

PHILIPS

LCD TV

Quick Use and Hookup Guide

CONTENTS

Important Notice/Warning	1	AV1 Input Connections	3
LCD Stand Assemble	1	Component Video Input Connections	3
Basic TV Operation	1	High Definition Input Connections	3
Remote Control Button Descriptions	1	PC (Monitor) Connection	4
Hooking up the Television		AV2 Input Connections	4
Remote Battery Installation	2	AV3 Input Connection	4
Basic Cable/Cable Box TV Connections	2	Monitor Output Connections	4
Basic Antenna TV Connections	2		

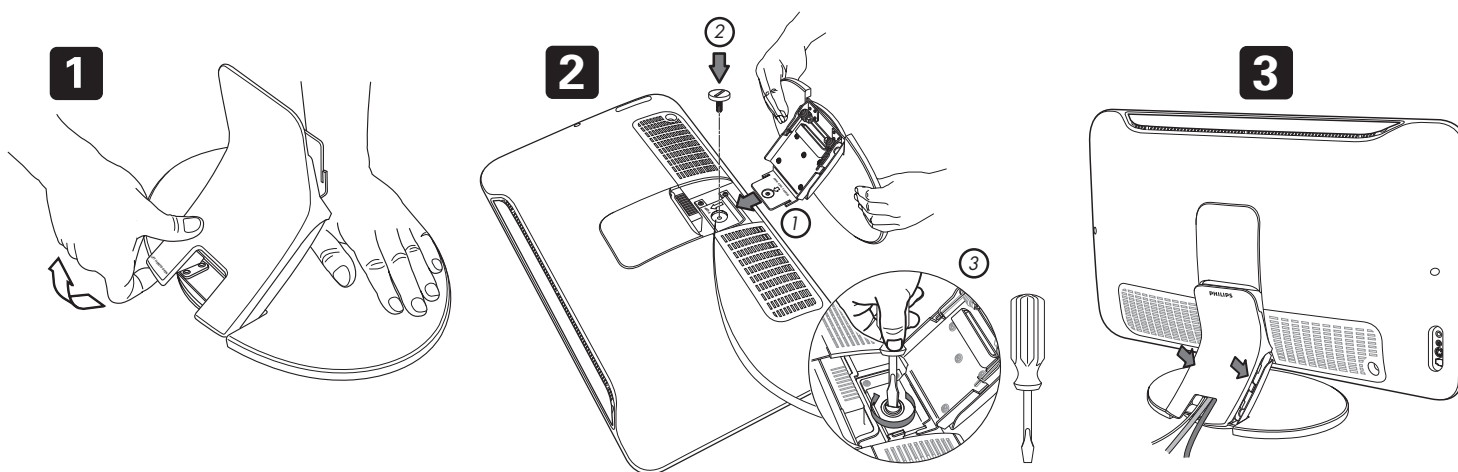
IMPORTANT

NOTE: This owner's manual is used with several different television models. Not all features (and drawings) discussed in this manual will necessarily match those found with your television set. This is normal and does not require that you contact your dealer or request service.

WARNING: TO PREVENT FIRE OR SHOCK HAZARD DO NOT EXPOSE THIS UNIT TO RAIN OR EXCESSIVE MOISTURE.

BASIC LCD TV OPERATION

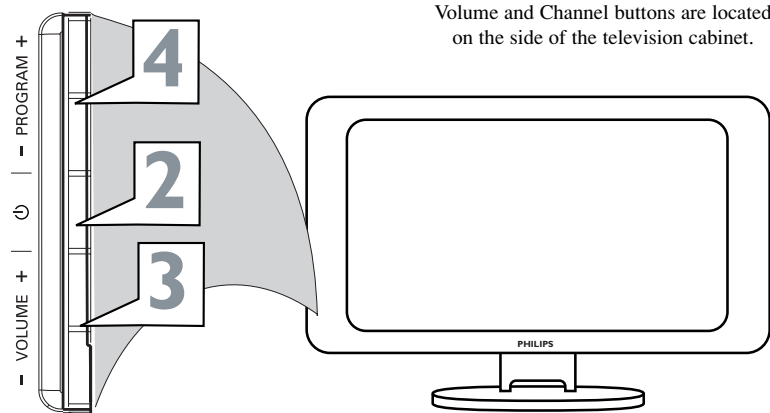
First, assemble the LCD TV using the steps below:



LCD TELEVISION

This LCD television has a set of controls located on the side of the cabinet for use when the remote control is not needed.

- 1 After you have connected the power cord to the TV and plugged the cord into a wall outlet, **press the POWER button** on the front of the TV cabinet to turn the TV ON.
- 2 Press the **VOLUME + button** to increase the sound level or the **VOLUME - button** to lower the sound level. Pressing both buttons at the same time will display the onscreen menu. After you are in the menu, use these buttons to make adjustments or selections.
- 3 Press the **PROGRAM + or - button** to select TV channels. Use these buttons to make adjustments or selections in the onscreen menu.



Volume and Channel buttons are located on the side of the television cabinet.

REMOTE CONTROL BUTTONS

- Power Button** - Press to turn the TV ON and OFF.
- Status/Exit Button** - Press to see the current channel number on the TV screen. Also press to clear the TV menu after control adjustments.
- Sleep Button** - Press to set the TV to automatically turn itself OFF at a given amount of time.
- Active Control** - Press to optimize the quality of the picture according to the quality of reception.
- TV Mode / Left Arrow button** - Press to directly enter TV mode. Also, press to rewind a video tape or CD/DVD disc during playback.
- Format Button** - Press to toggle the different screen format options.
- PC Mode / Right Arrow button** - Press to directly enter PC mode. Also, press to stop a video tape or CD/DVD disc during playback.
- Menu Button** - Press for the onscreen menu to appear. Pressing the menu button after menu selections are made will exit the menu from the TV screen.
- Mute Button** - Press to turn the TV sound OFF. Press again to return the sound to its previous level.
- Volume (+) or (-) Buttons** - Press to adjust the TV sound level.
- Auto Sound Button** - Press to select an AutoSound™ control. Choose from three factory-set controls (VOICE, MUSIC, and THEATRE) and a PERSONAL to tailor the TV sound to enhance the particular type of program you are watching.
- Number Buttons** - Press the number buttons for direct access to the TV channels. For a 2-digit channel, enter the 2nd digit before the dash disappears. For a 3-digit channel, enter the first digit followed the next 2 digits.
- AV+ (Source) Button** - Press and hold AV+ button and loop from AV1 (CVI), AV2, Rear, HD and PC to select the appropriate channel. Alternately, press AV+ button followed by the Number 1, 2, 3, 4 or 5. Number 1 allows you to select AV1 (CVI), Number 2 to select AV2 channel, Number 3 to select Rear channel, Number 4 to select HD and Number 5 to select PC.
- TV/DVD/AUX/ACC Select Button** - Press button repeatedly to select the required device mode to perform the activities for the selected device.
- PIP / Record Button** - When in TV mode, you can call up a PIP window for the PC. Likewise, when in PC mode, you can call up a PIP window for TV channels. When in VCR mode, press button to do recording.
- Pixel Plus / Pause Button** - When in TV mode, this button has no function. When in VCR/VCD/DVD mode, press button to do pause the programme you are watching. Press button again to release pause mode.
- HD (High Definition) Mode / Right Arrow button** - Press to directly enter Radio mode. Also, press to begin playback of a video tape or CD/DVD disc.
- CC Button** - Press to select Closed Captioning options within the menu.
- FM Radio Mode / Left Arrow button** - Press to directly enter Radio mode. Also, press to begin playback of a video tape or CD/DVD disc.
- Cursor Buttons (Left, Right, Up, Down)** - Press these buttons to highlight, select, and adjust items on the TV's onscreen menu.
- Program List / OK Button** - When in TV mode, press to display a list of channel numbers. Each channel will appear as a selectable menu item. When in Accessory mode, it confirms selections or adjustments in Accessory device.
- Channel (+) or (-) Buttons** - Press to access the next or previous channel.
- Auto Picture Button** - Press to select an AutoPicture™ control. Choose from four factory-set controls (MOVIES, SPORTS, WEAK SIGNAL, and MULTI MEDIA) and a PERSONAL control that you set according to your own preferences through the onscreen PICTURE menu. The four factory-set controls will tailor the TV picture so as to enhance the particular type of program you are watching, or to improve the picture of a program that has a weak signal.
- Surf Button** - Press to select previously viewed channels. You can place up to 10 channels in memory. Then by pressing the SURF button you can quickly view the select channels.

3139 125 31931

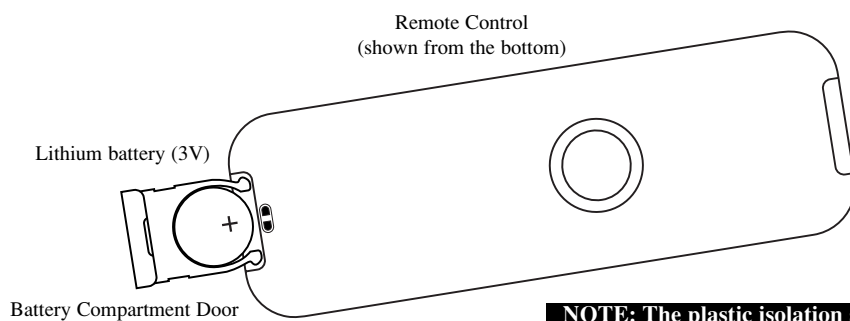


HOOKING UP THE TELEVISION

REMOTE CONTROL BATTERIES

To load the supplied batteries into the remote:

- 1 Remove the battery compartment door on the back of the remote.
- 2 After removing the plastic isolation sheet from the battery, place the battery (3V) in the remote. Be sure the (+) and (-) ends of the batteries line up correctly (the inside of the case is marked).
- 3 Reattach the battery compartment door.



Be sure to point the remote at the remote sensor window on the front of the television when using the remote control to operate the television

NOTE: The plastic isolation sheet must be removed for the remote control to function.

CABLE/CABLE BOX TV

Your Cable TV input into your home may be a single (75 ohm) cable or use a cable box decoder. In either case the connection is very simple. Follow the steps below to connect your cable signal to your new television.

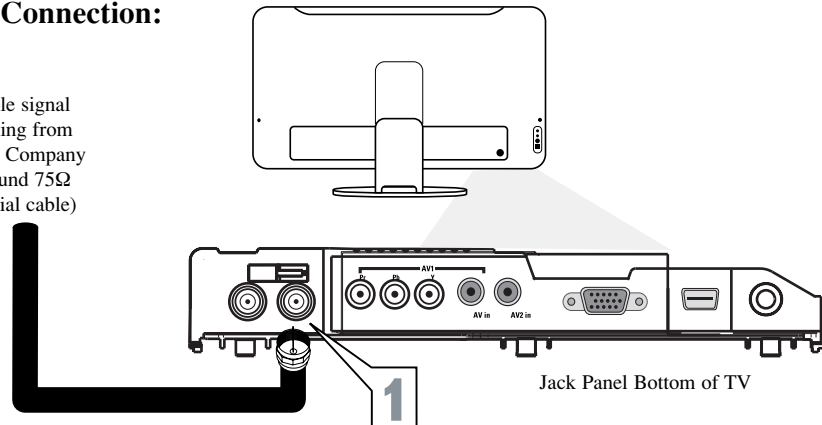
Direct Cable Connections:

This connection will supply Stereo sound to the TV.

- 1 Connect the open end of the round Cable Company supplied cable to the 75Ω input on the bottom of the TV. Screw it down finger tight.

Direct Cable Connection:

Cable signal coming from Cable Company (Round 75Ω coaxial cable)



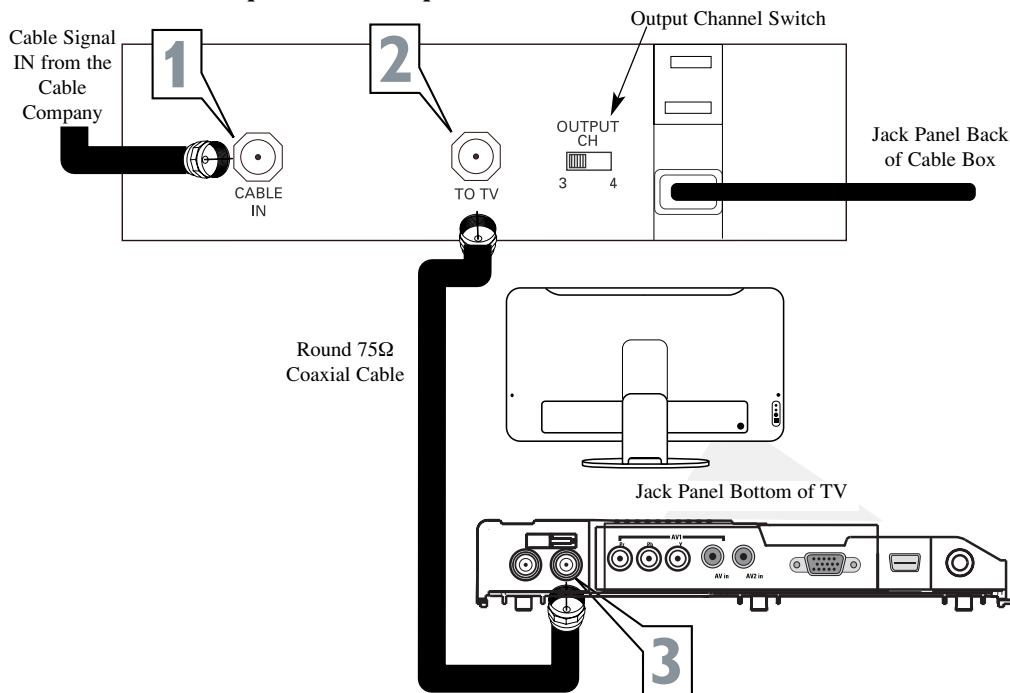
Cable Box (w/RF In/Outputs):

This connection will NOT supply Stereo sound to the TV. The sound from the cable box will be mono.

- 1 Connect the open end of the round Cable Company supplied cable to the cable signal IN(put) plug on the back of the Cable Box.
- 2 Using a separate round coaxial cable, connect one end to the OUT(put) (TO TV) plug on the back of the Cable Box.
- 3 Connect the other end of the round coaxial cable to the 75Ω input on the bottom of the television. Screw it down finger tight.

NOTE: Be sure to set the OUTPUT CHANNEL SWITCH on the back of the cable box to CH 3 or 4, then tune the cable box on the TV to the corresponding channel. Once tuned, change channels at the cable box, not the television.

Cable Box with RF Inputs and Outputs Connection:



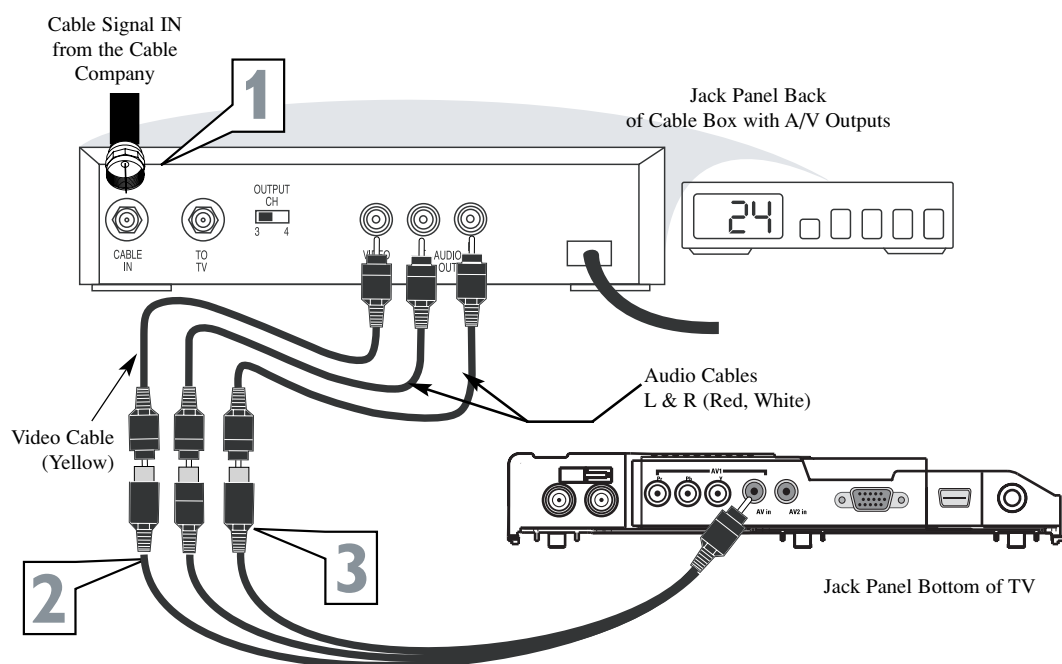
Cable Box (w/Audio/Video Outputs):

This connection will supply Stereo sound to the TV.

- 1 Connect the open end of the round Cable Company supplied cable to the cable signal IN(put) plug on the back of the Cable Box.
- 2 Using an RCA type Video Cable, connect one end of the cable to the Video (yellow) (or ANT, your cable box may be labeled differently) Out jack on the cable box and the other end to the Video end of the composite adapter included with the TV.
- 3 Using an RCA type Audio Left and Right Cable, connect one end to the left and right Audio Out L & R jacks (red & white) on the cable box. Connect the other ends to the Audio end of the composite adapter cable included with the TV. Connect the adapter into the AV In jack on the bottom of the TV.

NOTE: Use the AV+ button and the Number 1 button on the TV remote control to tune to the AV1 channel for the cable box signal. Once tuned, change channels at the cable box, not the television. Pressing the AV+ button repeatedly will scroll all the AV Input channels, including the presently tuned channel.

Cable Box with Audio/Video Outputs Connection:

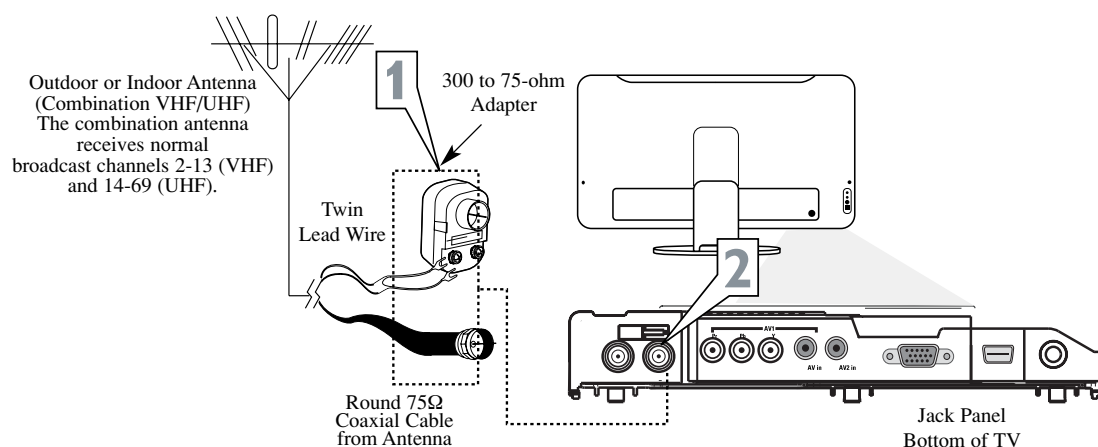


ANTENNA TV

A combination antenna receives normal broadcast channels (VHF 2-13 and UHF 14-69). Your connection is easy because there is only one 75Ω (ohm) antenna plug on the back of your TV, and that's where the antenna goes.

- 1 If your antenna has a round cable (75 ohm) on the end, then you're ready to connect it to the TV. If your antenna has flat, twin-lead wire (300 ohm), you first need to attach the antenna wires to the screws on a 300- to 75-ohm adapter.
- 2 Push the round end of the adapter (or antenna) onto the 75Ω (ohm) plug on the bottom of the TV. If the round end of the antenna wire is threaded, screw it down finger tight.

Antenna Connection:

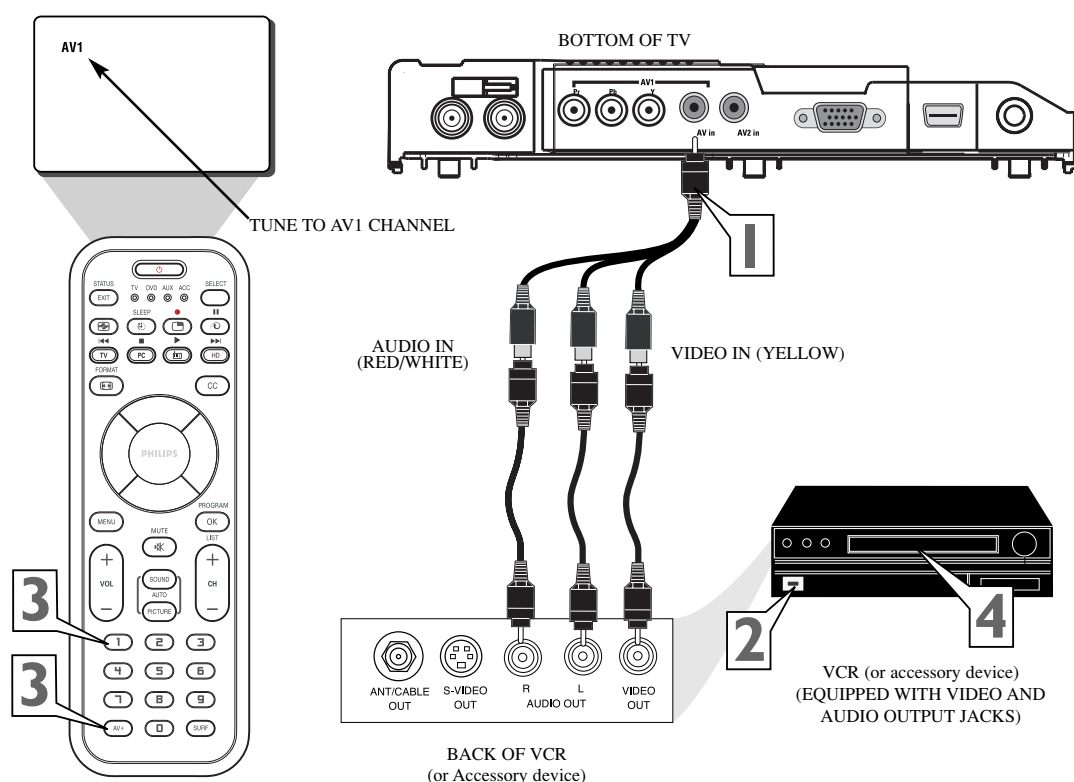


HOOKING UP THE TELEVISION

AVI INPUTS

The audio/video input jacks on the bottom panel of the TV are for direct picture and sound connections between the TV and a VCR (or similar device) that has audio/video output jacks.

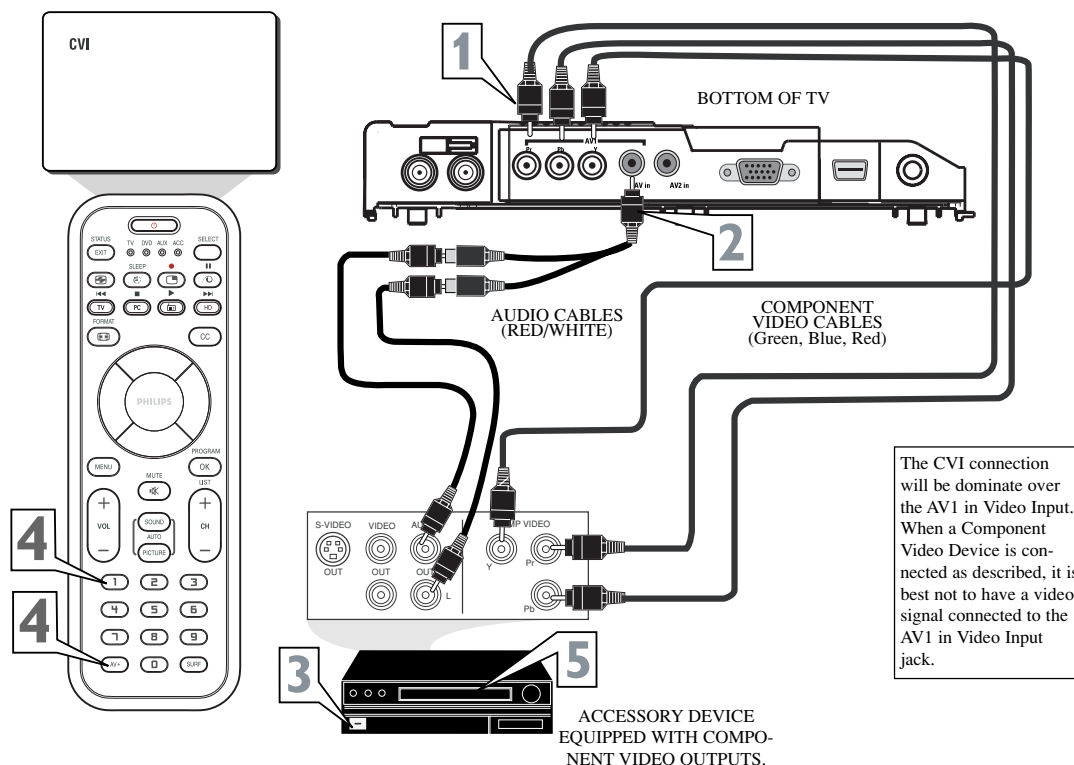
- 1 Connect the AV1 In(put) cable to one end of an RCA type VIDEO (yellow) cable to the supplied Audio/Video adapter. Connect the other end of the Adapter to the AV1 in jack on the bottom of the TV.
- 2 Connect the AV1 In(put) cable to one end of the RCA type AUDIO (red and white) cables to the supplied Audio/Video adapter.
- 3 Turn the VCR or accessory device and the TV On.
- 4 Press the AV+ button and the number 1 button on the remote control to select the AV1 channel for the accessory device. AV1 will appear in the upper left corner on the TV screen when tuned properly. You can also press and hold the AV+ button to toggle through the various channels until AV1 appears on the screen.
- 5 With the VCR (or accessory device) ON and a prerecorded tape (CD, DVD, etc.) inserted, press the PLAY button to view the tape on the television.



COMPONENT (CVI) INPUTS

Component Video inputs provide the highest possible color and picture resolution in the playback of digital signal source material, such as with DVD players.

- 1 Connect the Component (Y, Pb, Pr) Video OUT jacks from the DVD player (or similar device) to the COMP(onent) VIDEO Input (Y green, Pb blue, Pr red) jacks on the bottom of the TV. When using the Component Video Inputs, it is best not to connect a signal to the AV1 in Video Jack.
- 2 Connect the red and white AUDIO CABLES to the Audio (left and right) output jacks on the rear of the accessory device to the Audio Adapter supplied (L and R). Connect the adapter into the AV1 In Input Jacks on the TV.
- 3 Turn the TV and the DVD (or digital accessory device) ON.
- 4 Press the AV+ button and the Number 1 button on the remote control to select the CVI channel. CVI will appear in the upper left corner of the TV screen.
- 5 Insert a DVD disc into the DVD player and press the PLAY button on the DVD Player.



NOTE: When using additional accessories, only one external source will be audible, as there is only one AV1 Input jack.

HELPFUL HINT

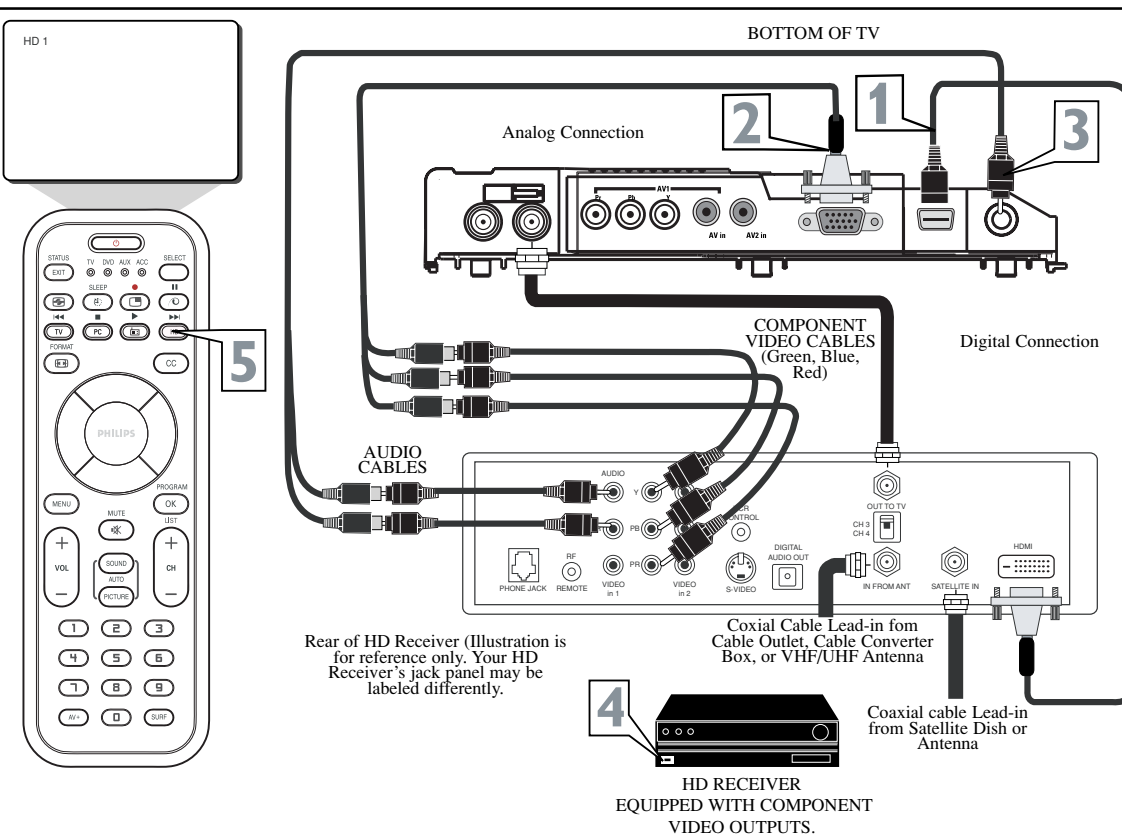
The description for the component video connectors may differ depending on the DVD player or accessory digital source equipment used (for example, Y, Pb, Pr; Y, B-Y, R-Y; Y, Cr, Cb). Refer to your DVD or digital accessory owner's manual for definitions and connection details.

HD (HIGH DEFINITION) INPUTS

If you are using a High Definition receiver that can transmit high definition programming, the TV can accept those signals through the HD Inputs located on the bottom of the TV.

- 1 For Digital Connection, connect the HDMI connector of the HD Receiver (or similar device) to the HDMI Input jacks on the bottom of the TV.
- OR
- 2 For Analog Connection, use Component Video cables to connect the Component (Y, Pb, Pr) Video Out jacks of the HD Receiver (or similar device) to the VGA adapter (supplied with the TV). Connect the other end of the adapter to the VGA Input jacks on the bottom of the TV.
- 3 Connect the red and white audio adapter to RCA type Audio Cables. Connect the audio adapter to the PC/HD Audio Input jack on the bottom of the TV.
- 4 Turn the TV and the HD Receiver ON.
- 5 Press the HD Mode button to set the TV into the HD Mode and tune to the HD signal.

Note: The Audio/Video cables needed for this connection are not supplied with your TV. Please contact your dealer or Philips at 800-531-0039 for information about purchasing the needed cables.



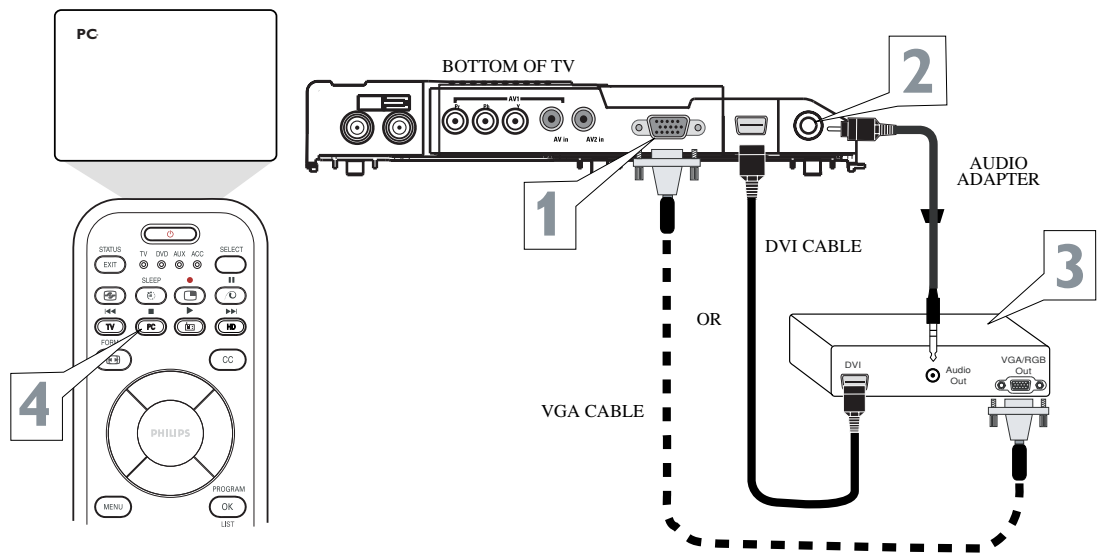
HOOKING UP THE TELEVISION

PC (MONITOR) INPUTS

This TV can be used as a PC Monitor. Your computer will have to be equipped with a VGA type video output and VGA cable.

- 1 Connect one end of the **VGA Video cable** to the Monitor (video) output on the computer to the PC Input (VGA) jack on the bottom of the TV. You can use the DVI cable if your computer has DVI capability.
- 2 Although audio connections are not required, the TV can reproduce the computers audio out by an **AUDIO ADAPTER** to the Audio output jack on the computer (if available) while connecting the other ends of the Audio cables to the Audio In left and right (PC/HD) Input Jacks on the bottom of the TV.
- 3 Turn the TV and the Computer ON.
- 4 Press the **PC Mode button** to set the TV into the HD Mode and tune to the computer's signal.

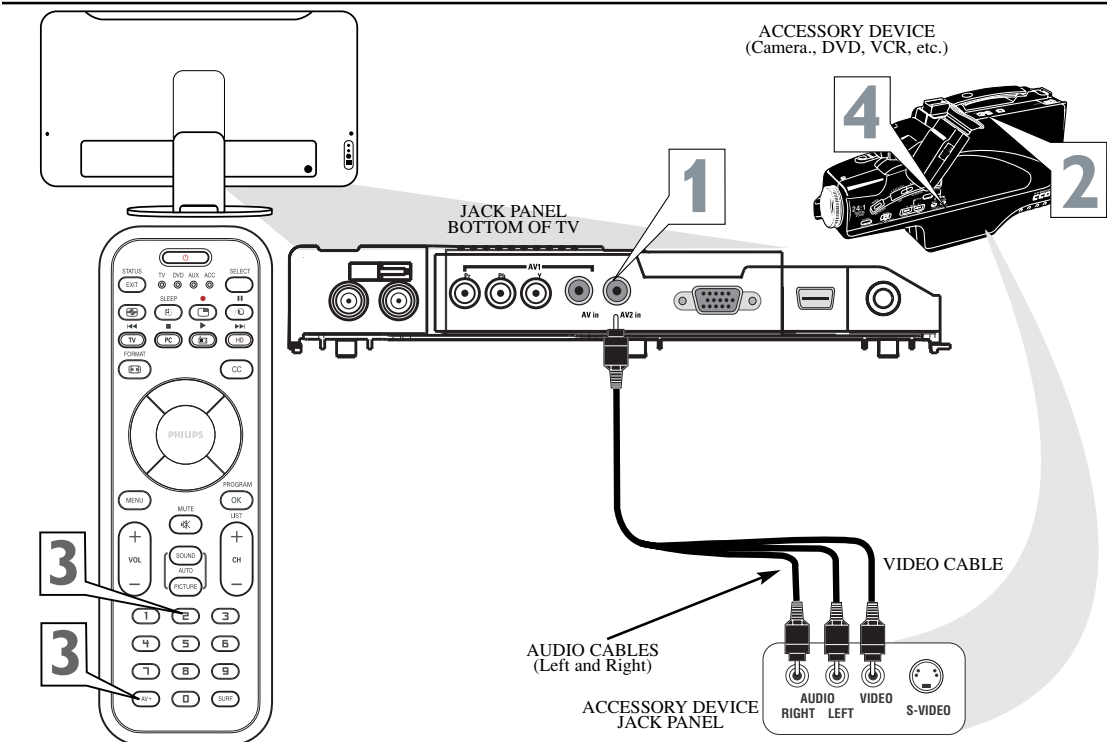
Note: Please contact your dealer or Philips at 800-531-0039 for information about purchasing the needed cables.



AV2 INPUTS

There are Audio/Video Input Jacks located on bottom of the TV can also be used for extra accessory device connections for items such as cameras or gaming stations.

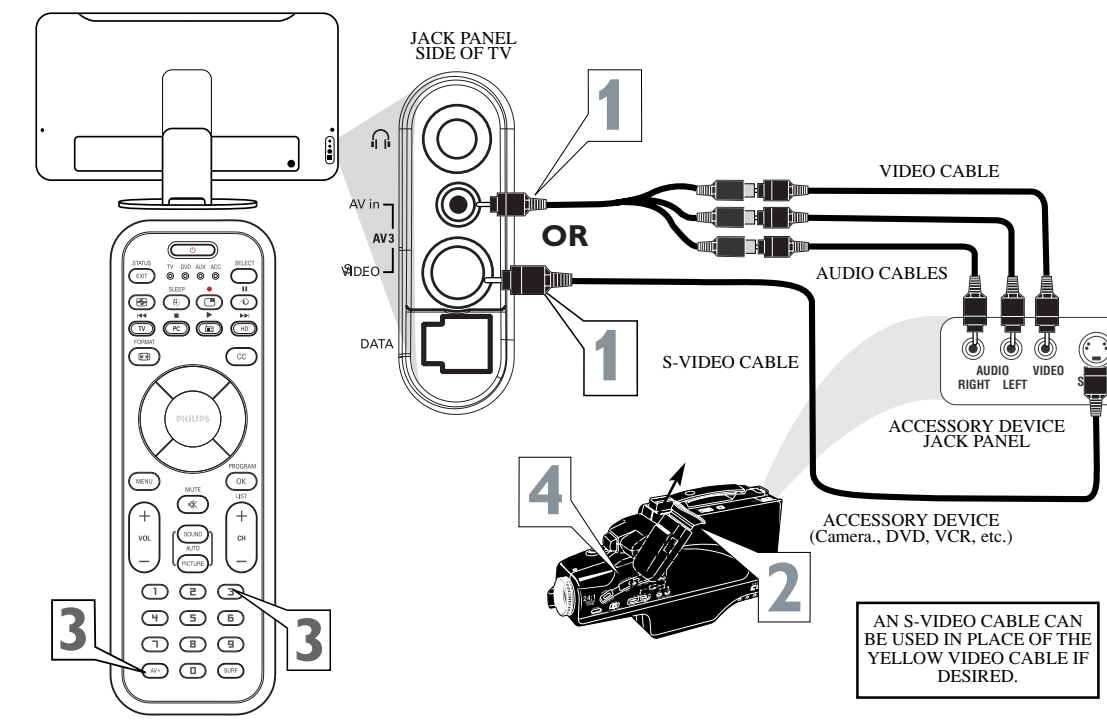
- 1 Connect the **VIDEO (yellow) adapter cable** to the VIDEO AV2 in jack on the left rear of the TV. Connect the other end of the VIDEO (yellow) cable to an RCA type VIDEO Cable. Connect that cable to the VIDEO OUT jack on the back of the accessory device being used. **Note:** An S-Video cable can be used in place of the yellow Video cable if your device is equipped with an S-Video Output. S-Video provides better video playback.
- 2 Connect the **AUDIO (red and white) adapter cable** to an RCA type Audio Cable. Connect the other ends of the AUDIO (red and white) cables to the AUDIO (left and right) OUT jacks on the rear of the accessory device being used.
- 3 Turn the accessory device and the TV ON.
- 4 Press the **AV+ button and the number 2 button** on the remote control to select the AV2 channel for the accessory device. AV2 will appear in the upper left corner on the TV screen when tuned properly. You can also press and hold the AV+ button to toggle through the various channels until AV2 appears on the screen.
- 5 With the accessory device ON, press the **PLAY button** to activate the playback on the television.



AV3 (SIDE) INPUTS

Much like the AV2 jacks, the AV3 jacks allow for extra accessory device connections for items such as cameras or gaming stations. The AV3 Input Jacks are located on the side of the TV.

- 1 Connect the **VIDEO (yellow) adapter cable** to the VIDEO AV3 in jack on the left rear of the TV. Connect the other end of the VIDEO (yellow) cable to an RCA type VIDEO Cable. Connect that cable to the VIDEO OUT jack on the back of the accessory device being used. **Note:** An S-Video cable can be used in place of the yellow Video cable if your device is equipped with an S-Video Output. S-Video provides better video playback.
- 2 Connect the **AUDIO (red and white) adapter cable** to an RCA type Audio Cable. Connect the other ends of the AUDIO (red and white) cables to the AUDIO (left and right) OUT jacks on the rear of the accessory device being used.
- 3 Turn the accessory device and the TV ON.
- 4 Press the **AV+ button and the number 3 button** on the remote control to select the AV3 channel for the accessory device. AV3 will appear in the upper left corner on the TV screen when tuned properly. You can also press and hold the AV+ button to toggle through the various channels until AV3 appears on the screen.
- 5 With the accessory device ON, press the **PLAY button** to activate the playback on the television.



AN S-VIDEO CABLE CAN BE USED IN PLACE OF THE YELLOW VIDEO CABLE IF DESIRED.

MONITOR OUTPUTS

The Monitor (Audio/Video) out jacks are great for recording with a VCR or used to connect an external audio system for better audio.

For Audio System Connection:

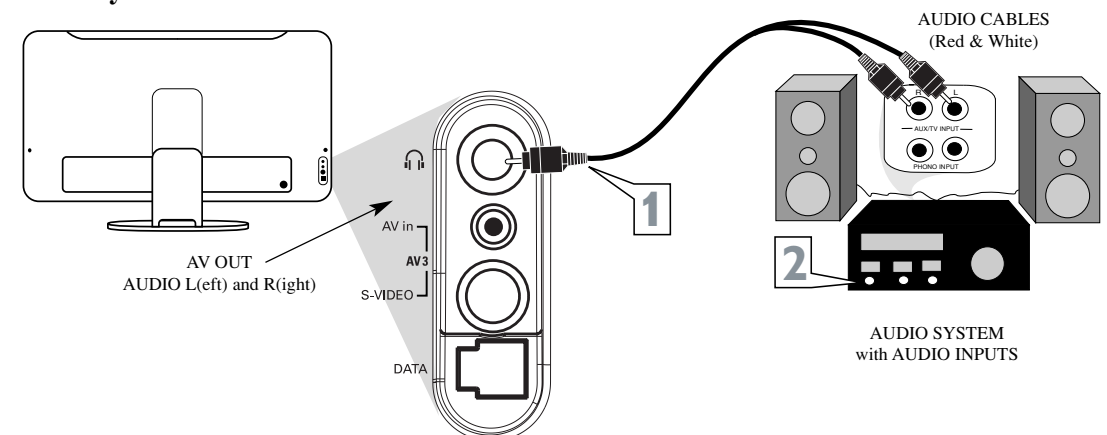
- 1 Connect one end of the **R(ight) and L(ef) AUDIO (Monitor Out)** jacks located on the right rear of the TV to the R and L audio input jacks on your sound system. Refer to the AUDIO OUT control within the *Directions for Use* for FIXED or VARIABLE settings.
- 2 Turn the TV and audio system ON. TV sound can be heard through the audio system

For Second VCR Connection/Recorder:

The following steps allow you to connect a VCR to record the program while your watching it.

- 3 Connect one end of the **yellow Video Cable** to the **Monitor out VIDEO OUT** plug on the left rear of the TV. Connect the other end to the VIDEO IN plug on the second VCR.
- 4 Connect one end of the **red and white Audio cable** from the **Monitor out L and R** plugs on the left rear of the TV to the AUDIO IN plugs on the VCR.
- 5 Turn the **VCR ON**, insert a black VHS tape and it's ready to record what's being viewed on the TV screen.

Audio System Connection:



Free Manuals Download Website

<http://myh66.com>

<http://usermanuals.us>

<http://www.somanuals.com>

<http://www.4manuals.cc>

<http://www.manual-lib.com>

<http://www.404manual.com>

<http://www.luxmanual.com>

<http://aubethermostatmanual.com>

Golf course search by state

<http://golfingnear.com>

Email search by domain

<http://emailbydomain.com>

Auto manuals search

<http://auto.somanuals.com>

TV manuals search

<http://tv.somanuals.com>