

Philips
plasma monitor

46"
WVGA

BDS4624R



High Quality Large Display

46" Wide VGA Plasma Monitor

An elegantly designed TV that you can hang on the wall is now a reality. This Flat TV delivers best-in-class picture quality for your home entertainment set up.

Better screen experience

- Turn your TV screen into a mosaic of different channels
- High speed colour rendering for natural colour reproduction
- High brightness (1000cd/m²) and 3000:1 contrast ratio
- De-contouring for better grey level display at low luminance
- 3D combfilter separates colours for a razor-sharp image

Operational flexibility

- HDTV Signal Compatible to display HDTV content
- Built-in audio amplifier with SRS and speakers
- Quiet and reliable fanless operation

Lower total cost of ownership

- Advanced anti burn-in functions to prevent ghost images

PHILIPS
sense and simplicity

Specifications

Picture/Display

- **Panel Size:** 46" / 117.8cm
- **Aspect ratio:** 16:9
- **Panel resolution:** wVGA (854 x 480 pixels)
- **Pixel pitch:** 1.182 x 1.182 mm
- **Brightness:** 1000 cd/m²
- **Contrast ratio (typical):** 3000:1
- **Display colours:** 16.7 million colours
- **Viewing angle:** 160° (H) / 160° (V)
- **Horizontal Scanning Frequency:** 30 - 91 kHz
- **Vertical Scanning Frequency:** 50 - 85 Hz
- **Picture enhancement:** 3/2 - 2/2 motion pull down, 3D combfilter, De-contouring, Picture in Picture

Supported Display Resolution

- **Computer formats**

Resolution	Refresh rate
640 x 480	60, 72, 75, 85 Hz
720 x 400	70Hz
800 x 600	56, 60, 72, 75, 85 Hz
1024 x 768	60, 70, 75, 85Hz
1024 x 768	60Hz
- **VGA 640 x 400:** 85 Hz
- **MAC 640 x 480:** 67 Hz
- **MAC 832 x 624:** 75 Hz
- **Video formats**

Resolution	Refresh rate
480i	60Hz
480p	60Hz
576i	50Hz
576p	50Hz
720p	50, 60Hz
1080i	60Hz
1080i	50Hz

Connectivity

- **PC:** DVI-D x1, VGA-in D-Sub 15HD, 3.5 mm PC audio input x1
- **AV input:** Composite (CVBS) x1, Component (YPbPr) x1, Scart 2x
- **Audio cinch out:** Analog audio output L/R
- **Audio input for video:** Audio Left/Right (RCA x 2)
- **Connectivity Enhancements:** External Loudspeaker connector

Tuner/Reception/Transmission

- **TV system:** PAL, PAL B/G, PAL D/K, PAL I, SECAM

Convenience

- **Picture in Picture:** Full dual screen (2 tuners), Picture in Picture All Inputs, Double window
- **Screen Format Adjustments:** Mosaic Screen, Continuous Zoom
- **Convenience Enhancements:** On-screen Display
- **Teletext:** 200 pages
- **OSD Languages:** English, French, German, Italian, Spanish
- **SRS sound processing**
- **Built-in Audio:** Built-in amplifier (2x10) and speakers
- **DPMS power saving system**
- **Screen saving functions:** Full white, image reverse, pixel shift
- **Regulatory Approvals:** CE Mark, FCC-B, UL, CSA

Power

- **Consumption:** 330 Watts (average)
- **Power supply:** 100-240VAC, 50/60Hz
- **Sleep Mode:** 5 Watts Max.

Dimensions

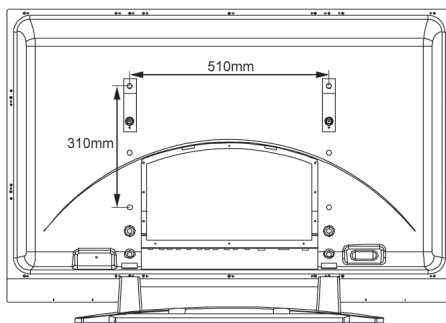
- **Dimensions (without base) (W x H x D):** 1138 x 691 x 98 mm
- **Weight:** 37 kg
- **Temperature range (operation):** 0°C to 40°C
- **Relative Humidity:** 20% - 80%
- **Lifetime to 50% brightness:** 30000 hr

Accessories

- **Included Accessories:** Table top stand, Remote control, Battery, S-video cable, AV cable, 3xRCA to 3x RCA, Audio Cable, VGA cable, AC Power Cord
- **User Guide on CD-ROM**
- **Optional accessories:** Ceiling mount, Flexible wall mount, Fixed wall mount, Speakers
- **User Manual:** Eng, Ger, Fre, Spa, Ita

Miscellaneous

- **Bezel:** Silver



Product highlights

Multiple PiP Modes

Multiple Picture-in-Picture modes allow you to simultaneously watch two video sources either picture-in-picture, side by side, or in a mosaic-view with still images.

High speed colour rendering

It is difficult to do the colour rendering for both NTSC and EBU colour space in conventional PDP. The built-in 12-bit high speed circuit brings pure, rich natural colour reproduction in both the NTSC and EBU colour space

High brightness & contrast

High brightness and contrast values are extremely beneficial in public environments where lighting conditions are variable and often beyond control.

De-contouring

Conventional PDP's often show contouring in lower grey levels because of insufficient grey level resolution. A proprietary technology has been implemented to minimise contouring resulting in better and smoother gradients.

3D Combfilter

The 3D comb filter separates brightness and colour signals better in 3D domain to eliminate cross-colour, cross-luminance and dot-crawl distortion - all of which detract from your viewing pleasure. The 3D digital comb filter performs field-by-field comparisons of the television image to accurately separate the colour from the black-and-white information and remove both horizontally and vertically hanging dots, as well as dot crawl. The result is a razor sharp image.

HDTV Signal Compatible

This display is capable of accepting 1080i and 720p HDTV signals via an external HDTV decoder with RGB or Components Video outputs

Built-in audio amp with SRS

If an application requires better sound quality, then this monitor provides SRS surround sound processing, built-in speakers and the ability to connect bigger external speakers

Fanless operation

A system without fans is quiet and doesn't collect dust inside the monitor. No moving parts inside the monitor will thus improve the reliability of the product.

Advanced anti burn-in function

A protective function called "pixel shift" has been implemented. When the protection mechanism is activated the screen image automatically shifts its pixel positions to prevent "image ghosting". Secondly, burn-in recovery has been implemented. Depending on the model, ghost images are removed by applying a full white signal on the whole panel for a certain amount of time or by reversing the image to achieve the same result.



Issue date 2007-11-09

Version: 6.0

12 NC: 8639 000 16532
EAN: 87 10895 91744 5

© 2007 Koninklijke Philips Electronics N.V.
All Rights reserved.

Specifications are subject to change without notice.
Trademarks are the property of Koninklijke Philips Electronics N.V. or their respective owners.

www.philips.com

Free Manuals Download Website

<http://myh66.com>

<http://usermanuals.us>

<http://www.somanuals.com>

<http://www.4manuals.cc>

<http://www.manual-lib.com>

<http://www.404manual.com>

<http://www.luxmanual.com>

<http://aubethermostatmanual.com>

Golf course search by state

<http://golfingnear.com>

Email search by domain

<http://emailbydomain.com>

Auto manuals search

<http://auto.somanuals.com>

TV manuals search

<http://tv.somanuals.com>