

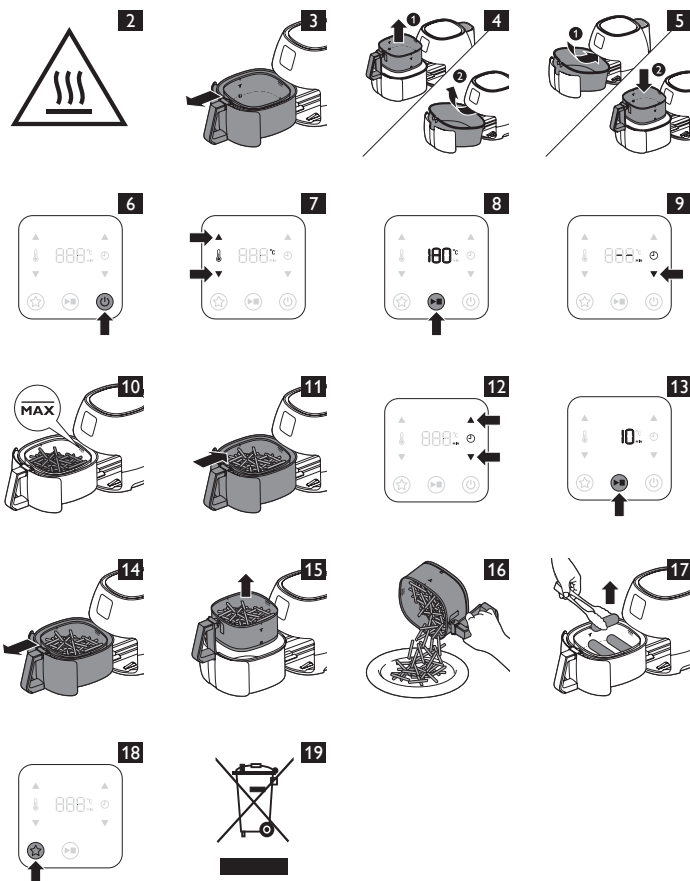
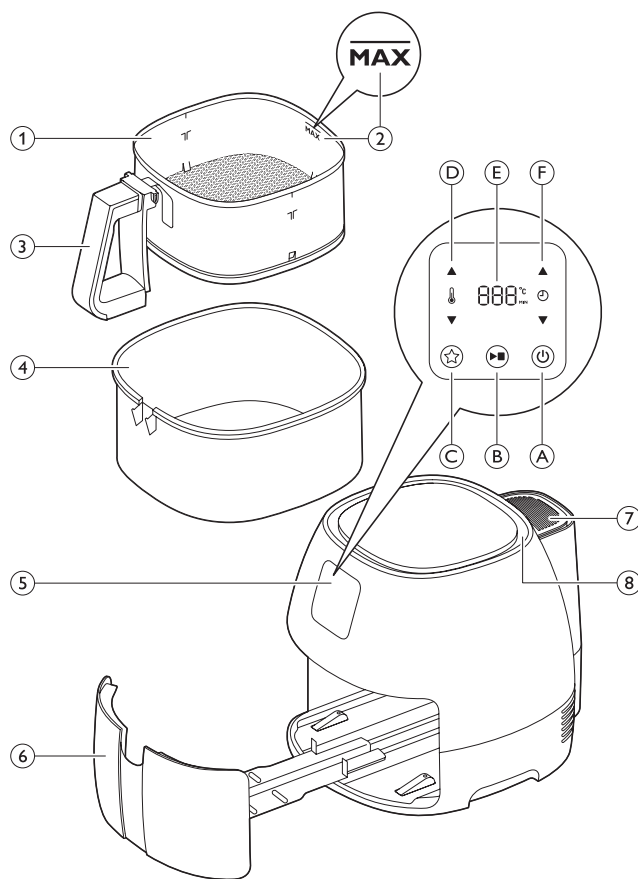


HD9240



User manual

PHILIPS



Introduction

Congratulations on your purchase and welcome to Philips! To fully benefit from the support that Philips offers, register your product at www.philips.com/welcome.

Your new airfryer allows you to prepare your favourite ingredients and snacks in a healthier way.

The airfryer uses hot air in combination with high-speed air circulation (Rapid Air) and a top grill to prepare a variety of tasty dishes in a healthy, fast and easy way. Your ingredients are heated from all sides at once and there is no need to add oil to most of the ingredients.

For more inspiration for recipes and information about the airfryer, visit www.philips.com/kitchen.

General description (Fig. 1)

- 1 Basket
- 2 MAX indication
- 3 Basket handle
- 4 Pan
- 5 Control panel
 - A Power on/off button
 - B START/STOP button
 - C Preset button
 - D Temperature increase and decrease buttons
 - E Time/temperature indication
 - F Timer increase and decrease buttons
- 6 Drawer
- 7 Air outlet openings
- 8 Air inlet

Important

Read this user manual carefully before you use the appliance and save it for future reference.

Danger

- Never immerse the housing, which contains electrical components and the heating elements, in water nor rinse it under the tap.
- Do not let any water or other liquid enter the appliance to prevent electric shock.
- Always put the ingredients to be fried in the basket, to prevent them from coming into contact with the heating elements.
- Do not cover the air inlet and the air outlet openings while the appliance is operating.
- Do not fill the pan with oil as this may cause a fire hazard.
- Never touch the inside of the appliance while it is operating.

Warning

- Check if the voltage indicated on the appliance corresponds to the local mains voltage before you connect the appliance.
- Do not use the appliance if the plug, the mains cord or the appliance itself is damaged.
- If the mains cord is damaged, you must have it replaced by Philips, a service centre authorised by Philips or similarly qualified persons in order to avoid a hazard.
- This appliance can be used by children aged from 8 years and above and by persons with reduced physical, sensory or mental capabilities or lack of experience and knowledge if they have been given supervision or instruction concerning use of the appliance in a safe way and if they understand the hazards involved.
- Cleaning and user maintenance shall not be made by children unless they are older than 8 and supervised.

- Keep the appliance and its cord out of the reach of children aged less than 8 years.
- Keep the mains cord away from hot surfaces.
- Do not plug in the appliance or operate the control panel with wet hands.
- Only connect the appliance to an earthed wall socket. Always make sure that the plug is inserted into the wall socket properly.
- This appliance is not intended to be operated by means of an external timer or a separate remote-control system.
- Do not place the appliance on or near combustible materials such as a tablecloth or curtain.
- Do not place the appliance against a wall or against other appliances. Leave at least 10cm free space at the back, on both sides and above the appliance. Do not place anything on top of the appliance.
- Do not use the appliance for any other purpose than described in this manual.
- Do not let the appliance operate unattended.
- During hot air frying, hot steam is released through the air outlet openings. Keep your hands and face at a safe distance from the steam and from the air outlet openings. Also be careful of hot steam and air when you pull the pan out of the appliance.
- The accessible surfaces may become hot during use (Fig. 2).
- Immediately unplug the appliance if you see dark smoke coming out of the appliance. Wait for the smoke emission to stop before you pull the pan out of the appliance.
- The pan becomes hot all over when it is used in the airfryer. Let the pan cool down before you handle it.

Caution

- Place the appliance on a horizontal, even and stable surface.
- This appliance is intended for normal household use only. It is not intended for use in environments such as staff kitchens of shops, offices, farms or other work environments. Nor is it intended to be used by clients in hotels, motels, bed and breakfasts and other residential environments.
- If the appliance is used improperly or for professional or semi-professional purposes or if it is not used according to the instructions in the user manual, the guarantee becomes invalid and Philips refuses any liability for damage caused.
- Always return the appliance to a service centre authorised by Philips for examination or repair. Do not attempt to repair the appliance yourself, otherwise the guarantee becomes invalid.
- Always unplug the appliance after use.
- Let the appliance cool down for approx. 30 minutes before you handle or clean it.
- Make sure the ingredients prepared in this appliance come out golden-yellow instead of dark or brown. Remove burnt remnants. Do not fry fresh potatoes at a temperature above 180°C (to minimise the production of acrylamide).

Automatic switch-off

This appliance is equipped with an automatic switch-off. If you do not press a button within 30 minutes, the appliance switches off automatically. To switch off the appliance manually, press the power on/off button.

Electromagnetic fields (EMF)

This Philips appliance complies with all standards regarding electromagnetic fields (EMF). If handled properly and according to the instructions in this user manual, the appliance is safe to use based on scientific evidence available today.

Before first use

- 1 Remove all packaging material.
- 2 Remove the foil from the control panel and any stickers or labels from the appliance.
- 3 Open the drawer by pulling at the handle. (Fig. 3)
- 4 Remove the basket by lifting the handle (1). To remove the pan, tilt it backwards and lift it off the rails (2). (Fig. 4)
- 5 Thoroughly clean the basket and pan with hot water, some washing-up liquid and a non-abrasive sponge.

Note: You can also clean these parts in the dishwasher.

- 6 Wipe the inside and outside of the appliance with a moist cloth.
- 7 Place the pan in the drawer (1) and put the basket in the pan (2) (Fig. 5).
- 8 Slide the drawer back into the airfryer by the handle.

Preparing for use

- 1 Place the appliance on a stable, horizontal and level surface.

Do not place the operating appliance on non-heat-resistant surfaces.

Do not place the operating appliance near or underneath objects that could be damaged by steam, such as walls and cupboards.

Note: Place the appliance on a worktop in such a way that the drawer can be opened completely.

- 2 Pull the mains cord out of the cord storage compartment at the back of the appliance.

This airfryer works on hot air. Do not fill the pan with oil, frying fat or any other liquid.

Do not put anything on top of the appliance. This disrupts the airflow and affects the hot air frying result.

Using the appliance

The airfryer can prepare a large range of ingredients. The recipe booklet included helps you get to know the appliance. You can find more recipes at www.philips.com/kitchen.

Preheating

- 1 Put the mains plug in an earthed wall socket.
- 2 Press the power on/off button to switch on the appliance. (Fig. 6)
 - ▶ The display shows the last selected temperature.
- 3 Press the temperature increase or decrease button to set the required temperature. See section 'Settings' in this chapter to determine the right temperature. (Fig. 7)

Tip: Press the increase or decrease button longer to put the temperature forward or backward more quickly.

Note: If you do not want to preheat, but want to start frying immediately, skip step 4 and follow the instructions in section 'Hot air frying' in this chapter.

- 4 Press the START/STOP button. (Fig. 8)
 - ▶ The appliance starts to heat up.
 - ▶ The set temperature flashes until the set temperature has been reached. Then the appliance beeps and the set temperature is displayed continuously. The appliance stops beeping if you set the required cooking time (see step 4 in section 'Hot air frying').

Note: You can also start the preheating process manually by setting the temperature and then pressing the timer decrease button until '- ' appears. (Fig. 9)

Hot air frying

- 1 Open the drawer by pulling at the handle. (Fig. 3)
- 2 Put the ingredients in the basket (Fig. 10).

Note: Never fill the basket beyond the MAX indication or exceed the amount indicated in the table (see section 'Settings' in this chapter), as this could affect the quality of the end result.

- 3 Slide the drawer back into the airfryer by the handle (Fig. 11).

Never use the pan without the basket in it. If you heat up the appliance without basket, use oven gloves to open the drawer. The edges and inside of the drawer become very hot.

Caution: Do not touch the pan during and some time after use, as it gets very hot.

- 4 Press the timer increase or decrease button to set the timer to the required cooking time. See section 'Settings' in this chapter to determine the correct cooking time. (Fig. 12)

Tip: Press the timer increase or decrease button longer to put the time forward or backward more quickly.

Note: If you have not preheated the appliance, add 3 minutes to the cooking time.

Note: If you do not set the required cooking time within 5 minutes, the appliance switches off automatically for safety reasons.

- 5 Press the START/STOP button to start the cooking process. (Fig. 13)
 - ▶ The display starts counting down the set cooking time.
 - ▶ Excess oil from the ingredients is collected on the bottom of the pan.

- 6 When the appliance starts to beep, the set cooking time has elapsed.

Note: You can also stop the cooking process manually. To do this, press the START/STOP button (Fig. 8).

- 7 Open the drawer by pulling at the handle and check if the ingredients are ready. (Fig. 14)

If the ingredients are not ready yet, simply slide the drawer back into the airfryer by the handle and add a few extra minutes to the set time.

- 8 To remove small ingredients (e.g. fries), lift the basket out of the pan by the handle. (Fig. 15)

After the cooking process, the pan, the basket and the ingredients are hot. Depending on the type of ingredients in the airfryer, steam may escape from the pan.

- 9 Empty the basket into a bowl or onto a plate. (Fig. 16)

Tip: To remove large or fragile ingredients, use a pair of tongs to lift the ingredients out of the basket (Fig. 17).

- 10 When a batch of ingredients is ready, the airfryer is instantly ready for preparing another batch.

Note: Repeat steps 1 to 9 if you want to prepare another batch.

Note: If you prepare another batch within 30 minutes, it is not necessary to preheat the appliance again.

- 11 Press the power on/off button to switch off the airfryer.

Preset button

You can program the appliance to prepare your favourite ingredients at a specific temperature for a specific length of time.

Note: The appliance can only memorise one temperature and one cooking time.

To set your favourite settings:

- 1 Press the power on/off button to switch on the appliance. (Fig. 6)
- 2 Press the preset button (star symbol). (Fig. 18)
 - ▶ The display shows the current saved settings.
- 3 Press the temperature increase or decrease button to set the desired temperature. (Fig. 7)
 - ▶ The star symbol starts flashing.
- 4 Press the timer increase or decrease button to set the desired time. (Fig. 12)
- 5 Press the preset button (star symbol). (Fig. 18)
 - ▶ You hear a beep and the star symbol lights up continuously to indicate that the settings have been saved.

From now on, the appliance memorises your favourite settings. Just press the preset button to recall the saved settings. Press the START/STOP button to start the program.

Note: If you want to change the saved settings, simply perform steps 1 to 5 again.

Settings

The table below helps you to select the basic settings for the ingredients you want to prepare.

Note: Keep in mind that these settings are indications. As ingredients differ in origin, size, shape as well as brand, we cannot guarantee the best setting for your ingredients.

Because the Rapid Air technology instantly reheats the air inside the appliance, pulling the pan briefly out of the appliance during cooking barely disturbs the process.

Tips

- Smaller ingredients usually require a slightly shorter cooking time than larger ingredients.
- A larger amount of ingredients only requires a slightly longer cooking time, a smaller amount of ingredients only requires a slightly shorter cooking time.
- Shake smaller ingredients halfway through the cooking time to redistribute them. This improves the end result and helps to prevent unevenly cooked ingredients.
- Add some oil to fresh potatoes for a crispy result. Fry your ingredients in the airfryer within a few minutes after you added the oil.
- Do not prepare extremely greasy ingredients such as sausages in the airfryer.
- Snacks that can be prepared in an oven can also be prepared in the airfryer.
- The optimal amount for preparing crispy fries is 750 grams.
- Use pre-made dough to prepare filled snacks quickly and easily. Pre-made dough also requires a shorter cooking time than home-made dough.
- Place a baking tray or oven dish in the airfryer basket if you want to bake a cake or quiche or if you want to fry fragile ingredients or filled ingredients.
- You can also use the airfryer to reheat ingredients. To reheat ingredients, set the temperature to 150°C for up to 10 minutes.

	Min-max amount (g)	Cooking time (min.)	Temperature (°C)	Shake	Extra information
--	--------------------	---------------------	------------------	-------	-------------------

Potatoes & fries

Thin frozen fries	300g-1000g	8-16	200	Shake	
Thick frozen fries	300g-1000g	13-19	200	Shake	
Home-made fries (8x8mm)	300g-1200g	20-30	180	Shake	add 1/2 tbsp of oil
Home-made potato wedges	300g-900g	18-24	180	Shake	add 1/2 tbsp of oil

Snacks

Spring rolls	100g-400g	7	200	Shake	Use oven-ready
Frozen chicken nuggets	400g	6	200	Shake	Use oven-ready
Frozen fish fingers	4-12	8-10	200		Use oven-ready
Roasted vegetables	750g	15	200		
Meat rolls	1-5	6	200		
Hamburger	100g - 400g	6-7	180		

Baking

Cake	500g	50	150		Use baking tray
Quiche	400g	20	190		Use baking tray/oven dish
Muffins	400g	15	180		Use baking tray

	Min-max Amount (g)	Cooking time (min.) at temperature (°C)
--	--------------------	---

Meat & poultry

Steak*	100g	5 at 180°C and 4 at 100°C
	600g	6 at 180°C and 4 at 100°C
Drumsticks*	1 (80g)	10 at 200°C and 10 at 150°C
	7 (600g)	10 at 200°C and 10 at 150°C
Chicken breast*	100g	8 at 140°C and 6 at 180°C
	800g	8 at 140°C and 8 at 180°C

*Always start cooking at the highest temperature and then continue at a lower temperature until done.

Note: When you use ingredients that rise (such as with cake, quiche or muffins) the baking tray should not be filled more than halfway.

Note: The cooking time does not include the time needed for preheating the appliance.

Making home-made fries

For the best results, we advise you to use pre-baked (e.g. frozen) fries. If you want to make home-made fries, follow the steps below.

- 1 Peel the potatoes and cut them into sticks.
 - 2 Soak the potato sticks in a bowl for at least 30 minutes, take them out and dry them with kitchen paper.
 - 3 Pour ½ tablespoon of olive oil in a bowl, put the sticks on top and mix until the sticks are coated with oil.
 - 4 Remove the sticks from the bowl with your fingers or a kitchen utensil so that excess oil stays behind in the bowl. Put the sticks in the basket.
- Note: Do not tilt the bowl to put all the sticks in the basket in one go, to prevent excess oil from ending up on the bottom of the pan.
- 5 Fry the potato sticks according to the instructions in this chapter.

Cleaning

Clean the appliance after every use. Remove oil from the bottom of the pan after each cooking process to prevent the development of smoke.

Open the drawer to let the airfryer cool down more quickly. Let the pan cool down before you remove it from the appliance.

The pan, basket and the inside of the appliance have a non-stick coating. Do not use metal kitchen utensils or abrasive cleaning materials to clean them, as this may damage the non-stick coating.

- 1 Remove the mains plug from the wall socket and let the appliance cool down.
- 2 Wipe the outside of the appliance with a moist cloth.

Note: Make sure no moisture remains behind on the control panel. Dry the control panel with a cloth after you have cleaned it.

- 3 Clean the pan and the basket with hot water, some washing-up liquid and a non-abrasive sponge.

You can use a degreasing liquid to remove any remaining dirt.

Note: The pan and basket are dishwasher-proof.

Tip: If dirt sticks to the basket or the bottom of the pan, fill the pan with hot water with some washing-up liquid. Put the basket in the pan and let the pan and the basket soak for approximately 10 minutes.

- 4 Clean the inside of the appliance with hot water and a non-abrasive sponge.
- 5 Clean the heating element with a cleaning brush to remove any food residues.

Storage

- 1 Unplug the appliance and let it cool down.
- 2 Make sure all parts are clean and dry.
- 3 Insert the cord into the cord storage compartment.

Ordering accessories

To purchase accessories for this appliance, please visit our online shop at www.shop.philips.com/service. If the online shop is not available in your country, go to your Philips dealer or a Philips service centre. If you have any difficulties obtaining accessories for your appliance, please contact the Philips Consumer Care Centre in your country. You find its contact details in the worldwide guarantee leaflet.

Environment

- Do not throw away the appliance with the normal household waste at the end of its life, but hand it in at an official collection point for recycling. By doing this, you help to preserve the environment (Fig. 19).

Guarantee and service

If you need service or information or if you have a problem, please visit the Philips website at www.philips.com/support or contact the Philips Consumer Care Centre in your country. You find its phone number in the worldwide guarantee leaflet. If there is no Consumer Care Centre in your country, go to your local Philips dealer.

Troubleshooting

This chapter summarises the most common problems you could encounter with the appliance. If you are unable to solve the problem with the information below, visit www.philips.com/support for a list of frequently asked questions or contact the Consumer Care Centre in your country.

Problem	Possible cause	Solution
The appliance does not work.	The appliance is not plugged in.	Put the mains plug in an earthed wall socket.
	The appliance is not switched on.	Press the power on/off button to switch on the appliance.
The ingredients fried with the appliance are not done.	The set temperature is too low.	Press the temperature increase button to set the required temperature (see section 'Settings' in chapter 'Using the appliance').
	The cooking time is too short.	Press the timer increase button to set the required cooking time (see section 'Settings' in chapter 'Using the appliance').
	The amount of ingredients in the basket is too big.	Put smaller batches of ingredients in the basket. Smaller batches are fried more evenly. Do not exceed the MAX indication or the maximum amount in the table.
The ingredients are fried unevenly in the appliance.	Certain types of ingredients need to be shaken halfway through the cooking time.	Ingredients that lie on top of or across each other (e.g. fries) need to be shaken halfway through the cooking time. See section 'Settings' in chapter 'Using the appliance'.
Fried snacks are not crispy when they come out of the appliance.	You used a type of snacks meant to be prepared in a traditional deep fryer.	Use oven snacks or lightly brush some oil onto the snacks for a crispier result.
I cannot slide the drawer into the appliance properly.	There are too many ingredients in the basket.	Do not fill the basket beyond the MAX indication.
	The pan and the basket are not placed correctly.	Make sure the pan and basket are placed correctly.
White smoke comes out of the appliance.	You are preparing greasy ingredients.	When you fry greasy ingredients in the appliance, a large amount of oil will leak into the pan. The oil produces white smoke and the pan may heat up more than usual. This does not affect the appliance or the end result.
	The pan still contains grease residues from previous use.	White smoke is caused by grease heating up in the pan. Make sure you clean the pan properly after each use.
Fresh fries are fried unevenly in the appliance.	You did not soak the potato sticks properly before you fried them.	Soak the potato sticks in a bowl for at least 30 minutes, take them out and dry them with kitchen paper.
	You did not use the right potato type.	Make sure you use fresh potatoes and a firm type of potatoes.
Fresh fries are not crispy when they come out of the appliance.	The crispiness of the fries depends on the amount of oil and water in the fries.	Make sure you dry the potato sticks properly before you add the oil. Cut the potato sticks smaller and add slightly more oil for a crispier result.
The message 'Er' appears on the display.	An error has occurred.	Have the appliance checked by a service centre authorised by Philips.
The time and temperature indications change automatically, even though I do not press any buttons.	There is moisture on the control panel.	Make sure you dry the control panel with a cloth after you have cleaned it.

FRANÇAIS

Introduction

Félicitations pour votre achat et bienvenue dans l'univers Philips ! Pour profiter pleinement de l'assistance Philips, enregistrez votre produit sur le site à l'adresse suivante : www.philips.com/welcome.

Votre nouvelle friteuse airfryer vous permet de préparer vos plats et en-cas préférés de façon plus saine.

La friteuse airfryer utilise de l'air chaud en association avec une circulation d'air rapide (Rapid Air) et est équipée d'une grille supérieure pour préparer une foule de plats savoureux d'une manière saine, rapide et facile. Les aliments sont cuits uniformément en une seule fois et il n'est pas nécessaire d'ajouter de l'huile pour cuire la plupart d'entre eux.

Pour obtenir plus d'informations sur la friteuse airfryer ainsi que des idées de recettes, visitez le site www.philips.com/kitchen.

Description générale (fig. 1)

- 1 Panier
- 2 Niveau MAX
- 3 Poignée du panier
- 4 Cuve
- 5 Bloc de commande
 - A Bouton marche/arrêt
 - B Bouton START/STOP
 - C Bouton de présélection
 - D Boutons d'augmentation et de diminution de la température
 - F Indication du temps / de la température
 - F Boutons d'augmentation et de diminution du minuteur
- 6 Tiroir
- 7 Sorties d'air
- 8 Entrée d'air

Important

Lisez attentivement ce mode d'emploi avant d'utiliser l'appareil et conservez-le pour un usage ultérieur.

Danger

- Ne plongez jamais dans l'eau le corps de la friteuse qui contient des composants électriques et la résistance et ne le passez jamais sous le robinet.
- Veillez à ne pas faire pénétrer d'eau ou d'autres liquides dans la friteuse afin d'éviter tout risque d'électrocution.
- Mettez toujours les aliments à frire dans le panier, afin d'éviter qu'ils n'entrent en contact avec les résistances.
- Ne couvrez pas les entrées et sorties d'air pendant que l'appareil fonctionne.
- Ne remplissez pas la cuve d'huile afin d'éviter tout risque d'incendie.
- Ne touchez jamais l'intérieur de l'appareil pendant qu'il fonctionne.

Avertissement

- Avant de brancher l'appareil, vérifiez que la tension indiquée sur l'appareil correspond à la tension supportée par le secteur local.
- N'utilisez jamais l'appareil si la prise, le cordon d'alimentation ou l'appareil lui-même est endommagé.
- Si le cordon d'alimentation est endommagé, il doit être remplacé par Philips, par un Centre Service Agréé Philips ou par un technicien qualifié afin d'éviter tout accident.
- Cet appareil peut être utilisé par des enfants âgés de 8 ans ou plus, des personnes dont les capacités physiques, sensorielles ou intellectuelles sont réduites ou des personnes manquant d'expérience et de connaissances, à condition que ces enfants ou personnes soient sous surveillance ou qu'ils aient reçu des instructions quant à l'utilisation sécurisée de l'appareil et qu'ils aient pris connaissance des dangers encourus.

- Le nettoyage et l'entretien ne doivent pas être réalisés par des enfants sauf s'ils sont âgés de plus de 8 ans et sous surveillance.
- Tenez l'appareil et son cordon hors de portée des enfants de moins de 8 ans.
- Tenez le cordon d'alimentation à l'écart des surfaces chaudes.
- Ne branchez pas l'appareil et ne touchez pas au panneau de commande avec les mains humides.
- Branchez l'appareil sur une prise murale mise à la terre. Assurez-vous que la fiche est correctement insérée dans la prise.
- Cet appareil n'est pas destiné à être utilisé avec un minuteur externe ou un système de contrôle séparé.
- Ne placez jamais l'appareil sur des matériaux combustibles, comme une nappe ou des rideaux, ou à proximité de ce type de matériaux.
- Ne placez pas l'appareil contre un mur ou d'autres appareils. Laissez un espace libre d'au moins 10 cm derrière, de chaque côté et au-dessus de l'appareil. Ne placez aucun objet sur l'appareil.
- N'utilisez pas l'appareil dans un autre but que celui qui est indiqué dans ce manuel.
- Ne laissez jamais l'appareil fonctionner sans surveillance.
- Lors de la cuisson à l'air chaud, de la vapeur brûlante s'échappe des sorties d'air. Gardez les mains et le visage suffisamment éloignés des sorties d'air. Faites également attention à la vapeur et à l'air chaud lorsque vous sortez la cuve de l'appareil.
- Les surfaces accessibles peuvent chauffer lorsque l'appareil fonctionne (fig. 2).
- Débranchez tout de suite l'appareil si vous voyez de la fumée noire s'en échapper. Attendez que la fumée cesse pour sortir la cuve de l'appareil.
- La cuve chauffe partout lorsqu'elle est utilisée dans la friteuse airfryer. Laissez la cuve refroidir avant de la manipuler.

Attention

- Posez l'appareil sur une surface horizontale, plane et stable.
- Cet appareil est destiné à un usage domestique normal uniquement. Il n'est pas destiné à être utilisé dans des environnements tels que des cuisines destinées aux employés dans les entreprises, magasins et autres environnements de travail. Il n'est pas non plus destiné à être utilisé par des clients dans des hôtels, motels, chambres d'hôtes et autres environnements résidentiels.
- S'il est employé de manière inappropriée, à des fins professionnelles ou semi-professionnelles, ou en non-conformité avec les instructions du mode d'emploi, la garantie devient caduque et Philips décline toute responsabilité concernant les dégâts occasionnés.
- Confiez toujours l'appareil à un Centre Service Agréé Philips pour réparation ou vérification. N'essayez jamais de réparer l'appareil vous-même ; toute intervention par des personnes non qualifiées entraîne l'annulation de la garantie.
- Débranchez toujours l'appareil après utilisation.
- Laissez l'appareil refroidir pendant environ 30 minutes avant de le nettoyer ou le ranger.

- Assurez-vous que les aliments cuits dans l'appareil soient dorés et pas bruns ou noirs. Enlevez les résidus brûlés. Ne faites pas frire les pommes de terre crues à des températures supérieures à 180 °C (pour limiter la synthèse d'acrylamide).

Arrêt automatique

Cet appareil est équipé d'un dispositif d'arrêt automatique. Si vous n'appuyez pas sur l'un de ses boutons dans les 30 minutes, l'appareil s'éteint automatiquement. Pour éteindre l'appareil manuellement, appuyez sur le bouton marche/arrêt.

Champs électromagnétiques (CEM)

Cet appareil Philips est conforme à toutes les normes relatives aux champs électromagnétiques (CEM). Il répond aux règles de sécurité établies sur la base des connaissances scientifiques actuelles s'il est manipulé correctement et conformément aux instructions de ce mode d'emploi.

Avant la première utilisation

- 1 Retirez l'appareil de l'emballage.
- 2 Retirez le film du panneau de commande ainsi que tous les autocollants et étiquettes de l'appareil.
- 3 Ouvrez le tiroir en tirant sur la poignée. (fig. 3)
- 4 Enlevez le panier en soulevant la poignée (1). Pour enlever la cuve, inclinez-la en arrière et retirez-la des rails (2). (fig. 4)
- 5 Nettoyez soigneusement le panier et la cuve avec de l'eau chaude, du liquide vaisselle et une éponge non abrasive.

Remarque : Vous pouvez également nettoyer ces éléments au lave-vaisselle.

- 6 Essuyez l'extérieur et l'intérieur de l'appareil à l'aide d'un chiffon humide.
- 7 Placez la cuve dans le tiroir (1) et mettez le panier dans la cuve (2) (fig. 5).
- 8 Remplacez le tiroir dans la friteuse airfryer grâce à la poignée.

Avant utilisation

- 1 Posez l'appareil sur une surface horizontale, plane et stable.

Ne placez jamais l'appareil en marche sur une surface ne résistant pas à la chaleur.

Ne placez jamais l'appareil en marche à proximité ou en dessous d'objets qui pourraient être endommagés par la vapeur (murs, placards, etc.).

Remarque : Placez l'appareil sur un plan de travail de façon à ce que le tiroir puisse être complètement ouvert.

- 2 Retirez le cordon d'alimentation du compartiment de rangement à l'arrière de l'appareil.

Cette friteuse airfryer fonctionne avec de l'air chaud. Ne remplissez pas la cuve d'huile, de graisse ni d'aucun autre liquide.

Ne posez aucun objet sur l'appareil afin d'éviter d'entraver la circulation de l'air et de garantir un résultat de friture à l'air chaud optimal.

Utilisation de l'appareil

La friteuse airfryer permet de préparer une grande variété d'aliments. Le livret de recettes inclus vous permet de mieux connaître l'appareil. Vous trouverez d'autres recettes sur le site www.philips.com/kitchen.

Préchauffage

- 1 Branchez le cordon d'alimentation sur une prise secteur mise à la terre.
- 2 Appuyez sur le bouton marche/arrêt pour allumer l'appareil. (fig. 6)
 - L'écran indique la dernière température sélectionnée.
- 3 Appuyez sur le bouton d'augmentation ou de diminution de la température pour régler la température requise. Reportez-vous à la section « Réglages » de ce chapitre pour déterminer la température appropriée. (fig. 7)

Conseil : Maintenez le bouton d'augmentation ou de diminution enfoncé pour changer la température plus rapidement.

Remarque : Si vous ne voulez pas préchauffer, mais commencer à frire tout de suite, ignorez l'étape 4 et suivez les instructions de la section « Friture à l'air chaud » de ce chapitre.

- 4 Appuyez sur le bouton START/STOP. (fig. 8)
 - L'appareil commence à chauffer.

- 1 La température sélectionnée clignote jusqu'à ce qu'elle soit atteinte. L'appareil émet alors des bips et la température sélectionnée ne clignote plus. L'appareil cesse d'émettre des bips sonores si vous réglez le temps de cuisson nécessaire (reportez-vous à l'étape 4 de la section « Friture à l'air chaud »).

Remarque : Vous pouvez également démarrer le processus de préchauffage manuellement en réglant la température puis en appuyant sur le bouton de diminution du minuteur jusqu'à ce que « - » s'affiche. (fig. 9)

Friture à l'air chaud

- 1 Ouvrez le tiroir en tirant sur la poignée. (fig. 3)

- 2 Mettez les aliments dans le panier (fig. 10).

Remarque : Ne remplissez jamais le panier au-dessus de la mention MAX et ne dépassez pas la quantité indiquée dans le tableau de la section « Réglages » de ce chapitre, car cela peut avoir une influence sur la qualité de friture.

- 3 Remplacez le tiroir dans la friteuse airfryer grâce à la poignée (fig. 11).

N'utilisez jamais la cuve sans le panier à l'intérieur. Si vous chauffez l'appareil sans le panier, utilisez toujours des gants pour ouvrir le tiroir. Les bords et l'intérieur du tiroir deviennent très chauds.

Attention : Ne touchez pas la cuve pendant que l'appareil fonctionne ou refroidit, car elle est très chaude.

- 4 Appuyez sur le bouton d'augmentation ou de diminution du minuteur pour régler le temps de cuisson requis. Reportez-vous à la section « Réglages » de ce chapitre pour déterminer le temps de cuisson correct. (fig. 12)

Conseil : Maintenez le bouton d'augmentation ou de diminution du minuteur enfoncé pour changer plus rapidement.

Remarque : Si vous n'avez pas préchauffé l'appareil, ajoutez 3 minutes au temps de cuisson.

Remarque : Si vous ne réglez pas le temps de cuisson requis dans les 5 minutes, l'appareil s'éteint automatiquement pour des raisons de sécurité.

- 5 Appuyez sur le bouton START/STOP pour commencer la cuisson. (fig. 13)
 - 1 Le décompte du temps de cuisson commence sur l'écran.
 - 2 L'excédent d'huile est recueilli au fond de la cuve.

- 6 Lorsque l'appareil commence à émettre des bips, le temps de cuisson est terminé.

Remarque : Vous pouvez également arrêter la cuisson manuellement. Pour ce faire, appuyez sur le bouton START/STOP (fig. 8).

- 7 Ouvrez le tiroir en tirant sur la poignée et vérifiez que les aliments sont cuits. (fig. 14)

Si les aliments ne sont pas cuits, remettez le tiroir dans la friteuse airfryer en appuyant sur la poignée et ajoutez quelques minutes supplémentaires.

- 8 Pour sortir des aliments de petite taille, comme les frites, retirez le panier de la cuve par la poignée. (fig. 15)

Une fois la cuisson terminée, la cuve, le panier et les aliments sont brûlants. Selon le type d'aliments cuits dans la friteuse airfryer, de la vapeur peut s'échapper de la cuve.

- 9 Videz le panier dans un saladier ou un plat. (fig. 16)

Conseil : Pour sortir du panier les aliments épais ou fragiles, utilisez des pinces (fig. 17).

- 10 Lorsqu'un panier d'aliments est cuit, vous pouvez immédiatement en faire cuire un autre dans la friteuse airfryer.

Remarque : Répétez les étapes 1 à 9 si vous voulez préparer une autre portion.

Remarque : Si vous préparez une autre portion dans les 30 minutes, il n'est pas nécessaire de préchauffer à nouveau l'appareil.

- 11 Appuyez sur le bouton marche/arrêt pour allumer la friteuse airfryer.

Bouton de présélection

Vous pouvez programmer l'appareil pour préparer vos aliments préférés à une température spécifique pendant une durée spécifique.

Remarque : L'appareil peut uniquement mémoriser une température et un temps de cuisson.

Pour définir vos réglages préférés :

- 1 Appuyez sur le bouton marche/arrêt pour allumer l'appareil. (fig. 6)

- 2 Appuyez sur le bouton de présélection (en forme d'étoile). (fig. 18)

1 L'écran affiche les réglages enregistrés actuels.

- 3 Appuyez sur le bouton d'augmentation ou de diminution de la température pour régler la température souhaitée. (fig. 7)

1 L'étoile commence à clignoter.

- 4 Appuyez sur le bouton d'augmentation ou de diminution du minuteur pour régler la durée souhaitée. (fig. 12)

- 5 Appuyez sur le bouton de présélection (en forme d'étoile). (fig. 18)

1 Lorsque vous entendez un bip et que vous ne voyez plus l'étoile clignoter, cela indique que les réglages ont été enregistrés.

L'appareil mémorise désormais vos réglages préférés. Appuyez simplement sur le bouton de présélection pour rappeler les réglages enregistrés.

Appuyez sur le bouton START/STOP pour démarrer le programme.

Remarque : Si vous souhaitez modifier les réglages enregistrés, recommencez les étapes 1 à 5.

Réglages

Le tableau ci-dessous vous aide à choisir les réglages de base pour certains aliments.

Remarque : N'oubliez pas que ces réglages sont donnés à titre d'indication. Étant donné que les aliments n'ont pas tous la même origine, la même taille ou même la forme et qu'ils sont de marques différentes, nous ne pouvons pas garantir le meilleur réglage pour leur cuisson.

Étant donné que la technologie Rapid Air réchauffe instantanément l'air dans la friteuse, sortir brièvement la cuve de la friteuse pendant la cuisson n'a que peu de conséquences sur la cuisson.

Conseils

- Les aliments de petite taille nécessitent généralement un temps de cuisson légèrement plus court que celui des aliments plus volumineux.
- Une plus grande quantité d'aliments nécessite un temps de cuisson légèrement plus long et une plus petite quantité d'aliments nécessite un temps de cuisson légèrement plus court.
- Mélangez les aliments de petite taille à mi-cuisson pour les répartir. Ceci améliore le résultat final et assure que les aliments sont cuits de manière uniforme.
- Ajoutez quelques gouttes d'huile aux pommes de terre crues pour qu'elles croustillent avant de les faire frire dans la friteuse airfryer.
- Ne cuisez pas des aliments trop gras comme les saucisses dans la friteuse airfryer.
- Les en-cas qui peuvent être cuits au four peuvent également être cuits dans la friteuse airfryer.
- La quantité idéale pour obtenir des frites croustillantes est de 750 grammes.
- Utilisez de la pâte toute prête pour préparer rapidement et facilement des en-cas fourrés. De plus, la pâte toute prête nécessite un temps de cuisson moins long que la pâte maison.
- Placez une plaque de cuisson ou un plat dans le panier de la friteuse airfryer si vous souhaitez cuire un gâteau ou une quiche ou si vous souhaitez frire des aliments délicats ou fourrés.
- Vous pouvez également utiliser la friteuse airfryer pour réchauffer des aliments. Pour cela, réglez la température sur 150 °C et le temps de cuisson sur 10 minutes au maximum.

	Quantité min-max (g)	Temps de cuisson (min)	Température (°C)	À mélanger	Informations supplémentaires
Pommes de terre et frites					
Frites surgelées fines	300 g - 1 000 g	8-16	200	À mélanger	
Frites surgelées épaisses	300 g - 1 000 g	13-19	200	À mélanger	
Frites maison (8 x 8 mm)	300 g - 1 200 g	20-30	180	À mélanger	ajouter 1/2 cuil. à soupe d'huile
Frites maison épaisses	300 g - 900 g	18-24	180	À mélanger	ajouter 1/2 cuil. à soupe d'huile

	Quantité min-max (g)	Temps de cuisson (min)	Température (°C)	À mélanger	Informations supplémentaires
En-cas					
Rouleaux de printemps	100 g - 400 g	7	200	À mélanger	Utiliser des nuggets prêts à cuire
Nuggets de poulet surgelés	400 g	6	200	À mélanger	Utiliser des nuggets prêts à cuire
Bâtonnets de poisson surgelés	4-12	8-10	200		Utiliser des nuggets prêts à cuire
Légumes rôtis	750 g	15	200		
Friands à la viande	1-5	6	200		
Hamburger	100 g - 400 g	6-7	180		

Cuisson

Gâteaux	500 g	50	150		Utilisez la plaque de cuisson.
Quiche	400 g	20	190 g		Utilisez la plaque de cuisson ou un plat
Muffins	400 g	15	180		Utilisez la plaque de cuisson.

	Quantité Min-max (g)	Temps de cuisson (min) à la température (°C)
Viande et volaille		
Steak*	100 g	5 à 180 °C et 4 à 100 °C
	600 g	6 à 180 °C et 4 à 100 °C
Pilons de poulet*	1 (80 g)	10 à 200 °C et 10 à 150 °C
	7 (600 g)	10 à 200 °C et 10 à 150 °C
Blanc de poulet*	100 g	8 à 140 °C et 6 à 180 °C
	800 g	8 à 140 °C et 8 à 180 °C

* Commencez toujours par cuisiner à la température la plus élevée, puis continuez à une température plus basse jusqu'à la fin.

Remarque : Lorsque vous utilisez des ingrédients susceptibles de gonfler (pour des gâteaux, des quiches ou des muffins par exemple), ne remplissez la plaque de cuisson qu'à moitié.

Remarque : Le temps de cuisson n'inclut pas le temps nécessaire au préchauffage de l'appareil.

Frites maison

Pour obtenir des résultats optimaux, nous vous conseillons d'utiliser des frites pré-cuites (surgelées par ex.). Pour préparer des frites maison, suivez les étapes ci-dessous.

- 1 Épluchez les pommes de terre et coupez-les en bâtonnets.
- 2 Trempez les bâtonnets de pommes de terre dans un bol pendant au moins 30 minutes, puis séchez-les avec de l'essuie-tout.
- 3 Versez ½ cuillère à soupe d'huile d'olive dans un saladier, puis ajoutez-y les pommes de terre coupées et mélangez jusqu'à ce qu'elles soient enrobées d'huile.

- 4 Sortez les pommes de terre du saladier avec les mains ou un ustensile pour que l'excès d'huile reste dans le saladier. Mettez-les ensuite dans le panier.

Remarque : Ne versez pas directement les pommes de terre dans le panier afin d'éviter qu'une trop grande quantité d'huile soit recueillie au fond de la cuve pendant la cuisson.

- 5 Faites cuire les frites selon les instructions fournies dans ce chapitre.

Nettoyage

Nettoyez l'appareil après chaque utilisation. Enlevez l'huile du fond de la cuve après chaque cuisson pour empêcher la formation de fumée.

Ouvrez le tiroir pour que la friteuse airfryer refroidisse plus rapidement. Laissez la cuve refroidir avant de l'enlever de l'appareil.

La cuve, le panier et l'intérieur de l'appareil ont un revêtement antiadhésif. N'utilisez pas d'ustensiles métalliques ou de produits nettoyants abrasifs pour les nettoyer afin d'éviter d'endommager le revêtement antiadhésif.

- 1 Débranchez l'appareil de la prise secteur et laissez-le refroidir.

- 2 Essuyez l'extérieur de l'appareil à l'aide d'un chiffon humide.

Remarque : Assurez-vous que le panneau de commande est parfaitement sec. Séchez le panneau de commande avec un chiffon après l'avoir nettoyé.

- 3 Nettoyez la cuve et le panier avec de l'eau chaude, du liquide vaisselle et une éponge non abrasive.

Vous pouvez utiliser un produit dégraissant pour éliminer les résidus restants.

Remarque : La cuve et le panier peuvent être nettoyés au lave-vaisselle.

Conseil : Si des résidus adhèrent au panier ou au fond de la cuve, remplissez la cuve d'eau chaude et de liquide vaisselle. Mettez le panier dans la cuve et laissez-les tremper pendant environ 10 minutes.

- 4 Nettoyez l'intérieur de l'appareil avec de l'eau chaude et une éponge non abrasive.

- 5 Nettoyez l'élément chauffant avec une brosse de nettoyage pour éliminer les résidus de nourriture.

Rangement

- 1 Débranchez l'appareil et laissez-le refroidir.

- 2 Assurez-vous que toutes les parties sont propres et sèches.

- 3 Rangez le cordon dans son compartiment.

Commande d'accessoires

Pour acheter des accessoires pour cet appareil, rendez-vous sur notre boutique en ligne à l'adresse www.shop.philips.com/service. Si la boutique en ligne n'est pas disponible dans votre pays, contactez votre revendeur Philips ou un Centre Service Agréé Philips. Si vous rencontrez des problèmes pour vous procurer des accessoires pour votre appareil, contactez le Service Consommateurs Philips de votre pays. Vous en trouverez les coordonnées dans le dépliant de garantie internationale.

Environnement

- Lorsqu'il ne fonctionnera plus, ne jetez pas l'appareil avec les ordures ménagères, mais déposez-le à un endroit assigné à cet effet, où il pourra être recyclé. Vous contribuerez ainsi à la protection de l'environnement (fig. 19).

Garantie et service

Si vous souhaitez obtenir des informations supplémentaires, faire réparer l'appareil ou si vous rencontrez un problème, rendez-vous sur le site Web de Philips à l'adresse www.philips.com/support ou contactez le Service Consommateurs Philips de votre pays. Vous trouverez le numéro de téléphone correspondant sur le dépliant de garantie internationale. S'il n'existe pas de Service Consommateurs Philips dans votre pays, renseignez-vous auprès de votre revendeur Philips local.

Dépannage

Cette rubrique présente les problèmes les plus courants que vous pouvez rencontrer avec votre appareil. Si vous ne parvenez pas à résoudre le problème à l'aide des informations ci-dessous, rendez-vous sur www.philips.com/support pour consulter les questions fréquemment posées, ou contactez le Service Consommateurs de votre pays.

Problème	Cause possible	Solution
L'appareil ne fonctionne pas.	L'appareil n'est pas branché.	Branchez le cordon d'alimentation sur une prise secteur mise à la terre.
	L'appareil n'est pas allumé.	Appuyez sur le bouton marche/arrêt pour allumer l'appareil.
Les aliments frits avec l'appareil ne sont pas assez cuits.	La température sélectionnée est trop basse.	Appuyez sur le bouton d'augmentation de température pour régler la température requise (voir la section « Réglages » du chapitre « Utilisation de l'appareil »).
	Le temps de cuisson n'est pas assez long.	Appuyez sur le bouton d'augmentation du minuteur pour régler le temps de cuisson requis (voir la section « Réglages » du chapitre « Utilisation de l'appareil »).
	La quantité d'aliments dans le panier est trop importante.	Mettez moins d'aliments dans le panier afin qu'ils cuisent de manière uniforme. Ne dépassez pas le niveau MAX ou la quantité maximale indiquée dans le tableau.
Les aliments ne sont pas frits de manière uniforme avec l'appareil.	Certains types d'aliments doivent être mélangés à mi-cuisson.	Pour une cuisson optimale de certains aliments, type frites, mélangez-les à mi-cuisson. Reportez-vous à la section « Réglages » du chapitre « Utilisation de l'appareil ».
Les en-cas ne sont pas croustillants après avoir été cuits dans l'appareil.	Vous avez utilisé un type d'en-cas qui doivent être cuits dans une friteuse traditionnelle.	Utilisez des en-cas destinés à une cuisson au four ou badigeonnez-les d'huile pour un résultat plus croustillant.
Je n'arrive pas à glisser correctement le tiroir dans l'appareil.	Vous avez mis trop d'aliments dans le panier.	Ne remplissez pas le panier au-dessus de la mention MAX.
	La cuve et le panier ne sont pas placés correctement.	Assurez-vous que la cuve et le panier sont placés correctement.
De la fumée blanche s'échappe de l'appareil.	Vous faites frire des aliments gras.	Lorsque des aliments gras sont cuits dans l'appareil, une grande quantité d'huile coule dans la cuve. L'huile produit de la fumée blanche et la cuve peut être plus chaude que d'habitude. Ceci n'a aucune conséquence sur l'appareil ou le résultat final.
	La cuve contient des résidus de graisse de l'utilisation précédente.	La cuisson d'aliments gras produit de la fumée blanche. Assurez-vous de nettoyer correctement la cuve après chaque utilisation.
Les frites maison ne sont pas cuites de manière uniforme dans l'appareil.	Vous n'avez pas correctement fait tremper les pommes de terre coupées avant de les faire frire.	Trempez les bâtonnets de pommes de terre dans un bol pendant au moins 30 minutes, puis séchez-les avec de l'essuie-tout.
	Vous n'avez pas utilisé la bonne variété de pommes de terre.	Veillez à utiliser des pommes de terre fraîches à chair ferme.
Les frites maison ne sont pas croustillantes après avoir été cuites dans l'appareil.	Le croustillant des frites dépend de la quantité d'huile utilisée et de l'humidité des pommes de terre.	Veillez à sécher correctement les pommes de terre coupées avant d'ajouter de l'huile. Coupez les pommes de terre en plus petits morceaux et ajoutez un peu plus d'huile pour un résultat plus croustillant.
Le message « Er » (Erreur) apparaît sur l'afficheur.	Une erreur est survenue.	Confiez l'appareil à un Centre Service Agréé Philips pour vérification.
Les indications de durée et de température changent automatiquement, alors que je n'appuie sur aucun bouton.	De la condensation s'est déposée sur le panneau de commande.	Veillez à sécher le panneau de commande avec un chiffon après l'avoir nettoyé.

NEDERLANDS

Inleiding

Gefeliciteerd met uw aankoop en welkom bij Philips! Als u volledig wilt profiteren van de ondersteuning die Philips biedt, registreer uw product dan op www.philips.com/welcome.

Met uw nieuwe airfryer bereidt u uw favoriete etenswaren en snacks op een gezondere manier.

De heteluchtfriteuse gebruikt hete lucht in combinatie met een snelle luchtcirculatie (Rapid Air) en een bovengrill om allerlei lekkere gerechten op een gezonde, snelle en eenvoudige manier te bereiden. Uw etenswaren worden gelijktijdig aan alle kanten verwarmd en aan de meeste etenswaren hoeft geen olie te worden toegevoegd.

Ga voor inspirerende recepten en informatie over de airfryer naar www.philips.com/kitchen.

Algemene beschrijving (fig. 1)

- 1 Mand
- 2 MAX-aanduiding
- 3 Handvat van mand
- 4 Pan
- 5 Bedieningspaneel
 - A Aan/uitknop
 - B START/STOP-knop
 - C Snelkeuzeknop
 - D Knoppen voor temperatuur verhogen/verlagen
 - E Tijd-/temperatuurindicatie
 - F Knoppen voor tijd verlengen/verkorten
- 6 Lade
- 7 Luchtuitletopeningen
- 8 Luchtinlaat

Belangrijk

Lees deze gebruiksaanwijzing zorgvuldig door voordat u het apparaat gaat gebruiken. Bewaar de gebruiksaanwijzing om deze zo nodig later te kunnen raadplegen.

Gevaar

- Dompel de behuizing van het apparaat, die elektrische onderdelen en de verwarmingselementen bevat, nooit in water en spoel de behuizing ook niet af onder de kraan.
- Zorg dat er geen water of een andere vloeistof in het apparaat terecht komt om een elektrische schok te voorkomen.
- Doe de etenswaren die u wilt bakken altijd in de mand om te voorkomen dat ze in contact komen met de verwarmingselementen.
- Bedek de luchtinlaat- en -uitletopeningen niet wanneer het apparaat in gebruik is.
- Vul de pan niet met olie, want dit kan brandgevaar veroorzaken.
- Raak nooit de binnenkant van het apparaat aan wanneer het is ingeschakeld.

Waarschuwing

- Controleer of het voltage dat wordt aangegeven op het apparaat, overeenkomt met de plaatselijke netspanning voordat u het apparaat aansluit.
- Gebruik het apparaat niet indien de stekker, het netsnoer of het apparaat zelf beschadigd is.
- Indien het netsnoer beschadigd is, moet u het laten vervangen door Philips, een door Philips geautoriseerd servicecentrum of personen met vergelijkbare kwalificaties om gevaar te voorkomen.
- Dit apparaat kan worden gebruikt door kinderen vanaf 8 jaar en door personen met verminderde lichamelijke, zintuiglijke of geestelijke capaciteiten of weinig ervaring en kennis, mits zij toezicht of instructie hebben ontvangen aangaande veilig gebruik van het apparaat, en zij de gevaren van het gebruik begrijpen.

- Reiniging en onderhoud mogen alleen door kinderen worden uitgevoerd die ouder zijn dan 8 en alleen onder toezicht.
- Houd het apparaat en het snoer buiten het bereik van kinderen die jonger zijn dan 8 jaar oud.
- Houd het netsnoer uit de buurt van hete oppervlakken.
- Steek de stekker niet in het stopcontact en bedien het bedieningspaneel niet als uw handen nat zijn.
- Sluit het apparaat alleen aan op een geaard stopcontact. Zorg er altijd voor dat de stekker goed in het stopcontact zit.
- Dit apparaat is niet bedoeld om bediend te worden met een externe timer of een afzonderlijk afstandsbedieningssysteem.
- Zet het apparaat niet op of in de buurt van brandbare materialen, zoals een tafelkleed of gordijnen.
- Plaats het apparaat niet tegen een muur of tegen andere apparaten aan. Laat ten minste 10 cm vrije ruimte over aan de achterzijde, aan beide zijanten en boven het apparaat. Plaats niets boven op het apparaat.
- Gebruik het apparaat niet voor andere doeleinden dan beschreven in deze gebruiksaanwijzing.
- Laat het apparaat nooit zonder toezicht werken.
- Tijdens het heteluchtfrituren komt hete stoom vrij door de luchtuitlaatopeningen. Houd uw handen en gezicht op veilige afstand van de stoom en van de luchtuitlaatopeningen. Pas ook op voor hete stoom en lucht wanneer u de pan uit het apparaat haalt.
- De aanraakbare oppervlakken kunnen tijdens gebruik heet worden (fig. 2).
- Haal onmiddellijk de stekker uit het stopcontact wanneer er donkere rook uit het apparaat komt. Wacht tot er geen rook meer uit het apparaat komt voordat u de pan uit het apparaat haalt.
- De pan wordt aan alle kanten heet wanneer deze in de airfryer wordt gebruikt. Laat de pan afkoelen voor u deze aanraakt.

Let op

- Plaats het apparaat op een horizontale, vlakke en stabiele ondergrond.
- Dit apparaat is uitsluitend bedoeld voor normaal huishoudelijk gebruik. Het apparaat is niet bedoeld voor gebruik in personeelskeukens van bijvoorbeeld winkels, kantoren, boerderijen of vergelijkbare werkomgevingen en ook niet voor gebruik door gasten van hotels, motels, bed & breakfasts en andere verblijfsaccommodaties.
- Bij (semi-)professioneel of onjuist gebruik en bij gebruik dat niet overeenkomt met de instructies in de gebruiksaanwijzing, vervalt de garantie en weigert Philips iedere aansprakelijkheid voor hierdoor ontstane schade.
- Breng het apparaat altijd naar een door Philips geautoriseerd servicecentrum voor onderzoek of reparatie. Probeer niet zelf het apparaat te repareren, omdat uw garantie hierdoor komt te vervallen.
- Haal na gebruik altijd de stekker uit het stopcontact.
- Laat het apparaat ongeveer 30 minuten afkoelen voordat u het aanraakt of schoonmaakt.

- Zorg ervoor dat etenswaren die in dit apparaat worden bereid, er goudgeel uit komen en niet donker of bruin. Verwijder verbrande deeltjes. Frituur verse aardappelen niet op een temperatuur hoger dan 180°C (om het ontstaan van acrylamide tot een minimum te beperken).

Automatische uitschakeling

Dit apparaat is voorzien van een functie voor automatische uitschakeling. Als u gedurende 30 minuten op geen enkele knop drukt, schakelt het apparaat automatisch uit. Om het apparaat handmatig uit te schakelen, drukt u op de aan/uitknop.

Elektromagnetische velden (EMV)

Dit Philips-apparaat voldoet aan alle richtlijnen met betrekking tot elektromagnetische velden (EMV). Mits het apparaat op de juiste wijze en volgens de instructies in deze gebruiksaanwijzing wordt gebruikt, is het veilig te gebruiken volgens het nu beschikbare wetenschappelijke bewijs.

Voor het eerste gebruik

- 1 Verwijder al het verpakkingsmateriaal.
- 2 Verwijder de folie van het bedieningspaneel en alle stickers of labels van het apparaat.
- 3 Open de lade door aan het handvat te trekken. (fig. 3)
- 4 Verwijder de mand door deze aan het handvat op te tillen (1). Om de pan te verwijderen, kantelt u deze achterover en tilt u deze van de rails af (2). (fig. 4)
- 5 Maak de mand en de pan grondig schoon met warm water, een beetje afwasmiddel en een niet-schurend sponsje.

Opmerking: U kunt deze onderdelen ook in de vaatwasmachine schoonmaken.

- 6 Veeg de binnen- en buitenzijde van het apparaat schoon met een vochtige doek.
- 7 Plaats de pan in de lade (1) en zet de mand in de pan (2) (fig. 5).
- 8 Schuif de lade aan het handvat terug in de airfryer.

Klaarmaken voor gebruik

- 1 Plaats het apparaat op een stabiele, horizontale en vlakke ondergrond.

Plaats het ingeschakelde apparaat niet op oppervlakken die niet hittebestendig zijn.

Plaats het ingeschakelde apparaat niet in de buurt van of onder voorwerpen die door stoom kunnen worden beschadigd, zoals muren en kastjes.

Opmerking: Plaats het apparaat zodanig op een aanrechtblad dat de lade volledig kan worden geopend.

- 2 Trek het netsnoer uit de snoeropberg ruimte aan de achterzijde van het apparaat.

Deze airfryer werkt op hete lucht. Vul de pan niet met olie, frituurvet of andere vloeistoffen.

Zet niets op het apparaat. Dit verstoort de luchtstroom en heeft een negatieve invloed op het heteluchtfrituren.

Het apparaat gebruiken

Met de airfryer kunt u een grote verscheidenheid aan etenswaren bereiden. Het bijgeleverde receptenboekje helpt u het apparaat te leren kennen. Meer recepten vindt u op www.philips.com/kitchen.

Voorverwarmen

- 1 Steek de stekker in een geaard stopcontact.
- 2 Druk op de aan/uitknop om het apparaat in te schakelen. (fig. 6)
 - Op het display verschijnt de laatst geselecteerde temperatuur.
- 3 Druk op de knoppen voor hogere of lagere temperatuur om de gewenste temperatuur in te stellen. Zie 'Standen' in dit hoofdstuk om de juiste temperatuur vast te stellen. (fig. 7)

Tip: Druk langer op de knoppen voor hogere of lagere temperatuur om sneller de gewenste temperatuurinstelling te bereiken.

Opmerking: Als u niet wilt voorverwarmen, maar meteen wilt beginnen met bakken, slaat u stap 4 over en volgt u de instructies in het gedeelte 'Heteluchtfrituren' in dit hoofdstuk.

- 4 Druk op de START/STOP-knop. (fig. 8)
 - Het apparaat begint op te warmen.

- De ingestelde temperatuur knippert tot de ingestelde temperatuur is bereikt. Dan piept het apparaat en wordt de ingestelde temperatuur ononderbroken weergegeven. Het apparaat stopt met piepen als u de gewenste bereidingstijd instelt (zie stap 4 in het gedeelte 'Heteluchtfrituren').

Opmerking: U kunt ook handmatig beginnen met het voorverwarmingsproces door de temperatuur in te stellen en dan op de knop voor het verkorten van de tijd te drukken totdat ' - ' verschijnt. (fig. 9)

Heteluchtfrituren

- 1 Open de lade door aan het handvat te trekken. (fig. 3)

- 2 Doe de etenswaren in de mand (fig. 10).

Opmerking: Vul de mand niet tot boven de MAX-aanduiding en overschrijd de hoeveelheden uit de tabel niet (zie 'Standen' in dit hoofdstuk). Doet u dit wel, dan heeft dit een negatieve invloed op het eindresultaat.

- 3 Schuif de lade aan het handvat terug in de airfryer (fig. 11).

Gebruik de pan nooit zonder mand. Als u het apparaat zonder mand opwarmt, gebruik dan ovenhandschoenen om de lade te openen.

De randen en binnenkant van de lade worden erg heet.

Let op: Raak de pan tijdens en een tijd na gebruik niet aan, omdat deze heel heet wordt.

- 4 Druk op de knoppen voor het verlengen of verkorten van de tijd om de timer op de gewenste bereidingstijd in te stellen. Zie 'Standen' in dit hoofdstuk om de juiste bereidingstijd vast te stellen. (fig. 12)

Tip: Druk langer op de knoppen voor het verlengen of verkorten van de tijd om sneller de gewenste timerinstelling te bereiken.

Opmerking: Als u het apparaat niet hebt voorverwarmd, voegt u 3 minuten aan de bereidingstijd toe.

Opmerking: Als u de noodzakelijke bereidingstijd niet binnen 5 minuten instelt, schakelt het apparaat automatisch uit om veiligheidsredenen.

- 5 Druk op de START/STOP-knop om het bereidingsproces te starten. (fig. 13)

- Op het display begint de ingestelde bereidingstijd af te tellen.
- Overtollige olie van de etenswaren wordt opgevangen op de bodem van de pan.

- 6 Wanneer het apparaat begint te piepen, is de ingestelde bereidingstijd verstreken.

Opmerking: U kunt het bereidingsproces ook handmatig stoppen. Om dit te doen, drukt u op de START/STOP-knop (fig. 8).

- 7 Open de lade door aan het handvat te trekken en controleer of de etenswaren klaar zijn. (fig. 14)

Als de etenswaren nog niet klaar zijn, schuift u eenvoudigweg de lade aan het handvat terug in de airfryer en voegt u wat extra minuten aan de ingestelde tijd toe.

- 8 Om kleine etenswaren (bijv. frites) te verwijderen, tilt u de mand aan het handvat uit de pan. (fig. 15)

Na het bereidingsproces zijn de pan, de mand en de etenswaren heet. Afhankelijk van het type etenswaren in de airfryer kan er stoom uit de pan ontsnappen.

- 9 Leeg de mand in een schaal of op een bord. (fig. 16)

Tip: Om grote of kwetsbare etenswaren uit de mand te verwijderen, kunt u het beste een tang gebruiken (fig. 17).

- 10 Zodra er een portie klaar is, is de airfryer direct klaar om een volgende portie te bereiden.

Opmerking: Herhaal stap 1 tot en met 9 als u nog een portie wilt bereiden.

Opmerking: Als u nog een portie bereidt binnen 30 minuten, is het niet nodig het apparaat opnieuw voor te verwarmen.

- 11 Druk op de aan/uitknop om de airfryer uit te schakelen.

Snelkeuzeknop

U kunt het apparaat programmeren om uw favoriete etenswaren op een specifieke temperatuur en gedurende een specifieke tijd te bereiden.

Opmerking: Er kunnen slechts één temperatuur en één bereidingstijd in het apparaat worden opgeslagen.

Om uw favoriete instellingen in te stellen:

- 1 Druk op de aan/uitknop om het apparaat in te schakelen. (fig. 6)

- 2 Druk op de snelkeuzeknop (het sterpictogram). (fig. 18)

- Het display toont de huidige opgeslagen instellingen.

- 3 Druk op de knoppen voor het verhogen of verlagen van de temperatuur om de gewenste temperatuur in te stellen. (fig. 7)

- Het sterpictogram begint te knippen.

- 4 Druk op de knoppen voor het verlengen of verkorten van de tijd om de gewenste tijd in te stellen. (fig. 12)

- 5 Druk op de snelkeuzeknop (het sterpictogram). (fig. 18)

- U hoort een piepje en het sterpictogram brandt ononderbroken om aan te duiden dat de instellingen zijn opgeslagen.

Vanaf nu onthoudt het apparaat uw favoriete instellingen. Druk eenvoudigweg op de snelkeuzeknop om de opgeslagen instellingen terug te roepen. Druk op de START/STOP-knop om het programma te laten beginnen.

Opmerking: Als u de opgeslagen instellingen wilt veranderen, herhaalt u gewoon weer stap 1 tot en met 5.

Standen

De onderstaande tabel vermeldt de basisstanden voor veelvoorkomende etenswaren.

Opmerking: De standen zijn slechts indicaties. Aangezien etenswaren verschillen in herkomst, grootte, vorm en merk, kunnen we niet de beste stand voor uw etenswaren garanderen.

Omdat de Rapid Air-technologie de lucht in het apparaat meteen opnieuw verwarmt, wordt de voortgang amper verstoord wanneer u tijdens het proces de pan kort uit het apparaat trekt.

Tips

- Over het algemeen hebben kleinere etenswaren een kortere bereidingstijd nodig dan grotere etenswaren.
- Voor een grotere portie is slechts een iets langere bereidingstijd nodig; voor een kleinere portie is slechts een iets kortere bereidingstijd nodig.
- Schud kleinere etenswaren halverwege de bereidingstijd om ze opnieuw te verspreiden. Dit verbetert het eindresultaat en helpt om ongelijk bereide etenswaren te voorkomen.
- Voeg voor een knapperig resultaat wat olie toe aan verse aardappelen. Frituur uw etenswaren in de airfryer binnen enkele minuten nadat u de olie hebt toegevoegd.
- Bereid geen zeer vette etenswaren zoals worstjes in de airfryer.
- Snacks die in een oven kunnen worden bereid, kunnen ook in de airfryer.
- De optimale hoeveelheid voor het verkrijgen van een krokant resultaat is 750 gram.
- Gebruik kant-en-klaardeeg als u snel en eenvoudig gevulde snacks wilt maken. Kant-en-klaardeeg heeft namelijk een kortere bereidingstijd nodig dan zelfgemaakt deeg.
- Plaats een bakschaal of ovenschaal in de mand van de airfryer als u een cake of quiche wilt bakken, of als u kwetsbare of gevulde etenswaren wilt frituren.
- U kunt de airfryer ook gebruiken om etenswaren in op te warmen. Stel de temperatuur hiervoor in op 150°C (max. 10 minuten).

	Min.-max. hoeveelheid (g)	Bereidingstijd (min.)	Temperatuur (°C)	Schud-den	Extra informatie
Aardappelen en frites					
Dunne bevroren frites	300 g - 1000 g	8-16	200	Schud-den	
Dikke bevroren frites	300 g - 1000 g	13-19	200	Schud-den	
Verse frites (8x8 mm)	300 g - 1200 g	20-30	180	Schud-den	voeg 1/2 eetlepel olie toe
Verse aardappel-schijfjes	300 g - 900 g	18-24	180	Schud-den	voeg 1/2 eetlepel olie toe
Snacks					
Loempia's	100 g - 400 g	7	200	Schud-den	Gebruik ovenklare
Diepvrieskipnuggets	400 g	6	200	Schud-den	Gebruik ovenklare
bevroren vissticks	4-12	8-10	200		Gebruik ovenklare
Geroosterde groenten	750 g	15	200		
Vleesbroodjes	1-5	6	200		
Hamburger	100 g - 400 g	6-7	180		

	Min.-max. hoeveelheid (g)	Bereidingstijd (min.)	Temperatuur (°C)	Schud-den	Extra informatie
--	---------------------------	-----------------------	------------------	-----------	------------------

Bakken

Cake	500 g	50	150		Gebruik bakschaal
Quiche	400 g	20	190		Gebruik bakschaal/ovenschaal
Muffins	400 g	15	180		Gebruik bakschaal

	Min.-max. hoeveelheid (g)	Bereidingstijd (min.) bij temperatuur (°C)
--	---------------------------	--

Vlees en gevogelte

Biefstuk*	100 g	5 bij 180 °C en 4 bij 100 °C
	600 g	6 bij 180 °C en 4 bij 100 °C
Drumsticks*	1 (80 g)	10 bij 200 °C en 10 bij 150 °C
	7 (600 g)	10 bij 200 °C en 10 bij 150 °C
Kipfilet*	100 g	8 bij 140 °C en 6 bij 180 °C
	800 g	8 bij 140 °C en 8 bij 180 °C

* Begin altijd bij de hoogste temperatuur en gebruik daarna een lagere temperatuur tot het gerecht gaar is.

Opmerking: Wanneer u ingrediënten gebruikt die rijzen (zoals bij cake, quiche of muffins) moet u de bakschaal tot maximaal halverwege vullen.

Opmerking: De tijd voor het voorverwarmen van het apparaat is niet inbegrepen bij de bereidingstijd.

Verse frites maken

Voor de beste resultaten raden wij u aan voorgebakken (bijv. ingevroren) frites te gebruiken. Volg de onderstaande stappen als u verse frites wilt maken.

- 1 Schil de aardappelen en snijd ze in reepjes.
- 2 Laat de aardappelreepjes ten minste 30 minuten weken in een kom. Haal de reepjes vervolgens uit de kom en droog ze met keukenpapier.
- 3 Giet ½ eetlepel olijfolie in een kom, leg de reepjes erop en meng het geheel totdat de aardappelreepjes zijn bedekt met een laagje met olie.
- 4 Neem met de hand of met keukengerei de aardappelreepjes uit de kom zodat overtollige olie in de kom blijft. Leg de aardappelreepjes in de mand.

Opmerking: Kantel de kom niet om alle reepjes in één keer in de mand te doen om te voorkomen dat overtollige olie onder in de pan terechtkomt.

- 5 Frituur de aardappelreepjes volgens de instructies in dit hoofdstuk.

Schoonmaken

Maak het apparaat na ieder gebruik schoon. Verwijder olie van de bodem van de pan na elk bereidingsproces om rookontwikkeling te voorkomen.

Open de lade om de airfryer sneller te laten afkoelen. Laat de pan afkoelen voor u deze uit het apparaat verwijdert.

De pan, de mand en de binnenzijde van het apparaat hebben een antiaanbaklaag. Gebruik geen metalen keukengerei of schurende reinigingsmaterialen om deze onderdelen schoon te maken. Doet u dit wel, dan kan de antiaanbaklaag beschadigd raken.

- 1 Haal de stekker uit het stopcontact en laat het apparaat afkoelen.
- 2 Veeg de buitenkant van het apparaat schoon met een vochtige doek.

Opmerking: Zorg ervoor dat er geen vocht op het bedieningspaneel achterblijft. Droog het bedieningspaneel met een doek nadat u dit hebt schoongemaakt.

- 3 Maak de pan en de mand grondig schoon met warm water, een beetje afwasmiddel en een niet-schurend sponsje.

Mochten er toch nog restjes achterblijven, dan kunt u dit verwijderen met een ontvettende vloeistof.

Opmerking: De pan en de mand zijn vaatwasmachinebestendig.

Tip: Als er vuil vastzit aan de mand of aan de bodem van de pan, vult u de pan met warm water en een beetje afwasmiddel. Doe de mand in de pan en laat de pan en de mand ongeveer 10 minuten weken.

- 4 Maak de binnenkant van het apparaat schoon met warm water en een niet-schurend sponsje.

- 5 Maak het verwarmingselement schoon met een schoonmaakborsteltje om etensresten te verwijderen.

Opbergen

- 1 Haal de stekker uit het stopcontact en laat het apparaat afkoelen.
- 2 Controleer of alle onderdelen schoon en droog zijn.
- 3 Duw het snoer in de snoeropbergruimte.

Accessoires bestellen

Ga naar onze Online Shop op www.shop.philips.com/service om accessoires voor dit apparaat te kopen. Ga naar uw Philips-dealer of een Philips-servicecentrum als de Online Shop niet beschikbaar is in uw land. Als u problemen hebt met het vinden van accessoires voor uw apparaat, neem dan contact op met het Philips Consumer Care Centre in uw land. U vindt de contactgegevens in het 'worldwide garantie'-vouwblad.

Milieu

- Gooi het apparaat aan het einde van zijn levensduur niet weg met het normale huisvuil, maar lever het in op een door de overheid aangewezen inzamelpunt om het te laten recyclen. Op die manier levert u een bijdrage aan een schonere leefomgeving (fig. 19).

Garantie en service

Als u service of informatie nodig hebt of als u een probleem ondervindt, bezoek dan de ondersteuningspagina op de Philips-website (www.philips.com/support) of neem contact op met het Philips Consumer Care Centre in uw land. Het telefoonnummer vindt u in het 'worldwide garantie'-vouwblad. Als er geen Consumer Care Centre in uw land is, ga dan naar uw plaatselijke Philips-dealer.

Problemen oplossen

Dit hoofdstuk behandelt in het kort de problemen die u kunt tegenkomen tijdens het gebruik van het apparaat. Als u het probleem niet kunt oplossen met de informatie hieronder, ga dan naar www.philips.com/support voor een lijst met veelgestelde vragen of neem contact op met het Consumer Care Centre in uw land.

Probleem	Mogelijke oorzaak	Oplossing
Het apparaat werkt niet.	De stekker van het apparaat zit niet in het stopcontact.	Steek de stekker in een geaard stopcontact.
	Het apparaat is niet ingeschakeld.	Druk op de aan/uitknop om het apparaat in te schakelen.
De etenswaren die met het apparaat zijn gefrituurd zijn niet gaar.	De ingestelde temperatuur is te laag.	Druk op de knop voor het verhogen van de temperatuur om de gewenste temperatuur in te stellen (zie 'Standen' in het hoofdstuk 'Het apparaat gebruiken').
	De bereidingstijd is te kort.	Druk op de knop voor het verlengen van de tijd om de gewenste bereidingstijd in te stellen (zie 'Standen' in het hoofdstuk 'Het apparaat gebruiken').
	De hoeveelheid etenswaren in de mand is te groot.	Plaats kleinere porties etenswaren in de mand. Kleinere porties worden gelijkmatiger gebakken. Overschrijd de MAX-aanduiding of de maximale hoeveelheid in de tabel niet.
De etenswaren zijn niet gelijkmatig gebakken in het apparaat.	Bepaalde etenswaren moeten halverwege de bereidingstijd worden geschud.	Etenswaren die bovenop of over elkaar liggen (bijv. frites), moeten halverwege de bereidingstijd worden geschud. Zie 'Standen' in het hoofdstuk 'Het apparaat gebruiken'.
Gebakken snacks zijn niet knapperig wanneer deze uit het apparaat komen.	U hebt een snacksoort gebruikt die in een traditionele friteuse moet worden bereid.	Gebruik ovensnacks of bestrijk de snacks lichtjes met olie voor een knapperiger resultaat.
Ik kan de lade niet goed in het apparaat schuiven.	Er zitten te veel etenswaren in de mand.	Vul de mand nooit tot boven de MAX-aanduiding.
	De pan en de mand zijn niet juist geplaatst.	Zorg ervoor dat de pan en mand juist zijn geplaatst.

Probleem	Mogelijke oorzaak	Oplossing
Er komt witte rook uit het apparaat.	U bent vette etenswaren aan het bereiden.	Wanneer u vette etenswaren in het apparaat bakt, lekt er een grote hoeveelheid olie in de pan. De olie zorgt voor witte rook en de pan kan heter worden dan normaal. Dit heeft geen gevolgen voor het apparaat of het eindresultaat.
	Er zitten nog vetresten in de pan van de vorige keer.	Witte rook wordt veroorzaakt doordat vet wordt verhit in de pan. Maak de pan na elk gebruik goed schoon.
Verse frites worden niet gelijkmatig gebakken in het apparaat.	U hebt de aardappelreepjes niet goed laten weken voordat u ze ging frituren.	Laat de aardappelreepjes ten minste 30 minuten weken in een kom. Haal de reepjes vervolgens uit de kom en droog ze met keukenpapier.
	U hebt de verkeerde soort aardappelen gebruikt.	Zorg ervoor dat u verse aardappelen gebruikt van een stevige soort.
Verse frites zijn niet knapperig wanneer deze uit het apparaat komen.	De knapperigheid van de frites hangt af van de hoeveelheid olie en water in de frites.	Zorg ervoor dat u de aardappelreepjes goed droogt voor u de olie toevoegt. Snijd de aardappelreepjes kleiner en voeg iets meer olie toe voor een knapperiger resultaat.
Het bericht 'Er' verschijnt op het display.	Er is een fout opgetreden.	Laat het apparaat nakijken door een door Philips geautoriseerd servicecentrum.
De tijd- en temperatuurindicaties veranderen automatisch, ook al heb ik op geen enkele knop gedrukt.	Er zit vocht op het bedieningspaneel.	Zorg ervoor dat u het bedieningspaneel met een doek droogt nadat u het hebt schoongemaakt.

Free Manuals Download Website

<http://myh66.com>

<http://usermanuals.us>

<http://www.somanuals.com>

<http://www.4manuals.cc>

<http://www.manual-lib.com>

<http://www.404manual.com>

<http://www.luxmanual.com>

<http://aubethermostatmanual.com>

Golf course search by state

<http://golfingnear.com>

Email search by domain

<http://emailbydomain.com>

Auto manuals search

<http://auto.somanuals.com>

TV manuals search

<http://tv.somanuals.com>