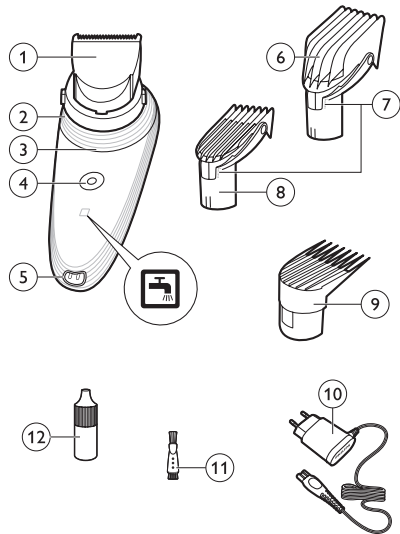
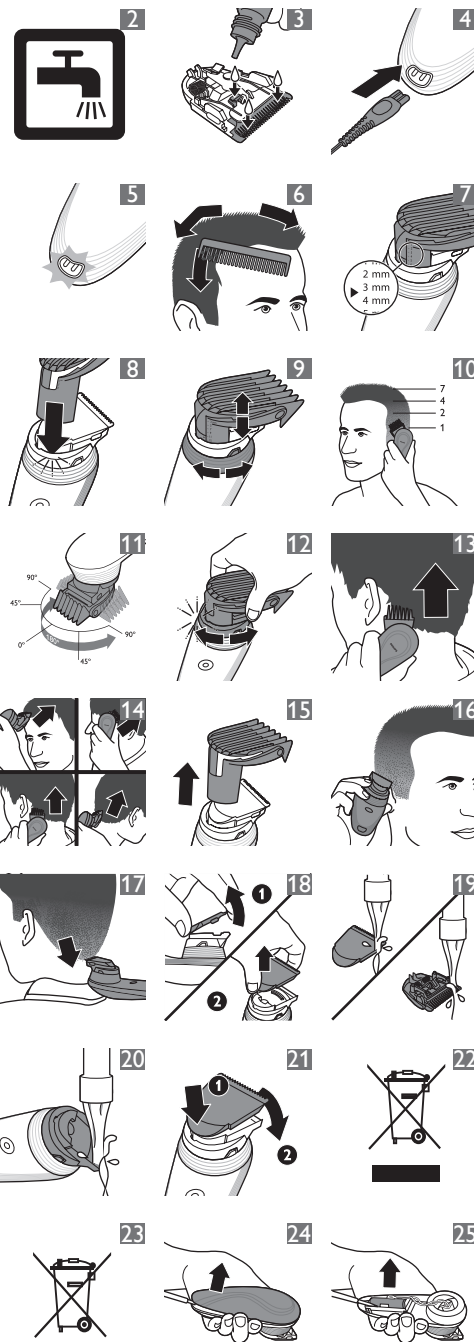




PHILIPS



ENGLISH

Introduction

Congratulations on your purchase and welcome to Philips! To fully benefit from the support that Philips offers, register your product at www.philips.com/welcome.

Your new Philips hair clipper with new ergonomic design and 180° adjustable cutting element allows you to clip your own hair easily. You can move the clipper over all areas of your head as easily as running your fingers through your hair. To enjoy using the hair clipper, we advise you to read the following information.

General description (Fig. 1)

- 1 Cutting element
- 2 Swivel head
- 3 Length setting adjustment ring
- 4 On/off button
- 5 Charging light
- 6 Large comb attachment
- 7 Length setting indicator
- 8 Small comb attachment
- 9 Precision comb attachment
- 10 Adapter
- 11 Cleaning brush
- 12 Oil

Important

Read this user manual carefully before you use the appliance and save it for future reference.

- Danger**
- Make sure the adapter does not get wet.
- Warning**
- The adapter contains a transformer. Do not cut off the adapter to replace it with another plug, as this causes a hazardous situation.
 - This appliance is not intended for use by persons (including children) with reduced physical, sensory or mental capabilities, or lack of experience and knowledge, unless they have been given supervision or instruction concerning use of the appliance by a person responsible for their safety.
 - Children should be supervised to ensure that they do not play with the appliance.

- Caution**
- Do not use the appliance in the bath or in the shower.
 - Use, charge and store the appliance at a temperature between 5°C and 35°C.
 - Only use the adapter supplied to charge the appliance.

- If the adapter is damaged, always have it replaced with one of the original type in order to avoid a hazard.
- Do not use the appliance when the cutting element or one of the comb attachments is damaged or broken, as this may cause injury.
- This appliance is only intended for clipping head hair. Do not use it for any other purpose.
- If the appliance is subjected to a major change in temperature, pressure or humidity, let the appliance acclimatise for 30 minutes before you use it.

Compliance with standards

- The appliance complies with the internationally approved IEC safety regulations and can be safely cleaned under the tap (Fig. 2).
- This Philips appliance complies with all standards regarding electromagnetic fields (EMF). If handled properly and according to the instructions in this user manual, the appliance is safe to use based on scientific evidence available today.

Before first use

- 1** Lubricate the cutting element with 3 drops of the included oil (Fig. 3).

Charging

Charge the appliance for at least 1 hour before you use it for the first time or after a long period of disuse. When the appliance is fully charged, it has a cordless clipping time of up to 1 hour. When the charging light flashes orange, the battery is running low (approx. 7 minutes of operating time left) and you need to recharge the appliance.

- 1** Make sure the appliance is switched off.
- 2** Insert the appliance plug into the appliance and insert the adapter into the wall socket (Fig. 4).
- ▶ The charging light starts to flash white to indicate that the appliance is charging (Fig. 5).
- ▶ When the battery is fully charged, the charging light lights up white continuously.
- ▶ After approx. 30 minutes the charging light goes out to save energy.

Corded clipping

- 1** Switch off the appliance.
- 2** Connect the appliance to the mains and wait a few seconds before you switch it on.

Note: If the battery is completely empty, wait a few minutes before you switch on the appliance.



Using the appliance

Make sure your hair is clean and dry. Do not use the appliance on freshly washed hair.

Preparing for hair clipping

- 1 Comb your hair with a styling comb in the direction of hair growth (Fig. 6).

Clipping with comb attachment

- 1 Select the comb attachment you want to use. Use the precision comb attachment, the small or the large comb attachment, depending on the desired hair length.

Note: The hair length settings are indicated on the comb attachment. (Fig. 7)

Barber settings on comb

Precision comb attachment

| Setting | Resulting hair length (inches) | Resulting hair length (mm) |
|---------|--------------------------------|----------------------------|
| 1 | 3/64 | 1 |
| 2 | 1/16 | 1,5 |
| 3 | 5/64 | 2 |
| 4 | 3/32 | 2,5 |
| 5 | 1/8 | 3 |

Small comb attachment

| Setting | Resulting hair length (inches) | Resulting hair length (mm) |
|---------|--------------------------------|----------------------------|
| 1 | 1/8 | 3 |
| 2 | 3/16 | 5 |
| 3 | 9/32 | 7 |
| 4 | 3/8 | 9 |
| 5 | 7/16 | 11 |
| 6 | 1/2 | 13 |
| 7 | 5/8 | 15 |

Large comb attachment

| Setting | Resulting hair length (inches) | Resulting hair length (mm) |
|---------|--------------------------------|----------------------------|
| 1 | 11/16 | 18 |
| 2 | 13/16 | 20 |
| 3 | 14/16 | 22 |
| 4 | 15/16 | 24 |
| 5 | 1 | 26 |
| 6 | 1 2/16 | 28 |
| 7 | 1 3/16 | 30 |

- 2 Attach the comb attachment to the swivel head ('click') (Fig. 8).

Make sure that the comb attachment locks into position properly.

- 3 Turn the length setting adjustment ring to set the comb attachment to the desired setting (Fig. 9).

- ▶ The arrowhead on the appliance indicates which setting you have selected.

Tip: Use different settings to create a natural and smooth transition between the various hair lengths from your neckline to the top of your head (Fig. 10).

Do not turn the length setting adjustment ring beyond the highest setting.

- 4 Turn the swivel head to the position that is most comfortable for your arm when you clip the different parts of your head.

Using the swivel head

- From its starting position of 0° (pointing forwards), you can turn the swivel head 45° or 90° to the left or right. This enables you to adjust the position of the cutting element to the part of your head that you are clipping. This makes it much easier to clip your own hair (Fig. 11).
- To set the cutting element to the desired position, turn the swivel head ('click') (Fig. 12).

Note: Always adjust the position of the cutting element by turning the swivel head. Do not turn the swivel head by holding the cutting element or the comb attachment.

Note: Do not turn the swivel head more than 90° to the left or right.

- The swivel head allows you to hold and use the appliance like a styling comb (Fig. 13).

- 5 Press the on/off button to switch on the appliance.

- 6 Move the clipper through the hair slowly.

- 7 Regularly remove cut hair from the comb attachment.

If a lot of hair has accumulated in the comb attachment, remove the comb attachment from the appliance and blow and/or shake the hair out of it. When you remove the comb attachment, the selected setting does not change.

Tips

- We advise you to start clipping at the highest setting of the large comb attachment and to reduce the setting gradually.
- To clip most effectively, move the appliance against the hair growth direction.
- Since all hair does not grow in the same direction, you need to move the appliance in different directions (upwards, downwards and across) (Fig. 14).
- Make sure that the flat part of the comb attachment is always fully in contact with the scalp to obtain an even result.
- Write down the settings you use to create a certain hairstyle as a reminder for future clipping sessions.

Contouring without comb attachment

You can use the appliance without comb attachment to clip your hair very close to the skin (1mm) or to contour the neckline and the area around the ears.

Be careful when you clip without comb attachment because the cutting element removes every hair it touches.

- 1 Pull the comb attachment off the swivel head (Fig. 15).

Never pull at the flexible top of the comb attachment. Always pull at the bottom part.

- 2 Comb the hair ends over the ears before you start to contour the hairline.

- 3 Press the on/off button to switch on the appliance.

- 4 When you shape the contours around the ears, tilt the appliance in such a way that only one edge of the cutting element touches the hair ends (Fig. 16).

- 5 To contour the neckline and the sideburns, turn the appliance and make downward strokes (Fig. 17).

Note: Move the appliance slowly and smoothly. Just follow the natural hairline.

- 6 Adjust the position of the swivel head to make contouring easier.

Cleaning and maintenance

Clean the appliance every time you have used it by rinsing it under the tap or with the cleaning brush supplied.

The appliance does not need any lubrication.

Never use compressed air, scouring pads, abrasive cleaning agents or aggressive liquids such as petrol, acetone or ethereal oils to clean the appliance.

Be careful that the cutting element does not fall on the floor.

Cleaning the cutting element and comb attachments

- 1 Switch off the appliance and disconnect it from the mains.
- 2 Remove the comb attachment (Fig. 15).
- 3 Rinse the comb attachment under the tap or clean it with the cleaning brush supplied.
- 4 Place your thumb on the center of the cutting element and your index finger on the teeth of the cutting element (1). Lift your index finger so the cutting element releases from the swivel head (2) (Fig. 18).
- 5 Rinse the cutting element under the tap or clean them with the cleaning brush supplied (Fig. 19).
- 6 Rinse the inside of the appliance under the tap or clean it with the cleaning brush supplied (Fig. 20).
- 7 Insert the lug of the cutting element into the slot and push the cutting element back onto the swivel head ('click') (Fig. 21).

Lubrication

- 1 Lubricate the cutting element with 3 drops of the included oil every 3 months.

Storage

- 1 Switch off the appliance and disconnect it from the mains.
- 2 Store the appliance in a dry and safe place.

■ Replacement

Only replace a worn or damaged cutting element with an original Philips cutting element, available from authorised Philips service centres.

■ Environment

- Do not throw away the appliance with the normal household waste at the end of its life, but hand it in at an official collection point for recycling. By doing this, you help to preserve the environment (Fig. 22).
- The built-in rechargeable battery contains substances that may pollute the environment. Always remove the battery before you discard and hand in the appliance at an official collection point. Dispose of the battery at an official collection point for batteries. If you have trouble removing the battery, you can also take the appliance to a Philips service centre. The staff of this centre removes the battery for you and disposes of them in an environmentally safe way (Fig. 23).

■ Removing the rechargeable battery

Only remove the rechargeable battery when you discard the appliance. Make sure the battery is completely empty when you remove it.

Do not connect the appliance to the mains again after you have removed the rechargeable battery.

- 1** Disconnect the appliance from the mains and let the appliance run until the motor stops.
- 2** Remove the upper housing part of the appliance (Fig. 24).
- 3** Open the inner body with a screwdriver.
- 4** Use a screwdriver to remove the rechargeable battery from the appliance (Fig. 25).
- 5** Cut the wires with a pair of household scissors.

■ Guarantee and service

If you need service or information or if you have a problem, please visit the Philips website at www.philips.com or contact the Philips Consumer Care Centre in your country. You find its phone number in the worldwide guarantee leaflet. If there is no Consumer Care Centre in your country, go to your local Philips dealer.

■ Troubleshooting

This chapter summarises the most common problems you could encounter with the appliance. If you are unable to solve the problem with the information below, visit www.philips.com/support for a list of frequently asked questions or contact the Consumer Care Centre in your country.

| Problem | Solution |
|-------------------------------------------------------------------------------|----------------------------------------------------------------------------------------------------------------------------------------------------------------------------------------------------------------------------------------------------------------------------------------------------------------------------------|
| The appliance does not work when I switch it on. | Charge the appliance (see chapter 'Charging'). Make sure that the appliance plug is inserted properly into the appliance and the adapter is connected properly to the wall socket. The charging light flashes white to indicate that the appliance is charging. |
| | You can also use the appliance when it is connected to the mains. |
| I do not know how to attach the comb attachments to the appliance. | To attach the comb attachments, simply slide them into the slot in the appliance. |
| I do not know how to change the hair length settings of the comb attachments. | You can change the hair length settings of the comb attachments with the length setting adjustment ring on the appliance. Turn the ring to set the comb attachment to the desired setting. See chapter 'Using the appliance', section 'Clipping with comb attachment' |
| The adapter fell into water. | The adapter is waterproof. You only have to dry it thoroughly with a towel and then you can use it again. |
| One of the comb attachments is damaged or worn. | Do not use the comb attachment anymore. Replace it with an attachment or comb of the original type. You can obtain a replacement comb attachment from your local Philips dealer or you can visit www.philips.com/shop . For more information you can contact the Consumer Care Centre. |

FRANÇAIS

■ Introduction

Félicitations pour votre achat et bienvenue dans l'univers Philips ! Pour profiter pleinement de l'assistance Philips, enregistrez votre produit sur le site à l'adresse suivante : www.philips.com/welcome.

Votre nouvelle tondeuse Philips au design ergonomique et à tête pivotante à 180° vous permet de vous couper les cheveux en toute simplicité. Vous pouvez la déplacer sur toutes les zones de la tête, comme si vous passiez vos doigts dans vos cheveux. Avant de l'utiliser, nous vous conseillons de consulter les informations ci-dessous.

■ Description générale (fig. 1)

- 1 Bloc tondeuse
- 2 Tête pivotante
- 3 Anneau de réglage de la hauteur de coupe
- 4 Bouton marche/arrêt
- 5 Voyant de charge
- 6 Grand sabot
- 7 Indicateur de la hauteur de coupe
- 8 Petit sabot
- 9 Sabot de précision (accessoire)
- 10 Adaptateur secteur
- 11 Brossette de nettoyage
- 12 Huile

■ Important

Lisez attentivement ce mode d'emploi avant d'utiliser l'appareil et conservez-le pour un usage ultérieur.

Danger

- Veillez à ce que l'adaptateur ne soit pas en contact avec de l'eau.

Avertissement

- L'adaptateur contient un transformateur. N'essayez pas de remplacer la fiche de l'adaptateur pour éviter tout accident.
- Cet appareil n'est pas destiné à être utilisé par des personnes (notamment des enfants) dont les capacités physiques, sensorielles ou intellectuelles sont réduites, ou par des personnes manquant d'expérience ou de connaissances, à moins que celles-ci ne soient sous surveillance ou qu'elles n'aient reçu des instructions quant à l'utilisation de l'appareil par une personne responsable de leur sécurité.
- Veillez à ce que les enfants ne puissent pas jouer avec l'appareil.

■ Attention

- N'utilisez jamais l'appareil dans le bain ni sous la douche.
- Utilisez, rechargez et conservez l'appareil à une température comprise entre 5 °C et 35 °C.
- Utilisez exclusivement l'adaptateur fourni pour charger l'appareil.
- Si l'adaptateur secteur est endommagé, il doit toujours être remplacé par un adaptateur secteur de même type pour éviter tout accident.
- Afin d'éviter tout accident, n'utilisez pas l'appareil si le bloc tondeuse ou si l'un des sabots est endommagé ou cassé.
- Cet appareil a été conçu uniquement pour tondre les cheveux. Ne l'utilisez jamais à d'autres fins.
- Si l'appareil devait être soumis à une forte variation de température, de pression ou d'humidité, laissez-le s'acclimater pendant 30 minutes avant de l'utiliser.

■ Conformité aux normes

- Ce rasoir est conforme aux normes internationales IEC et peut être nettoyé à l'eau en toute sécurité (fig. 2).
- Cet appareil Philips est conforme à toutes les normes relatives aux champs électromagnétiques (CEM). Il répond aux règles de sécurité établies sur la base des connaissances scientifiques actuelles s'il est manipulé correctement et conformément aux instructions de ce mode d'emploi.

■ Avant la première utilisation

- 1** Lubrifiez le bloc tondeuse avec 3 gouttes de l'huile fournie (fig. 3).

■ Charge

Chargez l'appareil pendant au moins 1 heure avant la première utilisation ou après une longue période de non-utilisation. Une fois chargé, l'appareil dispose d'une autonomie sans fil de 1 heure environ. Lorsque le voyant de charge clignote en orange, la batterie est presque déchargée (environ 7 minutes d'autonomie restantes). Il faut alors recharger l'appareil.

- 1** Assurez-vous que l'appareil est éteint.
- 2** Insérez la fiche de l'adaptateur dans l'appareil, puis branchez l'adaptateur sur la prise secteur (fig. 4).
 - ▶ Le voyant de charge se met à clignoter en blanc pour indiquer que l'appareil est en cours de charge (fig. 5).

- ▶ Une fois la batterie entièrement chargée, le voyant de charge devient blanc et cesse de clignoter.
- ▶ Après environ 30 minutes, le voyant de charge s'éteint pour économiser l'énergie.

Utilisation de la tondeuse sur secteur

- 1 Éteignez l'appareil.
- 2 Branchez l'appareil sur secteur et attendez quelques secondes avant de le mettre en marche.

Remarque : Si la batterie est entièrement déchargée, patientez quelques minutes avant de mettre l'appareil en marche.

Utilisation de l'appareil

Assurez-vous que vos cheveux sont secs et propres. N'utilisez pas l'appareil sur des cheveux qui viennent d'être lavés.

Préparation

- 1 Démêlez vos cheveux à l'aide d'un peigne dans le sens de leur pousse (fig. 6).

Utilisation avec sabot

- 1 Choisissez le sabot que vous souhaitez utiliser.

Utilisez le sabot de précision (accessoire), le petit ou le grand sabot en fonction de la hauteur de coupe souhaitée.

Remarque : Les réglages de la hauteur de coupe sont indiqués sur chaque sabot. (fig. 7)

Sabot professionnel avec réglages de précision

Sabot de précision (accessoire)

| Réglage | Hauteur de coupe obtenue (en pouces) | Hauteur de coupe obtenue (en millimètres) |
|---------|--------------------------------------|-------------------------------------------|
| 1 | 3/64 | 1 |
| 2 | 1/16 | 1,5 |
| 3 | 5/64 | 2 |
| 4 | 3/32 | 2,5 |
| 5 | 1/8 | 3 |

Petit sabot

| Réglage | Hauteur de coupe obtenue (en pouces) | Hauteur de coupe obtenue (en millimètres) |
|---------|--------------------------------------|-------------------------------------------|
| 1 | 1/8 | 3 |
| 2 | 3/16 | 5 |
| 3 | 9/32 | 7 |
| 4 | 3/8 | 9 |
| 5 | 7/16 | 11 |
| 6 | 1/2 | 13 |
| 7 | 5/8 | 15 |

Grand sabot

| Réglage | Hauteur de coupe obtenue (en pouces) | Hauteur de coupe obtenue (en millimètres) |
|---------|--------------------------------------|-------------------------------------------|
| 1 | 11/16 | 18 |
| 2 | 13/16 | 20 |
| 3 | 14/16 | 22 |
| 4 | 15/16 | 24 |
| 5 | 1 | 26 |
| 6 | 1 2/16 | 28 |
| 7 | 1 3/16 | 30 |

- 2 Fixez le sabot à la tête pivotante (vous devez entendre un clic) (fig. 8).

Vérifiez que le sabot est correctement enclenché.

- 3 Tournez l'anneau de réglage de la hauteur de coupe pour régler le sabot sur la hauteur de coupe souhaitée (fig. 9).

- ▶ La flèche située sur l'appareil indique le réglage sélectionné.

Conseil : Utilisez plusieurs réglages afin de créer une transition naturelle entre les différentes hauteurs de coupe, de la nuque (cheveux plus courts) vers le haut de la tête (cheveux plus longs) (fig. 10).

Ne faites pas tourner l'anneau de réglage de la hauteur de coupe au-delà du réglage maximum.

- 4 Placez la tête pivotante dans la position la plus confortable pour votre bras lorsque vous utilisez la tondeuse sur les différentes parties de votre tête.

Utilisation de la tête pivotante

- À partir de sa position initiale de 0° (orientée vers l'avant), la tête pivotante peut pivoter de

45° ou 90° vers la gauche ou vers la droite. Vous avez donc la possibilité d'adapter la position du bloc tondeuse en fonction de la partie de votre tête que vous souhaitez tondre. Il n'a jamais été aussi simple de se couper les cheveux soi-même ! (fig. 11)

- Pour placer le bloc tondeuse dans la position souhaitée, tournez la tête pivotante (vous devez entendre un clic) (fig. 12).

Remarque : Réglez toujours la position du bloc tondeuse au moyen de la tête pivotante. Ne faites jamais tourner la tête pivotante en tenant le bloc tondeuse ou le sabot.

Remarque : Ne faites pas pivoter la tête pivotante de plus de 90° vers la gauche ou vers la droite.

- La tête pivotante vous permet de tenir et d'utiliser l'appareil comme un peigne (fig. 13).

- 5 Mettez l'appareil en marche en appuyant sur le bouton marche/arrêt.

- 6 Déplacez la tondeuse lentement.

- 7 Retirez régulièrement les cheveux coupés du sabot.

Si des cheveux se sont accumulés dans le sabot, retirez-le et enlevez les cheveux en soufflant sur le sabot et/ou en le secouant. Le retrait du sabot ne modifie pas la hauteur de coupe sélectionnée.

Conseils

- Nous vous conseillons d'opter tout d'abord pour la hauteur de coupe la plus élevée du grand sabot et de passer ensuite progressivement à des hauteurs de coupe inférieures.
- Pour obtenir des résultats optimaux, déplacez l'appareil dans le sens inverse de la pousse des cheveux.
- Dans la mesure où les cheveux ne poussent pas tous dans le même sens, adaptez vos mouvements (vers le haut, le bas ou en travers) (fig. 14).
- Pour obtenir une coupe régulière, assurez-vous que la partie plate du sabot est toujours en contact avec le cuir chevelu.
- Notez les réglages de la hauteur de coupe que vous utilisez en vue des prochaines utilisations.

Contours sans sabot

Vous pouvez utiliser l'appareil sans le sabot afin de vous tondre les cheveux au plus près du cuir chevelu (1 mm) ou pour tondre les contours de la nuque et le tour des oreilles.

Faites attention lorsque vous vous tondez les cheveux sans le sabot car ceux-ci sont coupés à la racine.

- 1 Retirez le sabot de la tête pivotante (fig. 15).

Ne tirez jamais sur la partie supérieure flexible du sabot. Tirez toujours sur la partie inférieure.

- 2 Avant de tondre le contour de l'oreille, peignez les cheveux vers celle-ci.
- 3 Mettez l'appareil en marche en appuyant sur le bouton marche/arrêt.
- 4 Lorsque vous dessinez le contour des oreilles, inclinez l'appareil de manière à ce que seul un côté du bloc tondeuse touche les cheveux (fig. 16).

- 5 Pour tondre la nuque et les favoris, retournez l'appareil et déplacez-le vers le bas (fig. 17).

Remarque : Déplacez l'appareil lentement en suivant l'implantation des cheveux.

- 6 Réglez la position de la tête pivotante afin d'obtenir des contours précis.

Nettoyage et entretien

Nettoyez l'appareil après chaque utilisation en le rinçant sous l'eau du robinet ou à l'aide de la brosse de nettoyage fournie. L'appareil n'a pas besoin d'être lubrifié.

N'utilisez jamais d'air comprimé, de tampons à récurer, de produits abrasifs ou de détergents agressifs tels que de l'essence, de l'acétone ou de l'éther pour nettoyer l'appareil.

Veillez à ne pas laisser tomber le bloc tondeuse.

Nettoyage du bloc tondeuse et des sabots

- 1 Éteignez l'appareil et débranchez-le de la prise secteur.
- 2 Retirez le sabot (fig. 15).
- 3 Rincez le sabot sous l'eau du robinet ou nettoyez-le à l'aide de la brosse de nettoyage fournie.
- 4 Placez votre pouce au milieu du bloc tondeuse et votre index sur les dents du bloc tondeuse (1). Soulevez votre index pour retirer le bloc tondeuse de la tête pivotante (2) (fig. 18).
- 5 Rincez le bloc tondeuse sous l'eau du robinet ou nettoyez-le à l'aide de la brosse de nettoyage fournie (fig. 19).
- 6 Rincez l'intérieur de l'appareil sous l'eau du robinet ou nettoyez-le à l'aide de la brosse de nettoyage fournie (fig. 20).

- 7 Insérez la languette du bloc tondeuse dans la fente prévue à cet effet, puis remettez le bloc tondeuse en place sur la tête pivotante (vous devez entendre un clic) (fig. 21).

Lubrification

- 1 Lubrifiez le bloc tondeuse avec 3 gouttes de l'huile fournie tous les trois mois.

Rangement

- 1 Éteignez l'appareil et débranchez-le de la prise secteur.
- 2 Rangez l'appareil dans un endroit sûr et sec.

Remplacement

Un bloc tondeuse usé ou endommagé doit être remplacé uniquement par un bloc tondeuse d'origine Philips, disponible auprès d'un Centre Service Agréé Philips.

Environnement

- Lorsqu'il ne fonctionnera plus, ne jetez pas l'appareil avec les ordures ménagères, mais déposez-le à un endroit assigné à cet effet, où il pourra être recyclé. Vous contribuerez ainsi à la protection de l'environnement (fig. 22).
- La batterie rechargeable intégrée contient des substances qui peuvent nuire à l'environnement. Veillez à toujours retirer la batterie avant de mettre l'appareil au rebut ou de le déposer à un endroit assigné à cet effet. Déposez la batterie usagée à un endroit assigné à cet effet. Si vous n'arrivez pas à retirer la batterie, vous pouvez apporter l'appareil dans un Centre Service Agréé Philips qui prendra toute l'opération en charge pour préserver l'environnement (fig. 23).

Retrait de la batterie rechargeable

Retirez la batterie rechargeable uniquement lorsque vous mettez l'appareil au rebut. Assurez-vous que la batterie est complètement déchargée lorsque vous la retirez.

Ne branchez pas l'appareil sur le secteur après avoir retiré la batterie rechargeable.

- 1 Débranchez l'appareil de la prise secteur et laissez-le fonctionner jusqu'à l'arrêt complet du moteur.
- 2 Retirez la partie supérieure de l'appareil (fig. 24).
- 3 Ouvrez la partie inférieure de l'appareil à l'aide d'un tournevis.

- 4 Retirez la batterie rechargeable de l'appareil à l'aide d'un tournevis (fig. 25).

- 5 Coupez les fils avec des ciseaux.

Garantie et service

Si vous souhaitez obtenir des informations supplémentaires ou faire réparer l'appareil, ou si vous rencontrez un problème, rendez-vous sur le site Web de Philips à l'adresse www.philips.com ou contactez le Service Consommateurs Philips de votre pays. Vous trouverez le numéro de téléphone correspondant sur le dépliant de garantie internationale. S'il n'existe pas de Service Consommateurs Philips dans votre pays, renseignez-vous auprès de votre revendeur Philips local.

Dépannage

Cette rubrique présente les problèmes les plus courants que vous pouvez rencontrer avec votre appareil. Si vous ne parvenez pas à résoudre le problème à l'aide des informations ci-dessous, rendez-vous sur www.philips.com/support pour consulter les questions fréquemment posées, ou contactez le Service Consommateurs de votre pays.

| Problème | Solution |
|---------------------------------------------------|----------------------------------------------------------------------------------------------------------------------------------------------------------------------------------------------------------------------------------------------------------------------------------------------|
| L'appareil ne fonctionne pas lorsque je l'allume. | Chargez l'appareil (voir le chapitre « Charge »). Assurez-vous que l'embout de charge a été correctement inséré dans l'appareil et que l'adaptateur est correctement connecté à la prise secteur. Le voyant de charge clignote en blanc pour indiquer que l'appareil est en cours de charge. |
| | Vous pouvez également utiliser l'appareil sur secteur. |

Je ne sais pas comment fixer les sabots à l'appareil.

Pour fixer les sabots, faites-les simplement glisser dans l'encoche de l'appareil.

Je ne sais pas comment modifier le réglage de la hauteur de coupe sur les sabots.

Vous pouvez modifier le réglage de la hauteur de coupe des sabots à l'aide de l'anneau de réglage de la hauteur de coupe situé sur l'appareil. Tournez l'anneau pour régler le sabot à la hauteur de coupe souhaitée. Reportez-vous à la section « Utilisation avec sabot » du chapitre « Utilisation de l'appareil ».

| Problème | Solution |
|-------------------------------------|-------------------------------------------------------------------------------------------------------------------------------------------------------------------------------------------------------------------------------------------------------------------------------------------------------------------|
| L'adaptateur est tombé dans l'eau. | L'adaptateur est étanche. Il vous suffit de le sécher soigneusement à l'aide d'une serviette avant de pouvoir le réutiliser. |
| Un des sabots est endommagé ou usé. | N'utilisez plus le sabot. Remplacez-le par un sabot de même type. Vous pouvez vous procurer un sabot de rechange auprès de votre revendeur Philips local ou visiter www.philips.com/shop . Pour en savoir plus, vous pouvez contacter le Service Consommateurs Philips. |

简体中文

简介

感谢您的惠顾，欢迎光临飞利浦！为了您能充分享受飞利浦提供的支持，请在 www.philips.com/welcome 上注册您的产品。您新购买的飞利浦理发器具有全新人体工学设计和 180° 可调节修剪部件，使您可以轻松为自己修剪头发。您可以将理发器在自己整个头部移动，就像在头发上运动您的手指一样简单。要充分享受理发器的便利，建议您阅读下列信息。

基本说明 (图 1)

- 1 修剪部件
- 2 旋转头
- 3 长度设置调整环
- 4 开/关按钮
- 5 充电指示灯
- 6 大号梳齿附件
- 7 长度调校指示器
- 8 小号梳齿附件
- 9 精密梳齿附件
- 10 适配器
- 11 清洁剂
- 12 油画

注意事项

使用本产品之前，请仔细阅读本使用说明书，并妥善保管以备日后参考。

危险

- 确保适配器干燥。

警告

- 电源适配器内含有一个变压器。切勿自行更换插头，否则将导致严重后果。
- 本产品不打算由肢体不健全、感觉或精神上有所障碍或缺乏相关经验和知识的人（包

括儿童）使用，除非有负责他们安全的人对他们使用本产品进行监督或指导。

- 应照看好儿童，确保他们不玩耍本产品。

注意

- 切勿在洗澡或淋浴时使用本产品。
- 必须在 5 摄氏度至 35 摄氏度之间的温度下使用、存放和为本产品充电。
- 为产品充电，须用随产品提供的电源适配器。
- 如果适配器已损坏，则务必更换原装型号适配器，以免发生危险。
- 如果修剪部件或其中一个梳齿附件损坏或损毁，请勿再使用本产品，否则可能对人体造成伤害。
- 本产品仅可用于修剪头发。不可将其用作任何其他用途。
- 如果产品的使用温度、气压或湿度方面改变较大，应在使用之前让产品适应 30 分钟。

符合标准

- 此产品符合国际认可的 IEC 安全标准，可放心在自来水龙头下清洗。(图 2)
- 本飞利浦产品符合电磁场 (EMF) 所有相关标准。就目前的科学研究证明，如果正确使用并按照本用户手册中的说明进行操作，本产品是安全的。

首次使用之前

- 1 请用 3 滴随附的润滑油润滑修剪部件。(图 3)

充电

首次使用前或长时间不用之后，请为产品至少充电 1 小时。当产品充满电时，它可在不接电源的情况下修剪长达 1 小时。如果充电指示灯呈橙色闪烁，则表示电池电量不足（还可以使用约 7 分钟），您需要为产品充电。

- 1 确保产品电源已关闭。
- 2 将插头插入产品中，并将适配器插入插座中。(图 4)
 - ▶ 充电指示灯开始呈白色闪烁，指示产品正在充电。(图 5)
 - ▶ 电池充满电时，充电指示灯将呈白色持续亮起。
 - ▶ 大约 30 分钟后，充电指示灯熄灭以节省能源。

接电源线修剪

- 1 关闭产品。
- 2 将本产品连接到电源，等待几秒钟再启动。

注意：如果电池电量已完全耗尽，请在启动本产品之前等待几分钟。

使用本产品

确保您的头发清洁且干燥。请勿在刚洗过的湿发上使用本产品。

准备头发修剪

1 使用定型梳沿头发生长的方向梳理头发。(图 6)

使用发梳理发

1 选择要使用的梳齿附件。

使用精密梳齿附件、小号或大号梳齿附件，具体取决于所需的头发长度。

注意：梳齿附件上指示头发长度设置。(图 7)

梳齿上的理发师设置

精密梳齿附件

| 设置 | 修剪后须发长度 (英寸) | 修剪后须发长度 (毫米) |
|----|--------------|--------------|
| 1 | 3/64 | 1 |
| 2 | 1/16 | 1.5 |
| 3 | 5/64 | 2 |
| 4 | 3/32 | 2.5 |
| 5 | 1/8 | 3 |

小号梳齿附件

| 设置 | 修剪后须发长度 (英寸) | 修剪后须发长度 (毫米) |
|----|--------------|--------------|
| 1 | 1/8 | 3 |
| 2 | 3/16 | 5 |
| 3 | 9/32 | 7 |
| 4 | 3/8 | 9 |
| 5 | 7/16 | 11 |
| 6 | 1/2 | 13 |
| 7 | 5/8 | 15 |

大号梳齿附件

| 设置 | 修剪后须发长度 (英寸) | 修剪后须发长度 (毫米) |
|----|--------------|--------------|
| 1 | 11/16 | 18 |
| 2 | 13/16 | 20 |
| 3 | 14/16 | 22 |
| 4 | 15/16 | 24 |
| 5 | 1 | 26 |
| 6 | 1 2/16 | 28 |
| 7 | 1 3/16 | 30 |

2 将梳齿附件安装到旋转头 (可听到“咔哒”一声)。(图 8)

确保梳齿附件正确锁定到位。

3 旋转长度设置调整环，将梳齿附件设为所需设置。(图 9)
产品上的箭头表示您选择的设置。

提示：使用不同设置在从颈部到头顶的各种头发长度之间实现自然顺利的过渡。(图 10)

切勿将长度设置调整环转到最高设置之外。

4 在修剪不同位置的头发时，可以将旋转头转动到您的手臂感觉最舒服的位置。

使用旋转头

- 您可以将旋转头从开始位置 0° (指向前方) 向左或向右旋转 45° 或 90°。用这种方法，可以将修剪部件的位置调整到要修剪的那部分头发。这使您为自己理发更容易。(图 11)
- 要将修剪部件设置到所需位置，请转动旋转头 (可听到“咔哒”一声)。(图 12)

注意：始终转动旋转头调整修剪部件的位置。请勿握住修剪部件或梳齿附件转动旋转头。

注意：请勿向左或向右转动旋转头超过 90°。

- 旋转头使您能够像握持定型梳一样拿起并使用本产品。(图 13)

5 按开/关按钮启动产品。

6 将理发器在头发上缓慢移动。

7 定期清除梳齿附件中剪下的头发。

如果梳齿附件中积聚了大量的头发，请将梳齿附件从产品中取出，然后将头发吹出或摇出。取出梳齿附件时，选定的设置不会发生更改。

提示

- 建议您从大号梳齿附件的最高设置开始修剪，然后逐渐缩短设置。
- 要获得最大修剪效率，请正对头发生长方向移动本产品。
- 因为头发不会全部以相同的方向生长，您需要以不同的方向移动产品 (向上、向下或交叉)。(图 14)
- 确保梳齿附件的扁平部分完全接触到头皮，以获得均匀的修剪效果。
- 记下您使用的设置，用作未来剪发过程中创造某种发型的参考。

不用梳齿附件的情况下修整轮廓

即使没有梳齿附件，您也可以使用本产品以非常贴近头皮的距离 (1 毫米) 或紧密贴合颈部周围和双耳附近的皮肤修剪头发。

由于修剪部件会去除接触到的每一根头发，因此在没有梳齿附件修剪头发时要小心。

1 将梳齿附件从旋转头拉出。(图 15)

切勿拉梳齿附件容易变形的顶部。必须拉底部。

2 沿着耳朵梳理发梢，然后开始修整发际线。

3 按开/关按钮启动产品。

4 修整耳朵周围的轮廓时，倾斜产品，使修剪部件只有一边接触发梢。(图 16)

5 要修剪颈部周围和鬓角轮廓，请翻转本产品并向下移动。(图 17)

注意：缓慢平滑地移动产品。顺着自然生长的发际线。

6 调整旋转头的位置，使紧贴轮廓更容易。

清洁和保养

每次用完产品后，请在水龙头下冲洗产品或用随附的清洁刷进行清洁。产品不需要任何润滑。

切勿使用压缩气体、钢丝绒、研磨性清洁剂或腐蚀性液体 (例如汽油、丙酮或香精油) 来清洁产品。

小心不要让修剪部件掉落在地板上。

清洁修剪部件和梳齿附件

1 关闭产品并断开电源。

2 取下发梳。(图 15)

3 在水龙头下冲洗梳齿附件或用随附的清洁刷进行清洁。

4 将拇指放在修剪部件的中心，食指放在修剪部件的齿上 (1)。提起食指，以使修剪部件从旋转头中松开 (2)。(图 18)

5 在水龙头下冲洗修剪部件或用随附的清洁刷进行清洁。(图 19)

6 在水龙头下冲洗产品的内部或用随附的清洁刷进行清洁。(图 20)

7 将修剪部件的凸缘插入槽内，然后将修剪部件推回旋转头 (可听到“咔哒”一声)。(图 21)

润滑

1 每隔 3 个月用 3 滴随附的润滑油润滑修剪部件。

存储

1 关闭产品并断开电源。

2 将本产品存放在干燥安全的地方。

更换

如果修剪部件磨损或损坏，只能用原装飞利浦修剪部件来替换，原装部件可从经授权的飞利浦服务中心获得。

环保

- 弃置产品时，请不要将其与一般生活垃圾堆放在一起；应将其交给官方指定的回收中心。这样做有利于环保。(图 22)
- 内置充电电池含有可能会污染环境的物质。丢弃产品时，一定要将电池取出，并将产品送到官方指定的回收站。到官方指定的电池回收站处理电池。如果您在取出电池时遇到问题，您也可以将产品送至飞利浦维修中心。维修中心的员工会帮您取出电池，并以环保的方式处理它。(图 23)

卸下充电电池

只有在丢弃产品时才可取下充电电池。请确保在取下电池时电量已完全耗尽。

取出充电电池之后，不要再将本产品与电源相连。

1 断开产品电源并让产品继续运行，直到马达停止。

2 去除产品的上顶盖部分。(图 24)

3 使用螺丝刀打开产品内部主体。

4 使用螺丝刀从产品取下充电电池。(图 25)

5 使用家用剪刀剪断电线。

保修与服务

如果您需要服务或更多信息，或者有任何疑问，请访问飞利浦网站：www.philips.com。您也可与您所在国家/地区的飞利浦客户服务中心联系（可从全球保修卡中找到其电话号码）。如果您所在的国家/地区没有飞利浦客户服务中心，请与当地的飞利浦经销商联系。

故障种类和处理方法

本章归纳了使用本产品时最常见的一些问题。如果您无法根据以下信息解决问题，请访问 www.philips.com/support 查阅常见问题列表，或联系您所在国家/地区的客户服务中心。

| 问题 | 解决方法 |
|----------------------|--------------------------------------------------------------------------------------------------------------------------------------------|
| 启动产品后，产品无法工作。 | 为产品充电（请参阅“充电”一章）。确保产品插头已正确插入产品，并且适配器已正确连接至电源插座。充电指示灯呈白色闪烁，表示产品正在充电。 |
| 我不知道如何将梳齿附件连接至产品。 | 当产品连接至电源时，您仍可使用产品。 要连接梳齿附件，只需将其滑入产品的插槽中即可。 |
| 我不知道如何更改梳齿附件的头发长度设置。 | 您可使用产品上的长度设置调整环更改梳齿附件的头发长度设置。旋转调整环，将梳齿附件设为所需设置。请参阅“使用产品”一章的“使用梳齿附件修剪”部分。 |
| 适配器掉入水中。 | 适配器防水。您只需使用毛巾将其彻底擦干，即可再次使用。 |
| 其中一个梳齿附件损坏或磨损。 | 切勿再使用梳齿附件。请使用原装型号的附件或梳齿更换。您可从您当地的飞利浦经销商获得替换梳齿附件，或访问 www.philips.com/shop 。有关更多信息，您可以联系飞利浦客户服务中心。 |

PHILIPS

产品 : 飞利浦电动理发器
型号 : QC5530
额定电压 : 220V~
额定频率 : 50Hz
额定输入功率: 9 W
生产日期 : 请见产品本体
产地 : 匈牙利



飞利浦电子香港有限公司
香港新界沙田香港科学园科技道东五号

经销单位: 飞利浦（中国）投资有限公司
上海市天目西路218号1602-1605
全国顾客服务热线: 4008 800 008

本产品根据国标 GB4706.1-2005, GB4706.9-2008
制造

请妥善保管本使用说明书
发行日期: 14/08/2012

Free Manuals Download Website

<http://myh66.com>

<http://usermanuals.us>

<http://www.somanuals.com>

<http://www.4manuals.cc>

<http://www.manual-lib.com>

<http://www.404manual.com>

<http://www.luxmanual.com>

<http://aubethermostatmanual.com>

Golf course search by state

<http://golfingnear.com>

Email search by domain

<http://emailbydomain.com>

Auto manuals search

<http://auto.somanuals.com>

TV manuals search

<http://tv.somanuals.com>