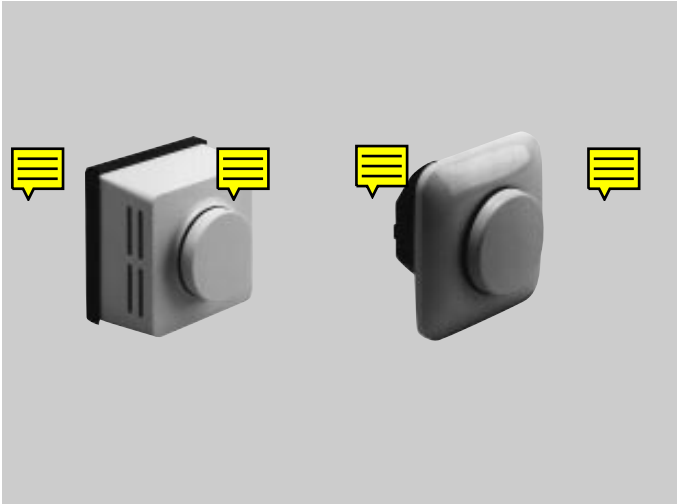


LPS 100/00, LPS 100/01 - Manual potentiometers

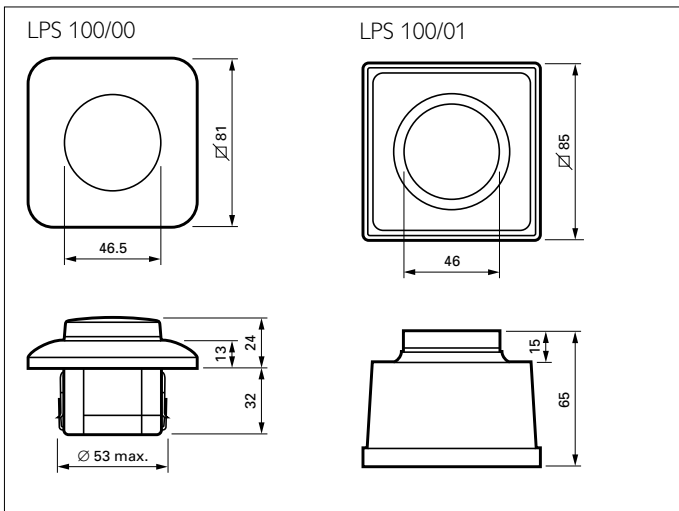


Product details

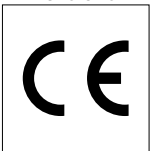
- LPS 100/00 and LPS 100/01
- Manual linear potentiometer combined with a micro switch
- Rotary potentiometer for recessed (LPS 100/00) or surface mounting (LPS 100/01)
- Housing material ABS, colour white
- Screw type terminals for solid wire cross section 2.5mm²

Applications

- The potentiometers are used in combination with the electronic HF light-regulating ballasts for manually controlling the light level of fluorescent lamps in areas such as offices, meeting rooms, etc.
- The built-in microswitch enables the lights to be switched on and off by means of a separate relay or contactor.
- The potentiometers can also be used for setting the reference level in light sensor controlled installations.



Dimensions in mm



Let's make things better.

**Philips
Lighting**



PHILIPS

LPS 100/00, LPS 100/01 - Manual potentiometers

Related equipment

- Electronic ballasts
- Trios multipurpose light controller

LRC 1020 / LRC 1025
LRC 1030 / LRC 1035

Technical data

Type	Output voltage	current	Microswitch max. voltage	Switching capacity	
				Ballast type	Max. allowed load
LPS 100/00	1 -10 Vdc	max. 50 mA,	250 Vac	BHF xxx D	1 A nom.
LPS 100/01		(current sinking)		BPL xxx D	1 A nom.
				ETC 118 R	3 ballasts
				ETC 136 R	2 ballasts
				ETC 158 R	2 ballasts
				ETC 2xx R	1 ballast
				HF-R 118	6 ballasts
				HF-R 218	5 ballasts
				HF-R 136	4 ballasts
				HF-R 236	3 ballasts
				HF-R 158	4 ballasts
				HF-R 258	2 ballasts

Remarks

- If more than the allowed number of ballasts have to be switched, an external contactor must be used (see wiring diagram under miscellaneous).
- For electronic ballasts the in-rush current is the limiting factor.

Packing data

Type	Dimensions mm	Qty	Material	Weight (kg)	
				net	gross
LPS 100/00					
Unit box	96 x 88 x 75	1	cardboard	0.088	0.120
Outer box	588 x 383 x 221	60	cardboard	5.280	8.100
LPS 100/01					
Unit box	96 x 88 x 75	1	cardboard	0.142	0.175
Outer box	588 x 383 x 221	60	cardboard	8.520	11.300

Ordering data

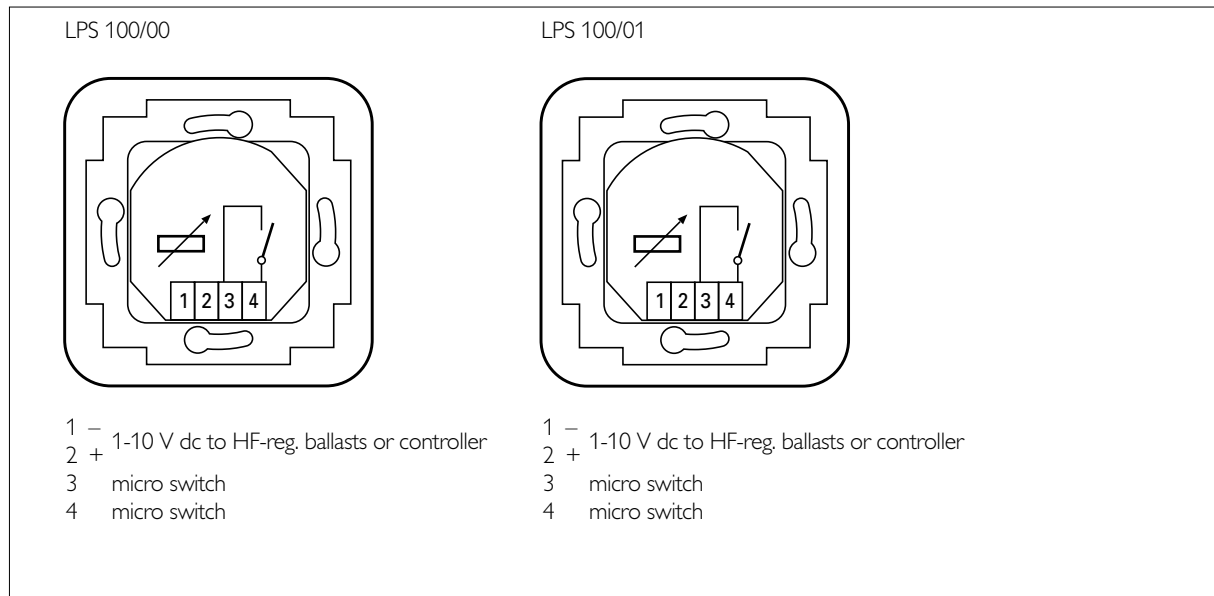
Type	MOQ	Ordering number	EAN code level 1	EAN code level 3
LPS 100/00	60	9134 995 89901	87 11559 516578	87 11559 516592
LPS 100/01	60	9134 996 39901	87 11559 516585	87 11559 516608

LPS 100/00, LPS 100/01 - Manual potentiometers

Miscellaneous

- The outgoing low-voltage leads and the mains voltage leads should be kept separate from each other.

Electrical connections



Related documentation

- Installation instruction
- Trios System Handbook LCH 1099



(English)
(English)



3222 609 26301
9137 010 00503

LPS 100/00, LPS 100/01 - Manual potentiometers

3222 636 30040
2/98
Printed in the Netherlands
Data subject to change



PHILIPS

Free Manuals Download Website

<http://myh66.com>

<http://usermanuals.us>

<http://www.somanuals.com>

<http://www.4manuals.cc>

<http://www.manual-lib.com>

<http://www.404manual.com>

<http://www.luxmanual.com>

<http://aubethermostatmanual.com>

Golf course search by state

<http://golfingnear.com>

Email search by domain

<http://emailbydomain.com>

Auto manuals search

<http://auto.somanuals.com>

TV manuals search

<http://tv.somanuals.com>