

# Quick Use Guide

Use this simple and quick way to watch your favorite DVD movie and enjoy your Home Cinema experience!

## To connect your LX3000 Home Cinema Surround Receiver:

### 1 SPEAKER CONNECTIONS x5

- Connect the Front Right (+,-) speaker wires to the FR (Red +,-) speaker terminals on the Receiver.
- Connect the Front Left (+,-) speaker wires to the FL (White +,-) speaker terminals.
- Connect the Center speaker wires to the C (Green +,-) speaker terminals.
- Connect the Surround Right (rear speaker) wires to the SR (Gray +,-) speaker terminals.
- Connect the Surround Left (rear speaker) wires to the SL (Blue +,-) speaker terminals.
- Connect the Subwoofer speaker AUDIO INPUT jack to the WOOFER LINE OUT jack on the receiver. Use the supplied black cable with RCA connectors on each end.

### 2 VIDEO CONNECTION x1

- Connect the yellow VIDEO OUT jack on the Receiver to the matching VIDEO IN jack on the TV.

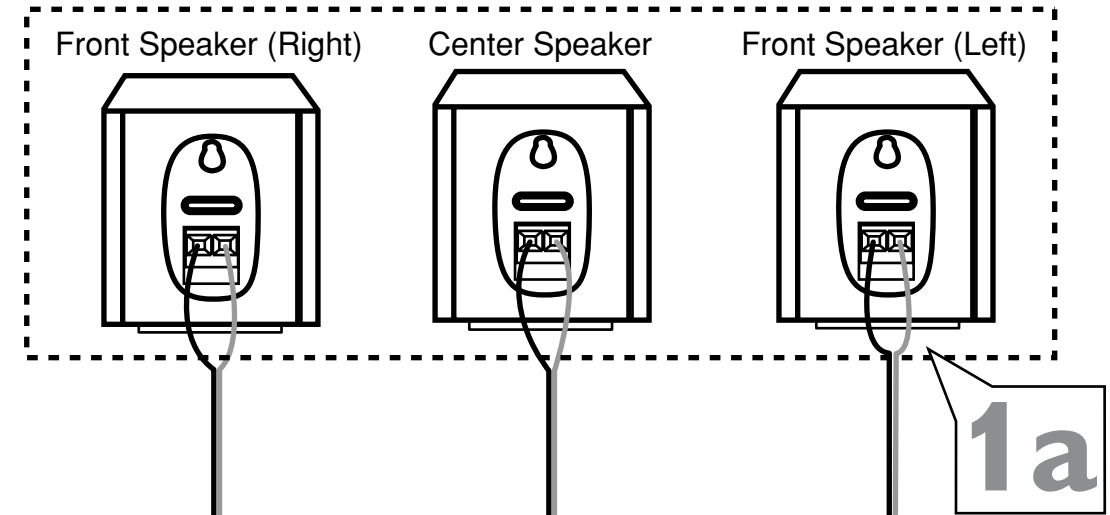
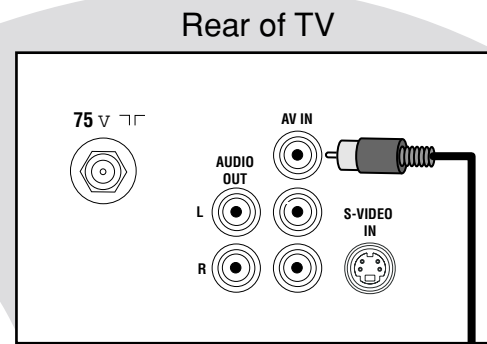
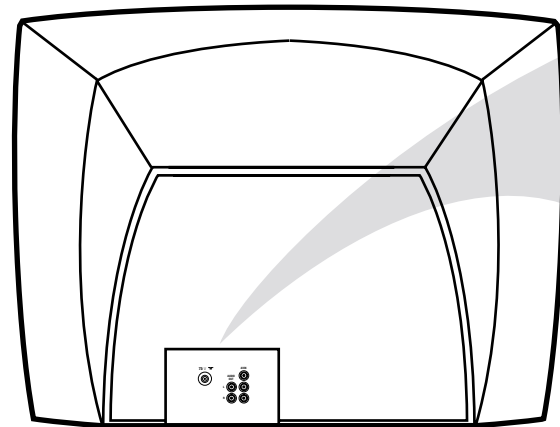
#### OPTIONAL TV Audio Connection

In order to listen to normal TV broadcast channels through the Home Cinema Surround Receiver (if your TV has AUDIO OUT jacks) you must make an audio connection.

**IMPORTANT!** The Receiver will use all surround sound speakers only if the TV broadcast is in a surround sound format (Dolby Digital, DTS, Dolby Pro Logic). If the broadcast is in stereo only, some of the surround speakers will not be active.

- Connect the red and white pair of audio cables from the TV AUDIO IN (Left & Right) jacks on the Receiver to the AUDIO OUT (Left & Right) jacks on the TV.

**NOTE:** When listening to TV programs, the Receiver must be set to the AUX mode for the sound to be heard.

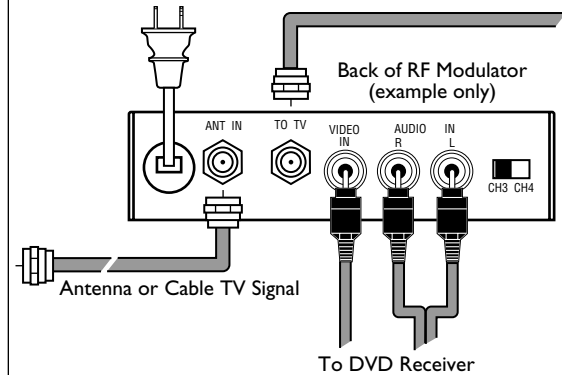


#### HELPFUL HINTS

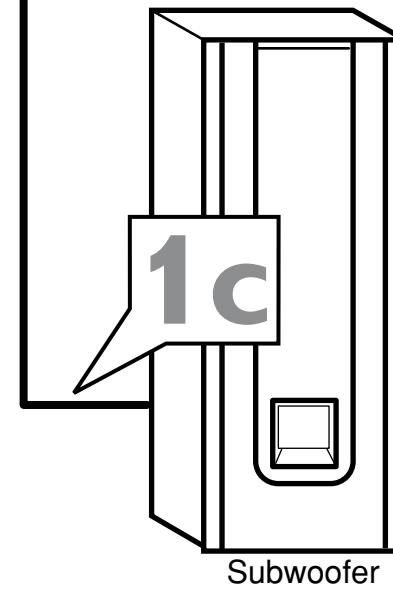
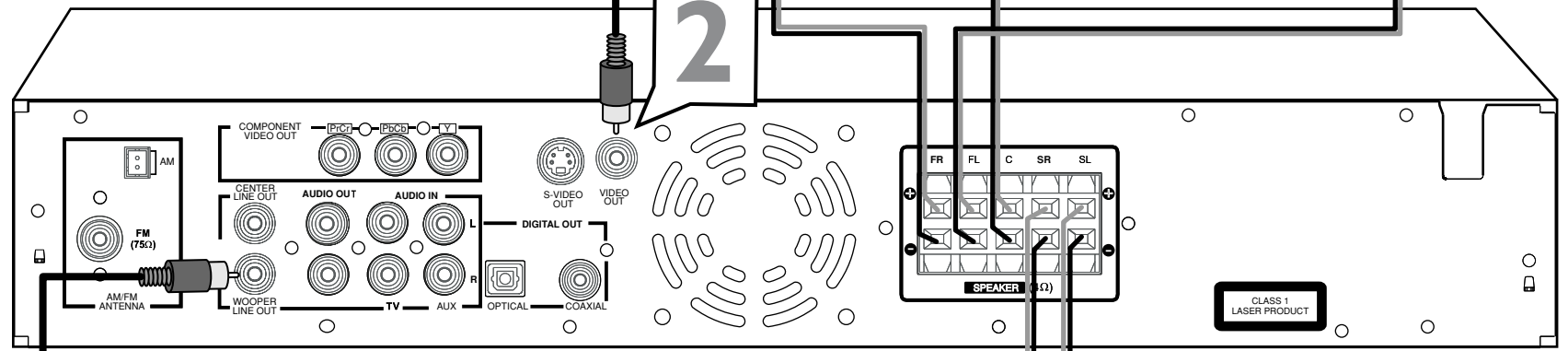
Your TV capability determines which type of video connection you can make with the DVD Receiver.

**If your TV only has a single Antenna In jack, you will need an accessory RF Modulator** to view DVD playback on your TV. The RF Modulator converts the video from the Receiver so it can play through the TV's Antenna connector.

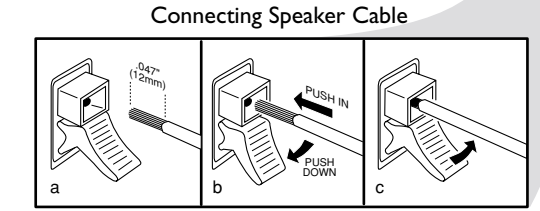
See your electronics retailer or contact Philips for details on RF Modulator availability. If you use an RF modulator, set the TV to channel 3 or 4. Set the RF modulator's 3/4 switch to the same channel.



**If your TV has S-Video or Component (PB PR Y) jacks** you can connect the receiver using one of these for a higher quality connection. See your instruction manual for details.



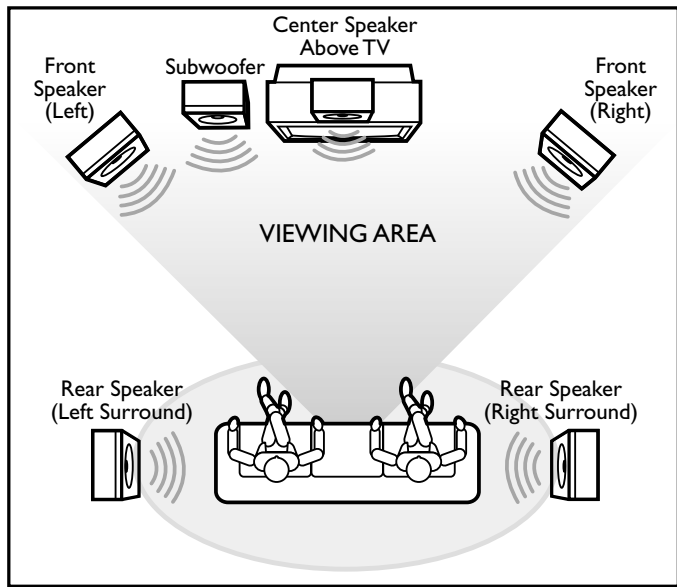
Note: You must turn on the power switch on the front of Subwoofer when in operation.



Flip the page to start DVD playback and arrange the surround speakers.

# Quick Use Guide

## Surround Sound Speaker Setup



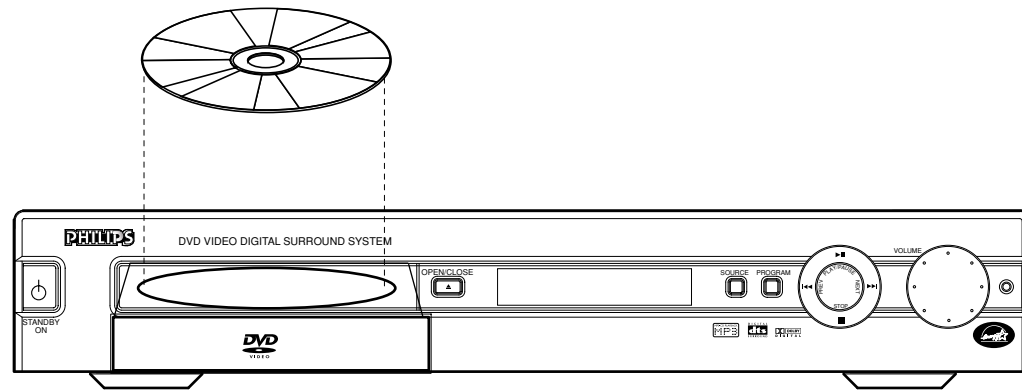
After the speaker connections are complete, place all the speakers in their proper locations. The speaker arrangement is what allows you to enjoy a Surround Sound experience in your own home. You will now be able to hear theater sound realism with audio signal separation and pinpoint sound placement.

### PLACING SPEAKERS

- Place the **Front Left and Right** speakers at equal distances from the TV. Turn the speakers to an approximate 45 degree angle from the listening position.
- Place the **Center** speaker above (or below) the TV to localize the center channel sound.
- Place the **Surround** speakers at normal listening ear level, facing each other or mounted on the wall.
- Place the **Subwoofer** on the floor near the TV.

#### NOTES:

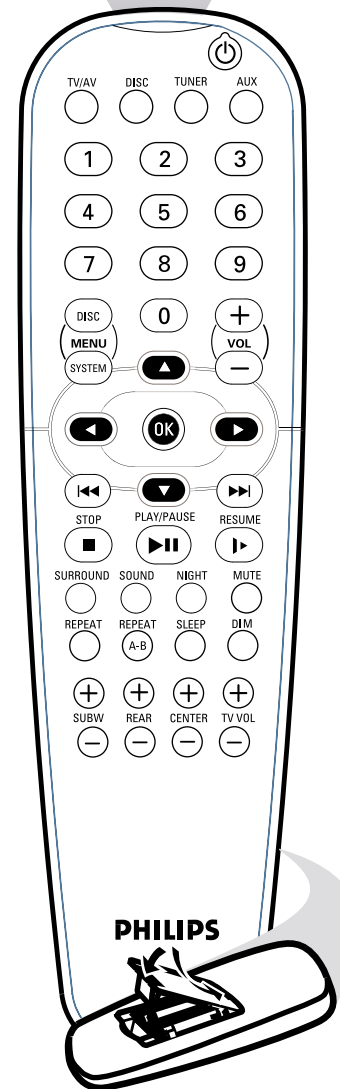
- To avoid magnetic interference, do not position the Front speakers too close to your TV.
- If the Rear Surround speakers are installed farther away from the listening position than the front and center speakers, it will weaken the Surround effect.
- All speakers should be securely installed to prevent accidents and improve sound quality.



## Playing a DVD

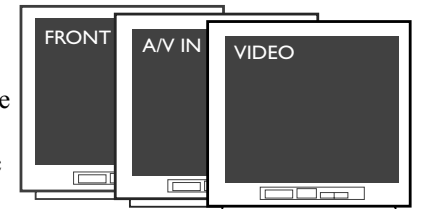
To play a DVD movie using the DVD Receiver, follow these steps:

- Press **STANDBY ON** on the front of the Receiver to turn on the power. You also can turn on the Receiver using the **DISC** button on the remote control (only if the **STANDBY•ON** button on the front of the Receiver is depressed).
- Turn on your TV.** Select the correct Video In mode (AV1, VIDEO, etc.) on the TV. You should see the DVD screen saver on the TV (if no Disc is in the Receiver).
- Note:** Your TV might have only a single connection for an antenna or VCR. If so, you will need an RF Modulator. See the reverse page of this guide for details. Set the TV to channel 3 or 4 if you use an RF Modulator.
- Press **OPEN•CLOSE** on the front of the Receiver to open the disc tray.
- Load your Disc** in the tray, with the label facing up. If the Disc (DVD) is two-sided, make sure the label for the side you want to play is facing up. Press **OPEN•CLOSE** again to close the tray.
- Playback may start automatically.** If not, press **PLAY•PAUSE** on the Receiver or remote.
- If a Disc menu appears, use the remote's direction arrows **▼▲◀▶** and **OK** button (or Number buttons) to select features or start playback from a menu. Follow the instructions in the Disc menu. See the owner's manual for additional playback features and their use.
- To stop playing the Disc,** press the **STOP ■** button.

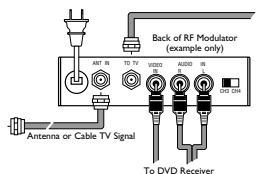


## \*Selecting Video Input on the TV

- If your TV has a video in jack, it should have a special setting or channel for video input. Usually these channels are between the lowest and highest channels and may be called **FRONT**, **A/V IN**, or **VIDEO**. See your TV instruction book for more specific instructions.



- If you only have a single antenna jack on the TV, you will need an RF modulator to connect the Receiver to your TV. The RF Modulator converts the Video from the Receiver so it can play through the TV's Antenna connector. When using an RF Modulator, you view DVD playback on TV channel 3 or 4 (like a VCR).



See your electronics retailer or contact Philips for details on RF Modulator availability.

#### Playable Discs

This DVD Receiver will play the following types of Discs: prerecorded Audio CDs, finalized Audio CD-R and Audio CD-RW discs, Video CDs, Super VCDs, DVDs, and MP3-CDs (CD with MP3 tracks)

#### Region Codes



DVDs must be labeled for ALL regions or for Region 1 in order to play on this Home Cinema system. You cannot play Discs that are labeled for other regions. If one of these logos appears on your DVD or its case, it should play on this DVD Receiver.

#### To Load Remote Batteries:

- Open and remove compartment door.
- Place batteries in case as marked. (Aligned +,- properly).
- Replace and close compartment door.

## Free Manuals Download Website

<http://myh66.com>

<http://usermanuals.us>

<http://www.somanuals.com>

<http://www.4manuals.cc>

<http://www.manual-lib.com>

<http://www.404manual.com>

<http://www.luxmanual.com>

<http://aubethermostatmanual.com>

Golf course search by state

<http://golfingnear.com>

Email search by domain

<http://emailbydomain.com>

Auto manuals search

<http://auto.somanuals.com>

TV manuals search

<http://tv.somanuals.com>