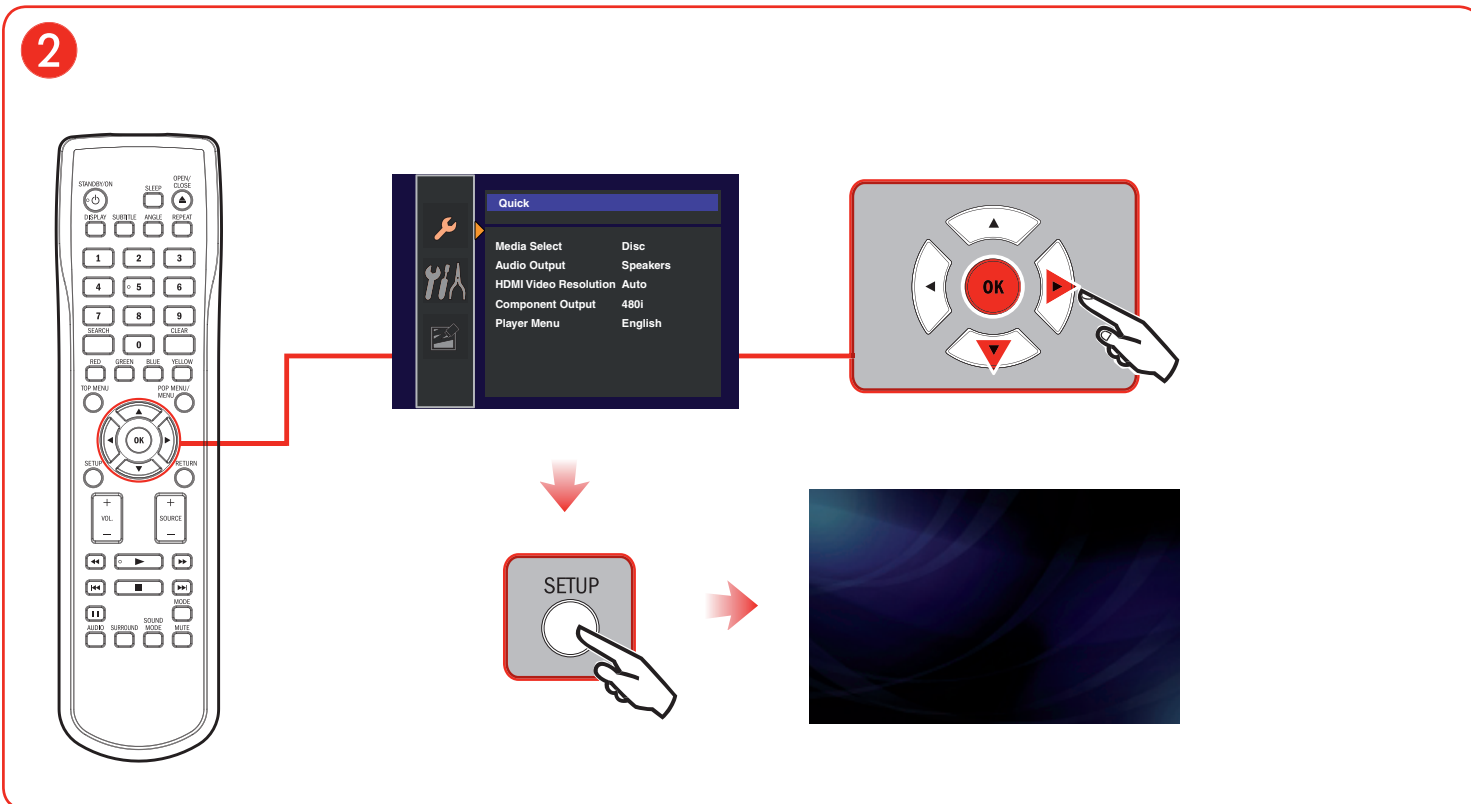
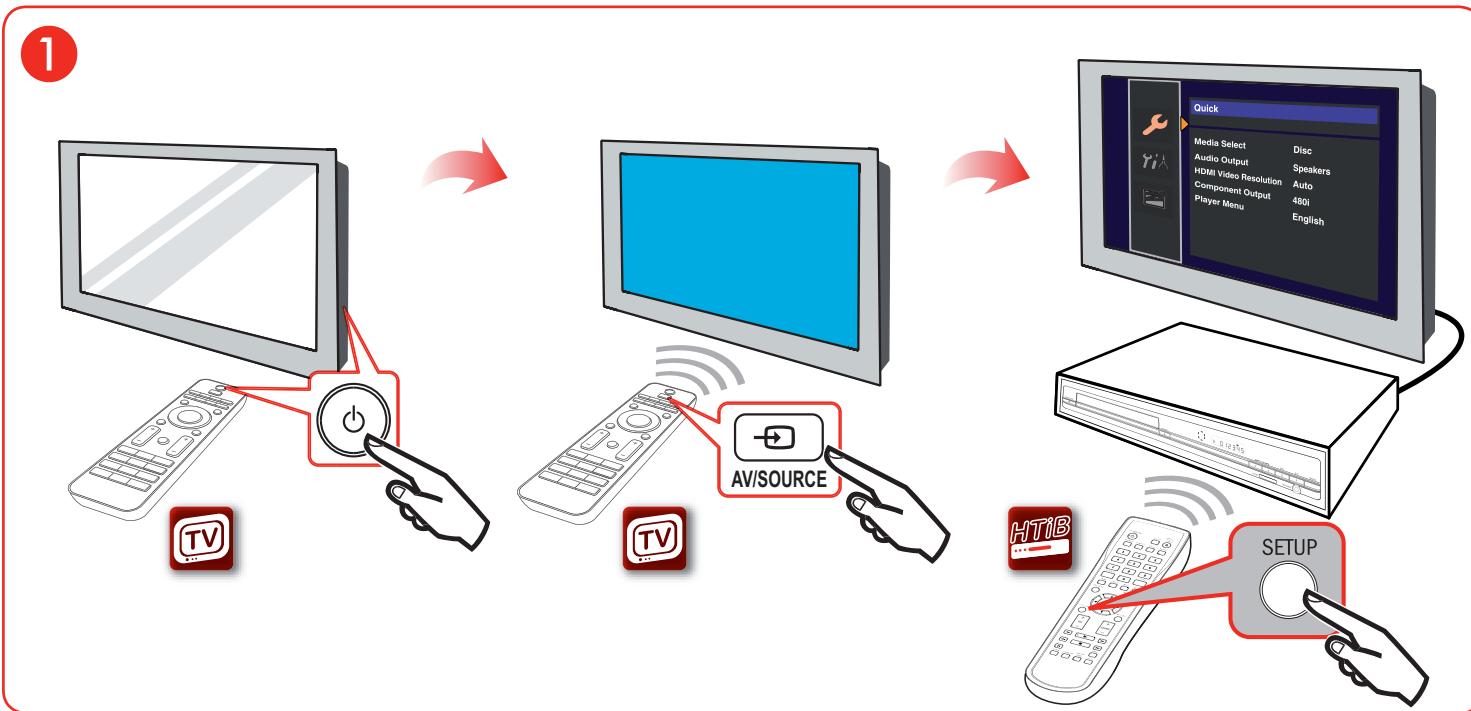


Language Select (Player Menu)



Quick Start Guide



Main unit

- Remote Control (NC000UD)
- Batteries (AA, 1.5V x 2)

FM wire antenna (WX1E9000-081)

Video cable (WPZ1520TM002 / WPZ152SCP003)

1 center, 2 front, 2 rear speakers and 1 subwoofer

Owner's Manual (1VMN29273)

Quick Start Guide (1VMN29274)

Need help?

Owner's Manual

See the owner's manual that came with the main unit.

Online

Go to: www.magnavox.com/support
www.funaiservice.com/

Hotline

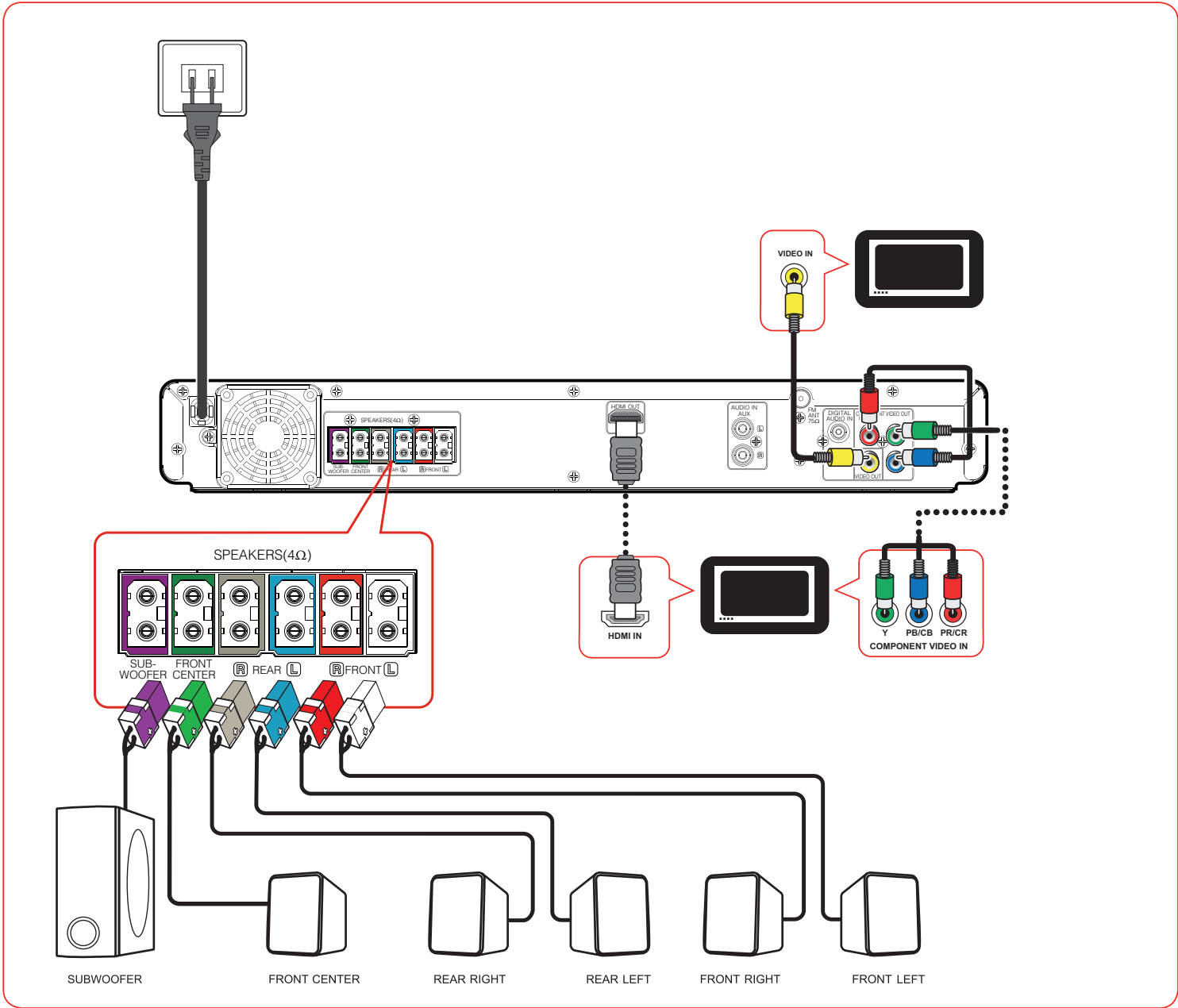
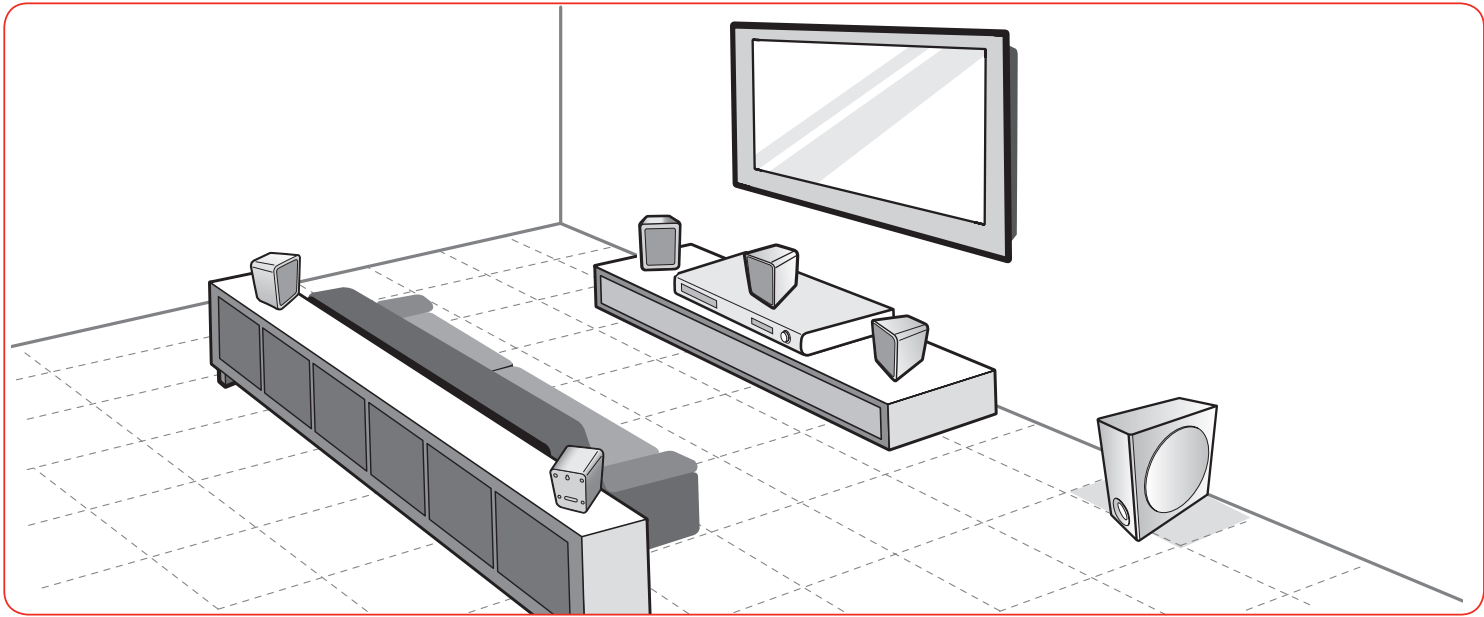
Call 1-800-605-8610 for our operators.

© 2010 Funai Electric Co., Ltd.

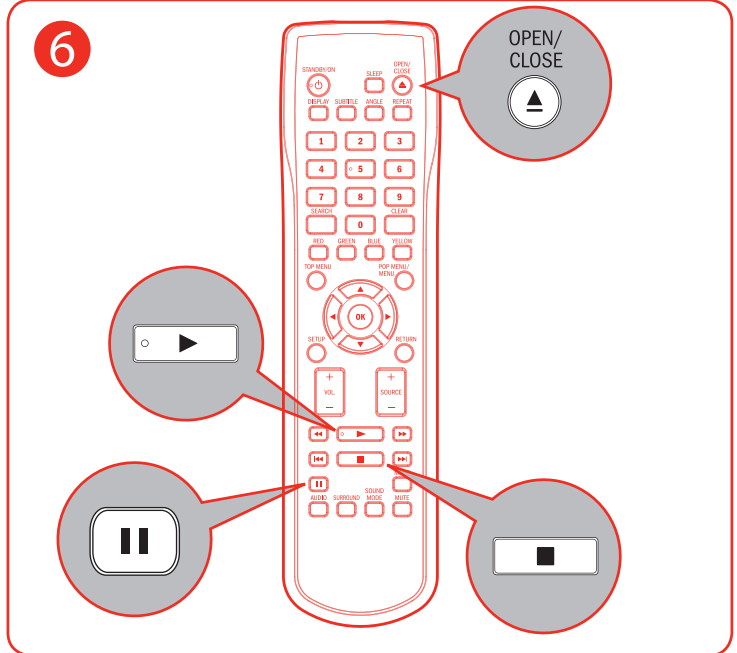
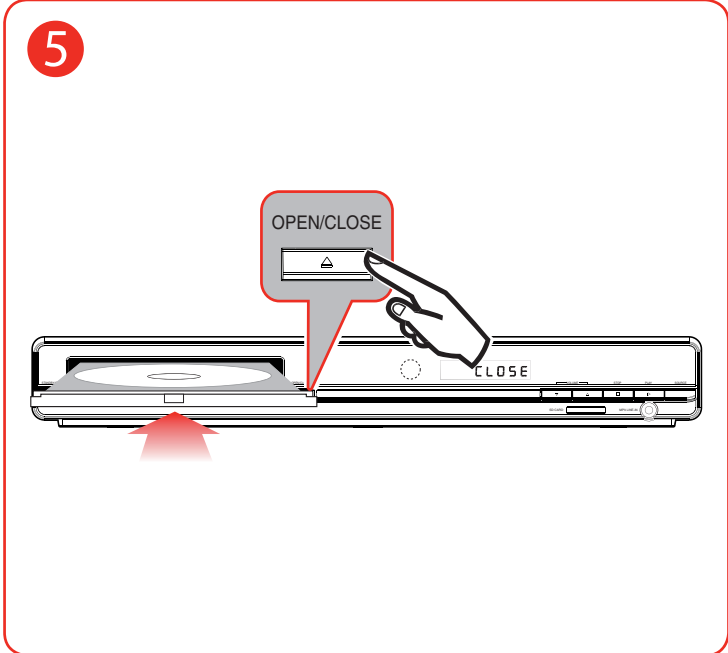
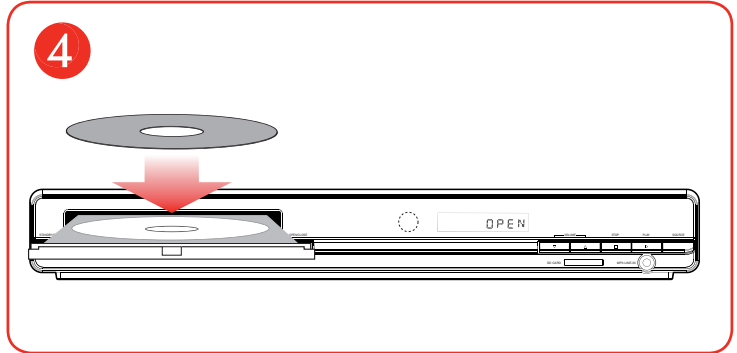
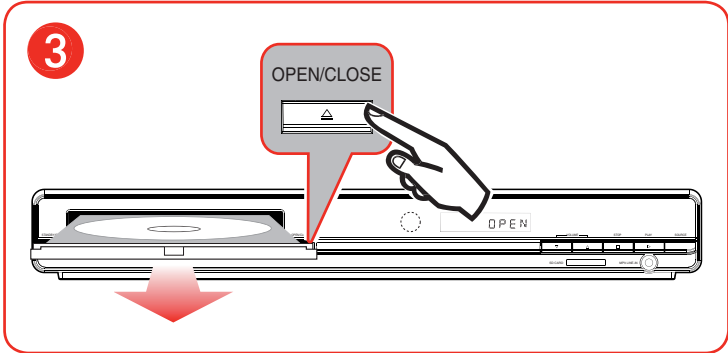
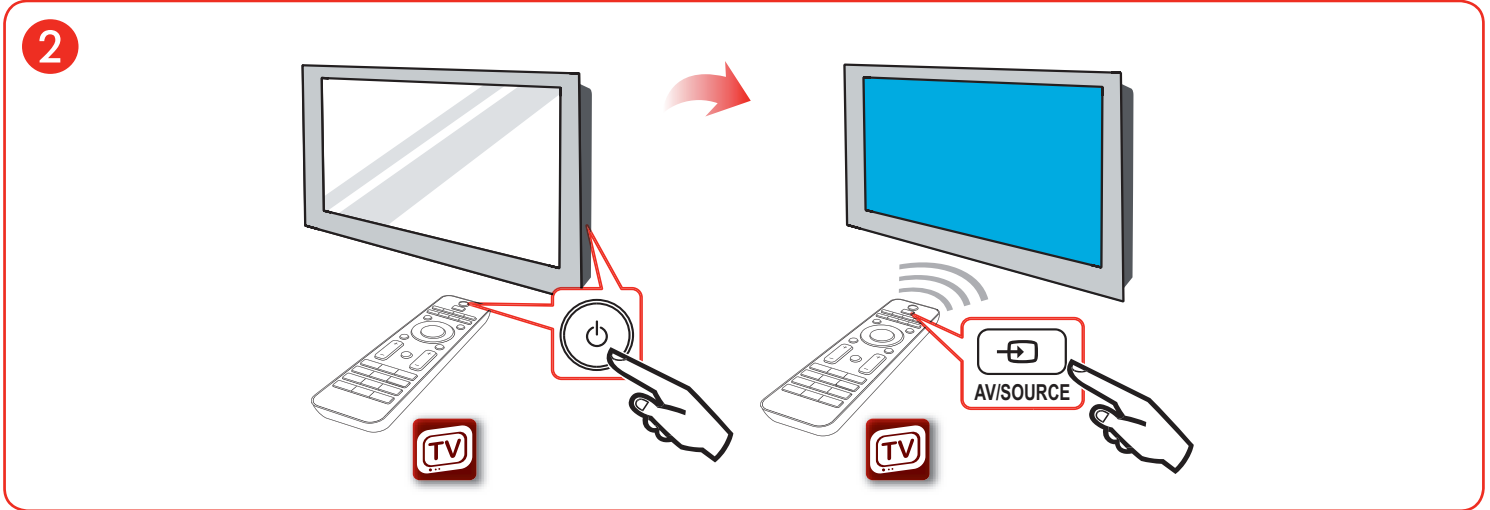
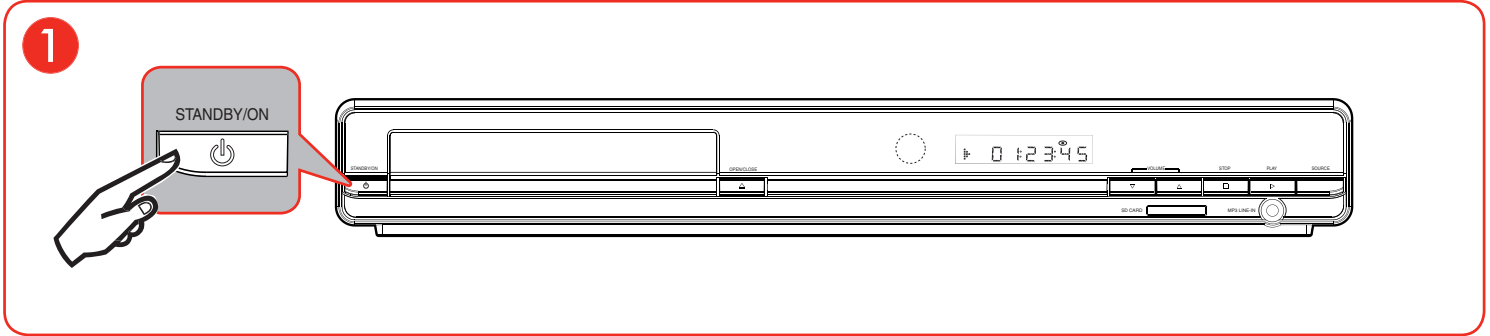
Printed in China
 E1S10UD_E1S12UD
 1VMN29274A ★★★★★



1



2



Free Manuals Download Website

<http://myh66.com>

<http://usermanuals.us>

<http://www.somanuals.com>

<http://www.4manuals.cc>

<http://www.manual-lib.com>

<http://www.404manual.com>

<http://www.luxmanual.com>

<http://aubethermostatmanual.com>

Golf course search by state

<http://golfingnear.com>

Email search by domain

<http://emailbydomain.com>

Auto manuals search

<http://auto.somanuals.com>

TV manuals search

<http://tv.somanuals.com>