

Quick Start Guide

CONTENTS

INSTALLING LCD TV ON THE WALL . . . 1	TUNER MODE CONTROL 5
UNFOLD THE BASE. 1	AUTO PROGRAM (SETTING UP CHANNELS) 5
TV CHANNEL INSTALLATION 2	CABLE BOX (WITH RF IN/OUTPUTS) . . 6
PRESENTATION OF THE LCD TV 2	CABLE BOX (WITH AUDIO/VIDEO OUTPUTS) 6
ACCESSORIES. 3	S-VIDEO CONNECTIONS 7
BATTERY INSTALLATION 3	HD CONNECTIONS 7
REMOTE CONTROL OPERATION 3	PC (MONITOR) INPUTS 8
ANTENNA TV 4	
BASIC CABLE TV CONNECTION 4	

IMPORTANT

NOTE: This quick setup guide is used with several different LCD TV models. Not all features (and drawings) discussed in this manual will necessarily match those found with your LCD TV set. This is normal and does not require that you contact your dealer or request service.

WARNING: TO PREVENT FIRE OR SHOCK HAZARD DO NOT EXPOSE THIS UNIT TO RAIN OR EXCESSIVE.

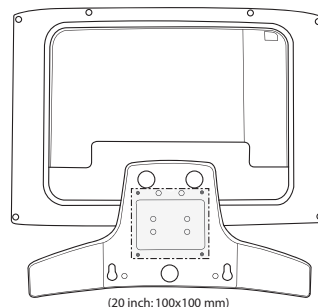
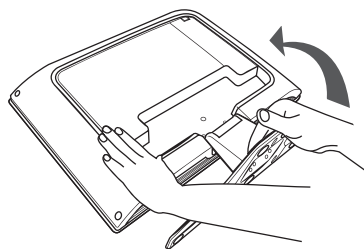
INSTALLING LCD TV ON THE WALL

The stand of your LCD TV complies with the VESA standard, if you intend to install the LCD TV on the wall, please consult a professional technician for proper installing.

Wall Mounting of your LCD TV :

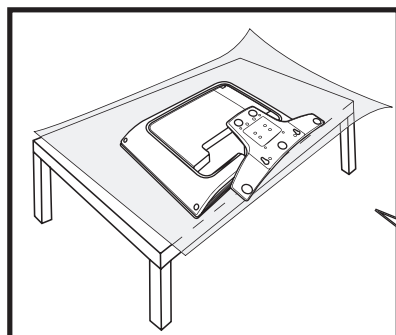
- 1 Put your LCD TV set on a safe and flat surface, then fold the base backward.
Note: To fold the base requires a degree of force.
- 2 Use for the TV set a Vesa compliant wall mount (not included).
(For 20 inch: 100x100 mm)
- 3 Use for installation by a professional technician.

Note: The manufacture accepts no liability, ensure installation is done by a professional technician.

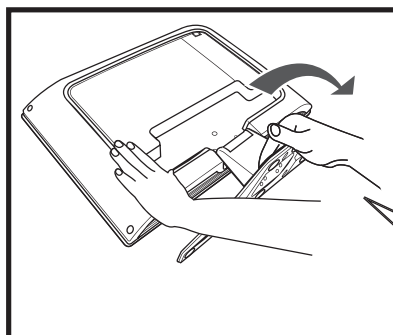


UNFOLD THE BASE

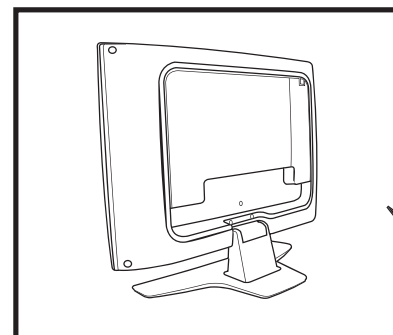
Expanding the base requires a degree of force; please use sufficient force to unfold the base. When unfolding the base, place the TV on a flat, sturdy surface before expanding the base.



1



2



3

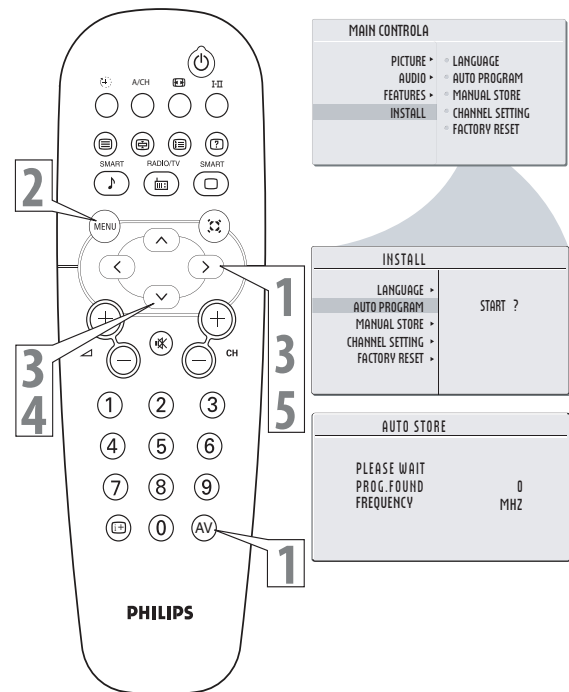
TV CHANNEL INSTALLATION

Immediately after unpacking and plugging in your new television, run the auto program function to set up the TV for the broadcast or cable channels available in your area. If you do not run the auto program function to set up the channels, your television may not operate properly.

Please follow these steps to install TV channels:

- 1 Select a TV source via AV button on your remote control. Press the CURSOR RIGHT button to confirm.
- 2 Press MENU button on your remote control to open the onscreen menu.
- 3 Press CURSOR DOWN to move to INSTALL, press CURSOR RIGHT on your remote control to enter INSTALL.
- 4 Press CURSOR DOWN to move to AUTO PROGRAM.
- 5 Press CURSOR RIGHT to start auto install the TV Channels.

For more detailed explanation of **AUTO PROGRAM**, please refer to **AUTO PROGRAM** section on page 5.

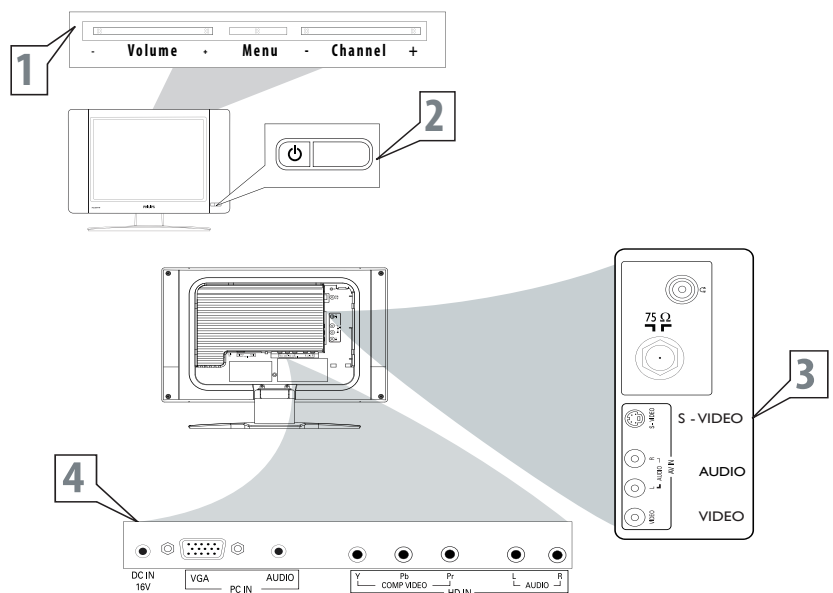


PRESENTATION OF THE LCD TV

- 1 **Television Keys**
 - VOLUME + / - : To adjust sound level.
 - CHANNEL + / - : To select programs.
 - MENU : To access or close onscreen menu.
- 2 **Power button, LED light and infrared sensor**
 - : To switch the TV on or off.
 - Aim remote control at infrared sensors to activate TV controls.
- 3 **Rear connectors**

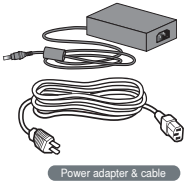
Remove the cable cover to access the connectors at the rear of the LCD TV.
- 4 **Bottom connectors**

Located at the bottom of the set.

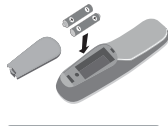


ACCESSORIES

When you unpack this unit, make sure it includes the following:



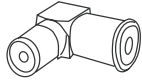
Power adapter & cable



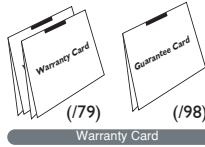
Remote control & batteries



Owner's Manual & Quick Start Guide



Tuner L-Adapter



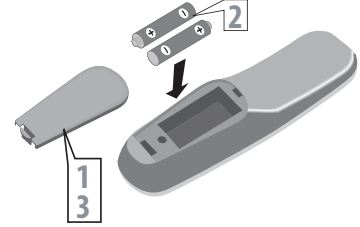
(/79)

(/98)

Warranty Card

BATTERY INSTALLATION

- 1 Remove the battery compartment lid on the bottom of the remote control.
- 2 Place lithium cell in the remote control. Be sure the (+) and (-) ends of the batteries line up as marked inside the battery (CR2025) compartment.
- 3 Reattach the battery compartment lid.



REMOTE CONTROL OPERATION

Previous Channel button

Press to go to previously selected channel.

Sleep button

Press to set the LCD TV to turn itself off within a certain time.

Teletext keys

Smart Sound button

Press repeatedly to select among the 4 settings; Personal, Voice, Music, or Theatre.

Menu button

Press to activate onscreen menu, back to previous level inside the onscreen menu, or press to exit the onscreen menu.

Volume button

Press to increase or decrease the sound level.

Mute button

Press to eliminate or restore the LCD TV sound. Mute will appear on the screen when the sound is muted.

Number buttons

Press the number buttons for direct access to the TV channels. For a 2 digit channel, enter the 2nd digit after enter 1st digit.

Information button

Press to see the current channel number on the TV screen.

Unused key

Power button

Press to turn the LCD TV on or off.

I-II button / Sound mode

Press repeatedly to select Mono, Stereo, Dual I, Dual II, Nicam Mono, Nicam Stereo, Nicam Dual I, Nicam Dual II.

Picture Format button

Press the FORMAT button repeatedly to toggle among the three screen format sizes; 4:3, EXPAND 4:3, COMPRESS 16:9.

Smart Picture button

Press repeatedly to select either Personal, Rich, Natural, Soft, or Multimedia picture setting.

Virtual Surround button

Adds greater depth and dimension to TV sound. Select from ON or OFF.

Cursor Buttons

(Left, Right, Up, Down)-

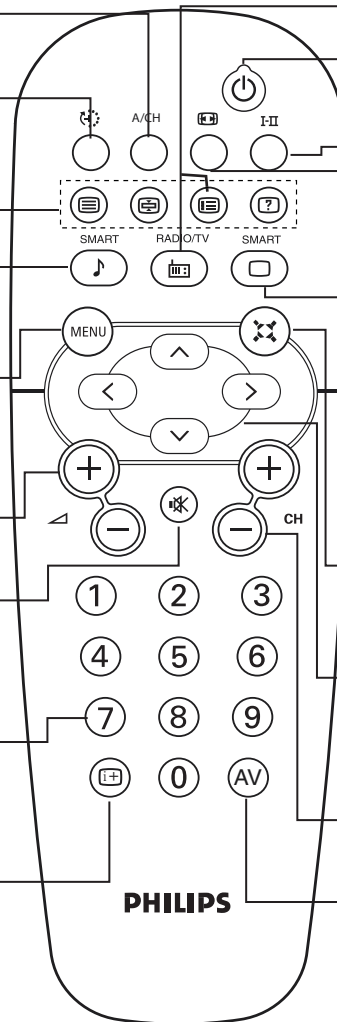
Press these buttons to highlight, select, and adjust items on the TV's on screen menu.

Channel button

Press to adjust the channel up or down.

AV button

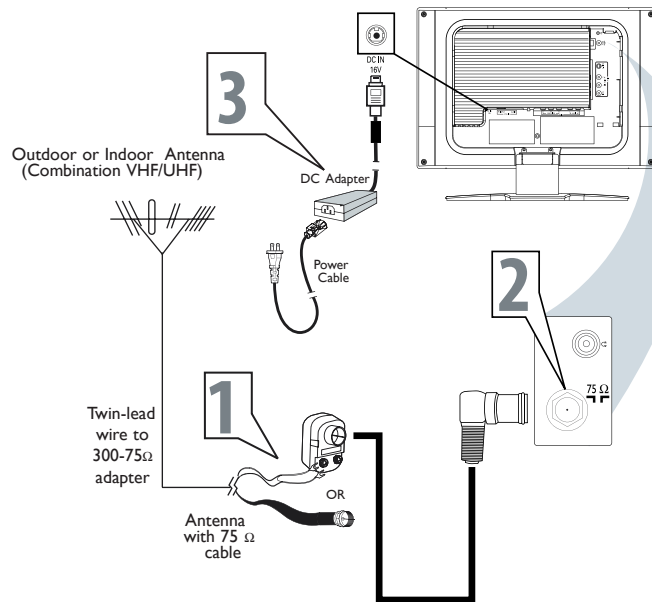
Press to select the video input source: PC, TV, AV, S-Video, HD.



ANTENNA TV

A combination antenna receives normal broadcast channels (VHF 2–13 and UHF 14–69). Your connection is easy because there is only one 75 Ω (ohm) antenna jack on the side of your TV, and that's where the antenna goes.

- 1 If your antenna has a round cable (75 ohm) on the end, then you're ready to connect it to the LCD TV. If your antenna has flat, twin-lead wire (300 ohm), you first need to attach the antenna wires to the screws on a 300- to 75-ohm adapter (not supplied).
- 2 Connect the antenna (or adapter) to one end of the supplied L-Adapter as shown, and connect the other end of the L-Adapter to the TV jack on the side of the LCD TV.
- 3 Plug the DC adapter into the DC IN 16V jack on the LCD TV. Plug the power cable into an outlet and switch TV set on.
- 4 Run the AUTO PROGRAM function to set up the TV for the broadcast or cable channels available in your area. If you do not run the auto program function to set up the channels, your television may not operate properly.



HELPFUL HINT

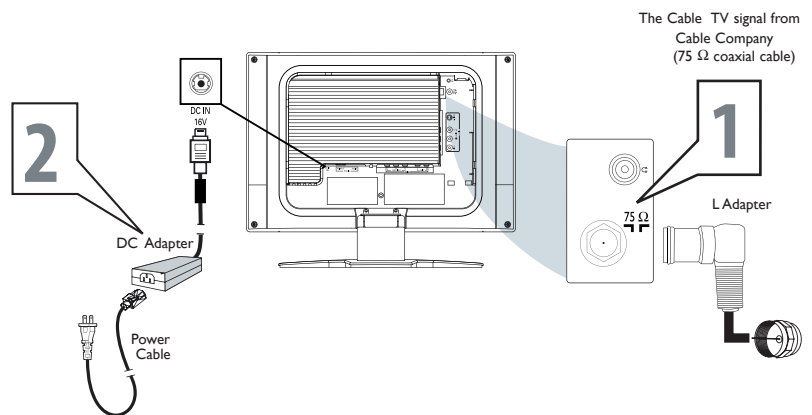
- Remember, an antenna or cable TV signal must first be connected to your LCD TV.
- Please make sure that you have selected the TV mode with AV key on your remote control, before installing TV channels.

BASIC CABLE TV CONNECTION

Your Cable TV input into your home may be a single (75 ohm) cable or use a cable box decoder. In either case the connection is very simple. Follow the steps below to connect your cable signal to your new television.

Direct cable connections:

- 1 Connect the Cable TV signal to one end of the supplied L-Adapter as shown, and connect the other end of the adapter to the TV jack on the LCD TV.
- 2 Plug the DC adapter into the DC IN 16V jack on the LCD TV. Plug the power cable into an outlet and switch TV set on.
- 3 Run the AUTO PROGRAM function to set up the TV for the broadcast or cable channels available in your area. If you do not run the auto program function to set up the channels, your television may not operate properly.



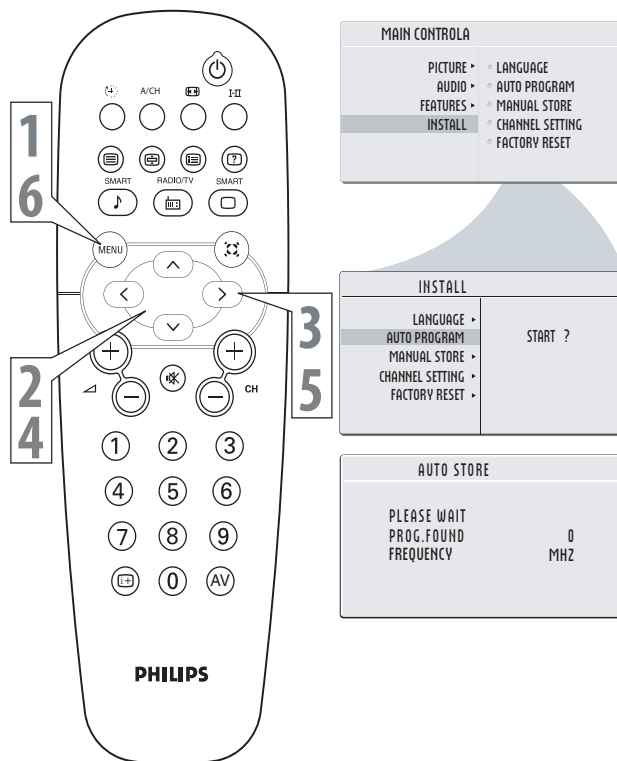
HELPFUL HINT

- Remember, an antenna or cable TV signal must first be connected to your LCD TV.
- Please make sure that you have selected the TV mode with AV key on your remote control, before installing TV channels.

AUTO PROGRAM (SETTING UP CHANNELS)

Your LCD TV can automatically set itself for local area (or cable TV) channels. This makes it easy for you to select only the TV stations in your area by pressing the CH+ or CH- button.

- 1 Press the MENU button on the remote control to show the onscreen menu.
- 2 Press the CURSOR DOWN button to highlight the INSTALL menu.
- 3 Press the CURSOR RIGHT button to enter the INSTALL menu.
- 4 Press the CURSOR DOWN button to highlight the AUTO PROGRAM control.
- 5 Press the CURSOR RIGHT button to start the AUTO PROGRAM scanning of channels.
- 6 Press the MENU button repeatedly to clear the menu from the screen, after AUTO STORE has finished.



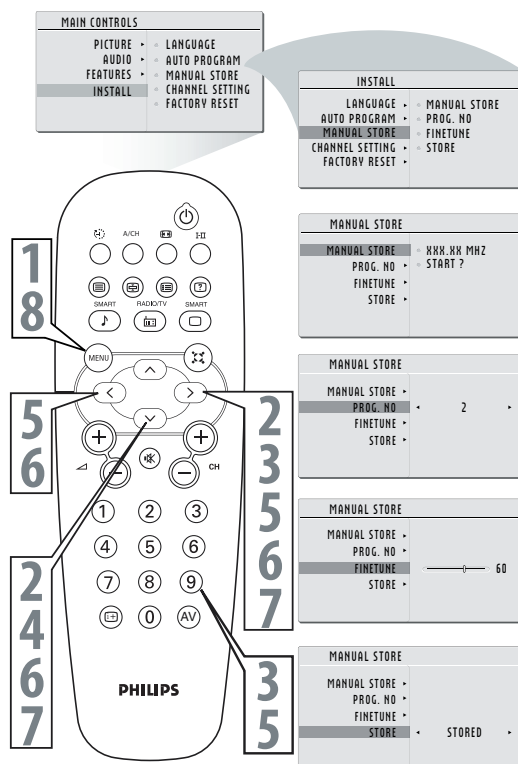
HELPFUL HINT

- Immediately after unpacking and plugging in your new television, run the auto program function to set up the TV for the broadcast or cable channels available in your area. If you do not run the auto program function to set up the channels, your television may not operate properly.
- After you've run Auto Program, check out the results. Press the CH(+) or the CH(-) button and see which channels you can select.
- Remember, an antenna or cable TV signal must first be connected to your LCD TV.

MANUAL STORE OF TV CHANNEL

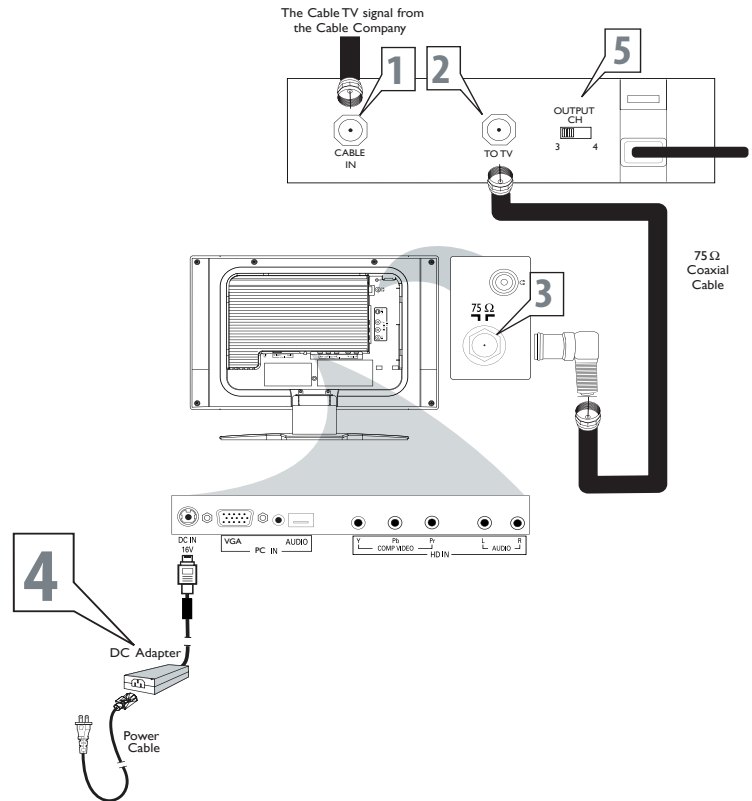
You can also choose to tune your TV channels. Manual tuning allows you to store each programme manually.

- 1 Press the MENU button on the remote control to show the onscreen menu.
- 2 Press the CURSOR DOWN button to highlight the INSTALL menu, then press CURSOR RIGHT to enter.
- 3 Select the MANUAL STORE, then press the CURSOR RIGHT button to activate auto search channel frequency or press number button to show your desired channel frequency.
- 4 After the channel frequency confirmed, select PROGRAM NO. by pressing CURSOR DOWN.
- 5 Press the number button or CURSOR RIGHT/LEFT to give the channel number.
- 6 If the channel reception is not satisfactory, press CURSOR DOWN button to highlight the FINETUNE. then press CURSOR RIGHT/LEFT to adjust. Note: If the channel reception is satisfactory, please go to step 7.
- 7 Press CURSOR DOWN to highlight STORE function. Press CURSOR RIGHT to confirm stored.
- 8 Press the MENU button repeatedly to clear the menu from the screen.



CABLE BOX (WITH RF IN / OUTPUTS):

- 1 Connect the Cable TV signal to the IN jack (or RF IN or CABLE IN) on the Cable Box.
- 2 Connect an RF coaxial cable (not supplied) to the OUT jack (or TO TV or RF OUT) of the Cable Box.
- 3 Connect the other end of the coaxial cable to one end of the supplied L-Adapter as shown, and connect the other end of the adapter to the TV jack on the LCD TV.
- 4 Plug the DC adapter into the DC IN I6V jack on the LCD TV. Plug the power cable into an outlet and switch TV set on.
- 5 Set the Channel 3/4 (or Output channel) switch of the Cable Box to 3 or 4. Set the TV to the same channel. When watching TV programming, change channels at the Cable Box, not the LCD TV.



HELPFUL HINT

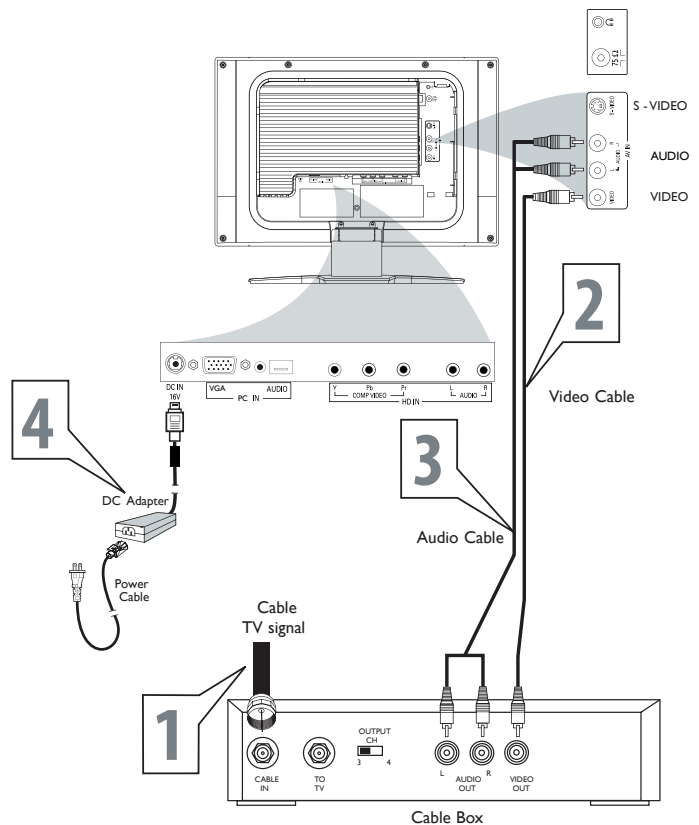
- Immediately after unpacking and plugging in your new television, run the auto program function to set up the TV for the broadcast or cable channels available in your area. If you do not run the auto program function to set up the channels, your television may not operate properly.
- Please make sure that you have selected the TV mode with AV key on your remote control, before installing TV channels.

CABLE BOX (WITH AUDIO / VIDEO OUTPUTS):

This connection will supply stereo sound to the LCD TV.

- 1 Connect the Cable TV signal to the IN jack (or RF IN or CABLE IN) on the Cable Box.
- 2 Using an RCA-type video cable (not supplied) connect one end of the video cable to the Video Out jack of the Cable Box. Connect the other end of the cable to the yellow VIDEO jack on the side of the TV. Video cables are usually marked with yellow and are available from Philips or electronics retailers. Video jacks on most equipment are yellow.
- 3 Using RCA-type, stereo audio cables (not supplied), connect one end of the cables to the left and right Audio Out jacks of the Cable Box. Connect the other end of that cable to the Audio jack on the side of the LCD TV. Audio cables are usually marked with red and white and are available from Philips or electronics retailers. The right audio jack is red and the left audio jack is white. Match the cable colors to the jack colors.
- 4 Plug the DC adapter into the DC IN I6V jack on the LCD TV. Plug the power cable into an outlet and switch TV set on.

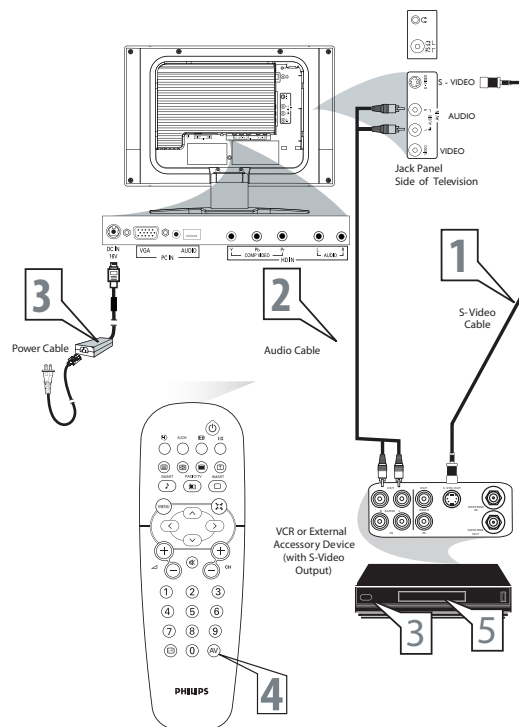
Note: Use the AV button on the remote control to tune to the AV channel for the cable box signal. Once tuned, change channels at the cable box, not the television. When you watch programs using VCR, it's recommended to select SOFT Mode via Smart picture.



S-VIDEO CONNECTIONS

The S-Video connection on the rear of the LCD TV can provide you with better picture detail and clarity for the playback of accessory sources such as DBS (digital broadcast satellite), DVD (digital video discs), video games, and VHS VCR (video cassette recorder) tapes than the normal antenna picture connections.

- 1** Connect an S-Video cable to the S-VIDEO jack of the other equipment (DVD Player, Camcorder, etc.) and to the S-VIDEO jack on the rear of the LCD TV.
- 2** Connect RCA-style audio cables (usually red and white) to the AUDIO OUT (left and right) jacks on the other equipment. Connect the other end of the cables to the AUDIO jack on the side of the LCD TV.
- 3** Plug the DC Adapter into the DC IN 16V jack on the LCD TV. Plug the power cable into an outlet. Turn on the LCD TV and other equipment.
- 4** Press the AV buttons to set the LCD TV to its S-VIDEO mode.
- 5** Press PLAY on the other equipment to view its material on the LCD TV.



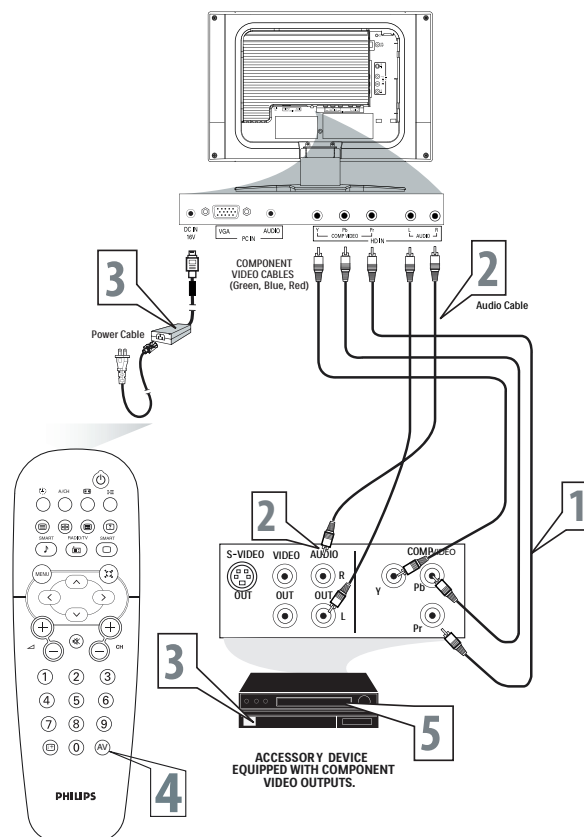
Note:

- The Philips LCD TV remote control can not be used to operate other video/audio equipment.
- The Audio jack of AV IN is shared between Video (CVBS) and S-Video signals. If Audio and Video is connected to S-Video input, you can still hear sound if you select Video via AV select, even there appears no image on screen.

HD CONNECTIONS

HD video input provide the highest possible color and picture resolution in the playback of digital signal source material, such as with DVD players. If you are using a HD (High Definition) receiver that can transmit high definition programming, the TV can accept those signals through the HD input located on the bottom of the TV.

- 1** Connect the HD (Y, Pb, Pr) Video OUT jacks from the DVD player (or similar device) to the HD VIDEO Input jacks on the bottom of the LCD TV.
- 2** Connect the red and white AUDIO CABLES to the Audio (left and right) output jacks on the rear of the accessory device to the AUDIO IN jack. Connect the other end of the cable to the Audio jack on the rear of LCD TV.
- 3** Plug the DC Adapter into the DC IN 16 V jack on the LCD TV. Plug the power cable into an outlet. Turn on the LCD TV and other equipment.
- 4** Press the AV button on the remote control to select HD. HD will appear in the upper left corner on the TV screen.
- 5** Insert a DVD disc into the DVD player and press the PLAY button on the DVD Player.



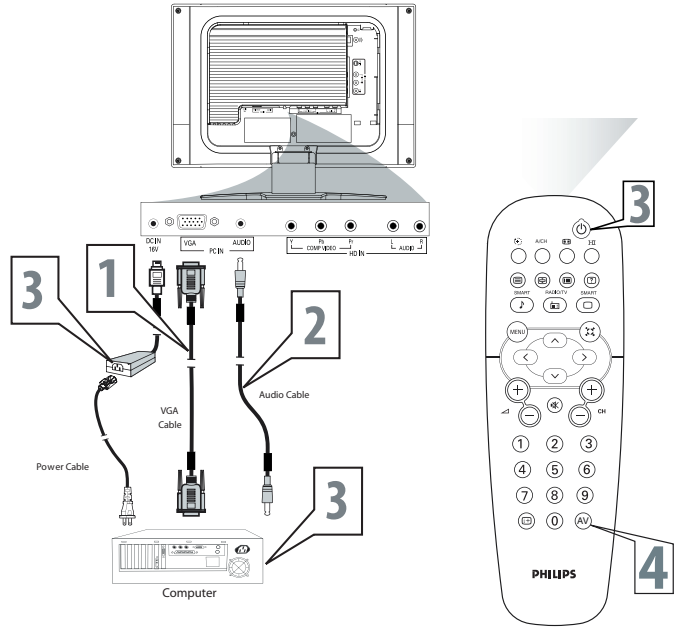
Note:

- The Philips LCD TV remote control can not be used to operate other video/audio equipment.

PC (MONITOR) INPUTS:

This LCD TV can be used as a PC. Your computer will have to be equipped with a VGA type video output and interface cable (not supplied). (One end with VGA type connector, the other end with D-SUB type connector.)

- 1** Connect VGA end of the interface cable (not supplied) to the computer, while connecting the other ends to the D-SUB INPUT jack on the LCD TV.
- 2** Although audio connections are not required, the LCD TV can reproduce the computers audio out by an AUDIO ADAPTER to the Audio output jack on the computer (if available) while connecting the other ends of the Audio cables to the PC AUDIO Jacks on the bottom of the TV.
- 3** Plug the DC Adapter into the DC IN 16V jack on the LCD TV. Plug the power cable into an outlet. Turn on the LCD TV and PC.
- 4** Press the AV button until PC MODE appears on the screen.



HELPFUL HINT

- For PC function, it just accepts analog input via D-Sub type connector.

Free Manuals Download Website

<http://myh66.com>

<http://usermanuals.us>

<http://www.somanuals.com>

<http://www.4manuals.cc>

<http://www.manual-lib.com>

<http://www.404manual.com>

<http://www.luxmanual.com>

<http://aubethermostatmanual.com>

Golf course search by state

<http://golfingnear.com>

Email search by domain

<http://emailbydomain.com>

Auto manuals search

<http://auto.somanuals.com>

TV manuals search

<http://tv.somanuals.com>