

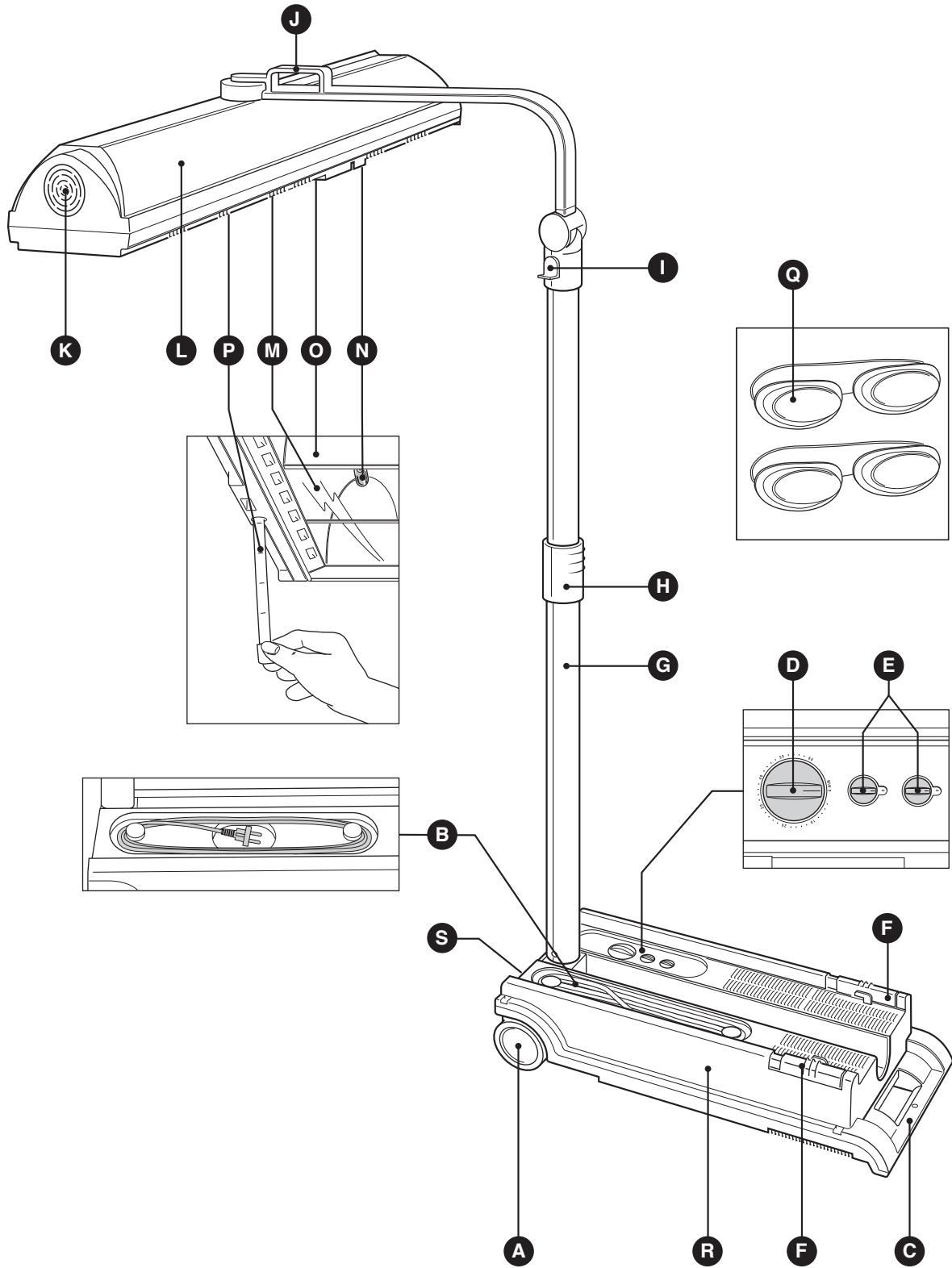
# Suncare

Sun Mobile

HB823



# PHILIPS



<b>ENGLISH</b>	4
<b>DANSK</b>	8
<b>DEUTSCH</b>	12
<b>ESPAÑOL</b>	16
<b>FRANÇAIS</b>	20
<b>ITALIANO</b>	24
<b>NEDERLANDS</b>	28
<b>NORSK</b>	32
<b>PORTUGUÊS</b>	36
<b>SVENSKA</b>	40
<b>TÜRKÇE</b>	44

## Introduction

### The sun

The sun supplies various types of energy. Visible light enables us to see, ultraviolet (UV) light gives us a tan and the infrared (IR) light in sunlight provides the heat in which we like to bask.

### The tanning appliance

With this tanning appliance you can sunbathe comfortably at home. The tanning lamps emit visible light, heat and ultraviolet light, giving you the impression you are sunbathing in real sunlight. The special UV filter only passes the light that is required to get a tan.

The tanning lamps emit sufficient infrared to provide a comfortable warmth.

A timer ensures that each session does not last longer than 45 minutes. Just as with natural sunlight, overexposure must be avoided (see the chapter 'Tanning and your health').

## General description (Fig. 1)

- A** Wheels
- B** Mains cord in storage compartment
- C** Handgrip
- D** Timer
- E** Memory knobs (for two persons)
- F** Slides
- G** Stand
- H** Locking collar for height adjustment
- I** Locking collar for lamp unit
- J** Handgrip
- K** Fan (cooling)
- L** Lamp unit
- M** UV filter
- N** Tanning lamps (type Philips HPA flexpower 400-600)
- O** Reflector
- P** Measuring tape
- Q** Protective goggles (2 pairs)  
- (type no. HB071/service no. 4822 690 80123)
- R** Base
- S** Type plate

## Important

Read these instructions for use carefully before using the appliance and save them for future reference.

- ▶ Check if the voltage indicated on the appliance corresponds to the mains voltage in your home before you connect the appliance.
- ▶ The appliance must be connected to a circuit that is protected with a 16A standard fuse or a slow-blow automatic fuse.
- ▶ If the wall socket used to power the appliance has poor connections, the plug of the appliance will become hot. Make sure you plug the appliance into a properly connected wall socket.
- ▶ If the mains cord is damaged, it must be replaced by Philips, a service centre authorised by Philips or similarly qualified persons in order to avoid a hazard.
- ▶ Water and electricity are a dangerous combination! Do not use this appliance in wet surroundings (e.g. in the bathroom or near a shower or swimming pool).
- ▶ If you have just been swimming or have just taken a shower, dry yourself thoroughly before using the appliance.
- ▶ Make sure children do not play with the appliance.
- ▶ Always unplug the appliance after use.
- ▶ Let the appliance cool down after use for approx. 15 minutes before folding it back into transport position and storing it.
- ▶ Only move the appliance when it is in transport position.
- ▶ Make sure the vents in the lamp unit and in the base remain open during use. Keep your hair away from the air inlet of the lamp unit.
- ▶ The appliance has been fitted with an automatic protection against overheating. If the appliance is insufficiently cooled (e.g. because the vents are covered), the appliance will switch off automatically. Once the cause of overheating has been removed and the appliance has cooled down, the appliance will switch on automatically again.
- ▶ The appliance contains hinging parts, so be careful not to get your fingers stuck between these parts.
- ▶ Do not exceed the recommended tanning time and the maximum number of tanning hours (see "Tanning sessions: how often and how long?").
- ▶ Do not choose a tanning distance of less than 65 cm.
- ▶ Do not tan a particular part of your body more than once a day. Avoid excessive exposure to natural sunlight on the same day.
- ▶ Do not take a tanning session if you have a disease and/or use medication or cosmetics that increase the sensitivity of your skin. Be extra careful if you are hypersensitive to UV light. Consult your doctor in case of doubt.
- ▶ Do not use the tanning appliance and consult your doctor if unexpected effects such as itching occur within 48 hours after the first session.
- ▶ The appliance is not to be used by people who get sunburnt without tanning when exposed to the sun, by persons suffering from sunburn, by children, or by persons who suffer (or have previously suffered) from skin cancer or who are predisposed to skin cancer.
- ▶ Consult your doctor if persistent lumps or sores appear on the skin, or if there are changes in pigmented moles.
- ▶ Always wear the protective goggles provided with the appliance while tanning to protect your eyes against overexposure (also see the chapter 'Tanning and your health').
- ▶ Remove creams, lipstick and other cosmetics well in advance of a tanning session.
- ▶ Do not use any sunscreens or tanning accelerators.
- ▶ If your skin feels taut after the tanning session, you may apply a moisturising cream.
- ▶ Never use the appliance when the UV filter is damaged, broken or missing or when the timer is defective.
- ▶ The UV filter becomes hot during the tanning session. Do not touch it.
- ▶ Colours may fade under the influence of the sun. The same effect may occur when using this appliance.
- ▶ Do not expect the appliance to yield better results than the natural sun.

## Electromagnetic fields (EMF)

This Philips appliance complies with all standards regarding electromagnetic fields (EMF). If handled properly and in accordance with the instructions in this instruction manual, the appliance is safe to use according to scientific evidence available today.

### Tanning and your health

Just as with natural sunlight, the tanning process will take some time. The first effect will only become visible after a few sessions (see chapter "Tanning sessions: how often and how long?").

Overexposure to ultraviolet light (natural sunlight or artificial light from your tanning appliance) can cause sunburn.

Besides many other factors, such as overexposure to natural sunlight, incorrect and excessive use of a tanning appliance may increase the risk of skin and eye problems. The degree to which these effects occur is determined by the nature, intensity and duration of the exposure on the one hand and the sensitivity of the person involved on the other:

The more the skin and the eyes are exposed to UV light, the higher the risk of keratitis, conjunctivitis, damage to the retina, cataracts, premature skin ageing and the development of skin tumours will be. Some medications and cosmetics increase the sensitivity of the skin.

Therefore it is highly important:

- that you follow the instructions in the chapters 'Important' and 'Tanning sessions: how often and how long?';
- that the tanning distance (distance between the UV filter and the body) is 65 cm.
- that you do not exceed the maximum number of tanning hours per year (i.e. 19 hours or 1140 minutes);
- that you always wear the goggles provided while tanning.

### Tanning sessions: how often and how long?

- ▶ Do not take more than one tanning session per day, over a period of five to ten days.
- ▶ Allow an interval of at least 48 hours between the first and the second session.
- ▶ After this 5- to 10-day course, we advise you to give your skin a rest for a while.
- ▶ Approximately one month after a course, your skin will have lost much of its tan. You can then start a new course.
- ▶ If you want to keep your tan, do not stop tanning after the course, but continue taking one or two tanning sessions a week.
- ▶ Whether you choose to stop tanning for a while or whether you continue tanning on a lower frequency, always keep in mind that you must not exceed the maximum number of tanning hours.
- ▶ For this appliance the maximum is 19 tanning hours (=1140 minutes) a year.

### Example

Suppose you take a 10-day tanning course, with a 7-minute session on the first day and a 20-minute session on the nine following days.

The entire course will then last  $(1 \times 7 \text{ minutes}) + (9 \times 20 \text{ minutes}) = 187 \text{ minutes}$ .

This means you can take 6 of these courses in a year, as  $6 \times 187 \text{ minutes} = 1122 \text{ minutes}$

Of course, the maximum number of tanning hours applies to each separate part or side of the body that is tanned (e.g. the back and front of the body).

As is shown in the table, the first session of a tanning course should always last 7 minutes, irrespective of the sensitivity of the skin.

- If you think that the sessions are too long for you (e.g. because your skin feels taut and tender after the session), we advise you to reduce the length of the sessions by e.g. 5 minutes.
- For a beautiful all-over tan, turn your body slightly during the session so that the sides of your body are better exposed to the tanning light.

Duration of the UV session for each separately treated part of the body	For persons with very sensitive skin	For persons with normal sensitive skin	For persons with less sensitive skin
1st session	7 minutes	7 minutes	7 minutes
rest of at least 48 hours			
2nd session	10 minutes	20 - 25 minutes	30 minutes*
3rd session	10 minutes	20 - 25 minutes	30 minutes*
4th session	10 minutes	20 - 25 minutes	30 minutes*
5th session	10 minutes	20 - 25 minutes	30 minutes*
6th session	10 minutes	20 - 25 minutes	30 minutes*
7th session	10 minutes	20 - 25 minutes	30 minutes*
8th session	10 minutes	20 - 25 minutes	30 minutes*
9th session	10 minutes	20 - 25 minutes	30 minutes*
10th session	10 minutes	20 - 25 minutes	30 minutes*

\*) or longer, depending on your skin sensitivity.

If your skin feels slightly taut after tanning, you can apply a moisturising cream.

### Preparing for use

- ▶ The appliance can be easily moved in transport position. (Fig. 2)

The appliance is easier to lift if you do so together with another person.

- ▶ If you have to lift the appliance by yourself, use the handle. (Fig. 3)

**1** To open the appliance, move the slides in the direction of the arrow. (Fig. 4)

**2** Pull the stand and the lamp unit up. (Fig. 5)

**3** Put the tanning appliance in the position indicated. (Fig. 6)

**4** Pull the lamp unit up to horizontal position. Use the handle to do this. (Fig. 7)

You will hear clicks when you move the lamp unit past certain fixed positions.

► Instead of using the above step-by-step method, you can also pull the lamp unit up by its handle in one single movement. (Fig. 8)

5 Turn the lamp unit a quarter turn. (Fig. 9)

6 Place the tanning appliance beside a bed as indicate in the figure. (Fig. 10)

The distance between the UV filter and the surface on which you are lying down (e.g. the bed), must be 85 cm.

7 Loosen the height adjustment lock by sliding the collar down the stand. Pull the lamp unit up at the same time to a height of 85 cm above the bed. (Fig. 11)

Let go of the collar to lock the lamp unit into position.

► You can check the distance between the lamp unit and the bed by pulling out the measuring tape.

► The measuring tape will automatically rewind if you move the red tab sideways.

The appliance is now ready for use.

### Using the appliance

1 Fully unwind the mains cord.

2 Put the plug in the wall socket.

- Consult the table in these instructions for use and your own notes.

- Put on the protective goggles provided.

The protective goggles should only be used when tanning with a Philips tanning appliance. They should not be used for other purposes. The protective goggles comply with protection class II according to directive 89/686/EEC.

3 Set the timer to the appropriate time for the tanning session. (Fig. 12)

4 Lie down under the lamp unit.

The timer will automatically switch the tanning appliance off when the set tanning time has elapsed.

► The timer can be set to a maximum tanning time of 45 minutes.

► During the last minute of the session you will hear a beeping sound.

► During this minute you can reset the timer to tan the other side of your body. By doing so, you avoid the 3-minute waiting time which is necessary to allow the tanning lamps to cool down after they have been switched off.

### After the tanning session

1 Keep track of the number of sessions you have had by means of the memory knobs. The appliance has two memory knobs: one for each person. (Fig. 13)

### Cleaning

1 Always unplug the appliance and let it cool down before you start cleaning it.

2 Clean the outside of the appliance with a damp cloth.

3 Clean the protective goggles with a moist cloth.

Do not let any water run into the appliance.

4 Do not use any scouring agents or scouring pads.

Never use abrasive liquids like scourers, petrol or acetone to clean the appliance.

► You can clean the outside of the UV filter with a soft cloth sprinkled with some methylated spirits.

### Storage

1 Let the appliance cool down for 15 minutes before you put it in transport position and store it.

In the meantime, you can wind up the cord and put it in the base of the appliance.

2 Make sure the cord is stored properly and does not get stuck between the hinging parts of the appliance when you put the appliance in transport position.

3 Loosen the height adjustment lock by sliding the collar down the stand. Push the stand down at the same time. Then let go of the collar. (Fig. 14)

4 Turn the lamp unit a quarter turn. (Fig. 15)

5 Lift the lamp unit a little with one hand and unlock it by pushing the two unlocking slides down with your other hand. (Fig. 16)

6 Hold the two unlocking slides down with one hand and fold the lamp unit into vertical position with your other hand. Then let go of the unlocking slides. (Fig. 17)

7 Lower the stand and the lamp unit carefully onto the base of the appliance. (Fig. 18)

8 Lock the lamp unit onto the base by pushing the slides on the base in the direction of the arrow. (Fig. 19)

9 The tanning appliance can be stored under a bed. (Fig. 20)

10 It can also be stored in a cupboard in upright position. (Fig. 21)

### Replacement

The light emitted by the tanning lamps will become less bright in time (i.e. after a few years in case of normal use). When this happens, you will notice a decrease in the tanning capacity of the appliance. You can solve this problem by setting a slightly longer tanning time or by having the tanning lamps replaced.

The UV filter protects against exposure to undesired UV light. It is therefore important to have a damaged or broken filter replaced right away. Have the tanning lamps (Philips HPA flexpower 400-600), the UV filter and the cord replaced by a dealer or service centre authorised by Philips. Only they have the knowledge and skills required for this job and the original spare parts for the appliance.

## Environment

- Do not throw the appliance away with the normal household waste at the end of its life, but hand it in at an official collection point for recycling. By doing this you will help to preserve the environment. (Fig. 22)

The lamps of the appliance contain substances that can be harmful to the environment. When you discard the lamps, do not throw them away with the normal household waste but hand them in at an official collection point.

## Guarantee & service

If you need service or information or if you have a problem, please visit the Philips website at [www.philips.com](http://www.philips.com) or contact the Philips Customer Care Centre in your country (you will find its phone number in the worldwide guarantee leaflet). If there is no Customer Care Centre in your country, turn to your local Philips dealer or contact the Service Department of Philips Domestic Appliances and Personal Care BV.

## Guarantee restrictions

The tanning lamps are not covered by the terms of the international guarantee.

## Troubleshooting

The appliance may fail to work properly because it has not been installed or is not used in accordance with the instructions. In that case you are able to solve the problem yourself by following the troubleshooting tips below.

Problem	Solution
The appliance does not start	The lamp unit has not been put in the right position (see chapter 'Preparing for use').
	The plug has not been properly inserted into the wall socket.
	Perhaps there is a power failure. Check by means of another appliance.
	The lamps are still too hot to go on. Let them cool down for 3 minutes first.
The appliance was not sufficiently cooled and the overheating protection switched the appliance off automatically. Remove the cause of overheating (e.g. remove a towel that is blocking one or more vents). Wait for 10 minutes and switch the appliance back on.	
The fuse cuts off the power when you switch on the tanning appliance or during use.	Check the fuse of the circuit to which the tanning appliance is connected. The correct fuse type is a 16A standard fuse or a slow-blow automatic fuse. The fuse may also blow because you have connected too many appliances to the same circuit.
Poor tanning results	You are not following the tanning schedule suitable for your skin type. Check the table in 'Tanning sessions: how often and how long?'. The distance between the lamps and the surface you lie on is larger than prescribed.
	When the lamps have been used for a long time, the UV light emitted will decrease. This effect only becomes noticeable after several years. You can solve this problem by selecting a longer tanning time or by having the lamps replaced.

## Introduktion

### Solen

Solen udsender forskellige former for energi: Synligt lys, som gør det muligt for os at se, ultraviolet (UV) lys, som bruner huden, og infrarødt (IR) lys, som giver os en behagelig varme.

### Solarium

Med dette solarie kan du sole dig hjemme i behagelige omgivelser. Solarielamperne udsender synligt lys, varme og ultraviolet lys og giver dig fornemmelsen af at solbade i naturligt sollys. Det specielle UV-filter slipper kun det lys igennem, der kræves for at brune huden.

Solarielamperne udsender infrarødt lys, hvilket giver en behagelig varme.

En timer-funktion sikrer, at hver behandling højst varer 45 minutter. Som det er tilfældet med almindeligt sollys skal man undgå overdreven solbadning (se afsnittet "Solbad og helbred").

## Generel beskrivelse (fig. 1)

- A** Hjul
- B** Netledning i opbevaringsrum
- C** Håndtag
- D** Timer
- E** Memory-knapper (til to personer)
- F** Skyderkontakter
- G** Stander
- H** Låsering til justering af højde
- I** Låsering til lampeenhed
- J** Håndtag
- K** Ventilator (nedkøling)
- L** Lampeenhed
- M** UV-filter
- N** Solarielamper (type Philips HPA flexpower 400-600)
- O** Reflektor
- P** Målebånd
- Q** Beskyttelsesbriller (2 par)  
- (type nr. HB071/service nr. 4822 690 80123)
- R** Basisenhed
- S** Typeskilt

## Vigtigt

Læs brugsvejledningen omhyggeligt igennem, inden apparatet tages i brug, og gem den til eventuel senere brug.

- ▶ Før der sluttes strøm til apparatet, skal du kontrollere, om spændingsangivelsen på apparatet svarer til den lokale netspænding.
- ▶ Apparatet skal tilsluttes en fase, der er beskyttet med en 16A standardsikring eller en langsom automatisk sikring.
- ▶ Hvis den anvendte stikkontakt er dårligt installeret, bliver stikket på apparatet varmt. Sørg derfor for at slutte apparatet til en korrekt installeret stikkontakt.
- ▶ Hvis ledningen beskadiges, må den kun udskiftes af Philips, et autoriseret Philips-serviceværksted eller af en kvalificeret fagmand for at undgå enhver risiko ved efterfølgende brug.
- ▶ Vand og elektricitet er en farlig kombination! Anvend aldrig apparatet i våde omgivelser (f.eks. i badeværelset eller i nærheden af en bruser eller swimmingpool).
- ▶ Efter en svømmetur eller et brusebad skal du tørre dig grundigt, før du bruger solariet.
- ▶ Sørg for, at børn ikke kan komme til at lege med solariet.
- ▶ Tag altid stikket ud af stikkontakten efter brug.
- ▶ Lad apparatet køle af i 15 minutter efter brug, inden det klappes sammen og stilles væk.
- ▶ Apparatet må kun flyttes, når det er klappet sammen i transportposition.
- ▶ Sørg for, at ventilationshullerne i lampeenheden og basisenheden ikke er blokerede under brug. Pas på, at dit hår ikke kommer i kontakt med lampeenhedens luftindtag.
- ▶ Apparatet er udstyret med automatisk beskyttelse mod overophedning. Hvis apparatet ikke afkøles tilstrækkeligt (f.eks. hvis lufthullerne er tildækkede), slår det automatisk fra. Når årsagen til overophedningen er fjernet, og apparatet er kølet af, tænder det automatisk igen.
- ▶ Apparatet har flere hængslede dele, så pas på ikke at få fingrene i klemme.
- ▶ Overskrid ikke de anbefalede behandlingstider og det maximale antal årlige "solbruningstimer" (se afsnittet "UV-behandlinger: Hvor ofte og hvor længe?").
- ▶ Behandlingsafstanden skal være minimum 65 cm.
- ▶ Ingen kropsdel bør solbrunes mere end én gang dagligt. Undgå for meget naturligt sollys samme dag.
- ▶ Brug ikke solariet, hvis du lider af en sygdom og/eller bruger medicin eller kosmetik, som øger hudens følsomhed. Vær særligt forsigtig, hvis du er overfølsom over for UV-stråling. Spørg din læge, hvis du er i tvivl.
- ▶ Kontakt din læge og undlad brug af solariet, hvis der opstår uventede bivirkninger som f.eks. kløe inden for 48 timer efter den første behandling.
- ▶ Solariet må ikke anvendes af personer, der bliver forbrændte af den naturlige sol uden at blive brune, af personer, der er solskoldede, af børn eller af personer, der lider (eller tidligere har lidt) af hudkræft, eller som er disponerede for hudkræft.
- ▶ Rådfør dig med din læge, hvis der opstår vedvarende hævelser eller sår på huden, eller hvis der sker ændringer i hudens pigmentering (modermærker eller skønhedspletter).
- ▶ Brug altid de medfølgende beskyttelsesbriller for at beskytte øjnene mod for meget sol (se også afsnittet "Solbad og sundhed").
- ▶ Fjern altid creme, læbestift og andre kosmetiske midler før UV-behandling.
- ▶ Brug ikke nogen former for solcreme og/eller selvbrunende præparater.
- ▶ Føles huden stram efter behandlingen, kan du smøre den med lidt fugtighedscreme.
- ▶ Brug ikke apparatet, hvis UV-filtret er beskadiget, ødelagt eller hrelt mangler, eller hvis timer-funktionen er defekt.
- ▶ UV-filtret bliver varmt under behandlingen, hvorfor det ikke må berøres.
- ▶ Farver bleges ofte af den naturlige sols påvirkning, og det samme kan være tilfældet ved brug af solariet.
- ▶ Man kan ikke forvente at opnå bedre resultater ved brug af solariet end ved naturlig solbeholdning. OBS! I henhold til "Vejledende retningslinier for markedsføring af UV-bestrålingsapparater (UV-sole og UV-solarier)", udstedt af Forbrugerombudsmanden, skal vi



orientere om følgende: Der har i en lang årrække været foretaget videnskabelige studier af lyset fra solen. Herigennem er påvist en vis sammenhæng mellem langvarig bestråling med UV-stråler og forekomsten af alvorlige hudskader. Ligeledes er en ændring af hudens elasticitet konstateret. Der må derfor advares mod overdreven udsættelse for UV-stråling. Den i vejledningen angivne brugsafstand, bestrålingshyppighed og maksimale bestrålingstid bør endvidere nøje overholdes. Forvent ikke, at apparatet giver bedre resultater, end naturligt sollys ville gøre.

### Elektromagnetiske felter (EMF)

Dette Philips-apparat overholder alle standarder for elektromagnetiske felter (EMF). Ved korrekt anvendelse og i overensstemmelse med instruktionerne i denne brugsvejledning, er apparatet sikkert at anvende, ifølge den videnskabelige viden, der er tilgængelig i dag.

### Solbad og sundhed

Ligesom ved naturligt sollys tager bruningsprocessen lidt tid. Den første virkning ses først efter et par behandlinger (se afsnittet "UV-behandlinger: Hvor ofte og hvor længe?").

Udsættes man for overdreven ultraviolet bestråling (fra den naturlige sol eller ved brug af solarie), kan huden blive forbrændt. Flere faktorer, bl.a. overdreven soldyrkelse samt forkert eller overdreven brug af solarium, vil forøge risikoen for hud- og øjenskader. Hvor store skadelige virkninger, der kan opstå, afhænger dels af strålingens karakter, styrke og varighed - og dels af den pågældende persons følsomhed. Jo længere tid hud og øjne udsættes for UV-bestråling, desto større risiko for skadevirkninger som hornhinde- og/eller bindehindebetændelse, beskadigelse af nethinden, grå stær, rynket hud samt hudkræft. Visse former for medicin og kosmetik øger følsomheden over for UV-bestråling. Det er derfor utroligt vigtigt:

- at du følger anvisningerne i afsnittene "Vigtigt" og "UV-behandlinger: Hvor ofte og hvor længe?";
- at behandlingsafstanden (afstanden mellem UV-filtret og kroppen) er 65 cm.
- at du ikke overskrider det maksimale antal årlige behandlingstimer (dvs. 19 timer eller 1140 minutter);
- at du altid bruger de medleverede beskyttelsesbriller under UV-behandlingen.

### UV-behandlinger: Hvor ofte og hvor længe ?

- ▶ Tag ikke mere end én behandling om dagen i en periode på fem til ti dage.
- ▶ Vent mindst 48 timer mellem den første og den anden behandling.
- ▶ Efter denne 5- til 10-dages periode anbefaler vi, at du lader huden hvile i et stykke tid.
- ▶ Ca. 1 måned efter en serie behandlinger, vil huden have mistet megen farve, og du kan starte en ny serie behandlinger.
- ▶ Du kan også vælge at fortsætte med 1 til 2 behandlinger om ugen for at vedligeholde kuløren.
- ▶ Uanset om du vælger at holde en pause, eller om du fortsætter behandlingerne med længere intervaller, skal du altid huske, at du ikke må overskride det maksimale antal årlige solbruningstimer.
- ▶ For dette solarium er maksimum 19 timer (= 1140 minutter) pr. år.

### Eksempel

Lad os antage, at du tager en 10-dages UV-serie bestående af en 7-minutters behandling dag ét og en 20-minutters behandling de efterfølgende 9 dage.

Hele serien varer således (1 x 7 minutter) + (9 x 20 minutter) = 187 minutter.

Det betyder, at du kan tage 6 af disse serier på et år, da 6 x 187 minutter = 1122 minutter

Det maksimale antal årlige behandlingstimer gælder naturligvis for hver enkelt del eller side af kroppen, der solbrunes (f.eks. for og bag).

Som det fremgår af tabellen, bør den første behandling i en serie aldrig vare længere end 7 minutter; uanset hudens følsomhed.

- Hvis du føler, at behandlingstiden er for lang (hvis huden f.eks. føles stram og øm bagefter), anbefales det at nedsætte behandlingstiden med f.eks. 5 minutter.
- Du får en flot ensartet, solbrun kulør ved at dreje kroppen en smule under behandlingen, så UV-strålerne også rammer kroppens sider.

Varighed af UV-behandlingen for hver enkelt kropsdel, der behandles	for personer med meget følsom hud	For personer med normalt følsom hud	For personer med mindre følsom hud
1. behandling	7 minutter	7 minutter	7 minutter
pause på mindst 48 timer			
2. behandling	10 minutter	20 - 25 minutter	30 minutter*
3. behandling	10 minutter	20 - 25 minutter	30 minutter*
4. behandling	10 minutter	20 - 25 minutter	30 minutter*
5. behandling	10 minutter	20 - 25 minutter	30 minutter*
6. behandling	10 minutter	20 - 25 minutter	30 minutter*
7. behandling	10 minutter	20 - 25 minutter	30 minutter*
8. behandling	10 minutter	20 - 25 minutter	30 minutter*
9. behandling	10 minutter	20 - 25 minutter	30 minutter*
10. behandling	10 minutter	20 - 25 minutter	30 minutter*

\*) eller længere, alt afhængigt af din huds følsomhed.

Føles huden lidt stram efterbehandlingen, kan du smøre den med lidt fugtighedscreme.

### Klargøring

- ▶ Apparatet kan nemt flyttes i transportposition. (fig. 2)

Apparatet er nemmere at løfte/flytte, hvis man er to om det.

- ▶ Hvis du er nødt til at løfte apparatet på egen hånd, skal du bruge håndtaget. (fig. 3)

- 1 Apparatet åbnes ved at skubbe skydekontakterne i pilens retning. (fig. 4)

**2** Træk stander og lampeenhed op. (fig. 5)

**3** Sæt solariet i den angivne position. (fig. 6)

**4** Træk lampeenheden op i vandret position ved hjælp af håndtaget. (fig. 7)

Du hører et klik, når lampeenheden trækkes forbi de faste positioner.

► Ud over at følge ovenstående trin-for-trin-metode kan du også trække lampeenheden op i dens håndtag i én bevægelse. (fig. 8)

**5** Drej lampeenheden en kvart omgang. (fig. 9)

**6** Placér solariet ved siden af en seng som illustreret på figuren. (fig. 10)

Afstanden mellem UV-filtret og underlaget, som du ligger på (f.eks. en seng), skal være 85 cm.

**7** Løsn låsen til justering af højden ved at skubbe låseringen ned ad standeren. Træk samtidigt lampeenheden op til en højde på 85 cm over sengen. (fig. 11)

Slip låseringen for at fastlåse lampeenhedens position.

► Du kan kontrollere afstanden mellem lampeenhed og seng ved at trække målebåndet ud.

► Målebåndet spoles automatisk tilbage, hvis du skubber den røde tap til siden.

Apparatet er nu klar til brug.

### Sådan bruges apparatet

**1** Rul netledningen helt ud.

**2** Sæt stikket i en stikkontakt.

- Se tabellen i denne brugsvejledning og dine egne notater.

- Tag de medleverede beskyttelsesbriller på.

Beskyttelsesbrillerne bør kun benyttes, når du bruger et solarium fra Philips. De bør ikke benyttes til andre formål. Beskyttelsesbrillerne overholder betingelserne i beskyttelsesklasse II i henhold til direktiv 89/686/EEC.

**3** Indstil timeren til den relevante behandlingstid. (fig. 12)

**4** Læg dig ned under lampeenheden.

Timeren slukker automatisk solariet, når den indstillede behandlingstid er gået.

► Timeren kan indstilles til en behandlingstid på højst 45 minutter.

► Under det sidste minut af behandlingen høres en biplyd.

► I løbet af dette minut kan du nulstille timeren til behandling af den anden side af kroppen. På den måde kan du undgå de 3 minutters ventetid, som kræves for at afkøle solarielamperne, efter de er blevet slukket.

### Efter behandlingen

**1** Hold regnskab med antallet af behandlinger ved hjælp af memory-knapperne. Apparatet har to memory-knapper - til 2 personer. (fig. 13)

### Rensning

**1** Tag altid stikket ud af stikkontakten, og lad solariet køle af, før det rengøres.

**2** Apparatet rengøres udvendigt med en fugtig klud.

**3** Rengør beskyttelsesbrillerne med en fugtig klud.

Sørg for, at der ikke trænger vand ind i apparatet.

**4** Brug ikke skuremidler eller skuresvampe.

Brug aldrig skræppe rengøringsmidler som skurepulver, benzin, acetron eller lignende til rengøring af apparatet.

► Du kan rengøre ydersiden af UV-filtret med en blød klud duppet med lidt denatureret sprit.

### Opbevaring

**1** Lad apparatet køle af i 15 minutter, før du klapper det sammen i transportposition og stiller det væk.

I mellemtiden kan du rulle ledningen sammen og lægge den ned i apparatets basisenhed.

**2** Sørg for, at ledningen er anbragt korrekt og ikke kommer i klemme imellem apparatets hængslede dele, når du klapper apparatet sammen i transportposition.

**3** Løsn låsen til justering af højden ved at føre låseringen ned ad standeren. Skub samtidig standeren ned, og slip derefter låseringen. (fig. 14)

**4** Drej lampeenheden en kvart omgang. (fig. 15)

**5** Løft lampeenheden en smule med den ene hånd, og lås den op ved at skubbe de to skydekontakter ned med den anden hånd. (fig. 16)

**6** Hold de to skydekontakter nede med den ene hånd, og klap lampeenheden sammen til lodret position med den anden hånd. Slip derefter skydekontakterne. (fig. 17)

**7** Sænk langsomt standeren og lampeenheden ned på basisenheden. (fig. 18)

**8** Placér lampeenheden oven på basisenheden ved at skubbe basisenhedens skydekontakter i pilens retning. (fig. 19)

**9** Solariet kan opbevares under en seng. (fig. 20)

**10** Det kan også opbevares i et skab i lodret position. (fig. 21)

### Udskiftning

Lyset, som udsendes af UV-lamperne, aftager i styrke, som tiden går (ved normal brug efter et par år), og bruningseffekten bliver svagere. Man kan kompensere for dette ved enten at forlænge behandlingstiden lidt eller udskifte solarielamperne.

UV-filtret beskytter mod uønsket UV-lys. Derfor er det vigtigt øjeblikkeligt at udskifte et beskadiget eller ødelagt filter:

Solarielamperne (Philips HPA flexpower 400-600), UV-filtret og ledningen skal udskiftes af Philips eller et autoriseret Philips serviceværksted. Kun de har den fornødne ekspertise og de originale reservedele til apparatet.

### Miljøhensyn

► Apparatet må ikke smides ud sammen med det almindelige husholdningsaffald, når det til sin tid kasseres. Aflever det i stedet på den kommunale genbrugsstation. På den måde er du med til at beskytte miljøet. (fig. 22)

Lamperne i dette apparat indeholder stoffer, som kan være miljøskadelige. Du må derfor ikke bortskaffe lamperne sammen med det almindelige husholdningsaffald. Aflever dem i stedet på et officielt indsamlingssted.

### Reklamationsret og service

For alle yderligere oplysninger eller ved eventuelle problemer med apparatet henvises venligst til Philips hjemmeside på adressen [www.philips.com](http://www.philips.com) eller det lokale Philips Kundecenter (telefonnumre findes i vedlagte "World-Wide Guarantee" folder). Hvis der ikke findes et kundecenter i dit land, bedes du venligst kontakte din lokale Philips-forhandler eller serviceafdelingen i Philips Domestic Appliances and Personal Care BV. Dette apparat overholder de gældende EU-direktiver vedrørende sikkerhed og radiostøj.

### Gældende forbehold i garantien

Solarielamperne er ikke dækket af de internationale garantibestemmelser.

### Fejlfinding

Hvis apparatet er ikke installeret rigtigt eller ikke anvendes i henhold til anvisningerne, fungerer det muligvis ikke korrekt. Er dette tilfældet kan du selv løse problemet ved at følge nedenstående fejlfindingstips.

Problem	Løsning
Solariet starter ikke.	Lampeenheden er ikke i korrekt position (se afsnittet "Klargøring"). Stikket er ikke sat korrekt i stikkontakten. Der kan være opstået strømsvigt. Kontrolleres ved at tilslutte et andet apparat.
	Lamperne er stadig for varme til at kunne fortsætte behandlingen. Lad dem først køle af i 3 minutter. Apparatet blev ikke afkølet tilstrækkeligt, og overophedningssikringen har automatisk slukket apparatet. Fjern årsagen til overophedningen (f.eks. et håndklæde, der dækker et eller flere ventilationshuller), vent 10 minutter, og tænd apparat igen.
Sikringen afbryder for strømmen, når du tænder for eller solariet eller under brug.	Kontrollér sikringen i den fase, som solariet er tilsluttet. Fasen skal være udstyret med en 16A standardsikring eller en langsom automatisk sikring. Sikringen kan være sprunget, hvis du har sluttet for mange apparater til samme fase.
Utilfredsstillende bruningsresultat	Du har ikke fulgt et behandlingsprogram, der passer til din hudtype. Kontrollér tabellen i afsnittet "UV-behandlinger: Hvor ofte og hvor længe?". Afstanden mellem lamperne og det underlag, du ligger på, er større end angivet. Når lamperne har været brugt i meget lang tid, vil UV-lysets effekt aftage. Dette sker først efter flere års brug. Problemet kan afhjælpes enten ved at forlænge behandlingstiden eller ved at få lamperne udskiftet.

## Einführung

### Die Sonne

Die Sonne liefert verschiedene Energiearten: Das sichtbare Licht ermöglicht uns zu sehen, das ultraviolette (UV-)Licht bräunt unsere Haut, und das infrarote (IR-)Licht spendet die Wärme, bei der wir uns wohl fühlen.

### Das Bräunungsgerät

Mit diesem Sunmobile können Sie sich ganz bequem zu Hause bräunen. Die Lampen geben sichtbares Licht, Wärme und UV-Licht ab, so dass Sie sich wie bei einem Sonnenbad im Freien fühlen. Der spezielle UV-Filter lässt nur die zum Bräunen erforderlichen Strahlen durch.

Das Infrarotlicht der Bräunungslampen sorgt für eine wohltuende Wärme.

Eine Zeitschaltuhr stellt sicher, dass ein Bräunungsbad nicht länger als 45 Minuten dauert. Ebenso wie bei natürlichem Sonnenlicht ist ein zu langes UV-Bräunungsbad unbedingt zu vermeiden (siehe Kapitel "Gesundes Bräunen").

## Allgemeine Beschreibung (Abb. 1)

- A** Laufräder
- B** Netzkabel im Aufbewahrungsfach
- C** Handgriff
- D** Zeitschaltuhr
- E** Memo-Tasten (für zwei Personen)
- F** Schieber
- G** Stativ
- H** Arretierung für Höheneinstellung
- I** Arretierung für Lampeneinheit
- J** Handgriff
- K** Ventilator (Kühlung)
- L** Lampeneinheit
- M** UV-Filter
- N** Bräunungslampen (Typ Philips HPA Flexpower 400 - 600)
- O** Reflektor
- P** Maßband
- Q** 2 Schutzbrillen  
- (Typnr. HB071/ServiceNr. 4822 690 80123)
- R** Gerätefuß
- S** Typenschild

## Wichtig

Lesen Sie diese Bedienungsanleitung vor dem ersten Gebrauch des Geräts sorgfältig durch, und bewahren Sie sie für eine spätere Verwendung auf.

- ▶ Prüfen Sie, bevor Sie das Gerät zum ersten Mal benutzen, ob die Spannungsangabe auf dem Gerät mit der örtlichen Netzspannung übereinstimmt.
- ▶ Das Gerät muss an einen Stromkreis mit 16A-Standardsicherung oder mit träger Automatiksicherung angeschlossen werden.
- ▶ Bei fehlerhafter Verkabelung der Steckdose, an der das Gerät betrieben wird, erhitzt sich der Stecker. Achten Sie darauf, dass Sie das Gerät an einer ordnungsgemäß verkabelten Steckdose anschließen.
- ▶ Wenn das Netzkabel defekt oder beschädigt ist, darf es nur von einem Philips Service-Center oder einer von Philips autorisierten Werkstatt durch ein Original-Ersatzkabel ausgetauscht werden, um Gefährdungen zu vermeiden.
- ▶ Wasser und Strom sind eine gefährliche Kombination! Benutzen Sie das Gerät nicht in feuchter Umgebung (z. B. im Badezimmer, in der Nähe einer Dusche oder eines Schwimmbeckens).
- ▶ Trocknen Sie sich gründlich ab, wenn Sie das Gerät nach dem Duschen oder Baden benutzen möchten.
- ▶ Lassen Sie Kinder nicht mit dem Gerät hantieren.
- ▶ Ziehen Sie nach jedem Gebrauch den Netzstecker aus der Steckdose.
- ▶ Lassen Sie das Gerät ca. 15 Minuten lang abkühlen, bevor Sie es in seine Transportstellung klappen und wegräumen.
- ▶ Bewegen Sie das Gerät ausschließlich in Transportstellung.
- ▶ Achten Sie darauf, dass die Lüftungsschlitze in der Lampeneinheit und im Gerätefuß bei eingeschaltetem Gerät frei bleiben und Ihr Haar nicht in die Nähe der Belüftungsöffnungen der Lampeneinheit gerät.
- ▶ Das Gerät ist mit einem automatischen Überhitzungsschutz ausgestattet, der es bei unzureichender Kühlung (z. B. aufgrund abgedeckter Lüftungsschlitze) automatisch abschaltet. Ist die Überhitzungsursache beseitigt und das Gerät abgekühlt, schaltet es sich automatisch wieder ein.
- ▶ Achten Sie darauf, dass Sie Ihre Finger nicht zwischen den Klappvorrichtungen des Geräts einklemmen.
- ▶ Überschreiten Sie nicht die empfohlenen Bräunungszeiten und die maximale Anzahl von Bräunungsstunden (siehe Abschnitt "Das UV-Sonnenbad: Wie oft und wie lange?").
- ▶ Halten Sie einen Bräunungsabstand von mindestens 65 cm ein.
- ▶ Bräunen Sie eine Körperpartie maximal einmal täglich. Vermeiden Sie es, sich am selben Tag übermäßig dem natürlichen Sonnenlicht auszusetzen.
- ▶ Das Bräunungsgerät darf bei Krankheit und/oder bei Einnahme von Medikamenten oder Anwendung von Kosmetika, die zu erhöhter Hautempfindlichkeit führen, nicht benutzt werden. Wenn Sie überempfindlich auf UV-Licht reagieren, ist besondere Vorsicht geboten. Konsultieren Sie im Zweifelsfall Ihren Arzt.
- ▶ Falls innerhalb von 48 Stunden nach dem ersten Bräunungsbad unvorhergesehene Reaktionen, wie z. B. Juckreiz, auftreten, sollten Sie das Gerät nicht mehr benutzen und Ihren Arzt konsultieren.
- ▶ Das Gerät darf nicht von Personen verwendet werden, die sich beim Sonnen schnell einen Sonnenbrand zuziehen, auch ohne zu bräunen, oder die bereits einen Sonnenbrand haben. Dies gilt auch für Kinder oder für Personen, die anfällig für Hautkrebs sind, daran erkrankt sind oder bereits daran erkrankt waren.
- ▶ Konsultieren Sie Ihren Arzt, wenn sich hartnäckige Schwellungen oder Geschwüre auf der Haut zeigen oder wenn Veränderungen an pigmentierten Muttermalen auftreten.
- ▶ Tragen Sie beim Bräunen immer die mitgelieferte Schutzbrille, um Ihre Augen vor übermäßigem UV-Licht zu schützen (siehe auch Kapitel "Gesundes Bräunen").
- ▶ Entfernen Sie eine Weile vor dem Bräunungsbad Cremes, Lippenstift und andere Kosmetika von Ihrer Haut.

- ▶ Verwenden Sie keine Sonnenschutzmittel und keine Bräunungsbeschleuniger.
- ▶ Spannt Ihre Haut nach dem Bräunungsbad, können Sie eine Feuchtigkeitscreme auftragen.
- ▶ Benutzen Sie das Gerät keinesfalls, wenn der UV-Filter beschädigt oder zerbrochen ist oder ganz fehlt, oder wenn die Zeitschaltuhr defekt ist.
- ▶ Der UV-Filter erhitzt sich, wenn das Gerät läuft. Berühren Sie ihn deshalb nicht.
- ▶ Verschiedene Materialien können sich, genau wie beim natürlichen Sonnenlicht, auch im Licht der UV-Lampen verfärben.
- ▶ Erwarten Sie vom Einsatz dieses Geräts keine besseren Ergebnisse als von natürlichem Sonnenlicht.

### Elektromagnetische Felder (EMF; Electro Magnetic Fields)

Dieses Philips Gerät erfüllt sämtliche Normen bezüglich elektromagnetischer Felder (EMF). Nach aktuellen wissenschaftlichen Erkenntnissen ist das Gerät sicher im Gebrauch, sofern es ordnungsgemäß und entsprechend den Anweisungen in dieser Bedienungsanleitung gehandhabt wird.

### Gesundes Bräunen

Ebenso wie in natürlichem Sonnenlicht dauert der Bräunungsvorgang eine gewisse Zeit. Erste Effekte werden erst nach mehreren Bräunungsbädern sichtbar (siehe "Das UV-Sonnenbad: Wie oft und wie lange?").

Wer sich zu lange dem ultravioletten Licht aussetzt - ob natürlichem Sonnenlicht oder den Strahlen eines Bräunungsgeräts - kann einen Sonnenbrand bekommen.

Neben vielen anderen Faktoren, etwa dem übermäßigen Kontakt mit natürlichem Sonnenlicht, kann auch der unsachgemäße und zu häufige Gebrauch eines Bräunungsgeräts das Risiko von Haut- und Augenproblemen erhöhen. Wie ausgeprägt sich solche Effekte zeigen, hängt einerseits von der Art, der Intensität und der Dosis der UV-Strahlen und andererseits von der Empfindlichkeit der betreffenden Person ab.

Je intensiver Haut und Augen dem UV-Licht ausgesetzt sind, desto höher ist die Gefahr von Horn- und Bindehautentzündung, Schäden an der Netzhaut, Grauem Star, vorzeitiger Hautalterung und Hauttumoren. Einige Medikamente und Kosmetika steigern die Hautempfindlichkeit.

Darum ist es sehr wichtig, dass Sie:

- die Anleitungen in den Kapiteln "Wichtig" und "Das UV-Sonnenbad: Wie oft und wie lange?" beachten;
- auf einen Bräunungsabstand (Abstand zwischen dem UV-Filter und Ihrem Körper) von mindestens 65 cm achten;
- die maximale Bräunungszeit pro Jahr (19 Stunden = 1140 Minuten) nicht überschreiten und
- während des Bräunungsbads immer die mitgelieferte Schutzbrille tragen.

### Das UV-Sonnenbad: Wie oft und wie lange?

- ▶ Nehmen Sie während einer 5- bis 10-tägigen Bräunungskur nicht mehr als ein Bräunungsbad pro Tag.
- ▶ Legen Sie zwischen dem ersten und dem zweiten Bräunungsbad eine Pause von mindestens 48 Stunden ein.
- ▶ Wir empfehlen, nach einer Bräunungskur von 5 bis 10 Tagen Ihrer Haut eine Pause zu gönnen.
- ▶ Etwa einen Monat nach Abschluss der Bräunungskur hat Ihre Haut soviel von ihrer Bräune verloren, dass Sie eine neue Bräunungskur beginnen können.
- ▶ Sie können aber auch anschließend an die Bräunungskur wöchentlich 1 oder 2 Bräunungsbäder nehmen, um die Bräunung aufrecht zu erhalten.
- ▶ Ob Sie eine Pause einlegen oder in größeren Abständen das Bräunen fortsetzen: Sie sollten stets darauf achten, die maximale Anzahl an Bräunungsstunden nicht zu überschreiten.
- ▶ Für dieses Gerät gilt eine maximale Anzahl von 19 Bräunungsstunden (=1140 Minuten) pro Jahr.

### Beispiel

Nehmen wir also an, Sie entscheiden sich für eine 10-tägige Kur mit einem 7-minütigen Bräunungsbad am ersten Tag und 20-minütigen Sitzungen an den darauf folgenden neun Tagen.

Die gesamte Kur umfasst somit  $(1 \times 7 \text{ Minuten}) + (9 \times 20 \text{ Minuten}) = 187 \text{ Minuten}$ .

Sie können also in einem Jahr 6 solcher Bräunungskuren machen, da  $6 \times 187 \text{ Minuten}$  insgesamt 1122 Minuten ergeben.

Selbstverständlich gilt die maximale Anzahl von Bräunungsstunden jeweils für eine Körperpartie (z. B. den Rücken oder die Vorderseite des Körpers).

Aus der Tabelle ist ersichtlich, dass jede neue Bräunungskur mit einem ersten Bräunungsbad von 7 Minuten beginnt, unabhängig von der persönlichen Hautempfindlichkeit.

- Wenn Sie die Bräunungsbäder als zu lang empfinden, z. B. weil anschließend Ihre Haut spannt oder empfindlich ist, sollten Sie die Dauer (z. B. um 5 Minuten) reduzieren.
- Eine gleichmäßig schöne Bräune erhalten Sie, indem Sie Ihren Körper während des Bräuens immer wieder leicht drehen, damit das UV-Licht die Körperseiten besser erreichen kann.

Bräunungszeit pro Körperpartie	Bei sehr empfindlicher Haut	Bei normaler Haut	Bei wenig empfindlicher Haut
1. Tag	7 Minuten	7 Minuten	7 Minuten
Mindestens 48 Stunden Pause			
2. Tag	10 Minuten	20 - 25 Minuten	30 Minuten*
3. Tag	10 Minuten	20 - 25 Minuten	30 Minuten*
4. Tag	10 Minuten	20 - 25 Minuten	30 Minuten*
5. Tag	10 Minuten	20 - 25 Minuten	30 Minuten*
6. Tag	10 Minuten	20 - 25 Minuten	30 Minuten*
7. Tag	10 Minuten	20 - 25 Minuten	30 Minuten*
8. Tag	10 Minuten	20 - 25 Minuten	30 Minuten*
9. Tag	10 Minuten	20 - 25 Minuten	30 Minuten*
10. Tag	10 Minuten	20 - 25 Minuten	30 Minuten*

\*) oder länger, je nach Hautempfindlichkeit.

Wenn Ihre Haut nach dem Bräunungsbad etwas spannt, können Sie eine Feuchtigkeitscreme auftragen.

### Für den Gebrauch vorbereiten

► In Transportstellung lässt sich das Gerät problemlos bewegen. (Abb. 2)

Das Gerät lässt sich leichter zu zweit anheben.

► Kann Ihnen niemand helfen, heben Sie das Gerät am Griff an. (Abb. 3)

**1** Um das Gerät zu öffnen, schieben Sie die Schieber in Pfeilrichtung. (Abb. 4)

**2** Ziehen Sie das Stativ und die Lampeneinheit nach oben. (Abb. 5)

**3** Bringen Sie das Bräunungsgerät in die in der Abbildung gezeigte Position. (Abb. 6)

**4** Ziehen Sie die Lampeneinheit am Griff in eine waagrechte Stellung. (Abb. 7)

Dabei hören Sie Klick-Geräusche, wenn die Einheit bestimmte Einstellpositionen passiert.

► Anstelle der vorstehend beschriebenen schrittweisen Methode können Sie die Lampeneinheit aber auch in einer Bewegung am Griff nach oben ziehen. (Abb. 8)

**5** Drehen Sie die Lampeneinheit um 90 Grad. (Abb. 9)

**6** Stellen Sie das Gerät neben ein Bett, wie in der Abbildung gezeigt. (Abb. 10)

Der Abstand zwischen dem UV-Filter und der Liegefläche (z. B. ein Bett) muss 85 cm betragen.

**7** Lösen Sie die Arretierung für die Höheneinstellung durch Herunterschieben der Manschette am Stativ. Ziehen Sie gleichzeitig die Lampeneinheit auf eine Höhe von 85 cm über dem Bett. (Abb. 11)

Lassen Sie die Manschette los, um die Lampeneinheit in dieser Höhenposition zu arretieren.

► Sie können den Abstand zwischen Lampeneinheit und Bett mithilfe des integrierten Maßbands überprüfen.

► Das Band wickelt sich automatisch wieder auf, wenn Sie die rote Lasche zur Seite schieben.

Das Bräunungsgerät ist nun einsatzbereit.

### Das Gerät benutzen

**1** Wickeln Sie das Netzkabel vollständig ab.

**2** Stecken Sie den Stecker in die Steckdose.

- Halten Sie sich an die Tabelle in dieser Bedienungsanleitung und an Ihre eigenen Aufzeichnungen.

- Setzen Sie die mitgelieferte Schutzbrille auf.

Die Schutzbrille sollte ausschließlich beim Bräunen mit einem Philips Bräunungsgerät und nicht für andere Zwecke verwendet werden. Sie entspricht Schutzklasse II gemäß Richtlinie 89/686/EEC.

**3** Stellen Sie die Zeitschaltuhr auf die empfohlene Bräunungsdauer ein. (Abb. 12)

**4** Legen Sie sich unter die Lampeneinheit.

Die Zeitschaltuhr schaltet das Gerät nach Ablauf der eingestellten Bräunungszeit automatisch aus.

► Die Zeitschaltuhr kann auf maximal 45 Minuten eingestellt werden.

► Während der letzten Minute des Bräunungsbads ertönt ein akustisches Signal.

► In dieser Minute können Sie die Zeitschaltuhr neu einstellen, um auch die andere Körperseite zu bräunen. Damit umgehen Sie die Wartezeit von 3 Minuten, die nach dem Abschalten zum Abkühlen der Lampen erforderlich ist.

### Nach dem Bräunungsbad

**1** Notieren Sie die Zahl der bereits genommenen Bräunungsbäder mittels der Memo-Tasten. Das Gerät hat zwei Memo-Tasten für zwei Personen. (Abb. 13)

### Reinigung

**1** Ziehen Sie vor jeder Reinigung den Netzstecker aus der Steckdose und lassen Sie das Gerät abkühlen.

**2** Reinigen Sie die Außenseiten des Geräts mit einem feuchten Tuch.

**3** Reinigen Sie die Schutzbrille mit einem feuchten Tuch.

Achten Sie darauf, dass kein Wasser in das Gerät gelangt.

**4** Verwenden Sie zum Reinigen des Geräts keine Scheuermittel oder -schwämme.

Benutzen Sie zum Reinigen des Geräts keine Scheuermittel oder Lösungsmittel wie Benzin oder Azeton.

► Die Außenseite des UV-Filters können Sie mit einem weichen Tuch reinigen, auf das Sie etwas Spiritus geträufelt haben.

### Aufbewahrung

**1** Lassen Sie das Gerät 15 Minuten lang abkühlen, bevor Sie es in seine Transportstellung klappen und wegräumen.

Zwischenzeitlich können Sie das Kabel aufwickeln und im Gerätefuß verstauen.

**2** Achten Sie darauf, dass das Kabel richtig verstaut ist und nicht zwischen den Scharnieren eingeklemmt wird, wenn Sie das Gerät zum Transport zusammen klappen.

**3** Lösen Sie die Arretierung für die Höheneinstellung, indem Sie die Manschette am Stativ entlang nach unten schieben. Drücken Sie dabei gleichzeitig das Stativ nach unten. Lassen Sie anschließend die Manschette wieder los. (Abb. 14)

**4** Drehen Sie die Lampeneinheit um 90 Grad. (Abb. 15)

**5** Heben Sie die Lampeneinheit leicht mit einer Hand an und entriegeln Sie sie, indem Sie die beiden Entriegelungsschieber mit der anderen Hand nach unten drücken. (Abb. 16)

**6** Halten Sie die beiden Entriegelungsschieber mit einer Hand fest und bringen Sie die Lampe mit der anderen in senkrechte Position. Lassen Sie dann die Schieber los. (Abb. 17)

**7** Senken Sie Stativ und Lampeneinheit vorsichtig auf den Gerätefuß. (Abb. 18)

**8** Arretieren Sie die Lampeneinheit auf dem Gerätefuß, indem Sie die Schieber am Gerätefuß in Pfeilrichtung führen. (Abb. 19)

**9** Das Bräunungsgerät kann unter dem Bett verstaut werden. (Abb. 20)

**10** In aufrechter Stellung passt es auch in einen Schrank. (Abb. 21)

### Ersatz

Die Lichtintensität der UV-Lampen nimmt im Laufe der Zeit ab (bei normalem Gebrauch erst nach einigen Jahren). Sie bemerken dies an der nachlassenden Bräunungsleistung des Geräts. Verlängern Sie dann die Bräunungszeit geringfügig oder lassen Sie die UV-Lampen austauschen. Der UV-Filter schützt vor übermäßigem UV-Licht. Daher sollte ein beschädigter oder zerbrochener Filter unverzüglich ausgewechselt werden. **Die UV-Lampen (Philips HPA Flexpower 400 - 600), der UV-Filter und das Netzkabel dürfen nur durch eine von Philips autorisierte Werkstatt oder von einem Philips Händler ausgetauscht werden. Nur dann ist sichergestellt, dass diese Arbeiten fachgerecht und mit Original-Ersatzteilen ausgeführt werden.**

### Umweltschutz

► **Werfen Sie das Gerät am Ende der Lebensdauer nicht in den normalen Hausmüll. Bringen Sie es zum Recycling zu einer offiziellen Sammelstelle. Auf diese Weise helfen Sie, die Umwelt zu schonen. (Abb. 22)**

Die in diesem Gerät installierten Lampen enthalten Substanzen, die die Umwelt gefährden können. Werfen Sie die Lampen deshalb nicht in den Hausmüll, sondern geben Sie sie bei einer offiziellen Sammelstelle ab.

### Garantie und Kundendienst

Benötigen Sie weitere Informationen oder treten Probleme auf, wenden Sie sich bitte an Ihren Philips-Händler oder setzen Sie sich mit einem Philips Service-Center in Ihrem Land in Verbindung (Telefonnummer siehe Garantieschrift). Besuchen Sie auch die Philips Website ([www.philips.com](http://www.philips.com)). Sie können auch direkt die Service-Abteilung von Philips Domestic Appliances and Personal Care BV kontaktieren.

### Garantieeinschränkungen

Die Bedingungen der internationalen Garantie gelten nicht für die UV-Lampen.

### Fehlerbehebung

Eine Fehlfunktion des Geräts ist unter Umständen auf eine unsachgemäße Installation oder unsachgemäßen Gebrauch zurückzuführen. In diesem Fall können Sie das Problem mithilfe der nachstehenden Tipps zur Fehlerbehebung lösen.

Problem	Lösung
Das Gerät startet nicht.	Die Lampeneinheit befindet sich nicht in der richtigen Position (siehe Kapitel "Für den Gebrauch vorbereiten").
	Der Stecker wurde nicht richtig in die Steckdose gesteckt.
	Möglicherweise liegt ein Stromausfall vor: Überprüfen Sie dies mithilfe eines anderen Elektrogeräts.
	Die Lampen sind noch zu heiß, um sich wieder einzuschalten. Lassen Sie sie zunächst 3 Minuten abkühlen.
	Das Gerät wurde nicht ausreichend gekühlt, so dass sich der Überhitzungsschutz automatisch eingeschaltet hat. Beseitigen Sie die Überhitzungsursache (z. B. ein Handtuch, das einen oder mehrere Lüftungsschlitze abdeckt), warten Sie 10 Minuten und schalten Sie das Gerät dann wieder ein.
Die Sicherung unterbricht beim Einschalten oder Gebrauch des Geräts die Stromzufuhr.	Überprüfen Sie die Sicherung des Stromkreises, an den das Bräunungsgerät angeschlossen ist. Sie benötigen eine 16A-Standardsicherung oder eine träge Automatsicherung. Möglicherweise haben Sie auch zu viele Geräte an denselben Stromkreis angeschlossen.
Die Bräunung entspricht nicht der Erwartung.	Sie haben sich nicht an die für Ihren Hauttyp geeignete Bräunungskur gehalten. Beachten Sie die Informationen in der Tabelle "Das UV-Sonnenbad: Wie oft und wie lange?"
	Der Abstand zwischen den Lampen und Ihrer Liegefläche ist größer als vorgegeben.
	Nach langer Benutzungsdauer lässt die Bräunungsleistung der UV-Lampen nach. Dies wird jedoch erst nach mehreren Jahren spürbar. Verlängern Sie dann die Bräunungszeit oder lassen Sie die UV-Lampen auswechseln.

## Introducción

### El sol

El sol proporciona varios tipos de energía. La luz visible nos permite ver; la luz ultravioleta (UV) nos broncea, y la luz infrarroja (IR) de los rayos solares nos proporciona el calor que nos gusta tomar.

### El solárium

Con este solárium podrá broncearse cómodamente en su casa. Las lámparas de bronceado emiten luz visible, calor y luz ultravioleta, dándole la sensación de que se está bronceando bajo la luz natural del sol. El filtro UV especial sólo deja pasar la luz necesaria para broncearse.

Las lámparas de bronceado emiten suficientes infrarrojos para proporcionar un calor agradable.

Un temporizador asegura que cada sesión no dure más de 45 minutos. Al igual que con la luz solar natural, se debe evitar la exposición excesiva (ver capítulo "El bronceado y la salud")

## Descripción general (fig. 1)

- A** Ruedas
- B** Cable de red en compartimento de recogida
- C** Asa
- D** Temporizador
- E** Botones de memoria (para 2 personas)
- F** Correderas
- G** Soporte
- H** Aro de bloqueo para ajuste de altura
- I** Aro de bloqueo para la unidad de lámparas
- J** Asa
- K** Ventilador (para enfriar)
- L** Unidad de lámparas
- M** Filtro UV
- N** Lámparas de bronceado (modelo Philips HPA flexpower 400-600)
- O** Reflector
- P** Cinta medidora
- Q** Gafas protectoras (2 pares)  
- (modelo HB071/código de servicio 4822 690 80123)
- R** Base
- S** Placa de modelo

## Importante

Antes de usar el aparato, lea atentamente estas instrucciones de uso y consérvelas por si necesitara consultarlas en el futuro.

- ▶ Antes de enchufar el aparato, compruebe si el voltaje indicado en el mismo se corresponde con el voltaje de red de su hogar.
- ▶ El aparato debe conectarse a un circuito que esté protegido con un fusible estándar de 16 A o un fusible automático de acción retardada.
- ▶ Si la toma de corriente donde se enchufa el aparato tiene una conexión defectuosa, la clavija del aparato se calentará. Asegúrese de enchufar el aparato a una toma de corriente debidamente conectada.
- ▶ Si el cable de red está dañado, debe ser sustituido por Philips o por un centro de servicio autorizado por Philips para evitar situaciones de peligro.
- ▶ El agua y la electricidad son una combinación peligrosa. No utilice este aparato en ambientes húmedos (por ej., en el baño o cerca de una ducha o una piscina).
- ▶ Si ha estado nadando o acaba de darse una ducha, séquese completamente antes de usar el aparato.
- ▶ Mantenga el aparato fuera del alcance de los niños.
- ▶ Desenchufe siempre el aparato después de usarlo.
- ▶ Deje que el aparato se enfríe durante unos 15 minutos antes de plegarlo a su posición de transporte y guardarlo.
- ▶ Mueva el aparato sólo cuando esté en posición de transporte.
- ▶ Asegúrese de que las rejillas de ventilación de la unidad de lámparas y de la base permanezcan abiertas durante el uso. No acerque el pelo a la entrada de aire de la unidad de lámparas.
- ▶ El aparato incluye una protección automática contra sobrecalentamiento. Si el aparato no se enfría suficientemente (por ejemplo, porque las rejillas de ventilación estén tapadas), se apagará automáticamente. Una vez que se haya eliminado la causa del sobrecalentamiento y el aparato se haya enfriado, volverá a encenderse de forma automática.
- ▶ El aparato tiene piezas articuladas. Tenga cuidado de no pillarse los dedos entre estas piezas.
- ▶ No sobrepase los tiempos de bronceado recomendados ni el número máximo de horas de exposición (consulte el capítulo "Sesiones de bronceado: frecuencia y duración").
- ▶ La distancia de bronceado debe ser superior a 65 cm.
- ▶ No se broncee una misma parte del cuerpo más de una vez al día. Evite la exposición excesiva a la luz solar natural en el mismo día.
- ▶ No realice una sesión de bronceado si tiene alguna enfermedad o si toma medicamentos o utiliza productos cosméticos que puedan aumentar la sensibilidad de su piel. Ponga especial atención si es muy sensible a la luz ultravioleta. En caso de duda consulte a su médico.
- ▶ No utilice el aparato y consulte a su médico si aparecen efectos inesperados, tal como picor, en las 48 horas posteriores a la primera sesión.
- ▶ No deben utilizar el aparato las personas que al tomar el sol se queman pero no se broncean, las que sufren quemaduras solares, los niños, o aquellas personas que padecen (o han padecido) cáncer de piel o tienen una predisposición a padecerlo.
- ▶ Consulte a su médico si aparecen bultos o llagas persistentes en la piel, o si se producen cambios en lunares pigmentados.
- ▶ Durante la sesión de bronceado, utilice siempre las gafas protectoras que se suministran para proteger los ojos de una exposición excesiva (ver también el capítulo "El bronceado y la salud").
- ▶ Elimine las cremas, lápiz de labios y otros cosméticos antes de someterse a una sesión de bronceado.
- ▶ No utilice filtros solares ni aceleradores del bronceado.
- ▶ Si nota la piel tirante después de una sesión de bronceado, puede aplicarse una crema hidratante.
- ▶ No utilice nunca el aparato sin el filtro UV o con el filtro UV dañado o roto, ni con el temporizador defectuoso.
- ▶ El filtro UV se calienta durante la sesión de bronceado. No lo toque.
- ▶ Los colores pueden perder intensidad con la luz del sol. Lo mismo puede ocurrir al utilizar este aparato.
- ▶ No espere obtener mejores resultados con el aparato que con la luz solar natural.



**Campos electromagnéticos (CEM)**

Este aparato Philips cumple todos los estándares sobre campos electromagnéticos (CEM). Si se utiliza correctamente y de acuerdo con las instrucciones de este manual, el aparato se puede usar de forma segura según los conocimientos científicos disponibles hoy en día.

**El bronceado y la salud**

Al igual que con la luz solar natural, el proceso de bronceado lleva su tiempo. Los primeros efectos sólo serán visibles tras varias sesiones (ver el capítulo: "Sesiones de bronceado: frecuencia y duración").

La exposición excesiva a la luz ultravioleta (ya sea luz solar natural o luz artificial del solárium) puede provocar quemaduras solares.

Además de otros factores, como la exposición excesiva a la luz solar natural, el uso excesivo e incorrecto de este aparato puede aumentar el riesgo de padecer enfermedades cutáneas y oculares. La medida en que esto pueda ocurrir viene determinada, por un lado, por la naturaleza, intensidad y duración de la exposición y, por otro, por la sensibilidad de cada persona.

Cuanto más tiempo se expongan los ojos y la piel a los rayos ultravioleta, mayor será el riesgo de padecer queratitis, conjuntivitis, cataratas, daños en la retina, envejecimiento prematuro de la piel, o de desarrollar tumores cutáneos. Algunos medicamentos y cosméticos aumentan la sensibilidad de la piel.

Por lo tanto, es muy importante:

- que siga las instrucciones de los capítulos "Importante" y "Sesiones de bronceado: frecuencia y duración";
- que la distancia de bronceado (la distancia entre el filtro UV y el cuerpo) sea de 65 cm;
- que no supere el número máximo de horas de bronceado anuales (es decir, 19 horas o 1140 minutos);
- que utilice siempre las gafas de protección mientras se broncea.

**Sesiones de bronceado: frecuencia y duración**

- ▶ No realice más de una sesión de bronceado al día, durante un periodo de cinco a diez días.
- ▶ Deje un intervalo de al menos 48 horas entre la primera y la segunda sesión.
- ▶ Después de este ciclo de entre 5 y 10 días, recomendamos que deje descansar la piel durante un tiempo.
- ▶ Aproximadamente un mes después de un ciclo, la piel habrá perdido gran parte de su bronceado y podrá comenzar otro ciclo.
- ▶ Si quiere mantener el bronceado, no deje de utilizar el solárium después de un ciclo; realice una o dos sesiones por semana.
- ▶ Tanto si elige dejar de broncearse durante un tiempo, como si continúa haciéndolo con menor frecuencia, recuerde que no debe superar el número máximo de horas de bronceado.
- ▶ Para este aparato el número máximo de horas al año es 19 (=1140 minutos).

**Ejemplo**

Supongamos que realiza un ciclo de bronceado de 10 días, con una sesión de 7 minutos el primer día y de 20 minutos los nueve días siguientes. El ciclo completo durará (1 x 7 minutos) + (9 x 20 minutos) = 187 minutos.

Esto significa que en un año podrá realizar 6 de estos ciclos, ya que 6 x 187 minutos = 1122 minutos.

Por supuesto, el número máximo de horas de exposición se aplica por separado para cada parte o lado del cuerpo que vaya a broncear.

En la tabla puede verse que la primera sesión de un ciclo debe tener siempre una duración de 7 minutos, independientemente de la sensibilidad de la piel.

- Si piensa que las sesiones son demasiado largas para usted (si siente la piel tirante y sensible después de una sesión), le recomendamos que reduzca la duración de las sesiones 5 minutos, por ejemplo.
- Para conseguir un bronceado bonito y uniforme, gire el cuerpo ligeramente durante la sesión para que los lados del cuerpo queden mejor expuestos a la luz bronceadora.

Duración de la sesión ultravioleta para cada parte del cuerpo por separado	Para personas con piel muy sensible	Para personas con piel de sensibilidad normal	Para personas con piel poco sensible
1ª sesión	7 minutos	7 minutos	7 minutos
descanso de al menos 48 horas			
2ª sesión	10 minutos	20 - 25 minutos	30 minutos*
3ª sesión	10 minutos	20 - 25 minutos	30 minutos*
4ª sesión	10 minutos	20 - 25 minutos	30 minutos*
5ª sesión	10 minutos	20 - 25 minutos	30 minutos*
6ª sesión	10 minutos	20 - 25 minutos	30 minutos*
7ª sesión	10 minutos	20 - 25 minutos	30 minutos*
8ª sesión	10 minutos	20 - 25 minutos	30 minutos*
9ª sesión	10 minutos	20 - 25 minutos	30 minutos*
10ª sesión	10 minutos	20 - 25 minutos	30 minutos*

\*) o más, en función de la sensibilidad de su piel.

Si siente la piel ligeramente tirante después del bronceado, puede aplicarse una crema hidratante.

**Preparación para su uso**

- ▶ El aparato se puede mover fácilmente en la posición de transporte. (fig. 2)

Es más fácil levantar el aparato entre dos personas.

- ▶ Si tiene que levantarlo solo, utilice el asa. (fig. 3)

**1** Para abrir el aparato, desplace las correderas en la dirección de la flecha. (fig. 4)

**2** Tire del soporte y de la unidad de lámparas hacia arriba. (fig. 5)

**3** Coloque el solárium en la posición indicada. (fig. 6)

**4 Levante la unidad de lámparas hasta la posición horizontal. Utilice el asa para hacer esto. (fig. 7)**

Oírás unos "clics" al mover la unidad de lámparas y pasar por ciertas posiciones fijas.

► En lugar de hacerlo paso a paso, también puede levantar la unidad de lámparas por su asa en un sólo movimiento. (fig. 8)

**5 Gire la unidad de lámparas un cuarto de vuelta. (fig. 9)****6 Coloque el solárium junto a una cama tal y como se indica en la figura. (fig. 10)**

La distancia entre el filtro UV y la superficie sobre la que esté tumbado (por ejemplo, la cama), debe ser de 85 cm.

**7 Libere el bloqueo del ajuste de altura deslizando el aro hacia abajo. Al mismo tiempo tire de la unidad de lámparas hacia arriba hasta una altura de 85 cm sobre la cama. (fig. 11)**

Suelte el aro para bloquear la posición de la unidad de lámparas.

► Puede comprobar la distancia entre la unidad de lámparas y la cama con la cinta medidora.

► La cinta medidora se recogerá automáticamente si mueve la lengüeta roja hacia un lado.

El aparato está listo para usar.

### Uso del aparato

**1 Desenrolle completamente el cable de red.****2 Enchufe el aparato a la toma de corriente.**

- Consulte la tabla de estas instrucciones y sus propias anotaciones.

- Utilice las gafas protectoras que se suministran.

Las gafas protectoras sólo se deben utilizar con un aparato de bronceado Philips. No se deben utilizar para otros fines. Las gafas protectoras cumplen con la protección clase II de acuerdo con la directiva 89/686/EEC.

**3 Establezca en el temporizador el tiempo adecuado para la sesión de bronceado. (fig. 12)****4 Tumbese bajo la unidad de lámparas.**

El temporizador apagará el solárium automáticamente cuando haya transcurrido el tiempo de bronceado establecido.

► El tiempo máximo de bronceado que se puede establecer en el temporizador es de 45 minutos.

► Durante el último minuto de la sesión oírás un pitido.

► Durante este minuto puede reiniciar el temporizador para broncearse el otro lado del cuerpo. Así evitará tener que esperar los 3 minutos necesarios para permitir que las lámparas de bronceado se enfríen después de apagarlas.

### Después de una sesión de bronceado

**1 Guarde la información de las sesiones que haya realizado mediante los botones de memoria. El aparato dispone de dos botones de memoria (para dos personas). (fig. 13)**

### Limpieza

**1 Antes de limpiarlo, desenchufe siempre el aparato y deje que se enfríe.****2 Limpie la parte exterior con un paño húmedo.****3 Limpie las gafas protectoras con un paño húmedo.**

No deje que entre agua en el aparato.

**4 No utilice productos abrasivos ni estropajos.**

No utilice nunca líquidos ni agentes abrasivos como estropajos, gasolina o acetona para limpiar el aparato.

► Puede limpiar la parte exterior del filtro UV con un paño suave impregnado con unas gotas de alcohol metílico.

### Almacenamiento

**1 Antes de poner el aparato en la posición de transporte y guardarlo, deje que se enfríe durante 15 minutos.**

Mientras tanto puede recoger el cable y colocarlo en la base del aparato.

**2 Asegúrese de guardar correctamente el cable y de que no quede atrapado entre las partes móviles del aparato cuando lo ponga en la posición de transporte.****3 Libere el bloqueo del ajuste de altura deslizando el aro hacia abajo. Al mismo tiempo, empuje el soporte hacia abajo. Después, suelte el aro. (fig. 14)****4 Gire la unidad de lámparas un cuarto de vuelta. (fig. 15)****5 Levante un poco la unidad de lámparas con una mano, y desbloquéela desplazando las 2 correderas de desbloqueo hacia abajo con su otra mano. (fig. 16)****6 Mantenga las 2 correderas de desbloqueo abajo con una mano, y pliegue la unidad de lámparas a su posición vertical con la otra. Después, suelte las correderas de desbloqueo. (fig. 17)****7 Con cuidado, baje el soporte y la unidad de lámparas hasta la base del aparato. (fig. 18)****8 Bloquee la unidad de lámparas en la base desplazando las correderas de la base en la dirección de la flecha. (fig. 19)****9 El solárium se puede guardar debajo de una cama. (fig. 20)****10 También se puede guardar en un armario en posición vertical. (fig. 21)**

### Sustitución

La luz de las lámparas de bronceado perderá intensidad con el tiempo (es decir, tras unos años de uso normal). Cuando esto ocurra, notará que la capacidad de bronceado del aparato disminuye. Para solucionar este problema programe un tiempo de bronceado ligeramente superior o sustituya las lámparas.

El filtro UV protege contra la exposición a luz ultravioleta no deseada. Por lo tanto es muy importante cambiar de inmediato el filtro si está dañado o roto.

Haga que cambien las lámparas de bronceado (HPA flexpower 400-600 de Philips), el filtro UV y el cable en un distribuidor o centro de servicio autorizado por Philips, ya que ellos tienen los conocimientos y cualificación necesarios para realizar esta tarea, así como las piezas de repuesto originales del aparato.

**Medio ambiente**

► Al final de su vida útil, no tire el aparato junto con la basura normal del hogar. Llévelo a un punto de recogida oficial para su reciclado. De esta manera ayudará a conservar el medio ambiente. (fig. 22)

Las lámparas de este aparato contienen sustancias que pueden ser perjudiciales para el medio ambiente. Cuando deseche las lámparas, no las tire junto con la basura normal del hogar; deposítelas en un punto de recogida oficial.

**Garantía y servicio**

Si necesita información o si tiene algún problema, visite la página Web de Philips en [www.philips.com](http://www.philips.com), o póngase en contacto con el Servicio de Atención al Cliente de Philips en su país (hallará el número de teléfono en el folleto de la garantía). Si no hay Servicio de Atención al Cliente de Philips en su país, diríjase a su distribuidor local Philips o póngase en contacto con el Service Department de Philips Domestic Appliances and Personal Care BV.

**Restricciones de la garantía**

La garantía internacional no cubre las lámparas de bronceado.

**Guía de resolución de problemas**

Puede que el aparato no funcione correctamente si no se ha instalado o utilizado según las instrucciones. En ese caso, podrá solucionar el problema usted mismo siguiendo los siguientes consejos para la resolución de problemas.

Problema	Solución
El aparato no se enciende.	La unidad de lámparas no se ha colocado en la posición adecuada (consulte el capítulo "Preparación para su uso").
	La clavija no se ha enchufado correctamente a la red.
	Puede que haya un fallo en el suministro de energía. Compruébelo con otro aparato.
	Las lámparas aún están demasiado calientes para encenderse. Deje que las lámparas se enfríen durante 3 minutos.
El aparato no se ha enfriado lo suficiente y la protección contra sobrecalentamiento ha apagado el aparato automáticamente. Elimine la causa del sobrecalentamiento (por ejemplo, una toalla que esté bloqueando una o más rejillas de ventilación). Espere 10 minutos y vuelva a encender el aparato.	
El fusible interrumpe la alimentación cuando enciende el solárium o durante su uso.	Compruebe el fusible del circuito al que está conectado el solárium. El tipo correcto de fusible es un fusible estándar de 16 A o un fusible automático de acción retardada. El fusible también puede saltar porque hay demasiados aparatos conectados al mismo circuito.
Bronceado insuficiente	No se ha seguido la tabla de bronceado adecuada para su tipo de piel. Consulte la tabla del capítulo "Sesiones de bronceado: frecuencia y duración".
	La distancia entre las lámparas y la superficie sobre la que está tumbado es superior a la aconsejada.
	Después de utilizar durante mucho tiempo las lámparas, disminuye la emisión de luz ultravioleta. Este efecto sólo es evidente pasados algunos años. Para solucionar este problema seleccione un tiempo de bronceado ligeramente superior o sustituya las lámparas.

## Introduction

### Le soleil

Le soleil émet un rayonnement complexe : sa lumière nous permet de voir; ses rayons ultraviolets (UV) font bronzer notre peau et ses rayons infrarouges (IR) génèrent de la chaleur.

### Le solarium

Ce solarium vous permet de bronzer confortablement chez vous. Les lampes émettent de la lumière, de la chaleur et des rayons ultraviolets, tout comme le soleil, et le filtre UV spécial laisse uniquement passer les rayons nécessaires au bronzage.

Les lampes émettent suffisamment de rayons infrarouges pour donner une confortable sensation de chaleur.

Un minuteur coupe automatiquement l'alimentation de l'appareil après 45 minutes de bronzage pour éviter toute surexposition (voir le chapitre « Bronzage et santé »).

## Description générale (fig. 1)

- A** Roulettes
- B** Compartiment du cordon d'alimentation
- C** Poignée
- D** Minuteur
- E** Boutons de mémoire (pour deux personnes)
- F** Glissières
- G** Pied
- H** Anneau de verrouillage (réglage de la hauteur)
- I** Anneau de verrouillage (bloc lampe)
- J** Poignée
- K** Ventilateur (refroidissement)
- L** Bloc lampe
- M** Filtre UV
- N** Lampes (de type Philips HPA FlexPower 400-600)
- O** Réflecteur
- P** Mètre à ruban
- Q** Lunettes de protection (2 paires)  
- (modèle HB071/référence 4822 690 80123)
- R** Socle
- S** Plaque signalétique

## Important

Avant d'utiliser l'appareil, lisez les instructions ci-dessous et conservez ce mode d'emploi pour un usage ultérieur.

- ▶ Avant de brancher l'appareil, vérifiez que la tension indiquée sur l'appareil correspond à la tension secteur locale.
- ▶ L'appareil doit être branché sur un circuit protégé par un fusible standard 16 A ou par un fusible automatique à action retardée.
- ▶ Si la prise secteur utilisée est en mauvais état, la fiche de l'appareil risque de surchauffer. Veillez à brancher l'appareil sur une prise secteur en bon état de marche.
- ▶ Si le cordon d'alimentation est endommagé, il doit être remplacé par Philips ou un Centre Service Agréé afin d'éviter tout accident.
- ▶ L'eau et l'électricité ne font pas bon ménage ! N'utilisez jamais l'appareil dans un environnement humide (dans la salle de bain ou près d'une douche ou d'une piscine par exemple).
- ▶ Si vous venez de nager ou de prendre une douche, séchez-vous parfaitement avant d'utiliser l'appareil.
- ▶ Veillez à ne pas laisser les enfants jouer avec l'appareil.
- ▶ Débranchez toujours l'appareil après utilisation.
- ▶ Laissez l'appareil refroidir pendant environ 15 minutes avant de le replier en position de transport et de le ranger.
- ▶ Mettez toujours l'appareil en position de transport pour le déplacer.
- ▶ En cours de fonctionnement, n'obtenez pas les orifices de ventilation du bloc lampe et du socle. Évitez d'approcher vos cheveux de l'entrée d'air du bloc lampe.
- ▶ L'appareil bénéficie d'une protection intégrée contre les surchauffes. Si le refroidissement est insuffisant (en cas d'obstruction des aérations, par exemple), l'appareil s'éteint automatiquement. Une fois la cause de la surchauffe éliminée et la température revenue à un niveau acceptable, l'appareil se rallume automatiquement.
- ▶ L'appareil est monté sur charnières. Veillez à ne pas vous y coincer les doigts.
- ▶ Ne dépassez pas les durées de bronzage recommandées, ni le nombre maximum d'heures de bronzage par an (voir le chapitre « Séances de bronzage : durée et fréquence »).
- ▶ Ne placez pas le solarium à une distance inférieure à 65 cm.
- ▶ Évitez de faire bronzer une même partie du corps plus d'une fois par jour et de vous exposer au soleil le jour d'une séance de bronzage.
- ▶ N'utilisez pas l'appareil si vous souffrez d'une maladie, prenez des médicaments ou utilisez des produits cosmétiques susceptibles d'augmenter la sensibilité de la peau. Redoublez de prudence en cas d'hypersensibilité aux UV. En cas de doute, consultez votre médecin.
- ▶ Si vous observez des effets indésirables tels que des démangeaisons dans les 48 heures suivant la première séance, cessez d'utiliser l'appareil et consultez votre médecin.
- ▶ L'utilisation de l'appareil est strictement interdite aux personnes prédisposées aux coups de soleil, aux personnes souffrant de coups de soleil, aux enfants, ou aux personnes atteintes (ou ayant souffert) d'un cancer de la peau ou prédisposées au cancer de la peau.
- ▶ Consultez votre médecin si vous avez des ulcères ou des boutons tenaces de la peau ou si vous observez un changement d'aspect ou de taille des grains de beauté pigmentés.
- ▶ Portez toujours les lunettes fournies afin de protéger vos yeux de la lumière (voir également le chapitre « Bronzage et santé »).
- ▶ Retirez toute trace de crème, de rouge à lèvres ou de produit cosmétique avant une séance de bronzage.
- ▶ N'employez pas de lotions ou de crèmes solaires.
- ▶ Si votre peau est sèche après la séance de bronzage, vous pouvez appliquer une crème hydratante.
- ▶ N'utilisez jamais l'appareil si le filtre UV est endommagé, cassé ou absent, ou si le minuteur est défectueux.
- ▶ Le filtre UV chauffe en cours de fonctionnement. Évitez de le toucher.
- ▶ Certaines couleurs pâlisent au contact des rayons du soleil. Le même phénomène peut se produire lors de l'utilisation du solarium.
- ▶ Le solarium ne garantit pas de meilleurs résultats de bronzage par rapport à une exposition au soleil.

## Champs électromagnétiques

Cet appareil Philips est conforme à toutes les normes relatives aux champs électromagnétiques (CEM). Il répond aux règles de sécurité établies sur la base des connaissances scientifiques actuelles s'il est manipulé correctement et conformément aux instructions de ce mode d'emploi.

### Bronzage et santé

Comme le bronzage naturel, le bronzage aux UV nécessite un certain temps. Les premiers effets ne seront visibles qu'après quelques séances (voir le chapitre « Séances de bronzage : fréquence et durée »).

Une surexposition aux rayons ultraviolets (du soleil ou du solarium) peut engendrer des coups de soleil.

Outre plusieurs autres facteurs, comme la surexposition au soleil, une utilisation incorrecte ou excessive du solarium peut augmenter le risque de maladie de la peau ou des yeux. La gravité de ces maladies dépend d'une part de la nature, de l'intensité et de la durée de l'exposition, et d'autre part de la sensibilité de chacun.

Une exposition prolongée de la peau et des yeux aux UV augmente le risque d'affections telles que la kératite, la conjonctivite, les dommages à la rétine, la cataracte, le vieillissement prématuré de la peau et les tumeurs de la peau. Certains médicaments et produits cosmétiques contribuent à augmenter la sensibilité de la peau.

Il est dès lors très important de :

- suivre les instructions fournies dans les chapitres « Important » et « Séances de bronzage : durée et fréquence » ;
- respecter la distance de bronzage de 65 cm (entre le filtre UV et le corps) ;
- ne pas dépasser le nombre maximum d'heures de bronzage par an (c.-à-d. 19 heures ou 1 140 minutes) ;
- toujours porter les lunettes fournies pendant le bronzage.

### Séances de bronzage : durée et fréquence

- ▶ Effectuez une seule séance de bronzage par jour pendant une période de cinq à dix jours.
- ▶ Espacez les deux premières séances de bronzage d'au moins 48 heures.
- ▶ Après ce programme, laissez reposer votre peau pendant un certain temps.
- ▶ Environ un mois plus tard, votre peau aura perdu une grande partie du bronzage. Vous pouvez alors commencer un nouveau programme.
- ▶ Pour entretenir votre bronzage, effectuez une ou deux séances d'UV par semaine, après avoir suivi le programme initial.
- ▶ Que vous choisissiez de faire une pause pendant quelques jours ou de continuer le bronzage à une intensité plus faible, il est impératif de ne pas dépasser le nombre maximum d'heures de bronzage par an.
- ▶ Pour ce solarium, le nombre maximum d'heures de bronzage est de 19 heures (= 1 140 minutes) par an.

### Exemple

Supposons que vous suiviez un programme de bronzage de 10 jours avec une séance de 7 minutes le premier jour et des séances de 20 minutes les neuf jours suivants.

Ce programme comprend donc  $(1 \times 7 \text{ minutes}) + (9 \times 20 \text{ minutes}) = 187 \text{ minutes}$ .

Vous pouvez suivre 6 de ces programmes par an (puisque  $6 \times 187 \text{ minutes} = 1 122 \text{ minutes}$ ).

Le nombre maximal d'heures de bronzage s'applique bien sûr à chaque partie du corps (comme l'avant et le dos).

Dans le tableau ci-dessous, vous verrez que la durée de la première séance est toujours de 7 minutes, quelle que soit la sensibilité de la peau.

- Si les séances vous semblent trop longues (si vous avez l'impression que votre peau tire en fin de séance par exemple), il est recommandé d'en réduire la durée d'environ 5 minutes.
- Pour obtenir un bronzage uniforme, tournez-vous légèrement en cours de séance pour mieux exposer les côtés aux rayons.

Durée de la séance de bronzage pour chaque partie du corps	Pour personnes à peau très sensible	Pour personnes à peau normale	Pour personnes à peau peu sensible
1re séance	7 minutes	7 minutes	7 minutes
repos d'au moins 48 heures			
2e séance	10 minutes	20-25 minutes	30 minutes*
3e séance	10 minutes	20-25 minutes	30 minutes*
4e séance	10 minutes	20-25 minutes	30 minutes*
5e séance	10 minutes	20-25 minutes	30 minutes*
6e séance	10 minutes	20-25 minutes	30 minutes*
7e séance	10 minutes	20-25 minutes	30 minutes*
8e séance	10 minutes	20-25 minutes	30 minutes*
9e séance	10 minutes	20-25 minutes	30 minutes*
10e séance	10 minutes	20-25 minutes	30 minutes*

\*) ou plus, en fonction de la sensibilité de la peau.

Si votre peau tire un peu à la fin de la séance de bronzage, vous pouvez appliquer une crème hydratante.

### Avant utilisation

- ▶ Une fois l'appareil en position de transport, il est très facile à déplacer. (fig. 2)

Vous aurez moins de difficultés à le soulever avec l'aide d'une autre personne.

- ▶ Si vous devez soulever l'appareil seul, servez-vous de la poignée. (fig. 3)

- 1 Pour ouvrir l'appareil, déplacez les glissières dans le sens de la flèche. (fig. 4)

- 2 Tirez le pied et le bloc lampe vers le haut. (fig. 5)

- 3 Placez le solarium dans la position indiquée. (fig. 6)

- 4 À l'aide de la poignée, tirez le bloc lampe vers le haut pour le placer en position horizontale. (fig. 7)

Vous entendrez des clics à chaque fois que le bloc lampe passera par certaines positions.

► Au lieu de suivre la procédure ci-dessous, vous pouvez également déployer l'appareil en un seul mouvement en tirant le bloc lampe vers le haut à l'aide de la poignée. (fig. 8)

**5** Faites tourner le bloc lampe d'un quart de tour. (fig. 9)

**6** Placez le solarium près d'un lit tel qu'illustré. (fig. 10)

La distance séparant le filtre UV de la surface sur laquelle vous vous allongerez (le lit par exemple) doit être de 85 cm.

**7** Faites glisser l'anneau de verrouillage du réglage de la hauteur vers le bas. Simultanément, tirez le bloc lampe vers le haut jusqu'à atteindre une hauteur de 85 cm par rapport au lit. (fig. 11)

Relâchez l'anneau pour verrouiller le bloc lampe à la hauteur souhaitée.

► Vous pouvez vérifier la distance séparant le bloc lampe du lit à l'aide du mètre à ruban.

► Le mètre à ruban s'enroule automatiquement lorsque vous déplacez la languette rouge sur le côté.

L'appareil est désormais prêt à l'emploi.

### Utilisation de l'appareil

**1** Déroulez complètement le cordon d'alimentation.

**2** Branchez le cordon d'alimentation sur la prise secteur.

- Consultez le tableau de ce mode d'emploi, ainsi que vos notes.

- Mettez les lunettes de protection fournies.

Employez les lunettes de protection exclusivement lors de l'utilisation d'un solarium Philips. Ne les utilisez pas à d'autres fins. Les lunettes de protection sont conformes à la directive 89/686/CEE, classe II.

**3** Réglez la durée de la séance de bronzage à l'aide du minuteur. (fig. 12)

**4** Allongez-vous sous les lampes.

L'appareil s'arrête automatiquement à la fin de la durée définie.

► Le minuteur peut être réglé sur une durée maximale de 45 minutes.

► Pendant la dernière minute de la séance, l'appareil émet un signal sonore.

► Pendant ce temps, vous pouvez réinitialiser le minuteur pour faire bronzer l'autre côté de votre corps. En procédant de la sorte, vous évitez de devoir attendre 3 minutes, la durée nécessaire pour refroidir les lampes une fois qu'elles se sont éteintes.

### Après la séance de bronzage

**1** Enregistrez le nombre de séances effectuées à l'aide des boutons de mémoire. L'appareil est équipé de deux boutons de mémoire pour suivre le programme de deux utilisateurs. (fig. 13)

### Nettoyage

**1** Débranchez toujours l'appareil et laissez-le refroidir avant de le nettoyer.

**2** Nettoyez l'extérieur de l'appareil à l'aide d'un chiffon humide.

**3** Nettoyez les lunettes de protection à l'aide d'un chiffon humide.

Veillez à ne pas faire pénétrer d'eau dans l'appareil.

**4** N'utilisez pas de détergents ni de tampons à récurer.

N'utilisez jamais de produits abrasifs tels que détergents à récurer, essence ou acétone pour nettoyer l'appareil.

► Nettoyez l'extérieur du filtre UV à l'aide d'un chiffon doux humecté d'alcool dénaturé.

### Rangement

**1** Laissez l'appareil refroidir pendant 15 minutes avant de le replier en position de transport et de le ranger.

Pendant ce temps, vous pouvez enrouler le cordon et le ranger dans le socle.

**2** Veillez à ranger le cordon correctement pour éviter qu'il ne se coince dans les charnières de l'appareil lorsque vous le repliez.

**3** Faites glisser l'anneau de verrouillage du réglage de la hauteur vers le bas. Poussez le pied vers le bas, puis relâchez l'anneau. (fig. 14)

**4** Faites tourner le bloc lampe d'un quart de tour. (fig. 15)

**5** Soulevez légèrement la lampe avec une main, puis déverrouillez-la en poussant les deux glissières vers le bas avec l'autre main. (fig. 16)

**6** Maintenez les deux glissières vers le bas avec une main, puis placez le bloc lampe en position verticale avec l'autre main. Ensuite, relâchez les deux glissières. (fig. 17)

**7** Abaissez le pied et le bloc lampe avec précaution jusqu'au socle. (fig. 18)

**8** Verrouillez le bloc lampe sur le socle en déplaçant les glissières dans le sens de la flèche. (fig. 19)

**9** Vous pouvez ranger le solarium sous un lit. (fig. 20)

**10** Vous pouvez également le ranger dans une armoire, en position verticale. (fig. 21)

### Remplacement

Avec le temps (après plusieurs années en cas d'utilisation normale), l'intensité de la lumière émise par les lampes diminue, ainsi que leur efficacité. Vous pouvez compenser cette perte d'efficacité en augmentant le temps d'exposition ou en remplaçant les lampes.

Le filtre UV vous protège contre les rayons nocifs. Il est dès lors impératif de le remplacer immédiatement s'il est endommagé ou cassé.

**Confiez toujours le remplacement des lampes (Philips HPA FlexPower 400-600), du filtre UV et du cordon d'alimentation à un distributeur Philips ou à un Centre Service Agréé. Ils sont les seuls à disposer du personnel qualifié pour ce genre d'intervention, ainsi que des pièces de rechange d'origine pour l'appareil.**

## Environnement

► Lorsqu'il ne fonctionnera plus, ne jetez pas l'appareil avec les ordures ménagères mais déposez-le à un endroit assigné à cet effet, où il pourra être recyclé. Vous contribuerez ainsi à la protection de l'environnement. (fig. 22)

Les lampes contiennent des substances qui peuvent nuire à l'environnement. Lorsque vous mettez les lampes au rebut, ne les jetez pas avec les ordures ménagères, mais déposez-les à un endroit assigné à cet effet.

## Garantie et service

Si vous souhaitez obtenir des informations supplémentaires, réparer l'appareil ou si vous rencontrez un problème, visitez le site Web de Philips à l'adresse [www.philips.com](http://www.philips.com) ou contactez le Service Consommateurs Philips de votre pays (vous trouverez le numéro de téléphone correspondant sur le dépliant de garantie internationale). S'il n'existe pas de Service Consommateurs Philips dans votre pays, renseignez-vous auprès de votre revendeur local ou contactez le « Service Department of Philips Domestic Appliances and Personal Care BV ».

## Limitation de garantie

Les lampes de l'appareil ne sont pas couvertes par la garantie internationale.

## Dépannage

Il est possible que l'appareil ne fonctionne pas correctement s'il n'a pas été installé ou utilisé conformément aux instructions. Dans ce cas, consultez les solutions de dépannage ci-dessous pour résoudre le problème.

Problème	Solution
Impossible de mettre l'appareil en marche.	Le bloc lampe n'a pas été placé dans la bonne position (voir le chapitre « Avant utilisation »).
	La fiche du cordon d'alimentation n'a pas été correctement insérée dans la prise secteur.
	Il y a peut-être une panne de courant. Branchez un autre appareil pour vérifier.
	Les lampes sont encore trop chaudes. Laissez-les refroidir pendant 3 minutes.
Le fusible coupe l'alimentation du solarium à sa mise sous tension ou en cours de fonctionnement.	L'appareil n'a pas refroidi suffisamment et le système de protection contre les surchauffes l'a éteint automatiquement. Éliminez la cause de la surchauffe (une serviette obturant les orifices de ventilation par exemple), puis patientez 10 minutes avant de remettre l'appareil en marche.
	Contrôlez le fusible du circuit auquel le solarium est connecté. Il doit être de type standard 16 A ou automatique à action retardée. Le fusible peut également avoir sauté parce que vous avez connecté un trop grand nombre d'appareils à un même circuit.
Résultats de bronzage peu satisfaisants.	Le programme de bronzage que vous suivez n'est pas adapté à votre type de peau. Consultez le tableau du chapitre « Séances de bronzage : durée et fréquence ».
	La distance entre les lampes et la surface sur laquelle vous êtes allongé dépasse la distance recommandée.
	Après une longue durée d'utilisation (plusieurs années), l'intensité des rayons UV émis par les lampes diminue. Vous pouvez compenser cette perte d'efficacité en augmentant les durées d'exposition ou en remplaçant les lampes.

## Introduzione

### Il sole

Il sole fornisce diversi tipi di energia. I raggi visibili ci permettono di vedere, quelli ultravioletti (UV) permettono alla pelle di abbronzarsi, mentre quelli infrarossi (IR) ci riscaldano piacevolmente.

### Solarium

Questo solarium consente di abbronzarvi stando comodamente a casa. Le lampade abbronzanti emettono luce visibile, calore e raggi ultravioletti dandovi la sensazione di essere esposti alla luce naturale del sole. Lo speciale filtro UV lascia passare unicamente i raggi necessari all'abbronzatura.

Le lampade abbronzanti emettono raggi infrarossi sufficienti per fornire una piacevole sensazione di calore.

Il timer assicura che la durata di ciascuna seduta non superi i 45 minuti. Come per i raggi solari, è sempre meglio evitare un'esposizione eccessiva (consultate il capitolo "L'abbronzatura e la vostra salute").

## Descrizione generale (fig. 1)

- A** Rotelle
- B** Cavo di alimentazione nel vano di avvolgimento
- C** Impugnatura
- D** Timer
- E** Manopole memo (per due persone)
- F** Parti scorrevoli
- G** Supporto
- H** Collare di blocco per la regolazione dell'altezza
- I** Collare di blocco per la lampada
- J** Impugnatura
- K** Ventola (di raffreddamento)
- L** Lampada
- M** Filtro UV
- N** Lampade abbronzanti (modello HPA flexpower 400-600 Philips)
- O** Riflettore
- P** Rollina metrica
- Q** Occhiali di protezione (2 paia)  
- (modello HB071/n. di codice 4822 690 80123)
- R** Base
- S** Targhetta modello

## Importante

Prima di utilizzare l'apparecchio, leggete attentamente le istruzioni e conservatele per eventuali riferimenti futuri.

- ▶ **Prima di usare l'apparecchio, controllate che la tensione indicata corrisponda a quella della rete locale.**
- ▶ **L'apparecchio deve essere collegato a un circuito protetto da un fusibile standard da 16A o un fusibile automatico versione lenta.**
- ▶ **Se la presa di corrente a cui viene collegato l'apparecchio presenta collegamenti scadenti, la spina dell'apparecchio potrebbe diventare incandescente. Assicuratevi di collegare l'apparecchio a una presa di corrente integra.**
- ▶ **Nel caso in cui il cavo di alimentazione fosse danneggiato, dovrà essere sostituito presso i centri autorizzati Philips, i rivenditori specializzati oppure da personale opportunamente qualificato, per evitare situazioni pericolose.**
- ▶ **Acqua ed elettricità costituiscono una combinazione pericolosa! Non usate l'apparecchio in ambienti umidi (ad es. in bagno, vicino a docce o piscine).**
- ▶ **Al termine di una nuotata o dopo aver fatto la doccia, asciugatevi con cura prima di usare l'apparecchio.**
- ▶ **Assicuratevi che i bambini non giochino con l'apparecchio.**
- ▶ **Scollegate sempre il cavo di alimentazione dopo l'uso.**
- ▶ **Lasciate raffreddare l'apparecchio per circa 15 minuti dopo averlo utilizzato e prima di porlo in posizione da trasporto per conservarlo.**
- ▶ **Spostate l'apparecchio solo quando si trova in posizione da trasporto.**
- ▶ **Accertatevi che le ventole nella lampada e nella base rimangano aperte durante l'utilizzo. Tenete lontani i capelli dall'uscita per l'aria della lampada.**
- ▶ **L'apparecchio è dotato di un sistema automatico di protezione contro il surriscaldamento. Se l'apparecchio non è sufficientemente raffreddato (ad esempio a causa dell'ostruzione dei fori di ventilazione), l'apparecchio si spegne automaticamente. Dopo che la causa del surriscaldamento è stata eliminata e l'apparecchio si è raffreddato, la riaccensione avviene automaticamente.**
- ▶ **L'apparecchio contiene parti provviste di cardini; prestate attenzione a non introdurre le dita tra queste parti.**
- ▶ **Non superate il numero di sedute o le ore di abbronzatura consigliate (si veda la sezione "Sedute abbronzanti: quante volte e per quanto tempo?").**
- ▶ **Posizionate l'apparecchio a una distanza di almeno 65 cm.**
- ▶ **Non esponete una determinata parte del corpo per più di una volta al giorno. Evitate un'eccessiva esposizione ai raggi di luce solare naturale nello stesso giorno.**
- ▶ **Non utilizzate l'apparecchio abbronzante in presenza di patologie e/o sotto effetto di farmaci o dopo aver applicato cosmetici, in quanto potrebbe aumentare la sensibilità della pelle. Prestate particolare attenzione in caso di nota ipersensibilità ai raggi UV. In caso di dubbi, consultate il vostro medico.**
- ▶ **Se si presentano effetti indesiderati, ad esempio prurito, nelle 48 ore successive alla prima seduta, non usate più il solarium e consultate il vostro medico.**
- ▶ **L'apparecchio non deve essere usato da persone che si scottano senza abbronzarsi, da persone già scottate, dai bambini o da persone affette (o che sono state affette in passato) da tumori alla pelle o comunque predisposte ad essi.**
- ▶ **Consultate il medico qualora appaiano sulla pelle noduli persistenti o ulcerazioni, oppure nel caso in cui i nei pigmentati cambino colore.**
- ▶ **Durante le sedute, indossate sempre gli occhiali di protezione in dotazione per proteggere gli occhi da un'eccessiva esposizione (consultate il capitolo "L'abbronzatura e la vostra salute").**
- ▶ **Prima di iniziare una seduta abbronzante, togliete qualsiasi traccia di creme, rossetti o altri cosmetici.**
- ▶ **Non usate creme solari o prodotti per accelerare l'abbronzatura.**
- ▶ **Nel caso la pelle risultasse troppo secca dopo una seduta, applicate una crema idratante.**
- ▶ **Non utilizzate mai l'apparecchio nel caso sia danneggiato o rotto il filtro UV oppure quando il timer è difettoso.**



- ▶ Il filtro UV diventa caldo durante la sessione abbronzante; non toccatelo.
- ▶ Alcuni colori possono sbiadire per effetto del sole: è possibile che si verifichi lo stesso effetto utilizzando il solarium.
- ▶ Il solarium non assicura risultati migliori rispetto a quelli ottenuti per effetto dei raggi naturali del sole.

### Campi elettromagnetici (EMF)

Questo apparecchio Philips è conforme a tutti gli standard relativi ai campi elettromagnetici (EMF). Se utilizzato in modo appropriato seguendo le istruzioni contenute nel presente manuale, l'apparecchio consente un utilizzo sicuro come confermato dai risultati scientifici attualmente disponibili.

### L'abbronzatura e la vostra salute

Il processo di abbronzatura come fenomeno naturale, richiede un certo periodo di tempo, sia esso legato al sole o all'apparecchio abbronzante. I primi risultati si notano solo dopo alcune sedute (si veda la sezione: "Sedute abbronzanti: quante volte e per quanto tempo?").

Dopo un'eccessiva esposizione ai raggi ultravioletti (luce naturale o artificiale del solarium), la pelle può scottarsi.

Insieme a numerosi altri fattori, fra cui un'esposizione eccessiva ai raggi del sole, l'uso improprio o eccessivo dell'apparecchio abbronzante può aumentare il rischio di problemi alla pelle o agli occhi. Da una parte, la natura, l'intensità e la durata delle radiazioni e dall'altra la sensibilità individuale sono fattori decisivi per stabilire il grado con cui questi problemi si possono verificare.

Più gli occhi e la pelle sono esposti ai raggi UV, maggiore sarà il rischio di disturbi quali infiammazione della cornea, congiuntivite, lesione della retina, cataratta, invecchiamento precoce e tumori della pelle. Alcuni farmaci e cosmetici possono inoltre aumentare la sensibilità della pelle.

È pertanto della massima importanza:

- attenersi alle istruzioni riportate nel capitolo "Importante" e nella sezione "Sedute abbronzanti: quante volte e per quanto tempo?";
- mantenere una distanza di almeno 65 cm (tra il filtro UV e il corpo);
- non superare il numero annuo consigliato di ore di abbronzatura (ad es., 19 ore o 1140 minuti);
- indossare sempre gli speciali occhiali di protezione durante le sedute.

### Sedute abbronzanti: quante volte e per quanto tempo?

- ▶ Non sottoponetevi a più di una sessione abbronzante al giorno nell'arco di 5/10 giorni.
- ▶ Attendete almeno 48 ore tra la prima e la seconda sessione abbronzante.
- ▶ Dopo circa 5/10 giorni di ciclo, vi consigliamo di sospendere il trattamento per qualche tempo, in modo da far riposare la pelle.
- ▶ Circa un mese dopo il ciclo di sedute, la pelle avrà perso gran parte dell'abbronzatura. A questo punto potete iniziare un nuovo ciclo.
- ▶ Per mantenere l'abbronzatura non dovete sospendere il trattamento, ma continuare a sottoporvi a una o due sedute settimanali.
- ▶ Nel caso decidiate di sospendere il trattamento per qualche tempo o di continuare le sedute con una frequenza più bassa, fate sempre attenzione a non superare il numero massimo di ore per seduta consentite.
- ▶ Questo apparecchio vi consente di sottoporvi a un massimo di 19 ore di sessioni abbronzanti (= 1140 minuti) all'anno.

### Esempio

Immaginiamo che vi sottoponiate ad un ciclo di 10 giorni, con una sessione di 7 minuti il primo giorno e di 20 minuti nei nove giorni successivi. L'intero ciclo sarà quindi composto da  $(1 \times 7 \text{ minuti}) + (9 \times 20 \text{ minuti}) = 187 \text{ minuti}$ .

Ciò significa che potete sottoporvi a 6 cicli in un anno, composti da  $6 \times 187 \text{ minuti} = 1122 \text{ minuti}$

Naturalmente il numero massimo di ore si applica a ogni singola parte del corpo abbronzata (ad es. la parte posteriore e anteriore del corpo). Dalla tabella allegata risulta che la prima seduta di ciascun ciclo dovrebbe durare al massimo 7 minuti, indipendentemente dalla sensibilità della pelle.

- Se pensate che le sedute siano troppo lunghe per il vostro tipo di pelle (ad es. nel caso in cui la pelle risulti tirata o eccessivamente sensibile al termine della seduta), vi consigliamo di ridurre la durata della sessione, per esempio di 5 minuti.
- Per un'abbronzatura completa, fate ruotare gradualmente il corpo durante la sessione, in modo da esporre al raggio abbronzante anche i lati del corpo.

Durata della sessione UV per ciascuna parte del corpo	Per persone con pelle molto sensibile	Per persone con pelle normale	Per persone con pelle poco sensibile
1° seduta	7 minuti	7 minuti	7 minuti
intervallo di almeno 48 ore			
2° seduta	10 minuti	20 - 25 minuti	30 minuti*
3° seduta	10 minuti	20 - 25 minuti	30 minuti*
4° seduta	10 minuti	20 - 25 minuti	30 minuti*
5° seduta	10 minuti	20 - 25 minuti	30 minuti*
6° seduta	10 minuti	20 - 25 minuti	30 minuti*
7° seduta	10 minuti	20 - 25 minuti	30 minuti*
8° seduta	10 minuti	20 - 25 minuti	30 minuti*
9° seduta	10 minuti	20 - 25 minuti	30 minuti*
10° seduta	10 minuti	20 - 25 minuti	30 minuti*

\*) o di più, in base alla sensibilità della vostra pelle.

Se la vostra pelle risulta leggermente tirata dopo la seduta, potete applicare della crema idratante.

### Predisposizione dell'apparecchio

- ▶ L'apparecchio può essere trasportato facilmente nella posizione di trasporto. (fig. 2)  
Potete sollevare facilmente l'apparecchio facendovi aiutare da un'altra persona.
- ▶ Se dovete sollevarlo da soli, utilizzate le maniglie. (fig. 3)

**1** Per aprire l'apparecchio, spostate le parti scorrevoli in direzione della freccia. (fig. 4)

- 2** Sollevare la lampada e il supporto. (fig. 5)
  - 3** Ponete l'apparecchio abbronzante nella posizione indicata. (fig. 6)
  - 4** Ponete la lampada in posizione orizzontale. Per farlo, utilizzate la maniglia. (fig. 7)  
Sentirete degli scatti quando sposterete la lampada dalle posizioni fisse.
  - ▶ Al posto di utilizzare la procedura fase dopo fase, potete sollevare la lampada mediante la maniglia in un unico movimento. (fig. 8)
  - 5** Fate ruotare la lampada di 90°. (fig. 9)
  - 6** Posizionate la lampada accanto a un letto come indicato nella figura. (fig. 10)  
La distanza tra il filtro UV e la superficie di giacenza (ad es. il letto) non deve essere superiore a 85 cm.
  - 7** Allentate il blocco di regolazione dell'altezza facendo scorrere il collare lungo il supporto. Contemporaneamente sollevate la lampada all'altezza del letto (85 cm). (fig. 11)  
Bloccate la lampada in posizione mediante il collare.
  - ▶ Potete misurare la distanza tra la lampada e il letto estraendo la rollina metrica.
  - ▶ La rollina metrica si riavvolge automaticamente se spostate la linguetta rossa lateralmente.
- L'apparecchio è pronto all'uso.

### Modalità d'uso dell'apparecchio

- 1** Srotolate completamente il cavo di alimentazione.
- 2** Inserite la spina nella presa di corrente a muro.
  - Consultate la tabella delle istruzioni per l'uso e per le vostre note personali.
  - Indossate gli occhiali di protezione in dotazione.

Gli occhiali di protezione devono essere usati solo durante la sessione abbronzante con l'apparecchio Philips. Non dovete utilizzarli per altri scopi. Gli occhiali di protezione sono conformi alla classe II di protezione in base alla direttiva 89/686/EEC.
- 3** Programmate il timer con la durata appropriata per la sessione abbronzante. (fig. 12)
- 4** Stendetevi sotto la lampada.  
L'apparecchio abbronzante si spegnerà automaticamente una volta terminato il tempo programmato sul timer.
- ▶ Potete programmare il timer con un tempo massimo di 45 minuti a sessione.
- ▶ Durante l'ultimo minuto della sessione verrà emesso un segnale acustico.
- ▶ In questo frangente potrete reimpostare il timer per esporre l'altro lato del corpo ed evitare i 3 minuti di attesa necessari al raffreddamento delle lampade dopo lo spegnimento.

### Dopo la sessione abbronzante

- 1** Tenete traccia del numero di sessioni a cui vi siete sottoposti servendovi delle manopole memo; l'apparecchio è dotato di due manopole memo, una per ogni persona. (fig. 13)

### Pulizia

- 1** Prima di procedere alla pulizia, scollegate sempre la spina dalla presa di corrente e lasciate raffreddare l'apparecchio.
  - 2** Usate un panno umido per pulire la parte esterna dell'apparecchio.
  - 3** Pulire gli occhiali di protezione con un panno umido.
- Evitate il contatto diretto con l'acqua.
- 4** Non utilizzate sostanze abrasive o detersivi aggressivi.

Non usate liquidi abrasivi ad esempio pagliette, benzina o acetone per pulire l'apparecchio.

- ▶ Pulite la superficie esterna del filtro UV con un panno morbido inumidito di alcool metilico.

### Come riporre l'apparecchio

- 1** Lasciate asciugare l'apparecchio per 15 minuti prima di porlo in posizione di trasporto e conservarlo.  
Nel frattempo, potete riavvolgere il cavo e riporlo nella base dell'apparecchio.
- 2** Quando riponete l'apparecchio in posizione da trasporto, accertatevi che il cavo sia avvolto correttamente e che non si incastrino tra le parti cardine e l'apparecchio.
- 3** Allentate il blocco di regolazione dell'altezza facendo scorrere il collare lungo il supporto e contemporaneamente spingete il supporto verso il basso quindi, lasciate passare il collare. (fig. 14)
- 4** Fate ruotare la lampada di 90°. (fig. 15)
- 5** Sollevare leggermente la lampada con una mano e con l'altra sbloccatela spingendo verso il basso le due parti di scorrimento per lo sblocco. (fig. 16)
- 6** Tenete premute verso il basso le parti di scorrimento di sblocco con una mano e con l'altra ponete la lampada in senso verticale quindi, lasciate passare le parti di scorrimento di sblocco. (fig. 17)
- 7** Spostate verso il basso il supporto e la lampada con attenzione fino a porli nella base dell'apparecchio. (fig. 18)
- 8** Bloccate la lampada nella base spingendo le parti scorrevoli sulla base in direzione della freccia. (fig. 19)
- 9** Potete riporre l'apparecchio sotto al letto. (fig. 20)
- 10** Potete riporlo anche in un armadietto in posizione verticale. (fig. 21)

## Sostituzione

Dopo un certo periodo di utilizzo dell'apparecchio (con un uso normale in genere dopo alcuni anni), l'efficienza delle lampade inizierà a diminuire gradualmente. In questo caso, vi accorgete che la capacità abbronzante delle lampade risulterà minore. Sarà quindi necessario aumentare leggermente la durata delle sedute oppure sostituire le lampade abbronzanti.

Il filtro UV protegge dall'esposizione ai raggi UV nocivi. È pertanto necessario sostituire tempestivamente il filtro in presenza di danneggiamenti o rotture.

**Le lampade abbronzanti (HPA flexpower 400-600 Philips), il filtro UV e il cavo devono essere sostituiti esclusivamente presso un rivenditore o un centro assistenza Philips autorizzato da personale in possesso della competenza necessaria e dei pezzi di ricambio originali per eseguire il lavoro.**

## Tutela dell'ambiente

► Per contribuire alla tutela dell'ambiente, non smaltite l'apparecchio tra i rifiuti domestici ma consegnatelo a un centro di raccolta ufficiale. (fig. 22)

Le lampade dell'apparecchio contengono sostanze potenzialmente nocive per l'ambiente. Al momento dello smaltimento, non gettate le lampade insieme ai comuni rifiuti domestici ma consegnatele a un centro di raccolta ufficiale.

## Garanzia e assistenza

Se avete bisogno di assistenza o informazioni o in caso di problemi, visitate il nostro sito [www.philips.com](http://www.philips.com) oppure contattate il Centro Assistenza Clienti Philips del vostro Paese (per conoscere il numero di telefono consultate l'opuscolo della garanzia). Se nel vostro Paese non esiste un Centro Assistenza Clienti, rivolgetevi al vostro rivenditore Philips oppure contattate il Service Department of Philips Domestic Appliances and Personal Care BV.

## Limitazioni della garanzia

Le lampade abbronzanti non sono coperte dai termini previsti dalla garanzia internazionale.

## Risoluzione dei guasti

L'apparecchio non funziona correttamente perché non è stato installato o utilizzato seguendo le istruzioni. Nel caso intendiate risolvere il problema personalmente seguite i suggerimenti della sezione "Risoluzione dei problemi" riportati di seguito.

Problema	Soluzione
L'apparecchio non si accende	La lampada non è stata posizionata correttamente (si veda il capitolo "Predisposizione dell'apparecchio").
	La spina non è stata inserita correttamente nella presa di corrente a muro.
	È possibile che vi sia una mancanza di alimentazione. Verificate l'alimentazione con un altro apparecchio.
	Le lampade sono ancora troppo calde per continuare. Fatele raffreddare per 3 minuti.
L'apparecchio non si è raffreddato a sufficienza e si è spento automaticamente grazie alla funzione di protezione contro il surriscaldamento. Eliminate la causa del surriscaldamento (ad es. un asciugamano che blocca una o più ventole). Attendete 10 minuti e riaccendete l'apparecchio.	
Il fusibile interrompe l'alimentazione quando accendete l'apparecchio o durante l'utilizzo.	Controllate il fusibile del circuito a cui è collegato l'apparecchio abbronzante. Il tipo appropriato è un fusibile standard 16A o un fusibile automatico versione lenta. Dato il collegamento di numerose apparecchiature allo stesso circuito, il fusibile potrebbe anche danneggiarsi.
Scarsi risultati di abbronzatura	Non avete seguito il ciclo di abbronzatura più adatto al vostro tipo di pelle. Controllate la tabella "Sedute abbronzanti: quante volte e per quanto tempo?"
	La distanza tra le lampade e la superficie di giacenza è superiore a quella consigliata.
	Dopo un certo periodo di utilizzo, la capacità abbronzante dei filtri UV comincia a diminuire. Questo fenomeno risulterà evidente solo dopo alcuni anni. Per risolvere il problema, potete prolungare leggermente la durata delle sessioni oppure procedere alla sostituzione delle lampade.

## Inleiding

### De zon

De zon levert verschillende soorten energie: het zichtbare licht stelt ons in staat om te zien, het ultraviolette licht (UV) bruint onze huid en het infrarode licht (IR) in zonnestralen zorgt voor de warmte waarin we ons zo graag koesteren.

### Het bruiningsapparaat

Met dit bruiningsapparaat kunt u thuis bruin worden. De bruiningslampen geven zichtbaar licht, warmte en ultraviolet licht af, waardoor u het idee hebt in echt zonlicht te zonnebaden. Het speciale UV-filter laat alleen het soort licht door dat u nodig hebt om bruin te worden. De bruiningslampen stralen voldoende infrarood uit om u een comfortabele warmte te geven.

Een timer zorgt ervoor dat een sessie niet langer dan 45 minuten duurt, want net als bij de echte zon dient overmatige blootstelling te worden vermeden (zie hoofdstuk 'Bruinen en uw gezondheid').

## Algemene beschrijving (fig. 1)

- A** Wielen
- B** Netsnoer in opbergruimte
- C** Handgreep
- D** Timer
- E** Geheugenknoppen (voor twee personen)
- F** Schuifknoppen
- G** Standaard
- H** Vergrendelkraag voor hoogte-instelling
- I** Vergrendelkraag voor de kap
- J** Handgreep
- K** Ventilator (koeling)
- L** Kap
- M** UV-filter
- N** Bruiningslampen (type Philips HPA flexpower 400-600)
- O** Reflector
- P** Meetlint
- Q** Beschermbrillen (2 stuks)  
- (typenummer HB071/servicenummer 4822 690 80123)
- R** Voet
- S** Typeplaatje

## Belangrijk

Lees deze gebruiksaanwijzing zorgvuldig door voordat u het apparaat gaat gebruiken. Bewaar de gebruiksaanwijzing om deze indien nodig te kunnen raadplegen.

- ▶ Controleer of het voltage aangegeven op het apparaat overeenkomt met de netspanning in uw woning voordat u het apparaat aansluit.
- ▶ Het apparaat moet worden aangesloten op een groep die beveiligd is met een gewone zekering van 16A of een automatische trage zekering.
- ▶ Als het stopcontact dat wordt gebruikt om het apparaat van stroom te voorzien, slecht is aangesloten, wordt de stekker van het apparaat heet. Zorg ervoor dat u het apparaat aansluit op een goed aangesloten stopcontact.
- ▶ Indien het netsnoer beschadigd is, moet het worden vervangen door Philips, een door Philips geautoriseerd servicecentrum of personen met vergelijkbare kwalificaties om gevaar te voorkomen.
- ▶ Water en elektriciteit vormen een gevaarlijke combinatie! Gebruik dit apparaat daarom niet in een vochtige omgeving (bijv. in de badkamer of in de buurt van een douche of zwembad).
- ▶ Als u zojuist hebt gezwommen of een douche hebt genomen, droogt u zich dan goed af voordat u het apparaat gaat gebruiken.
- ▶ Zorg ervoor dat kinderen niet met het apparaat spelen.
- ▶ Haal na gebruik altijd de stekker uit het stopcontact.
- ▶ Laat het apparaat na gebruik ongeveer 15 minuten afkoelen voordat u het terugklapt in de transportstand en het opbergt.
- ▶ Verplaats het apparaat alleen in de transportstand.
- ▶ Zorg ervoor dat de ventilatieopeningen in de kap en de voet tijdens gebruik open blijven. Houd uw haar uit de buurt van de luchtinlaat van de kap.
- ▶ Het apparaat is voorzien van een automatische beveiliging tegen oververhitting. Als het apparaat onvoldoende wordt gekoeld (bijv. omdat de ventilatieopeningen zijn afgedekt), schakelt het apparaat automatisch uit. Als de oorzaak van de oververhitting is weggenomen en het apparaat is afgekoeld, schakelt het apparaat weer automatisch in.
- ▶ Het apparaat bevat scharnierende delen. Zorg ervoor dat uw vingers niet bekneld raken tussen deze delen.
- ▶ Houd u aan de aanbevolen bruiningstijden en het maximale aantal bruiningsuren (zie 'Bruinings sessies: hoe vaak en hoe lang?').
- ▶ Kies nooit een bruiningsafstand van minder dan 65 cm.
- ▶ Bruin een bepaald deel van het lichaam niet vaker dan één keer per dag. Vermijd diezelfde dag overmatige blootstelling aan natuurlijk zonlicht.
- ▶ Gebruik het bruiningsapparaat niet als u een ziekte hebt en/of medicijnen of cosmetica gebruikt die de gevoeligheid van uw huid vergroten. Wees extra voorzichtig als u overgevoelig bent voor UV-licht. Raadpleeg in geval van twijfel uw arts.
- ▶ Gebruik het bruiningsapparaat niet en raadpleeg uw arts wanneer binnen 48 uur na de eerste sessie onverwachte effecten zoals jeuk optreden.
- ▶ Dit apparaat mag niet worden gebruikt door mensen bij wie, bij blootstelling aan de zon, de huid verbrandt zonder bruin te worden, door mensen met een roodverbrande huid, door kinderen, of door mensen die lijden aan (of hebben geleden aan) huidkanker of die hier vatbaar voor zijn.
- ▶ Raadpleeg uw arts als er hardnekkige knobbels of zweren op uw huid ontstaan of als zich veranderingen voordoen in gepigmenteerde moedervlekken.
- ▶ Draag tijdens het bruinen altijd de beschermbril die bij het apparaat wordt geleverd om uw ogen tegen overmatige blootstelling te beschermen (zie ook hoofdstuk 'Bruinen en uw gezondheid').
- ▶ Verwijder crèmes, lippenstift en andere cosmetica geruime tijd voor de bruinings sessie van uw huid.
- ▶ Gebruik geen zonnebrandmiddelen of middelen die zijn bedoeld om het bruiningsproces te versnellen.
- ▶ Als uw huid strak aanvoelt na de bruinings sessie, kunt u een vochtinbrengende crème opbrengen.

- ▶ Gebruik het apparaat nooit als het UV-filter beschadigd is, kapot is of ontbreekt, of als de timer kapot is.
- ▶ Het UV-filter wordt heet tijdens de bruiningsessie. Raak het niet aan.
- ▶ Kleuren kunnen door blootstelling aan de zon verbleken. Hetzelfde effect kan zich voordoen als u dit apparaat gebruikt.
- ▶ Verwacht niet dat het apparaat een beter resultaat oplevert dan natuurlijk zonlicht.

**Elektromagnetische velden (EMV)**

Dit Philips-apparaat voldoet aan alle richtlijnen met betrekking tot elektromagnetische velden (EMV). Mits het apparaat op de juiste wijze en volgens de instructies in deze gebruiksaanwijzing wordt gebruikt, is het veilig te gebruiken volgens het nu beschikbare wetenschappelijke bewijs.

**Bruinen en uw gezondheid**

Net als bij natuurlijk zonlicht heeft het bruiningsproces bij gebruik van dit apparaat wat tijd nodig. De eerste resultaten worden pas na een aantal sessies zichtbaar (zie hoofdstuk 'Bruiningsessies: hoe vaak en hoe lang?').

Uw huid kan verbranden door overmatige blootstelling aan ultraviolet licht, of dat nu geproduceerd wordt door de zon of door een bruiningsapparaat.

Naast vele andere factoren, zoals overmatige blootstelling aan natuurlijk zonlicht, kan onjuist en overmatig gebruik van een bruiningsapparaat het risico van huid- en oogandoeningen vergroten. De mate waarin deze effecten optreden wordt aan de ene kant bepaald door de aard, de intensiteit en de duur van de blootstelling en aan de andere kant door de gevoeligheid van de betreffende persoon.

Hoe vaker de huid en de ogen worden blootgesteld aan UV-licht, hoe groter de kans op hoornvliesontsteking, bindvliesontsteking, beschadiging van het netvlies, staar, vroegtijdige veroudering van de huid en de ontwikkeling van huidkanker. Bepaalde medicijnen en cosmetica vergroten de gevoeligheid van de huid.

Het is daarom zeer belangrijk:

- dat u de instructies volgt in de hoofdstukken 'Belangrijk' en 'Bruiningsessies: hoe vaak en hoe lang?';
- dat de bruiningsafstand (afstand tussen het UV-filter en het lichaam) 65 cm is;
- dat u het maximale aantal bruiningsuren per jaar (19 uur ofwel 1140 minuten) niet overschrijdt;
- dat u tijdens het bruinen altijd de bijgeleverde beschermbril draagt.

**Bruiningsessies: hoe vaak en hoe lang?**

- ▶ Neem niet meer dan één bruiningsessie per dag, gedurende vijf tot tien dagen.
- ▶ Wacht na uw eerste bruiningsessie minstens 48 uur voordat u uw tweede bruiningsessie neemt.
- ▶ Het is raadzaam na deze kuur van vijf tot tien dagen uw huid een tijdje tot rust te laten komen.
- ▶ Ongeveer een maand na afloop van de kuur zal uw huid veel van zijn bruine kleur hebben verloren. U kunt dan met een nieuwe kuur beginnen.
- ▶ Als u uw bruine kleur wilt behouden, stop dan niet met de bruiningsessies na afloop van de kuur, maar ga door met één of twee sessies per week.
- ▶ Onthoud dat u het maximale aantal bruiningsuren niet mag overschrijden, of u er nu voor kiest een tijdje te stoppen met de bruiningsessies of doorgaat met minder sessies per week.
- ▶ Voor dit apparaat geldt een maximum van 19 bruiningsuren (= 1140 minuten) per jaar.

**Voorbeeld**

Stel dat u een 10-daagse bruiningskuur volgt, met een sessie van 7 minuten op de eerste dag en sessies van 20 minuten op de negen dagen die volgen.

De kuur duurt dan (1 x 7 minuten) + (9 x 20 minuten) = 187 minuten.

Dit betekent dat u 6 van deze kuren per jaar kunt volgen (6 x 187 minuten = 1122 minuten).

Het maximale aantal bruiningsuren geldt natuurlijk voor elk afzonderlijk deel of elke afzonderlijke zijde van het lichaam (bijv. de achter- en voorzijde van het lichaam).

Zoals staat aangegeven in de tabel dient de eerste sessie altijd 7 minuten te duren, onafhankelijk van de gevoeligheid van de huid.

- Als u denkt dat de sessies te lang voor u zijn (bijvoorbeeld omdat uw huid na de sessie trekt en pijnlijk aanvoelt), raden we u aan de duur van de sessie met bijv. 5 minuten te verkorten.
- Als u een mooie, egale bruine tint over uw hele lichaam wilt krijgen, draai dan uw lichaam tijdens de sessie af en toe naar links en naar rechts zodat ook de zijkant van het lichaam gelijkmatig worden blootgesteld.

Duur van de UV-sessie voor elk afzonderlijk deel van het lichaam	Voor mensen met een zeer gevoelige huid	Voor mensen met een normaal gevoelige huid	Voor mensen met een minder gevoelige huid
1e sessie	7 minuten	7 minuten	7 minuten
onderbreking van ten minste 48 uur			
2e sessie	10 minuten	20-25 minuten	30 minuten*
3e sessie	10 minuten	20-25 minuten	30 minuten*
4e sessie	10 minuten	20-25 minuten	30 minuten*
5e sessie	10 minuten	20-25 minuten	30 minuten*
6e sessie	10 minuten	20-25 minuten	30 minuten*
7e sessie	10 minuten	20-25 minuten	30 minuten*
8e sessie	10 minuten	20-25 minuten	30 minuten*
9e sessie	10 minuten	20-25 minuten	30 minuten*
10e sessie	10 minuten	20-25 minuten	30 minuten*

\*) of langer; afhankelijk van de gevoeligheid van uw huid.

Als uw huid wat strak aanvoelt na de bruiningsessie, kunt u een vochtinbrengende crème opbrengen.

### Klaarmaken voor gebruik

▶ Het apparaat kan eenvoudig in de transportstand worden gezet. (fig. 2)

Het apparaat is gemakkelijker te tillen als u dat samen met iemand anders doet.

▶ Gebruik de handgreep als u het apparaat alleen tilt. (fig. 3)

**1** Schuif de schuifknoppen in de richting van de pijl om het apparaat te openen. (fig. 4)

**2** Trek de standaard en de kap omhoog. (fig. 5)

**3** Zet het bruiningsapparaat in de aangegeven stand. (fig. 6)

**4** Trek de kap aan de handgreep in horizontale stand. (fig. 7)

U hoort klikjes als u de kap langs bepaalde vaste standen trekt.

▶ In plaats van deze stap-voor-stapmethode kunt u de kap ook in één beweging aan de handgreep omhoog trekken. (fig. 8)

**5** Draai de kap een kwartslag. (fig. 9)

**6** Zet het bruiningsapparaat naast een bed zoals aangegeven op het plaatje. (fig. 10)

De afstand tussen het UV-filter en het oppervlak waarop u gaat liggen (bijv. het bed) moet 85 cm zijn.

**7** Ontgrendel het hoogte-instelmechanisme door de kraag langs de standaard omlaag te duwen. Trek tegelijkertijd de kap omhoog tot een hoogte van 85 cm boven het bed. (fig. 11)

Laat de kraag los om de kap in deze stand te vergrendelen.

▶ U kunt de afstand tussen de kap en het bed controleren door het meetlint naar beneden te trekken.

▶ Het meetlint rolt weer automatisch op als u het rode lipje opzij beweegt.

Het apparaat is nu klaar voor gebruik.

### Het apparaat gebruiken

**1** Wikkel het netsnoer helemaal af.

**2** Steek de stekker in het stopcontact.

- Raadpleeg de tabel in deze gebruiksaanwijzing en uw eigen aantekeningen.

- Zet de bijgeleverde beschermbril op.

De beschermbril is uitsluitend bedoeld voor gebruik bij bruining met een bruiningsapparaat van Philips en dient niet te worden gebruikt voor andere doeleinden. De beschermbril voldoet aan beschermingsklasse II, overeenkomstig richtlijn 89/686/EEG.

**3** Stel de timer in op de juiste bruiningstijd voor de sessie. (fig. 12)

**4** Ga onder de kap liggen.

De timer schakelt het bruiningsapparaat automatisch uit nadat de ingestelde bruiningstijd is verstreken.

▶ De timer kan worden ingesteld op een maximale bruiningstijd van 45 minuten.

▶ Tijdens de laatste minuut van de sessie hoort u een piepgeluid.

▶ Tijdens deze minuut kunt u de timer opnieuw instellen om de andere zijde van uw lichaam te bruinen. Hierdoor vermijdt u de wachttijd van 3 minuten waarin de lampen moeten afkoelen als deze zijn uitgeschakeld.

### Na de bruiningssessie

**1** Houd het aantal sessies dat u hebt gehad bij met de geheugenknoppen. Het apparaat heeft twee geheugenknoppen voor twee gebruikers. (fig. 13)

### Schoonmaken

**1** Haal altijd de stekker uit het stopcontact en laat het apparaat afkoelen voordat u het gaat schoonmaken.

**2** Maak de buitenkant van het apparaat schoon met een vochtige doek.

**3** Maak de beschermbril schoon met een vochtige doek.

Voorkom dat er water in het apparaat loopt.

**4** Gebruik geen schuurmiddelen of schuursponsjes.

Gebruik nooit agressieve vloeistoffen zoals schuurmiddelen, benzine of aceton om het apparaat schoon te maken.

▶ U kunt de buitenkant van het UV-filter schoonmaken met een zachte doek die is besprenkeld met wat brandspiritus.

### Opbergen

**1** Laat het apparaat ongeveer 15 minuten afkoelen voordat u het in de transportstand zet en het opbergt.

Ondertussen kunt u het netsnoer oprollen en opbergen in de voet van het apparaat.

**2** Zorg ervoor dat het snoer goed is opgeborgen en niet klem komt te zitten tussen de scharnierende delen van het apparaat als u het in de transportstand zet.

**3** Ontgrendel het hoogte-instelmechanisme door de kraag langs de standaard omlaag te duwen. Duw tegelijkertijd de standaard naar beneden en laat dan de kraag los. (fig. 14)

**4** Draai de kap een kwartslag. (fig. 15)

**5** Til de kap met één hand een klein stukje op en ontgrendel de kap door met uw andere hand de twee schuifknoppen naar beneden te schuiven. (fig. 16)

**6** Houd de twee schuifknoppen met één hand naar beneden gedrukt en vouw de kap met uw andere hand in de verticale stand. Laat dan de schuifknoppen los. (fig. 17)

**7** Laat de standaard en de kap voorzichtig op de voet van het apparaat zakken. (fig. 18)

**8** Zet de kap vast op de voet door de schuifknoppen op de voet in de richting van de pijl te schuiven. (fig. 19)

**9** Het bruiningsapparaat kan worden opgeborgen onder een bed. (fig. 20)

**10** Het kan ook rechtop in een kast worden geplaatst. (fig. 21)

**Vervangen**

Het licht dat de bruiningslampen afgeven wordt in de loop der tijd minder fel (dit gebeurt bij normaal gebruik na enige jaren). U merkt dit doordat het bruiningsvermogen van het apparaat afneemt. U kunt dit probleem oplossen door een iets langere bruiningstijd in te stellen of door de bruiningslampen te laten vervangen.

Het UV-filter beschermt u tegen blootstelling aan schadelijk UV-licht. Het is dus belangrijk dat u een beschadigd of kapot filter direct laat vervangen.

**Laat de bruiningslampen (Philips HPA flexpower 400-600), het UV-filter en het snoer vervangen door een dealer of een door Philips geautoriseerd servicecentrum. Alleen daar heeft men de kennis en vaardigheden die hiervoor nodig zijn en beschikt men over de originele reserveonderdelen voor het apparaat.**

**Milieu**

► Gooi het apparaat aan het einde van zijn levensduur niet weg met het normale huisvuil, maar lever het in op een door de overheid aangewezen inzamelpunt om het te laten recyclen. Op die manier levert u een bijdrage aan een schonere leefomgeving. (fig. 22)

De lampen van dit apparaat bevatten stoffen die schadelijk kunnen zijn voor het milieu. Als u de lampen afdankt, doe ze dan niet bij het huisvuil, maar lever ze apart in bij een officieel aangewezen inzamelpunt.

**Garantie & service**

Als u informatie nodig hebt of als u een probleem hebt, bezoek dan de Philips-website ([www.philips.com](http://www.philips.com)), of neem contact op met het Philips Customer Care Centre in uw land (u vindt het telefoonnummer in het 'worldwide guarantee'-vouwblad). Als er geen Customer Care Centre in uw land is, ga dan naar uw Philips-dealer of neem contact op met de afdeling Service van Philips Domestic Appliances and Personal Care BV.

**Garantiebeperkingen**

De bruiningslampen vallen niet onder de internationale garantie.

**Problemen oplossen**

Het apparaat werkt mogelijk niet goed omdat het niet is geïnstalleerd of gebruikt volgens de instructies. U kunt het probleem in dat geval zelf oplossen aan de hand van onderstaande tips.

Probleem	Oplossing
Het apparaat gaat niet aan	De kap is niet rechtop gezet (zie hoofdstuk 'Klaarmaken voor gebruik'). De stekker zit niet goed in het stopcontact. Mogelijk is er een stroomstoring. U kunt dit controleren door een ander apparaat aan te sluiten. De lampen zijn nog te warm om te worden ingeschakeld. Laat ze eerst 3 minuten afkoelen.
De zekering slaat door bij het inschakelen of tijdens het gebruik van het bruiningsapparaat.	Het apparaat was niet voldoende afgekoeld en de oververhittingsbeveiliging heeft het apparaat automatisch uitgeschakeld. Neem de oorzaak van de oververhitting weg (bijv. een handdoek die een of meer ventilatieopeningen blokkeert). Wacht 10 minuten en schakel het apparaat dan opnieuw in.
Slechte bruiningsresultaten	Controleer de zekering van de stroomgroep waarop het bruiningsapparaat is aangesloten. Het juiste type zekering is een gewone zekering van 16A of een automatische trage zekering. De zekering kan ook zijn doorgeslagen omdat u te veel apparaten op deze groep hebt aangesloten. U volgt niet het bruiningsschema dat past bij uw huidtype. Raadpleeg de tabel in 'Bruiningsessies: hoe vaak en hoe lang?'. De afstand tussen de lampen en het oppervlak waarop u ligt is groter dan voorgeschreven. Als de lampen al lang in gebruik zijn, neemt de hoeveelheid UV-licht die wordt afgegeven af. Dit effect merkt u pas na enige jaren. U kunt dit probleem verhelpen door een langere bruiningstijd in te stellen of door de lampen te laten vervangen.

## Innledning

### Solen

Solen utstråler ulike typer energi. Synlig lys gjør at vi kan se, ultrafiolett lys (UV) gjør at vi blir brune, og infrarødt lys (IR) i sollyset gir varme.

### Solariet

Med dette solariet kan du sole deg komfortabelt hjemme. Lysrørene avgir synlig lys, varme og ultrafiolett lys og gir deg følelsen av å sole deg i ekte sollys. Det spesielle UV-filteret slipper kun gjennom tilstrekkelig lys til å få en fin brunfarge.

Lysrørene avgir nok infrarødt lys til å gjøre deg behagelig varm.

En timer sørger for at hver solingsøkt ikke varer lenger enn 45 minutter. Akkurat som med naturlig sollys er det viktig å unngå for mye sol (se avsnittet Soling og helse).

## Generell beskrivelse (fig. 1)

- A** Hjul
- B** Ledning i oppbevaringsrom
- C** Håndtak
- D** Timer
- E** Minneknapper (for to personer)
- F** Glidebrytere
- G** Stativ
- H** Låsekrage for høydejustering
- I** Låsekrage for lysrørenhet
- J** Håndtak
- K** Vifte (kjøling)
- L** Lysrørenhet
- M** UV-filter
- N** Lysrør (typen Philips HPA flexpower 400-600)
- O** Reflektor
- P** Målebånd
- Q** Beskyttelsesbriller (2 par)  
- (type nr. HB071/servicenr. 4822 690 80123)
- R** Sokkel
- S** Merkeplate

## Viktig

Les denne bruksanvisningen nøye før apparatet tas i bruk, og ta vare på den for senere referanse.

- ▶ **Kontroller at apparatet har samme spenning som strømmettet før du kobler det til.**
- ▶ **Apparatet må kobles til en krets som er beskyttet med en 16A standardsikring eller en automatsikring.**
- ▶ **Hvis veggkontakten som brukes til apparatet, har dårlig kontakt, blir støpselet på apparatet varmt. Kontroller at du setter støpselet i en veggkontakt som er ordentlig tilkoblet.**
- ▶ **Hvis ledningen er ødelagt, må den skiftes ut av Philips, et servicesenter godkjent av Philips eller liknende kvalifisert personell, slik at man unngår farlige situasjoner.**
- ▶ **Vann og elektrisitet er en farlig kombinasjon! Ikke bruk apparatet i fuktige omgivelser (f.eks. i badetrom eller i nærheten av en dusj eller et svømmebasseng).**
- ▶ **Etter en svømmetur eller en dusj bør du tørke godt av deg før du bruker apparatet.**
- ▶ **Pass på at barn ikke leker med apparatet.**
- ▶ **Koble alltid fra apparatet etter bruk.**
- ▶ **La apparatet avkjøles etter bruk i ca. 15 minutter før du slår det sammen og oppbevarer det.**
- ▶ **Du skal kun flytte på apparatet når det er sammenslått.**
- ▶ **Kontroller at ventilene i lysrørenheten og i baseenheten er åpne ved bruk. Hold håret borte fra luftinntaket i lysrørenheten.**
- ▶ **Apparatet har automatisk beskyttelse mot overoppheting. Hvis apparatet ikke får nok kjøling (f.eks. fordi ventilene er tildekket), slås apparatet av automatisk. Når årsaken til overopphetingen er fjernet og apparatet er avkjølt, slås apparatet på igjen automatisk.**
- ▶ **Apparatet har deler som er hengslet, så pass på at du ikke får fingrene i klem mellom disse delene.**
- ▶ **Ikke overskrid anbefalt solingstid eller maksimalt antall solingstimer (se Soling: hvor ofte og hvor lenge?).**
- ▶ **Ikke velg en solingsavstand som er mindre enn 65 cm.**
- ▶ **Ikke sol noen deler av kroppen mer enn én gang om dagen. Unngå overdreven utendørsoling samme dag.**
- ▶ **Ikke sol deg hvis du har en sykdom og/eller bruker medisiner eller kosmetikk som gjør huden mer ømfintlig. Vær spesielt forsiktig hvis du er overfølsom overfor UV-lys. Ta kontakt med legen hvis du er i tvil.**
- ▶ **Hvis det oppstår uventede virkninger som kløe innen 48 timer etter den første solingsøkten, bør du slutte å bruke solariet og ta kontakt med lege.**
- ▶ **Apparatet skal ikke brukes av personer som er solbrente eller har lett for å bli solbrente, av barn, eller av personer som har (eller har hatt) hudkreft eller som er disponert for hudkreft.**
- ▶ **Ta kontakt med lege hvis det oppstår klumper eller sår som ikke forsvinner, eller hvis føflekker endrer farge.**
- ▶ **Når du soler deg, skal du alltid bruke beskyttelsesbrillene som følger med apparatet, slik at du beskytter øynene mot overeksponering (se også avsnittet Soling og helse).**
- ▶ **Fjern eventuell krem, leppestift og annen kosmetikk i god tid før du bruker ansiktssolen.**
- ▶ **Ikke bruk solkrem eller selvbruningskrem.**
- ▶ **Hvis huden føles stram etter solingen, kan du bruke en fuktighetskrem.**
- ▶ **Ikke bruk apparatet når UV-filteret er ødelagt, skadd eller mangler, eller hvis timeren er ødelagt.**
- ▶ **UV-filteret blir varmt i løpet av solingsøkten. Ikke ta på det.**
- ▶ **Farger kan falme når de utsettes for sollys. Bruk av dette apparatet kan ha samme virkning.**
- ▶ **Ikke forvent at apparatet gir bedre resultater enn naturlig sollys.**

## Elektromagnetiske felt (EMF)

Dette Philips-apparatet overholder alle standarder som gjelder for elektromagnetiske felt (EMF). Hvis det håndteres riktig, og i samsvar med instruksjonene i denne veiledningen, er det trygt å bruke det ut fra den kunnskapen vi har per dags dato.



## Soling og helse

På samme måte som med naturlig sollys tar det litt tid å bli brun. Virkningen begynner ikke å vise seg før etter flere solingsøkter (se avsnittet Soling: hvor ofte og hvor lenge?).

Overeksponering for ultrafiolett lys (naturlig sollys eller kunstig lys fra solarier) kan forårsake solbrenthet.

I tillegg til mange andre faktorer, som overeksponering for naturlig sollys, kan overdreven og feil bruk av solarium øke risikoen for hud- og øye problemer. Graden av disse virkningene avhenger av formen, intensiteten og varigheten på eksponeringen, og følsomheten hos den aktuelle personen.

Jo mer huden og øynene eksponeres for UV-lys, jo større er risikoen for hornhinnebetennelse, øyekatar, skade på netthinnen, grå stær, for tidlig aldring av huden og utvikling av hudkreft. Enkelte legemidler og kosmetikkprodukter gjør huden mer følsom.

Derfor er det svært viktig

- at du følger instruksjonene i avsnittene Viktig og Soling: hvor ofte og hvor lenge?
- at avstanden under solingen (avstanden mellom UV-filteret og kroppen) er 65 cm.
- at du ikke overskrider maksimalt antall soltimer per år (dvs. 19 timer eller 1140 minutter)
- at du alltid har på deg beskyttelsesbrillene når du bruker apparatet

## Soling: hvor ofte og hvor lenge?

- ▶ Ikke bruk solarier mer enn én gang om dagen i en periode på fem til ti dager.
- ▶ La det gå minst 48 timer mellom den første og den andre solingsøkten.
- ▶ Etter denne innledende perioden på fem til ti dager anbefaler vi at du lar huden hvile en stund.
- ▶ Ca. én måned etter en solingsperiode vil huden ha mistet mye av brunfargen. Du kan da begynne å ta sol igjen.
- ▶ Hvis du vil holde brunfargen ved like, kan du fortsette å ta sol én eller to ganger i uken i stedet for å ta en pause.
- ▶ Uansett om du velger å ta en pause i solingen eller fortsetter å sole deg med lengre intervaller, må du alltid huske på at du ikke må overskride maksimalt antall soltimer.
- ▶ For dette apparatet er maksimalt antall soltimer 19 timer (= 1140 minutter) i året.

## Eksempel

Tenk deg at du har en 10-dagers periode med en 7-minutters solingsøkt den første dagen, og en 20-minutters solingsøkt de påfølgende ni dagene.

Hele serien vil da vare  $(1 \times 7 \text{ minutter}) + (9 \times 20 \text{ minutter}) = 187 \text{ minutter}$ .

Dette betyr at du kan ha 6 slike perioder i løpet av året, ettersom  $6 \times 187 \text{ minutter} = 1122 \text{ minutter}$ .

Det maksimale antall solingstimer gjelder selvfølgelig for hver enkelt del eller side av kroppen som soles (f.eks. baksiden og forsiden av kroppen).

Som vist i tabellen skal den første solingsøkten i en serie alltid vare i 7 minutter, uansett hudens følsomhet.

- Hvis du synes at øktene blir for lange (huden blir stram og øm etter solingen), anbefaler vi å redusere øktene med f.eks. 5 minutter.
- For en fin og jevn brunfarge bør du snu kroppen litt under økten slik at sidene av kroppen får mer sollys.

Varigheten av solingsøkten for hver del av kroppen	for personer med svært ømfintlig hud	for personer med normalt ømfintlig hud	for personer med mindre ømfintlig hud
Første økt	7 minutter	7 minutter	7 minutter
pause i minst 48 timer			
Andre økt	10 minutter	20–25 minutter	30 minutter*
Tredje økt	10 minutter	20–25 minutter	30 minutter*
Fjerde økt	10 minutter	20–25 minutter	30 minutter*
Femte økt	10 minutter	20–25 minutter	30 minutter*
Sjette økt	10 minutter	20–25 minutter	30 minutter*
Sjuende økt	10 minutter	20–25 minutter	30 minutter*
Åttende økt	10 minutter	20–25 minutter	30 minutter*
Niende økt	10 minutter	20–25 minutter	30 minutter*
Tiende økt	10 minutter	20–25 minutter	30 minutter*

\*) eller lenger, avhengig av hvor følsom huden din er.

Hvis huden føles stram etter solingen, kan du smøre deg med fuktighetskrem.

## Før bruk

- ▶ Apparatet kan lett flyttes når det er klappet sammen. (fig. 2)

Det er enklere å løfte apparatet hvis du får hjelp av en annen person.

- ▶ Hvis du må løfte apparatet på egenhånd, bør du bruke håndtaket. (fig. 3)

**1** Du åpner apparatet ved å bevege glidebryterne i pilens retning. (fig. 4)

**2** Trekk stativet og lysrørheten opp. (fig. 5)

**3** Plasser apparatet i angitt stilling. (fig. 6)

**4** Trekk lysrørheten opp i vannrett stilling. Gjør dette ved hjelp av håndtaket. (fig. 7)

Du hører et klikk når du beveger lysrørheten forbi visse faste stillinger.

- ▶ I stedet for å benytte trinn-for-trinn-metoden ovenfor, kan du også trekke lysrørheten opp etter håndtaket i én enkelt bevegelse. (fig. 8)

**5** Drei lysrørheten en kvart omdreining. (fig. 9)

**6** Plasser apparatet ved siden av sengen som vist i illustrasjonen. (fig. 10)

Avstanden mellom UV-filteret og overflaten der du ligger (f.eks. sengen), må være 85 cm.

- 7** Løsne høydejusteringslåsen ved å skyve kragen nedover stativet. Trekk samtidig lysrør enheten opp til en høyde på 85 cm over sengen. (fig. 11)

Slipp kragen for å låse lysrør enheten på plass.

- ▶ Du kan kontrollere avstanden mellom lysrør enheten og sengen ved å trekke ut målebåndet.
- ▶ Målebåndet rulles automatisk opp igjen hvis du skyver den røde tappen til siden.

Apparatet er nå klart til bruk.

## Bruke apparatet

- 1** Dra ledningen helt ut.

- 2** Sett støpselet inn i stikkkontakten.

- Tabellen i disse instruksjonene gir en oversikt over bruk og dine egne notater.
- Ta på deg beskyttelsesbrillene som følger med.

Beskyttelsesbrillene skal kun brukes når du soler deg med et Philips-solarium. De skal ikke brukes til andre ting. Beskyttelsesbrillene samsvarer med beskyttelsesklasse II i henhold til direktiv 89/686/EEC.

- 3** Still inn timeren på passende tid for solingsøkten. (fig. 12)

- 4** Legg deg under lysrør enheten.

Timeren slås automatisk av solarieret når solingstiden har utløpt.

- ▶ Timeren kan stilles inn på maksimalt 45 minutter.

- ▶ En pipelyd høres under det siste minuttet av solingsøkten.

- ▶ I løpet av dette minuttet kan du tilbake stille timeren for å sole den andre siden av kroppen. Ved å gjøre dette unngår du en 3-minutters ventetid mens lysrørene avkjøles etter at de er slått av.

## Etter solingsøkten

- 1** Hold oversikt over hvor mange solingsøkter du har hatt, ved hjelp av minneknappene. Apparatet har to minneknapper: én for hver person. (fig. 13)

## Vaske

- 1** Trekk alltid ut støpslet og la apparatet kjøles ned før rengjøring.

- 2** Rengjør utsiden av apparatet med en fuktig klut.

- 3** Rengjør beskyttelsesbrillene med en fuktig klut.

Ikke la det komme vann inn i apparatet.

- 4** Ikke bruk skuremidler eller skurebørster.

Ikke bruk sterke væsker som skuremidler, bensin eller aceton for å rengjøre apparatet.

- ▶ Du kan rengjøre utsiden av UV-filteret med en myk klut med litt metylsprit.

## Oppbevaring

- 1** La apparatet kjøles ned i 15 minutter før du klapper det sammen og oppbevarer det.

I mellomtiden kan du kveile sammen ledningen og legge den i baseenheten på apparatet.

- 2** Kontroller at ledningen oppbevares ordentlig og ikke blir sittende fast mellom de hengslede delene på apparatet når du klapper det sammen.

- 3** Løsne høydejusteringslåsen ved å skyve kragen nedover stativet. Skyv samtidig stativet nedover. Slipp deretter kragen. (fig. 14)

- 4** Drei lysrør enheten en kvart omdreining. (fig. 15)

- 5** Løft lysrør enheten litt med den ene hånden og lås den opp ved å skyve de to glidebryterne ned med den andre hånden. (fig. 16)

- 6** Hold de to glidebryterne nede med den ene hånden og slå sammen lysrør enheten i vertikal stilling med den andre hånden. Slipp deretter glidebryterne. (fig. 17)

- 7** Senk stativet og lysrør enheten forsiktig ned på apparatets baseenhet. (fig. 18)

- 8** Lås lysrør enheten på baseenheten ved å skyve glidebryterne på baseenheten i pilens retning. (fig. 19)

- 9** Solarieret kan oppbevares under sengen. (fig. 20)

- 10** Det kan også oppbevares i et skap i oppreist stilling. (fig. 21)

## Erstatning

Lys fra solariumsrørne blir noe svakere over tid (dvs. etter noen år med normal bruk). Når dette skjer, vil du merke at solingskapasiteten reduseres. Du kan da enten stille inn litt lengre solingstid eller skifte ut solariumsrørne.

UV-filteret beskytter mot eksponering for uønsket UV-lys. Det er derfor viktig å skifte ut skadde eller ødelagte filtre med én gang.

Sørg for at lysrørene (Philips HPA flexpower 400-600), UV-filteret og ledningen skiftes ut av en forhandler eller et servicesenter som er autorisert av Philips. Det er bare de som har kunnskapen og ferdighetene som trengs for denne jobben, samt de originale reservedelene til apparatet.

## Miljø

- ▶ Ikke kast apparatet som vanlig husholdningsavfall når det ikke kan brukes lenger. Lever det på en gjenvinningsstasjon. Ved å gjøre dette hjelper du til med å ta vare på miljøet. (fig. 22)

Lysrørene i dette apparatet inneholder stoffer som kan skade miljøet. Når du kaster lysrørene, må du passe på å holde dem atskilt fra det vanlige restavfallet og kaste dem på en godkjent gjenvinningsstasjon.

## Garanti og service

Hvis du trenger service eller informasjon, eller hvis du har et problem med produktet, kan du gå til nettsidene til Philips på [www.philips.com](http://www.philips.com). Du kan også ta kontakt med kundetjenesten til Philips der du bor (du finner telefonnummeret i garantiheftet). Hvis det ikke finnes en kundetjeneste i nærheten, kan du kontakte din lokale Philips-forhandler eller serviceavdelingen ved Philips Domestic Appliances and Personal Care BV.

## Begrensninger i garantien

Solariumsrørene dekkes ikke av den internasjonale garantien.

## Feilsøking

Dersom apparatet ikke er installert eller ikke blir brukt slik det er angitt i instruksjonene, kan det være at apparatet ikke fungerer som det skal. Hvis dette er tilfellet, kan du selv løse problemet ved å følge feilsøkingstipsene nedenfor.

Problem	Løsning
Apparatet starter ikke.	Lysrørhøden er ikke plassert i riktig stilling (se avsnittet Forberedelser før bruk.
	Støpselet er kanskje ikke satt ordentlig inn i veggkontakten.
	Det kan være et problem med strømmen. Kontroller dette ved å sette i kontakten til et annet apparat.
	Lysrørene er fremdeles for varme til å slås på. La dem kjøle ned i 3 minutter først.
Sikringen kutter strømmen når du slår på solariet eller mens du bruker det.	Apparatet var ikke tilstrekkelig avkjølt, og overopphetingsbeskyttelsen slo av apparatet automatisk. Fjern årsaken til overopphetingen (f.eks. fjern et håndkle som blokkerer en eller flere ventiler). Vent i 10 minutter og slå på apparatet igjen.
	Kontroller sikringen til kretsen som apparatet er koblet til. Den riktige sikringstypen er en 16A standardsikring eller en automatsikring. Det kan også hende at sikringen går hvis du har koblet for mange apparater til den samme kretsen.
Dårlig bruningsresultat.	Solingsopplegget passer ikke for din hudtype. Se tabellen under Soling: hvor ofte og hvor lenge?
	Avstanden mellom lysrørene og overflaten du ligger på, er større enn angitt.
	Når lysrørene er blitt brukt i lang tid, blir UV-strålene svakere. Dette er kun merkbart etter flere år. Du kan løse dette problemet ved å velge lengre solingstid eller skifte ut rørene.

## Introdução

### O sol

O sol fornece vários tipos de energia. A luz visível permite-nos ver; a luz ultravioleta (UV) bronzeia-nos e a luz infravermelha (IV) do sol dá-nos o calor sob o qual gostamos de nos espreguiçar.

### O aparelho para bronzear

Com este aparelho para bronzear, pode bronzear-se confortavelmente em casa. As lâmpadas para bronzear emitem luz visível, calor e luz ultravioleta, dando a sensação de se estar a bronzear com luz do sol. O filtro UV especial deixa passar apenas a luz necessária para se bronzear. As lâmpadas para bronzear emitem luz infravermelha suficiente para proporcionar um calor confortável.

Um temporizador garante que cada sessão não demora mais de 45 minutos. Tal como acontece com a luz natural do sol, deve evitar a exposição demasiado longa (consulte o capítulo 'O bronzeamento e a sua saúde').

## Descrição geral (fig. 1)

- A** Rodas
- B** Fio de alimentação no compartimento para arrumação do fio
- C** Pega
- D** Temporizador
- E** Botões de memória (para duas pessoas)
- F** Botões deslizantes
- G** Suporte
- H** Anel de bloqueio para ajuste da altura
- I** Anel de bloqueio para a lâmpada
- J** Pega
- K** Ventoinha (arrefecimento)
- L** Lâmpada
- M** Filtro UV
- N** Lâmpadas para bronzear (tipo Philips HPA Flexpower 400-600)
- O** Reflector
- P** Fita métrica
- Q** Óculos de protecção (2 pares)  
- (referência HB071/nº serviço 4822 690 80123)
- R** Base
- S** Placa da referência

## Importante

Leia estas instruções com atenção antes de utilizar o aparelho e guarde-as para uma eventual consulta futura.

- ▶ Verifique se a voltagem indicada no aparelho corresponde à voltagem eléctrica da sua casa, antes de ligar o aparelho.
- ▶ O aparelho deve estar ligado a um circuito protegido com um fusível padrão de 16 A ou um fusível automático de disparo lento.
- ▶ Se a tomada eléctrica utilizada para o aparelho não possuir ligações adequadas, a ficha do aparelho irá aquecer. Certifique-se de que liga o aparelho a uma tomada eléctrica adequada.
- ▶ Se o fio se estragar, deve ser substituído pela Philips, por um centro de assistência autorizado pela Philips ou por pessoal devidamente qualificado para se evitarem situações de perigo.
- ▶ A água e a electricidade formam uma combinação perigosa! Não utilize este aparelho em ambientes húmidos (p. ex. na casa de banho ou perto de chuveiros ou piscinas).
- ▶ Se esteve a nadar ou acabou de tomar um duche, seque-se muito bem antes de utilizar o aparelho.
- ▶ Certifique-se de que as crianças não brincam com o aparelho.
- ▶ Desligue sempre da corrente após cada utilização.
- ▶ Após a utilização, deixe o aparelho arrefecer durante aproximadamente 15 minutos antes de dobrá-lo para a posição de transporte e de guardá-lo.
- ▶ Movimente apenas o aparelho quando este se encontrar na posição de transporte.
- ▶ Certifique-se de que os orifícios de ventilação da lâmpada e da base permanecem abertos durante a utilização. Mantenha o seu cabelo afastado da entrada de ar da lâmpada.
- ▶ O aparelho foi equipado com uma protecção automática contra sobreaquecimento. Se o aparelho não estiver a ser refrigerado de forma adequada (por exemplo, se os orifícios de ventilação estiverem tapados), o aparelho desliga-se automaticamente. Assim que a causa de sobreaquecimento for eliminada e o aparelho arrefecer, o aparelho volta a ligar-se automaticamente.
- ▶ O aparelho contém peças articuladas. Tenha cuidado para não ficar com os dedos presos nestas peças.
- ▶ Não exceda o tempo e o número máximo de horas de bronzeamento recomendados (consulte a secção 'Sessões de bronzeamento: frequência e duração?').
- ▶ Não escolha uma distância de bronzeamento inferior a 65 cm.
- ▶ Não bronzeie uma parte específica do corpo mais do que uma vez por dia. No dia da sessão, evite uma exposição excessiva à luz solar natural.
- ▶ Não efectue uma sessão de bronzeamento se tiver uma doença e/ou se tomar medicação ou utilizar cosméticos que aumentem a sensibilidade da pele. Deve ter um cuidado extra se for hipersensível à luz UV. Em caso de dúvida, consulte o seu médico.
- ▶ Interrumpa a utilização do aparelho para bronzear e consulte o seu médico no caso de ocorrerem efeitos indesejados, como comichão, nas 48 horas seguintes à primeira sessão.
- ▶ O aparelho não deve ser utilizado por pessoas que se queimam em vez de se bronzear quando expostas ao sol, por pessoas que sofram de queimaduras solares, por crianças ou por pessoas que sofram (ou já tenham sofrido) de cancro da pele ou que tenham predisposição para o cancro da pele.
- ▶ Consulte o seu médico se lhe aparecerem inchaços ou feridas persistentes na pele, ou se houver alguma alteração em sinais/verrugas pigmentados.
- ▶ Durante a sessão de bronzeamento, utilize sempre os óculos de protecção fornecidos para evitar a exposição demasiado longa dos olhos (consulte também o capítulo 'O bronzeamento e a sua saúde').
- ▶ Remova cremes, batom e outros cosméticos, bastante tempo antes de se submeter a uma sessão.
- ▶ Não aplique protectores solares nem bronzeadores.
- ▶ Se sentir a pele tensa e seca após a sessão de bronzeamento, pode aplicar creme hidratante.

- ▶ Nunca utilize o aparelho se este não possuir filtro UV, se o filtro estiver danificado ou partido, ou se o temporizador estiver danificado.
- ▶ O filtro UV fica quente durante a sessão de bronzeamento. Não lhe toque.
- ▶ As cores podem desvanecer-se sob a influência do sol. O mesmo efeito pode ocorrer ao utilizar este aparelho.
- ▶ O aparelho não produz melhores resultados do que a luz solar natural.

### Campos Electromagnéticos - EMF (Electro Magnetic Fields)

Este aparelho Philips cumpre todas as normas relacionadas com campos electromagnéticos (EMF). Se for manuseado correctamente e de acordo com as instruções presentes no manual de instruções, o aparelho proporciona uma utilização segura, como demonstrado pelas provas científicas actualmente disponíveis.

### O bronzeamento e a sua saúde

Tal como acontece com a luz natural do sol, o processo de bronzeamento demora algum tempo. Os primeiros efeitos só se tornam visíveis após algumas sessões (consulte a secção "Sessões de bronzeamento: frequência e duração?").

A exposição demasiado longa à luz ultravioleta (luz natural do sol ou luz artificial do aparelho para bronzear) pode provocar queimaduras. Para além de muitos outros factores, como a exposição demasiado longa à luz natural do sol, a utilização incorrecta ou o abuso do aparelho para bronzear, podem aumentar o risco de problemas na pele e nos olhos. O grau de gravidade desses efeitos é determinado, por um lado, pela natureza, pela intensidade e pela duração da exposição e, por outro lado, pela sensibilidade da pessoa em questão.

Quanto maior for a exposição da pele e dos olhos à luz UV, maior é o risco de inflamações da córnea, conjuntivites, danos na retina, cataratas, envelhecimento prematuro da pele e desenvolvimento de tumores. Alguns medicamentos e cosméticos aumentam a sensibilidade da pele.

Por conseguinte, é extremamente importante:

- que siga as instruções do capítulo 'Importante' e da secção 'Sessões de bronzeamento: frequência e duração?';
- que a distância de bronzeamento (distância entre o filtro UV e o corpo) seja de 65 cm.
- que não se exceda o número máximo de horas de bronzeamento por ano (ou seja, 19 horas ou 1140 minutos);
- que utilize sempre os óculos de protecção fornecidos durante as sessões.

### Sessões de bronzeamento: frequência e duração?

- ▶ Não faça mais do que uma sessão de bronzeamento por dia, durante um período de cinco a dez dias.
- ▶ Faça um intervalo de, pelo menos, 48 horas entre a primeira e a segunda sessão.
- ▶ Após um período de sessões de 5 a 10 dias, é aconselhável que deixe descansar um pouco a sua pele.
- ▶ Aproximadamente um mês depois de um período de sessões, a pele já terá perdido a maior parte do bronzeado. Pode, então, recomeçar um novo período de tratamento.
- ▶ Se pretender conservar sempre o bronzeado, não interrompa as sessões depois de cada período de tratamento. Pode continuar, fazendo uma ou duas sessões por semana.
- ▶ Quer opte por não se bronzear durante algum tempo quer prefira continuar a bronzear-se com menos frequência, lembre-se sempre que não pode exceder o número máximo de horas de bronzeamento.
- ▶ Para este aparelho, o máximo é de 19 horas (= 1140 minutos) por ano.

### Exemplo

Suponha que está a seguir um tratamento de 10 dias, com uma sessão de 7 minutos no primeiro dia e sessões de 20 minutos nos nove dias seguintes.

O curso total demora, então,  $(1 \times 7 \text{ minutos}) + (9 \times 20 \text{ minutos}) = 187 \text{ minutos}$ .

Isto significa que pode fazer 6 períodos de tratamento num ano, pois  $6 \times 187 \text{ minutos} = 1122 \text{ minutos}$

Naturalmente, o número máximo de horas de bronzeamento aplica-se a cada parte ou lado do corpo que está a ser bronzeado (p.ex. a parte de trás e a parte da frente do corpo).

Na tabela podemos observar que a primeira sessão de um período de tratamento deve ter uma duração de 7 minutos, independentemente da sensibilidade da pele.

- Se considerar que as sessões são muito longas para si (p. ex., se sentir a pele tensa e mole depois da sessão), recomenda-se que reduza a duração das sessões para, p. ex., 5 minutos.
- Para um bronzeado bonito e uniforme, rode ligeiramente o corpo durante a sessão, de forma a que os lados do seu corpo estejam mais bem expostos à luz para bronzear.

Duração da sessão de UV para cada parte do corpo tratada	Para pessoas com pele muito sensível	Para pessoas com pele normal	Para pessoas com pele menos sensível
1.ª sessão	7 minutos	7 minutos	7 minutos
intervalo de pelo menos 48 horas			
2.ª sessão	10 minutos	20 - 25 minutos	30 minutos*
3.ª sessão	10 minutos	20 - 25 minutos	30 minutos*
4.ª sessão	10 minutos	20 - 25 minutos	30 minutos*
5.ª sessão	10 minutos	20 - 25 minutos	30 minutos*
6.ª sessão	10 minutos	20 - 25 minutos	30 minutos*
7.ª sessão	10 minutos	20 - 25 minutos	30 minutos*
8.ª sessão	10 minutos	20 - 25 minutos	30 minutos*
9.ª sessão	10 minutos	20 - 25 minutos	30 minutos*
10.ª sessão	10 minutos	20 - 25 minutos	30 minutos*

\*) ou mais, dependendo da sensibilidade da sua pele.

Se sentir a pele ligeiramente tensa e seca após o bronzeamento, pode aplicar creme hidratante.

### Preparação

- ▶ O aparelho pode ser movido facilmente na posição de transporte. (fig. 2)
- aparelho é mais fácil de levantar se o fizer juntamente com outra pessoa.
- ▶ Se tiver de levantar o aparelho sozinho, utilize a pega. (fig. 3)
- 1** Para abrir o aparelho, mova os botões deslizantes na direcção da seta. (fig. 4)
- 2** Puxe o suporte e a lâmpada para cima. (fig. 5)
- 3** Coloque o aparelho para bronzear na posição indicada. (fig. 6)
- 4** Puxe a lâmpada para cima para a colocar na posição horizontal. Utilize a pega para o fazer. (fig. 7)  
Irá ouvir "cliques" enquanto move a lâmpada ao longo de certas posições fixas.
- ▶ Em vez de utilizar o método passo-a-passo acima descrito, pode, com a pega, puxar a lâmpada para cima num único movimento. (fig. 8)
- 5** Rode a lâmpada um quarto de volta. (fig. 9)
- 6** Coloque o aparelho para bronzear ao lado de uma cama, como indicado na figura. (fig. 10)  
A distância entre o filtro UV e a superfície em que está deitado (p. ex. a cama) deve ser de 85 cm.
- 7** Desaperte o bloqueio de ajuste da altura, fazendo deslizar o anel ao longo do suporte. Ao mesmo tempo, puxe a lâmpada para cima até atingir uma altura de 85 cm acima da cama. (fig. 11)  
Liberte o anel para fixar a lâmpada na posição correcta.
- ▶ Pode verificar a distância entre a lâmpada e a cama utilizando a fita métrica.
- ▶ A fita métrica é recolhida automaticamente se mover a patilha vermelha para o lado.
- aparelho está agora pronto para ser utilizado.

### Utilização do aparelho

- 1** Desenrole completamente o fio de alimentação.
- 2** Ligue a ficha à tomada eléctrica.
  - Consulte a tabela nestas instruções de utilização e as suas próprias notas.
  - Coloque os óculos de protecção fornecidos.
 Os óculos de protecção devem apenas ser utilizados quando se bronzear com um aparelho para bronzear da Philips. Não devem ser utilizados para outros fins. Os óculos de protecção estão conformes à classe de protecção II de acordo com a directiva 89/686/CEE.
- 3** Regule o temporizador para o tempo apropriado da sessão de bronzamento. (fig. 12)
- 4** Deite-se por baixo da lâmpada.
  - temporizador desliga automaticamente o aparelho para bronzear quando o tempo de bronzamento definido terminar.
  - ▶ O temporizador pode ser regulado para um tempo de bronzamento máximo de 45 minutos.
  - ▶ Durante o último minuto da sessão, o aparelho emite um sinal sonoro.
  - ▶ Durante este minuto pode programar o temporizador para bronzear o outro lado do seu corpo. Ao fazê-lo, evita o tempo de espera de 3 minutos necessário ao arrefecimento das lâmpadas de bronzamento após estas terem sido desligadas.

#### Após a sessão de bronzamento

- 1** Mantenha um registo do número de sessões de bronzamento que efectuou com os botões de memória. O aparelho tem dois botões de memória: um para cada pessoa. (fig. 13)

### Limpeza

- 1** Antes de limpar o aparelho, desligue-o sempre da corrente e deixe-o arrefecer.
- 2** Limpe o exterior do aparelho com um pano húmido.
- 3** Limpe os óculos de protecção com um pano húmido.

Não permita a entrada de água no aparelho.

- 4** Não utilize agentes abrasivos ou esfregões.

Nunca utilize líquidos de limpeza abrasivos, como desengordurantes, petróleo ou acetona, para limpar o aparelho.

- ▶ Pode limpar o exterior do filtro UV com um pano macio borrifado com algumas gotas de álcool desnaturalado.

### Arrumação

- 1** Deixe o aparelho arrefecer durante 15 minutos antes de o colocar na posição de transporte e de o guardar.  
Entretanto, pode enrolar o fio e colocá-lo na base do aparelho.
- 2** Certifique-se de que o fio está guardado correctamente e que não fica preso entre as peças articuladas quando colocar o aparelho na posição de transporte.
- 3** Desaperte o bloqueio de ajuste da altura, fazendo deslizar o anel para baixo ao longo do suporte. Ao mesmo tempo, empurre o suporte para baixo. Depois, solte o anel. (fig. 14)
- 4** Rode a lâmpada um quarto de volta. (fig. 15)
- 5** Com uma mão, levante um pouco a lâmpada e, com a outra mão, liberte a lâmpada empurrando os dois botões de libertação. (fig. 16)
- 6** Com uma mão, mantenha os dois botões de libertação premidos e, com a outra mão, dobre a lâmpada para que fique na posição vertical. Depois, solte os botões de libertação. (fig. 17)
- 7** Baixe cuidadosamente o suporte e a lâmpada sobre a base do aparelho. (fig. 18)
- 8** Fixe a lâmpada na base, empurrando os botões deslizantes da base na direcção da seta. (fig. 19)
- 9** O aparelho para bronzear pode ser guardado por baixo de uma cama. (fig. 20)

**10** Pode também ser guardado num armário, na posição vertical. (fig. 21)

### Substituição

A luz emitida pelas lâmpadas para bronzear, vai perdendo o brilho com o tempo (ou seja, após alguns anos numa utilização normal). Quando isso acontecer, notará uma diminuição na capacidade de bronzear do aparelho. Este problema pode ser resolvido aumentando ligeiramente o tempo das sessões ou, então, procedendo à substituição das lâmpadas.

O filtro UV protege contra a exposição indesejada à luz UV. Por conseguinte, é importante que substitua imediatamente os filtros danificados ou partidos.

**As lâmpadas para bronzear (Philips HPA Flexpower 400-600), o filtro UV e o fio só devem ser substituídos por um revendedor ou centro de assistência autorizado pela Philips. Apenas eles possuem os conhecimentos e a experiência necessários para esse trabalho, bem como as peças de origem para o aparelho.**

### Ambiente

▶ **Não deite fora o aparelho junto com o lixo doméstico normal no final da sua vida útil, entregue-o num ponto de recolha oficial para reciclagem. Ao fazê-lo ajuda a preservar o ambiente. (fig. 22)**

As lâmpadas deste aparelho contêm substâncias que podem ser prejudiciais para o ambiente. Ao desfazer-se das lâmpadas, não as deite fora junto com o lixo doméstico normal. Entregue-as num ponto de recolha oficial.

### Garantia e assistência

Se precisar de assistência ou informações ou se tiver algum problema, visite o site da Philips em [www.philips.pt](http://www.philips.pt) ou contacte o Centro de Atendimento ao Cliente Philips do seu país (encontrará o número de telefone no folheto da garantia mundial). Se não existir um Centro de Atendimento ao Cliente no seu país, dirija-se ao distribuidor Philips local ou contacte o Departamento de Assistência da Philips Domestic Appliances and Personal Care BV.

### Restrições à garantia

As lâmpadas para bronzear não estão abrangidas pelos termos da garantia internacional.

### Resolução de problemas

O aparelho pode não funcionar correctamente por não ter sido instalado ou não estar a ser utilizado de acordo com as instruções. Nesse caso, pode resolver o problema seguindo as sugestões para a resolução de problemas que se encontram abaixo.

Problema	Solução
O aparelho não arranca.	A lâmpada não foi colocada na posição certa (consulte o capítulo 'Preparação').
	A ficha não foi introduzida correctamente na tomada eléctrica.
	Talvez tenha ocorrido uma falha de energia. Ligue outro aparelho à corrente para verificar.
	As lâmpadas ainda estão muito quentes. Primeiro, deixe-as arrefecer durante 3 minutos.
O aparelho não estava suficientemente refrigerado e a protecção contra sobreaquecimento desligou automaticamente o aparelho. Elimine a causa de sobreaquecimento (p. ex. uma toalha que está a bloquear um ou mais orifícios de ventilação). Aguarde 10 minutos e volte a ligar o aparelho.	
O fusível corta a energia ao ligar o aparelho para bronzear ou durante a utilização do mesmo.	Verifique o fusível do circuito ao qual o aparelho para bronzear está ligado. O tipo correcto de fusível é um fusível padrão de 16 A ou um fusível automático de disparo lento. O fusível também pode disparar se estiverem ligados demasiados aparelhos ao mesmo circuito.
Os resultados não satisfazem.	Não está a seguir um programa de bronzear adequado para o seu tipo de pele. Verifique a tabela em 'Sessões de bronzear: frequência e duração?'.
	A distância entre as lâmpadas e a superfície em que está deitado é superior à recomendada.
	Ao fim de algum tempo de utilização das lâmpadas, a luz UV emitida diminui. Este efeito só se torna perceptível passados alguns anos. Este problema pode ser resolvido seleccionando um tempo para bronzear mais longo ou procedendo à substituição das lâmpadas.

## Introduktion

### Solen

Solen avger olika typer av energi. Synligt ljus gör att vi kan se, ultraviolett (UV) ljus gör oss solbrända och infrarött (IR) ljus förser oss med den värme som vi njuter av.

### Solariet

Med det här solariet kan du sola bekvämt hemma. Solarielamporna utstrålar synligt ljus, värme och ultraviolett ljus. Det känns som om du solar i äkta solljus. Det särskilda UV-filtret släpper bara igenom det ljus som krävs för att du ska bli solbränd.

Solarielamporna utstrålar tillräckligt mycket infrarött ljus för att du ska bli behagligt varm.

En timer ser till att varje solningstillfälle inte varar längre än 45 minuter. Precis som med naturligt solljus måste du undvika att utsätta dig för mycket (se kapitlet Solning och din hälsa).

## Allmän beskrivning (Bild 1)

- A Hjul
- B Nätsladd i förvaringsutrymme
- C Handtag
- D Timer
- E Minnesknappar (för två personer)
- F Reglage
- G Ställning
- H Låsring för höjjustering
- I Låsring för lampenhet
- J Handtag
- K Fläkt (kylande)
- L Lampenhet
- M UV-filter
- N Solarielampor (modell Philips HPA flexpower 400-600)
- O Reflektor
- P Måttband
- Q Skyddsglasögon (2 par)  
- (modellnummer HB071/servicenummer 4822 690 80123)
- R Basenhet
- S Märkplåt

## Viktigt

Läs användningsinstruktionerna noga innan du använder apparaten, och spara dem ifall du behöver dem igen.

- ▶ Kontrollera att den nätspänning som anges på apparaten motsvarar nätspänningen i ditt hem innan du ansluter apparaten.
- ▶ Apparaten måste anslutas till en strömkrets som skyddas med en 16 A-standardsäkring eller en trög automatisk säkring.
- ▶ Om vägguttaget som försörjer apparaten med ström har dålig anslutning blir kontakten på apparaten varm. Se till att du ansluter apparaten till ett vägguttag med god anslutning.
- ▶ Om nätsladden är skadad måste den bytas ut av Philips, ett av Philips auktoriserat serviceombud eller en lika kvalificerad tekniker för att undvika fara.
- ▶ Vatten och elektricitet är en farlig kombination! Använd inte apparaten i våta miljöer (t.ex. i badrummet eller i närheten av en dusch eller simbassäng).
- ▶ Om du precis har simmat eller duschat ska du torka dig noggrant innan du använder solariet.
- ▶ Se till att barn inte leker med apparaten.
- ▶ Dra alltid ut nätsladden efter användning.
- ▶ Låt apparaten svalna i cirka 15 minuter innan du viker ihop den till transportläget och ställer undan den.
- ▶ Flytta bara apparaten när den är i transportläget.
- ▶ Se till att ventilationshålen i lamp- och basenheten är öppna under användning. Håll håret borta från lampenhetens luftintag.
- ▶ Apparaten är utrustad med ett automatiskt överhettningsskydd. Om apparaten inte kyls ned ordentligt (t.ex. för att ventilationshålen är övertäckta) slås apparaten av automatiskt. När orsaken till överhettningen är eliminerad och apparaten har kylts ned slås den på igen automatiskt.
- ▶ Apparaten har delar som är försedda med gångjärn. Var försiktig så att fingrarna inte fastnar mellan dessa delar.
- ▶ Överskrid inte den rekommenderade solningstiden och det maximala antalet solningstimmar (se Solningstillfällen: hur ofta och hur länge?).
- ▶ Solningsavståndet måste vara minst 65 cm.
- ▶ Sola inte en viss del av kroppen mer än en gång om dagen. Utsätt dig inte för överdriven exponering av naturligt solljus samma dag som du använder solariet.
- ▶ Använd inte solariet om du är sjuk och/eller tar medicin eller använder kosmetika som ökar hudens känslighet. Var extra försiktig om du är överkänslig för UV-ljus. Tala med din läkare om du är tveksam.
- ▶ Sluta använda solariet och rådfråga din läkare om oväntade reaktioner, t.ex. klåda, uppstår inom 48 timmar efter det första solningstillfället.
- ▶ Solariet ska inte användas av personer som lätt bränner sig i solen, av personer som redan bränt sig i solen, av barn eller av personer som har eller nyligen har haft hudcancer eller som har anlag för hudcancer.
- ▶ Rådfråga din läkare om bestående knölar eller sår uppstår på huden eller om pigmentfläckar förändras.
- ▶ Använd alltid skyddsglasögonen som medföljer apparaten när du solar, så att ögonen skyddas mot överexponering (se även kapitlet Solning och din hälsa).
- ▶ Ta bort krämer, läppstift och andra skönhetsprodukter i god tid innan du solar.
- ▶ Använd inte solskyddsmedel eller produkter som stimulerar solbränna.
- ▶ Om huden känns stram när du har solat kan du använda en fuktighetsbevarande kräm.
- ▶ Använd aldrig apparaten om UV-filtret är skadat, trasigt eller saknas eller om timern inte fungerar.
- ▶ UV-filtret blir varmt när du solar. Rör inte vid det.
- ▶ Färger kan blekna i solen, och samma sak kan hända när du använder solariet.
- ▶ Förvänta dig inte att uppnå bättre resultat med solariet än när du solar utomhus.



## Elektromagnetiska fält (EMF)

Den här apparaten från Philips uppfyller alla standarder för elektromagnetiska fält (EMF). Om apparaten hanteras på rätt sätt och i enlighet med instruktionerna i den här bruksanvisningen är den säker att använda enligt de vetenskapliga belägg som finns i dagsläget.

### Solning och din hälsa

Precis som när du solar utomhus tar det tid innan du blir brun. Effekterna av solningen syns först efter att du solat ett par gånger (se kapitlet Solningstillfällen: hur ofta och hur länge?).

Om du utsätter dig för mycket ultraviolett ljus (naturligt solljus eller konstgjort ljus från solariet) kan du bränna dig.

Förutom många andra faktorer, som för mycket solljus, kan felaktig och överdriven användning av solariet ge hud- och ögonskador. Skadornas omfattning beror på vilken typ av ljus personen i fråga utsätts för, hur intensivt och hur länge samt hur känslig personen är.

Ju mer huden och ögonen utsätts för UV-ljus, desto större blir risken för hornhinneinflammation, bindhinneinflammation, skador på näthinnan, grå starr, för tidigt åldrad hud och uppkomst av hudtumörer. Vissa mediciner och skönhetsprodukter kan göra huden extra känslig.

Därför är det mycket viktigt:

- att du följer instruktionerna i kapitlet Viktigt och Solningstillfällen: hur ofta och hur länge?
- att solningsavståndet (avståndet mellan UV-filtret och kroppen) är 65 cm.
- att du inte överskrider det maximala antalet solningstimmar per år (dvs. 19 timmar eller 1 140 minuter)
- att du alltid använder de medföljande skyddsglasögonen när du solar.

### Solningstillfällen: hur ofta och hur länge?

- ▶ Sola inte mer än ett pass om dagen, under en period på fem till tio dagar.
- ▶ Låt det gå minst 48 timmar mellan det första och det andra passet.
- ▶ Efter den här perioden på fem till tio dagar rekommenderar vi att du låter din hud vila ett tag.
- ▶ Ungefär en månad efter en solningsperiod har huden förlorat det mesta av solbrännan. Du kan då påbörja en ny period.
- ▶ Om du vill behålla solbrännan slutar du inte efter en period utan fortsätter att sola en eller två gånger i veckan.
- ▶ Oavsett om du väljer att låta bli att sola ett tag eller om du fortsätter att sola vid färre tillfällen, så bör du komma ihåg att du inte ska överskrida det maximala antalet solningstimmar.
- ▶ För den här apparaten är det maximala antalet 19 solningstimmar (= 1140 minuter) om året.

### Exempel

Anta att du solar under en tiodagarsperiod och att du solar i sju minuter den första dagen och i 20 minuter under resterande nio dagar.

Hela perioden omfattar då  $(1 \times 7 \text{ minuter}) + (9 \times 20 \text{ minuter}) = 187 \text{ minuter}$ .

Det innebär att du kan sola i sex sådana perioder under ett år; eftersom  $6 \times 187 \text{ minuter} = 1122 \text{ minuter}$ .

Det maximala antalet solningstimmar gäller förstas varje del eller sida av kroppen som solas (t.ex. bak- och framsidan).

Som du ser i tabellen ska det första tillfället i en solningsperiod alltid vara sju minuter; oavsett hudens känslighet.

- Om du tycker att solningstiderna är för långa (t.ex. om huden känns stram och känslig) bör du minska tiden med exempelvis fem minuter.
- För en vacker solbränna över hela kroppen bör du vrida lite på dig under solningen så att kroppens sidor blir bättre exponerade för solarieljust.

UV-tillfällets längd för varje del av kroppen	För personer med mycket känslig hud	För personer med normalkänslig hud	För personer med mindre känslig hud
1:a tillfället	7 minuter	7 minuter	7 minuter
minst 48 timmars uppehåll			
2:a tillfället	10 minuter	20–25 minuter	30 minuter*
3:e tillfället	10 minuter	20–25 minuter	30 minuter*
4:e tillfället	10 minuter	20–25 minuter	30 minuter*
5:e tillfället	10 minuter	20–25 minuter	30 minuter*
6:e tillfället	10 minuter	20–25 minuter	30 minuter*
7:e tillfället	10 minuter	20–25 minuter	30 minuter*
8:e tillfället	10 minuter	20–25 minuter	30 minuter*
9:e tillfället	10 minuter	20–25 minuter	30 minuter*
10:e tillfället	10 minuter	20–25 minuter	30 minuter*

\*) eller längre, beroende på hur känslig hud du har.

Om huden stramar lite efter solningen kan du använda en fuktighetsbevarande kräm.

### Förberedelser inför användning

- ▶ Du kan enkelt flytta apparaten när den är i transportläget. (Bild 2)

Det är enklare att lyfta apparaten om du gör det tillsammans med en annan person.

- ▶ Använd handtaget om du måste lyfta apparaten ensam. (Bild 3)

- 1 Skjut reglagen i pilens riktning när du ska öppna apparaten. (Bild 4)

- 2 Dra upp ställningen och lampenheten. (Bild 5)

- 3 Ställ solariet i det läge som anges. (Bild 6)

- 4 Dra upp lampenheten till horisontellt läge med hjälp av handtaget. (Bild 7)

Du hör klickljud när du flyttar lampenheten förbi vissa fasta lägen.

- ▶ Istället för att använda steg för steg-metoden ovan kan du även dra upp lampenheten i handtaget i en enda rörelse. (Bild 8)

- 5 Vrid lampenheten ett kvarts varv. (Bild 9)

**6** Ställ solariet bredvid en säng enligt bilden. (Bild 10)

Avståndet mellan UV-filtret och ytan som du ligger på (t.ex. en säng) måste vara 85 cm.

**7** Lossa höjjusteringslåset genom att dra ringen nedför ställningen. Dra samtidigt upp lampenheten till en höjd av 85 cm över sängen. (Bild 11)

Släpp ringen så låses lampenheten på plats.

- ▶ Du kan kontrollera avståndet mellan lampenheten och sängen genom att dra ut måttbandet.
- ▶ Måttbandet rullas upp automatiskt om du flyttar den röda fliken åt sidan.

Apparaten är nu klar att använda.

**Använda apparaten****1** Linda ut nätsladden helt och hållet.**2** Sätt i stickkontakten i vägguttaget.

- Läs tabellen i de här användarinstruktionerna och dina egna anteckningar.
- Ta på dig de medföljande skyddsglasögonen.

Skyddsglasögonen bör endast användas när du solar i ett Philips-solarium. De bör inte användas till andra ändamål. Skyddsglasögonen uppfyller kraven för skyddsklass II enligt direktiv 89/686/EEG.

**3** Ställ in timern på rätt tid för solningen. (Bild 12)**4** Lägg dig under lampenheten.

Timern slår av solariet automatiskt när den inställda solningstiden har gått.

- ▶ Timern kan ställas in på maximalt 45 minuter.
- ▶ Under den sista minuten av solningen hör du ett pip ljud.
- ▶ Under den här minuten kan du återställa timern så att du kan sola andra sidan av kroppen. Om du gör det slipper du väntetiden på tre minuter som krävs för att lamporna ska svalna när de har slagits av.

**Efter solningen****1** Håll reda på hur många gånger du har solat med hjälp av minnesknapparna. Apparaten har två minnesknappar: en för varje person. (Bild 13)**Rengöring****1** Dra alltid ur nätsladden och låt solariet svalna innan du rengör det.**2** Rengör apparatens utsida med en fuktig trasa.**3** Rengör skyddsglasögonen med en fuktig trasa.

Låt inte vatten komma in i apparaten.

**4** Använd inte slipande rengöringsmedel eller skursvampar.

Använd aldrig slipande vätskor som slipmedel, bensin eller aceton till att rengöra apparaten.

- ▶ Du kan rengöra UV-filtrets utsida med en mjuk trasa som baddats i lite träsprit.

**Förvaring****1** Låt apparaten svalna i 15 minuter innan du viker ihop den till transportläget och ställer undan den.

Under tiden kan du linda ihop sladden och lägga den i apparatens basenhet.

**2** Se till att sladden förvaras på rätt sätt och inte fastnar mellan de gångjärnsförsedda delarna av apparaten när du viker ihop apparaten till transportläget.**3** Lossa höjjusteringslocket genom att dra ringen nedför ställningen. Tryck samtidigt ned ställningen och släpp sedan ringen. (Bild 14)**4** Vrid lampenheten ett kvarts varv. (Bild 15)**5** Lyft upp lampenheten en aning med ena handen och lås upp den genom att trycka ned de två reglagen med andra handen. (Bild 16)**6** Håll ned reglagen med ena handen och vik lampenheten till vertikalt läge med andra handen. Släpp sedan reglagen. (Bild 17)**7** Sänk försiktigt ned ställningen och lampenheten mot basenheten. (Bild 18)**8** Lås fast lampenheten på basenheten genom att skjuta reglagen på basenheten i pilens riktning. (Bild 19)**9** Solariet kan förvaras under en säng. (Bild 20)**10** Det kan även förvaras stående i ett skåp. (Bild 21)**Byten**

Solarielampornas effektivitet avtar med tiden (dvs. efter några år vid normal användning). När det sker märker du att solariets effekt minskar. Du kan då antingen sola lite längre vid varje tillfälle eller byta ut lamporna.

UV-filtret skyddar mot exponering för oönskat UV-ljus. Därför är det viktigt att du byter ut filtret direkt om det är skadat eller trasigt.

**Byt ut solarielamporna (Philips HPA flexpower 400-600), UV-filtret och sladden hos en återförsäljare eller ett av Philips auktoriserade serviceombud. Det är bara de som har den nödvändiga kunskapen och originalreservdelar för solariet.**

**Miljön****▶ Kasta inte apparaten i hushållssoporna när den är förbrukad. Lämna in den för återvinning vid en officiell återvinningsstation, så hjälper du till att skydda miljön. (Bild 22)**

Apparatens lampor innehåller ämnen som kan skada miljön. När du kasserar lamporna ska du inte kasta dem i de vanliga hushållssoporna utan lämna in dem på en återvinningsstation.

## Garanti och service

Om du behöver service eller information eller har problem med apparaten kan du besöka Philips webbplats på [www.philips.com](http://www.philips.com) eller kontakta Philips kundtjänstcenter i ditt land (du hittar telefonnumret i garantibroschyren). Om det inte finns något kundtjänstcenter i ditt land vänder du dig till din lokala Philips-återförsäljare eller kontaktar serviceavdelningen på Philips Domestic Appliances and Personal Care BV.

## Garantibegränsningar

Solarielamporna omfattas inte av de internationella garantivillkoren.

## Felsökning

Apparaten kanske inte fungerar ordentligt eftersom den inte har installerats eller inte används i enlighet med instruktionerna. I så fall kan du lösa problemet själv genom att läsa felsökningstipsen nedan.

Problem	Lösning
Apparaten startar inte.	Lampenheten har inte ställts i rätt läge (se kapitlet Förberedelser inför användning).
	Kontakten har inte satts i ordentligt i vägguttaget.
	Det kan vara strömbrott. Kontrollera genom att ansluta en annan apparat.
	Lamporna är fortfarande för varma för att tändas. Låt dem svalna i tre minuter först.
	Apparaten kyls inte ned ordentligt och överhettningsskyddet gjorde att apparaten stängdes av automatiskt. Ta bort orsaken till överhettningen (t.ex. en handduk som blockerar ett eller flera ventilationshål). Vänta i tio minuter och slå sedan på apparaten igen.
Säkring bryter strömmen när du slår på solariet eller under användning.	Kontrollera säkringen för strömkretsen som solariet är anslutet till. Rätt säkringstyp är en 16 A-standardsäkring eller en trög automatisk säkring. Säkringen kan också gå om du har anslutit för många apparater till samma strömkrets.
Dåligt solningsresultat.	Du följer inte det solningsschema som är lämpligt för din hudtyp. Läs tabellen i Solningstillfällen: hur ofta och hur länge?
	Avståndet mellan lamporna och ytan som du ligger på är längre än rekommenderat.
	När solarielamporna har använts under lång tid minskar andelen UV-ljus som utstrålas. Detta märks först efter flera års användning. Du kan då antingen sola lite längre vid varje tillfälle eller byta ut lamporna.

**Giriş****Güneş**

Güneş farklı tiplerde enerji sağlar. Görünür ışık görmemizi sağlarken, ultraviyole (UV) ışık bronzluk verir ve güneş ışınları içerisindeki kızılötesi (IR) ışık, altında uzanıp güneşlendiğimiz ısının kaynağıdır.

**Bronzlaşma cihazı**

Bu bronzlaşma cihazıyla, evinizde konforlu bir şekilde bronzlaşabilirsiniz. Bronzlaşma lambaları görünür ışık, ısı ve ultraviyole ışın yayar ve gerçek güneş ışığıyla bronzlaşmışınız gibi bir görüntü verir. Özel UV filtre sadece bronzlaşmak için gerekli ışığın geçmesine izin verir.

Bronzlaşma lambaları, uygun bir sıcaklık sağlamak için yeterli seviyede kızılötesi ışın yayar.

Zamanlayıcı sayesinde oturumlar 45 dakikadan uzun sürmez. Doğal güneş ışığı için söz konusu olan şekilde, ışınlarla aşırı derecede maruz kalmaktan sakınılması gerekir (bkz. 'Bronzlaşma ve sağlığını').

**Genel açıklamalar (Şek. 1)**

- A Tekerlekler
- B Saklama bölmesindeki elektrik kablosu
- C Sap
- D Zamanlayıcı
- E Hafıza düğmeleri (iki kişi için)
- F Sürgüler
- G Stand
- H Yükseklik ayarı için kilitleme halkası
- I Lamba ünitesi için kilitleme halkası
- J Sap
- K Fan (soğutma)
- L Lamba ünitesi
- M UV filtre
- N Bronzlaşma lambaları (Philips HPA flexpower 400-600 tipi)
- O Yansıtıcı
- P Ölçüm bandı
- Q Koruyucu gözlükler (2 adet)  
- (tip no. HB071/servis no. 4822 690 80123)
- R Tabanlık
- S Tip plakası

**Önemli**

Lütfen cihazı kullanmadan önce verilen talimatları okuyun. İleride başvurmak için bu talimatları saklayın.

- ▶ Cihazınızı fişe takmadan önce cihazın üzerinde belirtilen voltajın evinizdeki şebeke voltajıyla uygun olduğunu kontrol ediniz.
- ▶ Cihaz, 16A standart sigorta veya geç atan otomatik sigortayla korunan bir devreye bağlanmalıdır.
- ▶ Cihaza güç vermek için kullanılan prizden bağlantıları sorunluysa, cihazın fişi ısınır. Cihazı bağlantılarında sorun olmayan bir prize taktığınızdan emin olun.
- ▶ Cihazın elektrik kordonu herhangi bir şekilde zarar görmüşse, Philips tarafından, yetkili Philips servisleri tarafından ya da benzer şekilde onaylanmış kişiler tarafından değiştirilmelidir.
- ▶ Su ve elektrik tehlikeli bir birleşimdir. Dolayısı ile cihazı kesinlikle ıslak mekanlarda (banyoda, duş veya havuz kenarında gibi) kullanmayın.
- ▶ Eğer yüzdüyseniz veya henüz yeni duş aldıysanız, cihazı kullanmadan önce kendinizi iyice kurulayın.
- ▶ Çocukların cihazla oynamalarına izin vermeyin.
- ▶ Kullanım sonrasında, cihazı her zaman prizden çekin.
- ▶ Kullanıldıktan sonra, cihazı taşınmaya hazır hale getirmeden ve saklamadan önce yaklaşık 15 dakika soğumaya bırakın.
- ▶ Cihazı sadece taşınmaya hazır halde taşıyın.
- ▶ Lamba ünitesi ve taban üzerindeki havalandırma deliklerinin kullanım sırasında açık olduğundan emin olun. Saçınızı lamba ünitesinin hava girişine yaklaştırmayın.
- ▶ Cihazın aşırı ısınmaya karşı otomatik koruması vardır. Cihaz yeterli seviyede soğutulmazsa (örneğin, havalandırma delikleri kapalıysa), cihaz otomatik olarak kapanacaktır. Aşırı ısınmanın neden giderildikten ve cihaz soğuduktan sonra, cihaz otomatik olarak açılacaktır.
- ▶ Cihazın menteşeli parçaları bulunmaktadır. Bundan dolayı, parmaklarınızın bu parçalara sıkışmaması için dikkatli olun.
- ▶ Önerilen bronzlaşma seans sürelerini ve maksimum bronzlaşma seans sayısını aşmayın (bkz. 'Bronzlaşma: ne sıklıkta ve ne kadar süreyle?').
- ▶ 65 cm'den kısa bronzlaşma mesafesi seçmeyin.
- ▶ Vücudunuzun herhangi bir kısmını günde birden fazla bronzlaşmaya tabi tutmayın. Aynı gün içinde doğal güneş ışığına uzun süreli maruz kalmaktan sakının.
- ▶ Cildinizin hassasiyetini artıran bir hastalığınız varsa ve/veya ilaç ya da kozmetik ürünleri kullanıyorsanız, bronzlaşma seansına dahil olmayın. UV ışınlarına karşı aşırı duyarlıysanız, çok daha dikkatli olmanız gerekir. Şüphe halinde doktorunuza başvurun.
- ▶ İlk seanstan sonra 48 saat içinde kaşınma gibi beklenmedik etkiler görülürse, bronzlaşma cihazını kullanmayın ve doktorunuza başvurun.
- ▶ Bu cihaz, güneşe çıktıklarında bronzlaşmadan güneş yanığı olabilen kişiler, güneş yanığı olmuş kişiler, çocuklar veya cilt kanseri olan (veya önceden olan) kişiler tarafından veya cilt kanserine yakalanabilecek kişilerce kullanılmamalıdır.
- ▶ Cilt üzerinde kalıcı yumrular ya da yaralar oluşursa veya benlerinizde değişiklik olursa doktorunuza başvurun.
- ▶ Bronzlaşma sırasında gözlerinizin aşırı maruz kalmaması, cihazla birlikte verilen koruyucu gözlüğü kullanın (ayrıca bkz. 'Bronzlaşma ve sağlığını' bölümü).
- ▶ Bronzlaşma seansından yeterince önce yüzünüzdeki krem, ruj ve diğer kozmetikleri silin.
- ▶ Güneş kremleri ya da bronzlaşma hızlandırıcıları kullanmayın.
- ▶ Eğer bronzlaşma seansından sonra cildinizde gerginlik hissederseniz, cildinize nemlendirici bir krem sürebilirsiniz.
- ▶ UV filtre hasarlı veya kırık ya da yoksa veya zamanlayıcı çalışmıyorsa cihazı kullanmayın.
- ▶ UV filtre bronzlaşma seansı sırasında ısınır. Dokunmayın.
- ▶ Renkler güneşin etkisiyle solabilir. Aynı etki cihazı kullanırken de oluşabilir.
- ▶ Cihazın, doğal güneş ışığından daha iyi sonuç vermesini beklemeyin.

## Elektromanyetik alanlar (EMF)

Bu Philips cihazı elektromanyetik alanlarla (EMF) ilgili tüm standartlarla uyumludur. Bu cihaz, gereği gibi ve bu kılavuzdaki talimatlara uygun şekilde kullanıldığında, bugünün bilimsel verilerine göre kullanımı güvenlidir.

### Bronzlaşma ve sağlığınız

Doğal güneş ışığında olduğu gibi, bronzlaşma işlemi biraz zaman alacaktır. İlk etki, sadece bir kaç seans sonrasında gözle görülür olacaktır (Bkz. 'Bronzlaşma seansları: ne sıklıkta ve ne kadar süreyle?').

UV ışığına (Doğal güneş ışığı veya bronzlaşma cihazından gelen suni ışık) aşırı maruz kalmak güneş yanığına sebep olabilir.

Bunun yanı sıra, doğal güneş ışığına aşırı maruz kalmak, cihazın yanlış ve aşırı kullanımı gibi diğer bir çok etken, cilt ve göz problemi risklerini artırabilir. Bu etkilerin oluşum dereceleri, maruz kalınma şekline, şiddetine ve süresine göre değiştiği gibi, kişinin hassasiyetiyle de ilgilidir.

Cilt ve gözler UV ışığına daha çok maruz bırakıldıkça, keratit, konjunktiva iltihabı, retina bozukluğu, katarakt, erken cilt yaşlanması ve cilt tümörleri oluşma riski artar. Bazı ilaçlar ve kozmetikler derinin hassasiyetini artırır:

Bu yüzden, aşağıdaki hususlar oldukça önemlidir:

- 'Önemli' ve 'Bronzlaşma seansları: ne sıklıkta ve ne kadar süreyle?' bölümlerindeki talimatlara uyun;
- bronzlaşma mesafesi (UV filtre ve vücut arasındaki mesafe) 65 cm olmalıdır.
- bir yıl içinde maksimum bronzlaşma seans saati (örn. 19 saat veya 1140 dakika) aşılmamalıdır;
- bronzlaşma esnasında, verilen gözlükler her zaman takılmalıdır.

### Bronzlaşma seansları: ne sıklıkta ve ne kadar süreyle?

- ▶ Beş ile on günlük bir süre boyunca, günde birden fazla bronzlaşma seansı uygulamayın.
- ▶ Birinci ve ikinci seans arasında en az 48 saat bulunmalıdır.
- ▶ Bu 5 ile 10 günlük sürenin ardından cildinizi bir süre dinlendirmenizi öneririz.
- ▶ Uygulamadan yaklaşık bir ay sonra, cildiniz bronzluğunu yitirecektir. Yeni bir uygulamaya başlayabilirsiniz.
- ▶ Bronzluğunuzu korumak istiyorsanız, uygulamayı durdurmayın ancak haftada bir veya iki kez uygulamaya devam edin.
- ▶ Bronzlaşmaya bir süre ara verseniz veya düşük frekansta bronzlaşma uygulasanız dahi, maksimum bronzlaşma süresini aşmamanız gerektiğini aklınızdan çıkarmayın.
- ▶ Bu cihaz için maksimum bronzlaşma süresi, yılda 19 saattir (=1140 dakika).

### Örnek

İlk gün 7 dakika, kalan her 9 günde 20 dakika olmak üzere 10 günlük bronzlaşma seansı uyguladığınızı varsayalım.

Tüm uygulama (1 x 7 dakika) + (9 x 20 dakika) = 187 dakika sürer.

Bu, 6 x 187 dakika = 1122 dakika olacağından, yılda 6 seans uygulayabileceğiniz anlamına gelir.

Maksimum bronzlaşma saati, vücudun her bölgesi için uygulanabilecek bronzlaşan vücut bölgesine göre değişiklik gösterir (örneğin, sırt ve vücudun ön kısmı).

Tabloda gösterildiği gibi, bronzlaşma seansının ilk seansı cildin hassasiyetine bakılmaksızın, her zaman 7 dakika sürmelidir.

- Eğer seansların sizin için çok uzun olduğunu düşünüyorsanız (örn. cildiniz seans sonrasında gerginleşiyor ve hassaslaşıyorsa), seans sürelerini örneğin 5 dakikaya azaltmanızı öneririz.
- Güzel görünen komple bronzlaşma için, vücudunuzu hafifçe çevirin; böylece bronzlaştırıcı ışık vücudunuzun yan kısımlarına daha iyi nüfuz eder.

Vücudun her kısmı için UV seans süresi	Çok hassas ciltli kişiler için	Normal hassas ciltli kişiler için	Az hassas ciltli kişiler için
1. seans	7 dakika	7 dakika	7 dakika
en az 48 saatlik ara			
2. seans	10 dakika	20 - 25 dakika	30 dakika*
3. seans	10 dakika	20 - 25 dakika	30 dakika*
4. seans	10 dakika	20 - 25 dakika	30 dakika*
5. seans	10 dakika	20 - 25 dakika	30 dakika*
6. seans	10 dakika	20 - 25 dakika	30 dakika*
7. seans	10 dakika	20 - 25 dakika	30 dakika*
8. seans	10 dakika	20 - 25 dakika	30 dakika*
9. seans	10 dakika	20 - 25 dakika	30 dakika*
10. seans	10 dakika	20 - 25 dakika	30 dakika*

\*) veya cildinizin hassasiyetine bağlı olarak daha uzun.

Bronzlaşma seansı sonrasında cildinizde gerginlik hissederseniz, cildinize nemlendirici bir krem sürebilirsiniz.

### Cihazın kullanıma hazırlanması

▶ Cihaz, taşınmaya hazır haldeyken kolayca taşınabilir. (Şek. 2)

Başka birisinden yardım alırsanız, cihazı kaldırmak daha kolaydır.

▶ Cihazı tek başınıza kaldırmamız gerekiyorsa, tutacağı kullanın. (Şek. 3)

1 Cihazı açmak için, sürgüleri ok yönünde hareket ettirin. (Şek. 4)

2 Kaideyi ve lamba ünitesini yukarı doğru çekin. (Şek. 5)

3 Bronzlaşma cihazını gösterilen konuma getirin. (Şek. 6)

4 Lamba ünitesini yatay konuma getirin. Bunu gerçekleştirmek için, tutacağı kullanın. (Şek. 7)

Lamba ünitesini belirli konumlara getirdiğinizde, ses duyarsınız.

▶ Yukarıda açıklanan yöntemi adım adım uygulamak yerine, lamba ünitesini tutacağından çekerek tek bir hareketle de çıkarabilirsiniz. (Şek. 8)

**5** Lamba ünitesini çeyrek tur çevirin. (Şek. 9)

**6** Şekilde gösterildiği gibi, bronzlaşma cihazını bir yatağın yanına yerleştirin. (Şek. 10)  
UV filtre ve uzandığınız yüzey (örneğin, yatak), arasındaki mesafe 85 cm olmalıdır.

**7** Halkayı kaideye doğru kaydırarak yükseklik ayarlamaya kilidini gevşetin. Bu esnada, lamba ünitesini yataktan 85 cm yukarıya yerleştirin. (Şek. 11)

Lamba ünitesini kilitlemek için halkayı serbest bırakın.

► Lamba ünitesi ve yatak arasındaki mesafeyi, ölçüm bandıyla ölçebilirsiniz.

► Kırmızı etiketi yanlara çekerseniz, ölçüm bandı otomatik olarak sarılır.

Cihaz, artık kullanıma hazırdır.

## Cihazın Kullanımı

**1** Elektrik kordonunu tamamen açın.

**2** Fişi prize takınız.

- Kullanım talimatları tablosuna ve kendi notlarınıza göz atın.

- Verilen koruyucu gözlükleri takın.

Philips bronzlaşma cihazıyla bronzlaşırken, koruyucu gözlükler takılmalıdır. Gözlükler, diğer amaçlar için kullanılmamalıdır. Koruyucu gözlükler; 89/686/EEC yönergesi koruma sınıfı II ile uyumludur.

**3** Zamanlayıcıyı, bronzlaşma seansı için uygun bir süreye ayarlayın. (Şek. 12)

**4** Lamba ünitesinin altına uzanın.

Bronzlaşma süresi dolduğunda, zamanlayıcı bronzlaşma cihazını otomatik olarak kapatır.

► Zamanlayıcı, en fazla 45 dakika bronzlaşma süresi için ayarlanabilir.

► Bronzlaşma seansının son dakikasında, bir sinyal sesi duyacaksınız.

► Bu bir dakika içinde, vücudunuzun diğer tarafını bronzlaştırmak için zamanlayıcıyı sıfırlayabilirsiniz. Bu şekilde, bronzlaşma lambalarının kapatıldıktan sonra soğuması için gerekli 3 dakikalık süresini beklememiş olursunuz.

## Bronzlaşma seansından sonra

**1** Hafıza düğmelerini kullanarak, ne kadar seans uyguladığınızı takip edin. Cihazın, her biri bir kişi için olmak üzere iki hafıza düğmesi vardır. (Şek. 13)

## Temizleme

**1** Cihazı temizlemeye başlamadan önce, fişini prizden çekin ve soğumaya bırakın.

**2** Cihazın dış tarafını nemli bir bezle temizleyin.

**3** Koruyucu gözlükleri nemli bir bezle temizleyin.

Cihaza su girmemesini sağlayın.

**4** Temizlik ürünleri veya ovalama bezleri kullanmayın.

Cihazı temizlemek için deterjan, benzin veya aseton gibi aşındırıcı sıvılar kullanmayın.

► UV filtrenin dış kısmını metil alkollü yumuşak bir bezle silebilirsiniz.

## Saklama

**1** Taşınmaya hazır hale getirmeden ve saklamadan önce, cihazı 15 dakika soğumaya bırakın.

Bu arada, kabloyu sarabilir ve cihazın tabanına koyabilirsiniz.

**2** Cihazı taşınmaya hazır hale getirirken, kablonun doğru şekilde muhafaza edildiğinden ve menteşeli parçalar arasında sıkışmamasına dikkat edin.

**3** Halkayı kaideye doğru kaydırarak yükseklik ayarlamaya kilidini gevşetin. Bu esnada, kaideyi aşağıya doğru bastırın. Ardından, halkayı bırakın. (Şek. 14)

**4** Lamba ünitesini çeyrek tur çevirin. (Şek. 15)

**5** Bir elinizle lamba ünitesini hafifçe kaldırın ve diğer elinizle iki kilit açma sürgüsünü ittirerek kilidini açın. (Şek. 16)

**6** İki kilit açma sürgüsünü bir elinizle aşağıda tutun ve diğer elinizle lambayı dikey konumda olacak şekilde katlayın. Ardından, kilit açma sürgülerini serbest bırakın. (Şek. 17)

**7** Kaideyi ve lamba ünitesini cihazın tabanına doğru dikkatlice indirin. (Şek. 18)

**8** Tabandaki sürgüleri ok yönünde ittirerek lamba ünitesini tabana kilitleyin. (Şek. 19)

**9** Bronzlaşma ünitesi, yatağın altında muhafaza edilebilir. (Şek. 20)

**10** Ayrıca, dik olarak bir dolapta da muhafaza edilebilir. (Şek. 21)

## Değiştirme

Bronzlaştırmacı lambalar tarafından yayılan ışık zamanla parlaklığını kaybeder (örn. normal kullanımda birkaç yıl sonra). Bu olduğunda, cihazın bronzlaştırmacı kapasitesinde bir azalma farkedebilirsiniz. Bu sorunu daha uzun bronzlaşma süreleri ayarlayarak veya bronzlaştırmacı lambaları değiştirilerek çözebilirsiniz.

UV filtresi istenmeyen UV ışınlarına maruz kalmanızı engeller. Dolayısıyla hasar görmüş veya kirlenmiş filtrenin hemen değiştirilmesi gerekmektedir.

**Bronzlaşma lambalarının (Philips HPA flexpower 400-600), UV filtrenin ve kablonun Philips yetkili satıcısı veya servis merkezi tarafından değiştirilmesini sağlayın. Sadece bu kişiler bu işlem için gerekli bilgi, uzmanlık ve cihazın yedek parçalarına sahiptir.**

## Çevre

► Kullanım ömrü sonunda cihazı normal evsel atıklarınızla birlikte atmayın; bunun yerine, geri dönüşüm için resmi yetkililere verin. Bu sayede çevre korumasına yardımcı olursunuz. (Şek. 22)

Cihazın lambası, doğaya zarar verebilecek maddeler içerir. Lambaları atacağınız zaman, normal ev atıklarıyla birlikte atmayın ve resmi toplama noktasına teslim edin.

## Garanti ve Servis

Servise ya da daha fazla bilgiye ihtiyaç duyarsanız veya bir problem yaşarsanız, lütfen Philips Web sitesini [www.philips.com.tr](http://www.philips.com.tr) adresinden ziyaret edin veya ülkenizde bulunan Philips Müşteri Danışma Merkezi ile iletişime geçin (dünya genelindeki telefon numaraları verilen garanti belgeleri içerisinde bulabilirsiniz). Eğer ülkenizde Müşteri Danışma Merkezi yoksa, yerel Philips yetkilinize başvurun veya Philips Ev Aletleri ve Kişisel Bakım BV Servis Departmanı ile iletişime geçin.

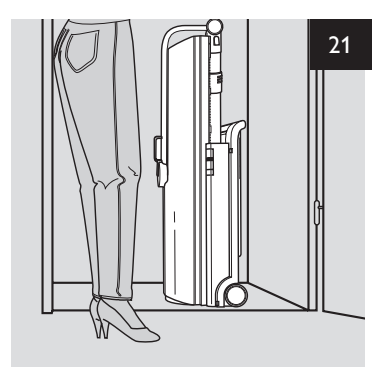
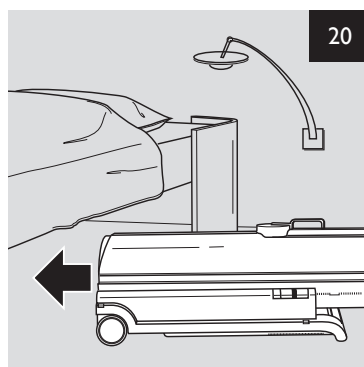
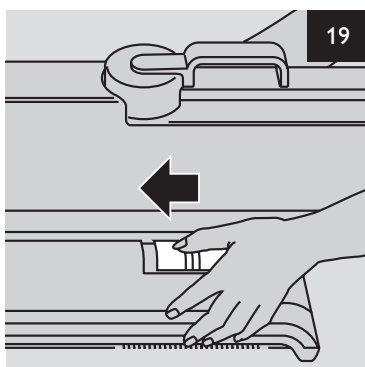
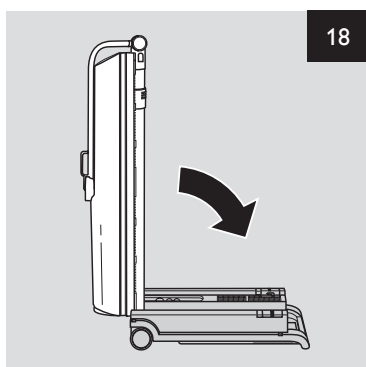
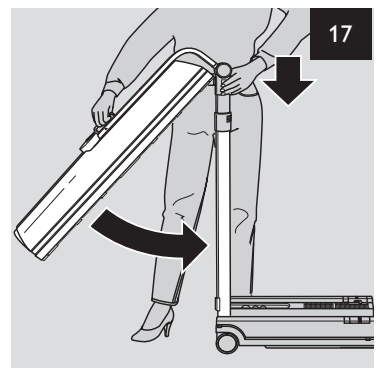
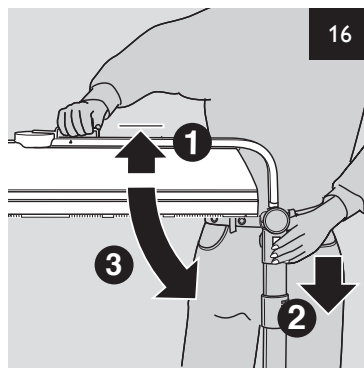
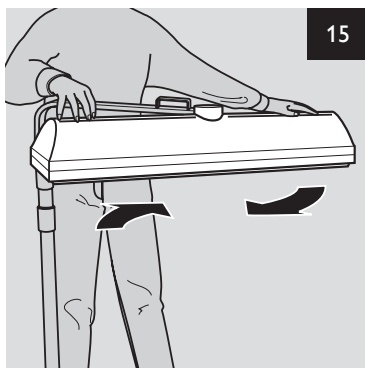
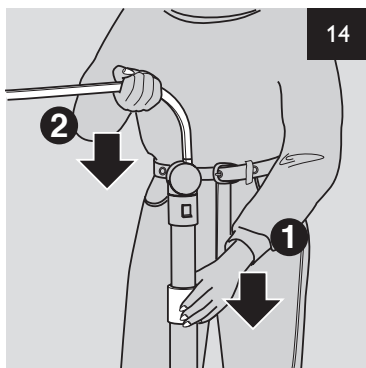
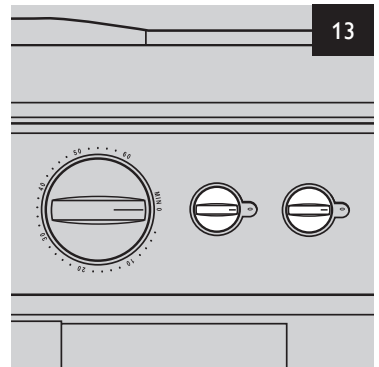
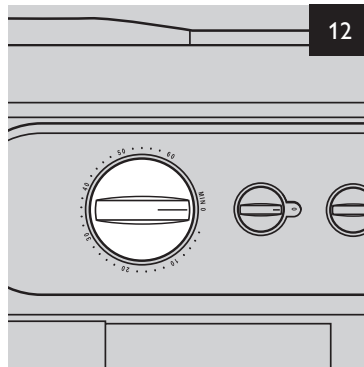
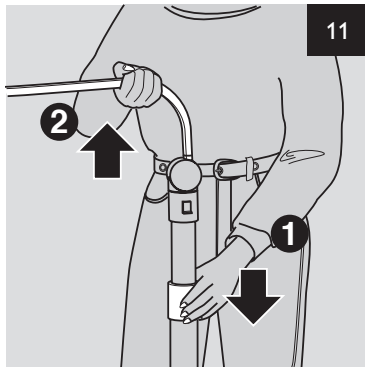
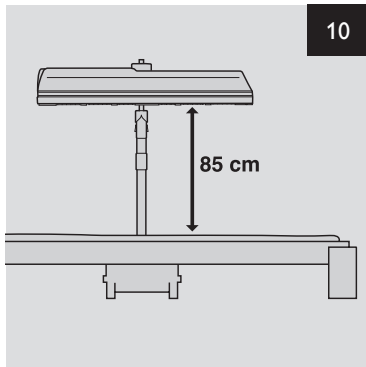
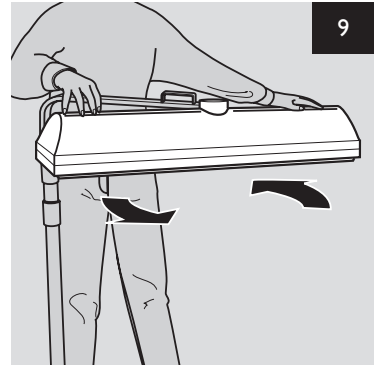
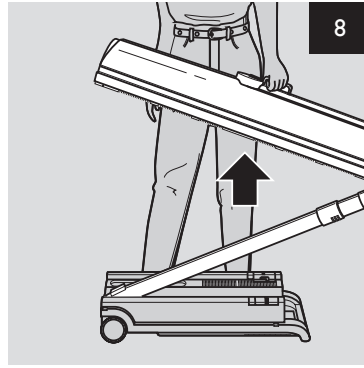
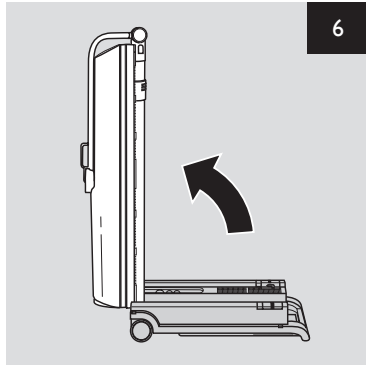
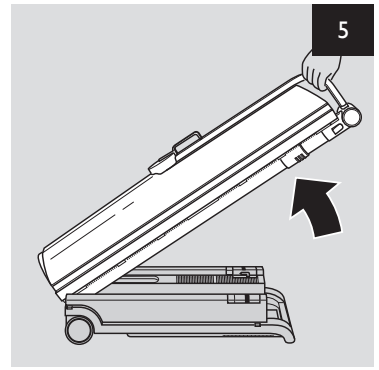
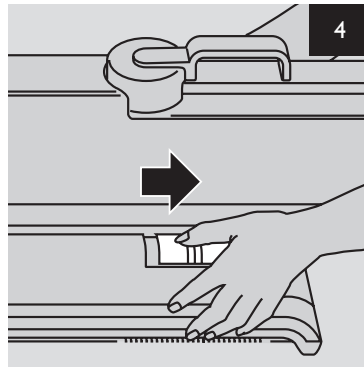
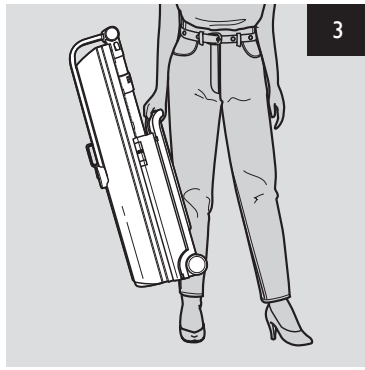
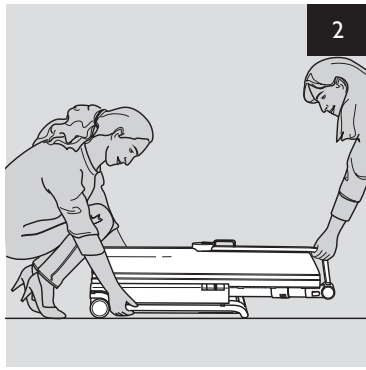
## Garanti sınırlamaları

Bronzlaştırıcı lambalar uluslararası garanti şartları kapsamında değildir.

## Sorun giderme

Cihaz, talimatlara uygun kurulmadığı veya kullanılmadığı için doğru şekilde çalışmıyor olabilir. Bu durumda, aşağıdaki sorun giderme ipuçlarını uygulayarak sorunu kendiniz çözebilirsiniz.

Sorun	Çözüm
Cihaz açılmıyor.	Lamba ünitesi doğru şekilde yerleştirilmemiş (bkz. 'Kullanıma hazırlama'). Adaptör, duvar prizine düzgün olarak takılmamış. Elektrik ile ilgili bir sorun olabilir. Başka bir cihaz ile kontrol edin. Lambalar çalışmaya devam edemeyecek kadar sıcak olabilir. 3 dakika soğumaya bırakın.
Cihazı açtığınızda veya kullanım sırasında, sigorta elektriği kesebilir.	Cihaz yeterince soğutulmamış ve aşırı ısınma koruması cihazı otomatik olarak kapatmıştır. Aşırı ısınma nedenini ortadan kaldırm (örneğin, bir veya daha fazla havalandırma deliğini kapatan havluyu kaldırm). 10 dakika bekleyin ve cihazı tekrar açın. Bronzlaşma cihazının bağlı olduğu devrenin sigortasını kontrol edin. Doğru sigorta tipi 16A standart sigorta veya geç atan otomatik sigortadır. Sigorta, aynı devreye çok fazla cihaz bağlamışsanız da atabilir.
Başansız bronzlaşma sonuçları	Cildiniz için uygun olan bronzlaşma programını takip etmiyor olabilirsiniz. 'Bronzlaşma seansları: ne sıklıkta ve ne kadar süreyle?' bölümündeki tabloya göz atın. Lambalar ve uzandığınız yüzey arasındaki mesafe belirtilenden daha fazladır. Lambalar uzun bir müddet kullanıldıktan sonra, yayılan UV ışığında azalma olacaktır. Bu etki, ancak birkaç sene sonra fark edilebilir duruma gelir. Lambaları değiştirebilir veya biraz daha uzun bronzlaşma süreleri seçerek bu sorunu giderebilirsiniz.





22









## Free Manuals Download Website

<http://myh66.com>

<http://usermanuals.us>

<http://www.somanuals.com>

<http://www.4manuals.cc>

<http://www.manual-lib.com>

<http://www.404manual.com>

<http://www.luxmanual.com>

<http://aubethermostatmanual.com>

Golf course search by state

<http://golfingnear.com>

Email search by domain

<http://emailbydomain.com>

Auto manuals search

<http://auto.somanuals.com>

TV manuals search

<http://tv.somanuals.com>