

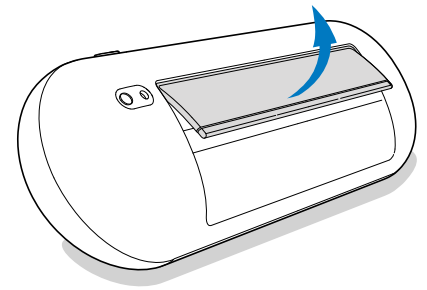


DS7700_V2.0
 All rights reserved.
 © 2011 Koninklijke Philips Electronics N.V.
 Product information is subject to change without prior notice.
 Trademarks are the property of Koninklijke Philips Electronics N.V. or their respective owners.
 Reproduction in whole or in part is prohibited without the written consent of the copyright owner.

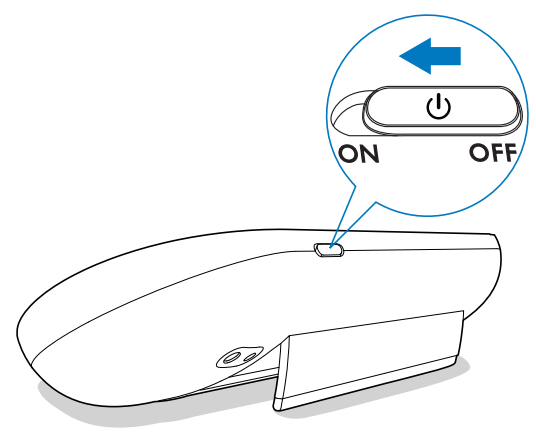
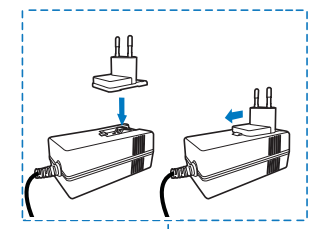
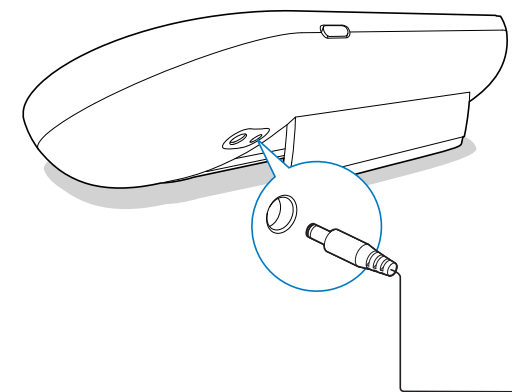
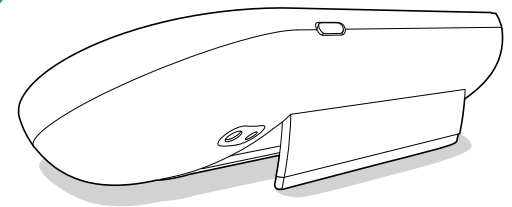
Be responsible
 Respect copyrights



1



2



Register your product and get support at
www.philips.com/welcome

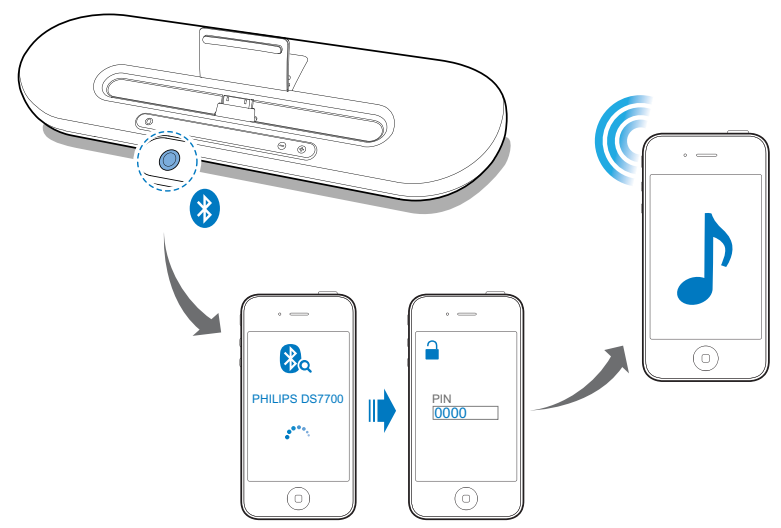
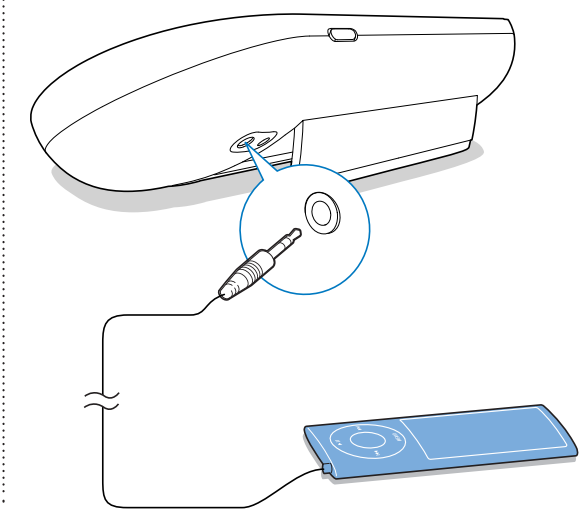
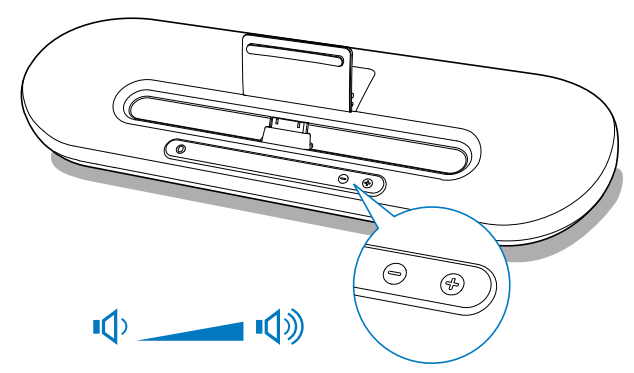
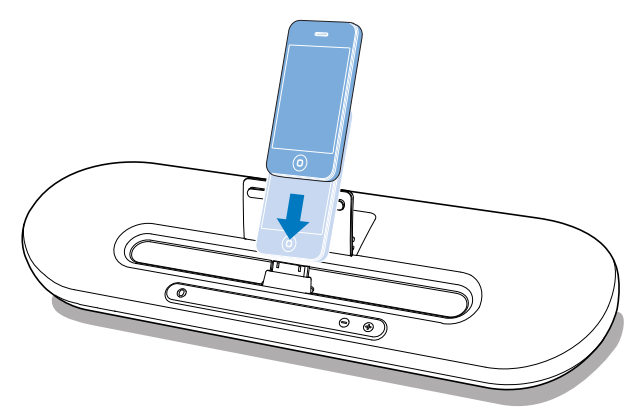
DS7700



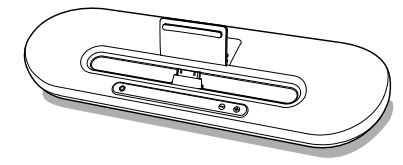
Quick start guide **English**
 Lynvejledning **Dansk**
 Schnellstartanleitung **Deutsch**
 Guía de configuración rápida **Español**
 Guide de démarrage rapide **Français**
 Guida di avvio rapido **Italiano**
 Snelstartgids **Nederlands**
 S snabbstartguide **Svenska**
 Stručný návod k rychlému použití **Čeština**
 Guia de início rápido **PT-BR**

Οδηγός γρήγορης έναρξης **Ελληνικά**
 Pikaopas **Suomi**
 Rövid üzembe helyezési útmutató **Magyar**
 Skrócona instrukcja obsługi **Polski**
 Manual de Inicio Rápido **Portugués**
 Краткое руководство **Русский**
 Stručná úvodná príručka **Slovensky**
 요약 설명서 **한국어**
 快速啟用指南 **繁體中文**
 快速启用指南 **简体中文**

PHILIPS



- iPod touch (1G, 2G, 3G, 4G)
- iPhone, iPhone 3G, iPhone 3GS, iPhone 4
- iPod nano 1G, iPod nano 2G, iPod nano 3G, iPod nano 4G, iPod nano 5G, iPod nano 6G
- iPod mini
- iPad



www.philips.com/support



EN

Before using your product, read all accompanying safety information.

CS

Před použitím výrobku si pozorně přečtěte přiložené bezpečnostní informace.

DA

Før du tager produktet i brug, skal du læse de medfølgende sikkerhedsoplysninger

DE

Lesen Sie vor der ersten Verwendung Ihres Produktes alle beiliegenden Sicherheitsinformationen.

EL

Πριν να χρησιμοποιήσετε το προϊόν σας, διαβάστε όλες τις παρεχόμενες πληροφορίες ασφαλείας.

ES

Antes de usar el producto, lee toda la información adjunta a la de seguridad

FI

Lue kaikki turvallisuusohjeet ennen tuotteen käyttöä.

FR

Veillez lire toutes les consignes de sécurité fournies avec votre produit avant de l'utiliser.

HU

A termék használata előtt olvassa el az ahhoz tartozó összes biztonsági tudnivalót.

IT

Prima di utilizzare il prodotto, leggere tutte le informazioni di sicurezza allegate.

KOR

제품을 사용하기 전에 제공된 모든 안전 정보를 숙지하십시오

NL

Lees voor gebruik de meegeleverde veiligheidsinformatie.

PO

Przed rozpoczęciem użytkowania produktu należy przeczytać wszystkie dołączone informacje dotyczące bezpieczeństwa.

PT_PR

Antes de utilizar o seu produto, leia as informações de segurança que o acompanham.

PT_BR

Antes de usar o produto, leia todas as informações de segurança fornecidas.

RU

Перед использованием устройства прочтите всю сопутствующую информацию по безопасности.

SK

Pred používaním produktu si prečítajte všetky pripojené bezpečnostné informácie.

SV

Innan du använder produkten ska du läsa all tillhörande säkerhetsinformation.

ZH_CN

使用产品之前，请先阅读所有随附的安全信息。

ZH_HK

使用產品前，請先完整閱讀隨附的安全資訊。

English Specifications

Amplifier	
Rated Output Power	14 W RMS
Signal to Noise Ratio	65 dB
AUX IN	0.8 V RMS 10 kohm
General information	
AC power (power adaptor)	OH-1048B1003500U-CCC / -U; OH-1048E1003500U (Philips) OH-1048B1003500U-IR/ OH-1048B1003500U-BZ <p>Input: 100–240V– 50/60Hz 1.5A Output: 10V ≐ 3.5A</p>
Operation Power Consumption	<35W
Eco Standby Power Consumption	<1W
Dimensions - Main Unit (W x H x D)	310 x 110 x 40 mm
Weight - Main Unit	0.76 kg

Čeština Vlastnosti

Zesilovač	
Nominální výstupní výkon	14 W RMS
Odstup signál/šum	65 dB
Připojení AUX IN	0,8 V RMS 10 kohm
Obecné informace	
Napájecí síťřídavým proudem (napáječ adaptér)	OH-1048B1003500U-CCC / -U; OH-1048E1003500U (Philips) OH-1048B1003500U-IR/ OH-1048B1003500U-BZ <p>Vstup: 100–240V– 50/60Hz 1.5A Výstup: 10V ≐ 3.5 A</p>
Provozní spotřeba energie	<35W
Spotřeba energie v pohotovostním režimu Eco	<1W
Rozměry – hlavní jednotka (Š x V x D)	310 x 110 x 40 mm
Hmotnost – hlavní jednotka	0,76 kg

Dansk Specifikationer

Forstærker	
Vurderet effekt	14 W RMS
Signal-støj-forhold	65 dB
AUX IN	0,8 V RMS 10 kohm
Generelle oplysninger	
Vekselstrøm (lysnetaadapter)	OH-1048B1003500U-CCC / -U; OH-1048E1003500U (Philips) OH-1048B1003500U-IR/ OH-1048B1003500U-BZ <p>Indgang: 100–240V– 50/60Hz 1.5A Udgang: 10V ≐ 3.5A</p>
Strømförbrug ved drift	<35W
Strømförbrug ved Eco-standby	<1W
Mål - hovenenhed (B x H x D)	310 x 110 x 40 mm
Vægt - hovedenhed	0,76 kg

Deutsch Technische Daten

Verstärker	
Ausgangsleistung	14 W RMS
Signal/Rausch-Verhältnis	65 dB
AUX IN	0,8 V RMS 10 kOhm
Allgemeine Informationen	
Netzteil (Netzadapter)	OH-1048B1003500U-CCC / -U; OH-1048E1003500U (Philips) OH-1048B1003500U-IR/ OH-1048B1003500U-BZ <p>Eingangleistung: 100–240V– 50/60Hz 1.5A Ausgangsleistung: 10V ≐ 3.5A</p>
Betriebs-Stromverbrauch	<35W
Eco-Standby-Stromverbrauch	<1W
Abmessungen – Hauptgerät (B x H x T)	310 x 110 x 40 mm
Gewicht – Hauptgerät	0,76 kg

Ελληνικά Προδιαγραφές

Εισοχητής	
Ονομαστική ισχύς εξόδου	14 W RMS
Λόγος σήματος προς θόρυβο	65 dB
AUX IN	0,8 V RMS 10 kohm
Γενικές πληροφορίες	
Ρεύμα AC (προφοbotικό)	OH-1048B1003500U-CCC / -U; OH-1048E1003500U (Philips) OH-1048B1003500U-IR/ OH-1048B1003500U-BZ <p>Είσοδος: 100–240V– 50/60Hz 1.5A Εξοδος: 10V ≐ 3.5A</p>
Κατανάλωση ενέργειας σε λειτουργία	<35W
Κατανάλωση ενέργειας κατά τη λειτουργία αναμονής Eco Power	<1W
Διαστάσεις - Κύρια μονάδα (Π x Υ x Β)	310 x 110 x 40 χιλ.
Βάρος - Κύρια μονάδα	0,76 κιλά

Español Accesorios

Amplificador	
Potencia de salida nominal	14 W RMS
Relación señal/ruido	65 dB
AUX IN	0,8 V RMS 10 kilo ohmio
Información general	
Alimentación de CA (adaptador de corriente)	OH-1048B1003500U-CCC / -U; OH-1048E1003500U (Philips) OH-1048B1003500U-IR/ OH-1048B1003500U-BZ <p>Entrada: 100–240V– 50/60Hz 1.5A Salida: 10V ≐ 3.5 A</p>
Consumo en funcionamiento	<35W
Consumo de energía en modo de espera de bajo consumo	<1W
Dimensiones: unidad principal (anchura x altura x profundidad)	310 x 110 x 40 mm
Peso: unidad principal	0,76 kg

Suomi Tekniset tiedot

Vahvistin	
Ilmoitettu lähtöteho	14 W RMS
Signaali–kohina-suhde	65 dB
AUX IN	0,8 V RMS 10 kohmia
Yleistä	
Verkkovirta (verkkolaite)	OH-1048B1003500U-CCC / -U; OH-1048E1003500U (Philips) OH-1048B1003500U-IR/ OH-1048B1003500U-BZ <p>Tulo: 100–240V– 50/60Hz 1.5A Lähtö: 10V ≐ 3.5A</p>
Virrankulutus käytössä	<35W
Virrankulutus Eco Power –valmiustilassa	<1W
Mitat - päälaitte (L x K x S)	310 x 110 x 40 mm
Paino - päälaitte	0,76 kg

Française Spécifications

Amplificateur	
Puissance de sortie nominale	14 W RMS
Rapport signal / bruit	65 dB
AUX IN	0,8 V RMS : 10 kohms
Informations générales	
Alimentation CA (adaptateur secteur)	OH-1048B1003500U-CCC / -U; OH-1048E1003500U (Philips) OH-1048B1003500U-IR/ OH-1048B1003500U-BZ <p>Entrée : 100–240V– 50/60Hz 1.5A Sortie : 10V ≐ 3.5A</p>
Consommation électrique en fonctionnement	<35W
Consommation électrique en mode veille Eco	<1W
Dimensions - Unité principale (l x H x P)	310 x 110 x 40 mm
Poids - Unité principale	0,76 kg

Magyar Termékjellemzők

Minőségtanúsítás

A garanciajegyven feltüntetett forgalombahozó vállalat a 2/1984. (III.10.) BkM-IpM együttes rendelet értelmében tanúsítja, hogy ezen készülék megfelel a műszaki adatokban megadott értékeknek.

Figyelem! A meghibásodott készüléket –beleértve a hálózati csatlakozót is – csak szakember (szerviz) javíthatja. Ne tegye ki a készüléket esőnek vagy nedvesség hatásának!

Garancia

A forgalombahozó vállalat a termékre 12 hónap garanciát vállal.

Erősítő	
Névleges kimenő teljesítmény	14 W RMS
Jel-zaj arány	65 dB
AUX IN	0,8 V RMS 10 kOhm

Általános információk

Tápfeszültség (adapter)	OH-1048B1003500U-CCC / -U; OH-1048E1003500U (Philips) OH-1048B1003500U-IR/ OH-1048B1003500U-BZ <p>Bemenet: 100–240V– 50/60Hz 1.5A Kimenet: 10V ≐ 3.5 A</p>
Teljesítményfelvétel	<35W
Eco készenléti üzemmód energiafelhasználása	<1W
Méretetek - főegység (szé x ma x mé)	310 x 110 x 40 mm
Súly - főegység	0,76 kg

Italiano Specifiche

Amplificatore	
Potenza nominale in uscita	14 W RMS
Rapporto segnale/rumore	65 dB
AUX IN	0,8 V RMS 10 kohm

Informazioni generali	
Alimentazione CA (adattatore di alimentazione)	OH-1048B1003500U-CCC / -U; OH-1048E1003500U (Philips) OH-1048B1003500U-IR/ OH-1048B1003500U-BZ <p>Ingresso: 100–240V– 50/60Hz 1.5A Uscita: 10V ≐ 3.5A</p>

Consumo energetico durante il funzionamento	<35W
Consumo energetico in modalità Standby Eco Power	<1W
Dimensioni unità principale (L x A x P)	310 x 110 x 40 mm
Peso unità principale	0,76 kg

한국어 사양

종목기

정격 출력 전력	14 W RMS
신호 대 소음비	65 dB
AUX IN	0.8 V RMS 10 kohm

일반 정보

AC 여덜터	OH-1048B1003500U-CCC / -U; OH-1048E1003500U (Philips) OH-1048B1003500U-IR/ OH-1048B1003500U-BZ <p>입력: 100–240V– 50/60Hz 1.5A 출력: 10V ≐ 3.5A</p>
작동 전력 소비량	<35W
예코 대기 전력 소비량	<1W
규격 – 본체 (W x H x D)	310 x 110 x 40 mm
중량 – 본체	0,76 kg

Nederlands Specificaties

Versterker	
Nominaal uitgangsvermogen	14 W RMS
Signaal-ruisverhouding	65 dB
AUX IN	0,8 V RMS 10 kohm
Algemeen informatie	
Netspanning (netspanningsadapter)	OH-1048B1003500U-CCC / -U; OH-1048E1003500U (Philips) OH-1048B1003500U-IR/ OH-1048B1003500U-BZ <p>Invoer: 100–240V– 50/60Hz 1.5A Uitvoer: 10 V ≐ 3.5 A</p>
Energieverbruik in werking	<35W
Energieverbruik in energiebesparende stand-bymodus	<1W
Afmetingen - apparaat (b x h x d)	310 x 110 x 40 mm
Gewicht - apparaat	0,76 kg

Polski Dane techniczne

Wzmacniacz	
Zakres mocy wyjściowej	14 W RMS
Stosunek sygnału od szumu	65 dB
AUX IN	0,8 V RMS 10 kΩ

Informacje ogólne	
Zasilacz sieciowy	OH-1048B1003500U-CCC / -U; OH-1048E1003500U (Philips) OH-1048B1003500U-IR/ OH-1048B1003500U-BZ <p>Moc wyjściowa: 100–240V– 50/60Hz 1.5A Moc wyjściowa: 10 V ≐ 3.5 A</p>

Pobór mocy podczas pracy	<35W
Pobór mocy w trybie gotowości Eco Power	<1W
Wymiary – jednostka centralna (szer.x wys. głębi)	310 x 110 x 40 mm
Waga – jednostka centralna	0,76 kg

Português(EU) Especificações

Amplificador	
Potência de saída nominal	14 W RMS
Relação sinal/ruído	65 dB
AUX IN	0,8 V RMS 10 kohm

Informações gerais	
Alimentação CA (transformador)	OH-1048B1003500U-CCC / -U; OH-1048E1003500U (Philips) OH-1048B1003500U-IR/ OH-1048B1003500U-BZ <p>Entrada: 100–240V– 50/60Hz 1.5A Saída: 10 V ≐ 3.5 A</p>

Consumo de energia em funcionamento	<35W
Consumo de energia no modo de poupança de energia	<1W
Dimensões - unidade principal (L x A x P)	310 x 110 x 40 mm
Peso - unidade principal	0,76 kg

Português(BR) Especificações

Amplificador	
Potência de saída	14 W RMS
Relação sinal-ruído	65 dB
AUX IN	0,8 V RMS 10 kohm

Informações gerais	
Fonte de alimentação	OH-1048B1003500U-CCC / -U; OH-1048E1003500U (Philips) OH-1048B1003500U-IR/ OH-1048B1003500U-BZ <p>Entrada: 100–240V– 50/60Hz 1.5A Saída: 10 V ≐ 3.5 A</p>
Consumo de energia em operação	<35W
Consumo no modo de espera de economia de energia	<1W
Dimensões - Unidade principal (L x A x P)	310 x 110 x 40 mm
Peso - Unidade principal	0,76 kg

Русский Характеристики

Усилитель	
Номинальная выходная мощность	14 Вт (среднеквадратичная)]
Отношение сигнал/шум	65 дБ
AUX IN	0,8 В (среднеквадратичная), 10 кОм

Общая информация	
Адаптер переменного тока (адаптер питания)	OH-1048B1003500U-CCC / -U; OH-1048E1003500U (Philips) OH-1048B1003500U-IR/ OH-1048B1003500U-BZ <p>Вход: 100-240 В – 50/60 Гц 1.5A Выход: 10 В ≐ 3.5 А</p>

Энергопотребление в режиме работы	<35Вт
Энергопотребление в режиме ожидания	<1Вт
Размеры основного устройства (Ш x В x Г)	310 x 110 x 40 mm
Вес основного устройства	0,76 кг

Slovensky Špecifikácie

Zosilňovač	
Menovitý výstupný výkon	14 W RMS
Odstup signálu od šumu	65 dB
Pripojenie AUX IN	0,8 V RMS 10 kohmov

Všeobecné informácie

Sietový adaptér (napájací adaptér)	OH-1048B1003500U-CCC / -U; OH-1048E1003500U (Philips) OH-1048B1003500U-IR/ OH-1048B1003500U-BZ <p>Vstup: 100–240V– 50/60Hz 1.5A Výstup: 10V ≐ 3.5A</p>
Prevádzková spotreba energie	<35W
Spotreba energie v pohotovostnom režime Eco	<1W
Rozmery – hlavná jednotka (Š x V x H)	310 x 110 x 40 mm
Hmotnosť – hlavná jednotka	0,76 kg

Svenska Specifikationer

Förstärkare	
Nominell uteffekt	14 W RMS
Signal/brusförhållande	65 dB
AUX IN	0,8 V RMS 10 kohm

Allmän information	
Nätström (nätadapter)	OH-1048B1003500U-CCC / -U; OH-1048E1003500U (Philips) OH-1048B1003500U-IR/ OH-1048B1003500U-BZ <p>Ingång: 100–240V– 50/60Hz 1.5A Utgång: 10 V ≐ 3.5 A</p>
Effektförbrukning vid användning	<35W
Effektförbrukning i Eco Standby-läge	<1W
Mått - huvudenhet (B x H x D)	310 x 110 x 40 mm
Vikt - huvudenhet	0,76 kg

简体中文规格

功放器	
额定输出功率	14 W RMS
信噪比	65 dB
AUX IN	0.8 V RMS 10 千欧姆

一般信息	
交流电源（电源适配器）	OH-1048B1003500U-CCC / -U; OH-1048E1003500U (Philips) OH-1048B1003500U-IR/ OH-1048B1003500U-BZ <p>输入：100–240V– 50/60Hz 1.5A 输出：10V ≐ 3.5A</p>
工作功耗	<35W
环保节能待机功耗	<1W
尺寸 - 主装置（宽 x 高 x 厚）	310 x 110 x 40 毫米
重量 - 主装置	0.76 千克

繁體中文規格

擴大機	
額定輸出功率	14 W RMS
訊噪比	65 dB
AUX IN	0.8 V RMS 10 kohm
一般資訊	
交流電源（電源適配器）	OH-1048B1003500U-CCC / -U; OH-1048E1003500U (Philips) OH-1048B1003500U-IR/ OH-1048B1003500U-BZ <p>輸入：100–240V– 50/60Hz 1.5A</p>

EC DECLARATION OF CONFORMITY

(DECLARATION DE CONFORMITE CE)

We / Nous, PHILIPS CONSUMER LIFESTYLE B.V.

(Name / Nom de l'entreprise)

TUSSENDIEPEN 4, 9206 AD DRACHTEN, THE NETHERLANDS

(address / adresse)

Declare under our responsibility that the electrical product(s):

(Déclarons sous notre propre responsabilité que le(s) produit(s) électrique(s):)

PHILIPS.....

(brand name, nom de la marque)

DS7700/10

(Type version or model, référence ou modèle)

Docking Speaker.....

(product description, description du produit)

To which this declaration relates is in conformity with the following harmonized standards:

(Auquel cette déclaration se rapporte, est conforme aux normes harmonisées suivantes)

(title, number and date of issue of the standard / titre, numéro et date de parution de la norme)

EN60065:2002+A1:2006+A11:2008+A2:2010; EN62301:2005;

EN61000-3-2:2006+A2:2009; EN61000-3-3:2008;

EN55020:2007; EN55013:2001+A1:2003+A2:2006;

EN301489-1 V1.8.1:2008; EN301489-17 V2.1.1:2009;

EN300328 V1.7.1:2006; EN50371:2002; EN61000-6-1:2007

Following the provisions of :

(Conformément aux exigences essentielles et autres dispositions pertinentes de:)

1999/5/EC (R&TTE Directive)

2004/108/EC (EMC Directive)

2009/125/EC (ErP Directive)

- EC/1275/2008

- EC/278/2009

And are produced under a quality scheme at least in conformity with ISO 9001 or CENELEC Permanent Documents

(Et sont fabriqués conformément à une qualité au moins conforme à la norme ISO 9001 ou aux Documents Permanents CENELEC)

SGS Fimko Ltd
SGS-CSTC
SGS-CSTC

CB Scheme
EMC
ErP

The Notified Bodyperformed

(L'Organisme Notifié)

(Name and number/ nom et numéro)

(a effectué)

(description of intervention /
description de l'intervention)

FI 6582

GZEM101200300401V&GZEM1012003005RFV

GZES101200394531

And issued the certificate,

(et a délivré le certificat)

(certificate number / numéro du certificat)

Remarks:

(Remarques:)

Drachten, The Netherlands, March 23, 2011

(place, date / lieu, date)

A.Speelman, CL Compliance Manager

(signature, name and function / signature, nom et fonction)

Register your product and get support at

www.philips.com/welcome

ETOP! Thank you for choosing Philips. Need help fast? <p>Read your Quick Start Guide and/or User Manual first for quick tips that make using your Philips product more enjoyable.</p> <p>If you have read your instructions and still need assistance, you may access our online help at www.philips.com/welcome or call 1-888-PHILIPS (744-5477) while with your product. (and Model / Serial number)</p>	¡SÍ! Philips vous remercie de votre confiance. Besoin d'une aide rapide? <p>Le Guide rapide de début et Manuel de l'utilisateur regroupent l'essentiel destiné à améliorer l'utilisation de votre produit Philips. Toutefois, si vous ne parvenez pas à résoudre votre problème, vous pouvez accéder à notre aide en ligne à l'adresse www.philips.com/welcome ou former le 1-888-PHILIPS (744-5477) (English speaking) ¡Veillez à avoir votre produit à portée de main. (et modèle / serial number)</p>	¡ALTO! Gracias por escoger Philips. Necesita ayuda inmediata? <p>Lea primero la Guía rápida del comienzo o el Manual del usuario, en donde encontrará consejos que le ayudarán a disfrutar plenamente de su producto Philips. Si después de leerlo aún necesita ayuda, consulte nuestro servicio de asistencia en línea en www.philips.com/welcome o llame al teléfono 1-888-PHILIPS (744-5477) (y tenga a mano el producto. (y número de modelo / serial)</p>
---	---	--

EN

Congratulations on your purchase and welcome to Philips!
To fully benefit from the support that Philips offers, register your product at www.philips.com/welcome.

Safety



This ‘bolt of lightning’ indicates uninsulated material within your unit may cause an electrical shock. For the safety of everyone in your household, please do not remove product covering.

The ‘exclamation point’ calls attention to features for which you should read the enclosed literature closely to prevent operating and maintenance problems.

WARNING: To reduce the risk of fire or electric shock, this apparatus should not be exposed to rain or moisture and objects filled with liquids, such as vases, should not be placed on this apparatus.

CAUTION: To prevent electric shock, match wide blade of plug to wide slot, fully insert.

Important Safety Instructions

- Read these instructions.
- Keep these instructions.
- Heed all warnings.
- Follow all instructions.
- Do not use this apparatus near water.
- Clean only with dry cloth.
- Do not block any ventilation openings. Install in accordance with the manufacturer’s instructions.
- Do not install near any heat sources such as radiators, heat registers, stoves, or other apparatus (including amplifiers) that produce heat.
- Do not defeat the safety purpose of the polarized or grounding-type plug. A polarized plug has two blades with one wider than the other. A grounding type plug has two blades and a third grounding prong. The wide blade or the third prong are provided for your safety. If the provided plug does not fit into your outlet, consult an electrician for replacement of the obsolete outlet.
- Protect the power cord from being walked on or pinched, particularly at plugs, convenience receptacles, and the point where they exit from the apparatus.
- Only use attachments/accessories specified by the manufacturer.
- Use only with the cart, stand, tripod, bracket, or table specified by the manufacturer or sold with the apparatus. When a cart is used, use caution when moving the cart/ apparatus combination to avoid injury from tip-over.
- Unplug this apparatus during lightning storms or when unused for long periods of time.
- Refer all servicing to qualified service personnel. Servicing is required when the apparatus has been damaged in any way, such as power-supply cord or plug is damaged, liquid has been spilled or objects have fallen into the apparatus, the apparatus has been exposed to rain or moisture, does not operate normally, or has been dropped.

- Batteries (battery pack or batteries installed) shall not be exposed to excessive heat such as sunshine, fire or the like.

- Apparatus shall not be exposed to dripping or splashing.

- Do not place any sources of danger on the apparatus (e.g. liquid filled objects, lighted candles).

- This product may contain lead and mercury. Disposal of these materials may be regulated due to environmental considerations. For disposal or recycling information, please contact your local authorities or the Electronic Industries Alliance: www.eiae.org.

- Where the MAINS plug or an appliance coupler is used as the disconnect device, the disconnect device shall remain readily operable.

Warning

- Never remove the casing of this apparatus.
- Never lubricate any part of this apparatus.
- Never place this apparatus on other electrical equipment.
- Keep this apparatus away from direct sunlight, naked flames or heat.
- Ensure that you always have easy access to the power cord, plug or adaptor to disconnect the apparatus from the power.

Notice

Any changes or modifications made to this device that are not expressly approved by Philips Consumer Lifestyle may void the user’s authority to operate the equipment.

Notice for the USA

This equipment has been tested and found to comply with the limits for a **Class B digital device**, pursuant to **part 15 of the FCC Rules**. These limits are designed to provide reasonable protection against harmful interference in a residential installation. This equipment generates, uses, and can radiate radio frequency energy and, if not installed and used in accordance with the instruction manual, may cause harmful interference to radio communications.

However, there is no guarantee that interference will not occur in a particular installation. If this equipment does cause harmful interference to radio or television reception, which can be determined by turning the equipment off and on, the user is encouraged to try to correct the interference by one or more of the following measures:

- Relocate the receiving antenna.
- Increase the separation between equipment and receiver.
- Connect the equipment into an outlet on a circuit different from that to which the receiver is connected.
- Consult the dealer or an experienced radio/TV technician for help.

This equipment complies with FCC’s and IC’s RF radiation exposure limits set forth for an uncontrolled environment. The antenna(s) used for this transmitter must be installed and operated to provide a separation distance of at least 20 cm from all persons and must not be collocated or operating in conjunction with any other antenna or transmitter. Installers must ensure that 20cm separation distance will be maintained between the device (excluding its handset) and users.

The set complies with the FCC-Rules, Part 15 and with 21 CFR 1040.10.

Operation is subject to the following two conditions:

- This device may not cause harmful interference, and
- This device must accept any interference received, including interference that may cause undesired operation.

This digital apparatus does not exceed the Class B limits for radio noise emissions from digital apparatus as set out in the Radio Interference Regulations of the Canadian Department of Communications. This Class B digital apparatus complies with Canadian ICES-003.

Disposal of your old product and batteries

Never dispose of your product with other household waste. Please inform yourself about the local rules on the separate collection of electrical and electronic products and batteries. The correct disposal of these products helps prevent potentially negative consequences on the environment and human health.

Your product contains batteries, which cannot be disposed of with normal household waste.

Please inform yourself about the local rules on separate collection of batteries. The correct disposal of batteries helps prevent potentially negative consequences on the environment and human health.

Please visit www.recycle.philips.com for additional information on a recycling center in your area.

! Caution
<ul style="list-style-type: none">Removal of the built-in battery invalidates the warranty and may destroy the product.

Environmental information

All unnecessary packaging has been omitted. We have tried to make the packaging easy to separate into three materials: cardboard (box), polystyrene foam (buffer) and polyethylene (bags, protective foam sheet).

Your system consists of materials which can be recycled and reused if disassembled by a specialized company. Please observe the local regulations regarding the disposal of packaging materials, exhausted batteries and old equipment.

Made for			
----------	---	---	---

“Made for iPod®,” “Made for iPhone®,” and “Made for iPad®” mean that an electronic accessory has been designed to connect specifically to iPod, iPhone, or iPad, respectively, and has been certified by the developer to meet Apple performance standards. Apple is not responsible for the operation of this device or its compliance with safety and regulatory standards. Please note that the use of this accessory with iPod, iPhone, or iPad may affect wireless performance. iPod and iPhone are trademarks of Apple Inc., registered in the U.S. and other countries. iPad is a trademark of Apple Inc.

iPhone, iPod, iPod touch®, iPod classic®, iPod nano®, and iPod shuffle® are trademarks of Apple Inc., registered in the U.S. and other countries. iPad is a trademark of Apple Inc.

Note
<ul style="list-style-type: none">The type plate is located on the bottom of the apparatus.

Register online at www.philips.com/welcome today to get the very most from your purchase.

Registering your model with PHILIPS makes you eligible for all of the valuable benefits listed below,so don't miss out. Register online at www.philips.com/welcome to ensure:

*Product Safety Notification	*Additional Benefits
By registering your product, you'll receive notification – directly from the manufacturer.	Registering your product guarantees that you'll receive all of the privileges to which you're entitled, including special money-saving offers.

PHILIPS

Congratulations on your purchase, and welcome to the "family!"

Dear PHILIPS product owner:
Thank you for your confidence in PHILIPS. You've selected one of the best-built, best-backed products available today! We'll do everything in our power to keep you happy with your purchase for many years to come.

As a member of the PHILIPS "family," you're entitled to protection by one of the most comprehensive warranties in the industry. What's more, your purchase guarantees you'll receive all the information and special offers for which you qualify, plus easy access to accessories from our convenient home shopping network.

Most importantly, you can count on our uncompromising commitment to your total satisfaction.

All of this is our way of saying welcome - and thanks for investing in a PHILIPS product.

Know these safety symbols

CAUTION
DO NOT OPEN
CHOPEN TO REMOVE THE BATTERY COVER. DO NOT PEEK. NEVER OPEN TO REPAIR. ALWAYS REFER TO REPAIR MANUAL.

! This "bolt of lightning" indicates uninsulated material within your unit may cause an electrical shock. For the safety of everyone in your household, please do not remove product covering.

⚠ The "exclamation point" calls attention to features for which you should read the enclosed literature closely to prevent operating and maintenance problems.

WARNING: To reduce the risk of fire or electric shock, this apparatus should not be exposed to rain or moisture and objects filled with liquids, such as vases, should not be placed on this apparatus.

CAUTION: To prevent electric shock, match wide blade of plug to wide slot, fully insert.

ATTENTION: Pour éviter les choc électriques, introduire la tige la plus large de la fiche dans la borne correspondante de la prise et pousser jusqu'au fond.

For Customer Use
Enter below the Serial No. which is located on the rear of the cabinet. Retain this information for future reference.
Model No. _____
Serial No. _____

P.S. To get the most from your PHILIPS purchase, be sure to register online at www.philips.com/welcome

PHILIPS LIMITED WARRANTY ONE (1) YEAR

WARRANTY COVERAGE: PHILIPS warranty obligation is limited to the terms set forth below.

WHO IS COVERED: Philips warrants the product to the original purchaser or the per-son receiving the product as a gift, against defects in material and workmanship as based on the date of original purchase ("Warranty Period") from an Authorized Dealer. The original sales receipt showing the product name and the purchase date from an authorized retailer is considered such proof.

WHAT IS COVERED: The Philips warranty covers new products if a defect in material or workmanship occurs and a valid claim is received by Philips within the Warranty Period. As to option, Philips will either (1) repair the product at no charge, using new or refurbished replacement parts, or (2) exchange the product with a product that is new or which has been manufactured from new, or serviceable used parts and is at least functionally equivalent or most comparable to the original product in Philips current inventory, or (3) refund the original purchase price of the product. Philips warrants replacement products or parts provided under this warranty against defects in materials and workmanship from the date of the replacement or repair for ninety (90) days or for the remaining portion of the original product's warranty. whichever provides longer coverage for you. When a product or part is exchanged, any replacement item becomes your property and the replaced item becomes Philips' property. When a refund is given, your product becomes Philips' property. **Note: Any product sold and identified as refurbished or renewed carries a ninety (90) day limited warranty.**

Replacement product can only be sent if all warranty requirements are met. Failure to follow all requirements can result in delay.

WHAT IS NOT COVERED - EXCLUSIONS AND LIMITATIONS: This Limited Warranty applies only to the new products manufac-tured by or for Philips that can be identified by the trademark, trade name, or logo affixed to it. This Limited Warranty does not apply to any non-Philips hardware product or any software, even if packaged or sold with the product. Non-Philips manufacturers, suppliers, or publishers may provide a separate warranty for their own products packaged with the built-in product.

Philips is not liable for any damage to or loss of any programs, data, or other information stored on any media contained within the product, or any non-Philips product or part not covered by this warranty. Recovery or reinstallation of programs, data or other information is not covered under this Limited Warranty.

This warranty does not apply (a) to damage caused by accident, abuse, misuse, neglect, misapplication, or non-Philips product, (b) to damage caused by service performed by anyone other than Philips or Philips Authorized Service Location, (c) to a product or a part that has been modified without the written permission of

This warranty gives you specific legal rights. You may have other rights which vary from state/province to state/province.

Philips, P.O. Box 10313 Stamford, CT 06904	3140 035 0201
---	----------------------

FR

Félicitations pour votre achat et bienvenue sur le site Philips ! Pour profiter pleinement de l'assistance Philips, enregistrez votre produit sur le site à l'adresse suivante : www.philips.com/welcome.

! Avertissement
<ul style="list-style-type: none">Ne retirez jamais le boîtier de cet appareil. Ne graissez jamais aucun composant de cet appareil. Ne posez jamais cet appareil sur un autre équipement électrique. Conservez cet appareil à l'abri des rayons du soleil, des flammes nues et de toute source de chaleur. Veillez à maintenir un accès facile au cordon d'alimentation, à la fiche ou à l'adaptateur pour débrancher l'appareil.

Consignes de sécurité importantes

- Lisez attentivement ces consignes.
- Conservez soigneusement ces consignes.
- Tenez compte de tous les avertissements.
- Respectez toutes les consignes.
- N'utilisez pas cet appareil à proximité d'une source d'eau.
- Nettoyez l'appareil avec un chiffon sec uniquement.
- N'obstruez pas les orifices de ventilation. Installez l'appareil conformément aux consignes du fabricant.
- Évitez d'installer l'appareil à proximité des sources de chaleur telles que des radiateurs, registres de chaleur, poêles ou autres appareils (amplificateurs par exemple) produisant de la chaleur.
- Respectez la fonction de sécurité de la fiche polarisée ou de mise à la terre. Une fiche polarisée possède deux broches dont l'une est plus large que l'autre. Une fiche de mise à la terre possède deux broches et une patte de mise à la terre. La broche large ou la troisième patte sont fournies pour des raisons de sécurité. Si la fiche fournie n'est pas adaptée à votre support de prise, demandez à un électricien de vous le remplacer.
- Évitez de marcher sur le cordon d'alimentation ou de le pincer, notamment au niveau des fiches, des prises de courant et de son point de sortie sur l'appareil.
- Utilisez uniquement les pièces de fixation/accessoires spécifié(e)s par le fabricant.
- Utilisez uniquement l'appareil avec le chariot, le socle, le trépied, le support ou la table spécifié(e) par le fabricant ou vendu(e) avec l'appareil. Lorsque vous utilisez un chariot, prenez garde à ne pas le faire basculer avec l'appareil lorsque vous le déplacez. Vous risqueriez de vous blesser.
- Débranchez cet appareil en cas d'orage ou pendant les longues périodes d'inutilisation.
- Confiez toutes les tâches de maintenance à un personnel qualifié. Des travaux de maintenance sont nécessaires en cas d'endommagement de l'appareil : par exemple, endommagement du cordon d'alimentation ou de la fiche, déversement de liquide ou chute d'objets à l'intérieur de l'appareil, exposition de l'appareil à la pluie ou à l'humidité, dysfonctionnement ou chute de l'appareil.
- N'exposez pas les piles ou les batteries intégrées à une source produisant une chaleur excessive, par exemple le soleil, un feu ou similaire.
- Votre appareil ne doit pas être exposé aux fuites goutte à goutte ou aux éclaboussures.
- Ne placez pas d'objets susceptibles d'endommager votre appareil à proximité de celui-ci (par exemple, objets remplis de liquide ou bougies allumées).

- Ce produit peut contenir du plomb et du mercure. La mise au rebut de ces substances peut être réglementée afin de préserver l'environnement. Pour plus d'informations sur le traitement ou le recyclage des produits, veuillez contacter les autorités locales ou l'Electronic Industries Alliance à l'adresse www.eiae.org.

- Si la prise d'alimentation ou un coupleur d'appareil est utilisé(e) comme dispositif de découplage, celui-ci doit rester facilement accessible.

Avertissement

Toute modification apportée à cet appareil qui ne serait pas approuvée expressément par Philips Consumer Lifestyle peut invalider l'habilitation de l'utilisateur à utiliser l'appareil.

Remarque pour les États-Unis

À l'issue des tests dont il a fait l'objet, cet équipement a été déclaré conforme à la section15 de la réglementationFCC applicable aux appareils numériques de classeB. Ces limites sont conçues pour fournir installations résidentielles. Cet équipement génère, utilise et peut émettre des ondes radioélectriques. Il est susceptible de créer des interférences nuisibles dans les communications radioélectriques s'il n'est pas installé ou utilisé conformément au mode d'emploi.

Cependant, l'absence d'interférences dans une installation particulière n'est pas garantie. Dans le cas où cet équipement créerait des en éteignant et en rallumant l'appareil, il est conseillé d'essayer de corriger ces interférences en appliquant une ou plusieurs des mesures suivantes:

- déplacer l'antenne de réception;
- augmenter la distance entre l'équipement et le récepteur;
- raccorder l'équipement à une prise de courant située sur un circuit différent de celui sur lequel le récepteur est connecté;
- prendre conseil auprès d'un distributeur ou d'un technicien radio/TV

Cet appareil est conforme aux limites d'exposition au rayonnement RF stipulées par la FCC et l'IC pour une utilisation dans un environnement non contrôlé. Les antennes utilisées pour cet émetteur doivent être installées et doivent fonctionner à au moins 20 cm de distance des utilisateurs et ne doivent pas être placées près d'autres antennes ou émetteurs ou fonctionner avec ceux-ci. Les installateurs doivent s'assurer qu'une distance de 20 cm sépare l'appareil (à l'exception du combiné) des utilisateurs.

Cet appareil numérique n'émet pas de bruits radioélectriques dépassant les limites applicables aux appareils numériques de Classe B prescrites dans le Règlement sur le Brouillage Radioélectrique édicté par le Ministère des Communications du Canada. Cet appareil numérique de la classe B est conforme à la norme NMB-003 du Canada.

L'appareil est conforme à la réglementation FCC, section 15, et à la norme 21 CFR 1040.10. Son utilisation est soumise à deux conditions :

- L'appareil ne doit pas provoquer d'interférences nuisibles, et
- L'appareil doit supporter les interférences reçues, y compris les interférences empêchant son fonctionnement correct.

Mise au rebut de votre ancien produit et des piles

Votre produit a été conçu et fabriqué avec des matériaux et des composants de haute qualité pouvant être recyclés et réutilisés.

Ne jetez pas ce produit avec les ordures ménagères. Renseignez-vous sur les réglementations locales concernant la collecte des produits électriques et électroniques et des piles. La mise au rebut citoyenne de ces produits permet de protéger l'environnement et la santé.

Votre produit contient des piles qui ne doivent pas être jetées avec les ordures ménagères.

Renseignez-vous sur les réglementations locales concernant la collecte des piles. La mise au rebut citoyenne des piles permet de protéger l'environnement et la santé.

Visitez www.recycle.philips.com pour plus d'informations sur les centres de recyclage dans votre région.

! Attention
<ul style="list-style-type: none">Si vous retirez la batterie intégrée, vous risquez d'endommager le produit et d'annuler la garantie.

Informations sur l'environnement

Tout emballage superflu a été supprimé. Nous avons fait notre possible pour permettre une séparation facile de l'emballage en trois matériaux : carton (boîte), polystyrène moussé (qui amortit les chocs) et polyéthylène (sacs, feuille protectrice en mousse).

Votre appareil se compose de matériaux recyclables et réutilisables à condition d'être démontés par une entreprise spécialisée. Respectez les réglementations locales pour vous débarrasser des emballages, des piles usagées et de votre ancien équipement.

Made for			
----------	---	---	---

« Conçu pour l'iPod® », « Conçu pour l'iPhone® » et « Conçu pour l'iPad® » signifient que l'accessoire électronique a été conçu spécifiquement pour être connecté à un iPod, un iPhone ou un iPad et qu'il a été certifié conforme par son développeur aux normes de performance d'Apple. Apple ne saurait être tenue responsable quant au fonctionnement de l'appareil ou à sa conformité aux normes réglementaires et de sécurité.Veuillez noter que l'utilisation de cet accessoire avec un iPod, un iPhone ou un iPad est susceptible d'affecter ses performances sans fil. iPod et iPhone sont des marques commerciales d'Apple Inc. déposées aux États-Unis et dans d'autres pays. iPad est une marque commerciale d'Apple Inc.

iPhone, iPod, iPod touch®, iPod classic®, iPod nano® et iPod shuffle® sont des marques commerciales d'Apple Inc.dépôsées aux États-Unis et dans d'autres pays. iPadest une marque commerciale d'Apple Inc.

Remarque
<ul style="list-style-type: none">La plaque signalétique est située sous l'appareil.

- La placa de identificación está situada en la parte inferior del dispositivo.

PHILIPS

Regístrese en línea en **www.philips.com/welcome** hoy mismo para aprovechar al máximo su compra.

*Al registrar su modelo con PHILIPS usted cumplirá con los requisitos para obtener todos los valiosos beneficios que se indican a continuación, ¡no se los pierda! Regístrese en línea en **www.philips.com/welcome** para asegurarse de:*

#Seguridad del producto Notificación <p>Al registrar su producto, recibirá la notificación (directamente del fabricante).</p>	#Beneficios adicionales <p>Registrar su producto garantiza que recibirá todos los privilegios de los cuales tiene derecho, incluyendo las ofertas especiales para ahorrar dinero.</p>
---	--

Conozca estos símbolos de**Seguridad**

PHILIPS

¡Felicitaciones por su compra y bienvenido a la "familia"!

Estimado propietario de un producto PHILIPS: Gracias por su confianza en PHILIPS. Usted ha escogido uno de los productos mejor construidos y con mejor respaldo disponible hoy en día. Haremos todo lo que esté a nuestro alcance por mantenerlo satisfecho con su compra durante muchos años.

Como miembro de la "familia" PHILIPS, usted tiene derecho a estar protegido con una de las garantías más completas de la industria. Lo que es más: su compra le garantiza que recibirá toda la información y ofertas especiales a las que tiene derecho, además de un fácil acceso a los accesorios desde nuestra comoda red de compra desde el hogar.

Y lo que es más importante: usted puede confiar en nuestro irrefutable compromiso con su satisfacción total.

Todo esto es nuestra manera de decirle bienvenido y gracias por invertir en un producto PHILIPS.

PS: Para aprovechar al máximo su compra PHILIPS, asegúrese de registrarse en línea en **www.philips.com/welcome**

PHILIPS Visite nuestro sitio en elWorldWide-Web en **http://www.philips.com/welcome**

GARANTÍA LIMITADA PHILIPS UN (1) AÑO

COBERTURA DE GARANTÍA: La obligación de la garantía PHILIPS se limita a los términos establecidos a continuación.

¿QUÉENES ESTÁN CUBIERTOS: PHILIPS garantiza el producto al comprador original o a la persona que lo recibe como regalo contra defectos en los materiales y en la mano de obra, a partir de la fecha de la compra original ("período de garantía") en el distribuidor autorizado. El recibo de ventas, donde aparezca el número del producto y la fecha de la compra en un distribuidor autorizado, se considerará comprobante de esta fecha.

LO QUE ESTÁ CUBIERTO: La garantía Philips cubre productos nuevos si se produce algún defecto en el material o la mano de obra y Philips recibe un reclamo válido dentro del período de garantía. A su propia discreción, Philips (1) reparará el producto sin costo, usando piezas de repuesto nuevas o reacondicionadas; (2) cambiará el producto por uno nuevo o que se ha fabricado con piezas nuevas o usadas utilizables, y que sea al menos funcionalmente equivalente o lo más parecido al producto original del inventario actual de Philips; o (3) reembolsará el precio de compra original del producto. Philips garantiza productos o piezas de repuesto proporcionados bajo esta garantía contra defectos en los materiales y en la mano de obra durante noventa (90) días o por el resto de la garantía del producto original, lo que le promocióne más cobertura. Cuando se cambia un producto o una pieza, el artículo que usted recibe pasa a ser de su propiedad y el que le entrega a Philips pasa a ser propiedad de este último. Cuando se proporcione una garantía limitada de noventa (90) días.

El producto de reemplazo sólo se puede enviar si se cumplen todos los requisitos de la garantía. El incumplimiento de tales requisitos puede ocasionar un retraso.
LO QUE NO SE CUBRE. EXCLUSIONES Y LIMITACIONES: La garantía limitada se aplica sólo a los productos nuevos fabricados por Philips o para Philips que se pueden identificar por la marca registrada, el nombre comercial o por tener el logotipo correspondiente. Esta garantía limitada no se aplica a ningún producto de hardware ni de software que no sea Philips, incluso si viene empacado con el producto o si se vende junto con éste. Los fabricantes, proveedores o editores que no sean Philips pueden proporcionar una garantía por separado para sus propios productos empacados con el producto Philips.

Philips no es responsable por ningún daño o pérdida de programas, datos u otra información almacenados en algún medio contenido en el producto, ni por ningún producto o pieza que no sea Philips que no esté cubierta por esta garantía. La recuperación o la reinstalación de programas, datos u otra información no está cubierta por esta garantía limitada.

Esta garantía no se aplica (a) a daños causados por accidente, abuso, mal uso, negligencia, mala aplicación o a productos que no sean Philips; (b) a daño provocado por servicio realizado por *Esta garantía le otorga derechos legales específicos. Usted puede tener otros derechos que varían entre las diferentes estados y provincias.*

Philips P.O. Box 10313 Stamford, CT 06904

31 40 035 50221

- Evite que se pise o doble el cable de alimentación, en particular junto a los enchufes, tomas de corriente y en el punto donde salen del aparato.

- Use exclusivamente los dispositivos/accesorios indicados por el fabricante.

- Use únicamente el carrito, soporte, trípode o mesa indicados por el fabricante o que se incluya con el aparato. Cuando use un carrito, tenga cuidado al mover juntos el carrito y el aparato para evitar lesiones, ya que se puede volcar.



- Desenchufe el aparato durante las tormentas eléctricas o cuando no lo utilice durante un periodo largo de tiempo.

- El servicio técnico debe realizarlo siempre personal cualificado. Se requerirá servicio de asistencia técnica cuando el aparato sufra algún tipo de daño como, por ejemplo, que el cable de alimentación o el enchufe estén dañados, que se haya derramado líquido o hayan caído objetos dentro del aparato, que éste se haya expuesto a la lluvia o humedad, que no funcione normalmente o que se haya caído.

- No exponga las pilas (batería o pilas instaladas) a temperaturas altas como, por ejemplo, la luz del sol, el fuego o similares.

- No exponga el aparato a goteos ni salpicaduras.

- No coloque sobre el aparato objetos que puedan suponer un peligro (por ejemplo, objetos que contengan líquido o velas encendidas).

- Este producto puede contener plomo y mercurio. Es posible que el desecho de estos materiales se encuentre bajo regulación debido a causas medioambientales. Para obtener información sobre el desecho o reciclaje, póngase en contacto con las autoridades locales o con Electronic Industries Alliance: www.eiae.org.

- Este producto puede contener plomo y mercurio. Es posible que la eliminación de estos materiales se encuentre bajo regulación debido a causas medioambientales. Para obtener información sobre la eliminación o el reciclaje, póngase en contacto con las autoridades locales o con Electronic Industries Alliance: www.eiae.org.

- Si usa el enchufe de alimentación o un adaptador para desconectar el aparato, éstos deberán estar siempre a mano.

Aviso

Cualquier cambio o modificación que se realice en este dispositivo que no esté aprobada expresamente por Philips Consumer Lifestyle puede anular la autoridad del usuario para utilizar el equipo.

Nota para EE.UU.:

Este equipo ha sido probado y cumple los límites establecidos para los dispositivos digitales de clase B, de acuerdo con la sección 15 de reglamento FCC. Estos límites se han establecido para proporcionar una protección razonable contra las interferencias perjudiciales en instalaciones particulares. Este aparato genera, utiliza y puede emitir energía de frecuencias de radio y, si no se instala y utiliza según el manual de instrucciones, puede provocar interferencias perjudiciales en las comunicaciones de radio.

No obstante, no hay garantías de que no se produzcan interferencias en una instalación particular. Si el equipo causa interferencias perjudiciales en la recepción de radio o televisión, que se puedan percibir encendiendo y apagando el equipo, se recomienda al usuario que intente corregirlas tomando una o más de las siguientes medidas:

- Cambie la posición de la antena receptora.
- Aumente la separación entre el aparato y el receptor.
- Conectar el equipo a una toma de corriente de un circuito distinto al que está conectado al receptor.
- Para obtener ayuda, póngase en contacto con el distribuidor o con un técnico de radio o televisión con experiencia.

Este equipo cumple con los límites de exposición a las radiaciones de radiofrecuencia que establece la FCC e IC para proteger el medio ambiente. Las antenas utilizadas para este transmisor deben instalarse y ponerse en funcionamiento para proporcionar una distancia mínima de 20 cm de separación de todas las personas y no deben colocarse ni funcionar junto con cualquier otra antena o transmisor. Los instaladores deben asegurarse de que se mantiene una distancia de 20 cm de separación entre el dispositivo (excluido el microteléfono) y los usuarios.

Cómo deshacerse del producto antiguo y de las pilas

El producto ha sido diseñado y fabricado con materiales y componentes de alta calidad que pueden reciclarse y reutilizarse.

Nunca se deshaga del producto con el resto de la basura doméstica. Infórmese de la legislación local sobre la recogida selectiva de pilas y productos eléctricos y electrónicos. La eliminación correcta de estos productos ayuda a evitar consecuencias potencialmente negativas para el medio ambiente y la salud humana.

Este producto contiene pilas que no se pueden desechar con la basura normal del hogar.

Infórmese de la legislación local sobre la recogida selectiva de baterías. La eliminación correcta de las baterías ayuda a evitar consecuencias potencialmente negativas para el medio ambiente y la salud humana.

Visite **www.recycle.philips.com** para obtener más información sobre un centro de reciclaje de su zona.

Precaución

- La extracción de la batería integrada anula la garantía y puede estropear el producto.

Información medioambiental

Se ha suprimido el embalaje innecesario. Hemos intentado que el embalaje sea fácil de separar en tres materiales: cartón (caja), espuma de poliestireno (corcho) y polietileno (bolsas, lámina de espuma protectora).

El sistema se compone de materiales que se pueden reciclar y volver a utilizar si lo desmonta una empresa especializada. Siga la normativa local acerca del desecho de materiales de embalaje, pilas agotadas y equipos antiguos.

Made for iPod iPhone iPad

“Fabricado para iPod®,” “Fabricado para iPhone®,” y “Fabricado para iPad®” significa que un accesorio electrónico se ha diseñado para conectarse específicamente a iPod, iPhone o iPad, respectivamente y cuenta con la certificación del desarrollador para que cumpla los estándares de rendimiento de Apple. Apple no es responsable del funcionamiento de este dispositivo ni de su cumplimiento de las normas reguladoras de seguridad. Ten en cuenta que el uso de este accesorio con iPod, iPhone o iPad puede afectar al rendimiento inalámbrico. iPod y iPhone son marcas comerciales de Apple Inc., registradas en los EE.UU. y otros países. iPad es una marca registrada de Apple Inc.

iPhone, iPod, iPod touch®, iPod classic®, iPod nano®, and iPod shuffle® son marcas comerciales de Apple Inc., registradas en los EE.UU. y otros países. iPad es una marca registrada de Apple Inc.

Enregistrez-vous en ligne à **www.philips.com/welcome** le plus tôt possible pour profiter pleinement de votre achat.

L'enregistrement de votre modèle auprès de PHILIPS confirme votre éligibilité à tous les bénéfices mentionnés ci-dessous. Enregistrez-vous en ligne à **www.philips.com/welcome** pour assurer :

***Avis sur la sécurité des produits**
En enregistrant votre produit, vous serez avisé - directement par le fabricant.

***Bénéfices additionnels**

L'enregistrement de votre produit garantit que vous bénéficiez de tous les privilèges auxquels vous avez droit y compris des offres-rabais spéciaux.

PHILIPS

Nous vous félicitons de votre achat et vous souhaitons la bienvenue dans la « famille »!

Cher propriétaire d'un produit PHILIPS :
Merci de votre confiance en PHILIPS. Vous avez choisi un produit de fabrication et de garantie supérieures parmi les meilleurs disponibles sur le marché. Et nous ferons tout en notre pouvoir pour que vous soyez pleinement satisfait de votre achat pour des années à venir.

En tant que membre de la « famille » PHILIPS, vous avez droit à une protection inégalée par l'une des garanties les plus complètes de l'industrie.

De plus, votre achat garantit que vous recevrez toutes les informations et offres spéciales auxquelles vous avez droit, ainsi qu'un accès facile à tous les gamme d'accessoires disponibles via notre réseau de téléachat.

Mais ce qui est encore plus important, vous pouvez compter sur notre engagement total quand il s'agit de votre entière satisfaction. C'est notre façon de vous souhaiter la bienvenue et de vous remercier de votre investissement dans un produit PHILIPS.

PS. Pour bénéficier au maximum de votre produit PHILIPS, assurez-vous de vous enregistrer en ligne à **www.philips.com/welcome**

PHILIPS Visitez notre site sur le Web à **http://www.philips.com/welcome**

GARANTIE LIMITÉE PHILIPS UN (1) AN

COUVERTURE DE GARANTIE: La provision pour garanties de PHILIPS se limite aux termes énumérés ci-dessous.

QUI EST COUVERT? Philips garantit le produit au premier acheteur ou à la personne recevant le produit en cadeau contre tout défaut de matière ou de main d'œuvre conformément à la date d'achat originale (le "Période de garantie") ou au distributeur agréé. Le reste de vente original indiquant le nom du produit ainsi que la date d'achat d'un détaillant agréé est considéré comme une preuve d'achat.

QUEST-CE QUI EST COUVERT? La garantie de Philips couvre les nouveaux produits contre tout défaut de matière ou de main d'œuvre et suivant la réception par Philips d'une réclamation valide dans les limites de la garantie. Philips s'engage, à son choix, à (1) réparer le produit gratuitement avec des pièces de rechange neuves ou remises à neuf, ou à (2) échanger le produit pour un produit neuf ou ayant été fabriqué à partir de pièces neuves ou usagées en bon état et au moins fonctionnellement équivalentes ou comparable au produit d'origine dans l'inventaire actuel de Philips, ou à (3) rembourser le prix d'achat initial du produit.

Philips garantit les produits ou pièces de remplacement prévus sous cette garantie contre tout défaut de matière ou de main d'œuvre à partir de la date de remplacement ou de réparation pour une période de quatre-vingt-dix (90) jours ou pour la portion restante de la garantie du produit d'origine, la plus longue de ces couvertures étant à retenir. Lorsqu'un produit ou une pièce est échangé, tout article de rechange devient votre propriété et l'article remplacé devient la propriété de Philips. Lorsqu'un remboursement est effectué, votre produit devient la propriété de Philips.

Remarque : tout produit vendu et identifié comme étant révisé n'est pas couvert par cette garantie limitée de quatre-vingt-dix (90) jours.

Un produit de remplacement ne pourra être envoyé que si toutes les exigences de la garantie ont été respectées. Tout matériel ne répondant à toutes les exigences pourra entraîner un délai.

CE QUI N'EST PAS COUVERT - EXCLUSIONES ET LIMITATIONS: Cette garantie limitée ne s'applique qu'aux nouveaux produits fabriqués par ou pour Philips pouvant être identifiés par la marque de commerce, le nom commercial ou le logo qui y sont associés. Cette garantie limitée ne couvre pas les produits ayant un défaut de logiciel non Philips, même si celui-ci est incorporé au produit ou vendu avec celui-ci. Les fabricants, fournisseurs ou éditeurs non-Philips peuvent fournir une garantie séparée pour leurs propres produits, indépends au produit fourni.

Philips ne saurait être tenu responsable de tout dommage ou perte de programmes, données ou autres informations mis en mémoire dans tous médias contenus dans le produit ou de tout produit ou pièce non-Philips non couvert par cette garantie. La réinstallation ou réinitialisation des programmes, données ou autres informations n'est pas couverte par cette garantie limitée.

Cette garantie ne s'applique pas (a) aux dommages causés par un accident, un abus, un mauvais usage, une négligence, une mauvaise application ou à un produit non-Philips; (b) aux dommages causés par un service réalisé par quiconque autre que Philips ou qu'un centre de service agréé de Philips; (c) à un produit ou pièce ayant été

Certains états ne reconnaissent pas l'exclusion ou la limitation de la responsabilité pour dommages indirects ou accessoires, ou autorisent des limitations sur la durée d'une garantie implicite, il est donc possible que les limitations ou exclusions mentionnées ci-dessus soient sans effet dans votre cas.

Cette garantie vous donne des droits légaux spécifiques. Il est possible que vous bénéficiez de droits supplémentaires variants d'un État/Province à l'autre.

Philips, P.O. Box 10313 Stamford, CT 06904

31 40 035 50221

ES

Felicidades por la adquisición y bienvenido a Philips Para sacar el mayor partido a la asistencia que proporciona Philips, registre el producto en **www.philips.com/welcome**.

Advertencia

- No quite nunca la carcasa de este aparato.
- No lubrique ninguna pieza de este aparato.
- No coloque nunca este aparato sobre otro equipo eléctrico.
- No exponga el aparato a la luz solar directa, al calor o a las llamas.
- Asegúrese de tener siempre un fácil acceso al cable de alimentación, al enchufe o al adaptador para desconectar el aparato de la corriente.
- No permita que los niños utilicen sin vigilancia aparatos eléctricos.
- No permita que los niños o adultos con capacidades físicas, sensoriales o mentales reducidas o personas con falta de experiencia/ conocimiento, utilicen aparatos eléctricos sin vigilancia.

Instrucciones de seguridad importantes

- Lea estas instrucciones.
- Guarde estas instrucciones.
- Preste atención a todas las advertencias.
- Siga todas las instrucciones.
- No use este aparato cerca del agua.
- Utilice únicamente un paño seco para la limpieza.
- No bloquee las aberturas de ventilación. Realice la instalación de acuerdo con las indicaciones del fabricante.
- No instale cerca ninguna fuente de calor como, por ejemplo, radiadores, rejillas de calefacción, hornos u otros aparatos que produzcan calor (incluidos los amplificadores).

- No omita la opción de seguridad que ofrecen los enchufes polarizados o con conexión a tierra. Un enchufe polarizado tiene dos conectores planos, uno más ancho que el otro. Un enchufe con conexión a tierra tiene dos conectores planos y un tercer conector de conexión a tierra. El conector plano más ancho y el tercer conector le ofrecen seguridad adicional. Si el enchufe suministrado no encaja correctamente en la toma de corriente, consulte a un electricista para cambiar el conector obsoleto.



Clavija polarizada de CA



© 2011 Koninklijke Philips Electronics N.V.

All rights reserved.

Download from Www.Somanuals.com - All Manuals Search And Download.

Free Manuals Download Website

<http://myh66.com>

<http://usermanuals.us>

<http://www.somanuals.com>

<http://www.4manuals.cc>

<http://www.manual-lib.com>

<http://www.404manual.com>

<http://www.luxmanual.com>

<http://aubethermostatmanual.com>

Golf course search by state

<http://golfingnear.com>

Email search by domain

<http://emailbydomain.com>

Auto manuals search

<http://auto.somanuals.com>

TV manuals search

<http://tv.somanuals.com>