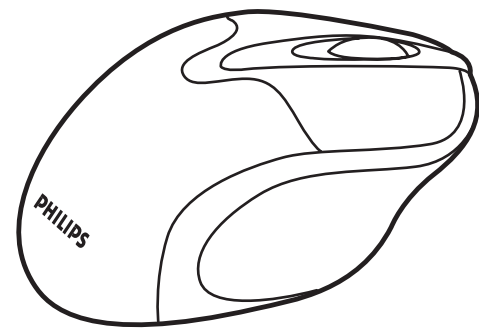


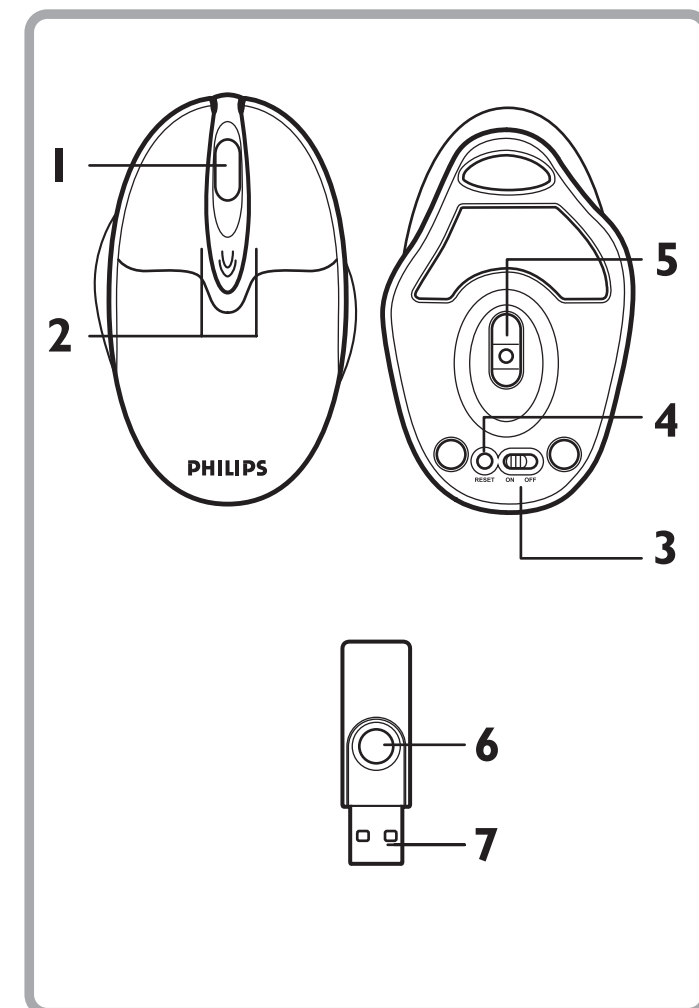
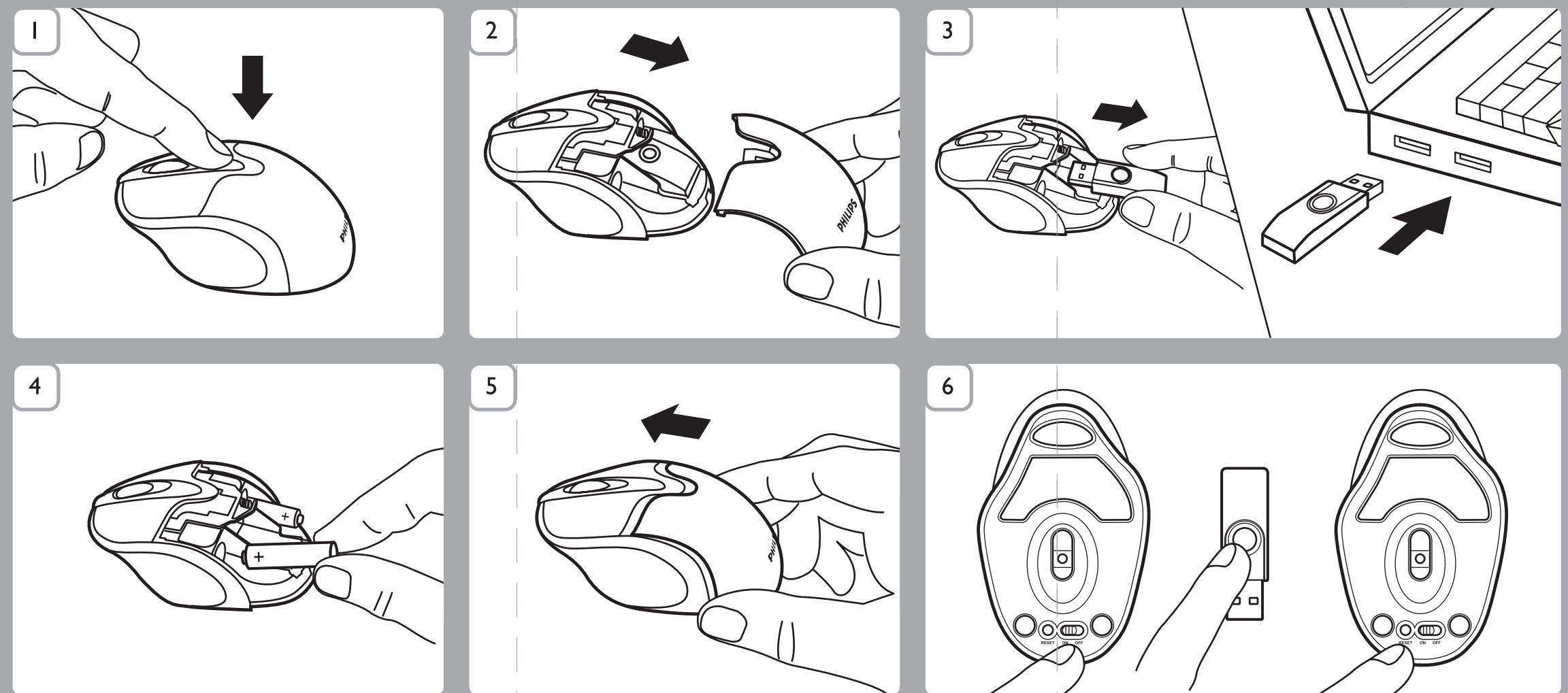
SPM5713

Notebook laser mouse
 Ratón para portátil láser
 Souris laser pour notebook

Instructions for use **English**
 Modo de empleo **Español**
 Instructions pour l'utilisation **Français**



PHILIPS



GB
Functional overview

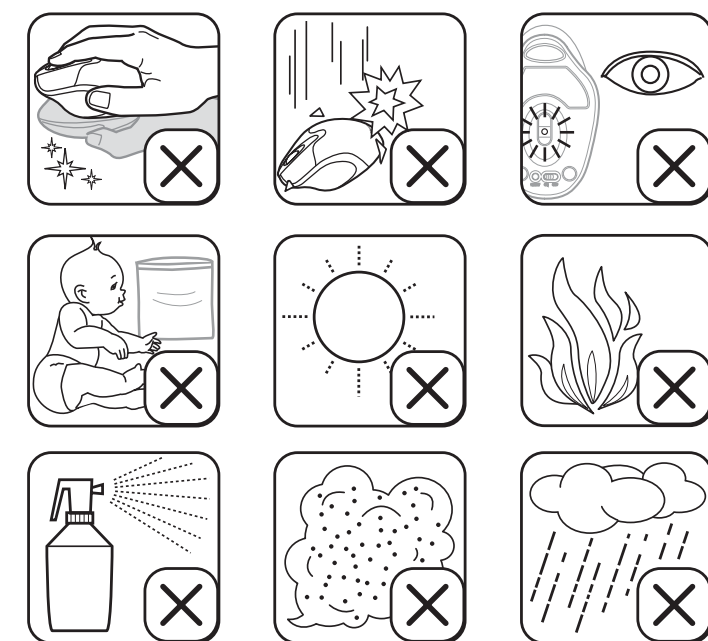
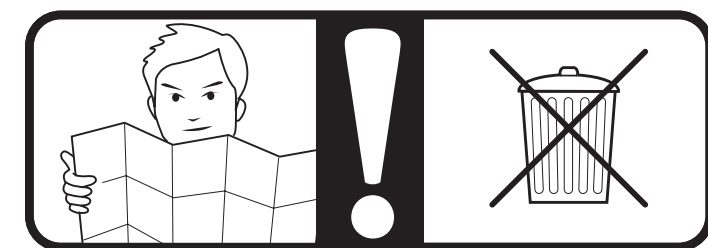
Mouse	Receiver
1 Scroll wheel	6 RESET button
2 Left and right click buttons	Connects the receiver to the mouse.
3 ON/OFF switch	7 USB connector
Switches the mouse On and Off.	Connects the receiver to the USB port.
4 RESET button	
Connects the mouse to the receiver.	
5 Laser sensor	

E
Resumen funcional

Ratón	Receptor
1 Control giratorio	6 Botón de reinicio
2 Botones de clic izquierdo y derecho	Conecta el receptor al ratón.
3 Interruptor de encendido/apagado	7 Conector USB
Enciende y apaga el teléfono.	Conecta el receptor al puerto USB.
4 Botón de reinicio	
Conecta el ratón al receptor.	
5 Sensor del ratón : láser	

F
Aperçu fonctionnel

Souris	Récepteur
1 Molette	6 Bouton de réinitialisation
2 Boutons droit et gauche de la souris	Branche le récepteur à la souris.
3 Interrupteur Marche/Arrêt	7 Connecteur USB
Pour mettre en marche ou arrêter la souris.	Connecte le récepteur au port USB.
4 Bouton de réinitialisation	
Branche la souris au récepteur.	
5 Capteur de la souris : Laser	



www.philips.com/welcome
 Data subject to change without notice
 Printed in China



Notebook laser mouse

SPM5713

Congratulations on your purchase and welcome to Philips!
To fully benefit from the support that Philips offers, register your product at www.philips.com/welcome

Health Warning

Improper work habits when using of a keyboard or mouse may result in discomfort or serious injury such as strain to your hands, wrists or other parts of your body.

Whether you are working or playing, it is important to avoid awkward postures and position your body comfortably. Not only can this improve your overall productivity, it may help you avoid MSDs (Musculoskeletal Disorders).

Changing your posture during extended tasks may also help you avoid discomfort and fatigue.

FCC compliance

The device complies with Part 15 of the FCC Rules. Operation is subject to the following two conditions:

- 1 this device may not cause harmful interference, and
- 2 this device must accept any interference received, including interference that may cause undesired operation.

Note!

This equipment has been tested and found to comply with the limits for a class B digital device, pursuant to Part 15 of the FCC Rules. These limits are designed to provide reasonable protection against harmful interference in a residential installation. This equipment generates, uses and can radiate radio frequency energy and, if not installed and used in accordance with the instructions, may cause harmful interference to radio communications.

However, there is no guarantee that interference will not occur in a particular installation. If this equipment does cause harmful interference to radio or television reception, which can be determined by turning the equipment off and on, the user is encouraged to try to correct the interference by one or more of the following measures:

FCC compliance

- Reorient or relocate the receiving antenna.
- Increase the separation between the equipment and receiver.
- Connect the equipment to an outlet on a circuit different from that to which the receiver is connected.
- Consult the dealer or an experienced radio/TV technician for help.

Any unauthorized modification to this equipment could result in the revocation of the authorization to operate the equipment.

NOTES: THE MANUFACTURER IS NOT RESPONSIBLE FOR ANY RADIO OR TV INTERFERENCE CAUSED BY UNAUTHORIZED MODIFICATIONS TO THIS EQUIPMENT. SUCH MODIFICATION COULD VOID THE USER'S AUTHORITY TO OPERATE THE EQUIPMENT.

EMF

Electric-, Magnetic and Electromagnetic Fields (EMF)

1. Philips Royal Electronics manufactures and sells many products targeted at consumers, which, like any electronic apparatus, in general have the ability to emit and receive electro magnetic signals.
2. One of Philips' leading Business Principles is to take all necessary health and safety measures for our products, to comply with all applicable legal requirements and to stay well within the EMF standards applicable at the time of producing products.
3. Philips is committed to develop, produce and market products that cause no adverse health effects.
4. Philips confirms that if its products are handled properly for their intended use, they are safe to use according to scientific evidence available today.
5. Philips plays an active role in the development of international EMF and safety standards, enabling Philips to anticipate further developments in standardization for early integration in its products.

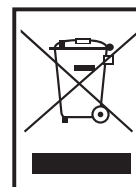
GB

Disposal of your old product

Your product is designed and manufactured with high quality materials and components, which can be recycled and reused.

When this crossed-out wheeled bin symbol is attached to a product it means the product is covered by the European Directive 2002/96/EC. Please inform yourself about the local separate collection system for electrical and electronic products.

Please act according to your local rules and do not dispose of your old products with your normal household waste. The correct disposal of your old product will help prevent potential negative consequences for the environment and human health.



System requirements

- Microsoft Windows® 2000, ME, XP, Vista Basic
- 1 x USB port

Problem: Mouse does not work

Tips

1. Fully complete steps 1 - 6.
2. Make sure the USB connector of your receiver is properly plugged into the computer's USB port.
3. If using a docking station or hub for a laptop computer, you may need to try another USB port located on the laptop itself.
4. Make sure your computer fulfills the minimum system requirement.

Problem: No reaction on the mouse

1. Ensure that you have inserted battery into the mouse
2. Check if the battery was inserted correctly
3. Repeat the installation process
4. Keep the mouse within a distance of 10 meter. When you are of reach establish the steps to connect the products.

Note:

The optical technology can precisely detect the mouse motion on most surfaces. Avoid using the mouse on any reflective, transparent metallic or complex-pattern surface.

E

Desecho del producto antiguo

El producto se ha diseñado y fabricado con materiales y componentes de alta calidad, que se pueden reciclar y volver a utilizar.

Cuando este símbolo de contenedor de ruedas tachado se muestra en un producto indica que éste cumple la directiva europea 2002/96/EC. Obtenga información sobre la recogida selectiva local de productos eléctricos y electrónicos.

Cumpla con la normativa local y no deseche los productos antiguos con los desechos domésticos. El desecho correcto del producto antiguo ayudará a evitar consecuencias negativas para el medioambiente y la salud humana.



Requisitos del sistema

- Microsoft Windows® 2000, ME, XP, Vista básico
- 1 puerto USB

Problema: El ratón no funciona

Sugerencias

1. Complete los pasos 1 - 6.
2. Asegúrese de que el conector USB del ratón esté correctamente conectado al puerto USB del ordenador.
3. Si utiliza una estación de anclaje o un concentrador con un ordenador portátil, puede que sea necesario utilizar uno de los puertos del portátil.
4. Asegúrese de que su ordenador cumple con los requisitos mínimos del sistema.

Problema:

1. Asegúrese de que ha insertado la batería en el ratón
2. Compruebe que la batería está insertada correctamente
3. Repita el proceso de instalación
4. Mantenga el ratón a una distancia inferior a 10 metros. Si está fuera de alcance, realice los pasos necesarios para conectar los productos.

Note:

La tecnología óptica puede detectar con precisión el movimiento del ratón en la mayoría de superficies. Evite utilizar el ratón para portátiles en superficies reflectoras, metálicas transparentes o con patrones complejos.

F

Mise au rebut des produits en fin de vie

Ce produit a été conçu et fabriqué avec des matériaux et composants recyclables de haute qualité.

Le symbole d'une poubelle barrée apposé sur un produit signifie que ce dernier répond aux exigences de la directive européenne 2002/96/EC. Informez-vous auprès des instances locales sur le système de collecte des produits électriques et électroniques en fin de vie.

Conformez-vous à la législation en vigueur et ne jetez pas vos produits avec les déchets ménagers. Seule une mise au rebut adéquate des produits peut empêcher la contamination de l'environnement et ses effets nocifs sur la santé.



Configuration requise

- Microsoft Windows® 2000, ME, XP, Vista Basic
- 1 port USB

Problème : La souris ne fonctionne pas

Conseils Tip

1. Complétez entièrement les étapes 1 - 6.
2. Assurez-vous que le connecteur USB de votre souris est correctement connecté au port USB de l'ordinateur.
3. Si vous utilisez une station d'accueil ou un concentrateur pour ordinateur portable, essayez un autre port USB sur l'ordinateur portable même.
4. Assurez-vous que votre ordinateur a la configuration système minimum requise.

Problème :

1. Assurez-vous d'avoir inséré la pile dans la souris
2. Vérifiez si la pile a été insérée correctement
3. Répétez le processus d'installation
4. Gardez la souris à une distance de 10 mètres. Lorsque vous êtes à la bonne distance, suivez les étapes pour connecter les produits.

Note:

La technologie optique détecte précisément le déplacement de la souris sur la plupart des surfaces. Évitez d'utiliser la souris pour notebook sur une surface réfléchissante, métallique transparente ou à forme complexe.

Free Manuals Download Website

<http://myh66.com>

<http://usermanuals.us>

<http://www.somanuals.com>

<http://www.4manuals.cc>

<http://www.manual-lib.com>

<http://www.404manual.com>

<http://www.luxmanual.com>

<http://aubethermostatmanual.com>

Golf course search by state

<http://golfingnear.com>

Email search by domain

<http://emailbydomain.com>

Auto manuals search

<http://auto.somanuals.com>

TV manuals search

<http://tv.somanuals.com>