

RD1011
ND1110

Ⓒ CD-player	4
Ⓕ Lecteur de CD	6
Ⓖ CD-speler	8
Ⓘ Lettore CD	10

English.....4

Illustrations.....28

GB

Français.....10

Illustrations.....28

F

Nederlands.....16

Afbeeldingen.....28

NL

Italiano.....22

Illustrazioni.....28

I

English

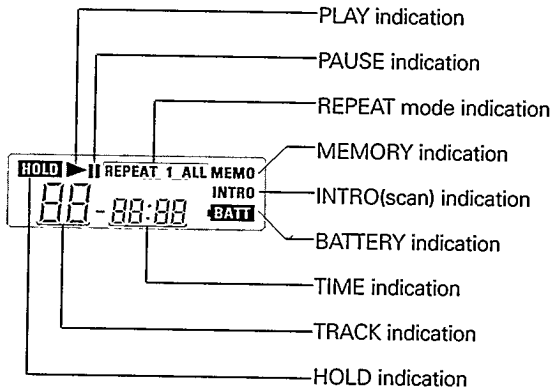
GB

ACCESSORIES

- High quality stereo headphones, fig.3
- Connection cord, fig.4
- AC/DC mains adaptor, fig.5
- Carrying strap, fig.6

DISPLAY

The display gives information about the functioning of the player:



BATTERIES



- Open the battery door and insert as indicated four (preferably Alkaline) batteries, type R6, UM3 or AA-cells. You may also use rechargeable Nickel-Cadmium batteries.
- Remove the batteries if exhausted or if they are not to be used again for a long period.
- If **BATT** flashes in the display, the batteries are weak.
- If **BATT** lights up continuously, the battery voltage is too low and the CD player will soon shut down.
- The battery supply is switched off when the 6 V DC socket is in use. When changing over to battery supply, pull out the plug from the 6 V DC socket.
- To switch off the set, place the POWER selector to position OFF.

MAINS ADAPTER

At home, you can use the mains adapter, delivering 6V/550 mA Direct Current, $\diamond \rightarrow \diamond$, plus-pole \diamond to the centre pin.

- Connect the mains adapter to the 6 V DC socket and the wall socket.
- Remove the mains adapter from the wall socket when the CD player is not in use.

CONNECTIONS

Headphone socket PHONES: For headphones (or mini loudspeakers) with 3.5 mm plug.

LINE OUT socket: For CD reproduction at home through your stereo system (amplifier, receiver, recorder, etc.):

- Use the connection cord to connect the socket LINE OUT to the input sockets LINE IN, AUX or CD IN of the other set.
- Adjust the sound with the controls of the stereo system.

English

HOLD

GB

When carrying the player with you, you can slide the POWER switch to HOLD. While playing a CD, the word **HOLD** appears on the display. The CD-player buttons are then inoperative. The playing of a CD will not now be interrupted when a button is accidentally touched. For normal operation, slide back the HOLD switch. The word **HOLD** disappears.

PLAYING A CD

- Set the POWER switch to ON. The display shows '0'
- Connect headphones to the PHONES socket.
- Press OPEN to open the CD cover.
- Insert the CD, printed side facing up and close the cover.
The CD-player scans the contents list of the disc. The display shows the total playing time and the number of tracks on the disc.
After 5 seconds '0' appears in the display.
- Start playback by pressing PLAY ▷. As soon as playback starts, the display shows the corresponding track number and the elapsed playing time.
- Adjust the sound with the VOLUME control and the BASS BOOST switch.
- For brief interruptions, press PAUSE ⏸; the time starts flashing.
To continue playback, press PAUSE ⏸ again.
- To stop playback, press STOP □. The display will show '0'.
- The CD player also goes to position STOP:
 - when the end of the CD is reached;
 - when the CD cover is opened;
 - if the batteries run down or if the power supply is interrupted in another way.
- Open the CD cover only if the CD player is in STOP position.
- To switch off the set, place the POWER selector to position OFF.

Remarks

- If the batteries are exhausted, the CD player will not function normally, e.g. it will not start. Replace the batteries or use the mains adapter.
- If after pressing PLAY ▷, the CD-player does not function, this means that the CD player cannot read the CD. Possible causes are:
 - 1 You inserted the CD upside down;
 - 2 The CD is badly scratched or dirty, see 'Maintenance';
 - 3 The lens (⊗) is steamed up, see 'Maintenance';
 - 4 The batteries are exhausted.



PREVIOUS/NEXT

During PLAY: ▷▷ - go to the next title

- You can jump to the next title by briefly pressing SKIP ▷▷ once.
- If you want to skip more than one track, then briefly press SKIP ▷▷ more than once until the display shows the desired track number.

During PLAY: ◀◀ - go to the previous title

- If you want to repeat the current title from the beginning, briefly press SKIP ◀◀ once.
- If you want to repeat one of the previous titles, briefly press SKIP ◀◀ more than once until the display shows the required track number.

In STOP mode with a CD inserted

- You can select the title by pressing SKIP ◀◀ and ▷▷ briefly, once or more than once, until the display shows the required track number.

SEARCH

Search during PLAY

- During PLAY, keep SEARCH ▷▷ for search forwards and SEARCH ◀◀ for search backwards pressed. The CD is played partially and at high speed, however, the sound is still recognizable. Release the button as soon as you recognize the required passage: the CD will be played normally from this passage onwards.

English

GB

INTROSCAN / REPEAT

By pressing the MODE button several times, all play modes will successively appear in the display:

- 1x MODE; **REPEAT 1** appears - to repeat the actual title continuously.
- 2x MODE; **REPEAT ALL** appears - to repeat the CD continuously.
- 3x MODE; **INTRO** appears - to play the first few seconds of each track.
- 4x MODE (no display indication) - to cancel the INTRO and REPEAT mode.

PROGRAMMING

– You can programme 20 CD tracks into the memory.

- Ensure that the HOLD function is switched off, otherwise the CD player buttons will not operate.
- Connect headphones to the PHONES socket.
- Press OPEN to open the CD cover.
- Insert the CD, printed side facing up and close the cover.
The CD-player scans the contents list of the disc. The display shows the total playing time and the number of tracks on the disc.
After 5 seconds '0' appears in the display.
- Press MEMORY. **MEMO** flashes in the display.
'P - !' appears in the display to indicate that you can program the first title.
- Program the desired track (in position STOP):
 - 1 Select the track to be programmed by pressing the buttons **◀** or **▶**
 - 2 Press MEMORY again to store the track into the memory.
- Repeat these two steps for each track you want to programme.
- Press **▶** to play the programmed selection.
- Adjust the sound with the VOLUME control and the **BASS BOOST** switch.
- Press the **STOP** **□** button 2x to cancel the programme.

MAINTENANCE

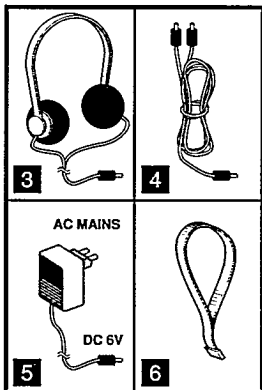
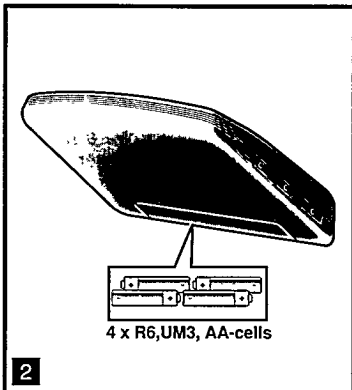
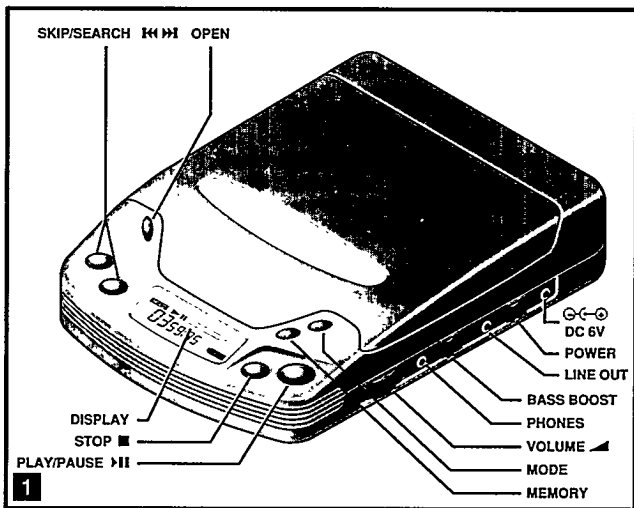


- *Avoid excessive heat (maximum 50 °C), e.g. from the car heating or from direct sunshine, e.g. when parking in the sun.*
- *Do not expose the set, batteries or CD's to rain or moisture.*
- *Keep the set and the CD's away from sand.*
- *The mechanism of the CD player is fitted with self-lubricating bearings and therefore must not be oiled or greased.*
- *Fingerprints, dust and dirt on the apparatus can be removed using a soft, clean and slightly damp leather cloth. Cleaning agents may damage the cabinet.*
- *The lens (X) should never be cleaned.*
- *The lens may steam up when the set is taken from a cold into a warm environment. Playing a CD is then not possible. Do not clean the lens, but let the set acclimatize for a while.*
- *Always pick up the CD by the edge and put it back in its box immediately after use.*
- *To remove dirt from a CD, first breathe on the CD and wipe it off in a straight line from centre to edge using a soft, lint-free cloth. The use of cleaning agents may damage the CD.*

USE YOUR HEAD WHEN USING HEADPHONES

- **Hearing safety:** Do not play your headphones at a high volume. Hearing experts advise against continuous extended play. If you experience a ringing in your ears, reduce the volume or discontinue use.
- **Traffic safety:** Do not use headphones while driving a vehicle. It may create a traffic hazard and it is illegal in many countries. Even if your headphones are an open-air type designed to let you hear outside sounds, do not turn up the volume so high that you cannot hear what is going on around you.

This product complies with the radio interference requirements of the European Community.



Free Manuals Download Website

<http://myh66.com>

<http://usermanuals.us>

<http://www.somanuals.com>

<http://www.4manuals.cc>

<http://www.manual-lib.com>

<http://www.404manual.com>

<http://www.luxmanual.com>

<http://aubethermostatmanual.com>

Golf course search by state

<http://golfingnear.com>

Email search by domain

<http://emailbydomain.com>

Auto manuals search

<http://auto.somanuals.com>

TV manuals search

<http://tv.somanuals.com>