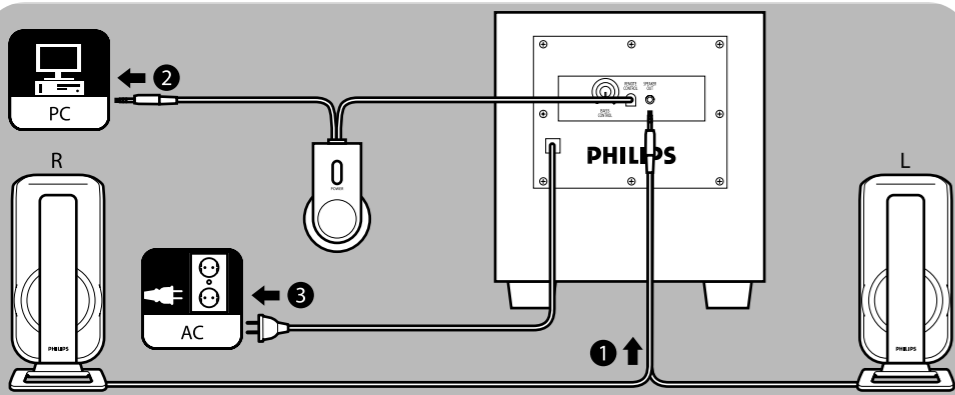
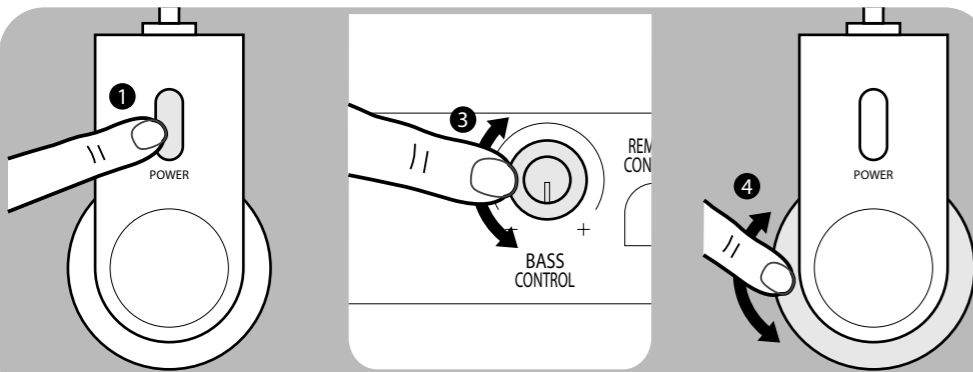


## 1 Connect



1. Connect the satellites to the **SPEAKER OUT** port of the subwoofer.
2. Connect the green part of the wired remote control to the corresponding port of your audio source (for example, your computer).
3. Connect the mains cable to a power supply.

## 2 Enjoy



1. Push the **POWER** button on the wired remote control to turn on the multimedia speakers.  
> *The blue light on the wired remote control comes on.*
2. Make sure that your audio source is correctly configured.
3. Adjust the bass level with the **BASS CONTROL** on the rear of the subwoofer.
4. Adjust the volume level with **VOLUME** control on the wired remote control.  
> *You can now enjoy the sound of your multimedia speakers.*



Need help?  
Online help: [www.philips.com/support](http://www.philips.com/support)

Helpline

United Kingdom 0906 1010 016 (£ 0.15)

EN Multimedia Speaker

SPA3300

# Welcome

## Quick start guide

1 Connect  
2 Enjoy



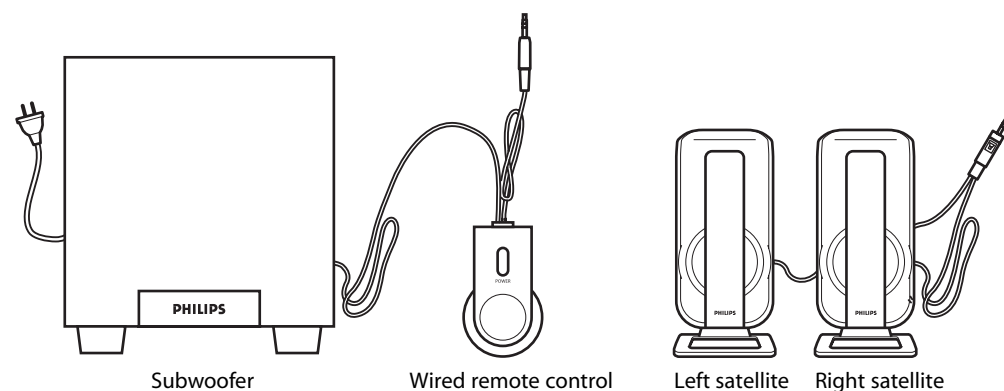
# PHILIPS

Specifications are subject to change without notice.  
Trademarks are property of Koninklijke Philips Electronics N.V. or their respective owners.  
2005 © Koninklijke Philips Electronics N.V. All rights reserved.

[www.philips.com](http://www.philips.com)

312 247 501 046

## What's in the box?



Subwoofer

Wired remote control

Left satellite

Right satellite



Quick Start guide



Warranty

### What else you'll need



Computer

Or



Notebook

Or

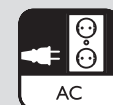


MP3 Player

Or



Other audio source




Power supply

## Important Safety Instructions

### For US/Canada only

This product was designed and manufactured to meet strict quality and safety standards. There are, however, some installation and operation precautions which you should be particularly aware of.

- 1 Read these instructions - All the safety and operating instructions should be read before the appliance is operated.
- 2 Keep these instructions - The safety and operating instructions should be retained for future reference.
- 3 Heed all warnings - All warnings on the appliance and in the operating instructions should be adhered to.
- 4 Follow all instructions - All operating and use instructions should be followed.
- 5 Do not use this apparatus near water - for example, near a bathtub, washbowl, kitchen sink, laundry tub, in a wet basement or near a swimming pool, etc.
- 6 Clean only with a damp cloth. The appliance should be cleaned only as recommended by the manufacturer.
- 7 Install in accordance with the manufacturer's instructions. Do not block any of the ventilation openings. For example, the appliance should not be situated on a bed, sofa, rug, or similar surface or placed in a built-in installation, such as a bookcase or cabinet that may impede the flow of air through the ventilation openings.
- 8 Do not install near any heat sources such as radiators, heat registers, stoves, or other apparatus (including amplifiers) that produce heat.
- 9 Do not defeat the safety purpose of the polarized or grounding-type plug. A polarized plug has two blades with one wider than the other. Match wide blade of plug to wide slot, fully insert. A grounding type plug has two blades and a third grounding prong. The wide blade or the third prong are provided for your safety. When the provided plug does not fit into your outlet, consult an electrician for replacement of the obsolete outlet.
- 10 Protect the power cord from being walked on or pinched particularly at plugs, convenience receptacles, and the point where they exit from the apparatus.
- 11 Only use attachments/accessories specified by the manufacturer.
- 12  Use only with a cart, stand, tripod, bracket, or table specified by the manufacturer, or sold with the apparatus. When a cart is used, use caution when moving the cart/apparatus combination to avoid injury from tip-over.
- 13 Unplug this apparatus during lightning storms or when unused for long periods of time.
- 14 Refer all servicing to qualified service personnel. Servicing is required when the apparatus has been damaged in any way, such as power-supply cord or plug is damaged, liquid has been spilled or objects have fallen into the apparatus, the apparatus has been exposed to rain or moisture, does not operate normally, or has been dropped.
- 15 Warning! To reduce the risk of fire or electric shock, do not expose this appliance to rain or moisture.

The socket-outlet shall be installed near the equipment and shall be easily accessible.

## Important notes

### For United Kingdom only

#### Mains plug

This apparatus is fitted with an approved 13 Amp plug. To change a fuse in this type of plug proceed as follows:

- 1 Remove fuse cover and fuse.
- 2 Fix new fuse, which should be a BS1362 5 Amp, A.S.T.A. or BSI approved type.
- 3 Refit the fuse cover.

If the fitted plug is not suitable for your socket outlets, it should be cut off and an appropriate plug fitted in its place. If the mains plug contains a fuse, this should have a value of 5 Amp. If a plug without a fuse is used, the fuse at the distribution board should not be greater than 5 Amp.

The severed plug must be disposed of to avoid a possible shock hazard should it be inserted into a 13 Amp socket elsewhere.

#### How to connect a plug

The wires in the mains lead are coloured with the following code:

blue = neutral (N), brown = live (L). As these colours may not correspond with the colour markings identifying the terminals in your plug, proceed as follows:

- Connect the blue wire to the terminal marked N or coloured black.
- Connect the brown wire to the terminal marked L or coloured red.
- Do not connect either wire to the earth terminal in the plug, marked E or coloured green (or green and yellow).

Before replacing the plug cover, make certain that the cord grip is clamped over the sheath of the lead - not simply over the two wires.

#### Copyright

Recording and playback of material may require consent. See Copyright Act 1956 and The Performer's Protection Acts 1958 to 1972.

## Disposal

Your product is designed and manufactured with high quality materials and components, which can be recycled and reused. Please inform yourself about the local separate collection system for electrical and electronic products, including those marked by the crossed-out wheely bin symbol. Please act according to your local rules and do not dispose of your old products with your normal household waste



## Free Manuals Download Website

<http://myh66.com>

<http://usermanuals.us>

<http://www.somanuals.com>

<http://www.4manuals.cc>

<http://www.manual-lib.com>

<http://www.404manual.com>

<http://www.luxmanual.com>

<http://aubethermostatmanual.com>

Golf course search by state

<http://golfingnear.com>

Email search by domain

<http://emailbydomain.com>

Auto manuals search

<http://auto.somanuals.com>

TV manuals search

<http://tv.somanuals.com>