

# Table of Contents

FCC Compliancy	2
What Does the iPronto Box Contain?	3
About the iPronto Documentation	4
About the iPronto	5
Installing the Wireless LAN Adapter	8
Installing and Recharging the Battery	10
Installing	10
Recharging	13
Getting the iPronto Up and Running	14
Setting up Your iPronto	15
Setting up Your Network	20
Using the iPronto	27
The Touch Screen	27
The Status Display	27
The iPronto's External Controls	28
The Ports	29
Navigating the iPronto	30
The Keyboard	33
The Remote Control	35
How Does the iPronto RC Work?	36
Learning IR Codes	38
Using iProntoEdit	41
The Browser	43
Setting the Home Page	44
Entering a URL	45
The Electronic Program Guide	46
Registration	49
Troubleshooting	54
Index	58

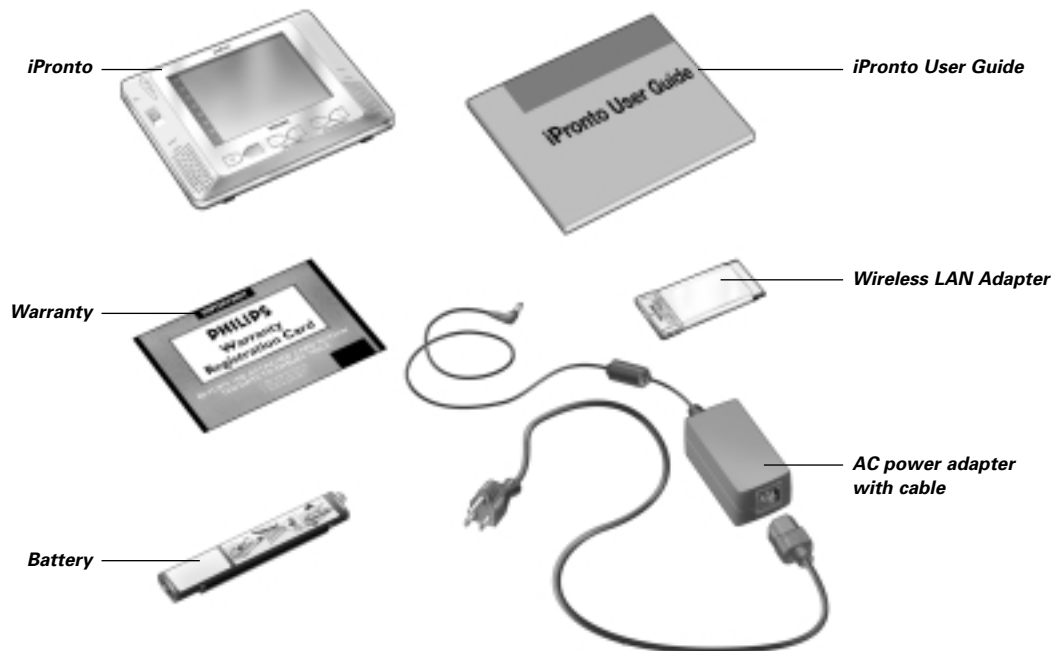
## ***FCC Compliancy***

This equipment has been tested and found to comply with the limits for a Class B digital device, pursuant to part 15 of the FCC rule. These limits are designed to provide reasonable protection against harmful interference in residential installations. This equipment generates, uses, and can radiate radio frequency energy and, if not installed and used in accordance with the instructions, may cause harmful interference to radio communications. However, there is no guarantee that interference will not occur in a particular installation. If the equipment does cause harmful interference to radio or television reception, which can be determined by turning the equipment off and on, the user is encouraged to try to correct the interference by one or more of the following measures:

- Reorient or relocate the receiving antenna.
- Increase the separation between the equipment and receiver.
- Connect the equipment into an outlet on a different circuit from the receiver.
- Consult the dealer or an experienced radio/TV technician for help.

# What Does the iPronto Box Contain?

The iPronto box contains the following items:



## *About the iPronto Documentation*

The iPronto documentation consists of two parts:

- This **iPronto User Guide**. This guide is meant to help you **set up** and **start using** the iPronto.
- The **iPronto Online Help**. The iPronto Online Help contains **complete information** on how to use the iPronto remote control and its extra features. You can find the iPronto Online Help on <http://www.pronto.philips.com/products/ipronto/help/>

Wirelessly connected to the Internet, the iPronto is a must-have for your home entertainment experience. With its **dashboard** you can easily access all iPronto's applications. The dashboard offers access to three basic applications: the remote control, the Electronic Program Guide and the Browser, however, you can add new applications to the dashboard.

With iPronto's **universal remote control** you can operate almost all your devices, as long as they understand IR (infrared) signals. And because of its intuitive interface, iPronto is easy to use for everybody.

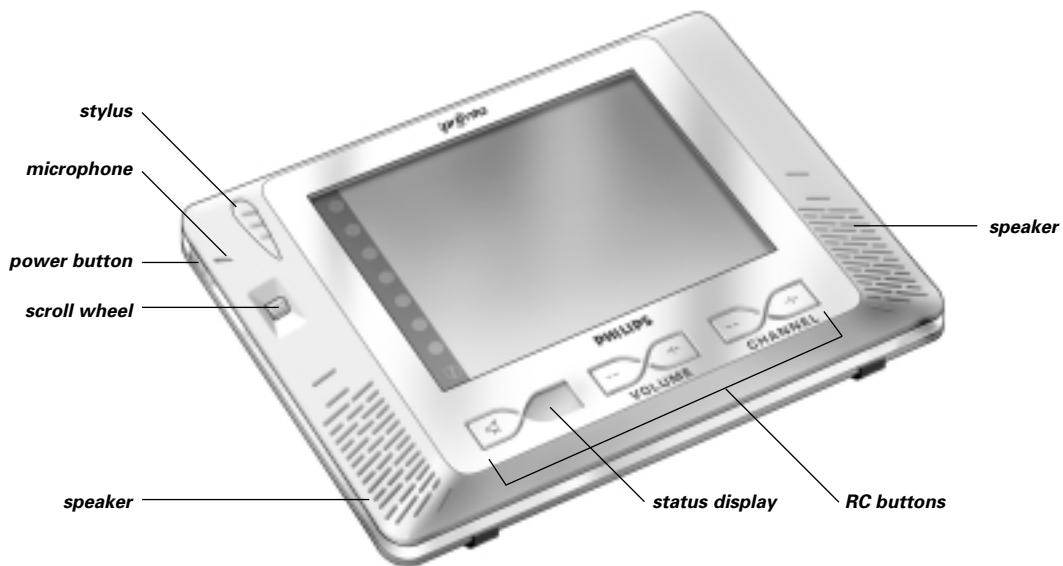
But iPronto is not only a remote control: it also has an **Electronic Program Guide**. Without any effort you always have an up-to-date and customizable Program Guide for your favorite channels. What makes this Electronic Program Guide so unique is its direct interaction with the iPronto's remote control. No more wading through pages of program guides.

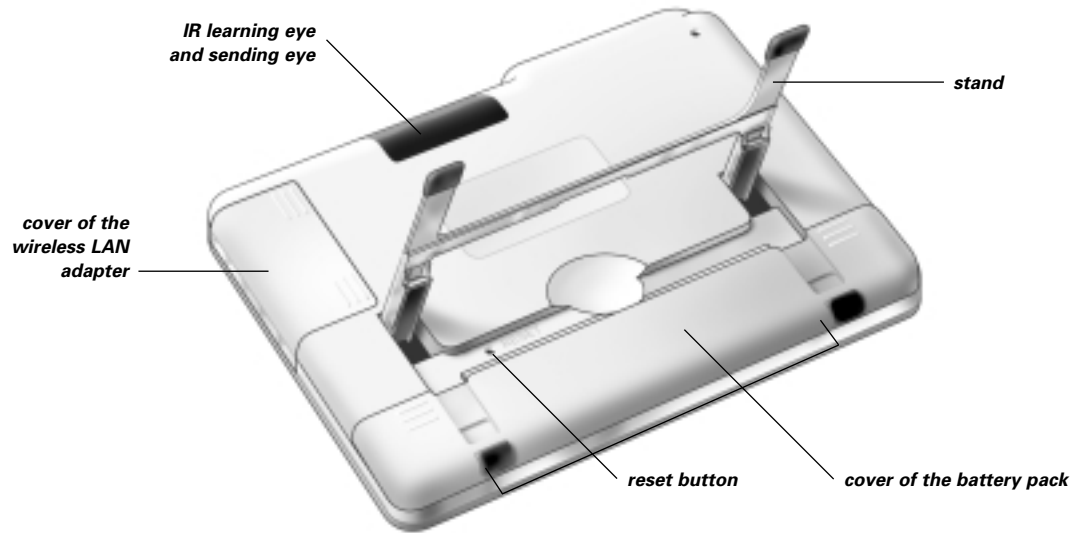
Get the information you want fast and start watching your programs immediately by tapping one single button. You are watching TV and would like to see sports shows? Using the EPG, you only need one button press to surf through the channels that are broadcasting sports at this particular moment.

The iPronto is also provided with easy **Internet browsing functionality**. With the browser application it is now possible to connect to the Internet while you sit back and relax in front of your TV.

## About the iPronto

The iPronto consists of several parts:





This User Guide is meant to help you set up and start using your iPronto. For detailed information on using the various iPronto applications please refer to the iPronto Online Help. If you follow the flow of the chapters in this guide, you will have your iPronto up and running in no time. You find information about:

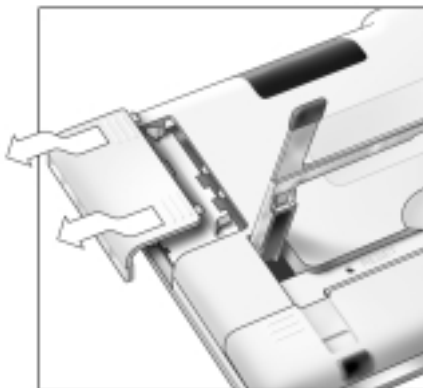
- *Installing the Wireless LAN Adapter* on page 8;
- *Installing and Recharging the Battery* on page 10;
- *Getting the iPronto Up and Running* on page 14;
- *Using the iPronto* on page 27;
- Using the iPronto's basic applications: *The Remote Control* on page 35, *The Browser* on page 43 and *The Electronic Program Guide* on page 46;
- *Troubleshooting* on page 54.

# Installing the Wireless LAN Adapter

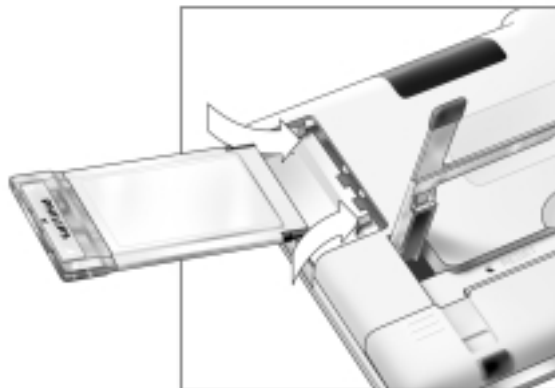
In a wireless network, the Wireless Access Point (WAP) is the last point that is connected to your network with wires. To communicate with your iPronto, the WAP sends out RF (radio frequency) signals, which spread in all directions. The iPronto's Wireless LAN Adapter (also called PCMCIA card) receives these RF signals and sends RF signals back to the WAP.

The first thing you do when you take your iPronto out of the box, is installing this Wireless LAN Adapter. In the following illustrations you see how the installation works:

- 1** Open the Wireless LAN Adapter cover by pushing in the grips and sliding off the cover in the direction indicated below (figure 1).
- 2** Insert the Wireless LAN Adapter in the socket, as indicated below (figure 2).



**Figure 1**

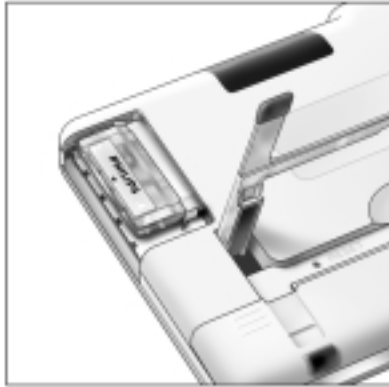


**Figure 2**



## Installing the Wireless LAN Adapter

- 3 Put the Wireless LAN Adapter in the correct position and close the cover.



**Note** Do not install any other adapter. Do not remove the Wireless LAN Adapter when the iPronto is activated. After the Wireless LAN Adapter is installed, there is no need to remove it. It can permanently be left inside the iPronto.

# Installing and Recharging the Battery

## Installing

After installing the Wireless LAN Adapter, you install the battery. The battery is precharged, but it is advisable to charge the battery for three hours when you start using the iPronto. See *Recharging* on page 13.

Insert the battery as follows:

- 1 Lift the stand (figure 1).
- 2 Open the battery cover by pushing the grips and sliding off the cover in the direction indicated below (figure 2).



Figure 1



Figure 2

## Installing and Recharging the Battery

- 3 Attach the battery connector to the provided socket (figure 3).
- 4 Put the right-hand side of the battery under the provided hook (figure 4).



**Figure 3**



**Figure 4**

## *Installing and Recharging the Battery*

- 5 Push the left side of the battery down into its place.



- 6 Close the battery cover.

## Recharging

---

The iPronto is provided with a power adapter to recharge the battery. When the battery is low, it takes about two hours to recharge. After three hours, recharging is automatically stopped. On first usage, it is advisable to recharge the battery for the full three hours. The iPronto can be used when it is recharging.

In order to keep the battery in the best condition, it is best to recharge it frequently. It is advised to recharge before the battery is empty, otherwise you might lose some of your settings. In normal use, recharge every 2 days. When you use the iPronto very frequently, recharge every day. In this illustration you see how to plug in the power adapter:



The first time you put the battery in the iPronto, the iPronto will start up automatically and guide you to the System Settings. This may take 1 to 2 minutes. Continue with the next chapter, *Getting the iPronto Up and Running*, to adjust the settings.

# Getting the iPronto Up and Running

This chapter is divided in two parts. In the first part, *Setting up your iPronto*, you read how to define the general settings. In the second part, *Setting up your Network*, you read how to set up your wireless network and internet connection.

The first time you activate your iPronto, it will lead you through some initial screens and messages. After these messages the System Settings will **automatically** appear on the screen. The settings are divided into four tabs:



**System Settings**

- **General:** On this tab you adjust general settings and you can check your battery status and network signal strength. See *Setting up Your iPronto* on page 15.
- **Wireless:** On this tab you set the wireless network settings. You need to set these settings so the iPronto can be connected to your network and to the Internet. See *Wireless Network Settings* on page 21.
- **Network:** On this tab you set your Internet connection settings. See *Internet Settings* on page 23.
- **About:** On this tab you read information about licence terms and agreements. A button for downloading new software from the Internet is also located on this tab. If you tap the button, the iPronto will check if updates of your software are available. When there are updates available, you can download them from the Internet immediately.

**Note** While adjusting the System Settings, it is useful to operate the touch screen with the stylus. See *The Touch Screen* on page 27 for more information.

## Setting up Your iPronto

After installing the Wireless LAN Adapter and the battery, you need to calibrate your touch screen and define the settings on your iPronto, such as time and date, brightness, time out and so on. These settings are necessary to make your iPronto function properly.

The first time you activate your iPronto, the System Settings will **automatically** appear on the screen. To access the System Settings later, follow this procedure:

- 1 Press and hold the scroll wheel for 5 seconds.  
The page turns to its flipside.
- 2 To exit the System Settings, press and hold the scroll wheel for 5 seconds.  
The page turns to its normal view.

# Getting the iPronto Up and Running

## Calibrating the Touch Screen

On first use, you need to calibrate the touch screen of your iPronto. By calibrating, you improve the accuracy of the touch screen.

- 1 Select the **General** tab in the System Settings.
- 2 Tap the **Calibrate touchscreen** button.  
The **Calibration** screen appears.
- 3 Follow the instructions that the iPronto provides.  
When calibration has succeeded, you hear a success beep.

## Adjusting the Time

- 1 Select the **General** tab in the System Settings.
- 2 In the **Time** section, select the **Hours** box.  
The selection appears with a highlighted border.
- 3 Use the **+** and **-** buttons to change the hour.
- 4 In the **Time** section, select the **Minutes** box.  
The selection appears with a highlighted border.
- 5 Use the **+** and **-** buttons to change the minutes.
- 6 In the **Time** section, select the **AM/PM** box.  
The selection appears with a highlighted border.
- 7 Use the **+** and **-** buttons to change AM or PM.



## Adjusting the Date

- 1 Select the **General** tab in the System Settings.
- 2 In the **Date** section, select the **Days** box.  
The selection appears with a highlighted border.
- 3 Use the **+** and **-** buttons to change the day.
- 4 In the **Date** section, select the **Months** box.  
The selection appears with a highlighted border.
- 5 Use the **+** and **-** buttons to change the month.
- 6 In the **Date** section, select the **Years** box.  
The selection appears with a highlighted border.
- 7 Use the **+** and **-** buttons to change the year.

## Adjusting the Timezone

You need to set the timezone to enable your Electronic Program Guide to display the correct data at the right time.

- 1 Select the **General** tab in the System Settings.
- 2 Select the **Timezone** dropdown list.  
A list of all timezones appears.
- 3 Select your timezone from the dropdown list.

# Getting the iPronto Up and Running

## Adjusting the Brightness

You can set the brightness of the touch screen in 16 intervals.

- 1 Select the **General** tab in the System Settings.
- 2 In the **LCD Brightness** section, use the + and – buttons to set the brightness.

## Adjusting the Power off Time Out

### *Time Out when iPronto is running on the battery*

- 1 Select the **General** tab in the System Settings.
- 2 In the **LCD power off when running on batteries** section, use the + and – buttons to set the LCD time out. You can choose a time out between 30 seconds and 15 minutes.

### *Time Out when iPronto is plugged into the power adapter*

- 1 Select the **General** tab in the System Settings.
- 2 In the **LCD power off when plugged in** section, use the + and – buttons to set the LCD time out. You can choose a time out between 30 seconds and 15 minutes, or you can choose to always leave the display on.

## ■ Adjusting the Wake up Conditions

You can wake up a sleeping iPronto in several ways.

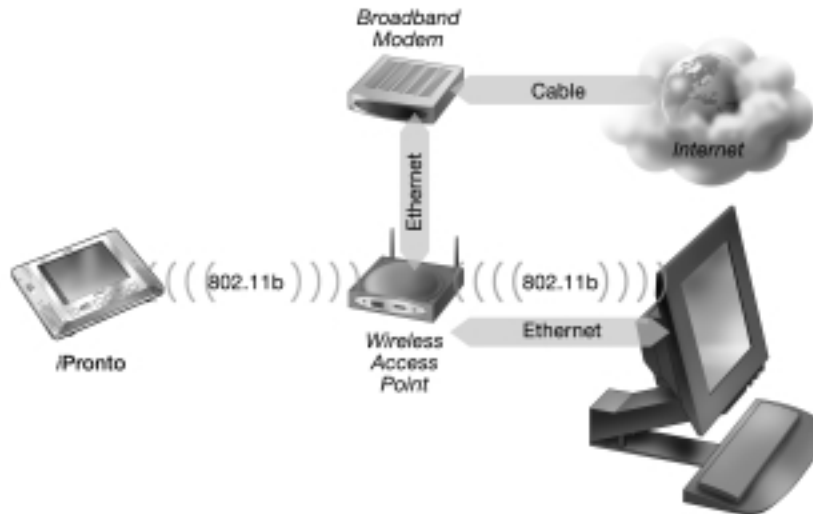
- 1 Select the **General** tab in the System Settings.
- 2 In the **Wake up on** section, select:
  - **Power Button & Touch & Tilt** to wake up the iPronto when the Power Button is pressed, when the screen is tapped or when the iPronto is tilted.
  - **Power Button & Touch** to wake up the iPronto when the Power Button is pressed or when the screen is tapped.
  - **Power Button** to wake up the iPronto only when the Power Button is pressed.

# Getting the iPronto Up and Running

## Setting up Your Network

After adjusting the settings in the **General** tab, you have to set your wireless network settings and Internet settings in the **Wireless** and **Network** tabs. These settings depend on the kind of configuration you have in your home. You can find an overview of different kinds of configurations in the iPronto Online Help at <http://www.pronto.philips.com/products/ipronto/help/>.

In the illustration below you see an example of a configuration.



*Example of a Configuration*

## Wireless Network Settings

After setting the general settings, you need to set the wireless network settings. This is needed so your iPronto can connect to your home network and to the Internet, and to communicate with iProntoEdit. The Wireless Access Point (WAP) sends out RF (radio frequency) signals to the iPronto's Wireless LAN Adapter. The iPronto must use the same wireless settings as the WAP.

How to set up your WAP on the iPronto, depends on the configuration you have in your home:

- Your iPronto is connected to a **network with a PC**: You can read and modify information about your WAP settings on your PC.
- Your iPronto is connected to a **network without a PC**: You can read information about the WAP settings in your WAP manual.



**Wireless tab of the System Settings**

## Getting the iPronto Up and Running

Follow these steps to set your wireless network settings.

- 1 Press and hold the scroll wheel for 5 seconds to display the System Settings.
- 2 Select the **Wireless** tab in the System Settings.
- 3 To change the default name of the **Service Set Identifier**, enter the new name in the Service Set Identifier text box.  
To obtain information on this, consult your WAP manual or the WAP configuration on your PC.
- 4 If encryption is enabled in your wireless network, select the correct encryption in the **Wireless Network Encryption** section:
  - none;
  - 64 bit;
  - 128 bit.To obtain information on this, consult your WAP manual or the WAP configuration on your PC.
- 5 If encryption is enabled in your wireless network, enter your **Encryption pass phrase** in the Encryption pass phrase text box.  
The **Encryption key** text box is automatically filled in.

## Internet Settings



### **Network tab of the System Settings**

The Internet settings determine how your iPronto will connect to the Internet.

**Note** You can find information about your Internet settings on your PC. If you do not have a PC, you can obtain Internet settings information from your Internet Service Provider.

You can set the Internet settings as follows:

- 1 Press and hold the scroll wheel for 5 seconds to display the System Settings.
- 2 Select the **Network** tab in the System Settings.
- 3 To change the default name of the iPronto, enter the name in the **iPronto host name** text box. The host name will be visible when you are using iProntoEdit. Make the iPronto host name as meaningful as possible. You can use a maximum of 64 characters.

Download from [www.Somanuals.com](http://www.Somanuals.com). All Manuals Search And Download.

# Getting the iPronto Up and Running

After entering the iPronto host name, you determine the type of IP address you use. An IP address is a number that identifies you on the Internet. You have two options:

- **Use DHCP** (Dynamic Host Configuration Protocol). Your iPronto's IP address will be assigned by the DHCP server.
- **Use a fixed IP address.** You have only one IP address that is always assigned to your iPronto and that never changes.

## *If you use DHCP*

- 1 In the **Network Configuration** section, select **Use DHCP**.

The IP address, Subnet mask, Default gateway, Local domain name, DNS1 and DNS2 text boxes are automatically filled in. You can manually modify the DNS1 and DNS2 text boxes.



*Selecting DHCP*

## *If you wish to use a fixed IP address*

**Note** *When you have a fixed IP address, you can find the information you need to adjust the Internet settings (IP address, Subnet mask, Default gateway, Local domain name and DNS) in your home network configuration.*

- 1 In the **Network Configuration** section, select **Fixed IP**.



*Selecting Fixed IP*



- 2 In the **IP address** text box, enter the IP address you wish to use.
- 3 In the **Subnet mask** text box, enter your Subnet mask.
- 4 In the **Default gateway** text box, enter your Default gateway.
- 5 In the **Local domain name** text box, enter your Local domain name.
- 6 In the **DNS1** and **DNS2** text boxes, enter the DNS servers you wish to use.

### ***Proxy***

When, in addition, you use a proxy server in your home network or at the Internet Service Provider, you have to adjust the Proxy settings.

- 1 Select the **Use HTTP Proxy** checkbox.  
The **Proxy Address** and **Proxy Port** text boxes and the **Use Password Authentication** section are activated.
- 2 In the **Proxy Address** text box, enter the IP address of the Proxy server.
- 3 In the **Proxy Port** text box, enter the Proxy port.
- 4 If your Proxy uses password authentication, select the **Use Password Authentication** checkbox.  
The **Username** and **Password** text boxes are activated.
  - 1 In the **Username** text box, enter your username.
  - 2 In the **Password** text box, enter your password.

## Testing the Network Connection

After setting the network settings, you can test whether the iPronto is able to communicate with your network and with the Internet:

- 1** Press layout button 8 (at the bottom) in the touchstrip.  
If all settings are correct, the home page of the iPronto site page appears.
- 2** If the iPronto site does not appear, recheck the settings in this chapter or go to *Troubleshooting* on page 54.

After setting the wireless network settings and Internet settings, the iPronto is ready for use. In the next chapter, *Using the iPronto*, you learn the basics: using the touch screen, what the buttons are for, how you navigate on the iPronto and so on.

Once you have adjusted the general settings and network settings, you can start using the iPronto. In this chapter you read how to operate the touch screen, what the hard buttons are for and how you can use the iPronto's applications and functions.

## The Touch Screen

The iPronto has a touch screen. You can operate the touch screen in two ways. One way is to use the plastic-tipped stylus. It is specially designed for use on a touch screen. The stylus is very useful if you want to tap a small area on the touch screen, because it is very precise.

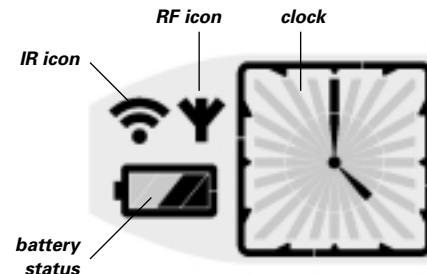
**Warning** *Never use an actual pen, pencil or other sharp object. These objects can damage the touch screen.*

You can also operate the touch screen with your fingers. Fingers are less precise than the stylus, but you may find it more comfortable to use your fingers on the touch screen.

## The Status Display

Below the touch screen, the iPronto has a small screen. This second screen is always on, even when the iPronto has been switched off. It displays the time and battery status.

The status display also displays an **RF icon** and an **IR icon**. Whenever the iPronto is communicating over your home network, the **RF icon** is on. The **IR icon** gives you feedback when you are using the iPronto's remote control: every time you tap a button on the touch screen or press a hard button that sends an IR code to your device, the IR icon flashes.



## The iPronto's External Controls

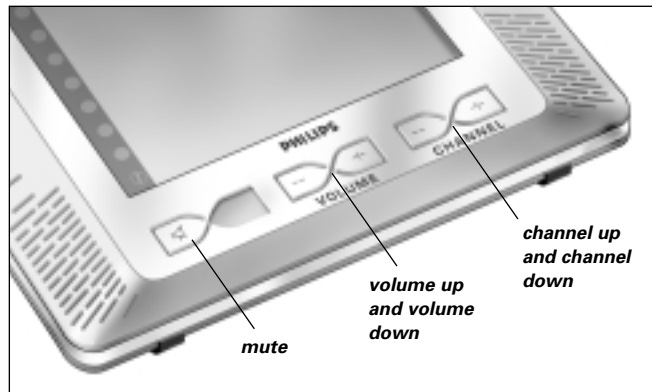
### The Power Button

The iPronto's Power button (located on the left side of the iPronto) is used to switch iPronto **on** when it is sleeping. In the System Settings you can decide on other options for waking up the iPronto. See *Adjusting the Wake up Conditions* on page 19.

You can also use the Power button to switch the iPronto **off** at any time.

### The RC buttons

The iPronto has five buttons on the front panel. They always operate the iPronto's **remote control (RC)**: When you are working with the iPronto's Electronic Program Guide or browser, these buttons will still have RC functions. By default, the RC buttons have the following functions:



You can change these default functions with the iPronto's "learning" tool. This means that the iPronto will learn an IR (infrared) code from the conventional RC of your device, for instance your TV. See *Learning IR* on page 38.

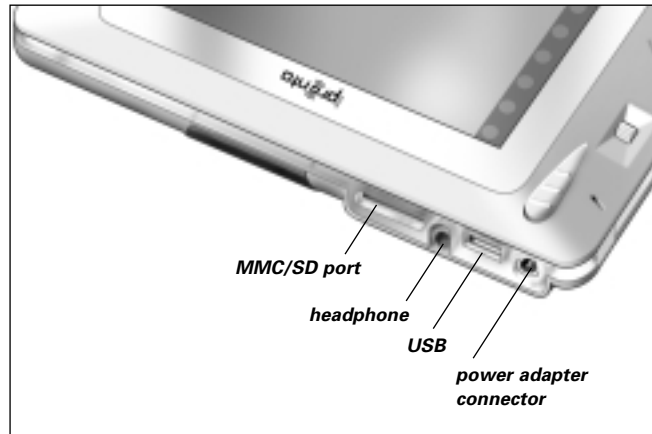
## The Scroll Wheel

The iPronto's scroll wheel is located on the left side of the touch screen. By **scrolling** the wheel you can adjust the volume of the **iPronto** (success beeps and so on) in 20 intervals.

By **pressing and holding** the scroll wheel for 5 seconds, you can enter the System Settings to adjust settings such as time, date, network, and so on.

## The Ports

---



## Navigating the iPronto

---

### Views, Layouts and Touchstrip

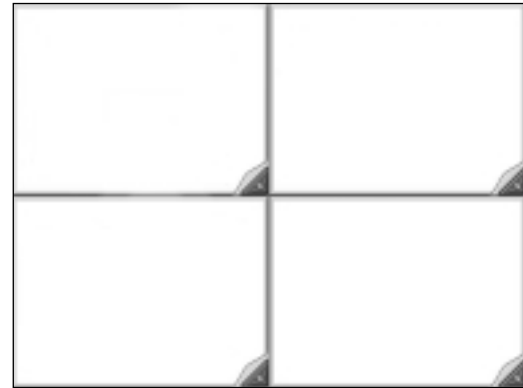
The iPronto offers you the possibility to view an application page in XL view or in M view.

The XL view is a full screen view (figure 1).

The M view is 1/4 of a full screen view. The M view allows you to combine multiple applications in one page (figure 2).



*Figure 1: XL View*



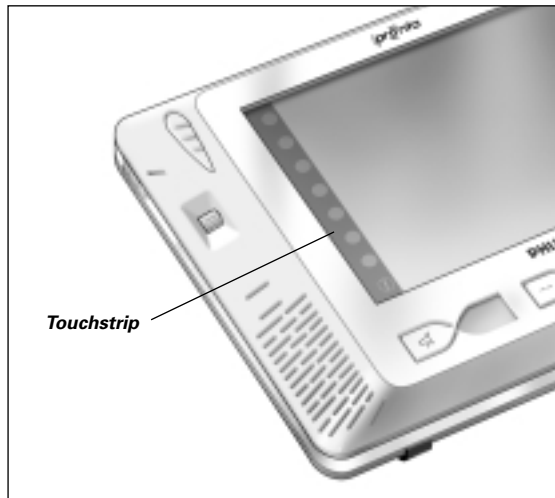
*Figure 2: 4 M Views*

You can toggle between XL and M views by tapping the **View Control** button.



### **View Control Button**

The iPronto's principle of multiple views creates various ways of organizing the screen. The iPronto has 8 **predefined** ways of organizing the screen, called "layouts". In a layout, the screen is composed of one or more applications. A layout has one XL view or four M views for different applications in various combinations. You can switch between these layouts with the touchstrip.



# Using the iPronto

When you tap one of the 8 buttons in the touchstrip, the corresponding layout appears:

- Layout 1 is a full screen remote control;
- Layout 2 is a full screen EPG;
- Layouts 3-7 are M views with combined applications;
- Layout 8 is a full screen browser that connects to the iPronto site. On this site you can find all kinds of useful information concerning the iPronto:
  - You can learn about new **software** for your iPronto;
  - You can **register for the iPronto EPG application** and modify your lineup;
  - You can find **iPronto Online Help**;
  - You can read the latest **news**;
  - ...

## Flipside and Settings

On the iPronto, every application has a flipside. On this flipside you can read application information and modify settings.

The System Settings are general and applicable to every application and every view. Application Settings are specific for one application in one layout. For example: the Home Page of a Browser which can differ in different layouts. For more information on System Settings, go to *Getting the iPronto Up and Running* on page 14.

### **Accessing the Application Flipside**

- 1** To access the **Application Flipside**, tap and hold the **View Control** button in the lower right corner of the application page for 5 seconds.  
The application turns to its flipside.
- 2** To return to the normal view, tap the **View Control** button in the lower left corner of the XL view.



## The Keyboard

The iPronto is provided with an on-screen keyboard. You need this keyboard to enter text in text boxes, for example to enter a URL.

When you tap a text box, the on-screen keyboard automatically appears. A greyed out text box indicates that there is no on-screen keyboard available.

The on-screen keyboard has its own text box, which displays the same text as the application's text box. Depending on the text box that you tap, the keyboard's text box consists of either 1 or 3 lines. When a one-line text box appears, you can only enter one line of text. When a three-line text box appears, you can enter multiple lines of text. If your text consists of more than three lines, a scroll bar appears.

## Working with the Keyboard

- 1 Tap the text box in which you want to enter text.  
The on-screen keyboard appears.



**On-screen Keyboard**

## Using the iPronto

- 2 To enter text, tap the buttons with characters, numbers, punctuation and the space bar.
- 3 To enter one character in upper case, tap the **Shift** button.  
The character you enter right after tapping **Shift** will appear in upper case.
- 4 To enter multiple characters in upper case, tap the **Capitals** button.  
All the characters you enter after tapping **Capitals** will appear in upper case, until you tap the **Capitals** button again.
- 5 To enter a symbol, tap the **Special** button.  
The symbols appear on the buttons and you can tap the symbol you need. After tapping a symbol, the normal characters reappear on the buttons.
- 6 To position the cursor in the keyboard's text box, tap the place where you want to position the cursor.  
-or-  
Use the keyboard's arrow keys to move up, down, left or right.
- 7 Tap **Done**.  
The keyboard closes and the text appears in the text box.  
-or-  
Tap **Cancel**.  
The keyboard closes and the text does not appear in the text box.

# The Remote Control

The iPronto remote control (RC) is a **universal** RC. This means that it can be used for virtually any audio and video device, such as a TV, VCR, DVD, CD and so on. As long as your device understands IR codes, the iPronto RC can control it. This way, the iPronto RC replaces the individual RCs that accompany your devices.

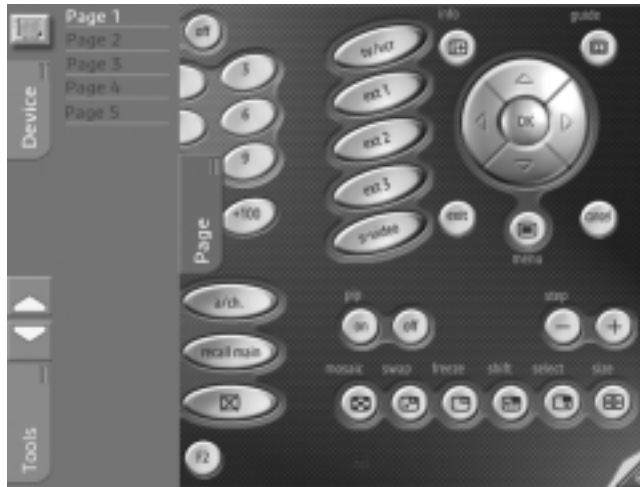
You access the iPronto RC via the touchstrip: Layout 1 is a RC in XL view. See *Views, Layouts and Touchstrip* on page 30 for more information.



***iPronto remote control***



The **pages** of a device can be accessed via the Page tab. When you tap the Page in the Page tab, you immediately jump to that page.



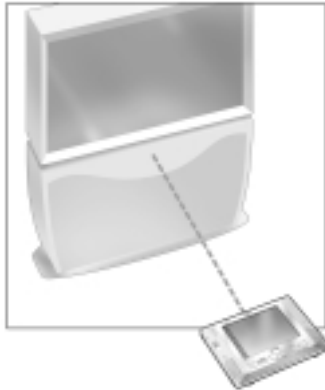
## **Page tab**

The devices and pages of the iPronto RC have an M view and an XL view. In both views you can tap buttons to manipulate your equipment. To **learn IR codes** for buttons, however, you need to set the page in XL view. See *Learning IR Codes* on page 38 for more information on “learning”.

# The Remote Control

## Learning IR Codes

The iPronto RC sends out infrared (IR) signals to your devices, which will execute an action, for example “TV On” or “VCR Start Recording”.



For every action the iPronto sends out a specific IR signal, called an “IR code”. The iPronto RC contains a huge database that contains numerous IR codes for all kinds of devices.

The iPronto RC is set up by default to operate Philips and compatible devices. If you have other brands, the iPronto has to “learn” the specific IR codes for your device from the conventional RC that accompanies the device. This means that you press the button on the conventional RC and point it at the iPronto’s learning eye:





# The Remote Control

**3** Tap the **Learn** tool.

The label **Learn** appears on the **iPronto** icon. The **Device** and **Page** tabs are disabled.

**4** For learning a soft button, select the soft button you want to learn in the XL view.  
The button is highlighted.

-or-

For learning a hard button, press the hard button you want to learn on the iPronto.

**5** Press and hold the button on the conventional RC.

The conventional RC sends out an IR code.

If learning succeeds, the iPronto RC beeps and **OK** appears on the screen.

If learning does not succeed, the iPronto beeps and **Failed** appears on the screen.

---

**Note** When learning fails, try the following:

- Make sure you aim the IR sender of the conventional remote control to the iPronto's learning eye;
  - Make sure the distance between the iPronto and the conventional remote control is between 4 and 8 inches (10 and 20 centimeters);
  - Make sure the batteries of the iPronto or of the conventional RC are not low;
  - Avoid learning under bright fluorescent light or direct sunlight: it might affect the IR signals.
-



## Using iProntoEdit

---

When you buy an iPronto, it is supplied with a **default** ICF. However, you can also **personalize** the functions and the look of the iPronto. You can do this with **iProntoEdit**. iProntoEdit is the visual editor for creating and configuring ICFs on your computer. You can download the latest version of iProntoEdit and the accompanying manual from the Pronto site at <http://www.pronto.philips.com/products/ipronto>.

With iProntoEdit, you can fully define the iPronto user interface, for example:

- You can perform basic actions, such as:
  - Deleting and adding devices;
  - Deleting and adding pages;
  - Deleting and adding buttons or panels;
  - Previewing the ICF with the iPronto Emulator.
- You can easily position elements on a page with simple tools, such as:
  - Setting a Grid and Border;
  - Centering elements;
  - Setting the Z-order of elements.
- You can design pages with buttons and bitmaps, for example:
  - Adding bitmaps to a button for its pressed and released state;
  - Importing an entire gallery with your own buttons or bitmaps;
  - Changing the color of elements;
- You can configure elements, such as:
  - Labeling buttons, pages and devices.
  - Adding a complete action list (also called “macros”) to a button, with an IR command, links, delays, beeps and jumps.
  - Adding IR codes from iProntoEdit’s universal database.

## The Remote Control

To modify the ICF with iProntoEdit, you have to be able to transfer the ICF from the iPronto to your PC and vice versa. This is called “uploading” and “downloading” respectively. You can upload and download the ICF via your home network.



### **Uploading and Downloading**

---

**Note** To upload and download an ICF, iPronto and your PC have to be connected to the same network.

---

Uploading or downloading is easy: open iProntoEdit on your PC and click the Upload button to upload the ICF into iProntoEdit, or click the Download button to download the ICF to the iPronto.

You use the iPronto browser to access the Internet. The iPronto browser functions the same way as a regular PC browser: it has Back, Forward, Home, Reload and Stop buttons, you can enter URLs, see the downloading progress and scroll with the scroll bar.



## ***iPronto Browser***

You can view the iPronto browser in M view and in XL view. In both views you can navigate the Internet and view web pages. However, you can only enter URLs in iPronto's XL view.

## Setting the Home Page

---

In the Browser Settings, you can set the Home Page for every individual browser in every layout. When you press the Home button, this page is always displayed.

- 1 Open the browser that you want to configure in XL view.  
You can toggle between M and XL views with the **View Control** button.
- 2 Tap and hold the **View Control** button for 5 seconds to display the Application Settings.  
The flipside of the browser appears.



**Browser flipside**

- 3 In the **Home Page URL** text box, enter the URL of the Home Page with the on-screen keyboard.  
See *The Keyboard* on page 33 for more information.

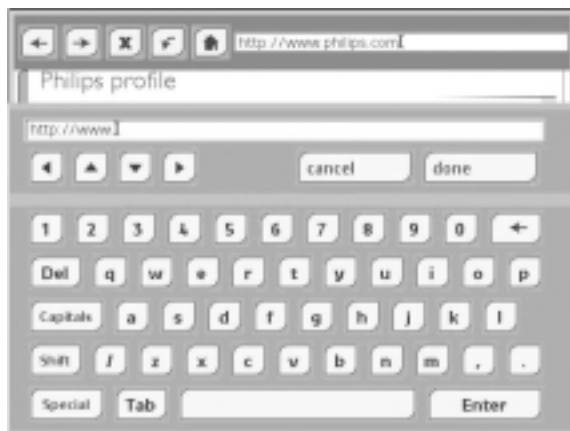
-or-

To set the currently active web page as Home Page, tap the **Set Current** button.

## Entering a URL

The URL that you are visiting is displayed in the bar at the top of the browser. To be able to enter a new URL in the bar, you need to view the web page in XL view.

You can enter a URL with the iPronto's on-screen keyboard.

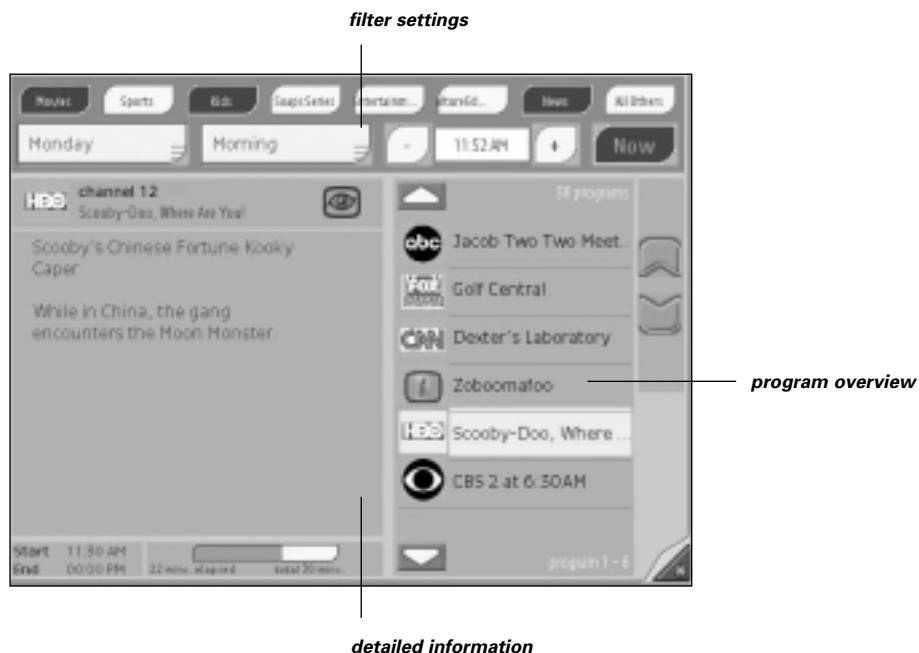


- 1 Tap the text box on the touch screen.  
The on-screen keyboard appears.
  - 2 Enter the URL with the on-screen keyboard.  
The URL appears in the keyboard's text box.
  - 3 Tap the **Done** button to close the keyboard.  
See *The Keyboard* on page 33 for more information.
- Download from [www.Somanuals.com](http://www.Somanuals.com). All Manuals Search And Download.


# The Electronic Program Guide

One of the iPronto's key applications is the Electronic Program Guide. An Electronic Program Guide (EPG) is the electronic equivalent of a printed television program guide. But the iPronto's EPG is not a regular EPG: It is unique because of its **direct interaction** with the iPronto's remote control. While browsing through the Electronic Program Guide, you can immediately switch your TV to the channel.

**Note** Before you can use the iPronto EPG, you have to register online. See Registration on page 49 for more information.



- In the **filter settings** you can select the genre, date and time to obtain information about programs in the future. You can choose a day and the time of the day (morning, afternoon, evening and night) from dropdown lists or you can set the exact time with the **+** and **-** buttons.


If you tap the  button, the EPG data will automatically display the programs currently playing of the genre(s) you have selected.

- In the **program overview** the list of programs that meet your selection criteria, which you defined in the upper part of the screen, appears.
- The **detailed information** for the selected program is displayed in the left part of the screen: subject, actors, start and end time, and so on.

For example, tap the Movies button and select Wednesday Evening, 8:00 PM in the filter settings. A list of movies that are playing at that time on Wednesday will appear in the program overview. When you select one of the movies in the list, a detailed description will appear in the left part of the EPG.

The EPG has two power features:

### **The Watch Feature**

When you select a program in the program overview, you can immediately **surf** to this program with the  button. This Watch button only appears when you select a program that is currently playing on TV.

### **The SmartSurfer**

When you are displaying a list of programs that are **currently** playing in the program overview, the  buttons appear. With these **SmartSurf** buttons you can easily **surf** through the programs in the list. For example: if you want to watch sports but not soaps or home shopping, then tap "sports" and flip through only what you want to see: football, soccer, baseball, tennis, car racing. With the SmartSurf buttons your TV will simply surf through the sports shows that are on TV and it will skip channels that do not broadcast sports shows, even during commercial breaks.

# The Electronic Program Guide

---

**Note** The Watch Feature and SmartSurf only function if you apply correct settings in EPG and in RC. You have to set the channel selection mechanism in the EPG settings. The **channel selection mechanism** determines how the TV switches channels. A TV can use, for example, a **10+** button, or an **Enter** button to switch channels.

- 1 Tap and hold the View Control button to display the EPG settings.  
The EPG page turns to its flipside.
  - 2 Select your type of channel mechanism.
  - 3 Check whether the Watch Device is functioning correctly on the **iPronto RC**. The iPronto EPG reuses the RC's IR codes. If the Watch Device in the ICF of the RC does not function properly, you should "learn" the correct IR code for the relevant button.  
See *Learning IR Codes* on page 38.
-



## Registration

Before you can use the EPG, you have to register on line. After the registration you can personalize your lineup so only information on the channels that you find interesting appears in the EPG. After registering and personalizing, you receive an activation code, which you enter in the EPG settings. Once you have activated your registration, the iPronto EPG is ready for use.

## Registering

- 1 Use an iPronto browser or your PC browser to navigate to the EPG welcome page at <http://www.pronto.philips.com/products/ipronto/epg/>. The EPG welcome page appears.



**EPG Welcome Page**

# The Electronic Program Guide

- 2 In the **New User** section, tap **Register here** to subscribe to the Philips EPG Internet Service.  
The **Legal Notice** page appears.
- 3 Read the legal notice and tap the **Accept** button.  
The **Identification** page appears.
- 4 In the **Username** text box, enter a user name.  
You can make up your own user name.
- 5 In the **Password** text box, enter a password.  
You can make up your own password. Write down your username and password here for further reference:

Username: .....

Password: .....

- 6 In the **Confirm password** text box, reenter the password.
- 7 In the **Email address** text box, enter your email address (optional).  
The email address will be used in case you forget your password.

---

**Note** *Only if you enter an email address will you be able to recover your password. In the **Forgot your password?** section of the EPG welcome page, you can read how to recover your password.  
If you do not enter an email address, you will have to register again when you forget your password.*

---

- 8 To have your browser remember the username, select the **Remember me** checkbox.
- 9 Click the **Subscribe** button.  
The **Congratulations** page appears.

After the registration, you can personalize the information that will be sent to you.

## Personalizing

- 1 Tap the **Go to personalization page!** button.  
The **My personal EPG lineups** page appears.
- 2 Tap the **Add a lineup** button.  
The **Personalization Wizard – step 1** page appears.
- 3 In the **Zip code** text box, enter your zip code.
- 4 Tap the **Next** button.  
The **Personalization Wizard – step 2** page appears.
- 5 Select your network type.
- 6 Tap the **Next** button.  
The **Personalization Wizard – step 3** page appears.
- 7 Select your provider.
- 8 Tap the **Next** button.  
The **Personalization Wizard – step 4** page appears.
- 9 Deselect the TV stations that you do not receive, or that you do not find interesting.  
You can obtain information from your cable provider.
- 10 Tap the **Finish** button.  
The **My Personal EPG lineups** page appears.
- 11 In the **Activate subscription** section, tap the **Get activation code** button.  
The **Waiting for Activation** page appears.

# The Electronic Program Guide



**EPG Waiting for Activation Page**

- 12** In the Your activation code is box, your Activation Code appears.  
Write down your activation code here:

.....

After the registration you enter the activation code in the EPG settings on your iPronto:

## ■ Activating

- 1 Open the EPG application in layout 2 on your iPronto.  
The EPG appears in XL view.
- 2 Tap and hold the **View Control** button for 5 seconds to display the EPG settings.  
The flipside of the EPG appears.
- 3 In the **Activation code** text box, enter your activation code.
- 4 Tap the **Activate** button.  
The first EPG download starts.

---

**Note** *The first EPG data download may take about 30 minutes. After the initial download, the EPG will be fully functional and new data will be downloaded automatically every day.*

---

# Troubleshooting

## ***The soft buttons on my touch screen do not respond properly***

It might happen that the buttons on your touch screen do not respond properly, for example when you have to tap to the left of the button instead of on the button. In this case, you should recalibrate the touch screen. Calibrating enables the iPronto to place the icons on the touch screen in line with their functions. See *Calibrating the Touch Screen* on page 16.

## ***My iPronto switches off automatically***

The iPronto has a power off time out function to save power. You can change the power off time out in the System Settings. See *Adjusting the Power off Time Out* on page 18.

## ***Devices do not respond to the commands I send***

- Make sure to point the iPronto's sending eye towards the device.
- Make sure there is no obstruction between the iPronto and the device.
- Check the battery status in the status display or in the General tab of the System Settings.
- Check if your device understands Philips IR codes. You can find this information in your device's manual. If your device does not understand Philips IR codes, you can learn the IR code from the conventional remote control. See *Learning IR Codes* on page 38.

## ***My iPronto does not respond***

When your iPronto does not respond, try the following:

- 1 The iPronto may be sleeping. Press the Power button to wake it up.
- 2 The battery may be low. Check the battery status on the status display. Recharge the battery if necessary.  
See *Installing and Recharging the Battery* on page 10.
- 3 If steps 1 and 2 have no result, use the Reset button. The Reset button is located at the back of the iPronto, as indicated in the illustration:



Press the Reset button with a pointed object, such as an unfolded paperclip. The iPod nano will reboot. Some settings may be lost, such as date and time settings.

**4** If resetting does not help, contact your dealer.

***I have activated the EPG application on my iPod nano, but it still does not work***

- When you register on line for the iPod nano EPG, you obtain an activation code. You should enter this activation code in the EPG settings within a certain amount of days after registering on line. See *Flipside and Settings* on page 32. If you do not activate within this period of time, you will have to get a new activation code from the registration site.
- When your EPG does not work, something might be wrong with your time, date or timezone settings. See *Setting up Your iPod nano* on page 15.

## ***The Watch Feature and the SmartSurfer of my EPG application do not work***

- The Watch Feature and SmartSurf buttons only appear on your screen when “Now” information is displayed.
- Because the Watch Feature and SmartSurfer automatically surf between channels on your TV, you have to “tell” them **how** to surf channels. There are several ways to surf, for example with a **10+** button, an **Enter** button, and so on. In the **EPG settings**, you determine the way that your TV changes channels.  
See *The SmartSurfer* on page 47.
- The Watch Feature and SmartSurf buttons will only function if the channel selection mechanism on your iPronto RC functions properly. Test whether the channel selection mechanism functions correctly in the Watch Device of the ICF of the RC. If necessary, “learn” the IR code for the button (10+, Enter,...).  
See *Learning IR Codes* on page 38.

## ***My browser does not work***

- 1** Check the network settings in the System Settings.  
See *Getting the iPronto Up and Running* on page 14. You can find more information about network settings in the Internet Settings on your PC. If you do not have a PC, you can obtain network information from your Internet Service Provider.
- 2** Check the RF icon in the status display.  
If the RF icon is off, something is wrong with your wireless network.
  - 1** Check the settings on the Wireless tab.  
See *Wireless Network Settings* on page 21. If you have a PC, you can find more information about the wireless settings there. If you do not have a PC, you can find more information in the manual of your Wireless Access Point.
  - 2** Check the network signal strength in the General tab of the System Settings.  
See *Getting the iPronto Up and Running* on page 14.
  - 3** Check whether the Wireless Access Point functions correctly by testing it with another device in your network, for example your PC.



**4 Check the settings of your Wireless Access Point.**

If you have a PC, you can find more information about the Wireless Access Point there. If you do not have a PC, you can find more information in the manual of your Wireless Access Point.

**5 Check whether your Wireless LAN Adapter is installed correctly. The Wireless LAN Adapter has a green led. If this led is not on, something is wrong with your Wireless LAN Adapter.**

See *Installing the Wireless LAN Adapter* on page 8.

***The iPronto browser does not display web pages the same way as the browser on my PC***

Most web pages are optimized for viewing with a Netscape or Internet Explorer browser. That is why pages may look different on the iPronto browser.

The iPronto browser has some limitations compared to a regular browser.

- The iPronto browser supports images of the .gif, .jpg and .png types.
- The iPronto browser does not support popup windows.
- MIME is not supported. This means that you cannot download graphics, audio and video files.
- You cannot make a list of favorites or bookmarks.
- Cookies are only remembered if there is enough memory available.
- The iPronto browser uses a different type of JavaScript than a regular browser. There is a limit on the amount of memory that can be used for JavaScript. This means that large-size pages may not be downloaded.
- The iPronto browser's cache memory is limited to 1 MB.
- Applets are not supported by the iPronto browser.

# Index

## A

- About tab, 15
- activation code, 49, 55
- adapter
  - power, 10
  - Wireless LAN, 8
- application
  - browser, 43
  - EPG, 46
  - remote control, 35
- Application Settings, 32

## B

- battery
  - install, 10
  - recharge, 10
- brightness, 18
- browser, 43, 57
  - Home Page, 44
  - URL, 45
- button, 36, 38

## C

- calibration, 16, 54
- channel selection mechanism, 48, 56
- configuration, 20

## D

- date, 17
- device, 36
- Device Overview, 36
- Device tab, 36
- download, 41

## E

- Electronic Program Guide. *See* EPG
- EPG, 46
  - activation, 53
  - detailed program information, 47
  - filter settings, 47
  - personalization, 51
  - program overview, 47
  - registration, 49
  - SmartSurf, 47, 56
  - Watch Feature, 47

## F

- FCC compliancy, 2
- flipside, 32

## G

- general settings
  - brightness, 18
  - calibration, 16
  - date, 17
  - time, 16
  - time out, 18
  - timezone, 17
  - wake up, 19

## H

- hard button, 28, 38
- headphone, 29
- help
  - iPronto Online Help, 4
  - iPronto User Guide, 4
- Home Page, 44
- host name, 23

## I

- infrared. *See* IR
- installing
  - battery, 10
  - iProntoEdit, 41
  - Wireless LAN Adapter, 8
- Internet, 43, 57
- Internet Service Provider, 23

## Internet settings

IP, 23

Proxy, 23

IP, 15, 23

DHCP, 24

fixed, 24

IP address. *See* IP

## iPronto

box, 3

parts, 5

set up, 14

using, 27

iProntoEdit, 41

## IR

code, 38

icon, 5

learn, 38

IR icon, 27

IR learning eye, 5

IR sending eye, 5

ISP, 23

**K**

keyboard, 33

**L**

layout, 30

LCD, 18

brightness, 18

time out, 18

learn, 38

**M**

M view, 30

microphone, 5

MMC/SD, 29

**N**

navigate, 43, 57

network settings

IP, 23

proxy, 23

**O**on-screen keyboard. *See* keyboard**P**

page, 36

Page tab, 36

PC, 21, 23

PCMCIA, 8

pen. *See* stylus

personalize, 41, 51

port, 29

power adapter, 10, 13

power button, 5, 28

Proxy, 15, 23

**R**RC. *See* remote control

RC button, 28

recharge, 13

registration, 49

remote control, 35

iProntoEdit, 41

learn IR, 38

reset, 5, 54

RF icon, 5, 27

RF signal, 8

**S**

scroll wheel, 5, 29

set up

iPronto, 15

network, 20

settings

Application Settings, 32

System Settings, 14, 32

SmartSurf, 47, 56

soft button, 38

speaker, 5

status display, 5, 27

stylus, 5

surf, 43, 57

# Index

System Settings, 32

    About, 15

    General, 15

    Network, 20

    Wireless, 21

## T

time, 16

time out, 54

    adapter, 18

    battery, 18

timezone, 17

toggle, 30

Tools tab, 38

touch screen, 27

touchstrip, 30

troubleshooting, 54

## U

universal, 35

upload, 41

URL, 44, 45

USB, 29

## V

View Control button, 30

## W

wake up, 19

WAP, 8, 21

Watch Feature, 56

Wireless Access Point, 8, 21

Wireless LAN Adapter, 8, 57

wireless settings, 21

## X

XL view, 30

## Free Manuals Download Website

<http://myh66.com>

<http://usermanuals.us>

<http://www.somanuals.com>

<http://www.4manuals.cc>

<http://www.manual-lib.com>

<http://www.404manual.com>

<http://www.luxmanual.com>

<http://aubethermostatmanual.com>

Golf course search by state

<http://golfingnear.com>

Email search by domain

<http://emailbydomain.com>

Auto manuals search

<http://auto.somanuals.com>

TV manuals search

<http://tv.somanuals.com>