

# Articulating Swivel Mount

For Large Flat Panel Screens



Swing, tilt, or extend a plasma or large LCD screen from the wall for limitless viewing options with Peerless' Articulating Swivel Mount. Three swivel points and adjustable forward tilt offers outstanding flexibility for installations in lobbies, hotel rooms, boardrooms, public displays or home theaters. The exceptional functionality of this product is also well suited for recessed applications in a wall or armoire. It safely holds flat panels ranging from 32" to 63" and can fold flat against the wall.

- For 32" to 63" plasma and LCD screens
- Swings to watch the screen from anywhere in the room
- Screen always level with easy leveling adjustment
- Folds flat against the wall
- Comes in black or silver

**PLA-1/PLA-1S**

## Articulating Swivel Mount For Large Flat Panel Screens

### Model Numbers

PLA-1 (Black)  
PLA-1S (Silver)

### Product Specifications

- For 32" to 63" LCD and plasma screens
- Three-point swivel action (at wall, in the center, and at screen)
- Adjustable tilt: 10° forward and 5° backward
- Arm extends to a maximum of 30.5"
- Easy leveling adjustment to ensure screen sits level
- Wall plate allows the arm to be mounted at the center or left/right
- Screen can be installed in landscape or portrait
- Security fasteners
- Hardware for installation to wood studs with 16" centers
- PLP screen adapter plates offered separately

#### FEATURES

#### LOAD CAPACITY

185 lbs. (84 kg.)  
UL listed 150 lbs. (68 kg.)  
(4 x UL listed load)

#### MATERIAL

Steel construction

#### FINISH

Black or Silver fused epoxy

#### CARTON SIZE

18.25" x 15.75" x 6.625" (46.4 x 40.0 x 16.8 cm.)

#### PRODUCT WEIGHT

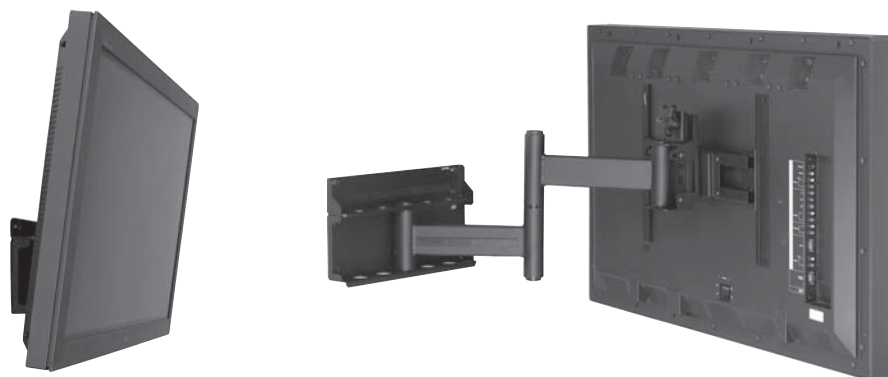
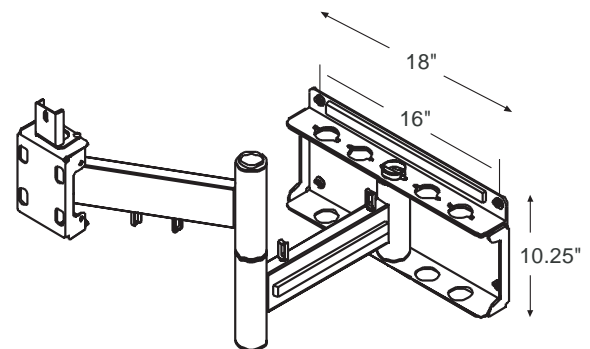
32.1 lbs. (14.6 kg.)

#### SHIPPING WEIGHT

34.9 lbs. (15.8 kg.)

#### PRODUCT INCLUDES

Wall Plate, Articulating Arm, Mounting Hardware  
(PLP model adapter plate must be ordered separately)



LIMITED 5-YR. WARRANTY

(800) 865-2112  
www.peerlessindustries.com

Peerless Industries, Inc.  
3215 W. North Avenue, Melrose Park, IL 60160  
(708) 865-8870 or (800) 865-2112 Fax: (708) 865-2941 www.peerlessindustries.com

© 2004 Peerless Industries, Inc. All rights reserved.  
Peerless is a registered trademark of Peerless Industries, Inc.

**MODEL:****PLA 1** (black), **PLA 1S** (silver)**MAX LOAD OF SCREENS UP TO 50"±:**

Wood Stud: 150 lbs. (68 kg.)

Concrete: 150 lbs. (68 kg.)

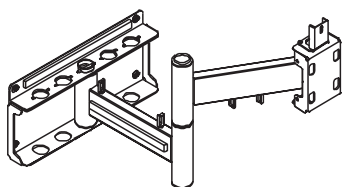
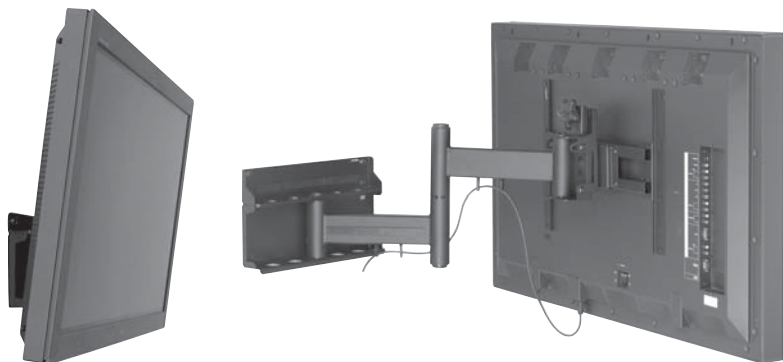
**MAX LOAD FOR 60"+ SCREENS:**

185 lbs. (83.9 kg.)

**SHIP WEIGHT:**

35.3-45.2 lbs. (15.9-20.5 kg.)

\* Installations UL listed only up to 150 lbs.

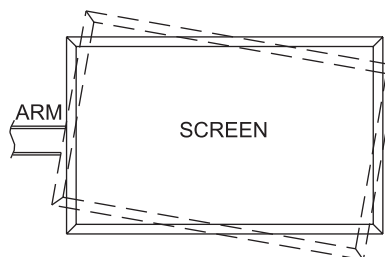
Shown without screen  
adapter plate.**COMPONENTS****AND ORDERING:**

Product ships with mount and wall plate. PLP model screen adapter for plasma or LCD screen sold separately.

- 1) Order the PLA 1 or PLA 1S and the PLP or Universal style PLP adapter plate indicated for your screen in the Plasma or LCD Cross Reference List or visit our website at [www.peerlessindustries.com](http://www.peerlessindustries.com). See the Plasma Cross Reference List for more details on universal models.
- 2) Wood stud: Nothing needed if mounting direct to wood studs.
- 3) Concrete wall: Accessory fasteners, ACC 204
- 4) Video conferencing shelf, ACC 309
- 5) Accessory shelves (Multi-Mount), DS 600

**FEATURES**

- Color: black or silver
- Articulating arm can be attached at the center of the wall plate or at four other points off-center
- Arm extends up to 30.5" (77.5 cm) away from wall for perfect viewing
- Three point swivel action at the wall plate, screen and center
- Adjustable screen tilt with a maximum 10° forward and 5° backward
- Mount allows for self-leveling adjustment for the screen to sit level at any angle; no tools required
- Screen mounts vertically or horizontally
- Theft-resistant security fasteners secure the screen to the mount
- Heavy gauge cold rolled steel construction
- Compatible with video conferencing shelf
- Includes hardware for wood stud mounting
- Complete detailed installation instructions for wood and concrete structures

**LEVELING ADJUSTMENT**

## Free Manuals Download Website

<http://myh66.com>

<http://usermanuals.us>

<http://www.somanuals.com>

<http://www.4manuals.cc>

<http://www.manual-lib.com>

<http://www.404manual.com>

<http://www.luxmanual.com>

<http://aubethermostatmanual.com>

Golf course search by state

<http://golfingnear.com>

Email search by domain

<http://emailbydomain.com>

Auto manuals search

<http://auto.somanuals.com>

TV manuals search

<http://tv.somanuals.com>