

Need more help?

User manual:
Check the user manual that came with your TV.

Online help www.p4c.philips.com or
www.usasupport.philips.com



2005 © Koninklijke Philips Electronics N.V.
All rights reserved.

PHILIPS

How to make the best connection

Use this guide to achieve the optimal connection for each of your components. TV can support these different types of cable connection. Please check your device to see which one applies.

Connection Basics



Better

Component Video Input (CVI)

Provides superior picture quality by separating the green, blue and red luminance signals. Typically used with red/white audio cables.



Basic

Composite Audio/Video

Separate video (yellow) and audio (red/white) cables that provide a basic connection from the set-top box and other devices. Note: The color of audio inputs may differ, e.g. Red/white or red/back.

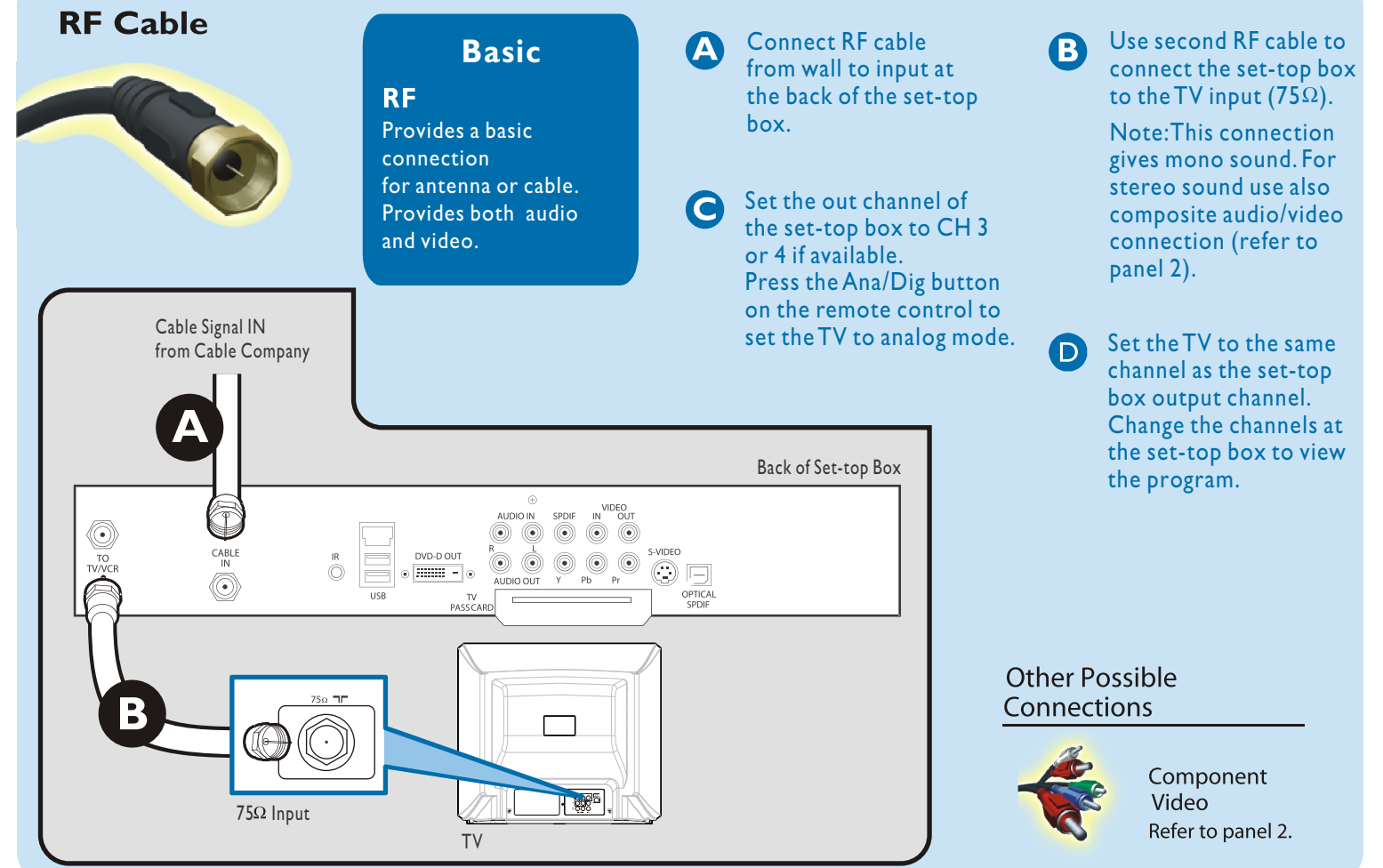


Basic

RF

Provides a basic connection for antenna or cable. Provides both audio and video.

1 Connecting Set-Top Box to TV



2 Connecting Input Device to TV (eg. DVD player, Digital Recorder, VCR, Video Camera, Games Console)

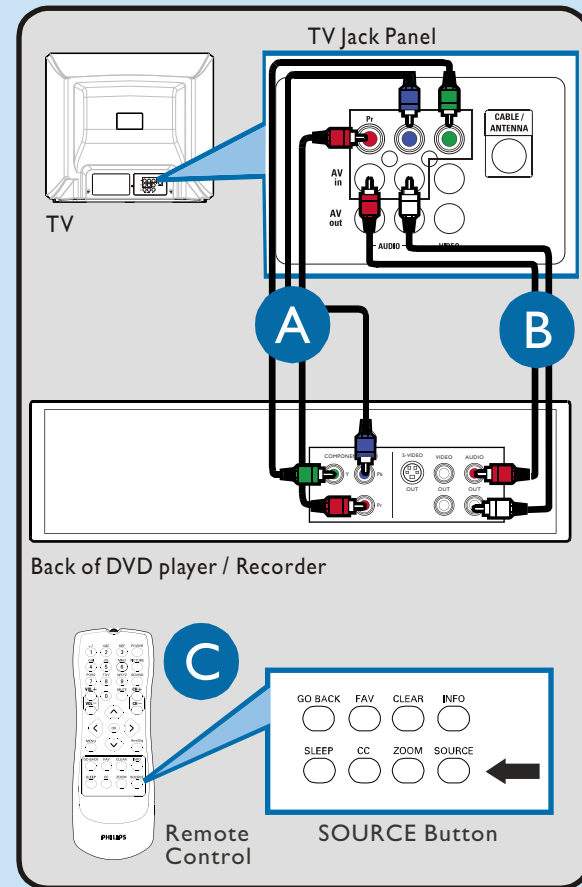
Component Video Input



Better
Component Video Input (CVI)
Provides superior picture quality by separating the green, blue and red luminance signals. Typically used with red/white audio cables.

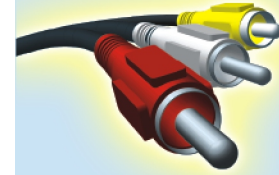
- A** Insert Component Video connectors into their corresponding jacks on both DVD player/DVD recorder and TV (sometimes labeled Y, Pb and Pr).
- B** Connect red/white audio cables to the audio output jacks on DVD player/DVD recorder and audio AV inputs on TV.
- C** Turn on TV and DVD player/DVD recorder. Press the SOURCE button on the remote control until CVI appears on TV screen.
- D** Insert a pre-recorded DVD into DVD player/DVD recorder and press PLAY to verify correct connection.

Note: CVI and AVI share the same audio channels and can't be used at the same time. If you connect them simultaneously, you can only hear sound coming from CVI signal.



OR

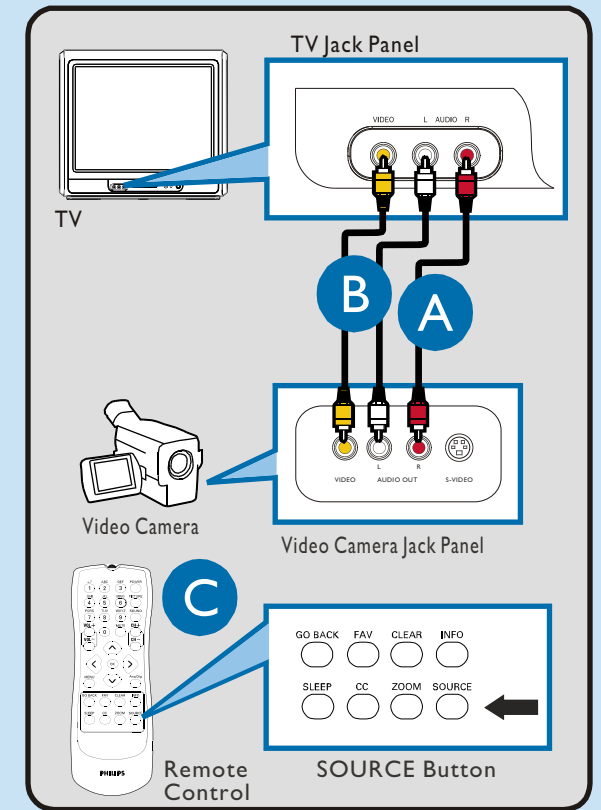
Composite Audio/Video



Basic
Composite Audio/Video
Separate video (yellow) and audio (red/white) cables that provide a basic connection from the set-top box and other devices.
Note: The color of audio inputs may differ, e.g. Red/white or red/back.

- A** Connect the video cable (yellow) from the video output on camera (or other device) to the video input (yellow) located on the front of TV.
- B** Connect audio cables (red/white) from audio outputs on device to audio inputs (red/white) on the front of TV.
- C** Turn on TV and the device. Press the SOURCE button on the remote control until FRONT appears on TV screen.
- D** Press PLAY on the device to verify correct connection.

Note: for mono devices, connect only white audio cable from the device's audio output to white audio input on the front of TV.



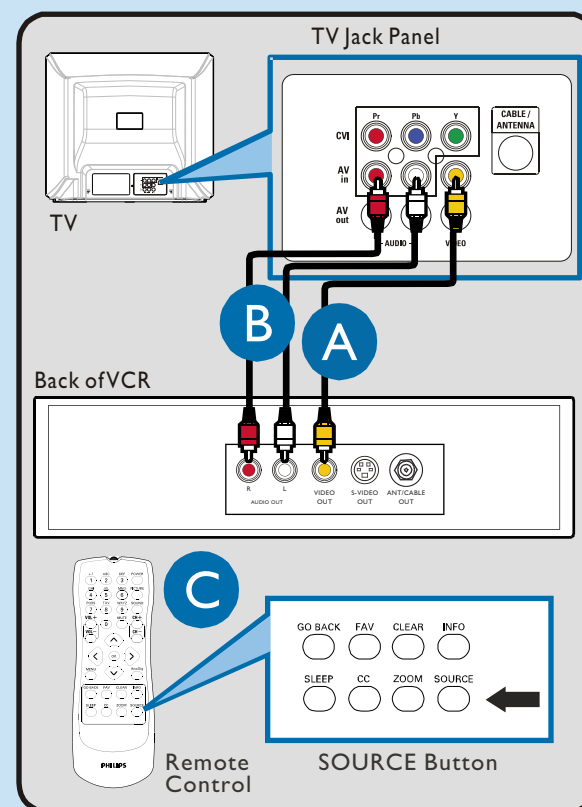
OR

Composite Audio/Video



Basic
Composite Audio/Video
Separate video (yellow) and audio (red/white) cables that provide a basic connection from the set-top box and other devices.
Note: The color of audio inputs may differ, e.g. Red/white or red/back.

- A** Connect the video cable (yellow) to the VIDEO AV input on back of TV and the corresponding video output on back of VCR.
- B** Connect audio cables (red/white) to audio AV inputs on back of TV and the corresponding audio outputs (L & R) on back of VCR.
- C** Turn on the TV and VCR. Press the SOURCE button on the remote control until AVI appears on TV screen.
- D** Insert pre-recorded videotape into VCR and press PLAY to verify correct connection.



Free Manuals Download Website

<http://myh66.com>

<http://usermanuals.us>

<http://www.somanuals.com>

<http://www.4manuals.cc>

<http://www.manual-lib.com>

<http://www.404manual.com>

<http://www.luxmanual.com>

<http://aubethermostatmanual.com>

Golf course search by state

<http://golfingnear.com>

Email search by domain

<http://emailbydomain.com>

Auto manuals search

<http://auto.somanuals.com>

TV manuals search

<http://tv.somanuals.com>