

ipr^onto

TSi 6400



Wireless home control panel

Installation guide

Let's make things better



PHILIPS

Safety & Approbation Regulations

FCC Compliancy

This equipment has been tested and found to comply with the limits for a Class B digital device, pursuant to part 15 of the FCC rule. These limits are designed to provide reasonable protection against harmful interference in residential installations. This equipment generates, uses, and can radiate radio frequency energy and, if not installed and used in accordance with the instructions, may cause harmful interference to radio communications. However, there is no guarantee that interference will not occur in a particular installation. If the equipment does cause harmful interference to radio or television reception, which can be determined by turning the equipment off and on, the user is encouraged to try to correct the interference by one or more of the following measures:

- Reorient or relocate the receiving antenna.
- Increase the separation between the equipment and receiver.
- Connect the equipment into an outlet on a different circuit from the receiver.
- Consult the dealer or an experienced radio/TV technician for help.

CAUTION: The user changes or modifications not expressly approved by the party responsible for compliance could void the user's authority to operate the equipment.

Copyright

Royal Philips Electronics NV

All rights are reserved. Reproduction in whole or in part is prohibited without prior consent of the copyright owner.

Table of Contents

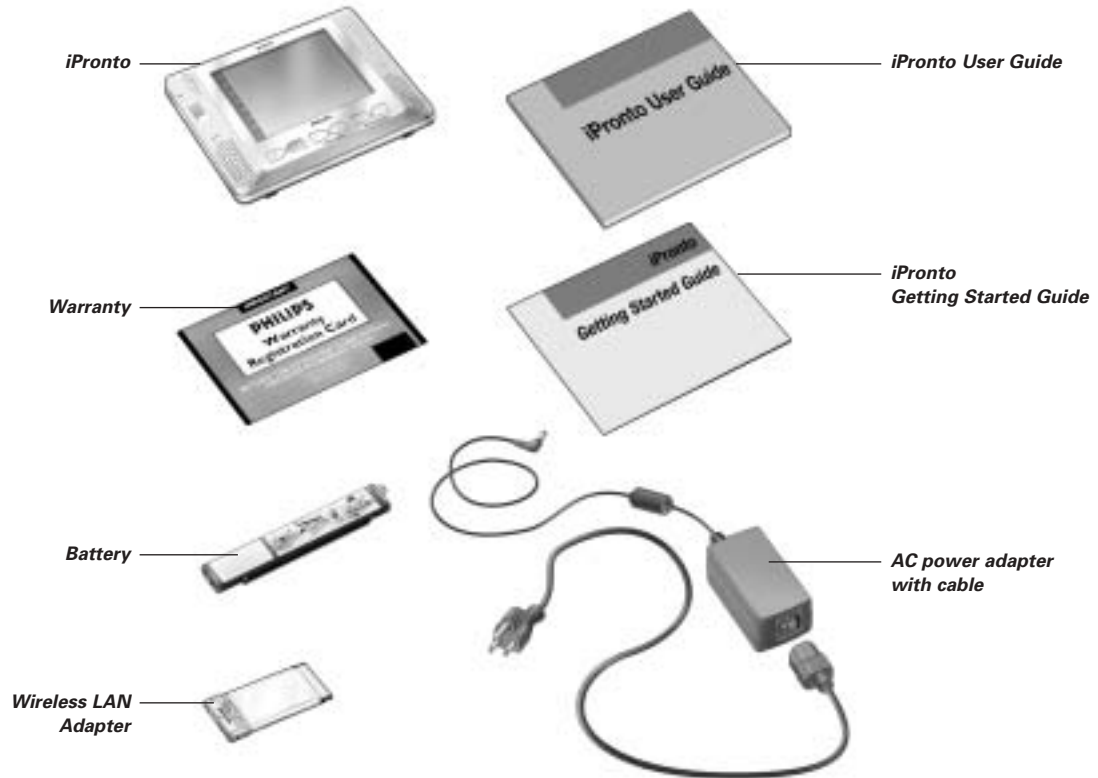
What Does the iPronto Box Contain?	3
About the iPronto Documentation	4
About the iPronto	5
Installing the Wireless LAN Adapter	8
Installing and Recharging the Battery	10
Installing	10
Recharging	13
Getting the iPronto Up and Running	14
Setting up Your iPronto	15
Setting up Your Network	20
Using the iPronto	27
The Touch Screen	27
The Status Display	27
The iPronto's External Controls	28
The External Connections	29
Navigating the iPronto	30
The Keyboard	33
The Remote Control	35
How Does the iPronto RC Work?	36
Learning IR Codes	38
Using iProntoEdit	41
Using the iPronto Remote Control with the NetX	43
The Browser	44
Setting the Home Page	45
Entering a URL	46

Table of Contents

The Electronic Program Guide	47
Subscription	50
Upgrading	55
Troubleshooting	56
Specifications	60
Index	62

What Does the iPronto Box Contain?

The iPronto box contains the following items:



About the iPronto Documentation

The iPronto documentation consists of three parts:

- This **iPronto User Guide**. This guide is meant to help you **set up** and **start using** the iPronto.
- The **iPronto Getting Started Guide**. The iPronto Getting Started Guide gives you a short visual overview of what you have to do to get your iPronto up and running. You can find the iPronto Getting Started Guide in the iPronto box.
- The **iPronto Online Help**. The iPronto Online Help contains **complete information** on how to use the iPronto Remote Control and its extra features. You can find the iPronto Online Help on <http://www.pronto.philips.com/products/ipronto/help/>

In addition to the iPronto documentation, you can consult the **iPronto Portal** via the iPronto browser in layout 8: On this site you can find elaborate and useful information about the iPronto. You can find more information about the iPronto Portal in iPronto Online Help at <http://www.pronto.philips.com/products/ipronto/help>.

At <http://www.pronto.philips.com> you can also find information in the Frequently Asked Questions section.

About the iPronto

Wirelessly connected to the Internet, the iPronto is a must-have for your home entertainment experience. With its **dashboard** you can easily access all iPronto's applications. The dashboard offers access to three basic applications: the Remote Control, the Electronic Program Guide and the Browser, however, you will be able to add new applications to the dashboard in the future.

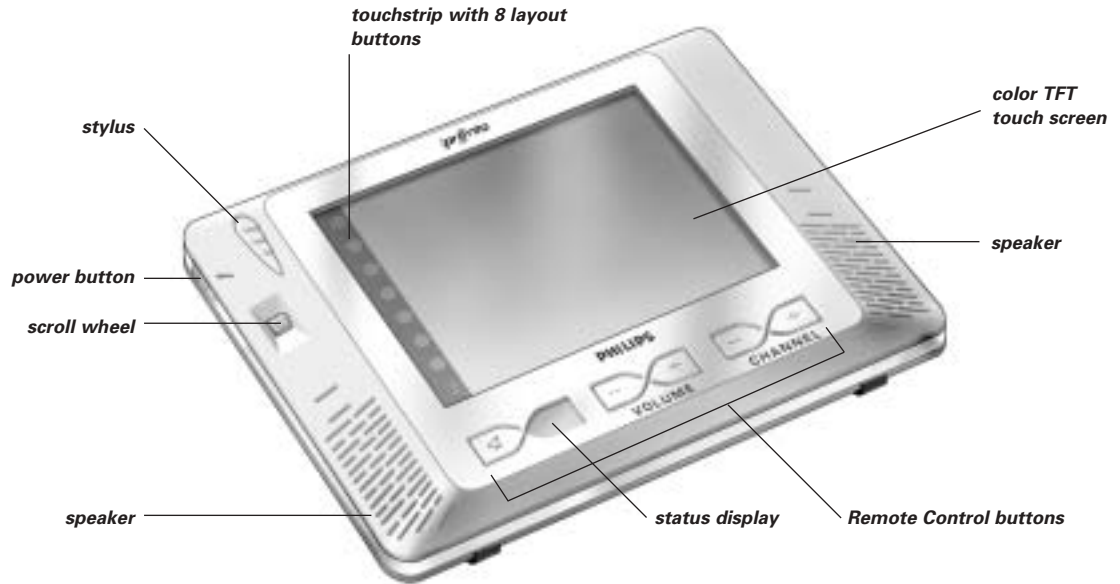
With iPronto's **universal Remote Control** you can operate almost all your devices, as long as they understand IR (infrared) signals. And because of its intuitive interface, iPronto is easy to use for everybody.

But iPronto is not only a Remote Control: it also has an **Electronic Program Guide**. Without any effort you always have an up-to-date and customizable Program Guide for your favorite channels. What makes this Electronic Program Guide so unique is its direct interaction with the iPronto's Remote Control. No more wading through pages of program guides. Get the information you want fast and start watching your programs immediately by tapping one single button. You are watching TV and would like to see sports shows? Using the EPG, you only need one button press to surf through the channels that are broadcasting sports at this particular moment.

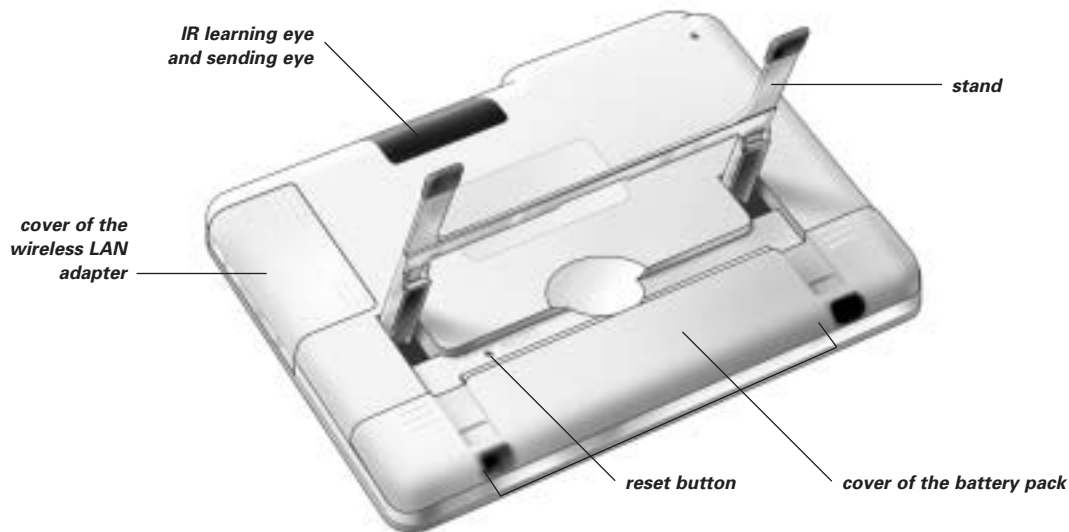
The iPronto is also provided with easy **Internet browsing** functionality. With the browser application it is now possible to connect to the Internet while you sit back and relax in front of your TV.

About the iPronto

The iPronto consists of several parts:



About the iPronto



This User Guide is meant to help you set up and start using your iPronto. For detailed information on using the various iPronto applications please refer to the iPronto Online Help. If you follow the flow of the chapters in this guide, you will have your iPronto up and running in no time. You find information about:

- *Installing the Wireless LAN Adapter* on page 8;
- *Installing and Recharging the Battery* on page 10;
- *Getting the iPronto Up and Running* on page 14;
- *Using the iPronto* on page 27;
- Using the iPronto's basic applications: *The Remote Control* on page 35, *The Browser* on page 44 and *The Electronic Program Guide* on page 47;
- *Troubleshooting* on page 56.

Installing the Wireless LAN Adapter

In a wireless network, the Wireless Access Point (WAP) is the last point that is connected to your network with wires. To communicate with your iPronto, the WAP sends out RF (radio frequency) signals, which spread in all directions. The iPronto's Wireless LAN Adapter (also called PCMCIA card) receives these RF signals and sends RF signals back to the WAP.

The first thing you do when you take your iPronto out of the box, is installing this Wireless LAN Adapter. In the following illustrations you see how the installation works:

- 1 Open the Wireless LAN Adapter cover by pushing in the grips and sliding off the cover in the direction indicated below (figure 1).
- 2 Insert the Wireless LAN Adapter in the socket, as indicated below (figure 2).

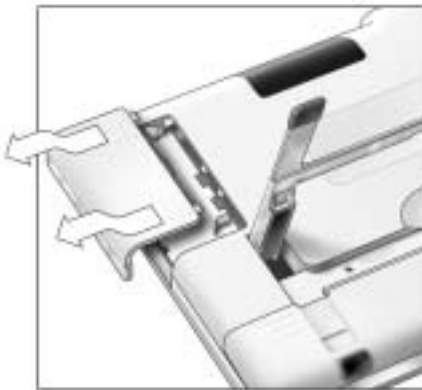


Figure 1

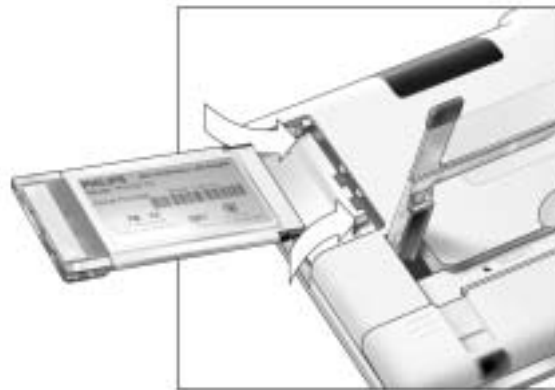


Figure 2

Installing the Wireless LAN Adapter

- 3 Put the Wireless LAN Adapter in the correct position until it clicks and close the cover.



Note Do not install any other adapter. Do not remove the Wireless LAN Adapter when the iPronto is activated. After the Wireless LAN Adapter is installed, there is no need to remove it. It can permanently be left inside the iPronto.

Installing and Recharging the Battery

Installing

After installing the Wireless LAN Adapter, you install the battery. The battery is precharged, but it is advisable to fully charge the battery when you start using the iPronto. See *Recharging* on page 13.

Insert the battery as follows:

- 1 Lift the stand (figure 1).
- 2 Open the battery cover by pushing the grips and sliding off the cover in the direction indicated below (figure 2).



Figure 1



Figure 2

Installing and Recharging the Battery

- 3 Attach the battery connector to the provided socket (figure 3).
- 4 Put the right side of the battery under the provided hook (figure 4).



Figure 3



Figure 4

Installing and Recharging the Battery

- 5 Push the left side of the battery down into its place.



- 6 Close the battery cover.

Installing and Recharging the Battery

Recharging

The iPronto is provided with a power adapter to recharge the battery.

It is best to fully recharge the battery. It takes 2 to 3 hours to recharge the battery. Recharging automatically stops when the battery is full.

If you recharge when the battery is completely empty, you might lose some of your settings.

In normal use, recharge every 2 days. When you use the iPronto very frequently, recharge every day.

You can use the iPronto while it is being recharged. While the battery is being recharged, the Status Display shows a full battery indication.

Plug in the power adapter as shown in the illustration:



The first time you put the battery in the iPronto, the iPronto will start up automatically and guide you to the System Settings. This may take 1 to 2 minutes. Continue with the next chapter, *Getting the iPronto Up and Running*, to adjust the settings.

Getting the iPronto Up and Running

This chapter is divided in two parts. In the first part, *Setting up your iPronto* from page 15 on, you read how to define the general settings. The second part, *Setting up your Network* starting on page 20, tells you about setting up your wireless network and Internet connection.

The first time you activate your iPronto, it will lead you through some initial screens and messages. After these messages the System Settings will **automatically** appear on the screen. These settings are divided into five tabs:



System Settings

- **General:** On this tab you adjust general settings such as time, power off time out and system sounds. See *Setting up Your iPronto* below.
- **Wireless:** On this tab you set the wireless settings. You need to define these settings so the iPronto can be connected to your network and to the Internet. See *Wireless Settings* on page 21.
- **Network:** On this tab you define your network settings. See *Network Settings* on page 23.

Getting the iPronto Up and Running

- **Status:** On this tab you get an overview of your network settings. You can also check the network signal strength here.
- **About:** On this tab you read information about licence terms and agreements. When you tap the 'Upgrade iPronto' button, the iPronto checks if updates of your software are available. When there are updates available, you can download them from the Internet immediately. With the 'Reboot iPronto' button you can quickly reboot your iPronto.

Note While adjusting the System Settings, it is useful to operate the touch screen with the stylus. See The Touch Screen on page 27 for more information.

Setting up Your iPronto

After installing the Wireless LAN Adapter and the battery, you need to calibrate your touch screen and define the settings on your iPronto, such as time and date, brightness, time out and so on. These settings are necessary to make your iPronto function properly.

The first time you activate your iPronto, the System Settings will **automatically** appear on the screen.

To access the System Settings later, follow this procedure:

- Press and hold the scroll wheel for 5 seconds.
The page turns to its flipside.

To exit the System Settings:

- Press the scroll wheel again.
-or-
- Tap the **View Control** button in the lower left corner of the touch screen.
The page turns to its normal view.

Getting the iPronto Up and Running

Calibrating the Touch Screen

On first use, you need to calibrate the touch screen of your iPronto. By calibrating, you improve the accuracy of the touch screen.

- 1 Select the **General** tab in the System Settings.
- 2 Tap the **Calibrate touchscreen** button.
The **Calibration** screen appears.
- 3 Follow the instructions that the iPronto provides.
When calibration has succeeded, you hear a success sound.

Adjusting the Timezone

You need to set the timezone to enable your Electronic Program Guide to display the correct data at the right time.

- 1 Select the **General** tab in the System Settings.
- 2 Select the **Timezone** dropdown list.
A list of all timezones appears.
- 3 Select your timezone from the **Timezone** dropdown list.

Adjusting the Time Format

- 1 Select the **General** tab in the System Settings.
- 2 Select the **Time Format** dropdown list.
A list of time formats appears. You have two possibilities:
 - 12 hour clock (for example 2:00 PM);
 - 24 hour clock (for example 14:00 H).
- 3 Select the time format in the **Time Format** dropdown list.

Adjusting the Time

- 1 Select the **General** tab in the System Settings.
- 2 In the **Time** section, select the **Hours** box.
The selection appears with a highlighted border.
- 3 Use the **+** and **-** buttons to change the hour.
- 4 In the **Time** section, select the **Minutes** box.
The selection appears with a highlighted border.
- 5 Use the **+** and **-** buttons to change the minutes.
- 6 When you have set the Time Format to '12 hour clock':
 - 1 In the **Time** section, select the **AM/PM** box.
The selection appears with a highlighted border.
 - 2 Use the **+** and **-** buttons to change AM or PM.

Adjusting the Date Format

- 1 Select the **General** tab in the System Settings.
- 2 Select the **Date Format** dropdown list.
A list of date formats appears. You have two possibilities:
 - month/day/year (for example 12/31/2003);
 - day/month/year (for example 31/12/2003).
- 3 Select the date format in the **Date Format** dropdown list.

Getting the iPronto Up and Running

Adjusting the Date

- 1 Select the **General** tab in the System Settings.
- 2 Select the box that you want to modify (**Months, Days** or **Years** box). The selection appears with a highlighted border.
- 3 Use the **+** and **-** buttons to set the correct months, days and years.

Adjusting the Brightness

You can set the brightness of the touch screen in 16 intervals.

- 1 Select the **General** tab in the System Settings.
- 2 In the **LCD Brightness** section, use the **+** and **-** buttons to set the brightness.

Adjusting the Power off Time Out

Time Out when iPronto is running on the battery

- 1 Select the **General** tab in the System Settings.
- 2 In the **LCD power off when on batteries** section, use the **+** and **-** buttons to set the LCD time out. You can choose a time out between 30 seconds and 15 minutes.

Time Out when iPronto is plugged into the power adapter

- 1 Select the **General** tab in the System Settings.
- 2 In the **LCD power off when AC plugged in** section, use the **+** and **-** buttons to set the LCD time out. You can choose a time out between 30 seconds and 14 minutes, or you can choose to always leave the display on.

Getting the iPronto Up and Running

Adjusting the Power On Settings

- 1 You can power on the iPronto in several ways after it was powered off.
- 2 Select the **General** tab in the System Settings.
In the **Power on** by section, select:
 - **Power Button & Touch & Tilt** to power on the iPronto when the Power Button is pressed, when the screen is tapped or when the iPronto is tilted.
 - **Power Button & Touch** to power on the iPronto when the Power Button is pressed or when the screen is tapped.
 - **Power Button** to power on the iPronto only when the Power Button is pressed.

Adjust the System Sound Settings

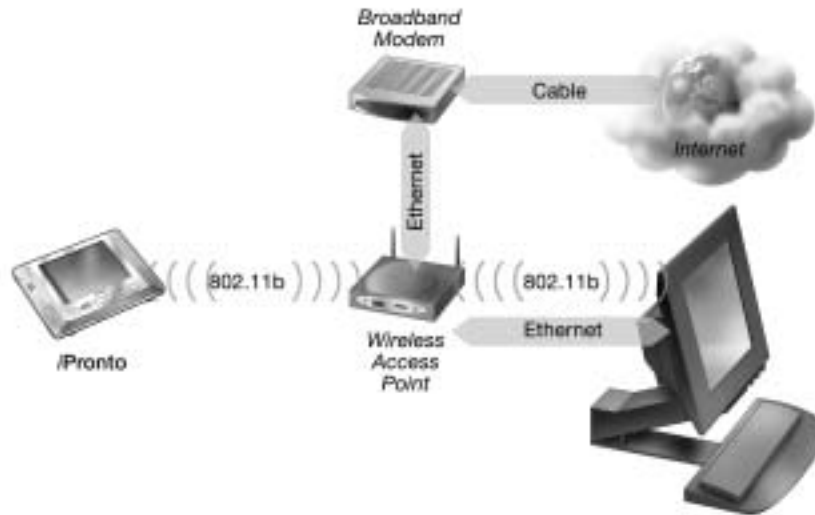
You hear the system sounds when you tap a button on the touch screen, go to the Application Settings, go to the System Settings, and so on. You can decide to switch the system sounds on or off. When the system sounds are switched on, you can adjust the volume by scrolling the scrollwheel.

- 1 Select the **General** tab in the System Settings.
- 2 In the 'System sounds' section, select:
 - **On** (adjust volume with scrollwheel): if you want to hear the system sounds;
 - **Off**: when you do not want to hear the system sounds.

Getting the iPronto Up and Running

Setting up Your Network

After adjusting the settings in the **General** tab, you have to set your wireless settings and network settings in the **Wireless** and **Network** tabs. These settings depend on the kind of home environment you have. You can find more information about home networks in the iPronto Online Help at <http://www.pronto.philips.com/products/ipronto/help/>. In the illustration below you see an example of a configuration.



Example of a Configuration

Getting the iPronto Up and Running

Wireless Settings

After setting the general settings, you need to set the wireless settings. This is needed so your iPronto can connect to your home network and to the Internet, and to communicate with iProntoEdit. The Wireless Access Point (WAP) sends out RF (radio frequency) signals to the iPronto's Wireless LAN Adapter. The iPronto must use the same wireless settings as the WAP.

How to define your WAP settings on the iPronto, depends on the kind of home environment you have. You can find more information about the WAP settings on your PC or in the WAP's manual, or you can obtain information from the person who configures your home network.



Wireless tab of the System Settings

Getting the iPronto Up and Running

Follow these steps to set your wireless settings.

- 1 Press and hold the scroll wheel for 5 seconds to display the System Settings.
- 2 Select the **Wireless** tab in the System Settings.
- 3 To change the default name of the Service Set Identifier (SSID), enter the new name in the **Service Set Identifier** text box. The SSID is a name that identifies your wireless network.
- 4 If encryption is enabled in your wireless network, select the correct encryption in the **Wireless Network Encryption** section:
 - 64 bit;
 - 128 bit.
- 5 If encryption is enabled in your wireless network, enter your Encryption pass phrase in the **Encryption pass phrase** text box.
The **Encoding key** text box is automatically filled in. The Encryption pass phrase must be identical to your WAP's Encryption pass phrase.

Getting the iPronto Up and Running

Network Settings



Network tab of the System Settings

The network settings determine how your iPronto will connect to the Internet.

Note You can find information about your network settings on your PC or you can obtain information from your Internet Service Provider.

You can set the network settings as follows:

- 1 Press and hold the scroll wheel for 5 seconds to display the System Settings.
- 2 Select the **Network** tab in the System Settings.

Getting the iPronto Up and Running

- 3 To create a personal name for your iPronto, enter the name in the **iPronto host name** text box.

The host name will be visible when you are using iProntoEdit or when you use your iPronto with the NetX. Make the iPronto host name as meaningful as possible. You can use a maximum of 64 characters.

You can find more information about the NetX in *Using the iPronto Remote Control with the NetX* on page 43.

After entering the iPronto host name, you determine the type of IP address you use. An IP address is a number that identifies you on the Internet. You have two options:

- **Use DHCP** (Dynamic Host Configuration Protocol). Your iPronto's IP address will automatically be assigned by the DHCP server.
- **Use a fixed IP address**. You have only one IP address that you assign to your iPronto and that never changes.

If you use DHCP

- 1 In the **Network Configuration** section, select Use DHCP.

The **IP address**, **Subnet mask**, **Default gateway**, **Local domain name**, **DNS1** and **DNS2** text boxes are automatically filled in. You can manually modify the **DNS1** and **DNS2** text boxes.



Selecting DHCP

Getting the iPronto Up and Running

If you wish to use a fixed IP address

Note When you have a fixed IP address, you can find the information you need to adjust the network settings (IP address, Subnet mask, Default gateway, Local domain name and DNS) in your home network configuration or you can obtain information from the person who configures your home network.

- 1 In the **Network Configuration** section, select **Fixed IP**.
Selecting Fixed IP



- 2 In the **IP address** text box, enter the IP address you wish to use.
- 3 In the **Subnet mask** text box, enter your Subnet mask.
- 4 In the **Default gateway** text box, enter your Default gateway.
- 5 In the **Local domain name** text box, enter your Local domain name.
- 6 In the **DNS1** and **DNS2** text boxes, enter the DNS servers you wish to use.

Proxy

When, in addition, you use a proxy server in your home network or at the Internet Service Provider, you have to adjust the Proxy settings.


- 1 Select the **Use HTTP Proxy** checkbox.
The **Proxy Address** and **Proxy Port** text boxes and the **Use Password Authentication** section are activated.
- 2 In the **Proxy Address** text box, enter the IP address of the Proxy server.
- 3 In the **Proxy Port** text box, enter the Proxy port.

Getting the iPronto Up and Running

- 4 If your Proxy uses password authentication, select the **Use Password Authentication** checkbox. The **Username** and **Password** text boxes are activated.
 - 1 In the **Username** text box, enter your username.
 - 2 In the **Password** text box, enter your password.

Testing the Network and Internet Connection

After setting the network settings, you can test whether the iPronto is able to communicate with your network and with the Internet:

- 1 Press layout button 8 (at the bottom) in the touchstrip. If all settings are correct, the home page of the iPronto Portal appears.
- 2 If the iPronto Portal does not appear, recheck the settings in this chapter or go to *Troubleshooting* on page 56.
- 3 After defining new settings, tap the  button to reload the iPronto Portal page in layout 8. If the new settings are correct the iPronto Portal appears.

After setting the wireless settings and network settings, the iPronto is ready for use. In the next chapter, *Using the iPronto*, you learn the basics: using the touch screen, what the buttons are for, how you navigate on the iPronto and so on.

Using the iPronto

Once you have adjusted the general settings and network settings, you can start using the iPronto. In this chapter you read how to operate the touch screen, what the hard buttons are for and how you can use the iPronto's applications and functions.

The Touch Screen

You can operate the iPronto touch screen in two ways. One way is to use the plastic-tipped stylus, specially designed for use on a touch screen. The stylus is very useful if you want to tap a small area on the touch screen, because it is very precise.

Warning *Never use an actual pen, pencil or other sharp object. These objects can damage the touch screen.*

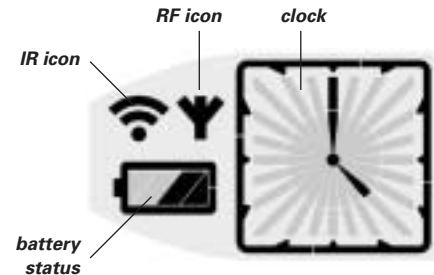
You can also operate the touch screen with your finger. This is less precise than using the stylus. However, you may find it more comfortable to use your finger on the touch screen.

The Status Display

Below the touch screen, the iPronto has a small screen. This second screen is always on, even when the iPronto has been switched off. It displays the **time** and **battery status**.

The status display also displays an **RF icon** and an **IR icon**.

Whenever the iPronto is communicating over your home network, the **RF icon** is on. The **IR icon** gives you feedback when you are using the iPronto's Remote Control: every time you tap a button on the touch screen or press a hard button that sends an IR code to your device, the IR icon flashes.



The iPronto's External Controls

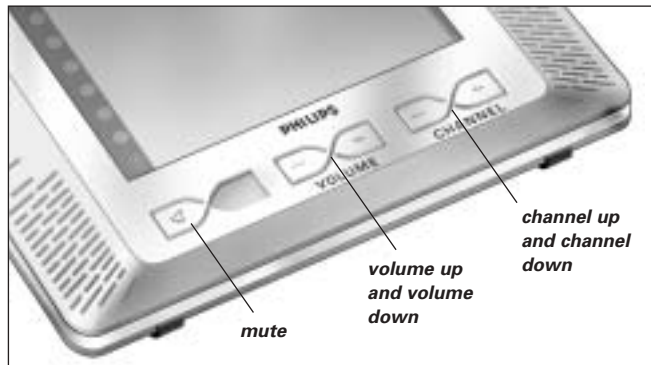
The Power Button

The iPronto's Power button (located on the left side of the iPronto) is used to switch the iPronto **on** when it is powered off. In the System Settings you can decide on other options for powering on the iPronto. See *Adjusting the Power On Settings* on page 19.

You can also use the Power button to switch the iPronto **off** at any time.

The Remote Control buttons

The iPronto has five buttons on the front panel. They always operate the iPronto's **Remote Control (RC)**: When you are working with the iPronto's Electronic Program Guide or browser, these buttons will still have RC functions. By default, the RC buttons have the following functions:



You can change these default functions with the iPronto's "learning" tool. This means that the iPronto will learn an IR (infrared) code from the existing RC of your device, for instance your TV. See *Learning IR Codes* on page 38.

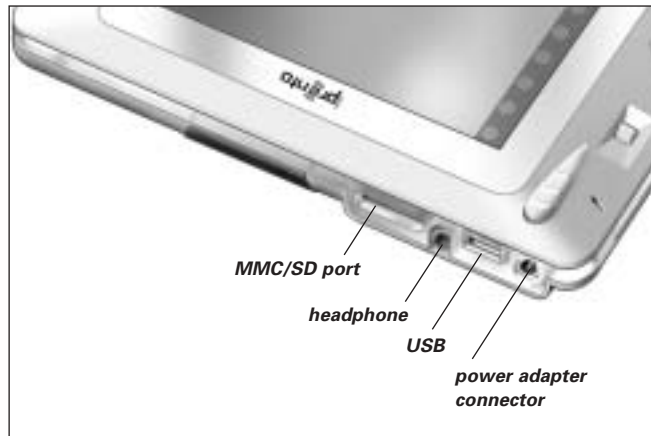
Using the iPronto

The Scroll Wheel

The iPronto's scroll wheel is located on the left side of the touch screen. By **scrolling** the wheel you adjust the volume of the **iPronto** (success beeps and so on) in 20 intervals.

By **pressing and holding** the scroll wheel for 5 seconds, you enter the System Settings to adjust settings such as time, date, network, and so on.

The External Connections



The MMC/SD slot, the headphone connection and the USB port are currently not operational.

Navigating the iPronto

Layouts and Touchstrip

The iPronto has 8 predefined ways of organizing the screen, called “layouts”. You can switch between these layouts with the touchstrip.



Using the iPronto

When you tap one of the 8 buttons in the touchstrip, the corresponding layout appears:

- Layout 1 is a Remote Control screen;
- Layout 2 is an EPG screen;
- Layouts 3-7 are Browser screens with various URLs;
- Layout 8 is a read-only browser that takes you to the iPronto Portal. Here you can find all kinds of useful information about the iPronto:
 - You can learn about new **software** for your iPronto;
 - You can **subscribe to the iPronto EPG application** and modify your lineup;
 - You can find **iPronto Online Help**;
 - You can read the latest **news**;
 - You can find interesting **links**;
 - ...

Flipside and Settings

On the iPronto, every application has a flipside. On this flipside you can read application information and modify settings.

There are two kinds of settings on the iPronto. The **System Settings** are general and applicable to every application. **Application Settings** are specific for one application in one layout. For example: the Home Page of a Browser that can differ in different layouts.

For more information on System Settings, go to *Getting the iPronto Up and Running* on page 14.

Note *You cannot modify the Application Settings of layout 8 (the iPronto Portal).*

Using the iPronto

Accessing the Application Flipside

- 1** To access the **Application Flipside**, tap and hold the **View Control** button in the lower right corner of the application page for 5 seconds.
The application turns to its flipside.
- 2** To return to the normal view, tap the **View Control** button in the lower left corner of the screen.

The Keyboard

The iPronto is provided with an on-screen keyboard. You need this keyboard to enter text in text boxes, for example to enter a URL in the browser.

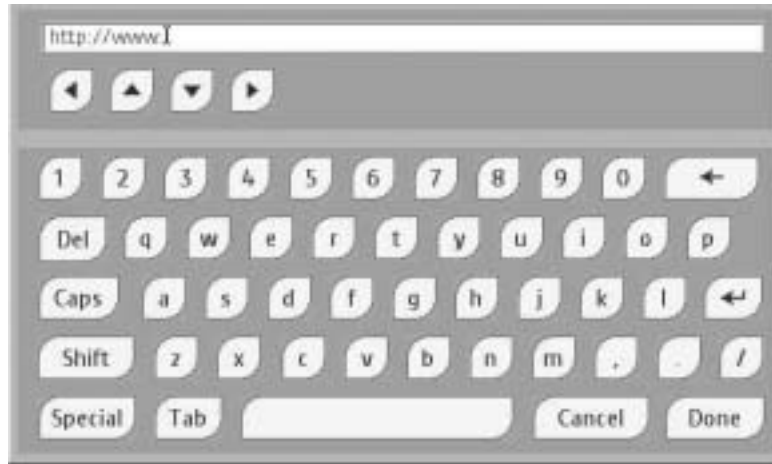
When you tap a text box, the on-screen keyboard automatically appears. A greyed out text box indicates that you cannot enter text in it and that there is no on-screen keyboard available.

The on-screen keyboard has its own text box, which displays the same text as the application's text box. Depending on the text box that you tap, the keyboard's text box consists of either 1 (for example when you enter a URL) or 3 lines (for example when you fill in a form on the Internet). When a one-line text box appears, you can only enter one line of text. When a three-line text box appears, you can enter multiple lines of text. If your text consists of more than three lines, a scroll bar appears.

Working with the Keyboard

- 1** Tap the text box in which you want to enter text.
The on-screen keyboard appears.


Using the iPronto



On-screen Keyboard

- 2 To enter text, tap the buttons with characters, numbers, punctuation and the space bar.
- 3 To enter one character in upper case, tap the **Shift** button.
The character you enter right after tapping Shift will appear in upper case.
- 4 To enter multiple characters in upper case, tap the **Caps** button.
All the characters you enter after tapping Caps will appear in upper case, until you tap the Caps button again.
- 5 To enter a symbol, tap the **Special** button.
The symbols appear on the buttons and you can tap the symbol you need. After tapping a symbol, the normal characters reappear on the buttons.

Using the iPronto

- 6 To go to a new line (only in a multi-line text box), tap the  button.
When you keep on typing the cursor automatically moves to the next line when the end of the line is reached.
- 7 To position the cursor, tap the place in the keyboard's text box where you want to position the cursor.

-or-

Use the keyboard's arrow keys to move up, down, left or right.

- 8 Tap **Done**.
The keyboard closes and the text appears in the text box.

-or-

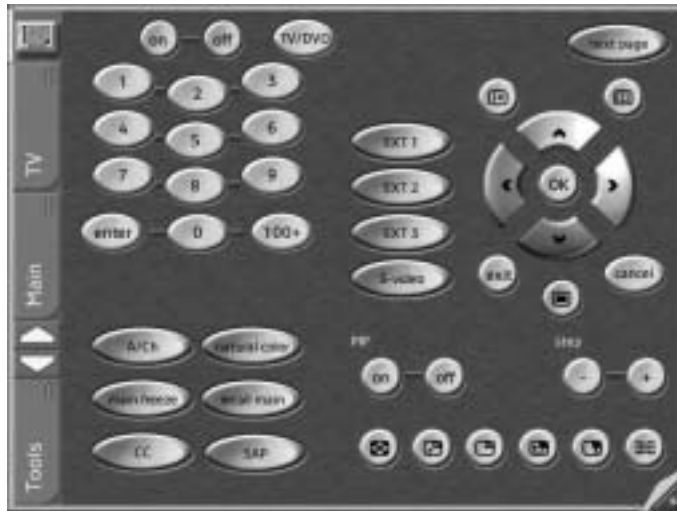
Tap **Cancel**.
The keyboard closes and the text does not appear in the text box.

The Remote Control

In this chapter you can find **general** information about the iPronto Remote Control application. You can find **detailed** and frequently updated information in the iPronto Online Help at <http://www.pronto.philips.com/products/ipronto/help>.

The iPronto Remote Control (RC) is a **universal** RC. This means that it can be used for virtually any audio and video device, such as a TV, VCR, DVD, CD and so on. As long as your device understands IR codes, the iPronto RC can control it. This way, the iPronto RC replaces the individual RCs that accompany your devices.

You access the iPronto RC via the touchstrip: Layout 1 is a RC. See *Layouts and Touchstrip* on page 30 for more information.



iPronto Remote Control

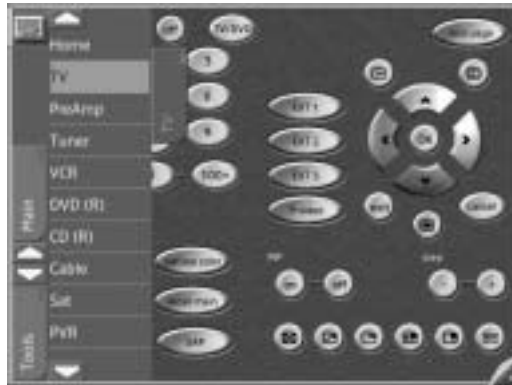
The Remote Control

How Does the iPronto RC Work?

The core element of the iPronto RC is its “configuration file”. This iPronto Configuration File or iCF determines what the interface on the iPronto RC looks like and how the iPronto RC behaves.

The iCF stores several predefined devices. These devices represent your existing remote controls. Each device consists of one or more pages with buttons on them.

By tapping the **iPronto icon** you can go back to the Home page (the Device Overview). You can access the **devices** from the Device tab or from the Device Overview. When you tap a device in the Device tab or in the Device Overview, you immediately jump to the first page of that device.



Device tab

The Remote Control

Learning IR Codes

The iPronto RC sends out infrared (IR) signals to your devices, which will execute an action, for example "TV On" or "VCR Start Recording".



For every action the iPronto sends out a specific IR signal, called an "IR code". The iPronto RC contains a huge database that contains numerous IR codes for all kinds of devices.

The iPronto RC is set up by default to operate Philips and Philips compatible devices. If you have other brands, the iPronto has to "learn" the specific IR codes for your device from the existing RC that accompanies the device. This means that you press the button on the existing RC and point it to the iPronto's learning eye:

The iPronto RC will learn the IR code from the existing remote control. You can learn all soft buttons and hard buttons on the iPronto.

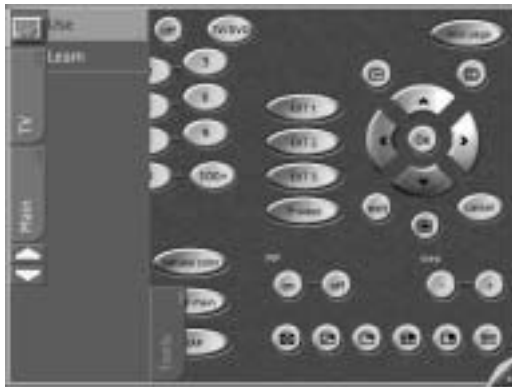


The Remote Control

Note The function of the hard buttons is always device-independent. This means that a hard button always executes the same action, no matter what device is active.

Follow these steps to “learn” an IR code for a soft button or for a hard button.

- 1 Place the iPronto **in line with** the existing remote control. Make sure you point the existing remote control to the iPronto’s learning eye.
- 2 On the iPronto, select a layout with a **Remote Control** application.
- 3 To learn a soft button, open the page on your iPronto that contains the button you want to learn.
- 4 Tap the **Tools** tab on the left side of the screen.
The Tools tab opens.



Tools tab

The Remote Control

- 5 Tap the **Learn** tool.
The label **Learn** appears on the **iPronto** icon. The **Device** and **Page** tabs are disabled. A message appears.
- 6 Tap the **Go** button in the message.
- 7 For learning a soft button, select the soft button you want to learn.
The button is highlighted.

-or-

For learning a hard button, press the hard button you want to learn on the iPronto.
A message appears.
- 8 Press and hold the button on the existing remote control.
The existing remote control sends out an IR code.
If learning succeeds, the iPronto RC beeps and **OK** appears on the screen.
If learning does not succeed, the iPronto beeps and **Button Learn Failed** appears on the screen.

Note When learning fails, keep the following guidelines in mind:

- Make sure you aim the IR sender of the existing remote control to the iPronto's learning eye;
- Try increasing or decreasing the distance between the iPronto and the existing remote control;
- Try learning in a different angle;
- Make sure the batteries of the iPronto or of the existing RC are not low;
- Avoid learning under bright fluorescent light or direct sunlight: it might affect the IR signals.

When learning still fails, check out the Frequently Asked Questions section on <http://www.pronto.philips.com> for more information.

Using iProntoEdit

When you buy an iPronto, it is supplied with a **default** iCF. However, you can also **personalize** the functions and the look of the iPronto. You can do this with **iProntoEdit**. iProntoEdit is the visual editor for creating and configuring iCFs on your computer. You can download the latest version of iProntoEdit and the accompanying manual from the Downloads section at <http://www.pronto.philips.com/>.

With iProntoEdit, you can fully define the iPronto user interface, for example:

- You can perform basic actions, such as:
 - Deleting and adding devices;
 - Deleting and adding pages;
 - Deleting and adding buttons or panels;
- You can easily position elements on a page with simple tools, such as:
 - Setting a Grid and Border;
 - Centering elements;
 - Setting the Z-order of elements.
- You can design pages with buttons and bitmaps, for example:
 - Adding bitmaps to a button for its pressed and released state;
 - Importing an entire gallery with your own buttons or bitmaps;
 - Changing the color of elements;
- You can configure elements, such as:
 - Labeling buttons, pages and devices.
 - Adding a complete action list (also called “macros”) to a button, with an IR command, links, delays, beeps and jumps.
 - Adding IR codes from iProntoEdit’s universal database.
- You can set up the NetX. You can find more information about the NetX in *Using the iPronto Remote Control with the NetX* on page 43.

The Remote Control

To modify the iCF with iProntoEdit, you have to be able to transfer the iCF from the iPronto to your PC and vice versa. This is called “uploading” and “downloading” respectively. You can upload the iCF from your iPronto to the PC and download the iCF from the PC to your iPronto via your home network.



Uploading and Downloading

Note To upload and download an iCF, the iPronto and your PC have to be connected to the same network.

To upload or download an iCF, open iProntoEdit on your PC and click the Upload button to upload the iCF into iProntoEdit, or click the Download button to download the iCF to the iPronto.

You can find more information on uploading and downloading in iPronto Online Help at <http://www.pronto.philips.com/products/ipronto/help/> and in the online Frequently Asked Questions section at <http://www.pronto.philips.com>

Using the iPronto Remote Control with the NetX

The **NetX** is a part of the Philips Connected Home solution and extends the control of iPronto beyond the line of sight and into multiple rooms. Via the NetX your iPronto can control your A/V and Home Control devices from virtually any location in your home.

The NetX receives signals sent out by iPronto via your WiFi 802.11b wireless home network and converts them into infrared (IR) signals. These IR signals are then sent out to your IR controlled A/V and home control devices.

You can find more information about the NetX in the iPronto Online Help at

<http://www.pronto.philips.com/products/ipronto/help>.

The Browser

In this chapter you can find **general** information about the iPronto Browser application. You can find **detailed** and frequently updated information in the iPronto Online Help at <http://www.pronto.philips.com/products/ipronto/help>.

You use the iPronto browser to access the Internet. The iPronto browser functions the same way as a regular PC browser: it has Back, Forward, Home, Reload and Stop buttons, you can enter URLs, see the downloading progress and scroll with the scroll bar.



iPronto Browser

Setting the Home Page

In the Browser Settings, you can set the Home Page for every individual browser in every layout. When you press the Home button, this page is always displayed.

- 1 Open the browser that you want to configure.
- 2 Tap and hold the **View Control** button for 5 seconds to display the Application Settings. The flipside of the browser appears.



Browser flipside

- 3 In the **Homepage URL** text box, enter the URL of the Home Page with the on-screen keyboard. See *The Keyboard* on page 33 for more information.

-or-

To set the currently active web page as Home Page, tap the **Use Current** button.

Note You cannot modify the home page of layout 8. With layout 8 you always enter the **iPronto Portal**.

Entering a URL

The URL that you are visiting is displayed in the bar at the top of the browser. You can enter a URL with the iPronto's on-screen keyboard.



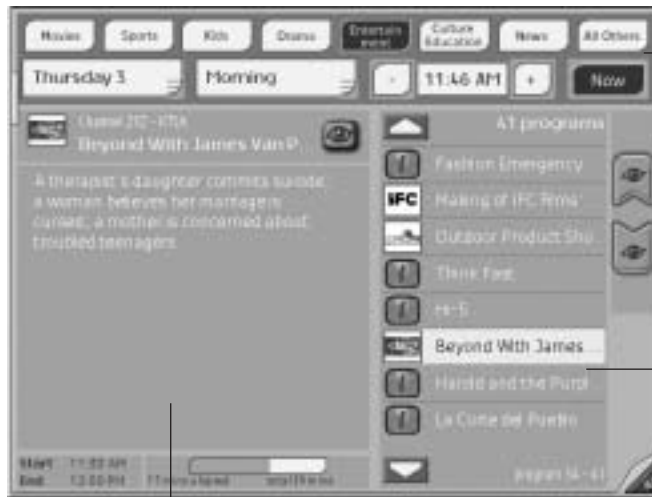
- 1 Tap the text box on the touch screen.
The on-screen keyboard appears.
- 2 Enter the URL with the on-screen keyboard.
The URL appears in the keyboard's text box.
- 3 Tap the **Done** button to close the keyboard.
See *The Keyboard* on page 33 for more information.

The Electronic Program Guide

In this chapter you can find **general** information about the iPronto Electronic Program Guide application. You can find **detailed** and frequently updated information in the iPronto Online Help at <http://www.pronto.philips.com/products/ipronto/help>.

One of the iPronto's key applications is the Electronic Program Guide. An Electronic Program Guide (EPG) is the electronic equivalent of a printed television program guide. But the iPronto's EPG is not a regular EPG: It is unique because of its **direct interaction** with the iPronto's Remote Control. While browsing through the Electronic Program Guide, you can immediately switch your TV to the channel.

Note Before you can use the iPronto EPG, you have to subscribe online. See Subscription on page 50 for more information.




filter settings

program overview

The Electronic Program Guide

- In the **filter settings** you can select the genre, date and time to obtain information about programs in the future. You can choose a day and the time of the day (morning, afternoon, evening and night) from dropdown lists or you can set the exact time with the + and – buttons.


If you tap the  button, the EPG data will automatically display the programs currently playing of the genre(s) you have selected.

- In the **program overview** the list of programs that meet your selection criteria, which you defined in the upper part of the screen, appears.
- The **detailed information** for the selected program is displayed in the left part of the screen: subject, actors, start and end time, and so on.

For example, tap the Movies button and select Wednesday Evening, 8:00 PM in the filter settings. A list of movies that are playing at that time on Wednesday will appear in the program overview. When you select one of the movies in the list, a detailed description will appear in the left part of the EPG.

The EPG has two power features:

The Watch Feature

When you select a program in the program overview, you can immediately **surf** to this program with the  button. This Watch button only appears when you select a program that is currently playing on TV.

The SmartSurfer

When you are displaying a list of programs that are **currently** playing in the program overview, the  buttons appear. With these **SmartSurf** buttons you can easily **surf** through the programs in the list. For example: if you want to watch sports but not drama or home shopping, then tap “sports” and flip through only what you want to see: football, soccer, baseball, tennis, car racing. With the SmartSurf buttons your TV will simply surf through the sports shows that are on TV and it will skip channels that do not broadcast sports shows, even during commercial breaks.

The Watch Device Selection Mechanism

The Watch Feature and SmartSurfer only function if you apply correct settings in EPG and in RC. You have to set the **Watch Device selection mechanism** in the EPG settings. The Watch Device selection mechanism determines how the TV switches channels. A TV can use, for example, a **10+** button, or an **Enter** button to switch channels.

- 1 Tap and hold the **View Control** button to display the EPG settings.
The EPG page turns to its flipside.
- 2 Select the **Settings** tab.
- 3 Select your type of Watch Device selection mechanism:
 - **'2 digits'** Select this option if, to switch your device to channel 15 for example, you need to press 1 – 5.
 - **'3 digits'** Select this option if, to switch your device to channel 15 for example, you need to press 0 – 1 – 5.
 - **'4 digits'** Select this option if, to switch your device to channel 15 for example, you need to press 0 – 0 – 1 – 5.
- 4 You can check the **Use Start command** check box if you want the iPronto to send out a 'Start' macro before it switches channels.
You can define your own 'Start' macro with iProntoEdit. You can find more information about iProntoEdit in the Help Menu of iProntoEdit.
- 5 Check the **Use Enter command** check box if, to go to a certain channel, you need to press Enter after pressing 2, 3 or 4 digits.
- 6 Check whether the Watch Device is functioning correctly on the **iPronto RC**. The iPronto EPG reuses the RC's IR codes. If the Watch Device in the ICF of the RC does not function properly, you should "learn" the correct IR code for the relevant button or attach the correct IR code with iProntoEdit.
See *Learning IR Codes* on page 38 and *Using iProntoEdit* on page 41.
You can find elaborate information about the Watch Device selection mechanism in the iPronto Online Help at <http://www.pronto.philips.com/products/ipronto/help>.

Subscription

Before you can use the EPG, you have to:

- Subscribe;
- Personalize;
- Activate.

First you should **subscribe** on line. After the subscription you can **personalize** your lineup so only information on the channels that you find interesting appears in the EPG. After subscribing, you receive an **activation key**, which you enter in the EPG settings on your iPronto. Once you have personalized and activated your subscription, the iPronto EPG is ready for use.

Subscribing

- 1 Use an iPronto browser or your PC browser to navigate to the online EPG Subscription Pages at <http://www.pronto.philips.com/products/ipronto/epg/>. The **Login** page appears.
- 2 Enter the **Username** and **Password** that you use on the Pronto website at <http://www.pronto.philips.com>. If you are not registered for the Pronto site yet, register first. The EPG welcome page appears.
- 3 Tap or click the **Create Subscription** button. The 'Create a Subscription – Details' page appears.



Subscription Name	<input type="text" value="Name"/>
For which Product	<input type="text" value="- Choose product -"/>
In which Region / Country do you live	<input type="text" value="- Choose region -"/>

The Electronic Program Guide

- 4 In the **Subscription Name** text box, enter a name for your subscription.
The Subscription Name can consist of maximum 25 characters.
- 5 In the **For Which Product** dropdown list, select **iPronto**.
- 6 In the **In Which Region/Country Do you Live** dropdown list, select the correct region/country.
- 7 Tap or click the **Next** button.
The 'Create a Subscription - License Agreement' page appears.
- 8 Tap or click the **I Agree** button to accept the License Agreement.
The 'Create a Subscription – Summary' page appears.
- 9 Check whether your subscription details are correct and tap or click the **Next** button.
The 'Create a Subscription – Activation Key' page appears.
Write down your activation key here:

.....

After the registration, you can **personalize** the information that will be sent to you.
The procedure for personalizing EPG data is not the same for US iPronto users and European iPronto users.

- When you live in the US, follow the procedure *Personalizing for the United States* below;
- When you live in Europe, follow the procedure *Personalizing for European Countries* on page 52.

Personalizing for the United States

- 1 In the 'Create a Subscription – Activation Key' page, tap or click the the **Proceed to personalization** button.
The **Personalization Wizard – Home Page** appears.
- 2 Tap or click the **Add a lineup** button.
The **Personalization Wizard – step 1** page appears.

The Electronic Program Guide

- 3 In the **Zip/Postal Code** text box, enter your zip code.
- 4 Tap or click the **Next** button.
The **Personalization Wizard – Step 2** page appears.
- 5 Select your **TV signal source**.
A TV signal source can be cable, local broadcast, satellite and cable digital.
- 6 Tap or click the **Next** button.
The **Personalization Wizard – Step 3** page appears.
- 7 Select your **provider**.
- 8 Tap or click the **Next** button.
The **Personalization Wizard – Step 4** page appears.
- 9 Enter a **name** for your subscription.
- 10 Deselect the **stations** for which you do not want to receive EPG data.
The deselected stations will not be available on the iPronto EPG.
- 11 Tap or click the **Finish** button.
The **Personalization Wizard – Home Page** appears again.

Personalizing for European Countries

- 1 In the 'Create a Subscription – Activation Key' page, tap or click the the **Proceed to personalization** button.
The **Personalization Wizard – Home Page** appears.
- 2 Tap or click the **Add a lineup** button.
The **Personalization Wizard – step 1** page appears.

The Electronic Program Guide

- 3** Select your **TV signal source**.
You can select 'Cable', 'Satellite' or 'Antenna'.
- 4** Tap or click the **Next** button.
The **Personalization Wizard – step 2** page appears.
- 5** In the **Name** text field, enter a name for your lineup.
- 6** Tap or click the + symbol in front of the language to expand the stations list.
The list of available stations in the selected language expands.
(Tap or click the – symbol in front of an expanded list to collapse the stations list.)
- 7** In the **Select** column of the table, check the check box of every station for which you want to receive EPG data.
- 8** In the **Channel** column of the table, enter the channel number of the every station for which you want to receive EPG data.
- 9** Repeat steps 6 to 8 for all the channels in all the languages for which you want to receive EPG data.
- 10** Tap or click the **Next** button.
The **Personalization Wizard – Step 3** page appears.
- 11** Check the stations and channel numbers that you have defined.
If necessary, click the Back button to modify the stations or channel numbers.
- 12** In the **Personalization Wizard – Step 3** page, tap or click the Finish button.
The **Personalization Wizard – Home Page** appears again.

After the subscription you have to enter the activation key on the EPG flipside on your iPronto:

Activating

- 1 Open the EPG application in layout 2 on your iPronto.
The EPG appears.
- 2 Tap and hold the **View Control** button for 5 seconds to display the EPG settings.
The flipside of the EPG appears.
- 3 Select the **Activate tab** of the EPG flipside.
- 4 In the **Activation key** text box, enter your activation key with the on-screen keyboard.
- 5 Tap the **Activate** button.
The first EPG download starts.

Note *The first EPG data download may take about 30 minutes. After the initial download, the EPG will be fully functional and new data will be downloaded automatically every day. You also have the possibility to download EPG data manually in the EPG tab on the EPG flipside.*

Upgrading

On the About tab of the System Settings, an Upgrade iPronto button for downloading new software from the Internet is located.

If you tap the **Upgrade iPronto** button, the iPronto automatically checks if upgrades of your software are available on the Internet. When there are upgrades available, you can download them from the Internet immediately (at <http://www.pronto.philips.com> in the Downloads section). After downloading, the iPronto automatically reboots and any new software will be ready for use.

Note *iPronto will retain the homepages in the several layouts.*

It is advised to upload your iPronto Configuration File to iProntoEdit as a backup before you download new upgrades.

When new upgrades are available, you can read about them on the iPronto Portal via layout 8 in the touchstrip. When you have registered your iPronto on the Pronto site, you will also receive an email when upgrades are available.

To be able to check for upgrades, your iPronto has to be connected to your home network and to the Internet.

If you have problems during the upgrading process, check out the Frequently Asked Questions section on <http://www.pronto.philips.com>.

Troubleshooting

In this chapter you can find some useful instructions to solve problems that you may encounter while using your iPronto. You can find more elaborate and frequently updated information in the Frequently Asked Questions section at <http://www.pronto.philips.com>.

The soft buttons on my touch screen do not respond properly

It might happen that the buttons on your touch screen do not respond properly, for example when you have to tap to the left of the button instead of on the button. In this case, you should recalibrate the touch screen. Calibrating enables the iPronto to place the icons on the touch screen in line with their functions. See *Calibrating the Touch Screen* on page 16.

My iPronto switches off automatically

The iPronto has a power off time out function to save power. You can change the power off time out in the System Settings. See *Adjusting the Power off Time Out* on page 18.

Devices do not respond to the commands I send

- Make sure to point the iPronto's **sending eye** towards the A/V or home control device.
- Make sure there is no **obstruction** between the iPronto and the A/V or home control device.
- Check the **battery status** in the status display.
- Check if your device understands **Philips IR codes**. You can find this information in your device's manual. If your device does not understand Philips IR codes, you can:
 - Learn the IR code from the existing remote control. See *Learning IR Codes* on page 38.
 - Define a new brand with iProntoEdit. See *Using iProntoEdit* on page 41 or consult iProntoEdit Help in the Help menu of iProntoEdit on your PC for more information.
- Make sure the **RF settings** are set correctly. You can check the RF settings in iProntoEdit.
 - If you operate the A/V or home control device without the NetX, the RF settings should be set to IR enabled.
 - If you operate the A/V or home control device with the NetX, the RF settings should be set to RF enabled.

You can find more information in iProntoEdit Help in the Help menu of iProntoEdit on your PC.

Troubleshooting

My iPronto does not respond

When your iPronto does not respond, try the following:

- 1** The iPronto may be powered off. Press the Power button to power it on.
- 2** The battery may be low. Check the battery status on the status display. Recharge the battery if necessary.
See *Installing and Recharging the Battery* on page 10.
- 3** If steps 1 and 2 have no result, use the Reset button. The Reset button is located at the back of the iPronto, as indicated in the illustration:



Press the Reset button with a pointed object, such as an unfolded paperclip. The iPronto will reboot. Some settings may be lost, such as date and time settings.

- 4** If resetting does not help, contact your dealer.

Troubleshooting

I have activated the EPG application on my iPronto, but it still does not work

- When you subscribe on line for the iPronto EPG, you obtain an activation key. You should enter this activation key in the EPG settings within a limited period of time after subscribing on line. See *Activating* on page 54. If you do not activate within this period of time, you will have to get a new activation key from the EPG online subscription pages.
- When your EPG does not work, something might be wrong with your time, date or timezone settings. See *Setting up Your iPronto* on page 16.

The Watch Feature and the SmartSurfer of my EPG application do not work

- The Watch Feature and SmartSurf buttons only appear on your screen when “Now” information is displayed.
- Because the Watch Feature and SmartSurfer automatically surf between channels on your TV, you have to “tell” them **how** to surf channels. There are several ways to surf, for example with a **10+** button, an **Enter** button, and so on. In the **EPG settings**, you determine the way that your TV changes channels. See *The SmartSurfer* on page 48.
- The Watch Feature and SmartSurf buttons will only function if the Watch Device selection mechanism on your iPronto RC functions properly. Test whether the Watch Device selection mechanism functions correctly in the Watch Device of the iCF of the RC. If necessary, “learn” the IR code for the button (10+, Enter, ...) or use iProntoEdit to attach the correct IR code from the universal database. See *Learning IR Codes* on page 38 and *Using iProntoEdit* on page 41.

My browser does not work

- 1 Check the network settings in the System Settings.
See *Getting the iPronto Up and Running* on page 14. You can find more information about network settings in the Internet Settings on your PC. If you do not have a PC, you can obtain network information from your Internet Service Provider.
- 2 Check the RF icon in the status display.
If the RF icon is off, something is wrong with your wireless network.

Troubleshooting

- 1 **Check the settings on the Wireless tab.**
See *Wireless Settings* on page 21. If you have a PC, you can find more information about the wireless settings there. If you do not have a PC, you can find more information in the manual of your Wireless Access Point.
- 2 **Check the network signal strength in the Wireless tab of the System Settings.**
See *Getting the iPronto Up and Running* on page 14.
- 3 **Check whether the Wireless Access Point functions correctly by testing it with another device in your network, for example your PC.**
- 4 **Check the settings of your Wireless Access Point.**
If you have a PC, you can find more information about the Wireless Access Point there. If you do not have a PC, you can find more information in the manual of your Wireless Access Point.
- 5 **Check whether your Wireless LAN Adapter is installed correctly. The Wireless LAN Adapter has a green led. If this led is not on, something is wrong with your Wireless LAN Adapter.**
See *Installing the Wireless LAN Adapter* on page 8.

The iPronto browser does not display web pages the same way as the browser on my PC

Most web pages are optimized for viewing with a Netscape or Internet Explorer browser. That is why pages may look different on the iPronto browser.

- The iPronto browser has some limitations compared to a regular browser.
- The iPronto browser supports images of the .gif, .jpg and .png types.
- The iPronto browser does not support popup windows.
- Plugins are not supported. This means that you cannot download graphics, audio and video files.
- You cannot make a list of favorites or bookmarks.
- Cookies are only stored if there is enough memory available.
- The iPronto browser uses a different type of JavaScript than a regular browser. Therefore, some pages may be displayed differently or may not be displayed.
- There is a limit on the amount of memory space for applets. This means that large-size pages may not be downloaded. Applets may have an unpredictable behavior.

Download from www.Somanuals.com. All Manuals Search And Download.

Specifications

Display	Color TFT VGA screen with 65536 colors Resolution: 640x480 pixels
Wireless Network	IEEE 802.11b compliant WiFi 64 bit or 128 bit encryption Dynamic Host Configuration Protocol (DHCP) or Fixed IP Infrastructure mode support
Software	Database with IR codes to operate more than 500 brands Built in Philips IR codes Total number of devices only limited by memory Automatically updated Electronic Program Guide Internet browser for instant access to information Remote upgrades of software through web connection
Infrared (IR)	8 power LEDs for sending IR codes 1 receiving eye for receiving IR codes Operating distance of approximately 33 ft (10 m) Learning frequency up to 78 kHz and 455 kHz
Memory	64 MB of non-volatile flash memory and 64 MB of RAM
Battery	Rechargeable lithium-ion battery (7.4 V)
Power Management	Power on by tapping the touch screen, by pressing a button, by tilting the device Power off automatically or by pressing the Power button
Dimensions (HxWxD)	9.4 inch x 7.0 inch x 0.9 inch (240 x 178 x 23 mm)
Operating temperature	41°F to 113°F (5°C to 45°C)

Specifications

Accessories

Included:
CD-ROM with iProntoEdit software
Power adapter
Battery pack
Wireless LAN Adapter

Not included:
NetX (Network Extender)

iProntoEdit

PC Requirements:
Windows 98SE, ME, 2000 or XP
64 MB of RAM
70 MB of free hard disk space
IEEE 802.11b compliant WiFi
CD-ROM player
Broadband Internet access

IR-database information:

Redesigned by UEI Technology
Licensed under U.S. Patent 5,689,353
Portions © UIE 1999

Index

A

- About tab, 15
- activation, 54
- activation key, 50, 54, 58
- adapter
 - power, 13
 - Wireless LAN, 8
- application
 - Browser, 44
 - EPG, 47
 - Remote Control, 35
- Application Settings, 32

B

- battery
 - install, 10
 - recharge, 13
- brightness, 18
- Browser, 44, 58, 59
 - Home Page, 45
 - URL, 46
- button, 36, 38

C

- calibration, 16, 56
- configuration, 20

D

- date, 18
- date format, 17
- device, 36
- Device Overview, 36
- Device tab, 36
- download, 42

E

- Electronic Program Guide.
 - See EPG
- EPG, 47
 - activation, 54
 - detailed program information, 48
 - filter settings, 48
 - personalization, 51, 52
 - program overview, 48
 - SmartSurf, 48, 58
 - subscription, 50
 - Watch Feature, 48
- external connections, 29

F

- flipside, 32

G

- general settings
 - brightness, 18
 - calibration, 16
 - date, 18
 - date format, 17
 - power on, 19
 - system sounds, 19
 - time, 17
 - time format, 16
 - time out, 18
 - timezone, 16

H

- hard button, 28, 38
- headphone, 29
- help
 - iPronto Getting Started Guide, 4
 - iPronto Online Help, 4
 - iPronto Portal, 4
 - iPronto User Guide, 4
- Home Page, 45
- host name, 24

Index

I

iCF, 36
infrared. *See* IR
installing
 battery, 10
 iProntoEdit, 41
 Wireless LAN Adapter, 8
Internet, 44, 59
Internet Service Provider, 23
IP, 24
 DHCP, 24
 fixed, 24
IP address. *See* IP
iPronto
 box, 3
 parts, 6
 set up, 14
 using, 27
iProntoEdit, 41
IR
 code, 38
 icon, 27
 learn, 38
IR icon, 27
IR learning eye, 7
IR sending eye, 7
ISP, 23

K

keyboard, 33

L

layout, 30
LCD, 18
 brightness, 18
 time out, 18
learn, 38

M

MMC/SD, 29

N

navigate, 44, 59
network settings
 IP, 24
 proxy, 25
NetX, 43

O

on-screen keyboard.
See keyboard

P

page, 37
Page tab, 37
PCMCIA, 8
pen. *See* stylus
personalize, 41
personalizing EPG
 Europe, 52
 United States, 51
power adapter, 13
power button, 6, 19, 28
power off, 18
power on, 19
proxy, 25

R

RC. *See* Remote Control
recharge, 13
Remote Control, 35
 iProntoEdit, 41
 learn IR, 38
Remote Control button, 28
reset, 7, 57
RF icon, 27
RF signal, 8

Index

S

- scroll wheel, 6, 29
- set up
 - iPronto, 15
 - network, 20
- settings
 - Application Settings, 32
 - System Settings, 14, 32
- SmartSurf, 48, 58
- soft button, 38
- speaker, 6
- status display, 6, 27
- stylus, 6
- subscription, 50
- surf, 44, 59
- System Settings, 19, 32
 - About, 15
 - General, 15
 - Network, 23
 - Wireless, 21
- system sounds, 19

T

- time, 17
- time format, 16
- time out, 18, 56
 - adapter, 18
 - battery, 18
- timezone, 16
- Tools tab, 38
- touch screen, 27
- touchstrip, 30
- troubleshooting, 56

U

- universal remote control, 35
- upload, 42
- URL, 45, 46
- USB, 29

V

- View Control button, 32
- WAP, 8, 21
 - watch device selection mechanism, 49, 58
- Watch Feature, 48, 58
- Wireless Access Point, 8, 21
- Wireless LAN Adapter, 8, 59
- wireless settings, 21

Free Manuals Download Website

<http://myh66.com>

<http://usermanuals.us>

<http://www.somanuals.com>

<http://www.4manuals.cc>

<http://www.manual-lib.com>

<http://www.404manual.com>

<http://www.luxmanual.com>

<http://aubethermostatmanual.com>

Golf course search by state

<http://golfingnear.com>

Email search by domain

<http://emailbydomain.com>

Auto manuals search

<http://auto.somanuals.com>

TV manuals search

<http://tv.somanuals.com>