

# SRU4050

## Owner's Manual



## Table of Contents

Introduction .....	3
Button Functions .....	4
SAT/DVD Functions .....	6
INPUT .....	6
Shift Operation.....	7
Setup .....	8
Battery Installation .....	8
Battery Saver .....	8
Power-On default .....	8
Code Setup .....	8
Code Entry .....	9
Direct Code Entry .....	9
Code Search .....	9
Brand Search .....	10
Code Identification Feature .....	11
Sleep Timer .....	11
Programming Combo Device Codes .....	12
Controlling Combo Devices .....	12
Controlling Devices with Power On and Off ....	12
VCR/DVD/DVR Punch-Through Feature .....	13
Volume/Mute Control Feature .....	13
Setting Volume/Mute Control, Punch-Through .	14
Setting any Mode to use its own Volume/Mute	14
Clock Setup and Functions .....	15
Troubleshooting .....	16
Instrucciones en Español .....	18
Manuel d' instruction.....	34

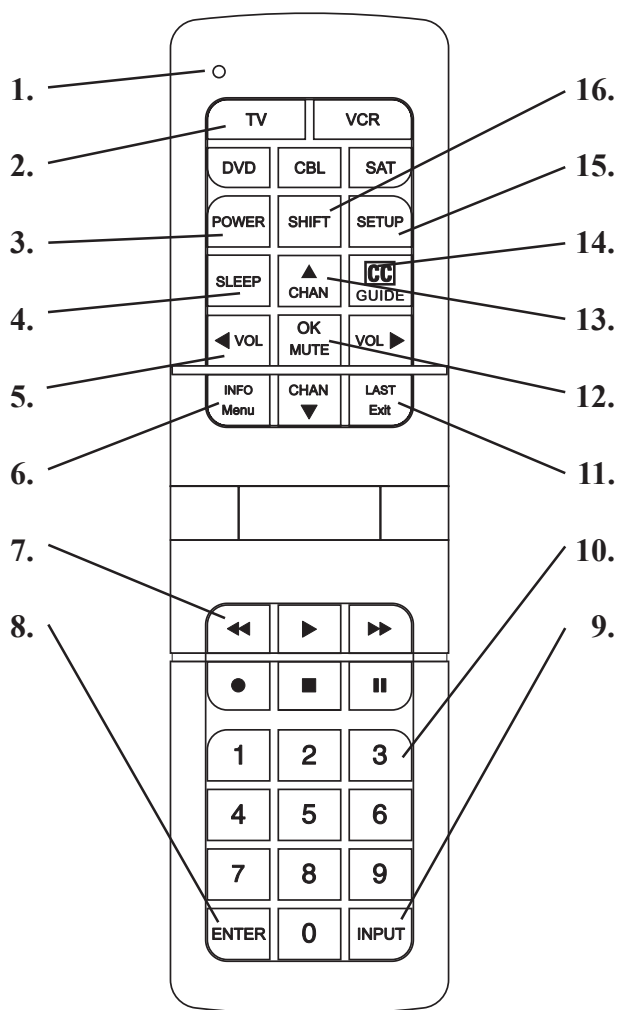
## Introduction

Congratulations on your purchase of a Philips Universal Remote Control. Philips Universal Remotes let you replace a broken or lost remote or combine more than one remote into one.

This remote control operates the common features of most but not all models and brands of IR Infrared Controlled Video Equipment. This remote may provide functions that are not available on your equipment. Some functions of your particular equipment (e.g. menu functions) may not be controlled by this remote. In such cases, use the original remote control for your equipment. Please use this manual to become familiar with your Philips Universal Remote. After you are familiar with your remote the first thing you need to do is to install batteries and setup your remote for your particular product and brand.

Thank you for buying a Philips remote and we hope it will give you many years of service.

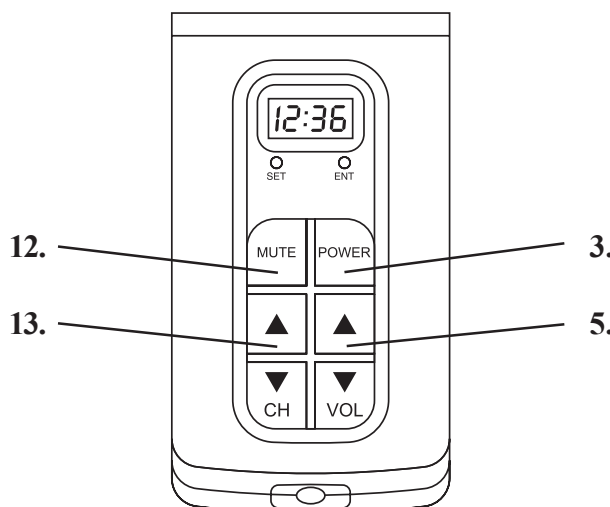
## Button Functions



Note: The **REC** button must be pressed **TWICE** to record from your VCR. For some brands of VCRs, you might need to press the **REC** button once, then press it again for three seconds.

Some buttons on the remote might have functions that are referred to by different names on the device you are controlling. E.G. **LAST** may be called **RECALL**, or **ENTER** may be called **DISPLAY**. These differences depend on the brand and model of your product. Also, this remote can only operate features that exist on your product. E.G., your product must have **LAST** ability for the **LAST** button to operate this feature.

## Button Functions, cont.



1. **Red Indicator** Lights when any button is pressed.
2. **TV, VCR, DVD, CBL, SAT** Selects product to be operated.
3. **POWER** Turns product On or Off.
4. **SLEEP** Turns off the TV after a period of 1 to 99 minutes.
5. **VOLUME UP/DOWN** Changes the volume level of the product, normally the TV.
6. **INFO** Displays/selects on-screen channel information, etc. **MENU** Access the Menu functions of the device you are controlling.
7. **RECORD, PLAY, STOP, REW, FF, PAUSE**  
VCR control buttons operate your VCR even when the remote is set to operate the TV. Also operates DVD Scan -/+.
8. **ENTER** Used after direct channel number entry to immediately change to the selected channel.
9. **INPUT** For some TVs, press repeatedly to select from available viewing sources (antenna, cable box, VCR, etc.).
10. **NUMBERS** Enter numbers for direct channel selection. Some products require Enter to be pressed after channel selection.
11. **LAST** Returns to the previously selected channel, or DVD repeat toggle. **EXIT** Used to exit menu functions.
12. **MUTE** Turns off the TV sound while the picture remains. **OK** Selects menu items for the device you are controlling.
13. **CHANNEL UP/DOWN** Changes the channels.
14. **CC (SUBTITLE)** TV Closed Caption (if your TV has this feature) or DVD Subtitle toggle. The Satellite **GUIDE** is accessed under the CC button when in **SHIFT** mode.
15. **SETUP** Used for setup.
16. **SHIFT** Press to access "shifted" functions (labeled in Green). See page 7.

## Button Functions, cont.

### SAT Functions

**CHANNEL+** and **CHANNEL-** buttons perform the “Page+” and “Page-” function for on-screen Guide Menus used by some Satellite systems.

**INFO** button brings up Satellite Display screen for current Channel and system information.

The Satellite **GUIDE** is accessed under the **CC** button when in **SHIFT** mode.

### DVD Functions

**FORWARD** and **REVERSE** buttons control the speed of Fast Forward and Reverse Playback respectively.

**CHANNEL+** and **CHANNEL-** buttons respectively locate the succeeding or preceding Chapters or Tracks on a disc.

**SUBTITLE (CC)** button turns the subtitles on or off.

**REPEAT (LAST)** button performs DVD players “A-B Repeat” (or RPT A.B) function for repeat play of current Chapter or Track.

**INFO** button brings up DVD Display or Control Menu for Chapter/Track/Title number, Time remaining/elapsed indication, system information, etc.

**PLAY** button is used to start Disc playback and for Menu selection on some DVD players.

**STOP** button stops Disc playback.

**PAUSE** button pauses Disc playback - press **PLAY** to resume.

**INPUT** button activates the DVD Player’s **SETUP** Menu.

### INPUT

When in TV mode the **INPUT** button performs the **INPUT** source switch function.

When in a mode that has been programmed for VCR the **INPUT** button performs the TV/VCR antenna switch function.

When in a mode that has been programmed for Cable the **INPUT** button performs the A.B switch function.

When in a mode that has been programmed for SAT the **INPUT** button performs the TV/SAT switch function.

When in a mode that has been programmed for DVD the **INPUT** button performs the DVD Setup function.

**OK** means same as **SELECT** - some manufacturers use **OK** label and others use **SELECT** label on their remotes.

**CC** will activate the Closed Caption feature if your device has that feature.

## Button Functions, cont.

### SHIFT Button

The **SHIFT** button is a “toggle” button. I.E. press and release it to get into shifted operation, press and release again to get back out. The Red Indicator is on when you are in “shifted” mode.

The shifted functions are those labeled in Green i.e. **MENU**, **EXIT**, **OK**, **GUIDE**, and the navigation keys. When not in Shift these buttons operate respectively as **INFO**, **LAST**, **MUTE (M)**, **CC**, **CHAPTER/CHAN UP/DOWN** and **VOLUME UP/DOWN**. The non-shifted functions are those labeled in Black or Blue.

To access the shifted “green” functions, press and release **SHIFT**. The Red Indicator will stay on while in Shift mode and blinks off briefly for any subsequent button press. Press and release desired button labeled in green for that function. To exit Shifted operation, press and release the **SHIFT** button. Note the remote will automatically time-out from Shifted mode if no button is pressed for approximately 15 seconds.

To access the following functions in SAT or DVD Modes, press **SHIFT** first.

**MENU** button brings up the Menu screen - use with the **UP**, **DOWN**, **LEFT** and **RIGHT** navigation buttons.

**OK** button is used for on-screen Menu selection.

**EXIT** button is used to Exit or Clear on-screen Menu displays.

Example:

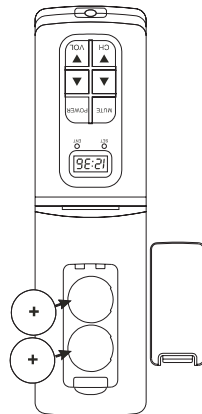
To access Menu and use the navigation functions.

1. Press and release **SHIFT** (red indicator turns on).
2. Press and release the **MENU (INFO)** button.
3. Press and release the **UP**, **DOWN**, **LEFT** and **RIGHT** buttons as desired.
4. Press and release the **EXIT (LAST)** button to clear the on-screen Menu display.
5. Press and release **SHIFT** for normal remote operation (red indicator turns off).

## Setup

### Battery Installation

1. On the back of the remote, push down on the tab and lift the cover off.
2. Insert 2 CR2032 lithium batteries (+ facing up).
3. Press the battery cover back into place.



Note: you will lose any programmed codes after changing the batteries. The remote defaults to the factory setting and you will need to reprogram the remote.

### Battery Saver

Your remote automatically turns off if the buttons are depressed more than 30 seconds. This will save your batteries should your remote get stuck in a place where the buttons remain depressed (e.g., between the sofa cushions).

### Power-On Default

The remote powers on in TV mode.

### Code Setup

The **SETUP** button is used to setup the remote. You can either setup the remote using the code for your brand of product, from the code tables (on separate sheet), or you can search through the library of codes until you find a code that works for your product.

Please refer to “Programming with Code Search” on page 9 for more information on using the code search feature to learn how to search through the library of codes for your products.

NOTE: You can store any kind of code under any mode (except TV). I.E. you can store a VCR code under the **CBL** button, or a DVD code under the **VCR** button, etc. However, you can only store TV codes under the **TV** button.

## Direct Code Entry

1. Press and hold the **SETUP** button until the red indicator stays on, then release the **SETUP** button.
2. Press and release the desired mode button (**TV**, **VCR**, etc.). The red indicator blinks, then stays lit.
3. Enter the 4 digit code from the code tables (on separate sheet). Note: after a valid code entry, the red indicator turns off. For an invalid code, the red indicator flashes.
4. With your device on, press **CHANNEL UP**. If the device responds, no further programming is required. Note: If some buttons do not operate your equipment, try one of the other codes for your brand.

Write your codes down here for easy reference later.

Type	Type stored	Code
TV	TV	
VCR		
DVD		
Cable		
SAT		

## Code Search

If your product does not respond after you have tried all the codes for your brand, or if your brand is not listed, try searching for your code by following these steps.

1. Manually turn on the device (**TV**, **VCR**, etc.) to be controlled.
  2. Press and hold the **SETUP** button until the red indicator stays on, then release the **SETUP** button.
  3. Press and quickly release the desired mode button (**TV**, **VCR**, etc.). The red indicator blinks off once.
  4. Press the **CHANNEL UP** button repeatedly (up to 300 times) until the device to be controlled changes channel. The red indicator blinks off with each button press. If you accidentally overshoot the code required, press the **CHANNEL DOWN** button to backtrack through the library until the device changes channel. Pressing **CHANNEL UP** changes direction to forward again.
  5. Press and release **MUTE** to install the code.
- Most users will store VCR codes under the **VCR** button,

## Code Search, cont.

Cable codes under **CABLE**, etc. If (for example) you want to store a VCR code under **CABLE**, first follow the procedure for Direct Code Entry (previous page) and press **CABLE** in step 2 of Direct Code Entry, then enter ANY VCR code in step 3 of Direct Code Entry. Then follow the steps above for Code Search (or Brand Search, below). **Note:** If the device does not have a **CHANNEL UP** button, use **PLAY** (VCR only) or **POWER** instead. Code Search starts from the currently stored 4 digit number under that mode.

## Code Search by Brand

Lets you search for a code for a specific Brand within the Code Library for a particular manufacturer.

1. Turn on the device (TV, VCR, etc.) to be controlled.
2. Press and hold the **SETUP** button until the red indicator remains on, then release **SETUP** button.
3. Press and quickly release the desired mode button (**TV**, **VCR**, etc.). The red indicator blinks off once.
4. Press and release the numeric button (**0-9**) corresponding to desired Manufacturer (see table on code list sheet). The red indicator blinks off once. Note, pressing "0" performs a full library search same as normal Code Search Method on previous page.
5. Press the **CHANNEL UP** button ((or **POWER** or **PLAY** (VCR only))) repeatedly until the device to be controlled changes channel. The red indicator blinks off with each button press. If you accidentally overshoot the code required, press the **CHANNEL DOWN** button to backtrack through the library until the device changes channel. Pressing **CHANNEL UP** changes direction to forward again.
6. Press and release **MUTE** to install the code.

Brand Search Method entry is now complete.

**Note:** When all codes under a Brand have been searched the red indicator flashes rapidly for 3 seconds.

## Code Identification Feature

The Code Identification Feature allows you to identify the 4 digit library code stored under your device key. For example, if you want to find out what 4 digit code is stored under your TV device key, follow the six steps below:

1. Press and hold the **SETUP** button until the red indicator stays on. Release the **SETUP** button.
2. Press and release the desired mode button (**TV**, **VCR**, etc.). The red indicator blinks, then stays lit.
3. Press and release the **SETUP** button. The red indicator blinks off.
4. To find the first digit for the code stored under the mode key pressed in step 2, press each numeric key from **0-9** in turn. When the red indicator blinks off the number you pressed is the first digit for the code you are searching for.
5. To find the second digit, repeat step 4, this time when the red indicator blinks off this is the second digit.
6. Repeat step 4 to find the third and fourth digits.

## Sleep Timer

The **SLEEP** button operates the Sleep function of your device providing it supports the Sleep function. Alternatively, you can enable the remote to turn off your TV after a period of 1 to 99 minutes as shown below. This feature is only available for the TV Mode and the remote must be in TV Mode to set a Sleep Timer. This feature works even if your TV does not have its own Sleep function.

1. Press and release the TV Mode button.
2. Press and hold the **SETUP** button until the red indicator stays on. Release the **SETUP** button.
3. Press and release the **SLEEP** button (Note any previously set Sleep timer is cancelled at this point and the remote returns to normal operation).
4. Press and release the numeric buttons (**01-99**) for the time required. The red indicator blinks off to indicate button press acceptance and remains off after the second button press.
5. TV Sleep Timer now set.
6. **Leave the Remote pointing towards the TV with an unobstructed path.**

To cancel the Sleep Timer, press and release the **POWER** button in TV Mode or repeat Steps 1, 2 and 3 above.

## Setup, cont.

### Programming Combo Device Codes

Some Combo devices (e.g. TV/VCR, TV/DVD, DVD/VCR, etc.) will require you to set up two different Mode buttons to control both parts of the Combo device. For example, if you have a TV/DVD Combo, you might need to set up one code under the **TV** button to control the TV part AND a separate code (under any other Mode button) to control the DVD part.

### Controlling Combo Devices

Some Combo devices (e.g. TV/VCR, TV/DVD, DVD/VCR, etc.) have separate buttons on the original remote to select the part of the Combo device to be controlled. For example, if your Combo device is a DVD/VCR then its original remote might have separate DVD and VCR buttons for selection of the Combo part you would control. The equivalent button functions can be found on your Philips remote by using the device Mode and **SETUP** buttons.

Referring to “Programming with Code Search” on page 9, setup a device Mode (e.g. **DVD**) with the correct code for your Combo device. Assuming the DVD/VCR Combo device is the example and its code is programmed under **DVD** Mode, press and hold the **DVD** Mode button for more than one second to send the DVD button command. To send the VCR button command, quickly press and release the **SETUP** button followed by pressing and releasing the **DVD** Mode button. This method can be applied similarly to all Combo devices (e.g. TV/VCR, TV/DVD, DVD/VCR, etc.) and is available for all Modes. Note this feature is not supported by all codes.

### Controlling Devices Requiring Separate Power On and Off Buttons

Some devices (e.g. certain RCA TVs) require separate Power On and Power Off buttons to turn the device on and off. The equivalent button functions can be found on your Philips remote by using the device Mode and **POWER** buttons. Referring to “Programming with Code Search” on page 9, setup a device Mode (e.g. **TV**) with the correct code for your device.

Assuming a TV device is the example and its code is programmed under **TV** Mode, to turn your TV on, press and hold the **TV** Mode button for more than one second to transmit the Power On button command.

## Setup, cont.

### Controlling Devices Requiring Separate Power On and Off Buttons, cont.

To turn the TV off, press and release the **POWER** button to transmit the Power Off button command. This method can be applied similarly to any device and is available for all Modes. Note this feature is not supported by all codes.

### VCR/DVD/DVR Punch-Through Feature

This remote allows the 6 VCR transport buttons (i.e. **PLAY**, **PAUSE**, **STOP**, **FF**, **REWIND**, and **REC**) to Punch-Through control from any Mode programmed with TV, SAT or Cable codes to the last **VCR**, **DVD** or **DVR** programmed Mode you used. Normally other types of remotes only punch-through (from another Mode) on the 6 VCR buttons to the device programmed under the **VCR** Mode button. This is not much use if you are using a DVD programmed under a Mode other than VCR. For example, if you have 3 DVD, VCR or DVR devices programmed into this remote, the last one you accessed on the remote will be the one that has control of the 6 VCR transport buttons when in any other Mode. This feature will not operate if the programmed TV, SAT or Cable code has its own VCR transport button control e.g. a TV Combo, SAT/PVR, etc.

### Volume/Mute Control and Punch-Through Feature

This remote lets you select which device Mode controls your Volume/Mute buttons. The remote is initially set (factory default) for all device Modes programmed with “**Visual**” codes (e.g. TV, VCR, DVD, DVR, SAT & CABLE) and “**Audio**” codes (e.g. CD & AUDIO) to use their own Volume/Mute control if present. If the programmed “**Visual**” code has no Volume/Mute operation of its own then those buttons will punch-through control to the **TV** Mode device without needing to change to **TV** Mode. Please refer to the next page for more information.

## Setup, cont.

Any Mode chosen for Volume/Mute control **MUST** have its own Volume/Mute function or the Volume/Mute buttons will do nothing.

### Setting ALL Volume/Mute Control to any one Mode

This routine can set all Modes to “punch-through” to any one chosen Mode for Volume/Mute button control without the needing to change to that Mode.

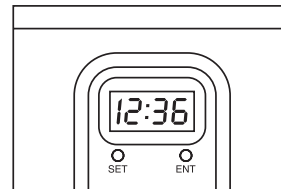
1. Press and hold the **SETUP** button until the red indicator turns on, then release the button.
2. Press and hold the **MUTE** button until the red indicator blinks off, then release the button.
3. Press and release the desired Mode button (**TV**, **VCR**, etc.) for Volume/Mute control, the red indicator blinks then stays on.
4. Press and release the **MUTE** button and the red indicator turns off. The red indicator will blink rapidly for three seconds if the Mode you have selected has no Volume/Mute control.
5. All other Modes will now punch-through to your chosen Mode for Volume/Mute control.
6. All “Visual” and “Audio” programmed Modes will now punch-through to the respective Modes you have chosen for Volume/Mute control.

### Setting any Mode to use its own Volume/Mute Control

This routine can set any Mode to use only its own Volume/Mute control. Note - If your chosen Mode has no Volume/Mute functions of its own then the Volume/Mute buttons will do nothing.

1. Press and hold the **SETUP** button until the red indicator turns on, then release the button.
2. Press and hold the **MUTE** button until the red indicator blinks off, then release the button.
3. Press and release the desired Mode button (**TV**, **VCR**, etc.), the red indicator blinks then stays on.
4. Press and release the **VOLUME-** (Down) button, the red indicator blinks then stays on.
5. Press and release the **MUTE** button and the red indicator turns off.
6. All “Visual” and “Audio” programmed Modes will now punch-through to the respective Modes you have chosen for Volume/Mute control.

## Clock Setup and Functions



### Setting the date and time

Set date and time using a pencil or paper clip to press the SET and ENT buttons below the clock display.

1. Press **SET** twice. A number between 1 to 12 for the month appears in the left of the display, press and hold **ENT** until the current month is displayed, then release the **ENT** button.
2. Press **SET** once to save the month and call up the settings for the date.
3. Press and hold **ENT** until the current date is displayed, then release the **ENT** button.
4. Press **SET** once to save the date and call up the settings for the hour.
5. Press and hold **ENT** until the current hour is displayed, then release the **ENT** button.
6. Press **SET** once to save the hour and call up the settings for the minute.
7. Press and hold **ENT** until the current minute is displayed, then release the **ENT** button.
8. Press **SET** once and the set time is displayed.
9. Press **ENT** once to start the clock (the colon flashes in intervals of 1 second).

### To display date and time

After completing the settings, the time is displayed. Press **ENT** once to display the date. If you want to have alternating time and date displayed, press and release **ENT** and then **SET**. To switch off this function, press and hold **ENT** until the time is displayed.

### To display the seconds

When the time is displayed, press **ENT** twice to display the seconds.

When the date is displayed, press **ENT** once to display the seconds.

When seconds is displayed, press and release **SET** to set the seconds display to “00.”

When seconds is displayed, press and release **ENT** to switch back to time display.



## Troubleshooting

### **Remote does not operate your product.**

- Press the mode button of the product you want to control.
- Program the remote with a new code.
- Install new batteries. (You might have to reprogram your remote after installing new batteries.)
- Remote may not be compatible with your product.

### **Remote does not operate some features of your product.**

- Program remote with a new code.
- Remote may not be able to operate all features of your product or button names might be different than your product.

### **Red Indicator blinks after you program a product code.**

- Remote did not accept the code.
- Try to program the code again or try a different code.

For help with setup, please call: 919-573-7854.

## Limited Lifetime Warranty

The manufacturer warrants that this product shall be free from defects in material, workmanship and assembly, under normal use, in accordance with the specifications and warnings, for as long as you own this product. This warranty extends only to the original purchaser of the product, and is nontransferable. Defective products, together with the dated proof of purchase, must be returned to the place of purchase for repair or replacement. **THERE ARE NO OTHER EXPRESS WARRANTIES.** Incidental and consequential damages are disclaimed where permitted by law. This warranty gives you specific legal rights, and you may also have other rights which vary from state to state.

Made in China. Quality Assured in USA.  
Ledgewood, NJ 07852

## Índice

Introducción .....	19
Funciones de botones .....	20
Funciones de DVD y Satélite .....	22
Entrada .....	22
Selección SHIFT .....	23
Preparación .....	24
Instalación de baterías .....	24
Ahorrador de baterías .....	24
Encendido por omisión .....	24
Fijación de códigos .....	24
Ingreso de códigos .....	25
Ingreso directo de códigos .....	25
Búsqueda de códigos .....	25
Búsqueda de códigos por marca .....	26
Identificación de códigos .....	27
Cronometro de apagado automático .....	27
Códigos de programación de equipos combinados .....	28
Control de equipos combinados .....	28
Control de equipos con Encendido y Apagado ...	28
Control de VCR/DVD/DVR .....	29
Control de volumen/silencio .....	29
Ajuste de control volumen/silencio .....	30
Ajuste de cualquier modo para utilizar su propio control de volumen/silencio .....	30
Configuración y funciones del reloj .....	31
Localización y reparación de averías .....	32

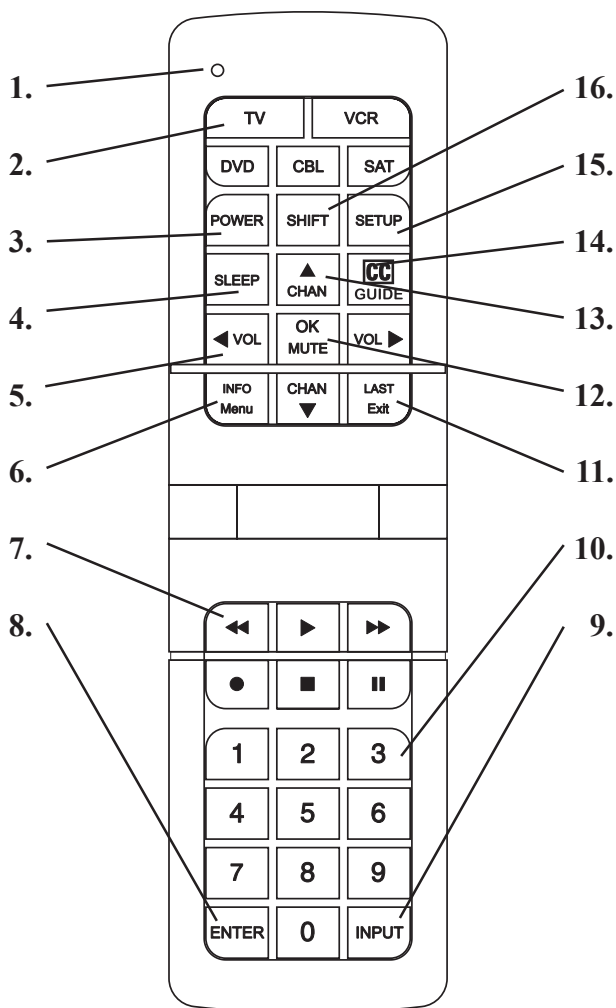
## Introducción

Felicitaciones por su compra del Control remoto universal Philips. Los controles Philips le permiten sustituir un control remoto descompuesto o perdido, o combinar más de un control remoto en una sola unidad.

Este control remoto opera las funciones comunes de la mayoría de los modelos y marcas de equipo de video de control por rayos infrarrojos (pero no de todos). Este control remoto puede ofrecer funciones que no estén disponibles en su equipo. Es posible que algunas funciones de su equipo en particular (por ej., menú de funciones) no se puedan controlar con este control remoto. En tal caso, utilice el control remoto original de su equipo. Por favor, use este manual para familiarizarse con su control remoto universal Philips. Después de familiarizarse con él, la primera cosa que tiene que hacer es colocar las baterías y preparar su control remoto para su aparato y marca en particular.

Gracias por comprar un control remoto Philips y esperamos que le brinde muchos años de servicio.

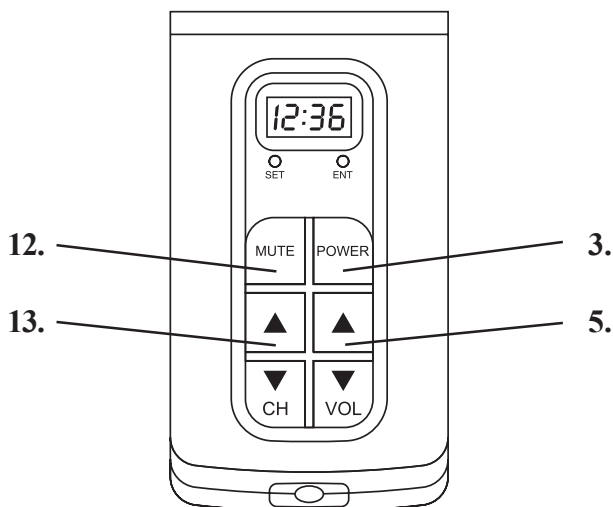
## Funciones de botones



Nota: el botón **REC** debe oprimirse DOS VECES para grabar en su videocasetera. Para algunas marcas de videocaseteras será necesario que oprima el botón **REC** una sola vez y enseguida oprimirlo nuevamente durante tres segundos.

Algunos botones del control remoto pueden tener funciones con diferentes nombres en el aparato que está controlando. Por ej, el canal anterior (**LAST**) puede llamarse RECALL, o **ENTER** puede llamarse DISPLAY. Estas diferencias dependen de la marca y del modelo de su aparato. Además, este control remoto puede operar únicamente las funciones que existen en su producto. Por ejemplo, su producto debe estar equipado con canal anterior (**LAST**) para que el botón de **LAST** funcione.

## Funciones de botones



1. **Indicador luminoso** rojo se enciende cuando se presiona cualquier botón.
2. **TV, VCR, DVD, CBL, SAT** Selecciona el equipo que se va a usar.
3. **POWER** (Encendido) Enciende o apaga el equipo.
4. **SLEEP** (Apagado automático) Apaga el televisor después de un período de 1 a 99 minutos.
5. **VOLUME UP/DOWN** (Subir/bajar volumen) Cambia el nivel de volumen del equipo, normalmente el del televisor.
6. **INFO** Trae la pantalla o el Menú de control del TV, DVD o Satélite para indicar el numero de Capitulo/Pista/Título, el tiempo restante/transcurrido, información del sistema, etc. **MENU** Trae la pantalla del Menú de discos del DVD: Úselo con los botones de navegación hacia arriba, abajo, izquierda y derecha.
7. **RECORD, PLAY, STOP, REW, FF, PAUSE**  
(Grabar, reproducir, parar, devolver, adelantar, pausa) los botones de control de la video casetera hacen funcionar este aparato incluso cuando el control remoto esta en la modalidad de TV. También ejecuta la función DVD Scan +/- (exploración +/- de DVD).
8. **ENTER** (Ingresar) Se utiliza después del acceso directo de canales para cambiar inmediatamente al canal seleccionado.
9. Botón de **INPUT** (entrada) Para algunos televisores, oprima este botón repetidamente para seleccionar una de las fuentes disponibles para recibir la imagen (antena, videocasetera, etc.).
10. **NUMEROS** oprima los números para la selección directa de canales. Algunos aparatos requieren que se oprima Enter después de la selección del canal.
11. **LAST** (Canal anterior) Regresa al canal seleccionado previamente, o botón para repetir el DVD. **REPEAT A-B** (Repetir) Ejecuta la función "Repetir A-B" (o RPT A.B) de los reproductores de DVD para reproducir repetidamente el capítulo o pista actual. **EXIT** (Salir) Se utiliza para salir de las funciones del menú.
12. **MUTE** (Silencio) apaga el sonido de la TV mientras que permanece la imagen. **OK** (Aceptar) Se utiliza para la selección del Menú en pantalla.
13. **CHANNEL UP/DOWN** (Canal siguiente / anterior) Cambia de canal. **CHAPTER +/-** (Capítulo +/-) Controla la selección de pistas de DVD/CD, es decir, la pista de DVD/CD para subir/bajar (en modalidades de DVD y SAT). Observe que los botones de movimiento de la videocasetera también controlan el DVD cuando está en la modalidad de DVD.
14. **CC** (SUBTITLE) [Transcripción del audio en pantalla (subtítulos)] Activa y desactiva la función de transcripción del audio en pantalla del televisor (si el televisor tiene esta característica) o los subtítulos de DVD. La **GUÍA** de satélite es accesible presionando el botón CC cuando el control se encuentra en el modo **SHIFT** (cambio).
15. **SETUP** (configurar) Función empleada para la configuración del control remoto.
16. **SHIFT** Para acceder a las funciones de selección verdes, presione y libere el botón **SHIFT**. See page 23.

## Funciones de botones

### Satélite

Los botones “**Channel+**” y “**Channel-**” realizan la función de “**Page+**” y “**Page-**” para los menús de guía en pantalla utilizados en algunos sistemas de satélite.

El botón “**Info**” trae la pantalla vía satélite que indica la información actual del canal y del sistema.

La **GUÍA** de satélite es accesible presionando el botón **CC** cuando el control se encuentra en el modo **SHIFT** (cambio).

### Funciones de DVD (con leyendas en azul)

Los botones **FORWARD** y **REVERSE** controlan la velocidad para adelantar o retroceder la reproducción respectivamente.

Los botones **CHANNEL+** y **CHANNEL-** localizan respectivamente los capítulos o pistas siguientes o precedentes de un disco.

**SUBTITLE (CC)** [Transcripción en pantalla, subtítulos] Activa y desactiva la función de transcripción del audio en pantalla o los subtítulos de DVD.

El botón **REPEAT (LAST)** hace las funciones “**A-B REPEAT**” (o **RPT A.B**) de los reproductores de DVD para repetir la reproducción del capítulo o pista actual.

El botón **INFO** trae la pantalla o el Menú de control del DVD para indicar el número de Capítulo/Pista/Título, el tiempo restante/transcurrido, información del sistema, etc.

El botón “**PLAY**” se utiliza para iniciar la reproducción del disco y para la selección del Menú en algunas reproductoras de DVD.

El botón “**STOP**” detiene la reproducción del DVD.

El botón “**PAUSE**” hace una pausa en la reproducción del disco. Oprima **PLAY** para continuar.

**INPUT** [Configuración (Entrada)] trae el menú de configuración de reproductores de DVD.

### Entrada

Cuando está en la modalidad de TV, el botón **INPUT** realiza la función de cambio de fuente de ENTRADA.

Cuando está en una modalidad que se ha programado para la videocasetera (VCR), el botón **INPUT** realiza la función de cambio de antena de TV/VCR.

Cuando está en una modalidad que se ha programado para Cable, el botón **INPUT** realiza la función de cambio A.B.

Cuando está en una modalidad que se ha programado para SAT, el botón **INPUT** realiza la función de cambio de TV / SAT.

Cuando está en una modalidad que se ha programado para DVD, el botón **INPUT** realiza la función de ajuste inicial de DVD.

**SELECT** significa lo mismo que **OK**: algunos fabricantes usan **OK** y otros **SELECT** en sus controles remoto.

**CC** activa la función de subtítulos si su aparato cuenta con esta función.

## Configuración y funciones del reloj

### Botón SHIFT

El botón **SHIFT** es un botón de “selección”. Presione y libere este botón para acceder a las funciones de selección, presione y libere nuevamente para salir de esta opción. El indicador rojo permanece encendido cuando está en modo de “selección”.

Las funciones de selección son aquellas rotuladas en verde, es decir **MENU**, **EXIT**, **OK**, **GUIDE**, y las teclas de navegación. Cuando no están en el modo de selección, estos botones operan respectivamente como **INFO**, **LAST**, **MUTE (M)**, **CC**, **CHAPTER/CHAN UP/DOWN** (capítulo/canal arriba/abajo) y **VOLUME UP/DOWN** (volumen arriba/abajo). Las funciones no conmutables son aquellas rotuladas en negro o azul.

Para acceder a las funciones de selección verdes, presione y libere el botón **SHIFT**. El indicador rojo permanecerá encendido mientras opera en el modo “Shift” y destella brevemente para cada botón siguiente que se presione. Presione y libere el botón deseado rotulado en verde para esa función. Para abandonar la operación de “selección”, presione y libere el botón **SHIFT**. Nota: Si durante aproximadamente 15 segundos no se presiona ningún botón, el control remoto automáticamente saldrá del modo de “selección”.

Para acceder a las siguientes funciones en los modos SAT o DVD, primero presione **SHIFT**. El botón **MENU** pone el menú en pantalla; utilice con los botones de navegación **UP** (arriba), **DOWN** (abajo) **LEFT** (izquierda) y **RIGHT** (derecha). El botón **OK** se utiliza para la selección de Menú en pantalla. El botón **EXIT** se utiliza para salir o despejar la visualización de Menú.

### Ejemplo

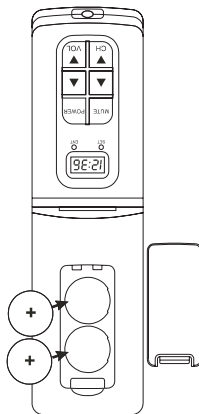
Para acceder al Menú y utilizar las funciones de navegación.

1. Presione y libere el botón **SHIFT** (el indicador rojo se enciende).
2. Presione y libere el botón **MENU (INFO)**.
3. Presione y libere los botones **UP**, **DOWN**, **LEFT** y **RIGHT** de acuerdo a lo que desee.
4. Presione y libere el botón **EXIT (LAST)** para despejar la visualización del Menú en pantalla.
5. Presione y libere el botón **SHIFT** para la operación normal del control remoto (el indicador rojo se apaga).

## Preparación

### Instalación de baterías

1. En la parte posterior de su control remoto empuje hacia abajo la lengüeta y levante la tapa.
2. Acomode dos baterías de litio CR2032 (con el signo de + hacia arriba) dentro del compartimiento de las baterías.
3. Acomode la tapa de las baterías en su lugar.



Nota: usted perderá cualquier código programado después de cambiar las baterías. El control remoto vuelve al ajuste de fábrica y es necesario reprogramar el telecontrol.

### Ahorrador de baterías

Su control remoto se desactiva automáticamente si los botones se oprimen más de 30 segundos continuos. Esto permite que las baterías conserven su carga en caso de que el control remoto se atore en un lugar donde los botones se puedan oprimir solos (por ejemplo, entre los cojines del sofá).

### Encendido por omisión

El control remoto se enciende en la modalidad de TV

### Fijación de códigos

El botón **SETUP** (configurar) se utiliza para fijar el control remoto. Puede fijar el control utilizando el código de su marca de aparato, de las tablas de códigos, o puede buscar en la biblioteca de códigos hasta que encuentre un código que funcione para su aparato. Por favor consulte la sección de "Programación con búsqueda de códigos" en la página 25 para obtener más información sobre el uso de la función de búsqueda de códigos y aprender a hacer una búsqueda en la biblioteca de códigos para sus productos.

NOTA: También puede almacenar cualquier tipo de código bajo cualquier modalidad (salvo TV). Es decir, puede almacenar un código de videocasetera en el botón **CBL**, o un código de cable en el botón de **VCR**, etc. Sin embargo, únicamente puede almacenar códigos de TV en el botón de **TV**.

## Preparación, cont.

### Ingreso Directo de Códigos

1. Oprima, sin soltar, el botón **SETUP** hasta que el indicador rojo permanezca encendido. Suelte el botón **SETUP**.
2. Oprima y suelte el botón de la modalidad deseada (**TV**, **VCR**, etc.). El indicador rojo parpadea y enseguida se queda encendido.
3. Ingrese el código de 4 cifras de las tablas de códigos (en la hoja separada). Nota: después de ingresar un código válido, el indicador rojo se apaga. Cuando se ingresa un código inválido, el indicador rojo parpadea.
4. Con su aparato encendido, oprima **CHANNEL UP**. Si el aparato responde, ya no se requiere ninguna programación adicional. Nota: si algunos botones no hacen funcionar su equipo, trate uno de los demás códigos para su marca.

Escriba aquí los códigos para futura referencia.

Tipo	Tipo Almacenado	Código
TV	TV	
VCR		
DVD		
Cable		
SAT		

### Programación con Búsqueda de códigos

Si su aparato no responde después de haber intentado todos los códigos de la marca de su aparato, o si la marca no aparece en la lista, trate de buscar su código siguiendo los pasos a continuación.

1. Encienda manualmente el aparato (**TV**, **VCR**, etc.) que se habrá de controlar.
2. Oprima, sin soltar, el botón **SETUP** hasta que el indicador rojo permanezca encendido. Suelte el botón **SETUP**.
3. Oprima y suelte el botón de la modalidad deseada (**TV**, **VCR**, etc.). El indicador rojo parpadea y enseguida permanece encendido.
4. Oprima el botón **CHANNEL UP** (hacia arriba) repetidamente (hasta 300 veces) hasta que el aparato que se ha de controlar cambie de canal. El indicador rojo parpadea y enseguida se queda encendido. Si accidentalmente se pasa del código deseado, oprima el botón **CHANNEL DOWN** (hacia abajo) para retroceder hacia la biblioteca hasta que el aparato cambie de canal. Oprimir el botón **CHANNEL UP** cambia la dirección hacia adelante nuevamente.
5. Oprima y suelte el botón **MUTE** para fijar el código.

## Preparación, cont.

### Programación con Búsqueda de códigos, cont.

La mayoría de los usuarios almacenan los códigos de videocasetera en el botón de **VCR**, los códigos del Cable en el botón de **CABLE**, etc. Por ejemplo, si desea almacenar un código de videocasetera en cable, siga primero el procedimiento para la Entrada directa de códigos (página previa) y oprima **CBL** en el paso 2 de la Entrada directa de códigos. A continuación ingrese CUALQUIER código de VCR en el paso 3 de la Entrada directa de códigos. Luego siga los pasos anteriores para la Búsqueda de códigos (o Búsqueda de códigos por marca, vea abajo). **Nota:** Si el aparato no tiene un botón de **CHANNEL UP** (subir de canal), utilice **PLAY** (en VCR solamente) o **POWER**. La búsqueda de códigos inicia a partir del número de 4 cifras almacenado actualmente bajo esa modalidad.

### Búsqueda de Códigos por Marcas

Le permite buscar un código de una marca específica en la biblioteca de códigos para un fabricante en particular.

1. Encienda el aparato (TV, VCR, etc.) que se ha de controlar.
2. Oprima sin soltar el botón **SETUP** (configurar) hasta que el indicador rojo permanezca encendido, y enseguida suelte el botón.
3. Oprima y suelte rápidamente el botón de la modalidad deseada (**TV**, **VCR**, etc.). El indicador rojo parpadea una vez.
4. Oprima y suelte el botón numérico (**0-9**) correspondiente al Fabricante deseado (vea la tabla en la hoja de la lista de códigos). El indicador rojo parpadea una vez y se apaga. Observe que al oprimir el "0" se efectúa una búsqueda completa de la biblioteca igual al Método de búsqueda de códigos de la página anterior.
5. Oprima el botón **CHANNEL UP** (subir de canal) ((o **POWER** o **PLAY** (en la videocasetera solamente)) repetidamente hasta que el aparato que se ha de controlar cambie de canal. El indicador rojo parpadea y se apaga con cada opresión de botón. Si accidentalmente se pasa del código requerido, oprima el botón **CHANNEL DOWN** (bajar de canal) para retroceder en la biblioteca hasta que el aparato cambie de canal. Al oprimir el botón **CHANNEL UP** se cambia la dirección para seguir hacia adelante nuevamente.
6. Oprima y suelte **MUTE** para instalar el código.

La entrada del Método de búsqueda de marca está completo.

Nota: Cuando se han buscado todos los códigos bajo una Marca, el indicador rojo parpadea rápidamente durante 3 segundos.

## Preparación, cont.

### Función de Identificación de Códigos

La función de identificación de código permite identificar el código de librería de 4 dígitos almacenado en la tecla del dispositivo. Por ejemplo, si desea descubrir qué código de 4 dígitos está almacenado en su tecla de TV, siga los seis pasos siguientes:

1. Oprima, sin soltar, el botón **SETUP** hasta que el indicador rojo permanezca encendido. Suelte el botón **SETUP**.
2. Oprima y suelte el botón de la modalidad deseada (**TV**, **VCR**, etc.). El indicador rojo parpadea y luego permanece encendido.
3. Oprima y suelte el botón **SETUP**. La luz indicadora parpadea y se apaga.
4. Para encontrar la primera cifra para el código almacenado bajo el botón de modalidad oprimido en el paso 2, oprima cada botón numérico del **0 al 9**. Cuando la luz indicadora parpadea y se apaga, el número que oprimió es la primera cifra para el código que está buscando.
5. Para encontrar la segunda cifra, repita el paso 4, esta vez cuando la luz indicadora parpadee y se apague, esta es la segunda cifra.
6. Repita el paso 4 para encontrar los terceros y cuartos dígitos.

### Cronometro de apagado automático

El botón **SLEEP** (apagado automático) habilita la función de apagado automático de su dispositivo, proporcionado que su aparato tenga esta función. Alternativamente, usted puede programar el control remoto para apagar su TV después de un periodo de 1 a 99 minutos. Esta característica está solamente disponible en el modo TV y el control remoto debe estar en el modo de TV para fijar el cronometro de apagado automático. Esta función puede ejecutarse aun si su televisor no tiene esta característica.

1. Presione y suelte la tecla de modo **TV**.
2. Presione y mantenga presionado el botón **SETUP** (configurar) hasta que el indicador rojo permanezca encendido. Suelte el botón **SETUP**.
3. Oprima y suelte el botón **SLEEP** (observe, el apagado automático previamente fijado es cancelado a este punto y el control remoto vuelve a la operación normal).
4. Oprima y suelte los botones numéricos (**01-99**) para seleccionar el tiempo que desee que transcurra. El indicador rojo se apagará brevemente para indicar la aceptación de la presión del botón y quedará apagado después de la segunda presión de botón.
5. El cronometro de apagado automático del televisor quedará configurado.
6. **Deje el control remoto apuntando hacia el televisor sin que haya obstrucción alguna entre ambos**

Para cancelar le Cronometro de apagado automático, oprima y suelte el botón **POWER** (encendido) en el modo TV, o repita los pasos 1, 2 y 3 mencionados arriba.

## Preparación, cont.

### Códigos de programación de equipos combinados

Algunos equipos combinados (combos) (por Ej. TV/VCR, TV/DVD, DVD/VCR, etc.) requerirán que ajuste dos tipos diferentes de botones de Modo para controlar ambas partes del equipo combinado. Por ejemplo, si cuenta con un Combo TV/DVD, es posible que deba ajustar un código en el botón **TV** para controlar la parte de la television y otro código adicional (en cualquier otro botón de Modo) para controlar la parte de DVD.

### Control de equipos combinados

Algunos equipos combinados (por Ej. TV/VCR, TV/DVD, DVD/VCR, etc.) tienen botones diferentes en el control remoto original para seleccionar la parte del equipo combinado a ser controlado. Por ejemplo, si su equipo combinado es un DVD/VCR entonces es posible que su control remoto original tenga botones diferentes para DVD y VCR para seleccionar la parte del combo que quiera controlar. Puede encontrar las funciones equivalentes a los botones en su control remoto Philips, utilizando los botones de Modo y **SETUP** del mismo.

Vea "Programación con búsqueda de código" en la Pág. 25 para ajustar un Modo de equipo (por Ej. **DVD**) con el código correcto para su equipo combinado. Tomando como ejemplo el equipo combinado DVD/VCR y asumiendo que su código está programado bajo el Modo **DVD**, presione y mantenga presionado el botón de Modo **DVD** durante más de un segundo para enviar el comando del botón DVD. Para enviar el comando del botón VCR, presione y suelte rápidamente el botón **SETUP** (configurar) y a continuación presione y suelte el botón de Modo **DVD**. Este método puede ser aplicado en forma similar para todos los equipos combinados (por Ej. TV/VCR, TV/DVD, DVD/VCR, etc.) y está disponible para todos los Modos. Nota: Tenga en cuenta que esta característica no acepta todos los códigos.

### Control de equipos que requieren botones de encendido y apagado diferentes

Algunos equipos (por ej. algunos televisores RCA) requieren botones diferentes para encender y para apagar el equipo. Puede encontrar las funciones equivalentes a los botones en su control remoto Philips, utilizando los botones de Modo y **POWER** del mismo. Vea "Programación con búsqueda de código" en la Pág. 25 para ajustar un Modo de equipo (por ej. **TV**) con el código correcto para su equipo. Asumiendo que el televisor es el ejemplo y que el código a ser programado es el Modo TV, para encender su TV presione y sostenga el botón de Modo TV durante más de un segundo para transmitir el comando del botón de encendido. Para apagar el televisor, presione y suelte el botón **POWER** para transmitir el comando del botón de apagado.

## Preparación, cont.

Este método puede ser aplicado en forma similar para cualquier equipo y está disponible para todos los Modos. Nota: Tenga en cuenta que esta característica no admite todos los códigos.

### Función de traspaso de VCR/DVD/DVR

Este control remoto permite la traslación de los 6 botones de transporte de cinta VCR (**PLAY** (reproducción), **PAUSE** (pausa), **STOP** (detener), **FF** (avance), **REWIND** (rebobinar), y **REC** (grabar) desde cualquier Modo programado con códigos de TV, SAT o CABLE al último Modo de **VCR, DVD** o **DVR** utilizado. Normalmente otros tipos de controles remotos únicamente permiten traspasar (desde otro Modo) los 6 botones de VCR al equipo programado en el botón de Modo **VCR**. Esto no es de mucha utilidad si está utilizando un DVD programado en un Modo que no sea VCR. Por ejemplo, si tiene tres equipos DVD, VCR o DVR programados en este control remoto, el último que utilizó en el control remoto será el que tenga el control de los 6 botones de VCR transportados mientras esté en cualquier otro Modo. Esta prestación no funcionará si el código de TV, SAT o CABLE programado tiene su propio control de botones de transporte de VCR, como por ejemplo un TV Combo, SAT/PVR, etc.

### Control de volumen/silencio y traspaso

Este control remoto le permite seleccionar que Modo de equipo controla los botones de volumen/silencio. Inicialmente este control está ajustado (de fábrica) para que todos los Modos de equipos programados con códigos "**Visual**" (por ej. TV, VCR, DVD, DVR, SAT & CABLE) y códigos de "**Audio**" (por ej. CD & AUDIO) utilicen su propia función de control de volumen/silencio cuando la tengan. Si el código "**Visual**" programado no tiene operación propia de volumen/silencio, entonces esos botones traspasarán el control al equipo del Modo de **TV** sin necesidad de cambiar al Modo **TV**. Por información más detallada, vea "Ajuste del control de volumen/silencio y traspaso". Por favor refiérase a la pagina siguiente.

## Preparación, cont.

Cualquier modo seleccionado para el control de volumen/silenció **DEBE** contar con su propia función de volumen/silenció o los botones de volumen/silenció no funcionarán.

### Ajuste de **TODOS** los controles de Volumen/Silenció a cualquier modo.

Esta rutina puede ajustar todos los modos para priorizar a cualquier modo seleccionado para el botón de control de volumen/silenció sin necesidad de cambiar a ese modo.

1. Presione y mantenga presionado el botón **SETUP** hasta que el indicador rojo se encienda, luego suéltelo.
2. Presione y mantenga presionado el botón **MUTE** hasta que el indicador rojo destelle, luego suéltelo.
3. Presione y suelte el botón de modo deseado (**TV**, **VCR**, etc.) para el control de volumen/silenció, el indicador rojo destella y luego permanece encendido.
4. Presione y suelte el botón **MUTE** y el indicador rojo se apaga. El indicador rojo destellará rápidamente durante tres segundos si el modo que ha seleccionado no tiene control de volumen/silenció.
5. Todos los demás modos priorizarán al modo que usted ha elegido para el control de volumen/silenció.

Todos los modos programados “visual” y “audio” ahora funcionarán con los modos respectivos que usted ha elegido para el control de volumen / silencio.

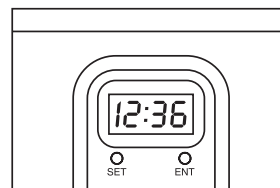
### Configuración de Control de Volumen/Silenció para Cualquier Modo

Esta rutina puede fijar cualquier modo para el uso solamente de su propio control de Volumen/Silenció. Nota - si su modo elegido no tiene ninguna función de volumen/silenció propio entonces los botones de volumen/silenció no harán nada.

1. Presione y mantenga presionado el botón **SETUP** hasta que el indicador rojo se encienda, luego suéltelo.
2. Presione y mantenga presionado el botón **MUTE** hasta que el indicador rojo deje de destellar, luego suéltelo.
3. Presione y suelte el botón de modo deseado (**TV**, **VCR**, etc.), el indicador rojo destella y luego queda encendido.
4. Presione y suelte el botón de **VOLUMEN-** (abajo), el indicador rojo destella y luego queda encendido.
5. Presione y suelte el botón **MUTE** y el indicador rojo se apaga.

Todos los modos programados “visual” y “audio” ahora funcionarán con los modos respectivos que usted ha elegido para el control de volumen/silenció.

## Preparación, cont.



### Para Fijar la fecha y la hora

Fije la fecha y la hora usando un lápiz o un clip de papel para oprimir SET y ENT localizados bajo la pantalla del reloj.

1. Oprima SET dos veces. Un número del 1 a 12 para el mes aparece en el lado izquierdo de la pantalla, oprima y mantenga oprimido ENT hasta que aparezca el mes actual, entonces suelte ENT.
2. Oprima SET una vez para fijar el mes y para seguir los ajustes para la fecha.
3. Oprima y mantenga oprimido ENT hasta que se presente la fecha actual, después suelte ENT.
4. Presione SET una vez para fijar la fecha y para seguir los ajustes para la hora.
5. Oprima y mantenga oprimido ENT hasta que se presente la hora actual, después suelte ENT.
6. Presione SET una vez para fijar la hora y para seguir los ajustes para el minuto.
7. Oprima y mantenga oprimido ENT hasta que se presente el minuto actual, después suelte ENT.
8. Oprima SET una vez y la hora fijada se presenta en la pantalla.
9. Oprima ENT una vez para activar el reloj (los dos puntos destellan en intervalos de 1 segundos).

### Para mostrar la fecha y la hora

Después de terminar los ajustes, se muestra el tiempo. Presione el botón ENT una vez para mostrar la fecha. Si usted desea hacer que el tiempo y la fecha se alternen, oprima y suelte ENT y después SET. Para apagar esta función, oprima y mantenga oprimido ENT hasta que se presente la hora.

### Para mostrar los segundos

Cuando se muestra la hora, presione ENT dos veces para mostrar los segundos.

Cuando se muestra la fecha, presione ENT una vez para mostrar los segundos.

Cuando se muestran los segundos, presione y suelte SET para fijar la exhibición de los segundos a “00.”

Cuando se muestran los segundos, oprima y suelte ENT para cambiar de nuevo a la exhibición del tiempo.



## Localización y reparación de averías

### El Control Remoto no Opera su Producto

- Oprima el botón de modalidad del aparato que desea controlar.
- Programe el control remoto con un nuevo código.
- Instale baterías nuevas (quizá tenga que reprogramar su control remoto después de instalar baterías nuevas).
- Puede ser que el control remoto no sea compatible con su aparato.

### El Control Remoto no Opera Algunas Funciones de su Aparato

- Programe el control remoto con un código nuevo.
- Puede ser que el control remoto no sea capaz de operar todas las funciones de su aparato o los nombres de los botones pueden ser diferentes a los de su aparato.

### La Luz Indicadora Parpadea Después de que Programa un Código de Producto

- El control remoto no aceptó el código.
- Intente programar el código otra vez o trate un código diferente.

Para solicitar ayuda con la configuración, por favor llame al teléfono (919) 573-7854.

## Garantía limitada de por vida

El fabricante garantiza que este producto carece de defectos de material, manufactura o armado, bajo uso normal y de acuerdo con las especificaciones y advertencias, durante el tiempo que éste sea de su propiedad. Esta garantía cubre únicamente al comprador original del producto y no es transferible.

Los productos defectuosos deben ser devueltos al comercio vendedor, junto con la prueba de compra que indique la fecha, para su reparación o reposición. **NO EXISTEN OTRAS GARANTÍAS EXPLÍCITAS.** No se aceptan reclamos por daños incidentales e indirectos, de acuerdo a lo permitido por la ley. Esta garantía le otorga derechos legales específicos, y usted puede tener otros derechos que pueden variar de estado a estado.

Hecho en China-TC,  
Aseguración de calidad en Estados Unidos  
Ledgewood, New Jersey 07852

## Table des matières

Introduction .....	35
Fonctions des touches .....	36
Fonctions DVD et SAT .....	38
INPUT .....	38
Touche SHIFT .....	39
Configuration .....	40
Installation des piles .....	40
Économiseur de piles .....	40
Mise sous tension pare défaut .....	40
Programmation des codes .....	40
Saisie des codes .....	41
Saisie directe des codes .....	41
Recherche des codes .....	41
Recherche de marque .....	42
Identification des codes .....	43
Minuteur de mise en veille .....	43
Programmation de codes pour téléviseurs combinés ..	44
Commande d'appareils combinés .....	44
Commande d'appareils avec touches ON/OFF distinctes .....	44
Priorité des fonctions des modes VCR/DVD/DVR .....	45
Commandes de volume/sourdine .....	45
Réglage de volume/sourdine en commande prioritaire	46
Programmation d'un mode pour qu'il contrôle sa propre commande Volume/Mute .....	46
Réglage de la date et de l'heure .....	47
Dépannage .....	48

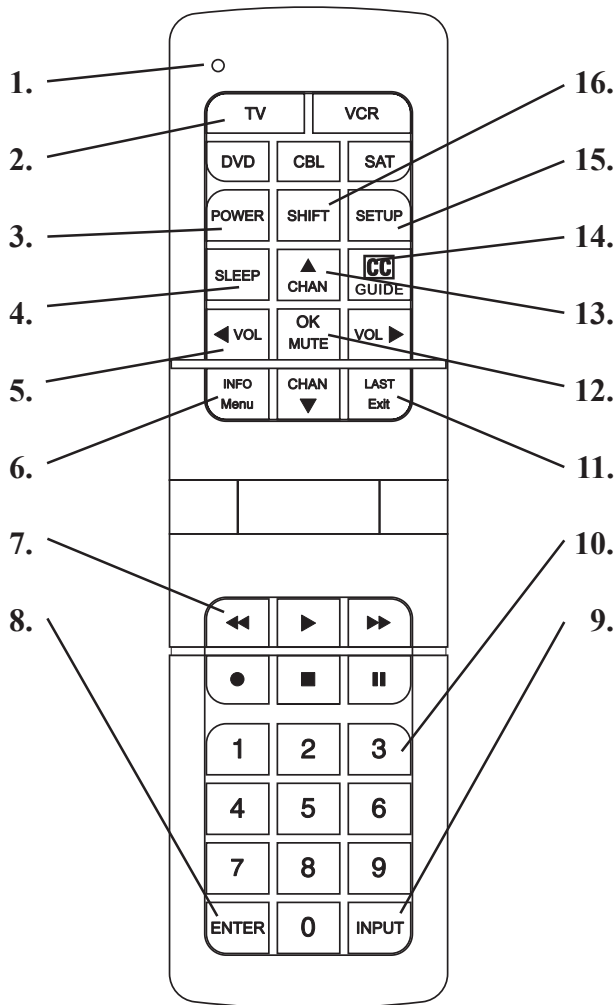
## Introduction

Félicitations! Et merci d'avoir acheté la télécommande universelle Philips. Grâce à cette télécommande, vous pouvez remplacer une télécommande brisée ou perdue ou combiner plusieurs télécommandes en une seule.

Cette télécommande permet d'exécuter les fonctions les plus courantes de presque tous (mais non pas tous) les modèles ou marques d'appareil vidéo contrôlés à l'infrarouge. Elle peut comporter des fonctions non disponibles sur vos appareils. Il se peut aussi qu'elle ne vous permette pas d'exécuter certaines de leurs fonctions (p. ex., les fonctions de menu). Dans un tel cas, utilisez votre télécommande initiale. Veuillez lire ce manuel afin de vous familiariser avec votre télécommande universelle Philips. Cela fait, installez les piles, puis programmez la télécommande en fonction de la marque et du modèle de votre appareil.

Encore une fois, merci d'avoir acheté la télécommande universelle Philips. Nous espérons qu'elle vous servira pendant de nombreuses années.

## Fonctions des touches

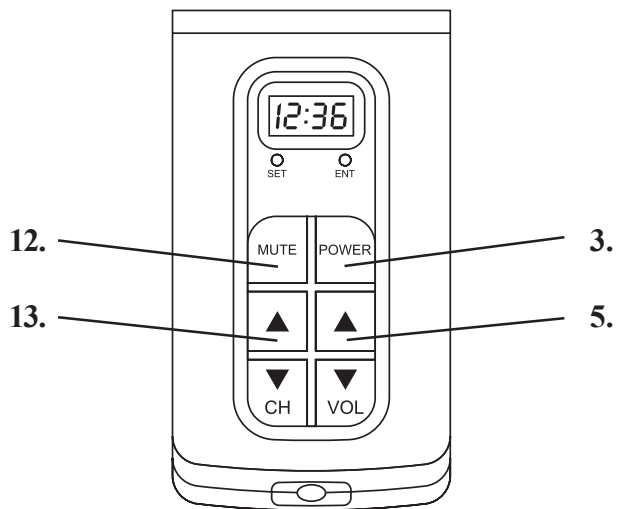


REMARQUE: on doit appuyer deux fois sur la touche **REC** pour enregistrer à partir du magnétoscope.

Toutefois, dans le cas de certains magnétoscopes, il peut être nécessaire d'appuyer sur cette touche tout d'abord une fois, puis une seconde fois durant trois secondes.

Certaines touches de la télécommande peuvent avoir des fonctions appelées différemment de celles figurant sur votre appareil. Par exemple, la touche **LAST** peut être appelée **RECALL** et la touche **ENTER**, **DISPLAY**. Ces différences sont fonction de la marque et du modèle de votre appareil. De plus, cette télécommande ne peut exécuter que les fonctions existant sur votre appareil. Par exemple, votre appareil doit être muni de la fonction **LAST** pour que la touche du même nom puisse activer cette fonction.

## Fonctions des touches, cont.



1. **Témoin** Ce témoin s'allume lorsque n'importe quelle touche est enfoncée.
2. **TV, VCR, DVD, CBL, SAT** Pour sélectionner l'appareil choisi.
3. **POWER** Pour allumer ou éteindre l'appareil.
4. **SLEEP** Pour que l'appareil s'éteigne automatiquement après une période d'une minute à 99 minutes.
5. **VOLUME UP/DOWN** Pour augmenter ou réduire le niveau du son de l'appareil, habituellement celui du téléviseur.
6. **INFO** Permet d'afficher l'information du TV, lecteur DVD, SAT, le menu de sélection de scènes, plages ou titres, l'indication de la durée qui reste ou qui s'est écoulée, l'information sur le système, etc. **MENU** permet d'afficher le menu du disque. A utiliser avec les touches de déplacement **UP, DOWN, LEFT** et **RIGHT**.
7. **RECORD, PLAY, STOP, REW, FF, PAUSE**  
VCR pour faire fonctionner le magnétoscope, même lorsque la télécommande est réglée pour commander le téléviseur. Permet aussi d'exécuter la fonction Scan +/- du lecteur de DVD.
8. **ENTER** Pour passer directement au canal sélectionné après l'entrée directe du numéro du canal.
9. **INPUT toggle** Dans le cas de certains téléviseurs, permet de sélectionner une source de visualisation disponible (antenne, câble récepteur, magnétoscope, etc.) en appuyant plusieurs fois sur la touche.
10. **NUMBERS** Pour entrer directement les numéros de canal. Certains appareils requièrent que l'on appuie sur la touche Enter après chaque sélection de canal.
11. **LAST** Pour revenir au canal précédemment sélectionné ou au lecteur de DVD. La touche **REPEAT** permet d'exécuter la fonction Repeat A-B ou (RPT A.B) des lecteurs de DVD pour rejouer la piste ou la plage courante. **EXIT (Quitter)** Pour quitter les fonctions du menu.
12. **MUTE** Pour couper le son du téléviseur, tout en conservant l'image. **OK** Pour sélectionner les options de menu de.
13. **CHANNEL UP/DOWN** Pour changer de canal. **CHAPTER +/-** Pour sélectionner une piste du disque compact ou DVD ou pour passer directement à une piste précédente ou suivante (en mode **DVD** ou **SAT**). Remarque : Les touches de défilement du magnétoscope permettent aussi de commander le lecteur de DVD en mode DVD).
14. **CC (SUBTITLE)** Pour afficher les sous-titres d'une émission de télévision (si votre téléviseur dispose de cette fonction) ou le menu des sous-titres du lecteur de DVD. En mode **SHIFT** la touche **CC** permettant d'afficher le **GUIDE** sur les canaux satellites à l'écran.
15. **SETUP** Pour programmer la télécommande.
16. **SHIFT** Pour accéder aux fonctions auxiliaires (en vert), appuyer une fois sur **SHIFT**. See page 39.

## Fonctions des touches, cont.

### Fonctions SAT

**Channel+** et **Channel-** permettent d'exécuter les fonctions **Page+** et **Page-** pour les menus du guide apparaissant à l'écran utilisés par certains systèmes satellites.

**Info** permet d'afficher l'information du récepteur satellite afin d'obtenir l'information sur le canal choisi ou sur le système.

En mode **SHIFT** la touche **CC** permettant d'afficher le **GUIDE** sur les canaux satellites à l'écran.

### Fonctions DVD

**FORWARD** et **REVERSE** permettent de contrôler la vitesse de l'avance rapide et du rebobinage respectivement.

**CHANNEL+** et **CHANNEL-** permettent de localiser les chapitres ou pistes suivantes et précédentes sur un disque.

**SUBTITLE (CC)** permet d'afficher le menu des sous-titres à des fins de sélection et d'affichage.

**REPEAT (LAST)** permet d'exécuter la fonction A+B Repeat (ou RPT A.B) des lecteurs de DVD pour rejouer la piste ou le chapitre courant.

**INFO** permet d'afficher l'information du lecteur DVD, le menu de sélection des scènes, plages ou titres, l'indication de la durée qui reste ou qui s'est écoulée, l'information sur le système, etc.

**PLAY** permet de lancer la lecture du disque. Permet aussi, sur certains lecteurs de DVD, de sélectionner une option de menu.

**STOP** permet d'interrompre la lecture du disque.

**PAUSE** permet d'interrompre momentanément la lecture du disque; appuyer sur la touche **PLAY** pour la relancer.

**INPUT** Permet d'afficher le menu de programmation des lecteurs de DVD.

### INPUT

En mode téléviseur la touche **INPUT** permet d'exécuter la fonction de commutation de la source **INPUT**.

En mode magnétoscope, la touche **INPUT** permet d'exécuter la fonction de commutation d'antennes de téléviseur et de magnétoscope.

En mode câblorécepteur, la touche **INPUT** permet d'exécuter la fonction de commutation A.B.

En mode SAT, la touche **INPUT** permet d'exécuter la fonction de commutation de téléviseur/système satellite.

En mode lecteur de DVD, la touche **INPUT** permet d'exécuter la fonction de configuration du lecteur de DVD.

La touche **SELECT** effectue la même fonction que la touche **OKAY**, qui apparaît souvent sur les produits d'autres fabricants.

La touche **CC** actionne la fonction de sous-titrage, mais seulement lorsque l'appareil commandé est conçu pour l'exécuter.

## Fonctions des touches, cont.

### Touche SHIFT

La touche **SHIFT** fait la « bascule » entre les deux fonctions d'une touche; il suffit d'appuyer sur **SHIFT** pour exécuter une commande auxiliaire, puis d'appuyer de nouveau pour revenir à la commande principale. Le témoin rouge s'illumine lorsqu'une fonction auxiliaire est activée.

Les fonctions auxiliaires sont indiquées en vert (**MENU**, **EXIT**, **OK GUIDE**, et touches de navigation). Les fonctions principales qui correspondent à ces fonctions auxiliaires sont, respectivement: **INFO**, **LAST**, **MUTE (M)**, **CC**, **CHAPTER +/-**, **CHANNEL UP/DOWN** et **VOLUME UP/DOWN**, indiquées en noir ou en bleu.

Pour accéder aux fonctions auxiliaires (en vert), appuyer une fois sur **SHIFT**. Le témoin rouge restera allumé tant que le mode auxiliaire est activé, ou clignotera brièvement si d'autres touches sont utilisées. Appuyer une fois sur la touche voulue pour exécuter la commande indiquée en vert. Pour sortir du mode auxiliaire, appuyer une fois sur la touche **SHIFT**. Il est à noter que la télécommande sort automatiquement du mode auxiliaire lorsqu'aucune touche n'est utilisée pendant un délai d'environ 15 secondes.

Pour accéder aux fonctions ci-dessous en modes SAT ou DVD, appuyer d'abord sur la touche **SHIFT**.

La touche **MENU** permet d'afficher le menu à l'écran; utiliser les touches **UP**, **DOWN**, **LEFT** et **RIGHT** pour y naviguer. La touche **OK** permet de sélectionner des éléments affichés à l'écran.

La touche **EXIT** permet de quitter (supprimer) les menus affichés à l'écran.

### Exemple:

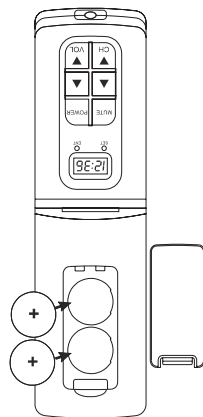
Pour accéder à un menu et y naviguer:

1. Appuyer une fois sur **SHIFT** (le témoin rouge s'allumera).
2. Appuyer une fois sur la touche **MENU (INFO)**.
3. Appuyer une fois sur les touches **UP**, **DOWN**, **LEFT** et **RIGHT**, au choix.
4. Appuyer une fois sur la touche **EXIT (LAST)** pour quitter le menu affiché à l'écran.
5. Appuyer une fois sur la touche **SHIFT** pour revenir aux fonctions principales (le témoin rouge s'éteindra).

## Configuration (suite)

### Installation des piles

1. Pousser sur la languette, puis retirer le couvercle du logement des piles situé à l'arrière de la télécommande.
2. Insérez deux piles au lithium CR2032 (face sur le dessus).
3. Replacer le couvercle.



Remarque : tous les codes programmés sont perdus lorsque les piles sont changées. La télécommande revient aux paramètres d'usine et doit être reprogrammée.

### Économiseur de piles

La télécommande est dotée d'une fonction qui la met automatiquement hors tension lorsqu'on appuie sur une touche durant plus de 30 secondes. Cette fonction permet de conserver l'énergie des piles dans l'éventualité où la télécommande serait placée de manière à ce qu'une touche demeure enfoncée (sous un coussin, par exemple).

### Mise sous tension par défaut

La télécommande se met en marche en mode téléviseur.

### Programmation des codes

La touche **SETUP** permet de programmer la télécommande. Vous pouvez effectuer cette opération soit en sélectionnant le code de la marque de l'appareil dans les tables de codes, soit en recherchant dans la liste de codes un code approprié à l'appareil.

Veillez consulter la section intitulée Programmation avec recherche de code à la page 41 pour obtenir de plus amples renseignements sur la façon d'utiliser la fonction de recherche pour rechercher un code dans la bibliothèque des codes de vos appareils.

**REMARQUES:** vous pouvez stocker tout type de code sous n'importe quel mode (sauf le mode téléviseur). Par exemple, vous pouvez stocker le mode magnétoscope sous la touche **CBL**, un code DVD sous la touche **VCR**, etc. Toutefois, vous ne pouvez stocker les codes TV que sous la touche **TV**.

## Configuration (suite)

### Saisie directe des codes

1. Appuyer sur la touche **SETUP** jusqu'à ce que le témoin reste allumé, puis la relâcher.
2. Appuyer sur la touche du mode choisi (**TV**, **VCR**, etc.), puis la relâcher. Le témoin clignote, puis reste allumé.
3. Entrer le code à 4 chiffres sélectionné à partir des tables de codes. À noter qu'une fois un code valide sélectionné, le témoin s'éteint. Lorsqu'un code non valide est précisé, le témoin clignote.
4. Une fois l'appareil allumé, appuyer sur la touche **CHANNEL UP**. Si l'appareil réagit, aucune autre programmation n'est requise. Remarque : si certaines touches ne fonctionnent pas, essayer d'utiliser un autre code qui convient à la marque de l'appareil.

Inscrire les codes sur cette fiche à des fins de référence.

Type	Type Stocke	Code
TV	TV	
VCR		
DVD		
Cable		
SAT		

### Programmation au moyen de la fonction de recherche des codes

Si l'appareil ne fonctionne pas après avoir essayé tous les codes de votre marque, ou si la marque ne figure pas sur la liste, essayez de rechercher le code en suivant les étapes présentées ci-dessous.

1. Allumer manuellement l'appareil choisi (téléviseur, magnétoscope, etc.).
2. Appuyer sur la touche **SETUP** jusqu'à ce que le témoin reste allumé, puis la relâcher.
3. Appuyer sur la touche du mode choisi (**TV**, **VCR**, etc.), puis la relâcher. Le témoin clignote, puis reste allumé.
4. Appuyer sur la touche **CHANNEL UP** à plusieurs reprises (jusqu'à 300 fois) jusqu'à ce que l'appareil que l'on veut faire fonctionner change de canal. Le témoin clignote, puis reste allumé. Si l'on dépasse par mégarde le code requis, il suffit d'appuyer sur la touche **CHANNEL DOWN** pour effectuer un repérage arrière dans la liste de codes, et ce, jusqu'à ce que l'appareil change de canal. La touche **CHANNEL UP** permet de modifier la direction et d'effectuer de nouveau un repérage avant.
5. Appuyer sur la touche **MUTE**, puis la relâcher pour stocker le code.

## Configuration (suite)

La plupart des utilisateurs stockent les codes du magnétoscope sous la touche **VCR**, les codes du système satellite, sous la touche **CABLE**, etc. Si (par exemple) vous désirez stocker le code du magnétoscope sous la touche **CABLE**, vous devez tout d'abord exécuter la procédure de saisie de code directe (page précédente) appuyer sur la touche **CABLE** à l'étape 2 de la procédure, puis entrer le code du magnétoscope à l'étape 3. Exécutez ensuite les étapes relatives à la recherche de code présentées ci-dessus (ou à la section Recherche de marque, au-dessous).

**Remarque:** si l'appareil ne dispose pas d'une touche **CHANNEL UP**, utiliser à la place la touche **PLAY** (pour le magnétoscope seulement) ou **POWER**. L'opération de recherche commence à partir du numéro à 4 chiffres actuellement stocké sous le mode en question.

### Recherche de code par marque

Vous permet de rechercher le code d'une marque particulière dans la bibliothèque de codes d'un fabricant spécifique.

1. Allumez l'appareil (téléviseur, magnétoscope, etc.) à commander.
2. Appuyez sur la touche **SETUP** et maintenez-la enfoncée jusqu'à ce que le témoin rouge s'allume, puis relâchez la touche.
3. Appuyez rapidement sur la touche du mode désiré (**TV**, **VCR**, etc.), puis relâchez-la. Le témoin rouge clignote une fois.
4. Appuyez sur la touche numérique (**0 à 9**) correspondant au fabricant en question (voir le tableau sur la feuille de liste des codes), puis relâchez-la. Le témoin rouge clignote une fois. Remarque : La touche (**0**) permet d'exécuter une recherche exhaustive de la bibliothèque semblable à la méthode de recherche de code normal présentée à la page précédente.
5. Appuyez sur la touche **CHANNEL UP** ou **POWER** ou **PLAY** (magnétoscope uniquement) plusieurs fois jusqu'à ce que l'appareil à commander change de canal. Le témoin rouge clignote chaque fois que vous appuyez sur la touche. Si vous dépassez par mégarde le code requis, appuyez sur la touche **CHANNEL DOWN** pour revenir en arrière jusqu'à ce que l'appareil change de canal. La touche **CHANNEL UP** permet de rétablir la direction vers l'avant.
6. Appuyez sur la touche **MUTE**, puis relâchez-la pour enregistrer le code. La saisie relative à la méthode de recherche de marque est maintenant terminée.

Remarque : Une fois que vous avez recherché tous les codes figurant sous une marque, le témoin rouge clignote rapidement durant trois (3) secondes.

## Configuration (suite)

### Fonction d'identification des codes

Cette fonction permet d'identifier le code à 4 chiffres de la liste des codes stocké sous la touche de l'appareil choisi. Par exemple, pour connaître le code à 4 chiffres stocké sous la touche du téléviseur, suivre les six étapes précisées ci-dessous :

1. Appuyer sur la touche **SETUP** jusqu'à ce que le témoin reste allumé, puis la relâcher.
2. Appuyer sur la touche du mode choisi (**TV**, **VCR**, etc.), puis la relâcher. Le témoin clignote, puis reste allumé.
3. Appuyer sur la touche **SETUP**, puis la relâcher. Le témoin clignotera, puis s'éteindra.
4. Pour trouver le premier chiffre du code stocké sous la touche du mode utilisée à l'étape 2, appuyer sur chaque touche numérique de **0 à 9**. Le témoin clignote brièvement, puis s'éteint lorsque le numéro de la touche utilisée correspond au premier chiffre du code recherché.
5. Pour trouver le deuxième chiffre, reprendre l'étape 4. Encore une fois, le témoin clignote brièvement, puis s'éteint lorsque le numéro de la touche utilisée correspond au deuxième chiffre du code recherché.
6. Reprendre l'étape 4 de nouveau pour trouver les troisième et quatrième chiffres.

### Minuteur de mise en veille

Le bouton **SLEEP** (sommeil) met en marche la fonction **SLEEP** (sommeil) sur votre appareil en assumant qu'il y est relié. Autrement, vous pouvez régler votre télécommande pour éteindre votre téléviseur après une période de 1 à 99 minutes tel que décrit plus bas. Cette fonction n'est disponible que pur le mode **TV** (téléviseur) et la télécommande doit être en mode **TV** (téléviseur) pour programmer une minuterie de sommeil **SLEEP** (sommeil). Cette caractéristique fonctionne même si votre téléviseur n'est pas équipé avec la fonction **SLEEP** (sommeil).

1. Appuyez et relâchez la touche de mode **TV** (téléviseur).
2. Appuyez sur le bouton **SETUP** et maintenez-le dans cette position jusqu'à ce que le voyant rouge reste allumé. Relâchez le bouton **SETUP**.
3. Appuyez puis relâchez le bouton **SLEEP** (sommeil). (Remarque: toute programmation de minuterie de sommeil précédente s'annule à ce moment-ci et la télécommande retrouve sa fonction normale).
4. Appuyez puis relâchez les boutons numériques (**01-99**) pour sélectionner la période de temps désirée. Le voyant rouge cesse de clignoter pour signifier qu'il accepte le choix de l'entrée par la pression sur le bouton et demeure ferme lors de la deuxième pression sur le bouton.
5. La minuterie de sommeil du téléviseur est maintenant programmée.
6. **Assurez-vous que la télécommande fait toujours face au téléviseur, et que l'espace entre les deux appareils set libre de toute obstruction.**

Pour annuler la minuterie sommeil, appuyez puis relâchez le bouton du mode **POWER** (mise sous tension) dans le mode **TV** (téléviseur) ou répétez les étapes 1, 2, et 3 plus haut.

## Configuration (suite)

### Programmation des combinés

Notez que certains combinés (TV/VCR, TV/DVD, DVD/VCR, etc.) exigeront de programmer deux boutons différents pour commander les deux appareils du combiné. Avec un combiné TV/DVD par exemple, il s'agirait de programmer le bouton **TV** pour commander la TV, et un autre bouton (tout autre bouton de mode) pour commander le DVD.

### Contrôle des combinés

Les télécommandes de certains combinés (TV/VCR, TV/DVD, DVD/VCR, etc.) sont dotées de boutons distincts pour commander les deux composants du combiné. Par exemple, si vous possédez un combiné DVD/VCR, la télécommande d'origine peut être dotée de boutons DVD et VCR distincts pour commander chacun des composants du combiné. Les commandes équivalentes sur votre télécommande Philips se programmeront à partir du bouton du mode de l'appareil et du bouton **SETUP**.

En vous reportant à la rubrique «Programmation par recherche de code» de la page 41, programmez le bouton du mode de l'appareil (p.ex. **DVD**) en saisissant le code qui correspond à la marque de votre combiné. Dans le cas, par exemple, d'un combiné DVD/VCR dont le code est programmé sous le mode **DVD**, il s'agirait alors de maintenir enfoncé le bouton du mode DVD pendant au moins une seconde pour transmettre la commande correspondante. Pour transmettre la commande du bouton VCR, pressez et relâchez rapidement le bouton **SETUP**, puis pressez et relâchez le bouton du mode **DVD**. Cette méthode peut s'appliquer à tous les types de combinés (TV/VCR, TV/DVD, DVD/VCR, etc.) et dans tous les modes d'appareil. Notez cependant que cette fonction n'est pas prise en charge par tous les codes.

### Contrôle des appareils requérant des boutons de mise sous (On) et hors (Off) tension distincts

La mise sous tension et hors tension de certains appareils (p.ex. certaines TV RCA) s'effectue par le biais de boutons distincts. Les commandes équivalentes sur votre télécommande Philips activeront par le bouton du mode de l'appareil et le bouton **POWER**. En vous reportant à la rubrique «Programmation par recherche de code» de la page 41, programmez le bouton du mode de l'appareil (p.ex. **TV**) en saisissant le code qui correspond à la marque de votre appareil. Dans le cas, par exemple, d'une TV dont le code est programmé sous le mode TV, il s'agit alors de maintenir enfoncé le bouton du mode TV pendant au moins une seconde pour transmettre la commande de mise sous tension. Pour mettre la TV hors tension, il s'agit de presser et relâcher le bouton **POWER**.

## Configuration (suite)

Cette méthode peut s'appliquer à tout appareil, dans tous les modes. Notez cependant que cette fonction n'est pas prise en charge par tous les codes.

### Accès direct aux modes VCR/DVD/DVR

Cette télécommande permet aux 6 boutons d'entraînement du VCR (c.-à-d. **PLAY**, **PAUSE**, **STOP**, **FF**, **REWIND** et **REC**) d'accéder directement, à partir de n'importe quel mode programmé avec des codes TV, SAT ou CABLE, au dernier mode **VCR**, **DVD** ou **DVR** programmé que vous avez utilisé. En général, les autres types de télécommande limitent à l'appareil programmé sous le bouton du mode VCR la fonction d'accès direct (à partir d'un autre mode) sur les 6 boutons VCR. Cette situation n'est pas très commode si vous utilisez un DVD programmé sous un mode différent du mode VCR. Par exemple, si vous avez programmé 3 appareils (DVD, VCR ou DVR) sur la télécommande, c'est le dernier appareil utilisé qui répondra aux 6 boutons d'entraînement du VCR, quel que soit le mode dans lequel vous vous trouvez. L'accès direct ne fonctionnera pas si le code TV, SAT ou CABLE programmé prend en charge ses propres commandes d'entraînement du VCR, par exemple dans le cas de certains combinés : TV/autre appareil, SAT/PVR, etc.

### Commande Volume/Mute et fonction d'accès direct

Cette télécommande permet de choisir le mode d'appareil qui contrôlera la commande Volume/Mute. La télécommande est initialement configurée (en usine) pour que tous les modes programmés avec des codes vidéo (p.ex. TV, VCR, DVD, DVR, SAT et CABLE) et des codes audio (p.ex. CD et AUDIO) puissent utiliser leur propre commande Volume/Mute, si cette dernière est présente. Si le code vidéo programmé ne prend pas en charge la fonction Volume/Mute, alors le bouton de mode accèdera directement au mode **TV** sans qu'il soit nécessaire de quitter le mode en cours. Veuillez vous reporter à la rubrique Programmation de la commande Volume/Mute et de la fonction d'accès direct à la prochaine page.

## Configuration (suite)

Tout mode dont on souhaite commander la fonction Volume/Mute **DOIT** disposer de sa propre fonction Volume/Mute, sinon les boutons Volume/Mute ne serviront à rien.

### Programmation d'un mode pour qu'il accède à TOUTES les commandes Volume/Mute

Cette procédure permet à n'importe quel mode d'accéder directement à la commande Volume/Mute de n'importe quel autre mode choisi, sans avoir à sortir du mode en cours.

1. Enfoncer la touche **SETUP** jusqu'à ce que le témoin rouge s'allume, puis la relâcher.
2. Enfoncer la touche **MUTE** jusqu'à ce que le témoin rouge clignote et s'éteigne, puis la relâcher.
3. Enfoncer puis relâcher la touche de mode voulue (**TV**, **VCR**, etc.) dont la commande de volume/sourdine deviendra prioritaire. Le témoin clignotera puis restera allumé.
4. Enfoncer puis relâcher la touche **MUTE**; le témoin rouge s'éteindra. Il clignotera rapidement pendant trois secondes si le mode choisi ne peut pas effectuer la commande de volume/sourdine.
5. Tous les modes accepteront maintenant la commande prioritaire de volume/sourdine du mode choisi.

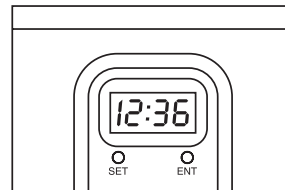
Tous les modes vidéo et audio programmés pourront maintenant accéder directement aux modes respectifs que vous avez choisis pour commander la fonction Volume/Mute.

### Programmation d'un mode pour qu'il contrôle sa propre commande Volume/Mute

Cette procédure permet de programmer n'importe quel mode pour qu'il contrôle sa propre commande Volume/Mute. Remarque – Si le mode choisi n'est pas doté de sa propre fonction Volume/Mute, alors les boutons Volume/Mute ne seront pas fonctionnels.

1. Enfoncer la touche **SETUP** jusqu'à ce que le témoin rouge s'allume, puis la relâcher.
2. Enfoncer la touche **MUTE** jusqu'à ce que le témoin rouge clignote et s'éteigne, puis la relâcher.
3. Enfoncer puis relâcher la touche désiré de mode (**TV**, magnétoscope, etc.), le témoin clignotera puis restera allumé.
4. Enfoncer puis relâcher la touche **VOLUME-** voulue. Le témoin clignotera puis restera allumé.
5. Enfoncer puis relâcher la touche **MUTE**; Le témoin rouge s'éteindra.
6. Tous les modes vidéo et audio programmés pourront maintenant accéder directement aux modes respectifs que vous avez choisis pour commander la fonction Volume/Mute.

## Configuration (suite)



### Réglage de la date et de l'heure

Pour régler la date et l'heure, utiliser un crayon ou un trombone pour appuyer sur les boutons SET et ENT sous l'affichage de l'horloge.

1. Appuyer deux fois sur SET. La valeur du mois, entre 1 et 12, s'affiche sur la gauche de l'affichage. Tenir ENT enfoncé jusqu'à ce que le mois en cours s'affiche puis relâcher le bouton ENT.
2. Appuyer une fois sur SET pour valider le mois et passer au réglage de la date.
3. Tenir ENT enfoncé jusqu'à ce que la date en cours s'affiche puis relâcher le bouton ENT.
4. Appuyer une fois sur SET pour valider la date et passer au réglage de l'heure.
5. Tenir ENT enfoncé jusqu'à ce que l'heure courante s'affiche puis relâcher le bouton ENT.
6. Appuyer une fois sur SET pour valider l'heure et passer au réglage des minutes.
7. Tenir ENT enfoncé jusqu'à ce que les minutes courantes s'affichent puis relâcher le bouton ENT.
8. Appuyer une fois sur SET et l'heure réglée s'affiche.
9. Appuyer une fois sur ENT pour démarrer l'horloge (les deux points clignotent par intervalles de 1 seconde).

### Pour afficher la date et l'heure

Une fois les réglages effectués, l'heure s'affiche. Appuyer une fois sur ENT pour afficher la date. Pour faire afficher l'heure et la date en alternance, appuyer sur ENT et relâcher, puis sur SET. Pour désactiver cette fonction, tenir ENT enfoncé jusqu'à ce que l'heure s'affiche.

### Pour afficher les secondes

Lorsque l'heure est affichée, appuyer deux fois sur ENT pour afficher les secondes. Lorsque la date est affichée, appuyer une fois sur ENT pour afficher les secondes. Lorsque les secondes sont affichées, appuyer une fois sur SET pour remettre l'affichage des secondes à « 00 ». Lorsque les secondes sont affichées, appuyer une fois sur ENT pour revenir à l'affichage de l'heure.



## Dépannage

### **Le Télécommande ne permet pas de mettre l'appareil en marche.**

- Appuyer sur la touche du mode de l'appareil choisi.
- Programmer la télécommande au moyen d'un nouveau code.
- Installer des piles neuves. (Une fois les nouvelles piles installées, il sera peut-être nécessaire de reprogrammer la télécommande.)
- La télécommande ne convient peut-être pas à l'appareil.

### **La Télécommande ne permet pas d'exécuter certaines fonctions de l'appareil**

- Programmer la télécommande au moyen d'un nouveau code.
- La télécommande n'est peut-être pas en mesure d'exécuter toutes les commandes de l'appareil ou les indicatifs des touches différent peut-être de ceux de l'appareil.

### **Le témoin clignote une fois le code programmé.**

- La télécommande n'a pas accepté le code.
- Essayer de reprogrammer le code ou choisir un autre code.

Pour de L'assistance concernant le réglage, veuillez composer le 919-573-7854.

## Garantie a vie limitée

Le fabricant garantit que ce produit ne présentera aucun défaut de matériel, de fabrication ou d'assemblage dans des conditions d'utilisation normale conformes aux spécifications et mises en garde afférentes, et ce aussi longtemps que ce produit demeure en votre possession. Cette garantie s'applique seulement à l'acheteur initial du produit et elle n'est pas transférable. Les produits défectueux doivent être retournés au point de vente avec une preuve d'achat datée en vue d'une réparation ou d'un remplacement. AUCUNE AUTRE GARANTIE EXPRESSE NE S'APPLIQUE. Dans la mesure où la loi l'autorise, les dommages accessoires ou indirects ne sont pas couverts. Cette garantie vous confère des droits juridiques spécifiques et vous pouvez aussi avoir d'autres droits qui varient d'un pays à l'autre.

Fabriqué en Chine.  
Qualité assurée aux États-Unis.  
Ledgewood, NJ 07852, aux États-Unis

sr4050a(4d)\_h14042a\_051006

Notes

Notes

50

51

## Free Manuals Download Website

<http://myh66.com>

<http://usermanuals.us>

<http://www.somanuals.com>

<http://www.4manuals.cc>

<http://www.manual-lib.com>

<http://www.404manual.com>

<http://www.luxmanual.com>

<http://aubethermostatmanual.com>

Golf course search by state

<http://golfingnear.com>

Email search by domain

<http://emailbydomain.com>

Auto manuals search

<http://auto.somanuals.com>

TV manuals search

<http://tv.somanuals.com>