



# PHILIPS



## New ArenaVision

*floodlight luminaires*



lighting solutions that really last



**The MASTER Collection – Lighting solutions that make business sense.**  
Offering best in class energy efficiency, lifetime reliability and lighting quality, Philips MASTER Collection lamps, luminaires and control gears minimise your lighting solution's total cost of ownership. You can start enjoying significant savings and benefits from day one by replacing your conventional lighting products with Philips MASTER Collection upgrades. You can achieve even more dramatic savings and improvements by switching your whole lighting system to the Philips MASTER Collection.



**Presenting the Philips New ArenaVision, the first sports-lighting system specifically designed to dramatically increase the theatrical and emotional values of sports for TV audiences, spectators and players alike. Unique colour quality and brilliance are combined with decreased spill-light and glare to create an even more exhilarating stadium atmosphere and television experience. ArenaVision takes the crowd-pleasing pleasure of sports to a level you have never seen before.**

# best in class sports lighting

**Combining stylish, compact design with high-precision engineering. ArenaVision is the best-in-class system for sports lighting.**

Sports, the world's largest entertainment industry, cover not only professional users but those who use it for recreation as well. This is one of the reasons why Philips has sports lighting concepts dedicated to both dimensions. Thanks to TV coverage, sport captures the attention of almost everyone. That is why lighting plays such an important role, not only to ensure players are performing at their best, but also ensures spectator participation and satisfaction.

Based on Philips' long experience as the world's No.1 sports lighting supplier, the New ArenaVision

enjoys improvements in every aspect, including design, compactness, optics, power, efficiency, beam-spread, control, ease of installation, reliability and flexibility. This makes it the optimum choice for today's high standard sports lighting which demands brilliant lighting level as well as superior color temperature and rendering.

The ArenaVision range of two projectors, the MVF401 & 403, with a variety of reflectors and lamps, offers you a choice of nine different optical systems and three levels of power output for all possible uses; both indoors and outdoors.

*ArenaVision provided spectators and television viewers of the World Cup Stadium in Korea with the very highest standard of lighting needed to ensure the enjoyment of an epic football event.*



## award-winning design

**Unique to New ArenaVision is the patented, award-winning oval shape of the floodlight and the oval reflector inside it.**

A precisely engineered oval reflector provides maximum light gathering capacity with minimal surface area, thus delivering improved output across a balanced range of optics for all lighting requirements.

The oval shape and design of the cast-aluminum housing also produces less windage and drag compared to conventional floodlights. Architects can use slimmer masts, elegant mounting systems

for better architectural integration and imaginative design strategies in any structure or stadium.

The cast-aluminium housing gives the New ArenaVision floodlights a higher quality finish and tighter construction that virtually eliminates ingress of dust and water. Every element of the design, from lamps to optics to gear, works with the others to improve total lighting performance.

*Pioneered by Philips, the innovative design philosophy uses oval design faceted mirrors. It has produced a balanced range of optics to answer all lighting requirements.*

## optimum visibility

**ArenaVision 403 comes equipped with the Philips MHN-SA 2000W metal halide lamp (the first at this rating developed specifically for colour TV), providing up to 15% more light output with no change in the original ArenaVision natural colour rendering.**

This means more brilliant and dramatic lighting than ever before. With its superior daylight colour temperature of 5,600 Kelvin and top colour rendering index of Ra90, you get perfect broadcasting conditions for High Definition TV, sharp super-slow motion and brilliant colour photography.

ArenaVision 401 equipped with a 1000W lamp (MHN-LA 1000W) is also available with exactly the same colour brilliance characteristics as the 403.



*ArenaVision makes light at night look better than daylight.*



*The Orchid Country Club's golf course in Singapore needed a choice of beam spreads to combine output uniformity with aesthetic diversity. ArenaVision provided the answer.*

# increased reliability

As a total lighting solution provider, Philips offers all relevant technologies from lamp to gear and from gear to floodlight, so that everything works in synergy.

That's your assurance that everything will operate perfectly – now and for many years to come.

The ArenaVision housing is cast from aluminum by high pressure. In combination with a chemically toughened front glass protected by a stainless steel grill, the new ArenaVision is designed to resist the worst weather conditions. It comes with an IP65 rating, making it totally impervious to dust and high-pressure water jet. ArenaVision's optional hot re-strike capability is insurance against any electrical incident.

There is very little measurable drop-off in lamp output after 1000 hours of use, which assures constant, stable output and colour consistency. The New ArenaVision will still be as bright as the day they were installed.



Dust proof, rain proof.

The Mooney Valley Racetrack in Australia wanted to eliminate all uncertainty in its lighting system. The Philips reputation and experience made ArenaVision the outstanding winner.

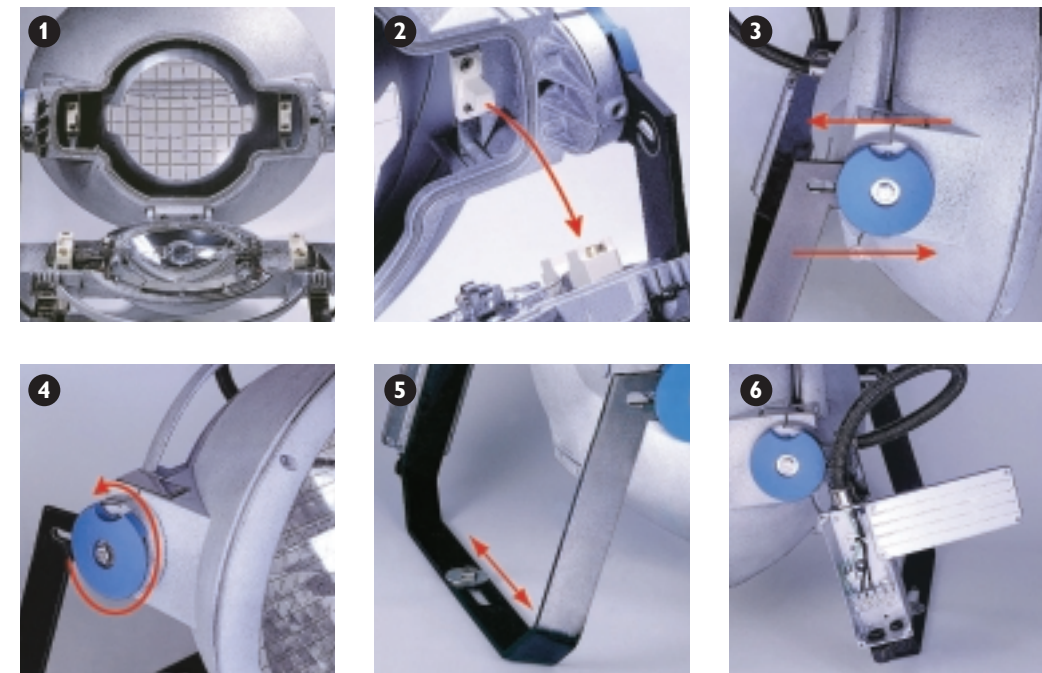


# lower installation and maintenance cost

The increased light output and optical efficiency of the New ArenaVision provide the same uniform brilliance as before (more than conventional floodlights), but with fewer installed floodlights. In any stadium, this would add up to tidy installation savings.

On-site handling is simpler, quicker and cheaper. The compact, lightweight cast-aluminium housing is easy to carry, connect and aim. A hinged back that swings open vastly simplifies re-lamping; no tools are required. Lamps are effortlessly fixed by two snap-in clips. No insertion force on the lamp is necessary. Tight tolerances ensure that no mistakes are possible.

An automatic memory for the original aiming position (optional) is available to assure trouble-free re-lamping. The same exclusive engineering principles apply to models 401 and 403.



- 1 Easy, tool-free access to lamp compartment.
- 2 Precise electrical connection for MHD lamp in model 403 is completed by closing the housing.
- 3 Forward and backward movement of floodlight (MV403 only).
- 4 Rotation inclines floodlight up or down.
- 5 Horizontal shifting with 16mm bolt.
- 6 Connection box for easy electrical installation between floodlight and gear.

# improved light control

## ArenaVision MVF403

ArenaVision MVF403 offers a choice of seven different optical systems all made of chemically anodized and brightened high purity aluminum (99.8%). These seven optics fit within the same housing and provide a program of well-defined beams, each with a sharp cut-off characteristic, which allows the luminaire to be used at various mounting heights.

The seven optics are represented below by their projected beam patterns and corresponding light intensities.

| 1800/2000W Downlighting |                       |  |    |  |    |   |    |   |    |
|-------------------------|-----------------------|--|----|--|----|---|----|---|----|
|                         | $I_{max}$<br>(cd/klm) | $1/2-I_{max}$<br>vertical<br>(degrees) |    | $1/2-I_{max}$<br>horizontal<br>(degrees) |    | $1/10-I_{max}$<br>vertical<br>(degrees) |    | $1/10-I_{max}$<br>horizontal<br>(degrees) |    |
| CAT A1                  | 28075                 | -3                                     | 3  | -4                                       | 4  | -7                                      | 4  | -10                                       | 10 |
| CAT A2                  | 12895                 | -5                                     | 4  | -8                                       | 8  | -9                                      | 7  | -13                                       | 13 |
| CAT A3                  | 10442                 | -5                                     | 6  | -8                                       | 8  | -11                                     | 9  | -15                                       | 15 |
| CAT A4                  | 6570                  | -6                                     | 6  | -12                                      | 12 | -12                                     | 9  | -20                                       | 20 |
| CAT A5                  | 4190                  | -8                                     | 8  | -15                                      | 15 | -16                                     | 11 | -25                                       | 25 |
| CAT A6                  | 2288                  | -10                                    | 9  | -22                                      | 22 | -23                                     | 14 | -39                                       | 39 |
| CAT A7                  | 1509                  | -19                                    | 13 | -22                                      | 22 | -43                                     | 23 | -40                                       | 40 |

## ArenaVision MVF401

The MVF401 range consists of a medium and wide beam, both made of chemically anodized and brightened high purity aluminum (99.8%). These optical systems are also provided with a built-in aluminum reflecting skirt. This, together with the compact lamp in transversal position helps maximize the efficiency and reduce glare and stray light to an absolute minimum. Its beam characteristics make the luminaire ideal for line arrangements alongside a sports playing area. Typical mounting heights vary between 10 and 20 meters.

The optics are represented below by their projected beam patterns and corresponding light intensities.

| 1000W Downlighting |                       |  |    |  |
|--------------------|-----------------------|--|----|--|
|                    | $I_{max}$<br>(cd/klm) | $1/2-I_{max}$<br>vertical<br>(degrees) |    | $1/2-I_{max}$<br>horizontal<br>(degrees) |
| Medium             | 1255                  | -16                                    | 13 | -28 28                                   |
| Wide               | 738                   | -27                                    | 18 | -39 39                                   |

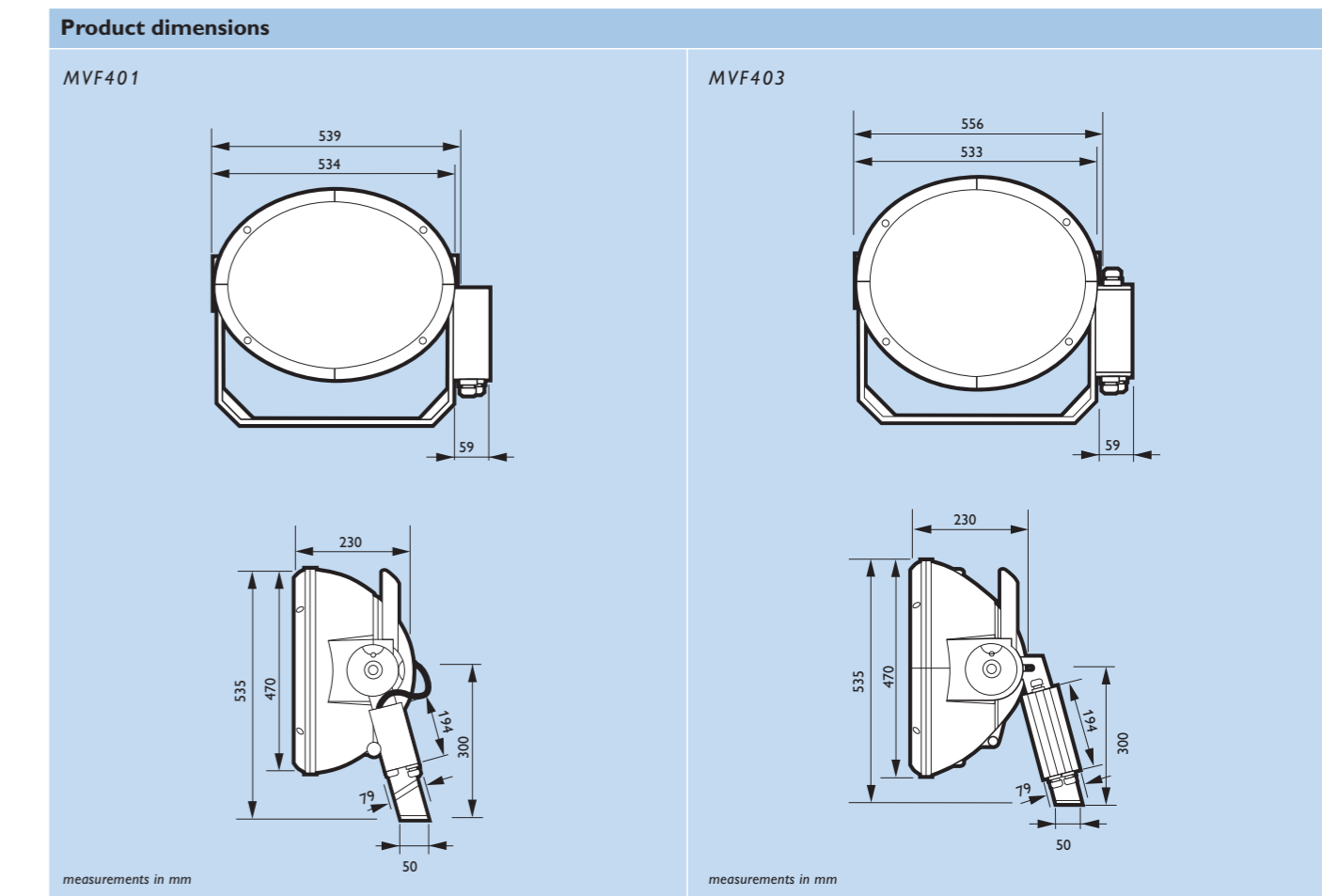
The result; studio-quality control of key, fill and backlighting, optimum broadcast conditions and increased visual comfort for players and spectators.



MVF401

MVF403

| Product details                  |   |
|----------------------------------|---|
| <b>Application</b>               | <ul style="list-style-type: none"> <li>MVF403: major outdoor sports facilities.</li> <li>MVF401: medium to large sports halls and indoor stadiums.</li> </ul>   |
| <b>The oval floodlight</b>       | <ul style="list-style-type: none"> <li>Material: non-corrosive high-pressure die-cast aluminium.</li> <li>Available in two parts: reflector housing and rear housing.</li> <li>The reflector housing comes with a mounting bracket onto which a separate connection box is attached.</li> <li>The rear housing is permanently attached to the reflector housing by a hinge and two stainless steel clips. Can be opened whenever necessary for relamping and/or servicing.</li> </ul>   |
| <b>Reflector</b>                 | <ul style="list-style-type: none"> <li>Material: 99.8% high purity aluminum to maximize light output</li> <li>MVF401: medium and wide beam optical system.</li> <li>MVF403: equipped with seven different optical systems, from very narrow (CAT A1) to very wide (CAT 7)</li> <li>Equipped with built-in aluminum reflecting skirt, which contributes to the efficiency and reduces glare and stray light to an absolute minimum.</li> </ul>   |
| <b>Front glass and wire mesh</b> | <ul style="list-style-type: none"> <li>Downlighting version: comes with chemically toughened front glass (1.6mm thick), which is fixed inside the high-pressure die-cast aluminum frame. This frame is attached to the reflector housing with four stainless steel screws.</li> <li>Uplighting version come with 4mm thick ceramic glass.</li> <li>A silicon rubber gasket around the front glass guarantees perfect sealing between the reflector housing and the frame containing the front glass (IP65).</li> <li>Front glass covered by a stainless steel wire mesh, fixed in between the edge of the frame and the silicone gasket, preventing large pieces of glass from falling down in case of breakage.</li> </ul> |
| <b>Connection box</b>            | <ul style="list-style-type: none"> <li>A separate aluminum connection box is permanently fixed to the mounting bracket. Contains a five-or-six-way terminal block for cable connection.</li> <li>Pre-connected lamp wires enter the floodlight via a PVDF hose.</li> <li>Also serves as a breathing device for the luminaire through the small holes at the bottom of box.</li> </ul>   |
| <b>Rear opening access</b>       | <ul style="list-style-type: none"> <li>Access to the interior of the luminaire (e.g. for lamp replacement) is obtained by releasing the two stainless steel clips at the back of the luminaire. No tools are required.</li> <li>After releasing the clips, the rear housing can be hinged away 120 degrees from the reflector housing till it is automatically blocked. Mounting position of the floodlight remains unchanged. Both hands are now free for re-lamping and/or serving.</li> </ul>  |



measurements in mm

measurements in mm

| Ordering data                      |              |                     |                       |              |                 |
|------------------------------------|--------------|---------------------|-----------------------|--------------|-----------------|
| Product description                | Lamp         | Packing weight (kg) | Dimensions LxWxH (mm) | Packing unit | Ordering number |
| <b>220-240V/50Hz</b>               |              |                     |                       |              |                 |
| MVF401 1xMHN-LA 1000W MB           | MHN-LA 1000W | 12.4                | 620x480x290           | 1            | 9105 002 69118  |
| MVF401 1xMHN-LA 1000W WB           |              |                     |                       |              | 9105 002 69218  |
| MVF403 1xMHN-SA 1800W CAT1         |              |                     |                       |              | 9104 018 33418  |
| MVF403 1xMHN-SA 1800W CAT2         |              |                     |                       |              | 9104 018 33518  |
| MVF403 1xMHN-SA 1800W CAT3         | MHN-SA 1800W | 15.8                | 640x580x340           | 1            | 9104 018 33618  |
| MVF403 1xMHN-SA 1800W CAT4         |              |                     |                       |              | 9104 018 33718  |
| MVF403 1xMHN-SA 1800W CAT5         |              |                     |                       |              | 9104 018 33818  |
| MVF403 1xMHN-SA 1800W CAT6         |              |                     |                       |              | 9104 018 33918  |
| MVF403 1xMHN-SA 1800W CAT7         |              |                     |                       |              | 9104 018 34018  |
| <b>380-415V/50Hz</b>               |              |                     |                       |              |                 |
| MVF403 1xMHN-SA 2000W CAT1         | MHN-SA 2000W | 15.8                | 640x580x340           | 1            | 9104 018 33218  |
| MVF403 1xMHN-SA 2000W CAT2         |              |                     |                       |              | 9104 018 33118  |
| MVF403 1xMHN-SA 2000W CAT3         |              |                     |                       |              | 9104 018 33018  |
| MVF403 1xMHN-SA 2000W CAT4         |              |                     |                       |              | 9104 018 32918  |
| MVF403 1xMHN-SA 2000W CAT5         |              |                     |                       |              | 9104 018 32818  |
| MVF403 1xMHN-SA 2000W CAT6         |              |                     |                       |              | 9104 018 32718  |
| MVF403 1xMHN-SA 2000W CAT7         |              |                     |                       |              | 9104 018 32618  |
| MVF403 1xMHN-SA 2000W CAT1 UP      |              |                     |                       |              | 8241 069 29480  |
| MVF403 1xMHN-SA 2000W CAT3 UP      |              |                     |                       |              | 8241 069 29580  |
| MVF403 1xMHN-SA 2000W CAT5 UP      |              |                     |                       |              | 8241 069 44980  |
| <b>Gear Tray</b>                   |              |                     |                       |              |                 |
| ZVF320 MHD1800 230-240 HP WV SP LD | MHN-SA 1800W | 19                  | 415x270x160           | 1            | 9104 018 60918  |
| ZVF320 MHD2000 380-415 WV SI       | MHN-SA 2000W | 19.5                |                       |              | 9104 018 46118  |
| <b>Gear Box</b>                    |              |                     |                       |              |                 |
| ZVF350/1000S (220V/50Hz)           | MHN-LA 1000W | 17                  | 530x300x250           | 1            | 8241 100 10110  |
| ZVF350/1800M (220V/50Hz)           | MHN-SA 1800W | 20                  |                       |              | 8241 100 10130  |
| ZVF350/2000M (380V/50Hz)           | MHN-SA 2000W | 20.5                |                       |              | 9104 019 66780  |

Notes: Standard products are for 220V 50Hz and 380V/50Hz systems. Other voltage and frequency systems are available upon request. Specifications subject to modification.





**Hong Kong – Philips Electronics  
Hong Kong Ltd.**  
**Lighting Asia Pacific Headquarters**  
27th Floor, Hopewell Centre  
17 Kennedy Road, Wanchai, Hong Kong  
Tel: + 852 2821 5300  
Fax: + 852 2821 5342  
E-mail: [ltinfo.hongkong@philips.com](mailto:ltinfo.hongkong@philips.com)

**Australia – Philips Lighting**  
Level 1, Philips House  
65 Epping Road, North Ryde  
NSW 2113, Sydney, Australia  
Tel: + 61 2 9947 0000 or  
1300 304 404 (toll free-local only)  
Fax: + 61 2 9947 0325  
E-mail: [ltinfo.australia@philips.com](mailto:ltinfo.australia@philips.com)

**China – Philips Lighting**  
No. 1805 Hu Yi Road, Malu Town  
Jiading District, Shanghai, 201801, P.R.China  
Tel: + 86 21 5915 4060  
Fax: + 86 21 5915 4064  
E-mail: [ltinfo.china@philips.com](mailto:ltinfo.china@philips.com)

**India – Philips Lighting**  
Lighting Division  
Motorola Excellence Centre, 5th Floor  
415/2 Mehrauli-Gurgaon Road  
Sector -14, Haryana-122001, India  
Tel: + 91 124 509 1900  
Fax: + 91 124 509 1912  
E-mail: [ltinfo.india@philips.com](mailto:ltinfo.india@philips.com)

**Indonesia – Philips Lighting**  
Gedung Philips  
Jl. Buncit Raya Kav. 99-100  
Jakarta 12510, Indonesia  
Tel: + 62 31 8491 674 or  
0800 10 52678 (hotline-local only)  
Fax: + 62 31 8473 240  
E-mail: [ltinfo.indonesia@philips.com](mailto:ltinfo.indonesia@philips.com)

**Japan – Philips Lighting**  
Philips Building  
13-37, Kohnan 2-chome  
Minato-ku, Tokyo 108-8507, Japan  
Tel: + 81 3 3740 5156  
Fax: + 81 3 3740 5163  
E-mail: [ltinfo.japan@philips.com](mailto:ltinfo.japan@philips.com)

**Korea – Philips Lighting**  
260-199 Itaewon-dong  
Yongsan-ku, Seoul 140-200, Korea  
Tel: + 82 2 709 1312  
Fax: + 82 2 709 1350  
E-mail: [ltinfo.korea@philips.com](mailto:ltinfo.korea@philips.com)

32 2-A52 3 002-01

**Malaysia – Philips Lighting**  
76, Jalan Universiti  
46200 Petaling Jaya  
Selangor Darul Ehsan, Malaysia  
Tel: + 60 3 7957 5511  
Fax: + 60 3 7955 2739  
E-mail: [ltinfo.malaysia@philips.com](mailto:ltinfo.malaysia@philips.com)

**New Zealand – Philips Lighting**  
2 Wagener Place, Mt Albert  
PO Box 1041, Auckland, New Zealand  
Tel: + 64 9 815 4000 or  
0800 454 448 (toll free-local only)  
Fax: + 64 9 849 7812 or  
0800 160 875 (toll free-local only)  
E-mail: [ltinfo.newzealand@philips.com](mailto:ltinfo.newzealand@philips.com)

**Pakistan – Philips Lighting**  
F-54, S.I.T.E.  
Karachi-75730, Pakistan  
Tel: + 92 21 256 0071  
Fax: + 92 21 257 8920  
E-mail: [ltinfo.pakistan\\_2@philips.com](mailto:ltinfo.pakistan_2@philips.com)

**Philippines – Philips Lighting**  
Philips House  
106 Valero St. Salcedo Village  
1227 Makati City, Philippines  
Tel: + 63 2 845 7840  
Fax: + 63 2 816 6340  
E-mail: [ltinfo.philippines@philips.com](mailto:ltinfo.philippines@philips.com)

**Singapore – Philips Lighting**  
620A Lorong 1 Toa Payoh  
Singapore 319762, Singapore  
Tel: + 65 6882 3530  
Fax: + 65 6253 2343  
E-mail: [ltinfo.singapore@philips.com](mailto:ltinfo.singapore@philips.com)

**Taiwan – Philips Lighting**  
25B, No.66, Chung Hsiao W. Road  
Sec. 1, Taipei, Taiwan  
Tel: + 886 2 2382 7666 or  
0800 231 099 (toll free-local only)  
Fax: + 886 2 2382 4422  
E-mail: [ltinfo.taiwan@philips.com](mailto:ltinfo.taiwan@philips.com)

**Thailand – Philips Lighting**  
515 Moo 4, Pattana 3 Road  
Bangpoo Industrial Estate, Soi 8B  
Preaksa, Samutprakarn 10280, Thailand  
Tel: + 66 2 709 3300  
Fax: + 66 2 740 4960-1  
E-mail: [ltinfo.thailand@philips.com](mailto:ltinfo.thailand@philips.com)

**Vietnam – Philips Lighting**  
99-101 Ham Nghi Street  
Ward: Nguyen Thai Binh  
District 1, Ho Chi Minh City, Vietnam  
Tel: + 84 8 914 2248 Ex.304  
Fax: + 84 8 914 2249  
E-mail: [ltinfo.vietnam@philips.com](mailto:ltinfo.vietnam@philips.com)

[www.lighting.philips.com/apr](http://www.lighting.philips.com/apr)



## Free Manuals Download Website

<http://myh66.com>

<http://usermanuals.us>

<http://www.somanuals.com>

<http://www.4manuals.cc>

<http://www.manual-lib.com>

<http://www.404manual.com>

<http://www.luxmanual.com>

<http://aubethermostatmanual.com>

Golf course search by state

<http://golfingnear.com>

Email search by domain

<http://emailbydomain.com>

Auto manuals search

<http://auto.somanuals.com>

TV manuals search

<http://tv.somanuals.com>