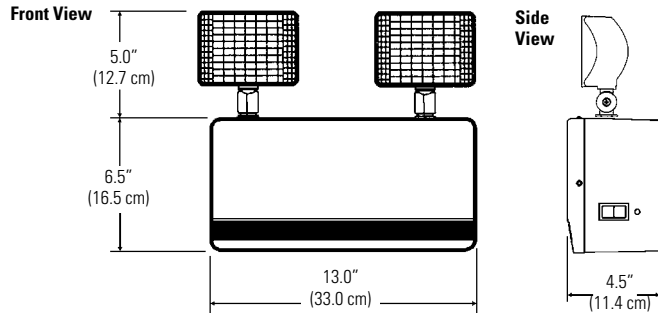


The E3 Series provides egress lighting in a wide variety of wattages. The thermoplastic housing and high performance electronics make the units ideal for commer-



Complete Fixture consists of unit and two lamp heads. Select options and accessories below. For additional lamp heads, see RH Specification Sheet.

How to Specify:

E3					W
SERIES	BATTERY	BATTERY/ DC WATTAGE	# OF HEADS	LAMP HEADS	HOUSING COLOR
E3 = Thermoplastic Emergency Lighting Unit	1 = 6V 2 = 12V	<u>6V, Lead Cadmium</u> 18L = 18W ² 25L = 25W ² 36L = 36W ² 50L = 50W ² <u>6V, Nickel Cadmium</u> 14N = 14W 18N = 18W 25N = 25W 50N = 50W <u>12V, Lead Calcium</u> 36L = 36W ² 50L = 50W ² <u>12V, Nickel Cadmium</u> 25N = 25W 50N = 50W	1 = One 2 = Two 3 = Three Blank = No Heads	<u>6V</u> S6 = 5.4W S7 = 7.2W S9 = 9W <u>12V</u> S9 = 9W S12 = 12.5W S18 = 18W	W = White

NOTES:
1) Not available for use with SD, SA and SDTD options.
2) Selected models are available with damp location option.

Features

- 1. Illumination:** Allows up to three mounted lamp heads. The standard lamp head incorporates a high performance parabolic reflector with a wedge base tungsten lamp. Allows maximum spacing between units along a path of egress.
- 2. Housing:** Constructed of impact resistant, UL 94 V-0, 5VA white thermoplastic. Universal J-box mounting pattern, key hole slots or shelf mounting.
- 3. Electronics:** 120/277 VAC dual voltage input with surge-protected, solid-state circuitry. Charging system is complete with low voltage disconnect, AC lockout, brownout protection, AC indicator lamp and test switch.
- 4. Battery:** Maintenance free, sealed lead calcium battery has an estimated service life of 5 years, and an operating temperature range of 65°F (19°C) to 85°F (30°C). Maintenance free, sealed nickel cadmium battery has an estimated service life of 10 years, and an operating temperature range of 20°F (-7°C) to 95°F (35°C).
- 5. Input Power Requirements:** 120 VAC - 0.18 amps (20 watts); 0.08 amps (20 watts)

Code Compliance

UL 924 listed, CUL listing for 30 minute operation.

Options

- SD** = Self-Diagnostics
- SA** = Self-Diagnostics with Alarm
- SDTD** = Self-Diagnostics with Time Delay
- V** = Voltmeter (not available with Ammeter (A) option) ¹
- A** = Ammeter (not available with Voltmeter (V) option) ¹
- T1** = 120 VAC Time Delay (15 minutes)
- T2** = 277 VAC Time Delay (15 minutes)
- LCK1** = Line Cord (6', 120 VAC field installed)
- DL** = UL Damp Location Listing ²

Options (continued)

- F1** = 120 VAC Fuse
- F2** = 277 VAC Fuse
- P1** = 120 VAC Power Switch
- P2** = 277 VAC Power Switch
- DC** = DC Power Switch
- ST** = Special Input Transformer (specify voltage and frequency)
- HI** = Lamp Heads Installed at Factory

Multiple option configurations may void UL listing. Consult factory for specifics.

Accessories

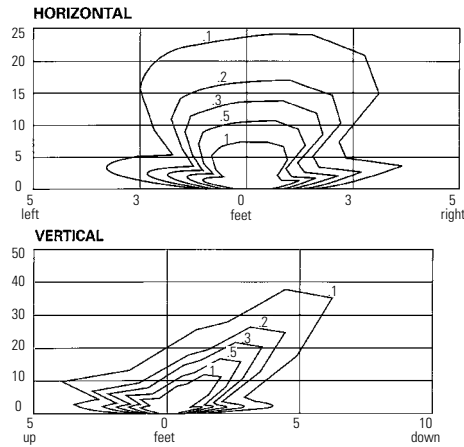
- WG5** = Wire Guard
- PCS1** = Polycarbonate Vandal Shield
- MSSHFW** = White Mounting Shelf

Job Information	Type:
Job Name:	
Cat. No.:	
Lamp(s):	
Notes:	

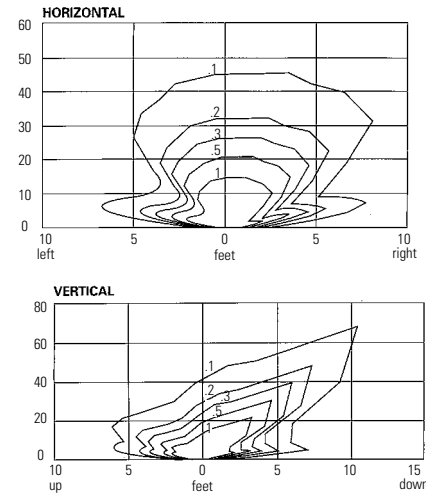
631 Airport Road, Fall River, MA 02720 • (508) 679-8131 • Fax (508) 674-4710
We reserve the right to change details of design, materials and finish.
www.lightolier.com © 2008 Philips Group • E0308

Lamp Head Photometrics

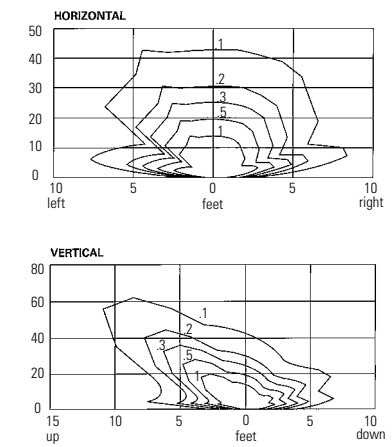
S6- 6 Volt, 5.4 Watt, Tungsten



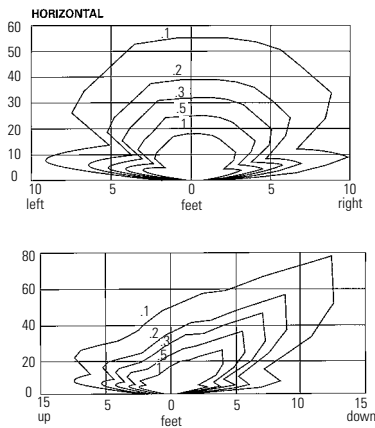
S7- 6 Volt, 7.2 Watt, Tungsten



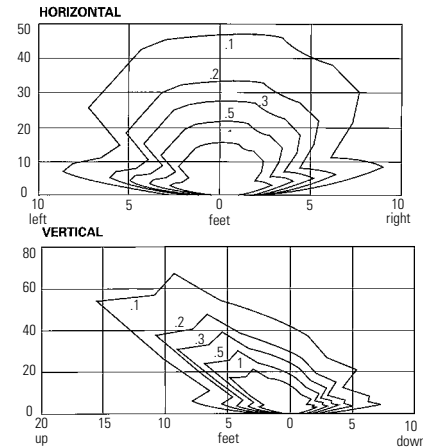
S9- 6 Volt, 9 Watt, Tungsten



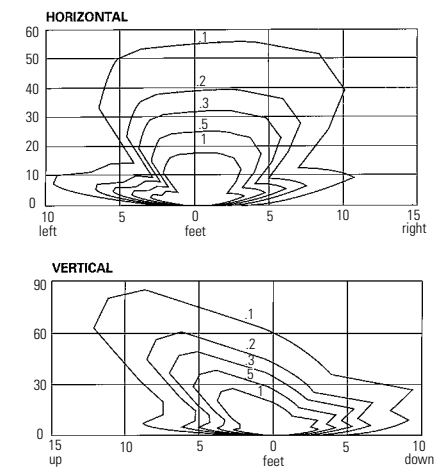
S9- 12 Volt, 9 Watt, Tungsten



S12- 12 Volt, 12.5 Watt, Tungsten



S18- 12 Volt, 18 Watt, Tungsten



Unit Battery Capacity

DC Voltage	Unit	Suggested Lamp Head	Watts to 87% of Rated Voltage*			
			1½ hrs.	2 hrs.	4 hrs.	8 hrs.
6	E3118L	S9	18	13.5	7	—
	E3125L	S9	25	19	9.5	—
	E3136L	S9	36	27	14	7.2
	E3150L	S9	50	37.5	19	10
	E3114N	S9	14	10.5	5.5	—
	E3118N	S9	18	13.5	7	—
	E3125N	S9	25	19	9.5	—
	E3150N	S9	50	37.5	19	10
12	E3236L	S9	36	27	14	7.2
	E3250L	S9	50	37.5	19	10
	E3225N	S9	25	19	9.5	—

* Per NEC Specifications

Warranty

Electronics: 3 years
 Battery: 1 year full, 4 years pro-rata (lead calcium);
 5 year full, 5 years pro-rata (nickel cadmium)

Job Information **Type:**

631 Airport Road, Fall River, MA 02720 • (508) 679-8131 • Fax (508) 674-4710
 We reserve the right to change details of design, materials and finish.
 www.lightolier.com © 2008 Philips Group • E0308

Free Manuals Download Website

<http://myh66.com>

<http://usermanuals.us>

<http://www.somanuals.com>

<http://www.4manuals.cc>

<http://www.manual-lib.com>

<http://www.404manual.com>

<http://www.luxmanual.com>

<http://aubethermostatmanual.com>

Golf course search by state

<http://golfingnear.com>

Email search by domain

<http://emailbydomain.com>

Auto manuals search

<http://auto.somanuals.com>

TV manuals search

<http://tv.somanuals.com>