

Halogen lamps

Double-ended flood Halotone Economy



Definition

Double-ended mains voltage LINEARline halogen lamp with a single-coil filament and a clear tubular quartz bulb. The lamps are equipped with a R7s lamp cap.

Features

The most important features of this lamp are:

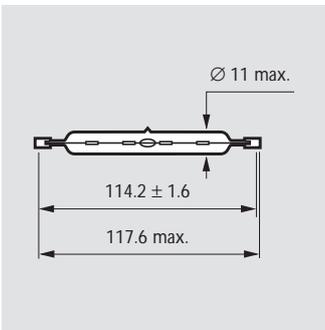
- single supports
- limited burning position (+/- 15°)
- white caps
- arc preventing fuses
- average lamp life of 1500 hrs.
- colour temperature 2800 °K
- excellent colour rendering ($R_a = 100$)
- dimmable.

Note

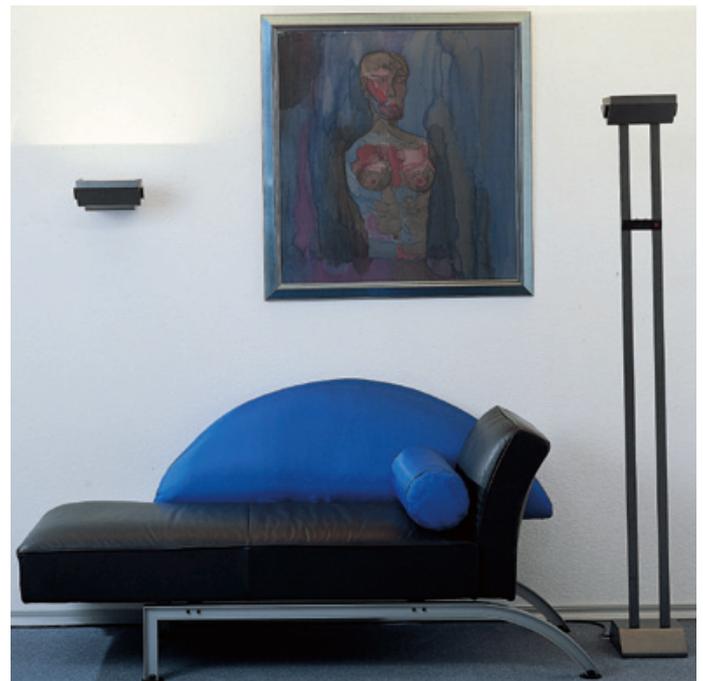
LAMPS SHOULD BE USED IN LIGHTING EQUIPMENT WITH A COVER GLASS.

Applications

LINEARline halogen lamps are ideally suitable for flood-, up-, task-lighting and wall-washing in homes, shops, hotels/restaurants and security lighting (outdoor).



Dimensions in mm



Maximum permissible temperatures

Pinch	350°C
Bulb	900°C (minimum 250°C)

Packing data

Single box packaging			
Packing configuration	Weight kg	Dimensions cm	Volume m ³
100x1	0.8	27.2 x 22.3 x 12.0	0.007

Commercial name	Type	Wattage	Voltage	Luminous intensity lm	Base	Average life h	EOC
		W	V				
Halotone Economy	200T3Q/CL	200	220-240	2820	R7s	1500	519023
Halotone Economy	300T3Q/CL	300	220-240	4480	R7s	1500	519030
Halotone Economy	500T3Q/CL	500	220-240	7920	R7s	1500	519047

Free Manuals Download Website

<http://myh66.com>

<http://usermanuals.us>

<http://www.somanuals.com>

<http://www.4manuals.cc>

<http://www.manual-lib.com>

<http://www.404manual.com>

<http://www.luxmanual.com>

<http://aubethermostatmanual.com>

Golf course search by state

<http://golfingnear.com>

Email search by domain

<http://emailbydomain.com>

Auto manuals search

<http://auto.somanuals.com>

TV manuals search

<http://tv.somanuals.com>