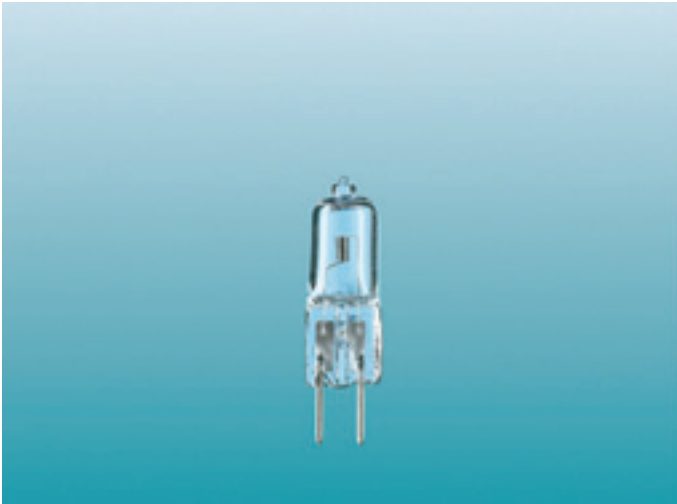


Halogen Lamps

Low-voltage capsules Halotone Economy



Definition

Capsules are the most compact halogen lamps and can be used for a wide range of applications. The capsules are Low Pressure (incl. UV Block) lamps produced according IEC 357 with a special operating filling gas pressure ≤ 2.5 bar to be used in luminaires without front glass (according IEC 598).

The capsules have an axial filament, a clear bulb and have a G4 or GY6.35 lamp base. Axial filament gives higher light output in combination with luminaires and a uniform beam.

Applications

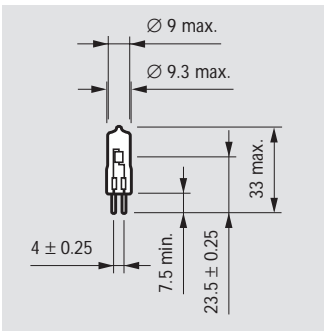
Capsules are ideally suitable for task- and decorative lighting in homes, shops and hotels/restaurants.

Features

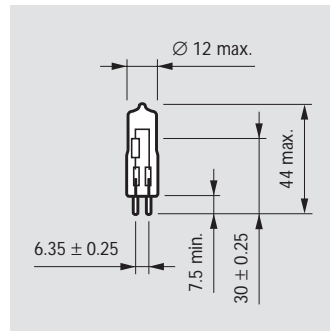
The most important features of this lamp are:

- sturdy and very compact
- standard pin-base
- low pressure technology (incl. UV Block)
- average lamp life of 2000 hrs.
- colour temperature 3000°K
- excellent colour rendering ($R_a = 100$)
- universal burning position
- dimmable

Dimensions in mm



G4



GY6.35



Maximum permissible temperatures

Pinch	350°C
Bulb	900°C (minimum 250°C)
Contacts	300°C

Packing data

Single box packaging			
Packing configuration	Weight kg	Dimensions cm	Volume m ³
100x1	0.4	21.8 x 12.9 x 9.5	0.003

Commercial name	Type	Wattage	Voltage	Luminous intensity lm	Base	Average life	EOC
		W	V			h	
Halotone Economy	14565	10	12	120	G4	2000	412294
Halotone Economy	14566	20	12	300	G4	2000	412331
Halotone Economy	14567	50	12	800	GY6.35	2000	412355

Free Manuals Download Website

<http://myh66.com>

<http://usermanuals.us>

<http://www.somanuals.com>

<http://www.4manuals.cc>

<http://www.manual-lib.com>

<http://www.404manual.com>

<http://www.luxmanual.com>

<http://aubethermostatmanual.com>

Golf course search by state

<http://golfingnear.com>

Email search by domain

<http://emailbydomain.com>

Auto manuals search

<http://auto.somanuals.com>

TV manuals search

<http://tv.somanuals.com>