

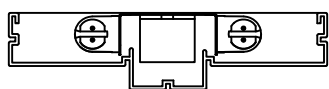
READ AND UNDERSTAND THESE INSTRUCTIONS BEFORE PROCEEDING.
RETAIN THESE INSTRUCTIONS FOR MAINTENANCE REFERENCE.

This fixture is intended for installation in accordance with the National Electrical Code and local regulations. To assure full compliance with local codes and regulations, check with your local electrical inspector before installation. To prevent electrical shock, turn off electricity at electrical panel before proceeding.

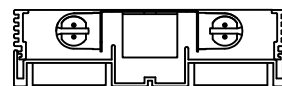
DO NOT INSTALL THIS SYSTEM IN A WET OR DAMP LOCATION.
DO NOT ENERGIZE ANYTHING OTHER THAN THE FIXTURES IN THE SYSTEM.
DO NOT OVERLOAD FEED CABLE, 10 AMP MAX FOR SJT 18-3 AND 7 AMP MAX FOR SJT 18-4 & 18-5.

THE FIXTURES IN THIS SYSTEM HAVE A POLARIZED MALE AND FEMALE PLUG AT EACH END, THESE PLUGS WILL SNAP TOGETHER SIMPLY BY PUSHING FIXTURES TOGETHER.

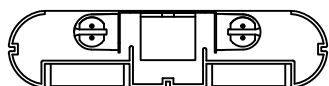
CONTRACTOR IS RESPONSIBLE FOR ADEQUATELY REINFORCING CEILING TO SUPPORT FIXTURE WEIGHT.



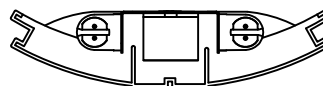
F7100



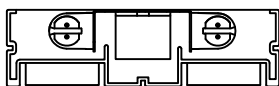
F7400



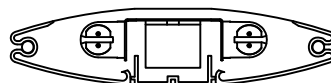
F7200



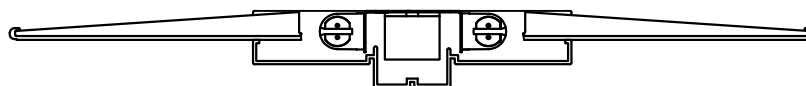
F7500



F7300



F7600



F7700

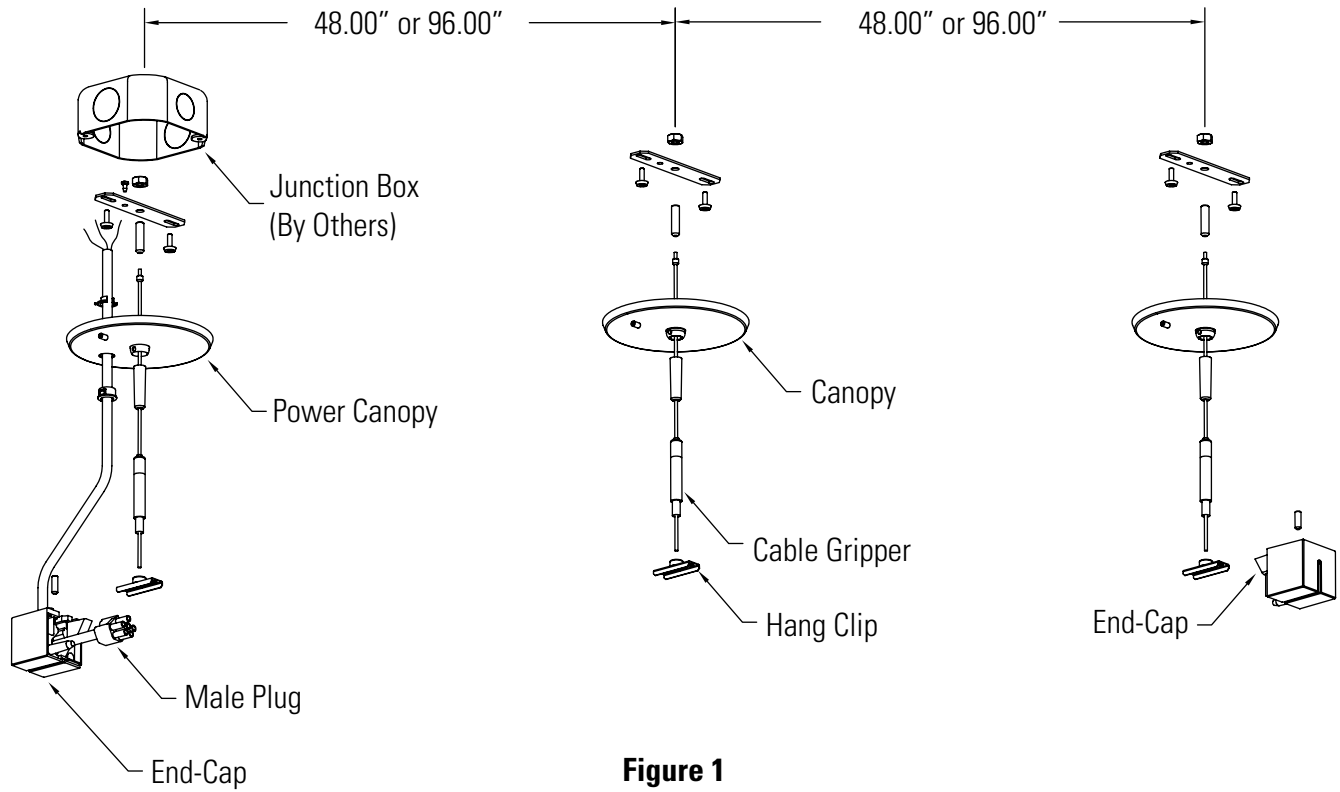


Figure 1

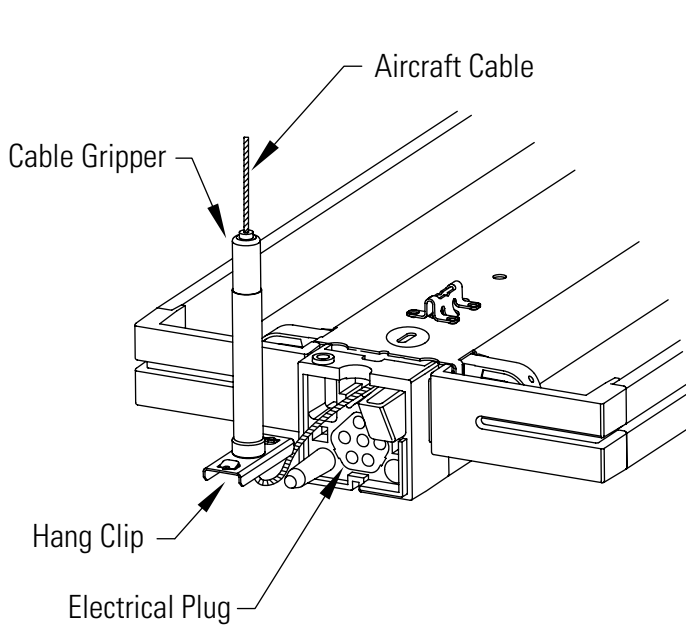


Figure 2

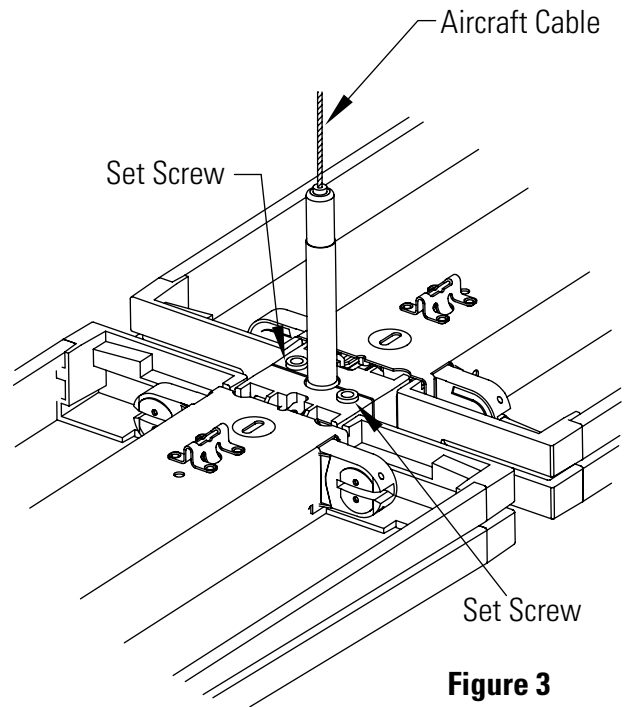


Figure 3

Step 1. Installing the Suspension

- A. Install the suspension assemblies to the junction boxes. (Fig. 1)
- B. Make sure to secure the green ground wire from SJT Cord.
- C. The first suspension in each row should be from the power feed end set, which contains a male power cord and an end cap. (Fig. 1)
- D. Install the intermediate and end suspension assemblies to the ceiling structure support at 12", 24", 48" or 96" as required by fixture length.

Step 2. Installing the First Fixture

- A. Orient fixture so female plug in fixture faces the SJT cord male plug.
- B. Insert the Hanging Clips from first and second suspension assemblies into the fixture. Make sure to push excess cable into fixture. (Fig. 2)
- C. Connect the SJT male cord plug into the first fixture female plug.
- D. Push the end cap flush with the fixture.
- E. Tighten the set screws as joint. (Fig. 3) Be sure not to over-tighten.
- F. Level fixture by pressing down on top of cable grippers and pushing or pulling on cables as required.

Step 3. Installing the Remaining Fixtures

- A. Orient the next fixture's female plug so it faces the first fixture's male plug.
- B. Insert the Hanging Clips from second and third suspension assemblies into the second fixture. Make sure to push excess cable into fixture. (Fig. 2)
- C. Push fixtures together. (Fig. 3)
- D. Tighten down each of the set screws in both fixtures. (Fig. 3) Be sure not to over-tighten.
- E. Level fixture by pressing down on top of cable grippers and pushing or pulling on cables as required.
- F. Repeat step 3 as many times as required to complete row.

Step 4. End of Row

- A. Push the end cap flush with the last fixture in row.
- B. Tighten the set screws on top. (Fig. 3) Be sure not to over-tighten.

INTERMEDIATE POWER DROP ON 2-LIGHT FIXTURES

Step 1. Fixture Modification

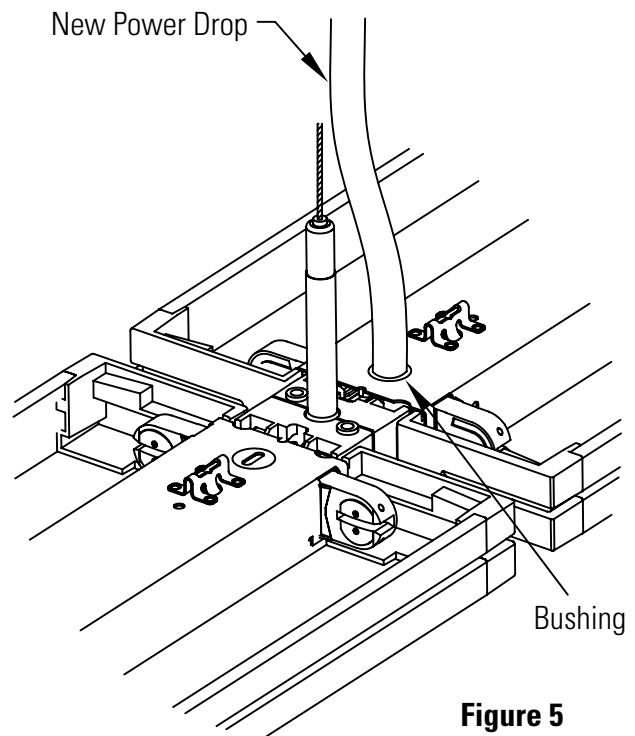
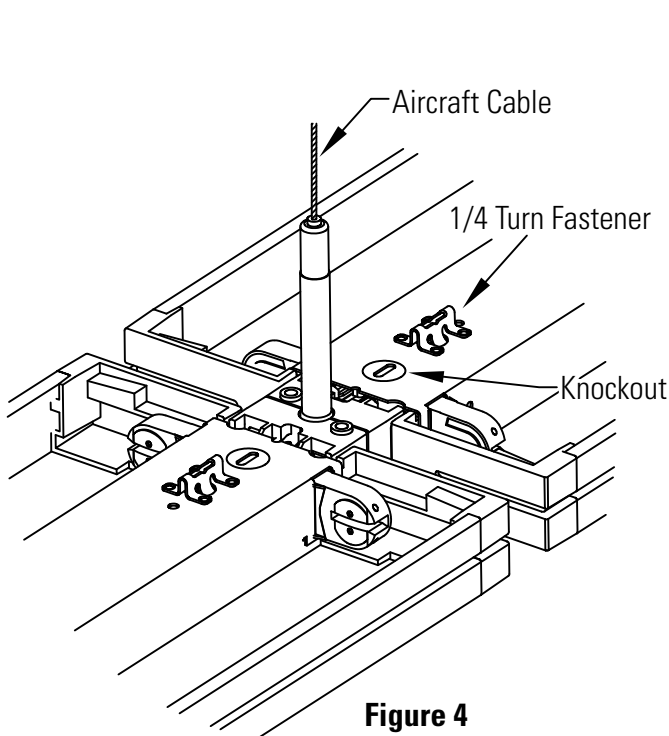
Once you have determined which fixture will be taking the in-line power drop, you need to turn 1/4 turn fasteners and lift power-tray away from fixture to expose Thru-power harness. Remove knockout on power-tray closest to where power drop is to take place and install the bushing provided with cord kit. (Fig. 4)

Step 2. Power Splicing (where this is an additional drop)

Cut thru-power harness wires approximately 3" from end of fixture where the splice is taking place and cap wires coming from previous fixture. Route new power cord through the hole in the power tray where the knockout was removed and install the strain-relief at end of the cord. Splice cord to thru-power harness making sure to match wire colors. Relocate power-tray and secure with 1/4 turn fasteners making sure not to pinch any wires. (Fig. 5)

Step 3. Power Splicing (where this is the only power drop)

Route the new power cord through the hole on the power tray where the knockout was removed and install the strain-relief at end of cord. Tap cord to thru-power harness making sure to match wire colors. Relocate power-tray and secure with 1/4 turn fasteners making sure not to pinch any wires. (Fig. 5)



INTERMEDIATE POWER DROP ON 1-LIGHT FIXTURES

Step 1. Fixture Modification

Once you have determined which fixture will be taking the in-line power drop, you need to remove the reflector and lift the power-tray away from fixture to expose the thru-power harness. Next relocate the socket on socket-bracket closest to where the power drop will take place. Fold-over tab on reflector to make room for socket. (Fig. 6)

Step 2. Power Splicing (where this is an additional drop)

Cut thru-power harness wires approximately 3" from end of fixture where splice is taking place. Cap wires coming from pervious fixture. Route new power cord through the hole on power tray where the socket was relocated and install the strain-relief at end of cord. Splice cord to thru-power harness making sure to match wire colors. Relocate power-tray into housing making sure not to pinch any wires. (Fig. 7)

Step 3. Power Splicing (where this is the only power drop)

Route the new power cord through the hole on power tray where the socket was relocated and install the strain-relief at end of the cord. Tap cord to thru-power harness making sure to match wire colors. Relocate power-tray into housing making sure not to pinch any wires. (Fig. 7)

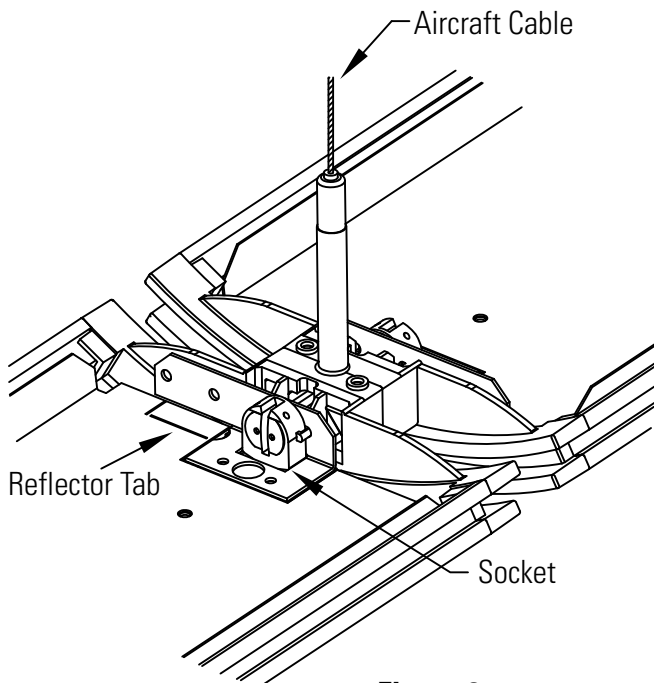


Figure 6

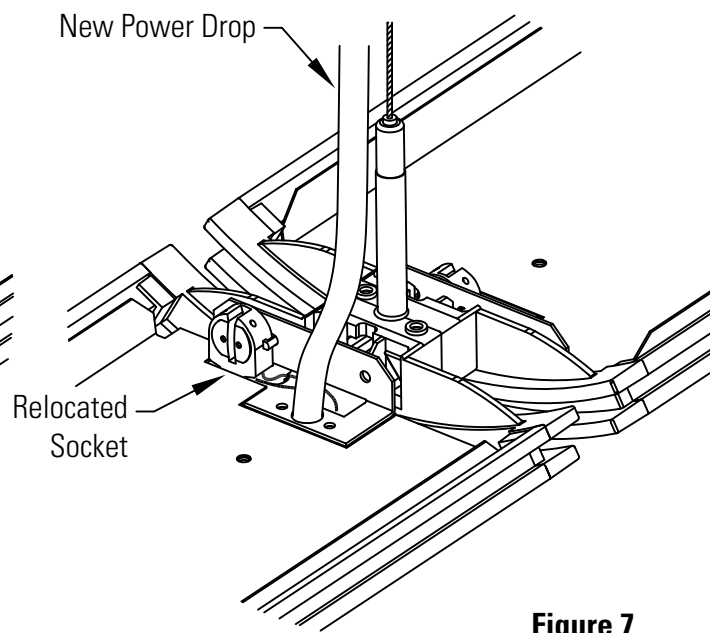


Figure 7

F7700 FIXTURE LENS INSTALLATION

Step 1. Make sure the lenses are fully engaged with the housing. (Fig. 8)

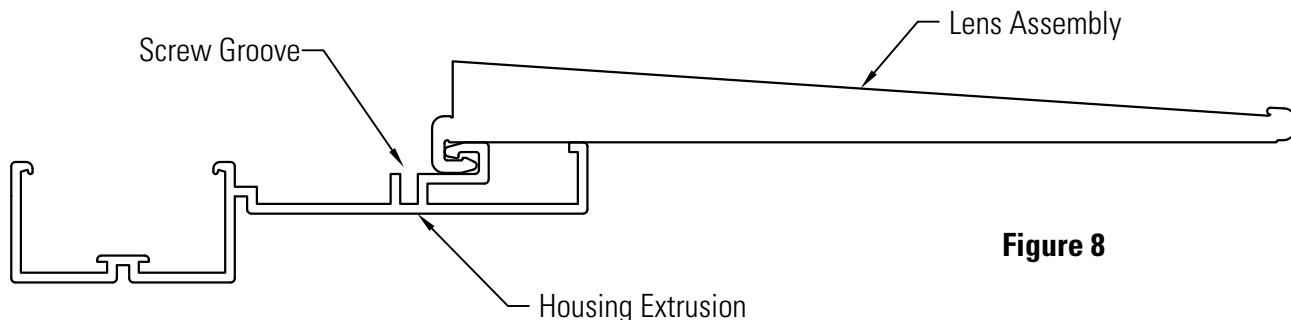


Figure 8

Step 2. Install 2 lens clips per lens. 1 right hand and 1 left hand utilizing the short screws provided. (Fig. 9)

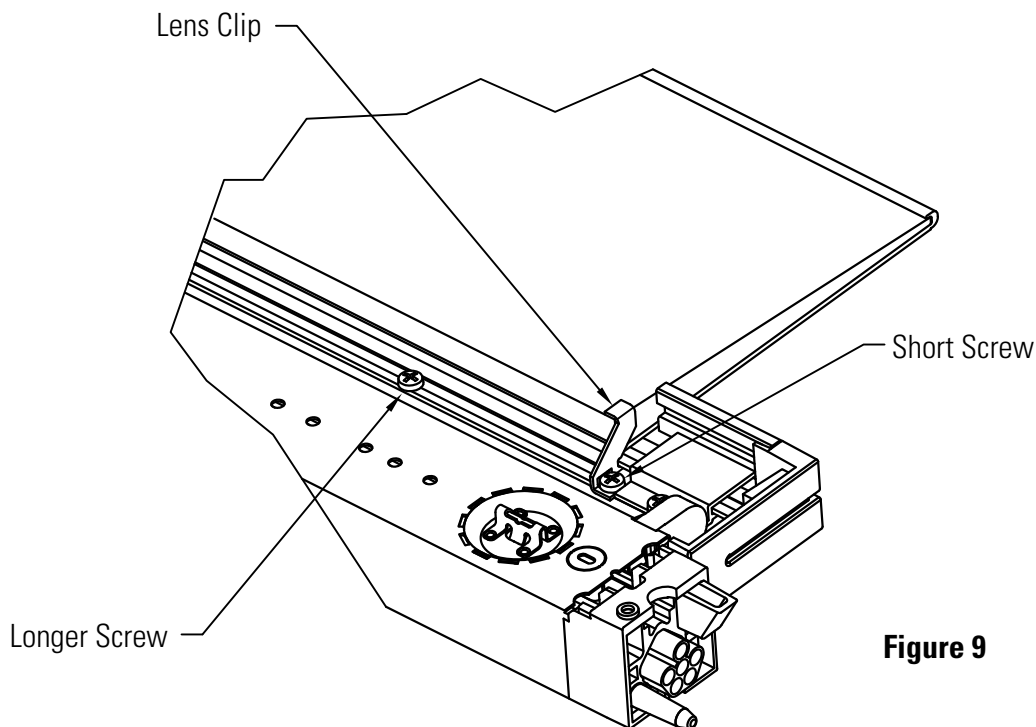


Figure 9

Step 3. Install 2 longer screws per lens along the housing screw groove approximate 6" from end of lens. (Fig. 9)

Free Manuals Download Website

<http://myh66.com>

<http://usermanuals.us>

<http://www.somanuals.com>

<http://www.4manuals.cc>

<http://www.manual-lib.com>

<http://www.404manual.com>

<http://www.luxmanual.com>

<http://aubethermostatmanual.com>

Golf course search by state

<http://golfingnear.com>

Email search by domain

<http://emailbydomain.com>

Auto manuals search

<http://auto.somanuals.com>

TV manuals search

<http://tv.somanuals.com>