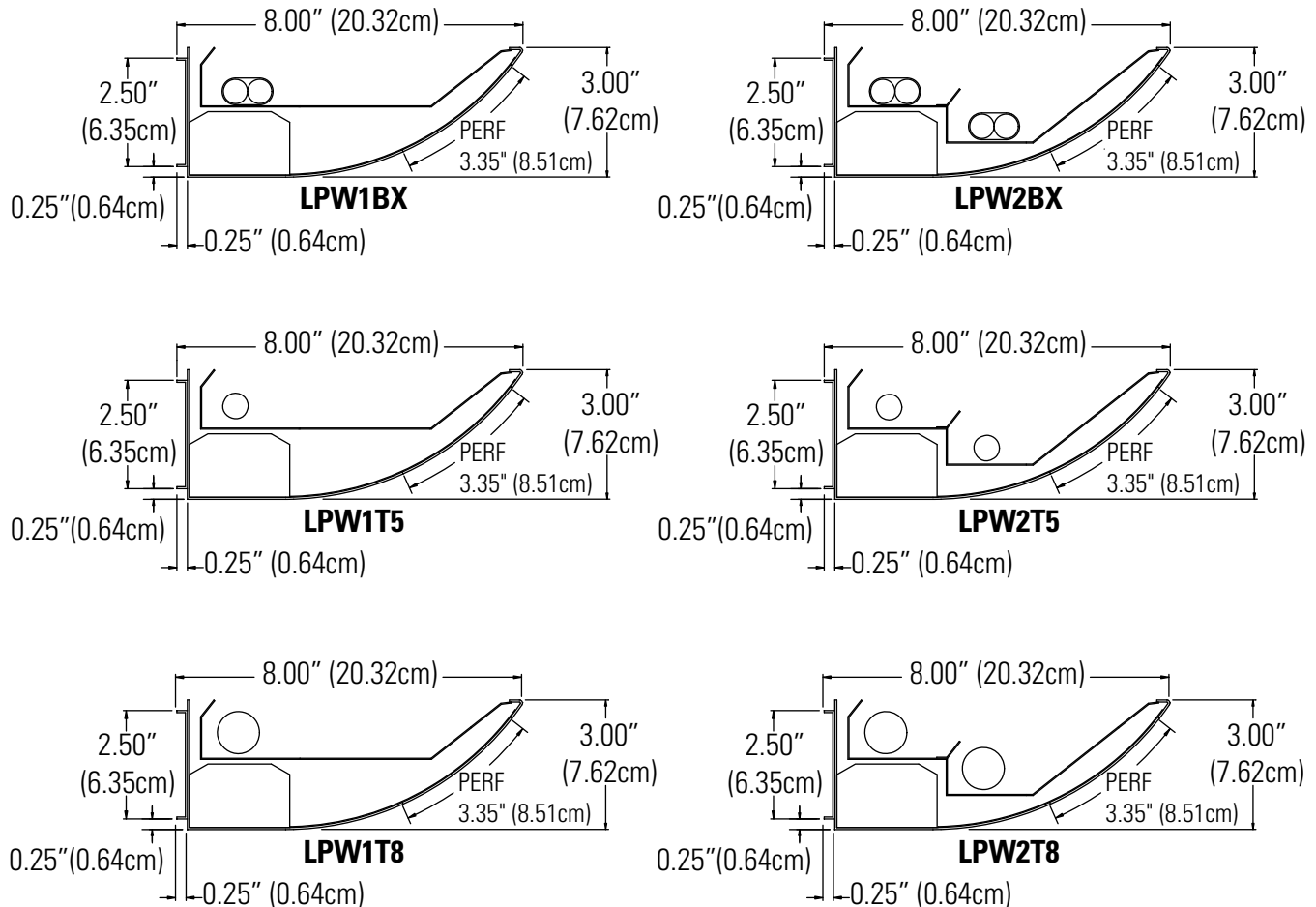


READ AND UNDERSTAND THESE INSTRUCTIONS BEFORE PROCEEDING.
RETAIN THESE INSTRUCTIONS FOR MAINTENANCE REFERENCE.

This fixture is intended for installation in accordance with the National Electrical Code and local regulations. To assure full compliance with local codes and regulations, check with your local electrical inspector before installation. To prevent electrical shock, turn off electricity at electrical panel before proceeding.

DO NOT INSTALL THIS SYSTEM IN A WET OR DAMP LOCATION.
DO NOT ENERGIZE ANYTHING OTHER THAN THE FIXTURES IN THE SYSTEM.
DO NOT EXCEED MAXIMUM WEIGHT LOADING.

CONTRACTOR IS RESPONSIBLE FOR ADEQUATELY REINFORCING WALL TO SUPPORT FIXTURE WEIGHT.



Tools Required:

- Phillips head #2 screwdriver
- Soft mallet hammer
- Pliers
- 3/32" hex head wrench

631 Airport Road, Fall River, MA 02720 • (508) 679-8131 • Fax (508) 674-4710
We reserve the right to change details of design, materials and finish.
www.lightolier.com © 2008 Philips Group • F0808

TABLE OF CONTENTS

SAMPLE PART LIST3

SAMPLE RUNS.....4

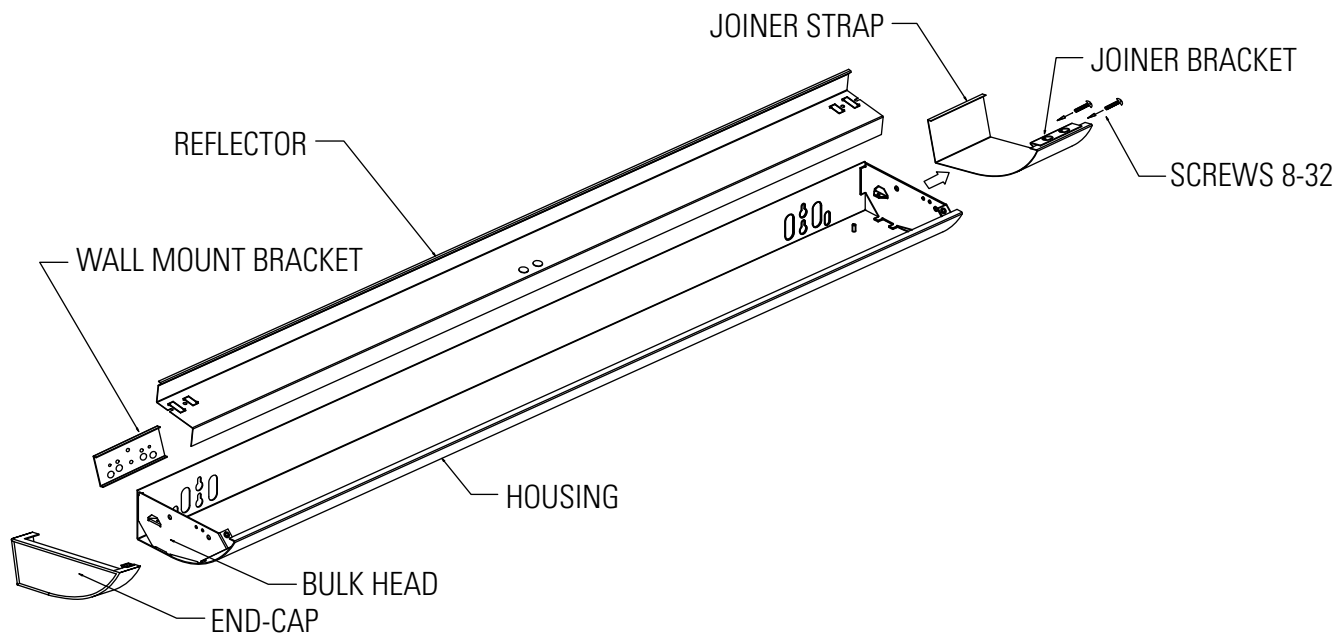
PHASE 1 - MAKING THE STARTER FIXTURE6

PHASE 2 - MAKING THE INTERMEDIATE FIXTURES.....8

PHASE 3 - END FIXTURE10

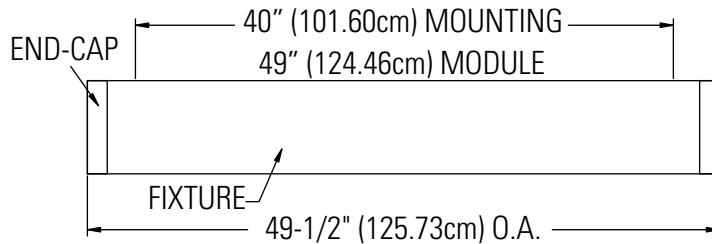
SAMPLE PART LIST

Starter Fixture from 49" (124.46cm) Module

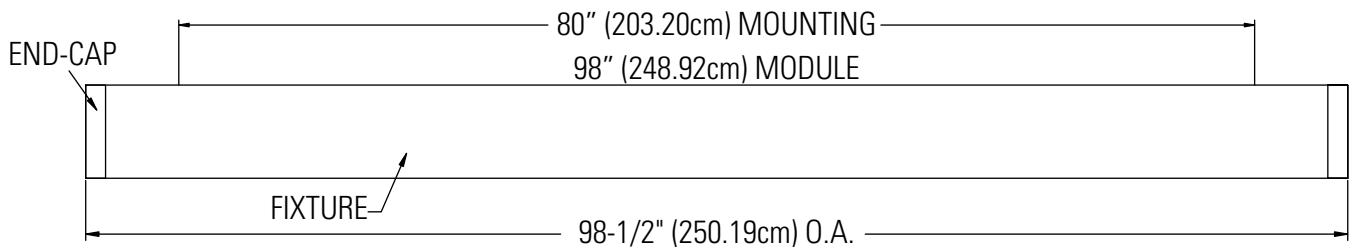


SAMPLE RUNS

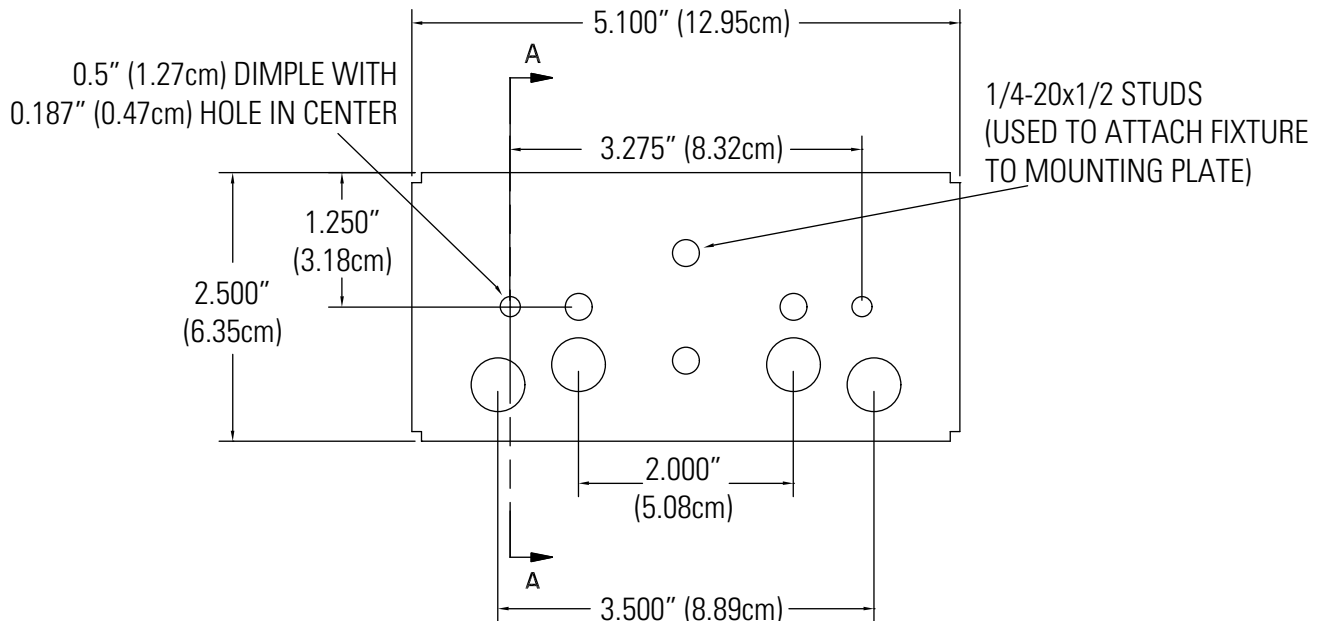
4' Individual Fixture
Type 1 (One Module in Run)



8' Individual Fixture
Type 1 (One Module in Run)



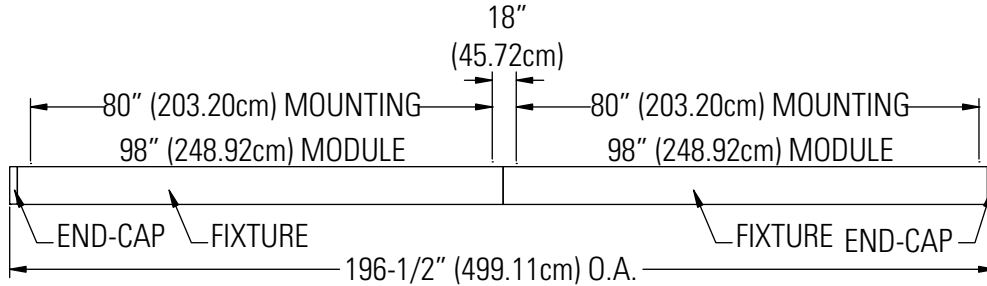
Mounting Plate Detail



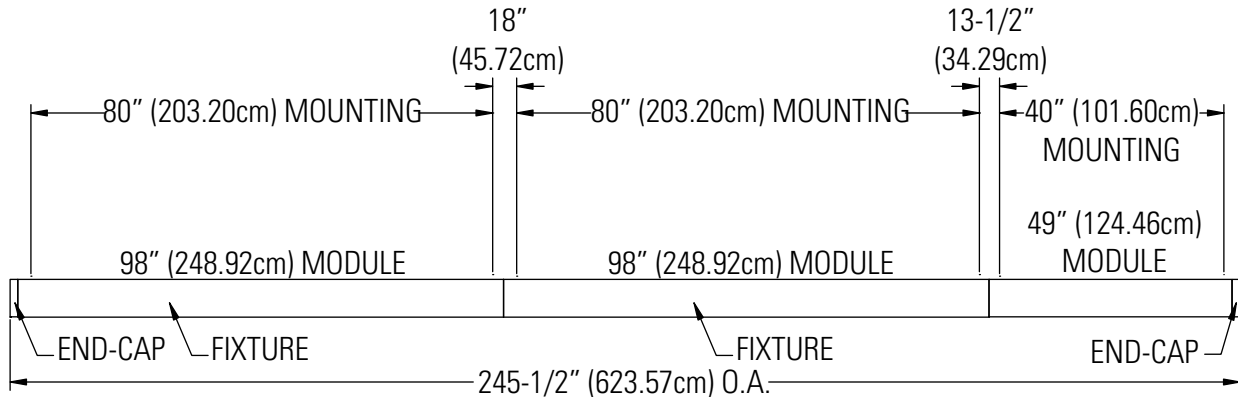
631 Airport Road, Fall River, MA 02720 • (508) 679-8131 • Fax (508) 674-4710
We reserve the right to change details of design, materials and finish.
www.lightolier.com © 2008 Philips Group • F0808

SAMPLE RUNS

16' Continuous Run of Fixtures
Type 2 (Two Modules in Run)



20' Continuous Run of Fixtures
Type 3 (Three Modules in Run)



PHASE 1 - MAKING THE STARTER FIXTURE

1. Remove REFLECTOR. (Fig. 1)

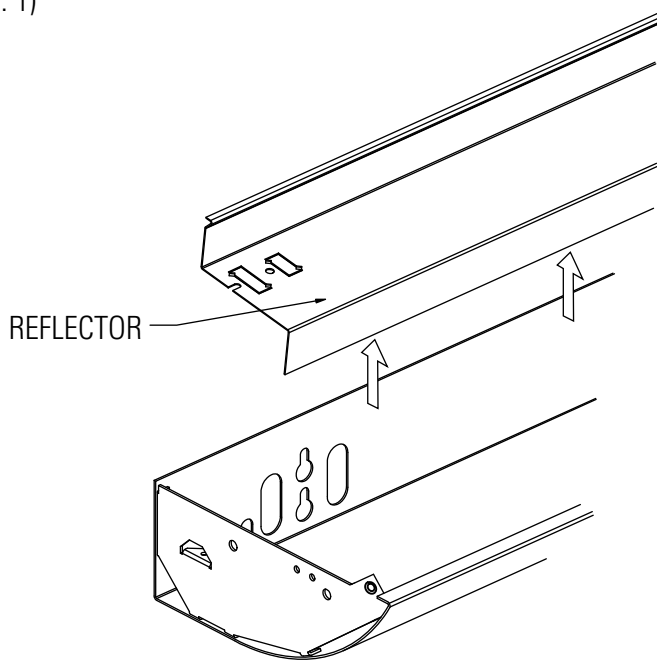


Figure 1

2. Attach WALL MOUNT BRACKETS to wall. (Fig. 2)

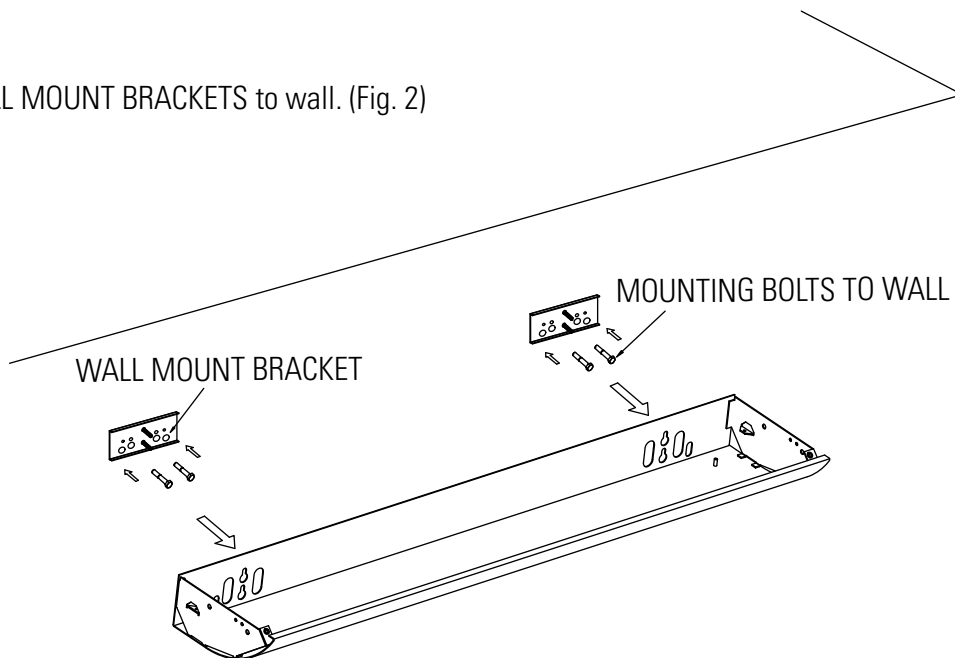


Figure 2

631 Airport Road, Fall River, MA 02720 • (508) 679-8131 • Fax (508) 674-4710
We reserve the right to change details of design, materials and finish.
www.lightolier.com © 2008 Philips Group • F0808

PHASE 1 - MAKING THE STARTER FIXTURE (CONT'D)

3. Bent BRACKET TAB upwards.
4. Attach ASSEMBLED END-CAP to first fixture called the STARTER FIXTURE.
5. Bent BRACKET TAB back to its original position. Then fasten SCREW 8-32. (Fig. 3 & Fig. 4)

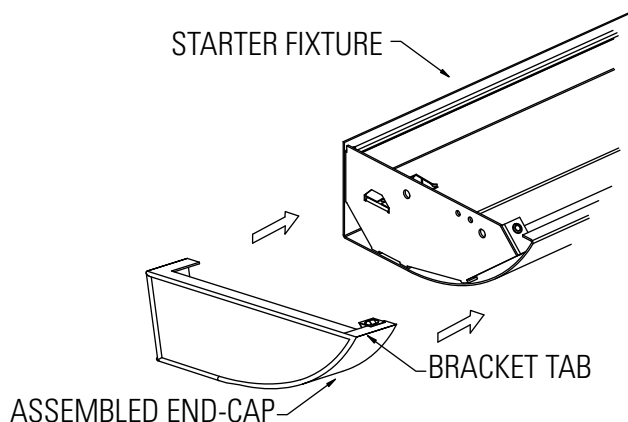


Figure 3

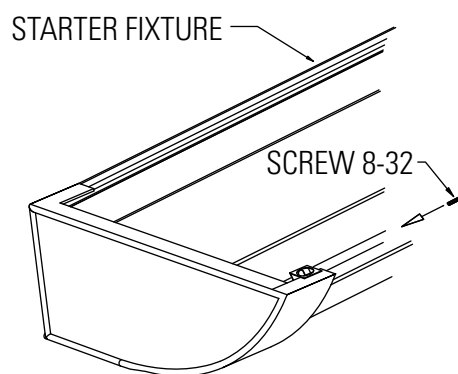


Figure 4

6. Attach fixture to WALL MOUNT BRACKETS on the wall and fasten 1/4-20 NUTS after in place.
7. Connect power from wall to STARTER FIXTURE.
8. If fixture is Individual, go to Phase 3.

PHASE 2 - MAKING THE INTERMEDIATE FIXTURES

1. Slide JOINER COVER on to each joining end of STARTER FIXTURE. (Fig. 5)

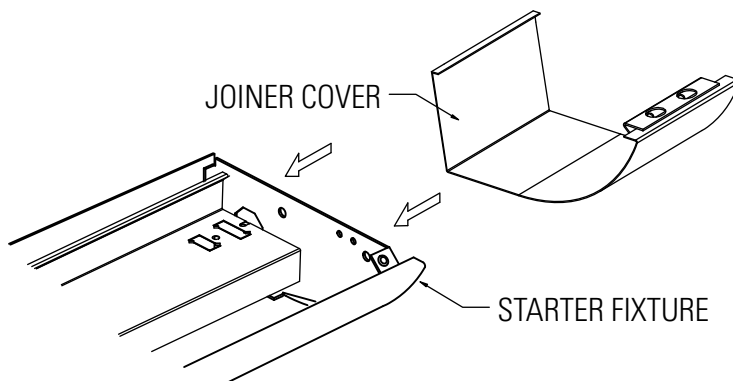


Figure 5

2. Attach MOUNTING BRACKETS to wall for next fixture. (Fig. 2)
3. Attach next fixture to WALL MOUNT BRACKETS and tighten 1/4-20 NUTS and align fixture with previous fixture.
4. Join fixtures at BULK HEAD with 2 SCREWS 10-32 and 2 HEX NUTS. (Fig. 6)

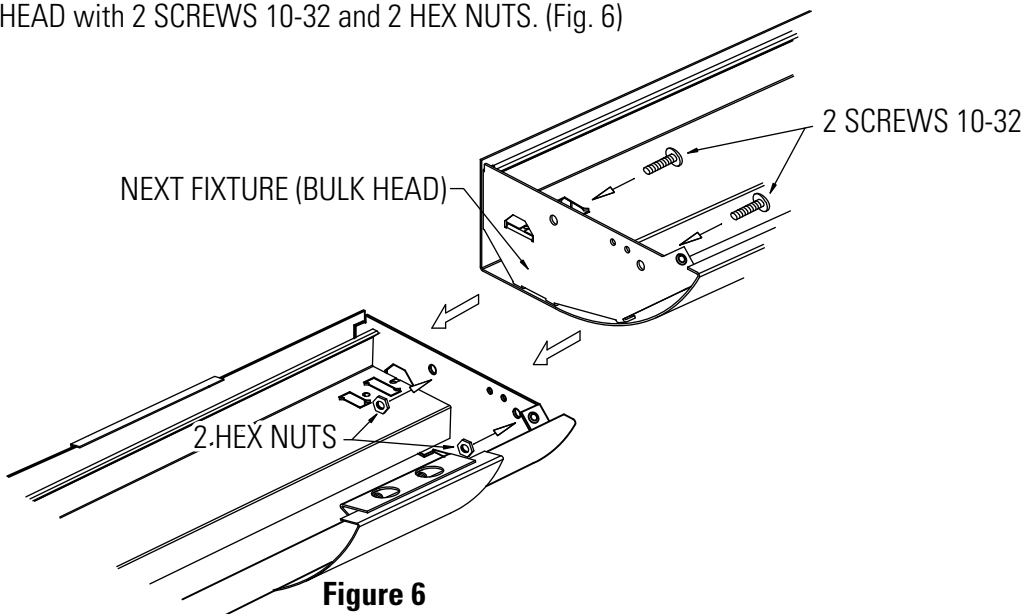


Figure 6

PHASE 2 - MAKING THE INTERMEDIATE FIXTURES (CONT'D)

5. Connect fixtures together using JOINER BRACE. (Fig. 7)

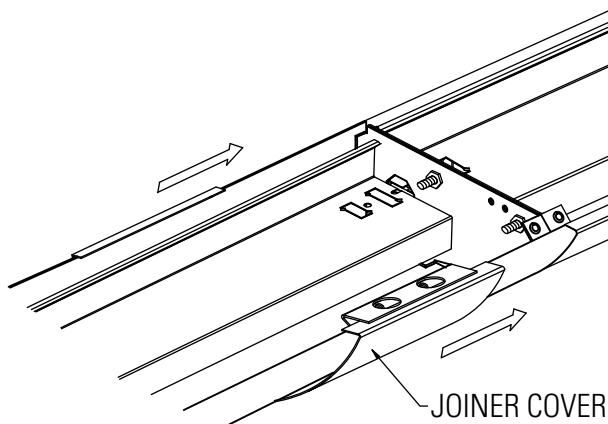


Figure 7

6. Slide JOINER COVER into place and tighten 2 screws. (Fig. 7 & Fig. 8)

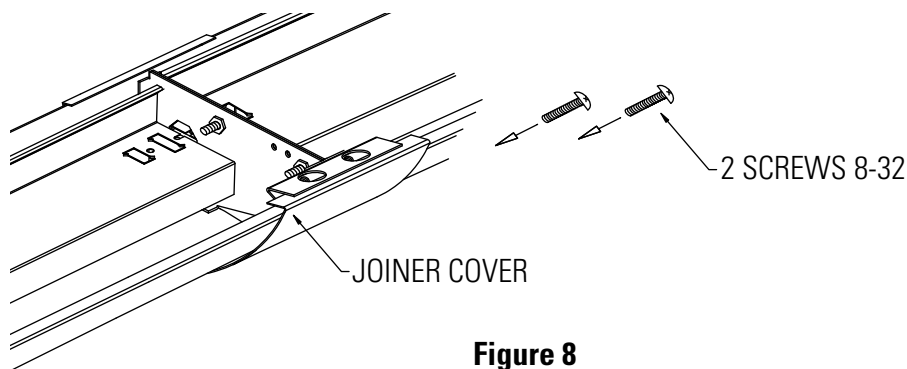
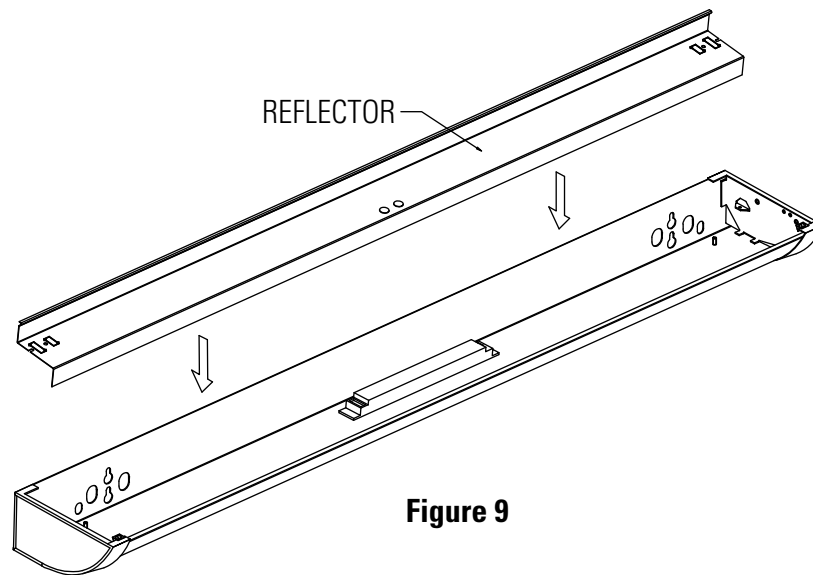


Figure 8

7. Connect Quick Disconnect Modules for through wiring.
8. Repeat Phase 2 until run is completed.

PHASE 3 - END FIXTURE

1. Push QDM back into fixture.
2. Place END-CAP on open end of fixture (Fig. 3 & Fig. 4)
3. Replace REFLECTORS. (Fig. 9)

**Figure 9**

Free Manuals Download Website

<http://myh66.com>

<http://usermanuals.us>

<http://www.somanuals.com>

<http://www.4manuals.cc>

<http://www.manual-lib.com>

<http://www.404manual.com>

<http://www.luxmanual.com>

<http://aubethermostatmanual.com>

Golf course search by state

<http://golfingnear.com>

Email search by domain

<http://emailbydomain.com>

Auto manuals search

<http://auto.somanuals.com>

TV manuals search

<http://tv.somanuals.com>