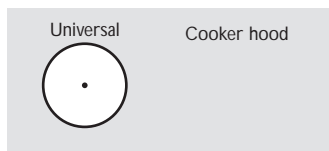
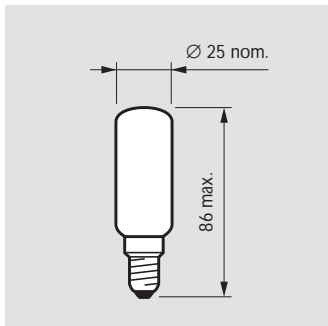




Gas-filled lamps with clear bulb specially designed for use in cooker hoods where they can replace the non-dedicated candle lamps used previously in this application. They can fit better in the area where the lamps are situated and feature an extra support to be more resistant to the vibrations created by the small motor extracting the air above the ovens. They offer reliability and long trouble-free life.

**Applications**  
- Cooker hoods

Dimensions in mm



T25L E14

Burning position



Commercial name	Type	Wattage	Voltage	Cap/ base	Finish	Lumen output	Lamp life	EOC
		W	V			lm	100% h	
40W								
PRACTITONE	T25L	40W	230-240	E14	CLEAR	420	1000	250391
PRACTITONE	T25L	40	125-130	E14	CLEAR	450	1000	-

## Free Manuals Download Website

<http://myh66.com>

<http://usermanuals.us>

<http://www.somanuals.com>

<http://www.4manuals.cc>

<http://www.manual-lib.com>

<http://www.404manual.com>

<http://www.luxmanual.com>

<http://aubethermostatmanual.com>

Golf course search by state

<http://golfingnear.com>

Email search by domain

<http://emailbydomain.com>

Auto manuals search

<http://auto.somanuals.com>

TV manuals search

<http://tv.somanuals.com>