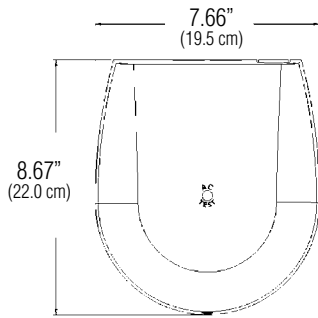
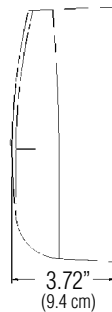


The LVL Series is an attractive emergency lighting unit designed for damp/wet locations, and vandal prone or high abuse areas. The powerful MR 16 halogen lamps are fully adjustable, and are secured by an attractive molded lampholder which conceals all lamp head wiring.

Front View



Side View



Complete Fixture consists of unit and two 5.5 watt MR 16-style halogen lamps. Select options and accessories below.

How to Specify:



SERIES

LV = LVL Series
Damp/Wet Location
Emergency Light



BATTERY

L = Lead Calcium



**HOUSING
COLOR**

W = White
B = Black



**LOCATION
LISTING**

Blank = Damp Location Listed
WL = Wet Location Listed
HR = Wet Location Listed with
Battery Heater

Features

- 1. Illumination:** Provided by two high performance 5.5 watt, 6 VDC MR 16-style halogen lamps. Lamps are held in an attractive molded swivel assembly, and are fully adjustable. When mounted on 18" centers (8" AFF) the LVL will provide an average of one footcandle along a linear path of egress. IES photometric data files are available.
- 2. Housing:** The high abuse housing, backplate and electronics shell are molded from high impact, GE Lexan® polycarbonate. White housing is standard, black is optional. All units are supplied standard with a UL damp location listing and tamperproof screw kit. Optional wet location listed products include a fully gasketed cover.
- 3. Installation:** Wet location units may be mounted to standard 3-1/2" and 4" octagonal junction boxes. Damp location units may be junction box or rigid conduit mounted.
- 4. Electronics:** 120/277 VAC dual voltage input with surge-protected, solid-state, fully automatic, voltage regulated charger. Charging system is complete with low voltage disconnect, AC lockout, brownout protection and combination indicator lamp and illuminated test switch. All circuit board components are coated with a moisture resistant protector.
- 5. Battery:** Maintenance-free, sealed lead calcium battery has an estimated service life of 5 years and supplies 90 minutes of emergency power.
- 6. Input Power Requirements:** 120 VAC - 0.05 amps; 277 VAC - 0.02 amps
- 7. Operating Temperature Range:** Damp location: 50°F (10°C) to 104°F (40°C); Wet location: 41°F (5°C) to 104°F (40°C); Wet location with heater: -4°F (-20°C) to 104°F (40°C)
- 8. Electrical Specifications:** Input power requirements at 120 VAC: 0.05 amps, 0.30 amps with heater option; Input power requirements at 277 VAC: 0.02 amps, 0.13 amps with heater option

Code Compliance

UL 924 listed, UL damp location listing, optional UL wet location listing, NFPA 101, NEC, IBC, Meets ADA specifications for wall mounted lighting fixtures.

Accessories

T15TPTOOL = Tamperproof Tool

Job Information

Type:

Job Name:

Cat. No.:

Lamp(s):

Notes:

631 Airport Road, Fall River, MA 02720 • (508) 679-8131 • Fax (508) 674-4710
We reserve the right to change details of design, materials and finish.
www.lightolier.com © 2008 Philips Group • C0308

Optical Performance*

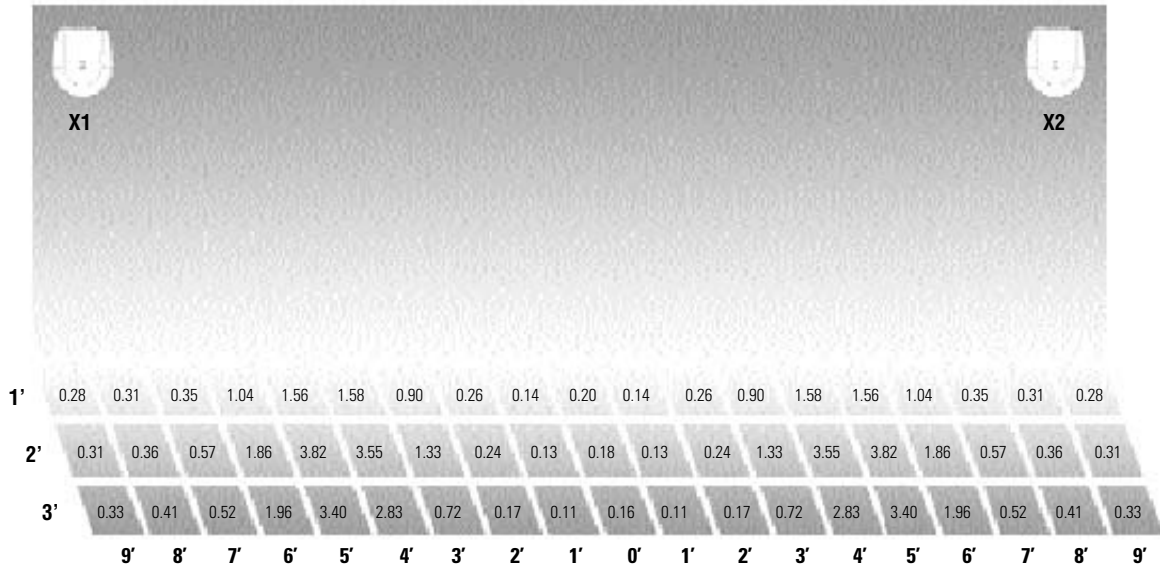


Chart represents (2) luminaires mounted on 18' centers, Mounting height 8' AFF
X1 = Luminaire Location #1
X2 = Luminaire Location #2

Average initial footcandles at floor = 1.03
 Maximum initial footcandles at floor = 3.82

Minimum initial footcandles at floor= 0.28
 Maximum to minimum ratio= 13.7:1

* The optics layout is intended to be used as a reference only. Standard reflectance, 80/50/20 were used. Lightolier is not responsible for site specific conditions that may alter the results.

Job Information **Type:**

631 Airport Road, Fall River, MA 02720 • (508) 679-8131 • Fax (508) 674-4710
 We reserve the right to change details of design, materials and finish.
 www.lightolier.com © 2008 Philips Group • C0308

Free Manuals Download Website

<http://myh66.com>

<http://usermanuals.us>

<http://www.somanuals.com>

<http://www.4manuals.cc>

<http://www.manual-lib.com>

<http://www.404manual.com>

<http://www.luxmanual.com>

<http://aubethermostatmanual.com>

Golf course search by state

<http://golfingnear.com>

Email search by domain

<http://emailbydomain.com>

Auto manuals search

<http://auto.somanuals.com>

TV manuals search

<http://tv.somanuals.com>