



Philips QL Induction
Lighting Systems

*Ideal for decorative street
lighting, bridges and tunnels,
hazardous areas, freezers and
hard-to-reach applications*

QL INDUCTION

Ultra dependable white light

Philips QL Induction Lighting System offer electrodeless technology with an amazing 100,000 hours rated average life.¹

Ultra-long life

- 100,000 hours rated average life¹ and virtually maintenance free

Crisp white light with no color shift

- 80 CRI and choice of color temperature

Operates in hot and cold environments—amalgam control

- High reliability—instant hot and cold (re)start

Low EMI—complies with FCC non-consumer limits

High lumen output

- 165W QL features 12,000 initial lumens

¹) See back page for footnote

PHILIPS
sense and simplicity

Philips QL Induction Lighting Systems: 55, 85 and 165 Watt Systems

Ordering, Electrical and Technical Data

| Product Number | Ordering Code | Watts | Pack. Qty. | Description | MOL (In.) | Rated Average Life (Hrs.) ¹ | Approx. Initial Lumens ² | Approx. Mean Lumens ³ | CRI | CCT (K) |
|----------------|---------------------|-------|------------|-----------------|-----------|----------------------------------------|-------------------------------------|----------------------------------|-----|---------|
| 13542-6 | QL 55W/GEN100-120V | 55 | 6 | Generator, 120V | 6 | 100,000 | — | — | — | — |
| 13543-4 | QL 55W/GEN200-277V | 55 | 6 | Generator, 277V | 6 | 100,000 | — | — | — | — |
| 13544-2 | QL 55W/PC | 55 | 6 | Power Coupler | 6½ | 100,000 | — | — | — | — |
| 13545-9 | QL 55W/830 | 55 | 6 | Lamp 3K | 5½ | 100,000 | 3500 | 2800 | 80 | 3000 |
| 13546-7 | QL 55W/840 | 55 | 6 | Lamp 4K | 5½ | 100,000 | 3500 | 2800 | 80 | 4000 |
| 20095-6 | QL 55W/850 | 55 | 6 | Lamp 5K | 5½ | 100,000 | 3500 | 2800 | 80 | 5000 |
| 13547-5 | QL 85W/GEN100-120V | 85 | 6 | Generator, 120V | 6 | 100,000 | — | — | — | — |
| 13548-3 | QL 85W/GEN200-277V | 85 | 6 | Generator, 277V | 6 | 100,000 | — | — | — | — |
| 13549-1 | QL 85W/PC | 85 | 6 | Power Coupler | 7½ | 100,000 | — | — | — | — |
| 13550-9 | QL 85W/830 | 85 | 6 | Lamp 3K | 7½ | 100,000 | 6000 | 4800 | 80 | 3000 |
| 13551-7 | QL 85W/840 | 85 | 6 | Lamp 4K | 7½ | 100,000 | 6000 | 4800 | 80 | 4000 |
| 20096-4 | QL 85W/850 | 85 | 6 | Lamp 5K | 7½ | 100,000 | 6000 | 4800 | 80 | 5000 |
| 14991-4 | QL 165W/GEN100-120V | 165 | 6 | Generator, 120V | 7½ | 100,000 | — | — | — | — |
| 14990-6 | QL 165W/GEN200-277V | 165 | 6 | Generator, 277V | 7½ | 100,000 | — | — | — | — |
| 36916-5 | QL 165W/PC | 165 | 6 | Power Coupler | 8½ | 100,000 | — | — | — | — |
| 36917-3 | QL 165W/830 | 165 | 6 | Lamp 3K | 8½ | 100,000 | 12,000 | 9600 | 80 | 3000 |
| 36918-1 | QL 165W/840 | 165 | 6 | Lamp 4K | 8½ | 100,000 | 12,000 | 9600 | 80 | 4000 |
| 20097-2 | QL 165W/850 | 165 | 6 | Lamp 5K | 8½ | 100,000 | 12,000 | 9600 | 80 | 5000 |

1) Rated average life is the life obtained, on the average, from large representative groups of lamps in laboratory tests under controlled conditions at 10 or more operating hours per start. It is based on survival of at least 50% of the lamps and allows for individual lamps or groups of lamps to vary considerably from the average.

2) Approximate lumen values listed are for vertical operation of the lamp.

3) Approximate lumen output at 60% of lamp rated average life.

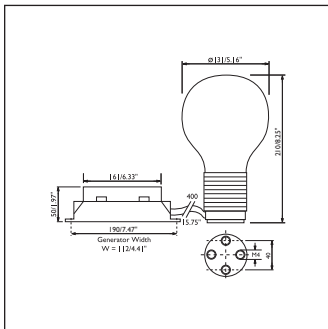
Note: QL System requires all three components to operate (order 3 product numbers).

Power Factor > .9, THD < 10%

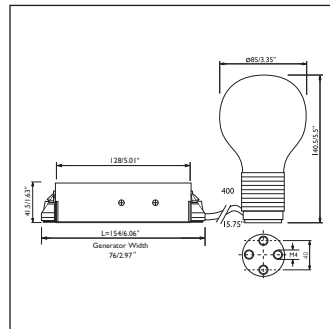
QL System Listings: UL, CSA, FCC Class A

Above specifications subject to change without notice.

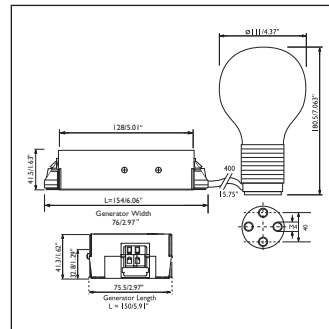
165W System



55W System



85W System



Note: The lamp system is UL, FCC and CSA approved. A booklet, *Philips induction lamp systems—Information for Original Equipment Manufacturers*, is available on request. Luminaire design and temperature parameters will be found in this booklet.



© 2008 Philips Lighting Company. All rights reserved.
Printed in USA 02/08

P-5456-J

www.philips.com

Philips Lighting Company
200 Franklin Square Drive
P.O. Box 6800
Somerset, NJ 08875-6800
1-800-555-0050

A Division of Philips Electronics North America Corporation

Philips Lighting
281 Hillmount Road
Markham, Ontario
Canada L6C 2S3
1-800-555-0050

A Division of Philips Electronics Ltd.

Free Manuals Download Website

<http://myh66.com>

<http://usermanuals.us>

<http://www.somanuals.com>

<http://www.4manuals.cc>

<http://www.manual-lib.com>

<http://www.404manual.com>

<http://www.luxmanual.com>

<http://aubethermostatmanual.com>

Golf course search by state

<http://golfingnear.com>

Email search by domain

<http://emailbydomain.com>

Auto manuals search

<http://auto.somanuals.com>

TV manuals search

<http://tv.somanuals.com>