

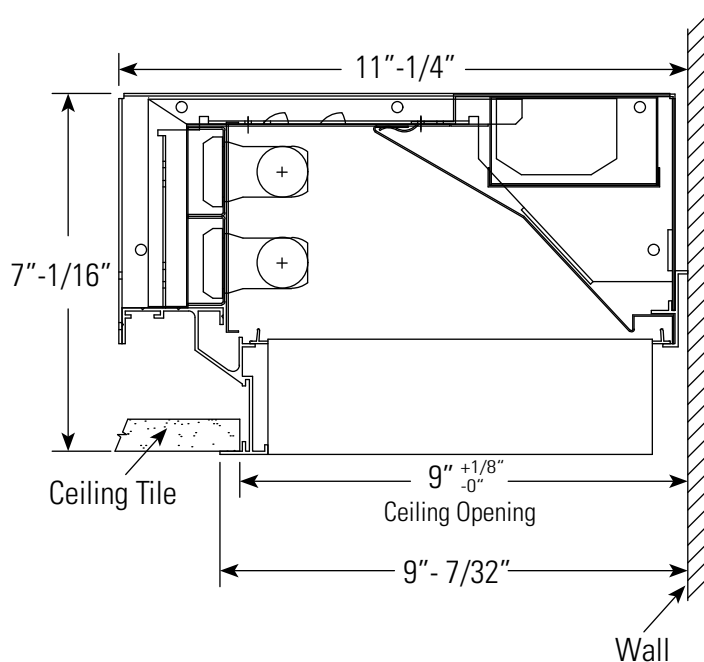
READ AND UNDERSTAND THESE INSTRUCTIONS BEFORE PROCEEDING.
RETAIN THESE INSTRUCTIONS FOR MAINTENANCE REFERENCE.

This fixture is intended for installation in accordance with the National Electrical Code and local regulations. To assure full compliance with local codes and regulations, check with your local electrical inspector before installation. To prevent electrical shock, turn off electricity at electrical panel before proceeding.

DO NOT INSTALL THIS SYSTEM IN A WET OR DAMP LOCATION.
DO NOT ENERGIZE ANYTHING OTHER THAN THE FIXTURES IN THE SYSTEM.

CONTRACTOR IS RESPONSIBLE FOR ADEQUATELY REINFORCING WALL AND CEILING TO SUPPORT FIXTURE WEIGHT.

Cross Section



SAMPLE PART LIST

Note: Cartons are Shipped with the Following Components (Fig. 1)

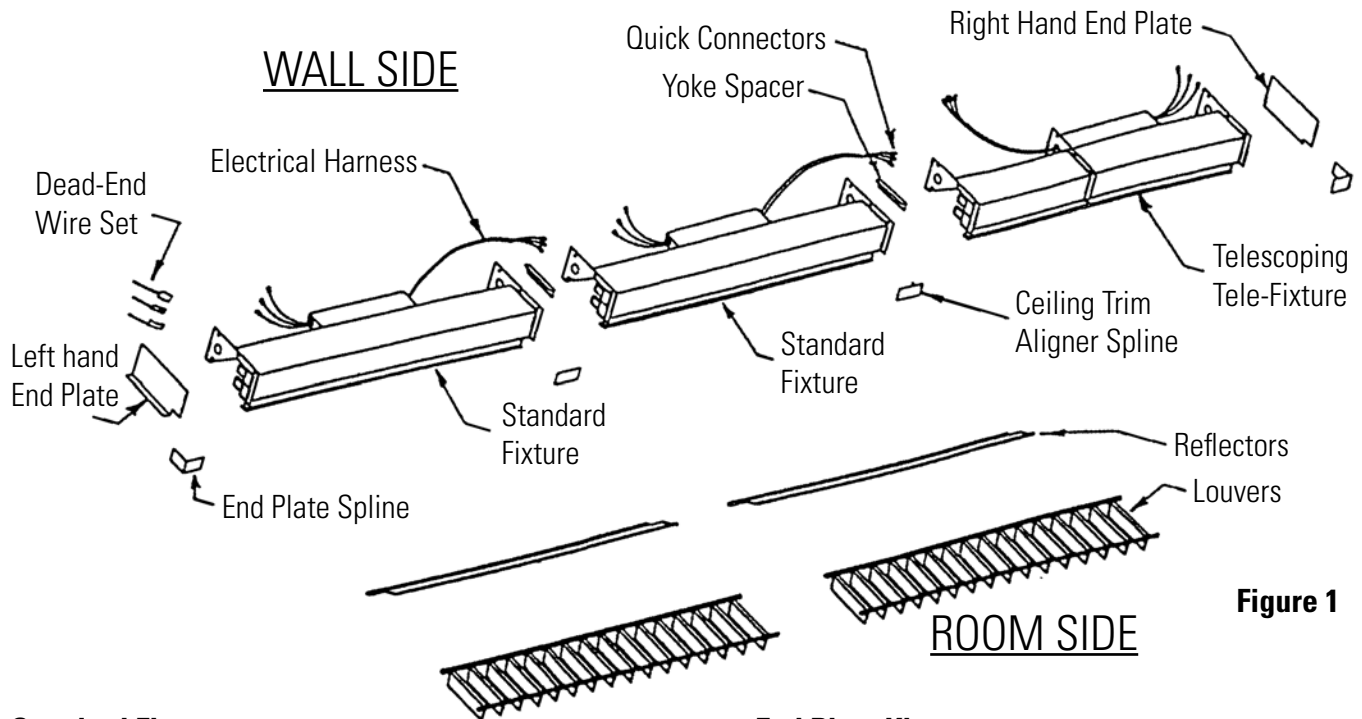


Figure 1

Standard Fixture

- Fixture
- Louver
- Reflector
- Parts Bag
 - 3 Screws
 - 3 Nuts
 - 1 Spline
 - 1 Yoke spacer

Inside/Outside Corner

- Corner
- Louver
- Reflector
- Electrical harness

End Plate Kit

- Left hand end plate
- Right hand end plate
- Dead-end wire set
- Plug Button
- Screws, Nuts, Washers
- End plate spline

Tele-Fixture

- Fixture
- Louver
- Reflector
- Parts Bag
 - 3 Screws
 - 3 Nuts
 - 1 Spline
 - 1 Yoke spacer
 - 1 Dead-end wire set
 - Hole plug
 - 1 Cutting jig

Note: Facing wall, normal sequence of hanging fixtures is from left to right. Beginning with the longest fixture first and decreasing in fixture length to the right with the tele-fixture last.

STRAIGHT RUN INSTALLATION

1. Remove all reflectors and louvers from the fixtures before installation.
2. Attach the left hand end plate to the first fixture to be installed with screws, nuts, washers and end plate spline.
3. Hang the fixture from support wires (by others) and level with ceiling line.
4. Insert flange trim aligner spline.
5. Remove nut from adjustable wall bracket.
6. Repeat step 2 with the next fixture and join yokes with screws, nuts and yoke spacer. Finger tighten only.
7. Slide flange trim aligner spline into adjacent fixture and tighten securely.
8. Repeat for the remainder of the standard fixtures.
9. Prepare tele-fixture.
10. Fasten right hand end plate as in step 2.

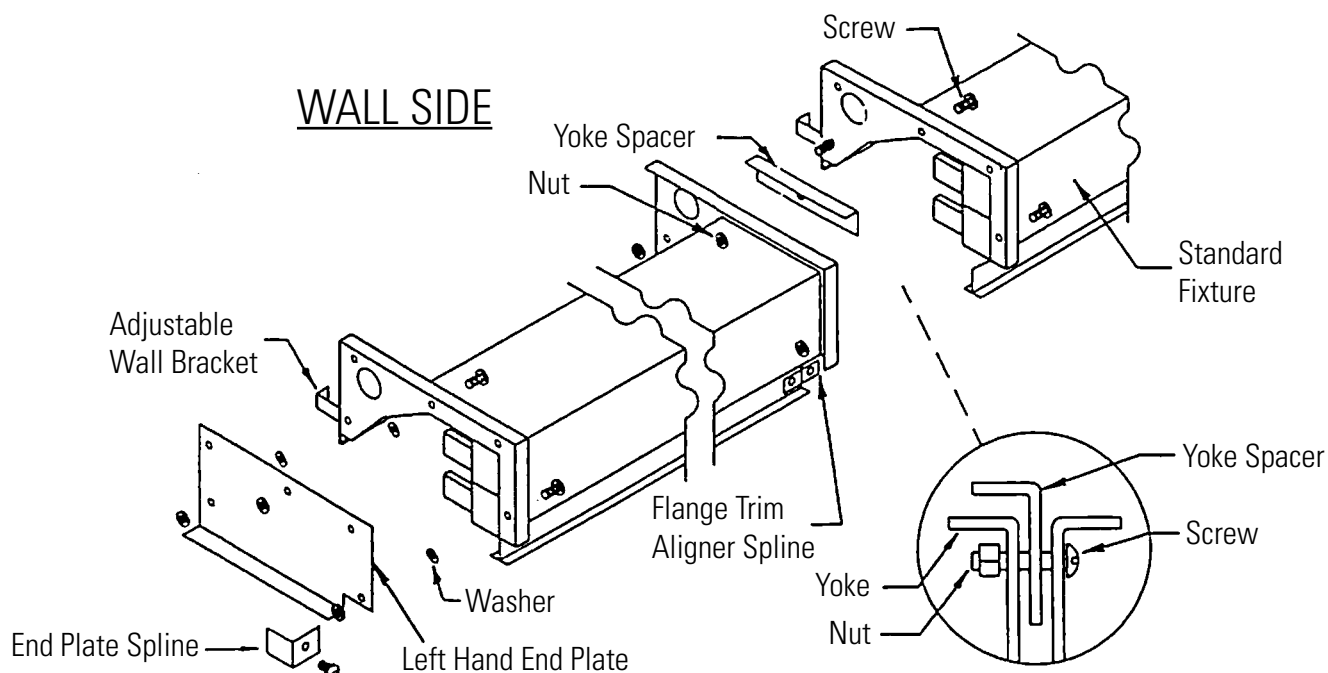


Figure 2

STRAIGHT RUN INSTALLATION (CONT'D)

11. Remove the blank channels and socket straps on the last hanging fixture before telescoping model.
12. Hang the tele-fixture with all the channels still removed or loose. The socket straps on only the 2 light tele-fixture can be replace.
13. For 1 light runs, cut the blank channels on the last hanging fixture next to the tele-fixture.
14. With the fixtures level and joined at the yoke, slide the adjustable wall bracket against the wall and secure with appropriate hardware (by others). (Fig. 4)
15. Tighten all screws joining the yokes and trims. Do not over tighten.

For Runs Ending in 3 or 4 Foot Fixtures before Telescoping Model

- A. Slide socket channel in 6" on the fixture next to the last hanging fixture.
- B. Cut the blank channel to the measured length. (Fig. 3A)
- C. Replace all channels and socket straps on the tele and last fixture.

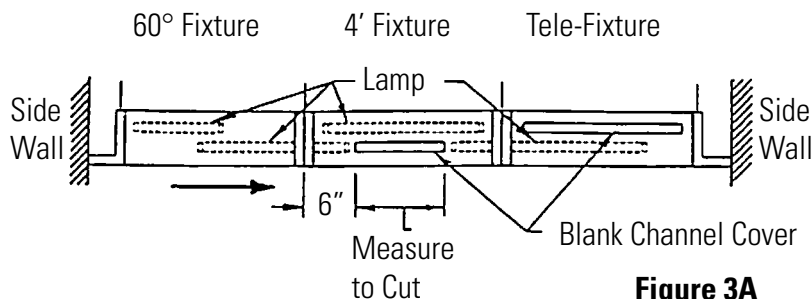


Figure 3A

Channels on tele reversed (Locking thru fixture towards wall)

For Runs NOT Ending in 3 or 4 Foot Fixtures before Telescoping Model

- A. Cut blank channel to measured length. (Fig. 3B)
- B. Replace all channels and socket straps on the tele and last fixture.

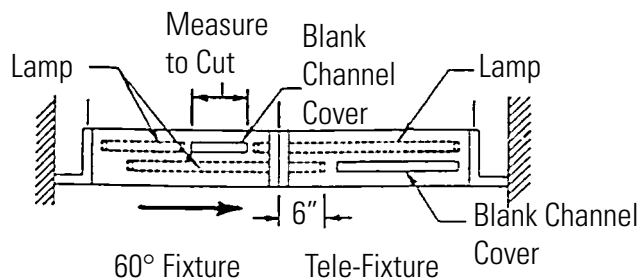
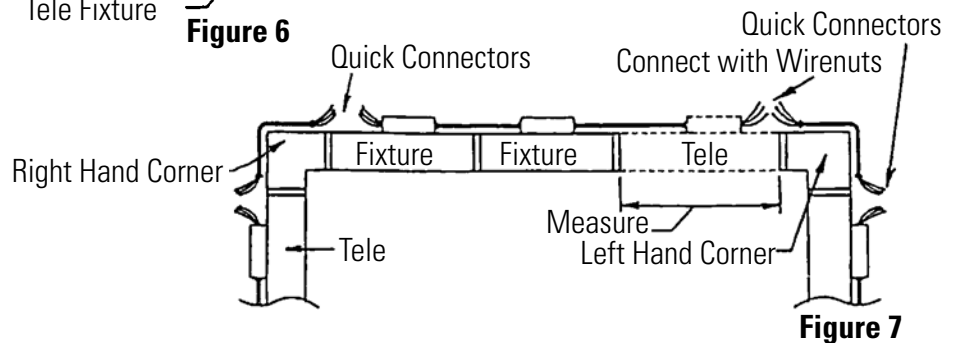
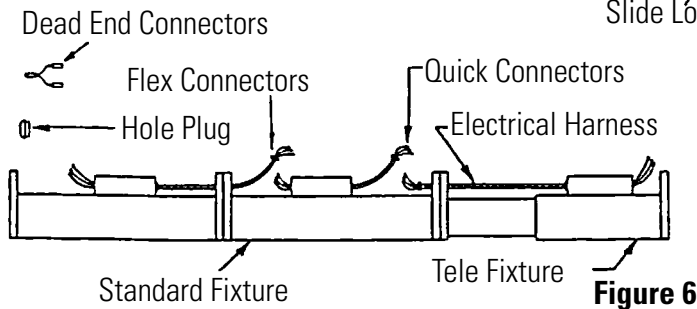
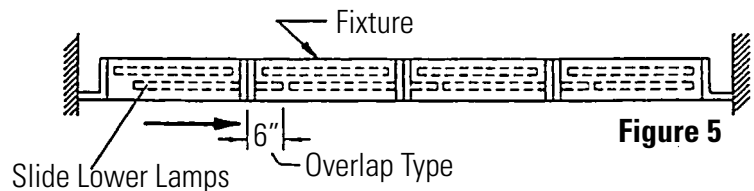
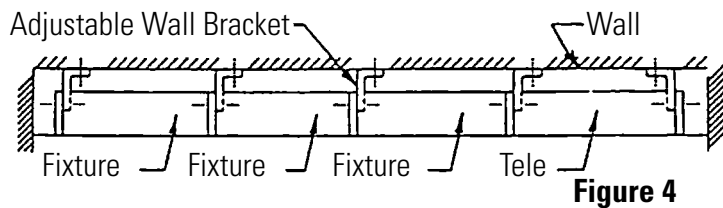


Figure 3B

Channels on tele NOT reversed (Locking thru fixture towards wall)

STRAIGHT RUN INSTALLATION (CONT'D)

16. Stagger socket channels from right to left looking into fixture. For 1 light see Fig. 3B. For 2 light see Fig. 5.
17. Connect all fixtures with quick connectors and snap flex connector into ballast box. (Fig. 6 & Fig. 7) For tele-fixture connection, remove electrical harness from standard fixture. Leave enough wire to connect to the harness of the tele-fixture and connect into the ballast box of the standard fixture. Power can be brought into the run through any ballast box.
18. Install the reflectors by starting from the left and continuing to the right until the last reflector is installed. The last reflector may need to be cut.
19. Install the lamps (by others) and then the louvers the same way the reflectors were installed. The last louver may need to be cut.



TELE-FIXTURE PREPARATION - ONE LIGHT RUN

(Note: The over all length of the tele-fixture plus the right hand end plate must match the distance between the last hanging fixture and the wall.)

1. Measure the distance from the wall to the last hanging fixture. (Fig. 10)
2. Remove the wall and ceiling trim from the fixture and cut them to the measured length using the cutting jig. (Fig. 11 & Fig. 12) The socket channel straps must be removed before the trim. (Fig. 13)
 (Note: To stagger the lamps, the blank channel on both the tele-fixture and the fixture before the tele-fixture may have to be measured to cut as shown in Fig. 3A and Fig. 3B on page 4)

(Note: When the tele-fixture follows a 3 foot or 4 foot fixtures, the socket channel and the blank channel must be reversed.)

For 1 Light 36" Tele-Fixture

- A. Remove the socket channel straps (Fig. 13) and remove the channels from the housing.
- B. Squeeze and remove the split bushing and slide the socket wires to the bottom hole. (Fig. 8)
 Replace the bushing into new location.
- C. Cut blank channel to the same length as the wall and ceiling trim.

For 1 Light 48" Tele-Fixture

- A. Cut the blank channel 6" less than the length of the wall and ceiling trim.
- B. Go to page 7, step 7.

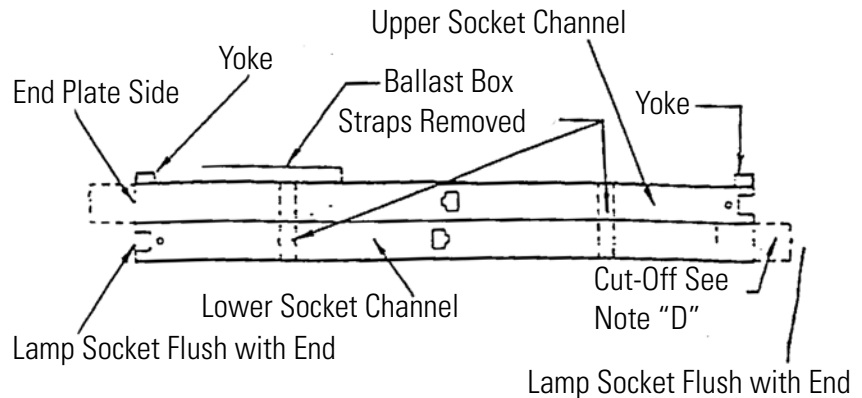


Figure 8

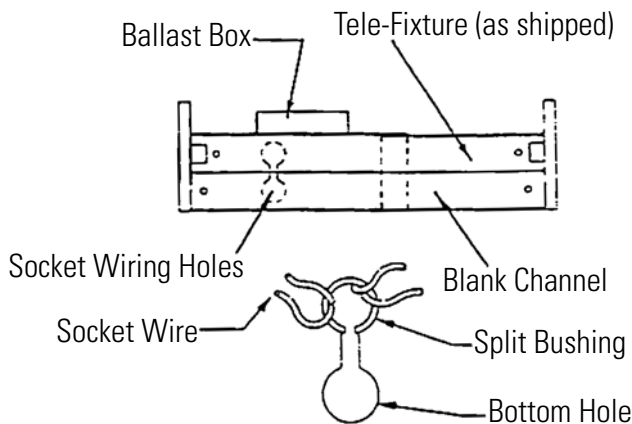


Figure 9

TELE-FIXTURE PREPARATION - TWO LIGHT RUN

(Note: The over all length of the tele-fixture plus the right hand end plate must match the distance between the last hanging fixture and the wall.)

1. Measure the distance from the wall to the last hanging fixture. (Fig. 10)
2. Remove the wall and ceiling trim from the fixture and cut them to the measured length using the cutting jig. (Fig. 11 & Fig. 12) The socket channel straps must be removed before the trim. (Fig. 13)
3. Slide the tele-fixture together 1/32" smaller than the cut wall and ceiling trim.
4. Push the lamp sockets flush with the end of the fixture.
5. Cut off the exposed excess from the upper socket channel.
6. To stagger the lamps, push in the lower socket channel 6" and cut of the excess.
7. Replace the wall and ceiling trim by drilling any 9/64" diameter holes that were cut off and reinstalling the #8-32 screws.

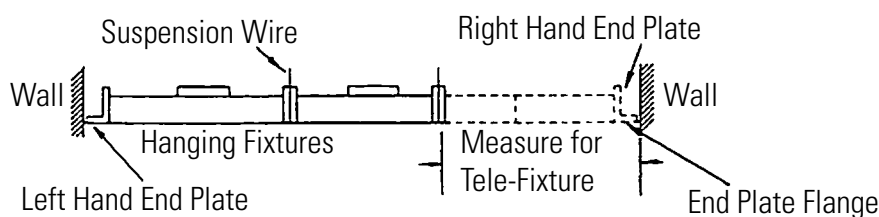


Figure 10

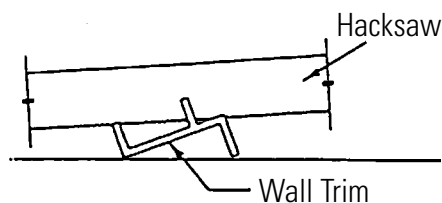


Figure 11

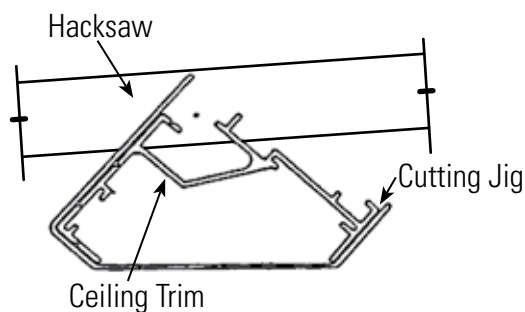


Figure 12

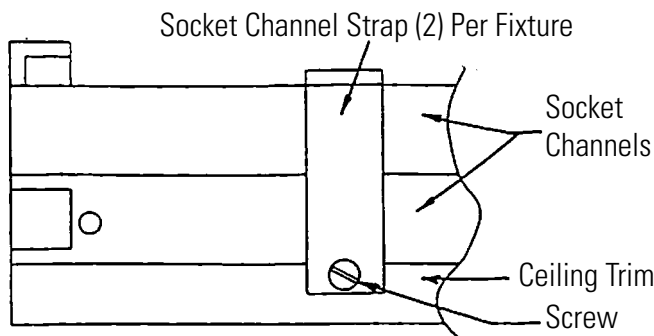
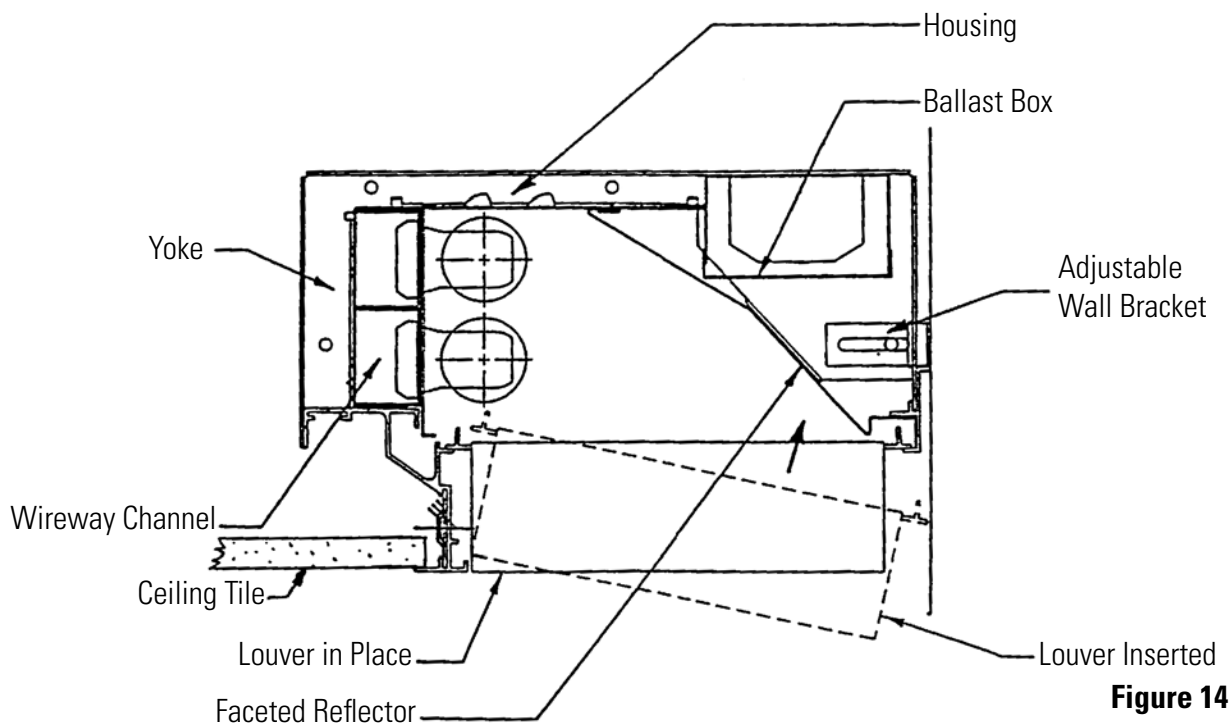


Figure 13

PATTERN RUN INSTALLATION

Note: Read straight run installation instructions before installing pattern run.

1. Install all corners first.
2. Install all standard fixtures.
3. Install tele-fixtures.
4. Make electrical connections typical to straight run.
5. Starting from left to right facing the wall, install the reflectors.
6. Install the lamps.
7. Install the louvers (Fig. 14)



Note: Do not fasten fixtures to the wall with the adjustable mounting brackets until all fixtures, corners and tele-fixtures are installed.

RELAMPING PROCEDURE

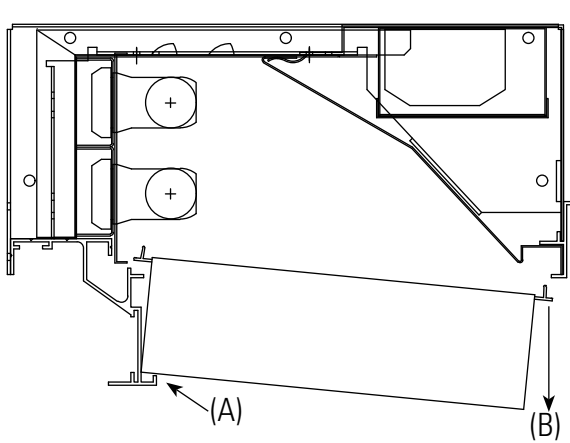


Figure 15

Step 1. Louver Removal

To remove louver push louver up and slide toward room side (A). Louver will disengage on wall side (B) and expose inner fixture for relamping

Step 2. Relamping

Replace lamp by rotating lamp until pins of lamp disengage from sockets. Then slide toward wall to install new lamp, align lamp pins with socket, push toward room side, rotate until resistance is felt by socket springs.

Step 3. Louver Installation

Lift louver up and into fixture at room side with bottom of louver above trim flange. Swing opposite side of louver up until it hits reflector then slide toward wall and let louver drop down.

Step 4. Test - LOUVER MUST BE LEVELED

To test louver, slide louver toward wall side then slide it back towards room side. In either case louver should not fall out. Make sure that louver rail is resting completely flat as in Figure 17, not Figure 18. Louver Rails should not overlap on another.

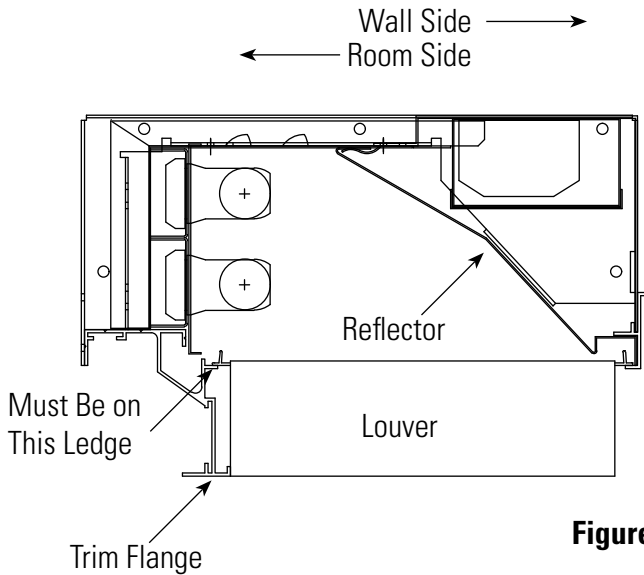


Figure 16

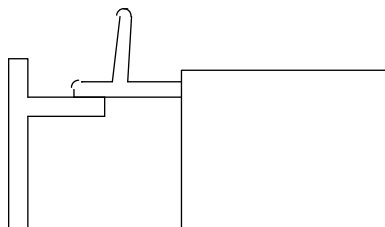


Figure 17

Yes

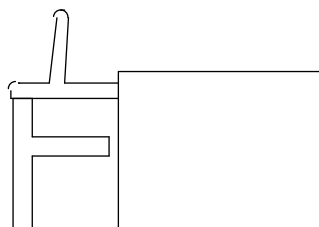


Figure 18

No

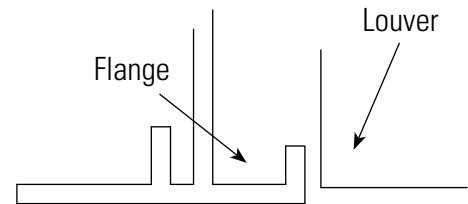


Figure 19

Free Manuals Download Website

<http://myh66.com>

<http://usermanuals.us>

<http://www.somanuals.com>

<http://www.4manuals.cc>

<http://www.manual-lib.com>

<http://www.404manual.com>

<http://www.luxmanual.com>

<http://aubethermostatmanual.com>

Golf course search by state

<http://golfingnear.com>

Email search by domain

<http://emailbydomain.com>

Auto manuals search

<http://auto.somanuals.com>

TV manuals search

<http://tv.somanuals.com>