

Twist line

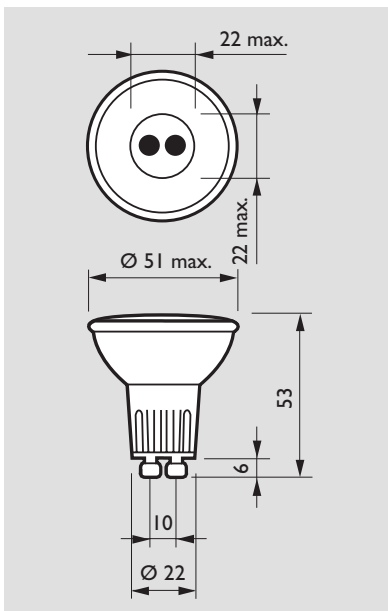
REFLECTOR



GZ10 base



GU10 base



Dimensions in mm

definition

Mains voltage halogen reflector lamp with a quartz burner optically positioned in a hard-coated dichroic full-glass reflector and with a curved, clear front glass with a GZ10 lamp base. There is also an aluminium coated version available with a GU10 lamp base, which directs most of its heat to the front.

With their distinct MR 16 look, the cool-beam and aluminium TWISTline are the most compact lamps of their kind available. Because the lamp can be connected directly to the mains supply, the use of bulky and costly transformers is not necessary and offers benefits for both consumers as well as luminaire manufacturers.

The special quartz burner design with Lambda-shape filament ensures a high light output and stable lifetime.

TWISTline's high performance reflector with hard dichroic coating provides a defined, homogeneous beam and gives a beautiful appearance in open luminaire constructions with sparkling effects and a controlled spill light at the back. The cool-beam and aluminium coatings provide a constant light quality over lifetime. Both the coatings remain bright and shining.

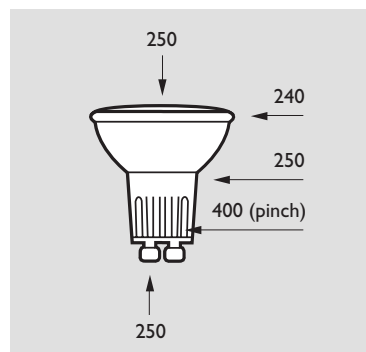
The TWISTline conforms with IEC 598 for use in open luminaires. An additional front glass or UV-filter is not required, because the lamp is UV-Block. Built-in double fuses offer additional safety at end of life. The front glass also provides protection against touching the burner and dust/moisture.

TWISTline's special GU10 and GZ10 base ensures good retention in the luminaire and easy insertion and replacement (twist and take out). An instruction on the luminaire is required as to which lamp should be used (cool beam and/or aluminium).

applications

Accent and general lighting in:

- homes • hotels • bars • restaurants



Max. permissible temperatures in degrees

halogen



PHILIPS

Twist line

REFLECTOR

technical and lighting data

Type	Voltage V	Wattage W	Beam angle degs.	Cap/ base	Max. luminous intensity cd	Correlated colour temperature K	Lamp life 50% h	Ilcos code	Ordering number	EOC
Dichroic / Cool-beam										
14563	230	50	25	GZ10	1250	2900	2000	HRGI-50-230-GZ10/50 25	9247 808 44200	411761
14564	230	50	50	GZ10	600	2900	2000	HRGI-50-230-GZ10/50 50	9247 809 44200	411778
14561	240	50	25	GZ10	1250	2900	2000	HRGI-50-240-GZ10/50 25	9247 800 45500	411785
14562	240	50	50	GZ10	600	2900	2000	HRGI-50-240-GZ10/50 50	9247 801 45500	411792
Aluminium										
14602	230	50	25	GU10	1250	2800	2000	HARI-50-230-GU10/50 25	9247 806 44200	412508
14603	230	50	50	GU10	600	2800	2000	HARI-50-230-GU10/50 50	9247 807 44200	412584
14604	240	50	25	GU10	1250	2800	2000	HARI-50-240-GU10/50 25	9247 806 45500	412539
14605	240	50	50	GU10	600	2800	2000	HARI-50-240-GU10/50 50	9247 807 45500	412614

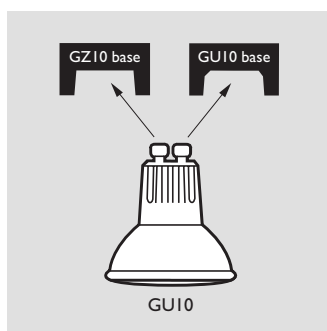
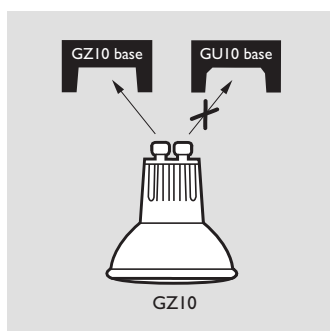
notes

- All types designed for 230V (240V) supply. Lamp characteristics given are for 230V (240V) supply.
- Numerical technical data given are average values and do not refer to single lamps.
- Manufacturer reserves the right to change specifications without prior notice.

packing data

Qty	Gross weight kg	Dimensions individual box l x w x h (mm)	Volume m ³
50	2.57	46x46x60	0.009

Industrial pack and blister on request.



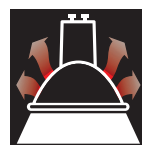
230, 240V
50W/GU10, GZ10
Ø 50mm – 25°

m	Lux	Ø mm
1	1250	450
2	313	890
3	139	1330
4	78	1770

230, 240V
50W/GU10, GZ10
Ø 50mm – 50°

m	Lux	Ø mm
1	600	900
2	150	1780
3	67	2660
4	38	3540

Dichroic
Cool-beam



Aluminium



For use in
open luminaire



PHILIPS

Free Manuals Download Website

<http://myh66.com>

<http://usermanuals.us>

<http://www.somanuals.com>

<http://www.4manuals.cc>

<http://www.manual-lib.com>

<http://www.404manual.com>

<http://www.luxmanual.com>

<http://aubethermostatmanual.com>

Golf course search by state

<http://golfingnear.com>

Email search by domain

<http://emailbydomain.com>

Auto manuals search

<http://auto.somanuals.com>

TV manuals search

<http://tv.somanuals.com>