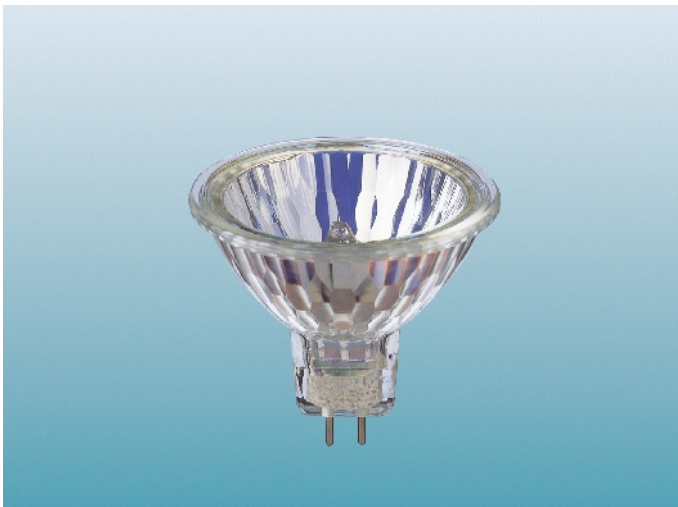


# Halogen lamps

# Low-voltage dichroic reflector ACCENTline



### Definition

Halogen reflector lamps consisting of an extra-low-voltage halogen burner optically positioned in a glass reflector, which has a special heat-transmitting and light-reflecting dichroic coating. The dichroic reflector coating transmits the infra-red radiation (heat) backwards through the glass and reflects the visible radiation (light) forward, thus resulting in a 'cool beam'. The ELV burner, with axial filament, operates at low pressure ( $\leq 2.5$  bar) and is UV Block. According IEC 598, these lamps can be used in luminaires without front glass.

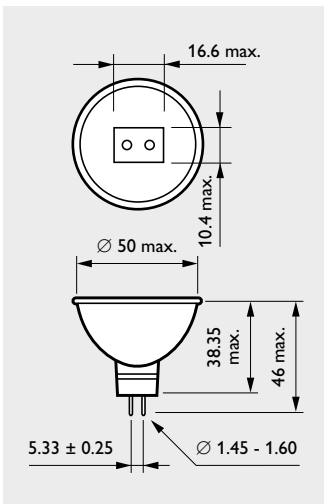
### Applications

Dichroic reflector lamps are ideally suitable for accent -, task- and decorative lighting in homes, shops and hotels/restaurants.

### Features

The most important features of this lamp are:

- "cool beam" dichroic coated reflector
- with front glass
- average lamp life of 3000 hrs
- colour temperature 3000°K
- excellent colour rendering ( $R_a = 100$ )
- universal burning position
- dimmable.



Dimensions in mm

### Maximum permissible temperatures

Reflector	250°C
Reflector rim	240°C
Pinch	350°C
Contacts	300°C

### Packing data

Single box packaging			
Packing configuration	Weight	Dimensions	Volume
	kg	cm	m <sup>3</sup>
50 x 1	1.85	30.3 x 24.7 x 10.6	0.008

Type	ANSI	Wattage	Voltage	Half-intensity Beam angle degs	Luminuous intensity cd	Base	Average life h	Ilcos code	Ordering number	EOC
		W	V							
14595	ESX	20	12	+/- 10	3400	GU 5.3	3000	HRGI-20-12-GU5.3-50/10	9240 475 17100	412089
14597	FRB	35	12	+/- 10	6000	GU 5.3	3000	HRGI-35-12-GU5.3-50/10	9240 477 17100	412119
14599	EXT	50	12	+/- 10	8800	GU 5.3	3000	HRGI-50-12-GU5.3-50/10	9240 479 17100	412140
14596	BAB	20	12	+/- 36	550	GU 5.3	3000	HRGI-20-12-GU5.3-50/36	9240 476 17100	412171
14598	FMW	35	12	+/- 36	1000	GU 5.3	3000	HRGI-35-12-GU5.3-50/36	9240 478 17100	412201
14600	EXN	50	12	+/- 36	1600	GU 5.3	3000	HRGI-50-12-GU5.3-50/36	9240 480 17100	412232
14632	-	50	12	+/- 60	750	GU 5.3	3000	HRGI-50-12-GU5.3-50/60	9240 518 17100	426086



# PHILIPS

## Free Manuals Download Website

<http://myh66.com>

<http://usermanuals.us>

<http://www.somanuals.com>

<http://www.4manuals.cc>

<http://www.manual-lib.com>

<http://www.404manual.com>

<http://www.luxmanual.com>

<http://aubethermostatmanual.com>

Golf course search by state

<http://golfingnear.com>

Email search by domain

<http://emailbydomain.com>

Auto manuals search

<http://auto.somanuals.com>

TV manuals search

<http://tv.somanuals.com>