

Incandescent lamps

Clear tubular

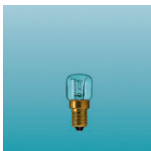


Tubular incandescent lamps with single and coiled-coil filaments and clear bulbs. These lamps are useful in a wide range of applications, both for general and industrial/professional lighting. Burning position: universal.

Applications

- For general lighting: switchboards, cupboards, and piano and painting lighting.
- For industrial/professional lighting: sign boards, elevator sign systems, fair lighting and festive lighting.

T17 E14



T22 E14



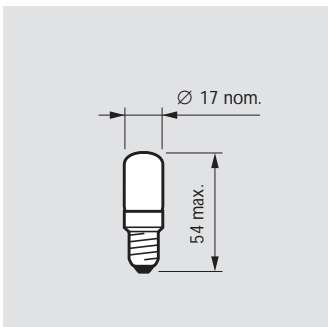
T25 E14



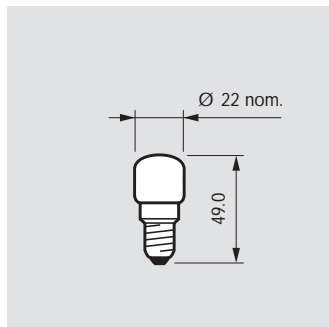
T29 E27



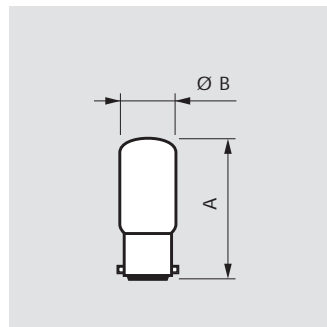
Dimensions in mm



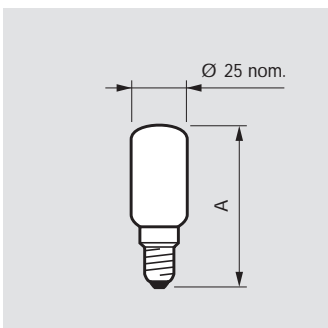
T17 E14



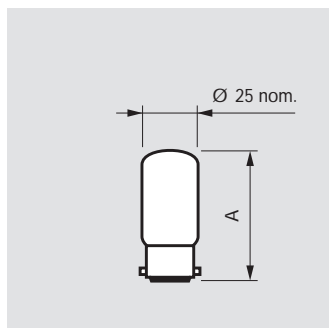
T22 10W/15W



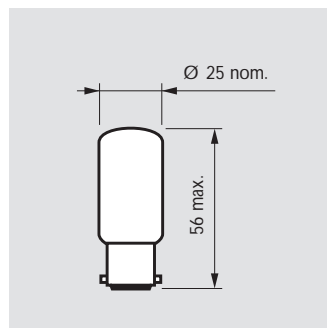
| Type | A max. | B nom. |
|---------------|--------|--------|
| Cap/base b15d | | |
| T17 | 53.0 | 17 |
| T22 | 52.0 | 22 |



| Type | A max. |
|-----------------|--------|
| Cap/base E14 | |
| T25 10W/15W/25W | 57.0 |
| T25L | 86.0 |



| Type | A max. |
|---------------|--------|
| Cap/base B22d | |
| T25 15W | 52.0 |
| T25L | 81.0 |

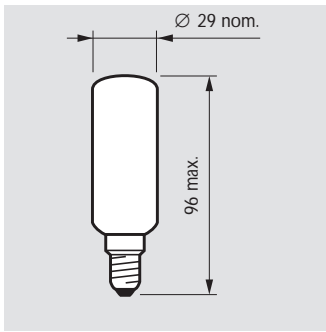


T25 B15d

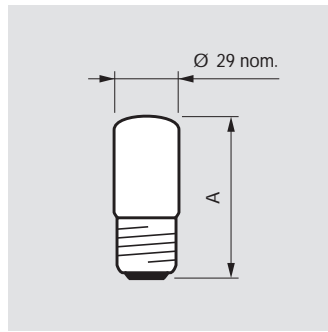
Incandescent lamps

Clear tubular

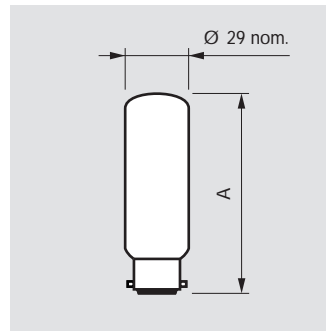
Dimensions in mm



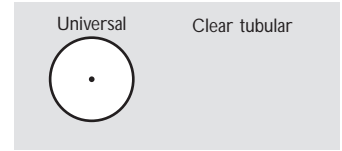
T29 E14



| Type | A max. |
|--------------|--------|
| Cap/base E27 | |
| T29 7.5W | 73.0 |
| T29 15W 240V | 61.0 |
| T29 40W | 96.0 |



| Type | A max. |
|---------------|--------|
| Cap/base B22d | |
| T29 7.5W | 71.0 |
| T29L 40W/60W | 91.0 |



Burning position

| Commercial name | Type | Wattage | | Voltage | Cap/ base | Finish | Lumen output | Lamp life 100% h | EOC |
|-----------------|------|---------|----------|----------|-----------|--------|--------------|------------------|-----|
| | | W | V | | | | | | |
| 7W | | | | | | | | | |
| PRACTITONE | T17 | 7 | 230-240V | E14 | CL | 21 | 1000 | 250087 | |
| 8W | | | | | | | | | |
| PRACTITONE | T22 | 8 | 110 | B15d | CL | 35 | 1000 | - | |
| 10W | | | | | | | | | |
| PRACTITONE | T17 | 10 | 230 | B15d | CL | 37 | 1000 | 249531 | |
| PRACTITONE | T17 | 10 | 230-240 | E14 | CL | 37 | 1000 | 038197 | |
| PRACTITONE | T17 | 10 | 240-250 | E14 | CL | 37 | 1000 | 038210 | |
| PRACTITONE | T22 | 10 | 230 | E14 + LH | CL | 35 | 1000 | 250353 | |
| PRACTITONE | T25 | 10 | 230-240 | E14 | CL | 35 | 1000 | 042217 | |
| 15W | | | | | | | | | |
| PRACTITONE | T17 | 15 | 125-130 | E14 | CL | 109 | 1000 | 038265 | |
| PRACTITONE | T17 | 15 | 230-240 | E14 | CL | 97 | 1000 | 038272 | |
| PRACTITONE | T17 | 15 | 240-250 | E14 | CL | 97 | 1000 | 038296 | |
| PRACTITONE | T17 | 15 | 230 | B15d | CL | 70 | 1000 | 249906 | |
| PRACTITONE | T25 | 15 | 110-120 | B22D | CL | 110 | 1000 | 252210 | |
| PRACTITONE | T25 | 15 | 125-130 | E14 | CL | 110 | 1000 | 249500 | |
| PRACTITONE | T25 | 15 | 230-240 | E14 | CL | 110 | 1000 | 042279 | |
| PRACTITONE | T25 | 15 | 230-240 | B22D | CL | 114 | 1000 | 249739 | |
| PRACTITONE | T25 | 15 | 230 | B15d | CL | 114 | 1000 | 249708 | |
| PRACTITONE | T25 | 15 | 240 | B22D | CL | 115 | 1000 | 341211 | |
| PRACTITONE | T29 | 15 | 240 | E27 | CL | 115 | 1000 | 324122 | |
| 25W | | | | | | | | | |
| PRACTITONE | T25 | 25 | 230-240 | E14 | CL | 172 | 1000 | 042439 | |
| PRACTITONE | T25 | 25 | 230 | B15d | CL | 172 | 1000 | 249753 | |
| PRACTITONE | T25 | 25 | 240-250 | E14 | CL | 172 | 1000 | 249715 | |
| PRACTITONE | T25L | 25 | 230-240 | B22D | CL | 212 | 1000 | 041876 | |
| PRACTITONE | T25L | 25 | 230-240 | E14 | CL | 217 | 1000 | 041715 | |
| PRACTITONE | T29 | 25 | 230 | E14 | CL | 170 | 1000 | 320117 | |
| 40W | | | | | | | | | |
| PRACTITONE | T25L | 40 | 230-240 | B22D | CL | 412 | 1000 | 042118 | |
| PRACTITONE | T25L | 40 | 230-240 | E14 | CL | 420 | 1000 | 041951 | |
| PRACTITONE | T29 | 40 | 230 | E14 | CL | 400 | 1000 | 320193 | |
| PRACTITONE | T29 | 40 | 230 | E27 | CL | 400 | 1000 | 320179 | |
| 60W | | | | | | | | | |
| PRACTITONE | T29L | 60 | 230-240 | B22D | CL | 670 | 1000 | 041630 | |

Free Manuals Download Website

<http://myh66.com>

<http://usermanuals.us>

<http://www.somanuals.com>

<http://www.4manuals.cc>

<http://www.manual-lib.com>

<http://www.404manual.com>

<http://www.luxmanual.com>

<http://aubethermostatmanual.com>

Golf course search by state

<http://golfingnear.com>

Email search by domain

<http://emailbydomain.com>

Auto manuals search

<http://auto.somanuals.com>

TV manuals search

<http://tv.somanuals.com>