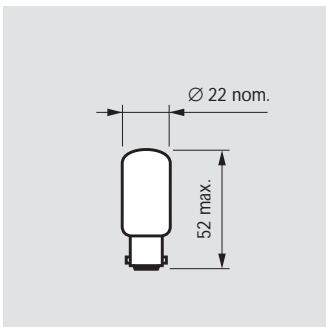


T22 E14 Clear

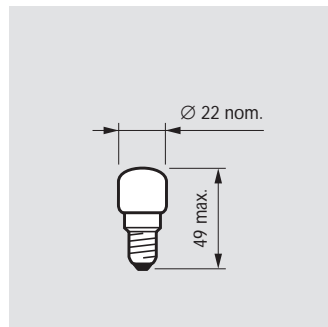


T22 B15d Clear

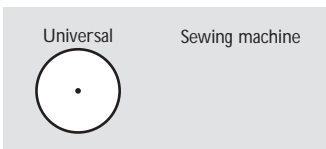
Dimensions in mm



T22 B15d



T22 E14



Burning position

Tubular incandescent vacuum lamps with reinforced single/double coil filament construction and clear bulb. Different lengths are available for application in various types of sewing machines. These lamps have a universal burning position.

Applications
- Sewing machines.



Commercial name	Type	Wattage	Voltage	Cap/ base	Finish	Lumen output	Lamp life	EOC
		W	V			lm	100% h	
15W								
PRACTITONE	T22X51	15	230-240	B15D	CLEAR	83	1000	-
20W								
PRACTITONE	T22X51	20	230	B15D	CLEAR	120	1000	-
PRACTITONE	T22	20	230-240	E14	CLEAR	120	1000	250971

Free Manuals Download Website

<http://myh66.com>

<http://usermanuals.us>

<http://www.somanuals.com>

<http://www.4manuals.cc>

<http://www.manual-lib.com>

<http://www.404manual.com>

<http://www.luxmanual.com>

<http://aubethermostatmanual.com>

Golf course search by state

<http://golfingnear.com>

Email search by domain

<http://emailbydomain.com>

Auto manuals search

<http://auto.somanuals.com>

TV manuals search

<http://tv.somanuals.com>