



PHOENIXGOLD™

COMPONENT SYSTEM
OWNER'S MANUAL



FOR MODELS:

RSd5cs

RSd6cs

RSd6.5cs



Congratulations on your purchase of high quality Phoenix Gold audio electronics. At Phoenix Gold our highest concern is musical reproduction. We appreciate that you chose our product. Through years of engineering expertise, hand craftsmanship and critical testing procedures, we have created a wide range of products to give your system all the clarity and richness you deserve.

Please read your warranty and retain your receipt and original carton for possible future use.

Great product and competent installations are only one piece of the puzzle when it comes to your system. Make sure that your install is using only the best installation accessories. Phoenix Gold manufactures everything from RCA cables and speaker wire to power/ground cable and battery connectors. With proper installation and accessories your system will sound the best that it can.

For more information about Phoenix Gold electronics, speakers and accessories please visit www.phoenixgold.com

WARRANTY

LIMITED WARRANTY ELECTRONICS (USA)

Phoenix Gold warrants this product to be free of defects in materials and workmanship for a period of one (1) year from the original date of purchase.

This warranty is not transferable and applies only to the original purchaser from an authorized Phoenix Gold dealer. Should service be necessary under this warranty for any reason due to manufacturing defect or malfunction, Phoenix Gold will (at its discretion), repair or replace the defective product

with new or remanufactured product at no charge. Damage caused by the following is not covered under warranty: accident, misuse, abuse, product modification or neglect, failure to follow installation instructions, unauthorized repair attempts, misrepresentations by the seller. This warranty does not cover incidental or consequential damages and does not cover the cost of removing or reinstalling the unit(s). Cosmetic damage due to accident or normal wear and tear is not covered under warranty.

IF YOU NEED SERVICE ON YOUR PHOENIX GOLD PRODUCT:

All warranty returns should be sent to Phoenix Gold's Product Service Facility freight-prepaid through an authorized Phoenix Gold dealer and must be accompanied by proof of purchase (a copy of the original sales receipt). Direct returns from consumers or non-authorized dealers will require a Return Authorization number from Phoenix Gold in advance of any shipment to the product service facility. Units returned to Phoenix Gold without an RA number may be subject to refusal or delays.

Warranty expiration on products returned without proof of purchase will be determined from the manufacturing date code. Coverage may be invalidated as this date is previous to purchase date. Non-defective items received will be returned freight-collect. Customer is responsible for shipping charges and insurance in sending the product to Phoenix Gold. Freight damage on returns is not covered under warranty.

FOR SERVICE INFORMATION IN THE U.S.A. PLEASE CALL:

Phoenix Gold customer service: (503) 286-9300
during normal business hours (8:30 AM – 5:00 PM Pacific Standard Time)

PHOENIX GOLD INTERNATIONAL, INC

9300 North Decatur St. Portland, OR 97203
(do not send product for repair to this address)

INTERNATIONAL WARRANTIES:

Products purchased outside the United States of America are covered only by that country's distributor and not by Phoenix Gold International, Inc.

Use the following area provided to record the place and date of purchase.

Store Purchased from _____
Date of Purchase _____



RSd SPEAKER INSTALLATION

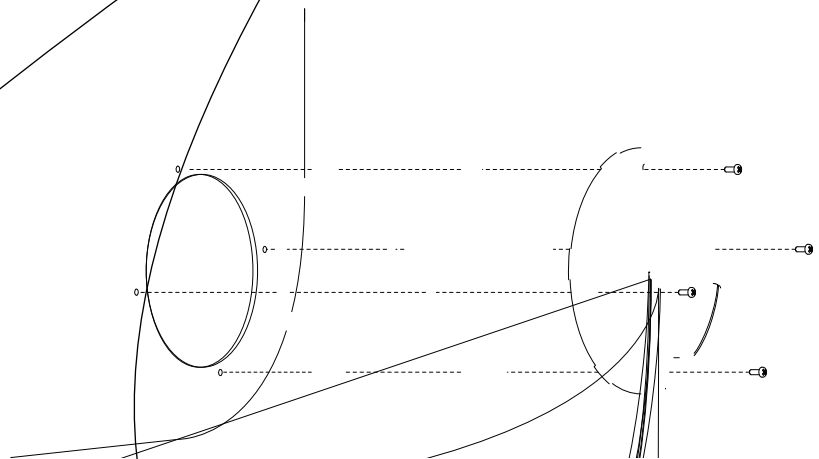
Selecting the placement of your new RSd Coaxial speakers could be as easy as using the existing factory locations or may require you to create a new location. Speaker placement in the door, dash, or rear deck is the most common. See your local Phoenix Gold Dealer for additional location and mounting assistance.

DOORS /REAR DECK

1. Many vehicles already have factory locations (Figure 1.) to house the "DROP IN" feature of the RSd Coaxial line. If no existing locations are available or are not used, check the desired location for adequate cutout area and any depth obstructions. Make sure to allow sufficient clearance for window tracks, structural braces, trunk lid springs, etc.
2. Assuming enough area and depth is available, use the provided template and trace the speaker cutout and mounting holes onto the surface of the mounting location.
3. If the mounting surface is not structurally strong enough to accommodate screws, (i.e. plastic, cardboard) use the provided speed clips which will act as a nut for the supplied screws.
4. Always provide water protection if not supplied in the vehicle. We suggest using a rain shield or equivalent. If in doubt, please contact your Phoenix Gold Dealer.

TWEETER ADJUSTMENT

The 20mm tweeters can pivot in their housing. When mounted low in the door, angle the tweeter up for better off axis performance. In rear deck or dashboard installations, angle the tweeter away from the rear glass to reduce reflections.

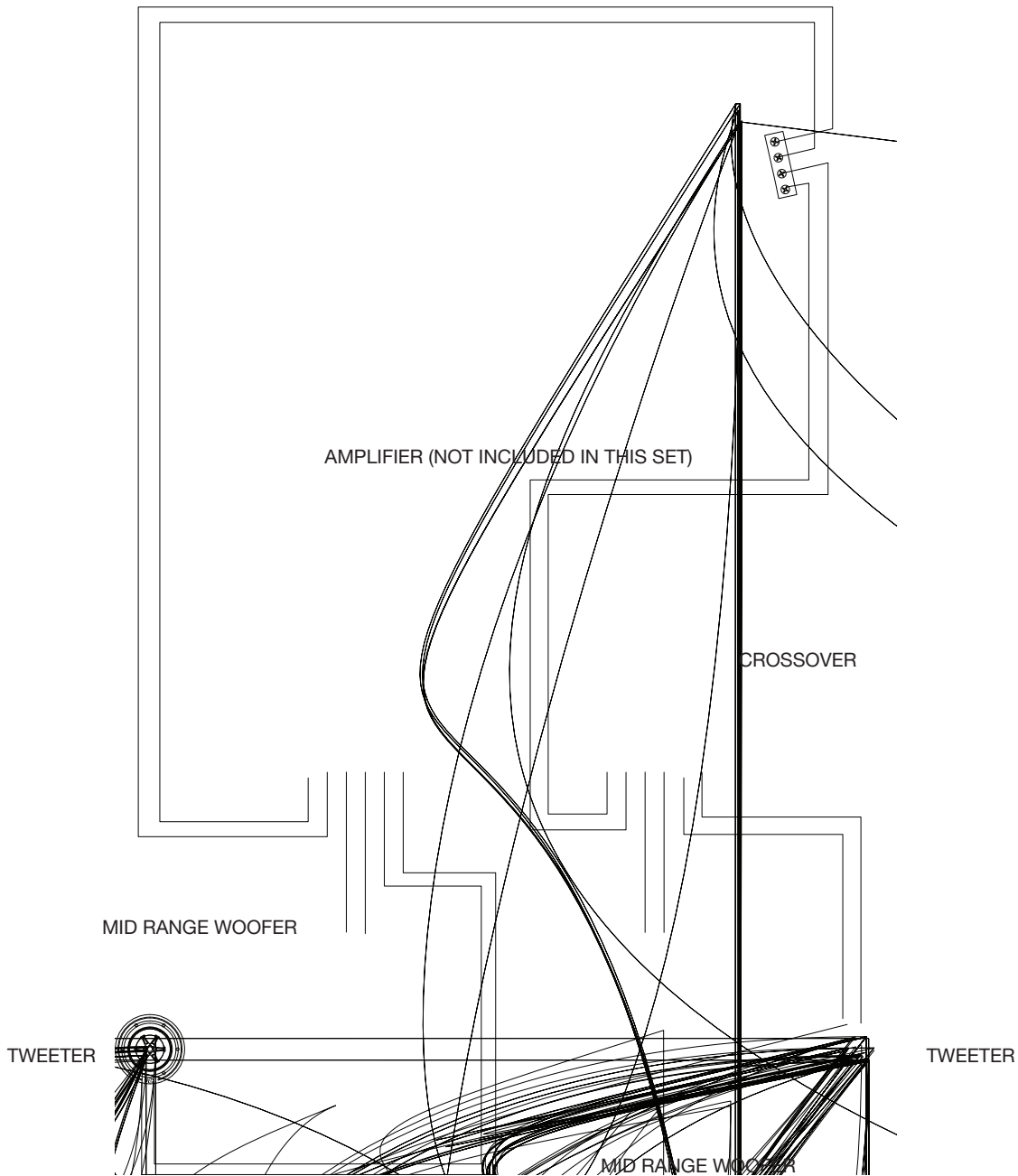


CROSSOVER HOOKUP

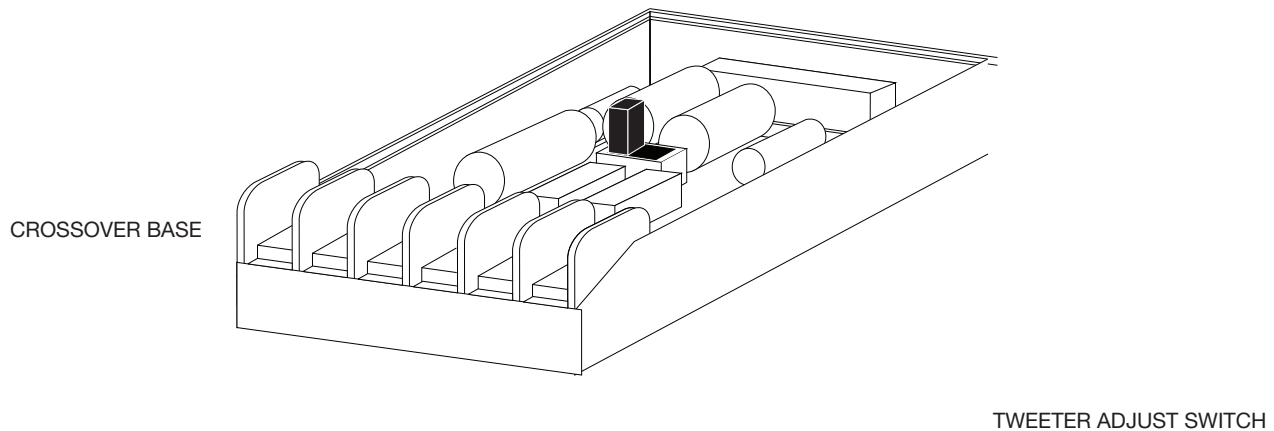
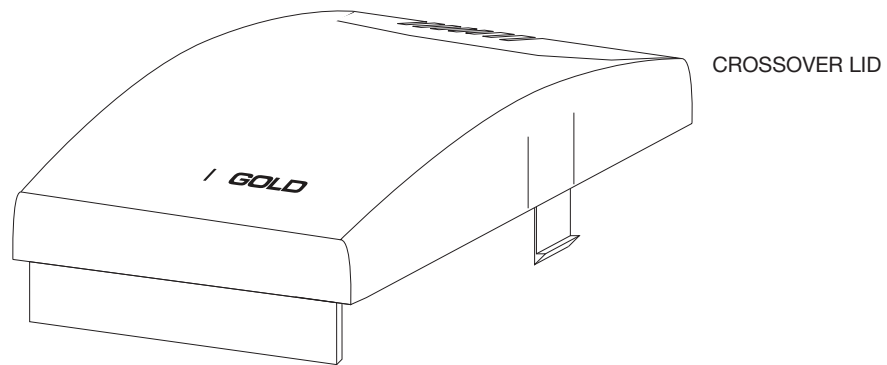
The crossover provided with the RSd component set is optimized to give the most accurate in-car response. Use only the crossover provided; the use of any other crossover may result in damage to one or more of the RSd series components.

The basic component system hookup requires signal, via speaker wire, to run from your power amplifier (not included in this set) to each of the

two crossovers that come with your RSd component system, designate one for the left channel and one for the right. Connect that signal to the signal input on the crossover. From there connect your component woofer and tweeters to the corresponding crossover using the correct polarity.



TWEETER ADJUSTMENT SWITCH



TWEETER ADJUST SWITCH

TWEETER INSTALLATION - FLUSH MOUNT

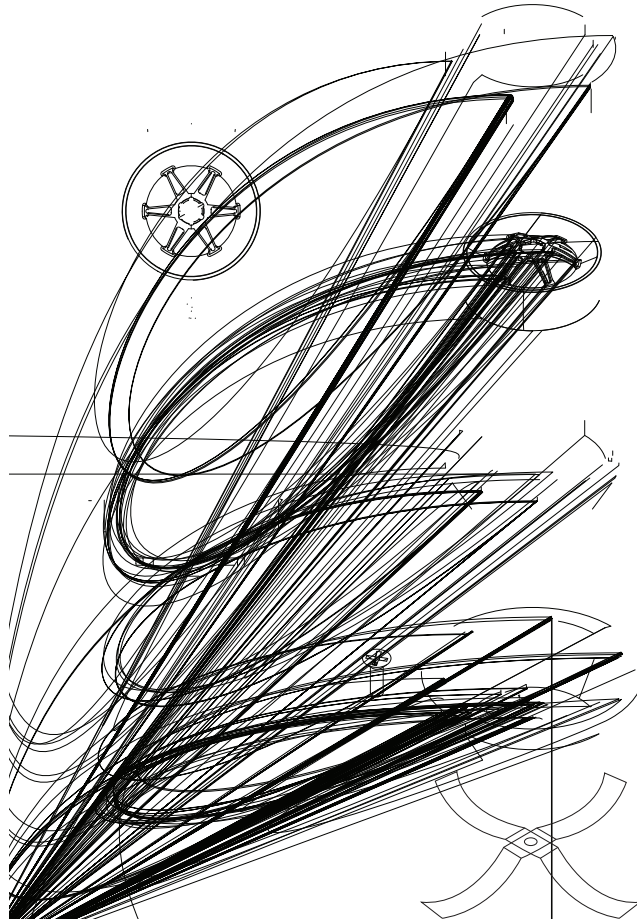
With a variety of supplied mounting options, the RSd series tweeter is easy to install in any vehicle. Each RSd component set comes with a flush mount and surface mount installation kit. For other custom mounting configurations, please contact your authorized Phoenix Gold Dealer.

Flush Mount: For optimal tweeter installation, use the Flush Mount option. The Flush mount requires 3/4" depth and a 15/8" mounting hole in the mounting surface.

The RSd tweeters have been designed to pivot in their housing. This allows the user to pivot the tweeter during the installation process for optimum listening results.

For best results always try to maintain equal path lengths between the right and the left tweeter and the listening position. This is usually accomplished by mounting as low and deep as possible in a kick panel installation, or high and deep in a dash board installation. Be cautious in dash board installations not to reflect the tweeter off of the windshield. This increases reflections and can greatly diminish the overall system listening quality. For door panel installations try to angle the tweeters toward the listener to minimize cross cancelation.

TWEETER ASSEMBLY - FLUSH MOUNT



FLUSH MOUNT RETAINING RING

Slide the retainer ring over the tweeter housing onto the inner cup. Rotate the retainer ring to lock all three pieces into place.

TWEETER HOUSING

INNER CUP

Once you have the inner portion assembled slide it into the outer cup and twist to lock into place.

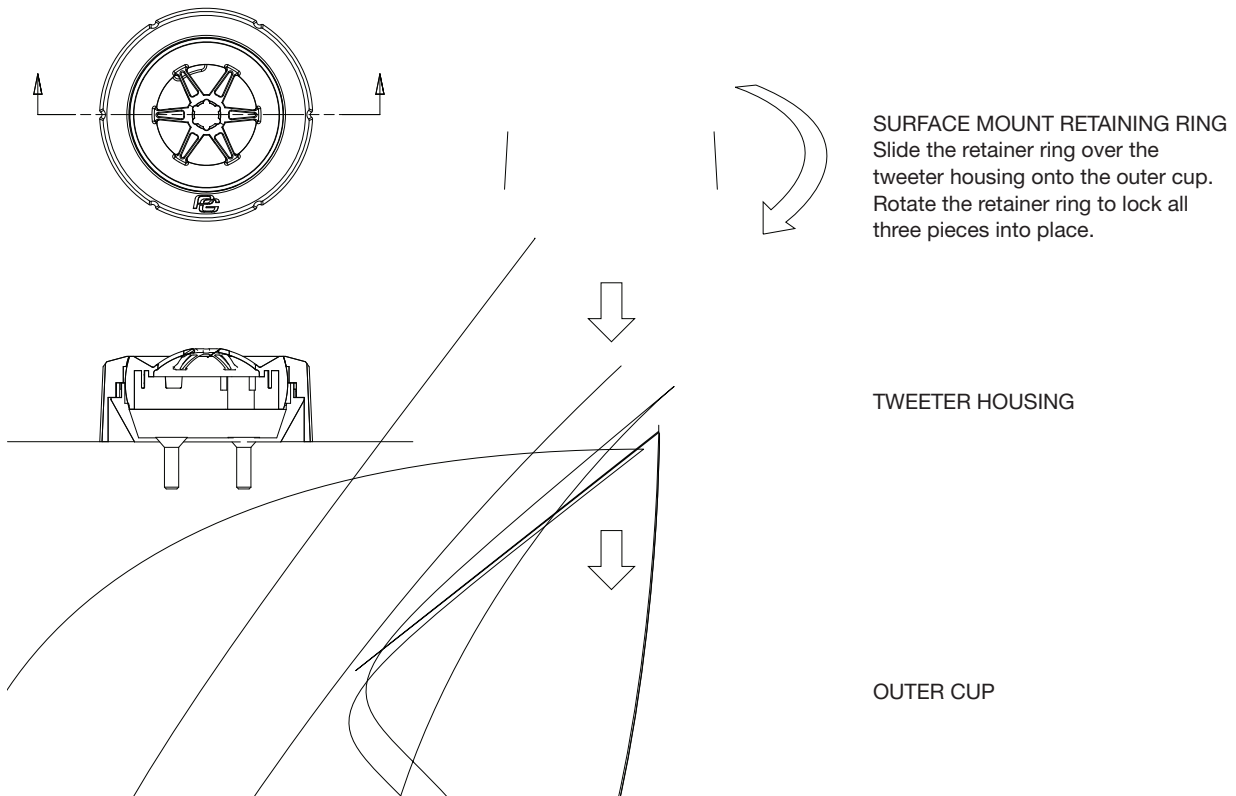
OUTER CUP

SPRING RETAINER

The spring retainer is what holds the tweeter in place. Its fingers clamp against the inside of the wall you are mounting the tweeter to (shown in the diagram to the left).

TWEETER INSTALLATION - SURFACE MOUNT

TWEETER ASSEMBLY - SURFACE MOUNT





FEATURES:

PERFORMANCE DESIGN

Developed and CAE/CAD optimized by Phoenix Gold from the ground up to set new standards in performance.

INJECTION MOLDED ALUMINUM PLATED GRAINED POLYPROPYLENE CONE

Injection molded to be very light and rigid for excellent signal tracking.

BUTYL RUBBER SURROUND

Advanced butyl rubber surround is more rugged than foam, resists moisture and UV, and is extremely well damped.

FLAT LINEAR ROLL SPIDER (on select models)

Reduces distortion and provides maximum voice coil centering.

INTERWOVEN TINSEL LEADS

Tinsel leads woven directly into the spider provide added strength and reliability.

RIGID POWDER COATED STEEL FRAME

OPTIMIZED MAGNET/MOTOR STRUCTURE

Results in high efficiency and clarity of sound reproduction.

SPECIFICATIONS: Due to continual product improvement, all specifications subject to change without notice.

T/S Parameters	RSd5CS	RSd6CS	RSd6.5CS
Re (Dcr)	3.6	3.6	3.6
Fo (Hz)	95.0	66.0	63.0
Sd (SqM)	0.0083	0.0117	0.0135
BL (TM)	4.094	4.716	4.907
SPLo (dB)	85.5	88.0	88.2
Qms	7.43	3.89	8.31
Qes	1.14	0.75	0.74
Qts	0.99	0.63	0.68
Vas (cu M)	0.003065	0.01072	0.013182
Cms (uM/N)	310.87	519.02	511.03
Mms (gms)	9.04	11.18	12.66
Mmd (gms)	8.60	10.45	11.76
Power Handling (Minimum RMS/Peak)	5W/120W	5W/120W	5W/120W
VC (in)	1.0	1.0	1.0
Frequency Response (Hz)	65-20K	50-20K	45-20K
Impedance (ohm)	4	4	4
Cut Out Dimension (mm)	115	128	143
Mounting Depth (mm)	61	65	73



Free Manuals Download Website

<http://myh66.com>

<http://usermanuals.us>

<http://www.somanuals.com>

<http://www.4manuals.cc>

<http://www.manual-lib.com>

<http://www.404manual.com>

<http://www.luxmanual.com>

<http://aubethermostatmanual.com>

Golf course search by state

<http://golfingnear.com>

Email search by domain

<http://emailbydomain.com>

Auto manuals search

<http://auto.somanuals.com>

TV manuals search

<http://tv.somanuals.com>