

# *PHOENIX GOLD*®



***T12 POINTSOURCE  
OWNER'S MANUAL***

## A FEW WORDS ABOUT DESIGN

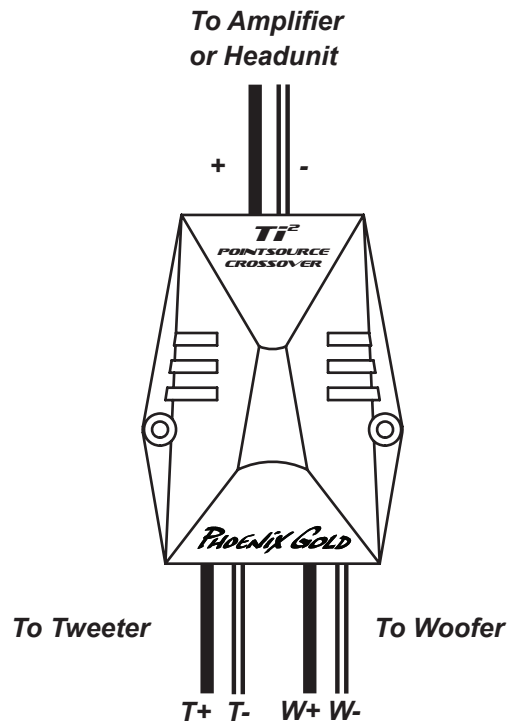
Thank you for purchasing the Phoenix Gold Ti2 Pointsource speaker system. It features a 20mm pure silk dome tweeter that is mounted in a pointsource configuration. The 6.5" midrange has a unique dual roll surround that eliminates unwanted resonances, acoustical artifacts and dampens mechanical vibrations. The tweeter and midrange has been specifically engineered with complex FEA analysis that perfectly optimizes the motor structures. In addition, the passive crossovers are computer modeled and then real world (in car tested and further tweaked) tuned to provide a seamless transition from the midrange to tweeter. Whether you are looking to upgrade tired factory speakers or desire studio grade performance the Ti2 pointsource systems are the perfect solution.

## SPECIFICATIONS

### FEATURES:

- 20mm Silk Dome Tweeter
- Poly Treated Paper Cone
- Smooth Termination Dual Roll Rubber Surround
- Powder Coated Stamped Steel Basket
- 24dB External Audiophile Crossover
- High Temperature CAE/CAD Motor Structure

|                     | Ti265ps               | Ti257ps                           | Ti269ps                         |
|---------------------|-----------------------|-----------------------------------|---------------------------------|
| RMS Power Handling  | 100 watts             | 100 watts                         | 100 watts                       |
| PEAK Power Handling | 200 watts             | 200 watts                         | 200 watts                       |
| Nominal Impedance   | 4 ohms                | 4 ohms                            | 4 ohms                          |
| Sensitivity         | 91dB                  | 91dB                              | 92dB                            |
| Mounting Depth      | 65mm -<br>2.55 inches | 59mm -<br>2.4 inches              | 78mm -<br>3.1 inches            |
| Mounting Diameter   | 145mm -<br>5.7 inches | 127mm x 182mm -<br>5 x 7.2 inches | 151mm x 221mm<br>6 x 8.7 inches |

**CROSSOVER WIRING****INSTALLATION:**

- The provided external passive crossovers **MUST** be used with the Ti2 Pointsource speakers. Speaker damage **WILL** occur if the external crossovers are not used.

- Installation is simple just follow the clearly marked labels on the wiring and speaker terminals. The wiring connections are also marked on the internal PCB which is accessible by removing the crossover housing's top cover.

- Each speaker has two separate (and clearly labeled) terminals: one for the tweeter and one for the woofer. Both terminals must be used and connected to the correct wires on the passive crossover.

- **IMPORTANT: USE THE PRE-TERMINATED SPADE TERMINALS FOR EASY INSTALLATION. DO NOT CUT THEM OFF!**

The crossover wires are pre-terminated with the correct size spade terminals that match the correct size terminal on the speaker. This makes installation much faster/easier, and also makes it impossible to mistakenly wire the woofer wires from the crossover to the tweeter terminal on the speaker.

- Double check all the wiring connections before turning the system on. Most importantly double check the woofer wires from the crossover are **NOT** wired to the tweeter terminal of the speaker. The tweeter will be damaged if this occurs.

# PHOENIX GOLD

Phoenix Gold  
A Division of AAMP of America™  
13190 56th Court  
Clearwater, Florida 33760  
P: 866-788-4237  
info@phoenixgold.com  
www.phoenixgold.com  
© 2013 AAMP of Florida, Inc

Designed and Engineered in the USA

## LIMITED WARRANTY

Phoenix Gold warrants this product to be free of defects in materials and workmanship for a period of one (1) year from the original date of purchase. This warranty is not transferable and applies only to the original purchaser from an authorized Phoenix Gold dealer in the United States of America only. Should service be necessary under this warranty for any reason due to manufacturing defect or malfunction, Phoenix Gold will (at its discretion), repair or replace the defective product with new or remanufactured product at no charge. Damage caused by the following is not covered under warranty: accident, misuse, abuse, product modification or neglect, failure to follow installation instructions, unauthorized repair attempts, misrepresentations by the seller. This warranty does not cover incidental or consequential damages and does not cover the cost of removing or reinstalling the unit(s). Cosmetic damage due to accident or normal wear and tear is not covered under warranty.

## INTERNATIONAL WARRANTIES

Products purchased outside the United States of America are covered only by that country's Authorized Phoenix Gold reseller and not by Phoenix Gold. Consumers needing service or warranty information for these products must contact that country's reseller for information.

## Free Manuals Download Website

<http://myh66.com>

<http://usermanuals.us>

<http://www.somanuals.com>

<http://www.4manuals.cc>

<http://www.manual-lib.com>

<http://www.404manual.com>

<http://www.luxmanual.com>

<http://aubethermostatmanual.com>

Golf course search by state

<http://golfingnear.com>

Email search by domain

<http://emailbydomain.com>

Auto manuals search

<http://auto.somanuals.com>

TV manuals search

<http://tv.somanuals.com>