

Pioneer *sound.vision.soul*

CLASS D MONO AMPLIFIER

AMPLIFICATEUR MONO DE CLASSE D

PREMIER

Owner's Manual

PRS-D1000M

Mode d'emploi

ENGLISH

FRANÇAIS

ESPAÑOL

Before Using This Product	1
Information to User	1
Important	1
Product Registration	2
About This Product	2
CAUTION	2
WARNING	2
Setting the Unit	3
Terminal Cover	3
Power Indicator	3
Subsonic Select Switch	3
Bass Boost Control	3
BFC (Beat Frequency Control) Switch	3
MODE SELECT Switch	4
Gain Control	4
Cut Off Frequency Control for LPF	4
Input Switch	4
POWER MODE Switch	4
Connecting the Unit	5
Connection Diagram	6
Connecting the Power Terminal	7
Connecting the Speaker Output Terminals	8
Using the Speaker Input	8
Connecting the Speaker Wires	9
Installation	13
Example of installation on the floor mat or on the chassis	14
Replacing the terminal cover	14
Specifications	15

Thank you for purchasing this PIONEER product. It is designed to give you many years of enjoyment.
PIONEER SUGGESTS USING A PROFESSIONAL INSTALLER DUE TO THE COMPLEXITY OF THIS PRODUCT. Please read all instructions and **WARNINGS** in this manual before attempting operation. Should you have any questions, contact your nearest Pioneer authorized dealer or installation specialist.

Information to User

Alteration or modifications carried out without appropriate authorization may invalidate the user's right to operate the equipment.

Important

The serial number of this amplifier is written on the bottom of the unit. For your own security and convenience, write it down on the enclosed warranty card. Keep the card handy for future reference.

After-sales service for Pioneer products

Please contact the dealer or distributor from where you purchased the product for its after-sales service (including warranty conditions) or any other information. In case the necessary information is not available, please contact the companies listed below:

Please do not ship your product to the companies at the addresses listed below for repair without advance contact.

■ U.S.A.

Pioneer Electronics (USA) Inc.
CUSTOMER SUPPORT DIVISION
P.O. Box 1760
Long Beach, CA 90801-1760
800-421-1404

■ CANADA

Pioneer Electronics of Canada, Inc.
CUSTOMER SATISFACTION
DEPARTMENT
300 Allstate Parkway
Markham, Ontario L3R OP2
1-877-283-5901

For warranty information please see the Limited Warranty sheet included with your product.

Product Registration

Visit us at the following site:

<http://www.pioneerelectronics.com>

- 1 Register your product. We will keep the details of your purchase on file to help you refer to this information in the event of an insurance claim such as loss or theft.
- 2 Receive updates on the latest products and technologies.
- 3 Download owner's manuals, order product catalogues, research new products, and much more.

About This Product

This product is a class D amplifier for the subwoofer. If both L (left) and R (right) channels are connected to the RCA input of this product, output is mixed because this product is a mono amplifier.

CAUTION

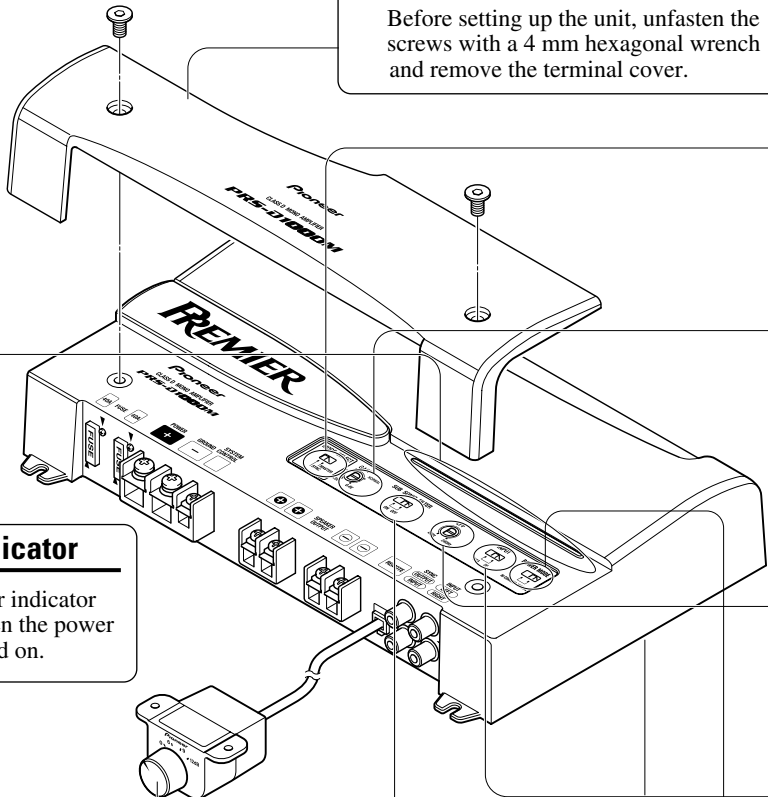
Never replace the fuse with one of greater value or rating than the original fuse. Use of an improper fuse could result in overheating and smoke and could cause damage to the product and injury including burns.

WARNING

- Check the connections of the power supply and speakers if the fuse of the separately sold battery wire or the amplifier fuse blows. Detect the cause and solve the problem, then replace the fuse with another one of the same size and rating.
 - To prevent malfunction of the amplifier and speakers, the protective circuit will cut the power supply to the amplifier (sound will stop) when an abnormal condition occurs. In such a case, switch the power to the system OFF and check the connection of the power supply and speakers. Detect the cause and solve the problem.
 - Contact the dealer if you cannot detect the cause.
 - To prevent an electric shock or short-circuit during connection and installation, be sure to disconnect the negative (-) terminal of the battery beforehand.
 - Confirm that no parts are behind the panel when drilling a hole for installation of the amplifier. Be sure to protect all cables and important equipment such as fuel lines, brake lines and the electrical wiring from damage.
 - DO NOT allow amplifier to come into contact with liquids due to, for example, the location where the amplifier is installed. Electrical shock could result. Also, amplifier and speaker damage, smoke, and overheating could result from contact with liquids. In addition, the amplifier surface and the surface of any attached speakers could become hot to the touch and minor burns could result.
- Handling the cord on this product or cords associated with accessories sold with the product will expose you to lead, a chemical known to the State of California and other governmental entities to cause cancer and birth defects or other reproductive harm. **Wash hands after handling.**
 - Always use the special red battery and ground wire [RD-223] and [RD-222], which are sold separately. Connect the battery wire directly to the car battery positive terminal (+) and the ground wire to the car body. There is the risk of a fuse burning out if only one of these is connected.
 - Do not touch the amplifier with wet hands. Otherwise you may get an electric shock. Also, do not touch the amplifier when it is wet.
 - For traffic safety and to maintain safe driving conditions, keep the volume low enough so that you can still hear normal traffic sound.

Terminal Cover

Before setting up the unit, unfasten the screws with a 4 mm hexagonal wrench and remove the terminal cover.



Power Indicator

The power indicator lights when the power is switched on.

Subsonic Select Switch

The subsonic filter cuts inaudible frequencies below 20 Hz to eliminate unwanted vibrations and minimize power loss.

Bass Boost Control

You can select a bass boost level from 0, 6, 9 and 12 dB. For instruction of connecting the bass boost remote control to the amplifier, see the "Connection Diagram" section.

BFC (Beat Frequency Control) Switch

BFC switch is on the bottom of the unit. If you hear a beat while listening to an AM broadcast with your car stereo, change the BFC switch using a small standard tip screwdriver.

MODE SELECT Switch

You can select amplifier's sync mode from MASTER, SYNC and SYNC INV. Set the MODE SELECT switch to the MASTER position when using one amplifier only. When using synchronously connecting two or more of these amplifiers in combination, set the first amplifier to MASTER, and set the remaining amplifiers to SYNC or SYNC INV according to the manner in which they are connected. The only time the amplifier is switched to the SYNC INV mode is when amplifiers are synchronously connected with the ex. bridge. When switching to the SYNC INV mode, the seal over the MODE SELECT switch must be peeled off and you can find SYNC INV switch. Peel off the seal after checking that connections are correct. See the "Connecting the Speaker Wires" section for details on the MODE SELECT switch.

Gain Control

If the sound level is too low, even when the volume of the car stereo used along with this power amplifier is turned up, turn gain control clockwise. If the sound distorts when the volume is turned up, turn the gain control counter-clockwise.

- When using with an RCA equipped car stereo (standard output of 500 mV), set to the NORMAL position. When using with an RCA equipped Pioneer car stereo with max. output of 4 V or more, adjust level to match the car stereo output level.
- If you hear too much noise when using the speaker input terminals, turn the gain control counter-clockwise.

Cut Off Frequency Control for LPF

You can select a cut off frequency from 40 Hz to 240 Hz.

Input Switch

It is possible to input from a car stereo external output or a car stereo speaker output. Switch the input switch before turning on the power. Since switching the input switch while the power is on can cause a loud noise to be emitted from the speakers, the power is turned off by a protection function. When using an external output, slide the switch to the left. For connection instructions, see the "Connection Diagram" section. When using a speaker output, slide the switch to the right. In this case, it is necessary to use the supplied speaker input wire with RCA pin cord. For details, see the "Using the Speaker Input" section.

POWER MODE Switch

When using speakers with synthetic impedance $2\ \Omega$ to $8\ \Omega$, slide the switch to the right (NORMAL). When using speakers with synthetic impedance from $1\ \Omega$ to less than $2\ \Omega$, slide the switch to the left (HI-CURRENT). These settings are only used when using a single amplifier. See the "Connecting the Speaker Wires" section when combining the use of multiple amplifiers.

If the speaker impedance exceeds $2\ \Omega$ ($4\ \Omega$ when using ex. bridge), although the POWER MODE switch be may set to the HI-CURRENT position, setting to the NORMAL position makes it possible to enjoy high power sound.

CAUTION

- Disconnect the negative (–) terminal of the battery to avoid the risk of short-circuit and damage to the unit.
- Secure the wiring with cable clamps or adhesive tape. To protect the wiring, wrap adhesive tape around it where they lie against metal parts.
- Do not route wires where they will get hot, for example where the heater will blow over them. If the insulation heats up, it may become damaged, resulting in a short-circuit through the vehicle body.

CAUTION:

To prevent damage and/or injury

- Do not ground the speaker wire directly or connect a negative (–) lead wire for several speakers.
- This unit is for vehicles with a 12-volt battery and negative grounding. Before installing it in a recreational vehicle, truck or bus, check the battery voltage.
- If the car stereo is kept on for a long time while the engine is at rest or idling, the battery may go dead. Turn the car stereo off when the engine is at rest or idling.
- If the system remote control wire of the amplifier is connected to the power terminal through the ignition switch (12 V DC), the amplifier will always be on when the ignition is on—regardless of whether the car stereo is on or off. Because of this, the battery could go dead if the engine is at rest or idling.
- DO NOT connect a subwoofer with a lower impedance than specified in the “Connecting the Unit” section. Amplifier damage, smoke, and overheating could result from a non-specified connection. The amplifier surface could also become hot to the touch and minor burns could result.

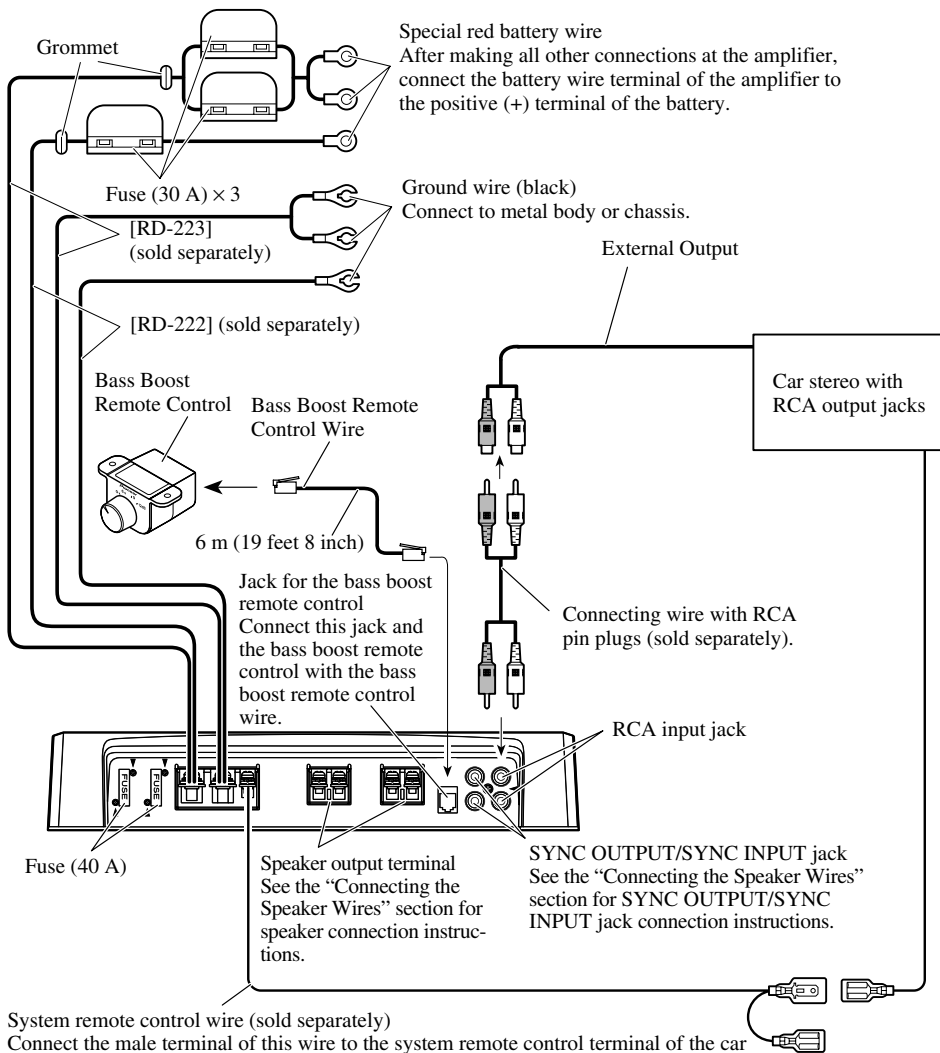
- Make sure that wires will not interfere with moving parts of the vehicle, such as the gearshift, handbrake or seat sliding mechanism.
- Do not shorten any wires. Otherwise the protection circuit may fail to work when it should.
- Never feed power to other equipment by cutting the insulation of the power supply wire to tap from the wire. The current capacity of the wire will be exceeded, causing overheating.
- Never replace the fuse with one of greater value or rating than the original fuse. Use of an improper fuse could result in overheating and smoke and could cause damage to the product and injury including burns.

- Connect either of three subwoofers to the amplifier; 1: a subwoofer with a 420 W or larger nominal input and an impedance 4 Ω , 2: a subwoofer with a 600 W or larger nominal input and an impedance 2 Ω or 3: a subwoofer with a 600 W or larger nominal input and an impedance 1 Ω . If the nominal input and impedance are out of the above ranges, the subwoofer may catch fire, emit smoke or become damaged.
- Install and route the separately sold battery wire as far away as possible from the speaker wires. Install and route the separately sold battery wire, ground wire, speaker wires and the amplifier as far away as possible from the antenna, antenna cable and tuner.

- Cords for this product and those for other products may be different colors even if they have the same function. When connecting this product to another product, refer to the supplied Installation manuals of both products and connect cords that have the same function.

Connection Diagram

- This diagram shows connections using external output. Slide the input switch to the left.
- In the case of connecting the external output from a car stereo to an RCA input, use the jack used for full-range output. This is because the LPF of the amplifier cannot be turned OFF. If this jack cannot be used, connect the subwoofer output jack to the RCA input.
- When you connect with speaker output, connections defers from the diagram. For details, see the “Using the Speaker Input” section. In either case, you need to set the input switch. For details, see the “Setting the Unit” section.
- Always use the special red battery and ground wire ([RD-223] and [RD-222]), which are sold separately. Connect the battery wire directly to the car battery positive terminal (+) and the ground wire to the car body. There is the risk of a fuse burning out if only one of these is connected.



System remote control wire (sold separately)

Connect the male terminal of this wire to the system remote control terminal of the car stereo (SYSTEM REMOTE CONTROL). The female terminal can be connected to the auto-antenna relay control terminal. If the car stereo does not have a system remote control terminal, connect the male terminal to the antenna terminal. For details, see the “Setting the Unit” section.

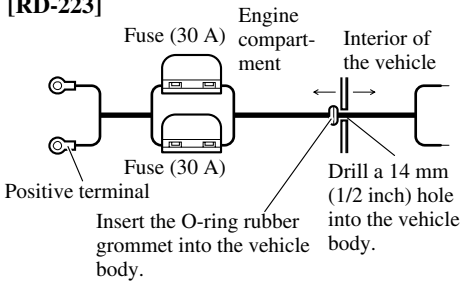
Connecting the Power Terminal

- Always use the special red battery and ground wire ([RD-223] and [RD-222]), which are sold separately. Connect the battery wire directly to the car battery positive terminal (+) and the ground wire to the car body. There is the risk of a fuse burning out if only one of these is connected.

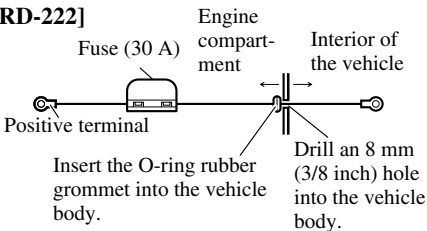
1. Pass the battery wire from the engine compartment to the interior of the vehicle.

- After making all other connections to the amplifier, connect the battery wire terminal of the amplifier to the positive (+) terminal of the battery.

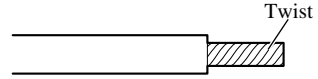
[RD-223]



[RD-222]

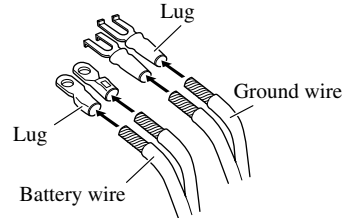


2. Twist the battery wire, ground wire and system remote control wire.



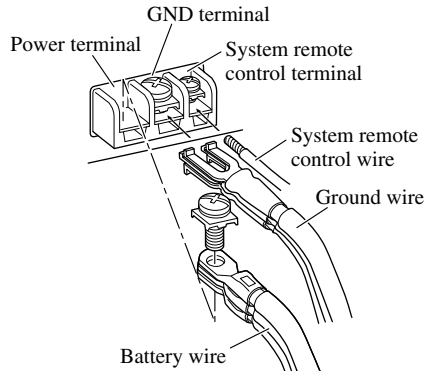
3. Attach lugs to wire ends. Lugs not supplied.

- Use pliers, etc., to crimp lugs to wires.



4. Connect the wires to the terminal.

- Fix the wires securely with the terminal screws.

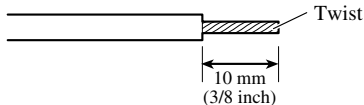


⚠ WARNING

Failure to securely fasten the battery wire to the terminal using the terminal screws could cause the terminal area to overheat and could result in damage and injury including minor burns.

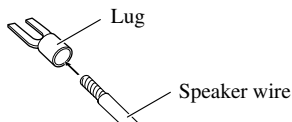
Connecting the Speaker Output Terminals

1. Expose the end of the speaker wires using nippers or a cutter by about 10 mm (3/8 inch) and twist.



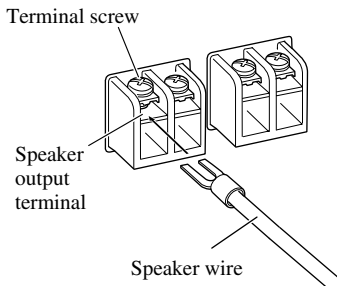
2. Attach lugs to speaker wire ends. Lugs not supplied.

- Use pliers, etc., to crimp lugs to wires.



3. Connect the speaker wires to the speaker output terminals.

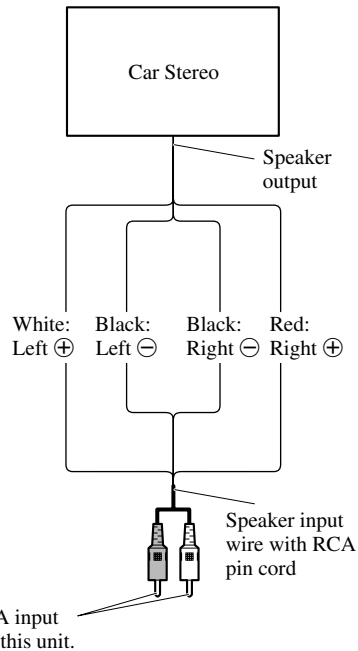
- Fix the speaker wires securely with the terminal screws.



Using the Speaker Input

- Connect the car stereo speaker output wires to the amplifier using the supplied speaker input wire with RCA pin cord.
- Slide the input switch to the right.

■ Connections when using the speaker input



- As a result of connecting the car stereo speaker output wire to the amplifier, the power of the amplifier is turned on automatically when the car stereo is turned on. It is not necessary to connect the system remote control wire in this case.
- In the case the amplifier and head unit are connected using a speaker input wire with RCA pin cord, the amplifier power is only turned on when one amplifier is being used. If two or more amplifiers are synchronously connected in combination, connect the head unit and all of the amplifiers with the system remote control wire.

Note:

- Connect the system remote control wire when the power of the amplifier is not to be turned on when the car stereo is turned on.

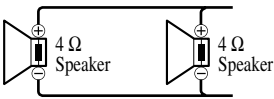
Connecting the Speaker Wires

Connect the speaker leads and set MODE SELECT switch and POWER MODE switch to suit the configuration according to the figures shown below and the next page.

- When synchronously connecting two or more amplifiers in combination, only use these amplifiers. Do not mix these amplifiers with other amplifiers.
- When synchronously connecting two or more amplifiers in combination, set the gain control, subsonic select switch, cut off frequency control for LPF and bass boost control on the amplifier that has been set to MASTER with the MODE SELECT switch. These settings are inactive when set on an amplifier set to SYNC or SYNC INV.

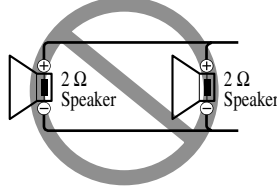
CAUTION

Diagram A - Proper



2 Ω Bridged Mode

Diagram B - Improper



1 Ω Bridged Mode

Do NOT install or use this amplifier by wiring speakers rated at 2 Ω (or lower) in parallel to achieve a 1 Ω (or lower) bridged mode (Diagram B).

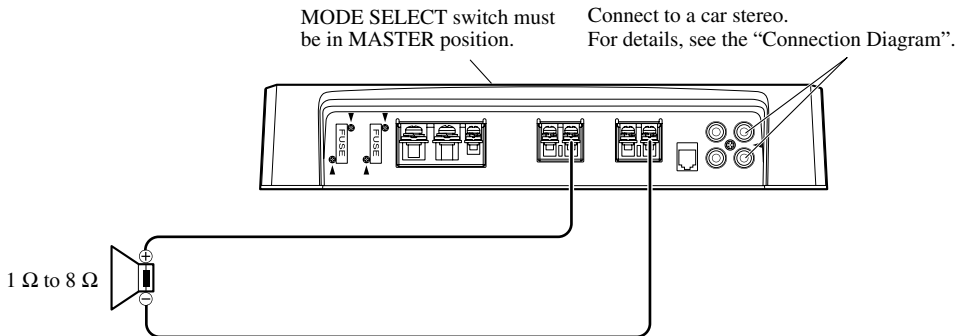
Amplifier damage, smoke, and overheating could result from improper bridging. The amplifier surface could also become hot to the touch and minor burns could result.

To properly install or use a bridged mode and achieve a 2 Ω load, wire two 4 Ω speakers in parallel with Left + and Right – (Diagram A) or use a single 2 Ω speaker.

If the synthetic impedance is from 2 Ω to less than 4 Ω, always make sure to set the POWER MODE switch to the HI-CURRENT position.

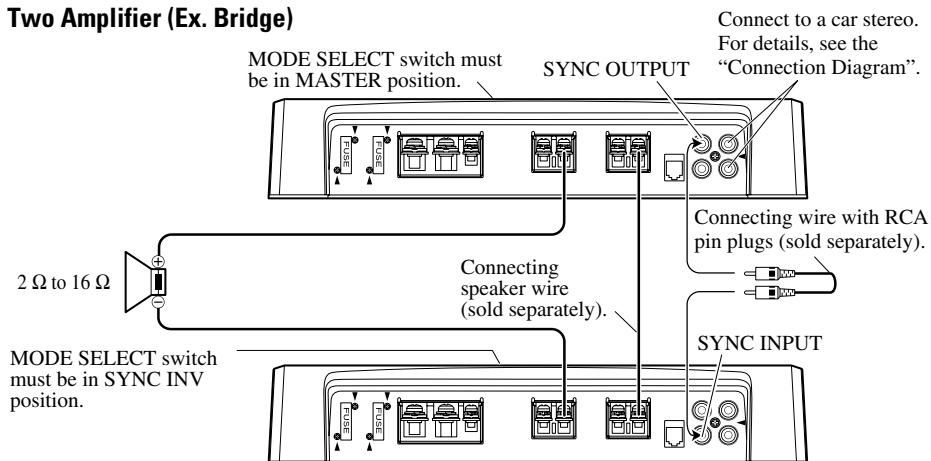
In addition, refer to the speaker instruction manual for information on the correct connection procedure.

Single Amplifier



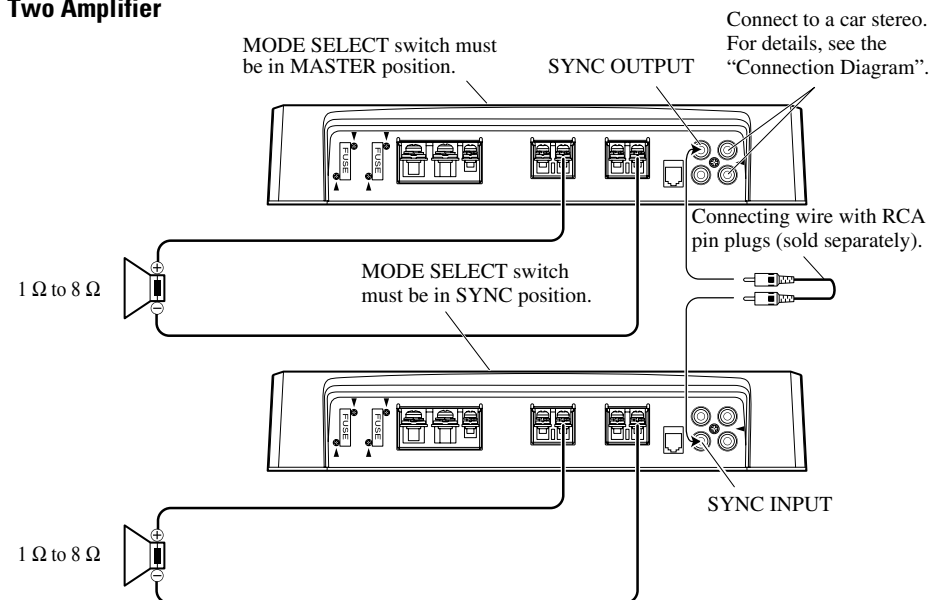
- Use speakers having an impedance from 1 Ω to 8 Ω.
- The setting of the POWER MODE switch varies according to the speaker impedance. See the "Setting the Unit" section for details.

Two Amplifier (Ex. Bridge)



- Only use speakers having an impedance of 2 Ω to 16 Ω . In addition, in the case of connecting multiple speakers with a bridge, check that the synthetic impedance is at least 2 Ω .
- The setting of the POWER MODE switch varies according to the speaker impedance. Slide the POWER MODE switch to the HI-CURRENT position if the impedance is from 2 Ω to less than 4 Ω , or slide it to the NORMAL position if the impedance is from 4 Ω to 16 Ω . The same setting is used for both amplifiers.
- When switching to the SYNC INV mode, the seal over the MODE SELECT switch must be peeled off and you can find SYNC INV switch. Peel off the seal after checking that connections are correct.

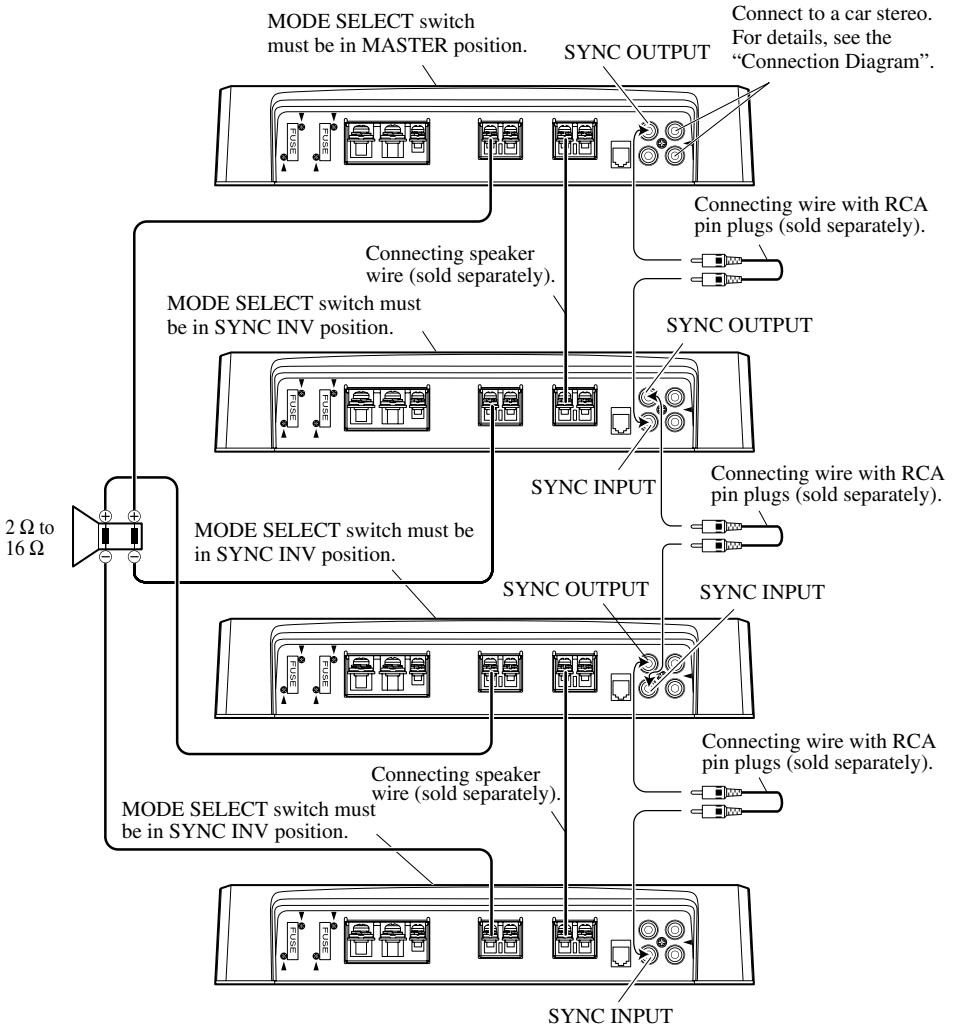
Two Amplifier



- Use speakers having an impedance from 1 Ω to 8 Ω .
- The setting of the POWER MODE switch varies according to the speaker impedance. See the "Setting the Unit" section for details. The same setting is used for both amplifiers.

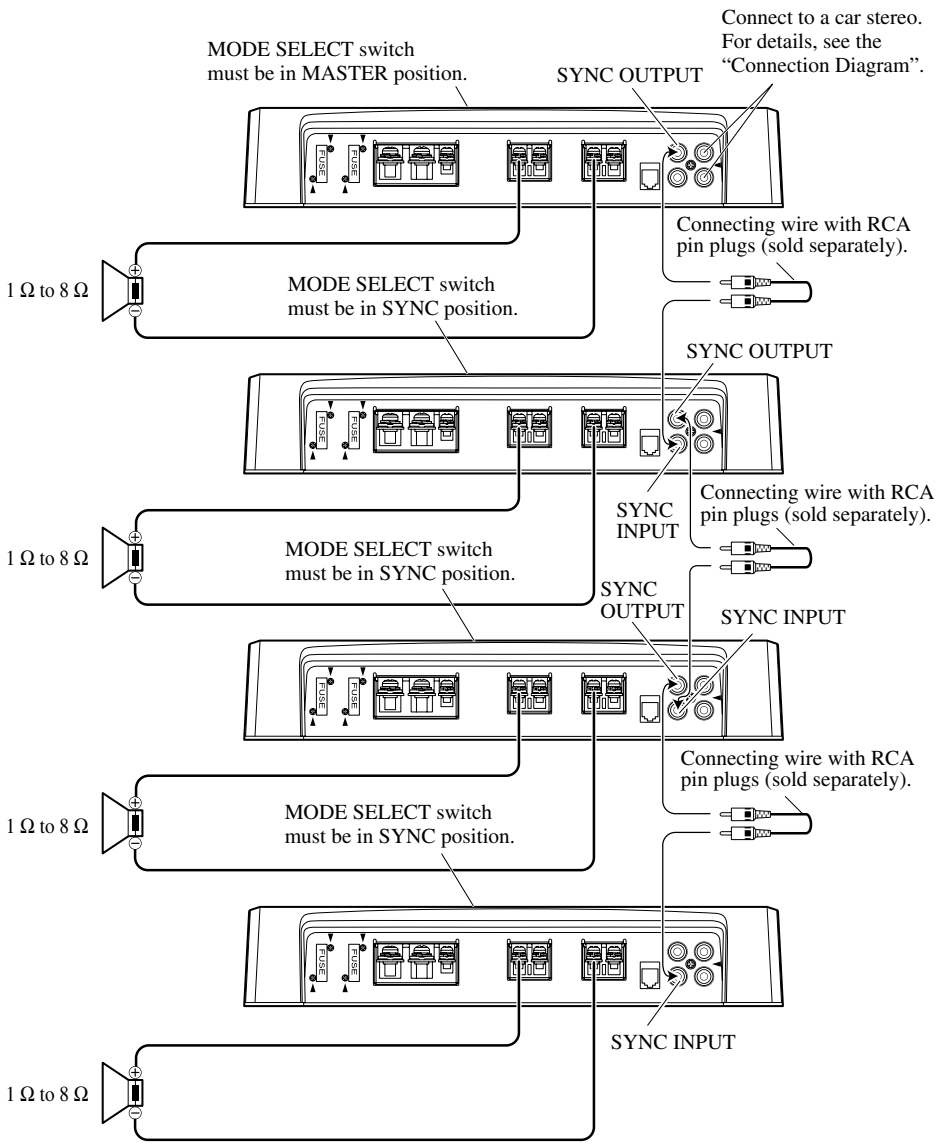
Connecting the Unit

Four Amplifier (Ex. Bridge)



- Only use speakers having an impedance of 2 Ω to 16 Ω. In addition, in the case of connecting multiple speakers with a bridge, check that the synthetic impedance is at least 2 Ω.
- The setting of the POWER MODE switch varies according to the speaker impedance. Slide the POWER MODE switch to the HI-CURRENT position if the impedance is from 2 Ω to less than 4 Ω, or slide it to the NORMAL position if the impedance is from 4 Ω to 16 Ω. The same setting is used for four amplifiers.
- When switching to the SYNC INV mode, the seal over the MODE SELECT switch must be peeled off and you can find SYNC INV switch. Peel off the seal after checking that connections are correct.

Four Amplifier



- Use speakers having an impedance from 1 Ω to 8 Ω .
- The setting of the POWER MODE switch varies according to the speaker impedance. See the "Setting the Unit" section for details. The same setting is used for four amplifiers.

CAUTION

- Do not install in:
 - Places where it could injure the driver or passengers if the vehicle stops suddenly.
 - Places where it may interfere with the driver, such as on the floor in front of the driver's seat.
- Make sure that wires are not caught in the sliding mechanism of the seats, resulting in a short-circuit.
- Confirm that no parts are behind the panel when drilling a hole for installation of the amplifier. Protect all cables and important equipment such as fuel lines, brake lines and electrical wiring from damage.
- Install tapping screws in such a way that the screw tip does not touch any wire. This is important to prevent wires from being cut by vibration of the car, which can result in fire.
- DO NOT allow amplifier to come into contact with liquids due to, for example, the location where the amplifier is installed. Electrical shock could result. Also, amplifier and speaker damage, smoke, and overheating could result from contact with liquids. In addition, the amplifier surface and the surface of any attached speakers could become hot to the touch and minor burns could result.
- To ensure proper installation, use the supplied parts in the manner specified. If any parts other than the supplied ones are used, they may damage internal parts of the amplifier, or they may become loose causing the amplifier to shut down.
- Never replace the fuse with one of greater value or rating than the original fuse. Use of an improper fuse could result in overheating and smoke and could cause damage to the product and injury including burns.

CAUTION:

To prevent malfunction and/or injury

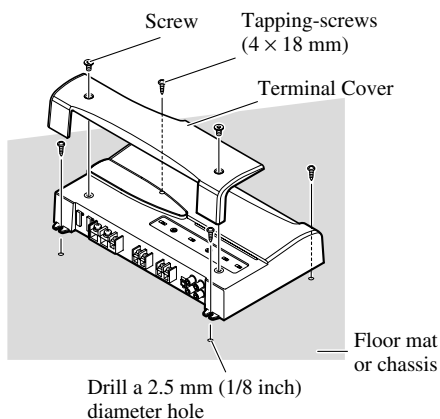
- To ensure proper heat dissipation of the amplifier, be sure of the following during installation.
 - Allow adequate space above the amplifier for proper ventilation.
 - Do not cover the amplifier with a floor mat or carpet.
- DO NOT allow amplifier to come into contact with liquids due to, for example, the location where the amplifier is installed. Electrical shock could result. Also, amplifier and speaker damage, smoke, and overheating could result from contact with liquids. In addition, the amplifier surface and the surface of any attached speakers could become hot to the touch and minor burns could result.
- Do not install the amplifier on unstable places such as the spare tire board.
- The best location for installation differs with the car model and installation location. Secure the amplifier at a sufficiently rigid location.
- Make temporary connections first and check that the amplifier and the system operate properly.
- After installing the amplifier, confirm that the spare tire, jack and tools can be easily removed.

Example of installation on the floor mat or on the chassis

1. Place the amplifier where it is to be installed. Insert the supplied tapping screws (4×18 mm) into the screw holes. Push on the screws with a screwdriver so they make marks where the installation holes are to be located.
2. Drill 2.5 mm (1/8 inch) diameter holes at the point marked, and install the amplifier, either on the carpet or directly to the chassis.

Replacing the terminal cover

1. Align the unit and terminal cover, and insert the screw.
2. Tighten the screw with a 4 mm hexagonal wrench.



Specifications

Power source	14.4 V DC (10.8 V to 15.1 V allowable)
Grounding system	Negative type
Current consumption	39 A (at continuous power, 4 Ω)
Average current drawn*	12 A (4 Ω for one channel) 20 A (2 Ω for one channel) 28 A (1 Ω for one channel)
Fuse (external)	40 A \times 2
Dimensions	304 (W) \times 56 (H) \times 202 (D) mm [12 (W) \times 2-1/4 (H) \times 8 (D) in.]
Weight	3.0 kg (6.6 lbs.) (Leads for wiring not included)
Maximum power output	800 W \times 1 (4 Ω) / 1 200 W \times 1 (1 Ω to 2 Ω)
Continuous power (14.4 V)	NORMAL mode: 4 Ω , 20 Hz to 240 Hz, \leq 1.0% THD, 400 W \times 1 2 Ω , 100 Hz, \leq 1.0% THD, 600 W \times 1 HI-CURRENT mode: 4 Ω , 20 Hz to 240 Hz, \leq 1.0% THD, 150 W \times 1 2 Ω , 100 Hz, \leq 1.0% THD, 300 W \times 1 1 Ω , 100 Hz, \leq 1.0% THD, 600 W \times 1
Load impedance	4 Ω (1 Ω to 8 Ω allowable)
Frequency response	10 Hz to 240 Hz (+0 dB, -3 dB)
S/N ratio	92 dB (IHF-A network)
Distortion	0.5 % (10 W, 100 Hz)
Low pass filter	Cut off frequency: 40 Hz to 240 Hz Cut off slope: -18 dB/oct
Subsonic filter (HPF)	Frequency: 20 Hz Slope: -18 dB
Bass boost	Frequency: 50 Hz Level: 0 / 6 / 9 / 12 dB
Gain control	RCA: 400 mV to 6.5 V SP: 1.6 V to 26 V
Maximum input level / impedance	RCA: 6.5 V / 22 k Ω SP: 26 V / 90 k Ω

Power output	NORMAL mode: 400 W RMS \times 1 channel (at 4 Ω and \leq 1% THD+N) 600 W RMS \times 1 channel (at 100 Hz, 2 Ω and \leq 1% THD+N) HI-CURRENT mode: 150 W RMS \times 1 channel (at 4 Ω and \leq 1% THD+N) 300 W RMS \times 1 channel (at 100 Hz, 2 Ω and \leq 1% THD+N) 600 W RMS \times 1 channel (at 100 Hz, 1 Ω and \leq 1% THD+N)
S/N ratio	66 dBA (reference: 1 W into 4 Ω)



Note:

- Specifications and the design are subject to possible modification without notice due to improvements.

*Average current drawn

- The average current drawn is nearly the maximum current drawn by this unit when an audio signal is input. Use this value when working out total current drawn by multiple power amplifiers.

Avant d'utiliser cet appareil	1
Enregistrement du produit	2
Quelques mots concernant cet appareil	2
PRÉCAUTION	2
ATTENTION	2
Réglage de l'appareil	3
Couvre-bornes	3
Témoin d'alimentation	3
Sélecteur infrasonore	3
Commande de l'accentuation des graves	3
Interrupteur BFC (Commande de fréquence de battement)	3
Commutateur MODE SELECT	4
Commande du gain	4
Commande de la fréquence de coupure pour LPF	4
Sélecteur d'entrée	4
Commutateur POWER MODE	4
Raccordement de l'appareil	5
Schéma de raccordement	6
Raccordement de la borne d'alimentation	7
Raccordement des bornes de sortie vers les haut-parleurs	8
Utilisation de l'entrée de haut-parleur	8
Connexion des câbles des haut-parleurs	9
Installation	13
Exemple d'installation sur le tapis de sol ou sur le châssis	14
Remise en place du couvre-bornes	14
Caractéristiques techniques	15

Nous vous remercions d'avoir porté votre choix sur un appareil PIONEER. Il a été conçu et fabriqué pour vous apporter de nombreuses années de satisfaction. En raison des problèmes posés par l'installation de cet appareil, Pioneer vous conseille de consulter un professionnel. Avant d'utiliser l'appareil, prenez connaissance de ce mode d'emploi et tout spécialement des **AVERTISSEMENTS**. Pour toute question concernant cet appareil, veuillez vous adresser au revendeur ou à l'installateur.

Service après-vente pour un produit Pioneer

Pour toute question, et en particulier pour toute question relative au service après-vente (y compris celles qui relèvent de la garantie), veuillez vous adresser au revendeur ou au distributeur auprès de qui vous avez acquis ce produit. Dans l'hypothèse où vous ne pourriez pas être renseigné comme vous le désirez, consultez l'une des sociétés mentionnées ci-dessous. N'expédiez pas le produit à l'une de ces sociétés, quelle qu'en soit la raison, avant d'y avoir été expressément invité.

■ Etats-Unis

Pioneer Electronics (USA) Inc.
CUSTOMER SUPPORT DIVISION
P.O. Box 1760
Long Beach, CA 90801-1760
800-421-1404

■ Canada

Pioneer électronique du Canada, Inc.
Département de service aux consommateurs
300 Allstate Parkway
Markham, Ontario L3R 0P2
1-877-283-5901

Pour toute question concernant la garantie, veuillez consulter le document Garantie Limitée qui accompagne le produit.

Enregistrement du produit

Rendez-nous visite sur le site suivant:

 <http://www.pioneerelectronics.com>

- 1 Enregistrez votre produit. Nous conserverons sur fichier les détails de votre achat pour vous permettre de vous reporter à ces informations en cas de déclaration de sinistre à votre assurance pour perte ou vol.
- 2 Recevez les mises à jour sur les derniers produits et les plus récentes technologies.
- 3 Téléchargez les manuels de l'utilisateur, commandez les catalogues des produits, recherchez de nouveaux produits, et bien plus.

Quelques mots concernant cet appareil

Cet appareil est un amplificateur pour haut-parleur d'extrême grave. Si les deux canaux, L (gauche) et R (droit), sont connectés à l'entrée cinch (RCA) de cet appareil, la sortie est mixée parce que cet appareil est un amplificateur monaural.

PRÉCAUTION

Ne remplacez pas le fusible par un fusible de plus grande valeur ou de plus grand calibre. L'utilisation d'un fusible inadapté peut entraîner une surchauffe et de la fumée, et peut provoquer l'endommagement de l'appareil et des blessures, y compris des brûlures.

ATTENTION

- Utilisez le faisceau de câbles de liaison à la batterie (un câble rouge et un câble de masse) qui est vendu séparément ([RD-223] et [RD-222]). Reliez le câble rouge à la borne positive (+) de la batterie et le câble de masse à la carrosserie du véhicule. Le fusible risque de griller si un seul de ce fils est connecté.
- Ne touchez pas l'amplificateur quand vous avez les mains mouillées, faute de quoi vous risquez de ressentir une secousse électrique. Pareillement, ne touchez pas l'amplificateur s'il est mouillé.
- Pour votre sécurité et celles des autres usagers de la route, maintenez le niveau d'écoute à une valeur telle que les bruits de la circulation demeurent nettement perceptibles.
- Si le fusible monté sur le câble de liaison à la batterie, câble qui est vendu séparément, a grillé ou bien s'il en est ainsi de celui de l'amplificateur, vérifiez soigneusement toutes les connexions d'alimentation. Recherchez la cause de l'anomalie puis corrigez-la; enfin, remplacez le fusible grillé par un fusible de même taille et de même calibre.
- Pour éviter d'endommager l'amplificateur et les haut-parleurs, le circuit de protection coupe l'alimentation de l'amplificateur (les sons ne sont plus émis) dès que survient une situation anormale. Dans ce cas, mettez l'ensemble des appareils hors tension et contrôlez les liaisons entre l'amplificateur et les haut-parleurs. Le cas échéant, recherchez la cause de l'anomalie et corrigez-la.
- Consultez le revendeur si vous n'êtes pas en mesure de résoudre le problème qui se pose à vous.
- Pour éviter toute secousse électrique et tout risque de court-circuit au cours des opérations de raccordement et d'installation, n'oubliez pas de débrancher le câble relié au pôle négatif de la batterie (-) avant d'effectuer quelque opération que ce soit.
- Avant d'effectuer un perçage requis par l'installation de l'amplificateur, assurez-vous que vous pouvez le faire sans danger pour les câbles, canalisations, flexibles, etc., qui sont placés derrière le panneau que vous devez percer.
- NE LAISSEZ PAS l'amplificateur entrer en contact avec des liquides à cause, par exemple, de l'emplacement où il a été placé. Cela pourrait entraîner une secousse électrique. De plus, le contact avec un liquide pourrait endommager l'amplificateur et les enceintes, produire de la fumée ou surchauffer l'appareil. Enfin, la surface de l'amplificateur et des enceintes connectées peut devenir chaude au toucher et entraîner de légères brûlures.

Couvre-bornes

Avant de mettre l'appareil en place, dévissez les vis avec un tournevis à pointe hexagonale de 4 mm et retirez le couvre-bornes.

Témoin d'alimentation

Ce témoin s'éclaire lorsque l'amplificateur est sous tension.

Sélecteur infrasonore

Le filtre infrasonore coupe les fréquences inférieures à 20 Hz afin de supprimer les vibrations indésirables et de réduire les pertes de puissance.

Commande de l'accentuation des graves

Vous pouvez choisir un niveau d'accentuation de 0, 6, 9 ou 12 dB. Pour connaître la manière de relier le boîtier de télécommande d'accentuation des graves à l'amplificateur, reportez-vous à la section "Schéma de raccordement".

Interrupteur BFC (Commande de fréquence de battement)

L'interrupteur BFC se trouve sous l'appareil. Si vous entendez un battement pendant l'écoute d'une transmission AM avec votre autoradio, changer la position de l'interrupteur BFC en utilisant un petit tournevis standard.

Commutateur MODE SELECT

Vous pouvez sélectionner le mode de synchronisation de l'amplificateur, à savoir MASTER, SYNC et SYNC INV. Réglez le commutateur MODE SELECT sur la position MASTER si vous utilisez uniquement un amplificateur. Si vous utilisez deux amplificateur ou plus en combinaison et connecteur de façon synchrone, réglez le premier amplificateur sur MASTER, et les amplificateurs restants sur SYNC ou SYNC INV en fonction de la façon dont ils sont connectés. Réglez le commutateur d'un amplificateur sur SYNC INV uniquement quand les amplificateurs sont connectés de façon synchrone avec un montage en pont ex. Pour pouvoir régler le commutateur sur SYNC INV, vous devez retirer le sceau qui se trouve par-dessus le commutateur MODE SELECT pour accéder au commutateur SYNC INV. Retirez le sceau après avoir vérifié que les connexions sont correctes. Pour en savoir plus sur le commutateur MODE SELECT, reportez-vous à la section "Connexion des câbles de haut-parleurs".

Commande du gain

Si le niveau d'écoute est faible même lorsque la commande de l'autoradio est sur la position correspondant au maximum, tournez la commande de gain dans le sens des aiguilles d'une montre. Inversement, si vous constatez de la distorsion lorsque vous augmentez le niveau de sortie de l'autoradio, tournez cette commande dans le sens contraire des aiguilles d'une montre.

- Choisissez la position NORMAL si l'autoradio stéréo est équipé de prises Cinch (RCA) (niveau de sortie standard à 500 mV). Si cet appareil est utilisé conjointement avec un autoradio stéréo Pioneer pourvu de prises Cinch (RCA) sur lesquelles peuvent se trouver une tension de sortie de 4 V ou plus, réglez le niveau en fonction du niveau de sortie de l'autoradio.
- Si vous notez que le bruit est trop élevé quand vous utilisez les prises d'entrée pour haut-parleur, tournez la commande de gain dans le sens contraire des aiguilles d'une montre.

Commande de la fréquence de coupure pour LPF

La fréquence de coupure peut être choisie entre 40 Hz et 240 Hz.

Sélecteur d'entrée

Il est possible d'entrer des signaux à partir de la sortie extérieure d'un autoradio ou de la sortie d'enceinte d'un autoradio. Réglez le sélecteur d'entrée avant de mettre l'appareil sous tension. Une fonction de protection met l'appareil hors tension si vous essayez de régler le sélecteur quand l'appareil est sous tension car sinon un son fort pourrait être émis des haut-parleurs. Lors de l'utilisation d'une sortie extérieure, faites glisser le sélecteur sur la gauche. Pour les instructions de connexion, reportez-vous à la section "Schéma de raccordement". Lors de l'utilisation de la sortie de haut-parleur, faites glisser le sélecteur sur la droite. Dans ce cas, il est nécessaire d'utiliser le cordon d'entrée de haut-parleur muni de fiches Cinch (RCA) fourni. Pour les détails, reportez-vous à la section "Utilisation de l'entrée de haut-parleur".

Commutateur POWER MODE

Lors de l'utilisation de haut-parleurs d'une impédance synthétique de 2 Ω à 8 Ω , faites glisser le commutateur sur la droite (NORMAL). Lors de l'utilisation de haut-parleurs d'une impédance synthétique de 1 Ω à moins de 2 Ω , faites glisser le commutateur sur la gauche (HI-CURRENT). Ces réglages sont utilisés uniquement lors de l'utilisation d'un amplificateur unique. Reportez-vous à la section "Connexion des haut-parleurs" quand vous combinez l'utilisation de plusieurs amplificateurs.

Si l'impédance des haut-parleurs dépasse 2 Ω (4 Ω lors de l'utilisation d'une connexion en pont ex.), bien que le commutateur POWER MODE puisse être réglé sur HI-CURRENT, le régler sur la position NORMAL permet de profiter d'un son plus puissant.



PRÉCAUTION

- Pour éviter tout risque de court-circuit ou d'endommager cet appareil, débranchez le câble relié à la borne négative (-) de la batterie, au niveau de cette borne.
 - Fixez les câbles au moyen de colliers ou du ruban adhésif. Lorsque l'isolant du câble peut être endommagé par une pièce métallique, assurez sa protection en le gainant de ruban adhésif.
 - Faites cheminer les câbles en évitant les zones chaudes telles que les bouches du chauffage. La chaleur peut endommager l'isolant et il peut en résulter un court-circuit si l'âme du câble vient en contact avec la carrosserie.
 - Assurez-vous que les câbles ne gênent en rien la manoeuvre des organes mobiles tels que rails de siège mais aussi levier de frein de stationnement, pédale de frein, etc.
- Veillez à ce qu'aucun câble ne soit en court-circuit, faute de quoi le circuit de protection pourrait être dans l'incapacité de remplir son office.
 - N'alimentez pas un appareil par un piquage sur le câble qui alimente un autre appareil. Ce câble n'a peut-être pas la section suffisante pour supporter sans danger l'intensité consommée par les deux appareils.
 - Ne remplacez pas le fusible par un fusible de plus grande valeur ou de plus grand calibre. L'utilisation d'un fusible inadapté peut entraîner une surchauffe et de la fumée, et peut provoquer l'endommagement de l'appareil et des blessures, y compris des brûlures.



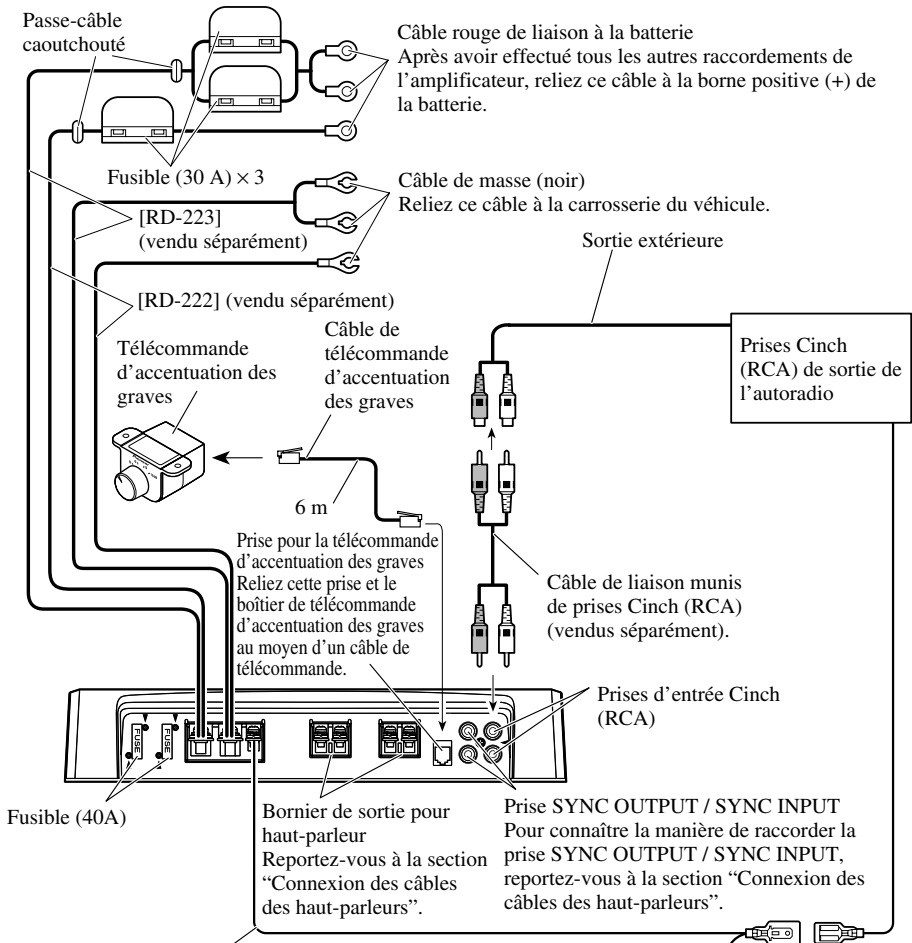
PRÉCAUTION:

Pour éviter toute anomalie ou blessure

- Ne reliez pas à la masse le câble (-) d'un haut-parleur; ne reliez pas ensemble plusieurs câbles négatifs de haut-parleurs.
 - Cet appareil est conçu pour les véhicules alimentés par une batterie 12 V dont le pôle négatif est à la masse. Avant d'installer cet appareil, contrôlez la tension de la batterie.
 - Si vous conservez l'autoradio en fonctionnement alors que le moteur est arrêté ou tourne au ralenti, la batterie peut être déchargée au bout d'un certain temps. Pour éviter cela, mettez l'autoradio hors tension.
 - Si le câble de commande à distance de l'amplificateur est relié à la borne d'alimentation par l'intermédiaire du contacteur d'allumage (12 V CC), l'amplificateur sera sous tension dès que vous mettez le contact, et cela quelle que soit la situation de l'autoradio. En conséquence, la batterie peut être rapidement déchargée si le moteur ne tourne pas, ou tourne au ralenti.
 - NE RACCORDEZ PAS un haut-parleur d'extrêmes graves dont l'impédance serait inférieure à celle prescrite dans la section "Raccordement de l'appareil". Il pourrait en résulter un endommagement de l'amplificateur, voire de la production de fumée accompagnée de surchauffe. La surface de l'amplificateur pourrait s'échauffer au point de causer des brûlures légères.
- Reliez l'un de ces trois caissons de graves à l'amplificateur; 1: un caisson de graves ayant une puissance admissible de 420 W ou mieux et une impédance de 4 Ω , 2: un caisson de graves ayant une puissance admissible de 600 W ou mieux et une impédance de 2 Ω ou 3: un caisson de graves ayant une puissance admissible de 600 W ou mieux et une impédance de 1 Ω . Si l'entrée nominale et l'impédance sont au-dessus de ces plages, le haut-parleur d'extrême grave risque de prendre feu, d'émettre de la fumée ou d'être endommagé.
 - Installez le câble de liaison à la batterie, vendu séparément, et faites-le cheminer aussi loin que possible des câbles de liaison aux haut-parleurs. Installez le câble de liaison à la batterie, vendu séparément, le câble de masse, les câbles de liaison aux haut-parleurs et l'amplificateur aussi loin que possible de l'antenne, du câble d'antenne et du syntoniseur.
- Les câbles de cet appareil et ceux d'autres appareils peuvent fort bien ne pas être de la même couleur bien que remplissant la même fonction. Pour relier cet appareil à un autre appareil, utilisez le manuel d'installation de chacun et effectuez les raccordements en ne tenant compte que de la fonction de chaque câble.

Schéma de raccordement

- Ce schéma montre les connexions en utilisant une sortie extérieure. Faites glisser le sélecteur d'entrée sur la gauche.
- Dans le cas de la connexion de la sortie extérieure d'un autoradio stéréo à une entrée Cinch (RCA), utilisez la prise utilisée pour une sortie à gamme étendue, car le canal PDF de l'amplificateur ne peut pas être mis hors service. Si cette prise ne peut pas être utilisée, connectez la prise de sortie du haut-parleur d'extrêmes graves à l'entrée Cinch (RCA).
- Si vous réalisez une connexion avec une sortie de haut-parleur extérieur, les connexions diffèrent de ce schéma. Pour les détails, reportez-vous à la section "Utilisation de l'entrée de haut-parleur". Dans chaque cas, vous devez régler le sélecteur d'entrée correctement. Pour les détails, reportez-vous à la section "Réglage de l'appareil".
- Utilisez le faisceau de câbles de liaison à la batterie (un câble rouge et un câble de masse) qui est vendu séparément ([RD-223] et [RD-222]). Reliez le câble rouge à la borne positive (+) de la batterie et le câble de masse à la carrosserie du véhicule. Le fusible risque de griller si un seul de ce fils est connecté.



Câble de commande à distance d'alimentation (vendu séparément)

Reliez la fiche mâle de ce câble à la borne de commande à distance de l'autoradio (SYSTEM REMOTE CONTROL). La fiche femelle doit être reliée à la prise de commande de l'antenne motorisée. Si l'autoradio ne possède pas de prise pour commande à distance de la mise sous tension, reliez la fiche mâle à une borne d'alimentation en passant par le contacteur d'allumage.

Download from www.Somanuals.com. All Manuals Search And Download.

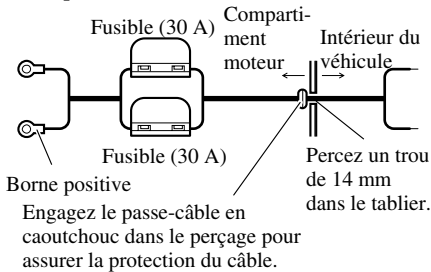
Raccordement de la borne d'alimentation

- Utilisez le faisceau de câbles de liaison à la batterie (un câble rouge et un câble de masse) qui est vendu séparément ([RD-223] et [RD-222]). Reliez le câble rouge à la borne positive (+) de la batterie et le câble de masse à la carrosserie du véhicule. Le fusible risque de griller si un seul de ce fils est connecté.

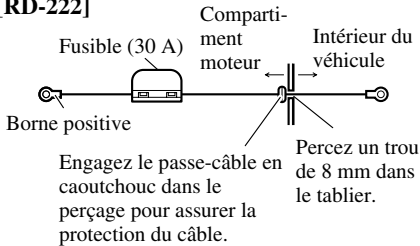
1. Faites passer le câble de liaison à la batterie du compartiment moteur vers l'intérieur du véhicule.

- Après avoir effectué tous les autres raccordements de l'amplificateur, reliez la borne d'alimentation de l'amplificateur à la borne positive (+) de la batterie.

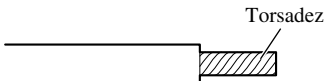
[RD-223]



[RD-222]

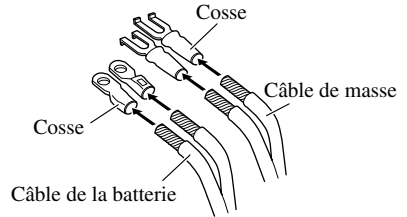


2. Torsadez le câble de la batterie, celui de masse et celui de la commande à distance.



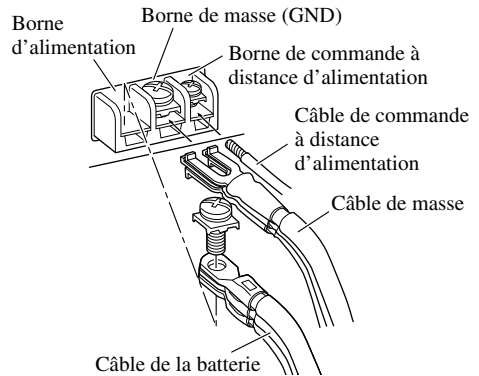
3. Fixez une cosse à l'extrémité de chaque câble. Les cosses ne sont pas fournies.

- Utilisez un outil spécial, etc., pour sertir la cosse sur le câble.



4. Reliez les câbles aux bornes.

- Serrez soigneusement les câbles au moyen des vis.

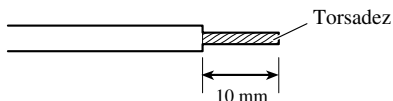


⚠ ATTENTION

Faute de serrer soigneusement le câble de batterie sur la borne au moyen d'une vis de borne, une élévation importante de température de la borne peut se produire et provoquer dommages et blessures, y compris brûlures légères.

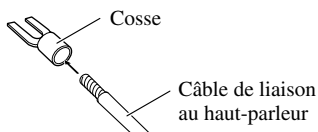
Raccordement des bornes de sortie vers les haut-parleurs

1. **Dénudez l'extrémité des câbles de liaison aux haut-parleurs par une pince ou un couteau sur 10 mm environ et torsadez les brins des câbles.**



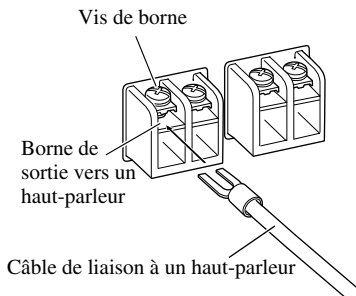
2. **Fixez une cosse à l'extrémité de chaque câble de haut-parleur. Les cosses ne sont pas fournies.**

- Utilisez un outil spécial, etc., pour sertir la cosse sur le câble.



3. **Reliez les câbles de liaisons aux haut-parleurs aux bornes de sortie vers les haut-parleurs.**

- Serrez soigneusement les cosses au moyen des vis.

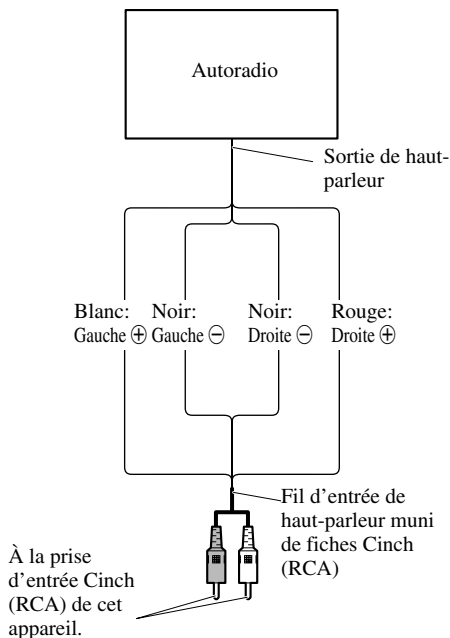


Utilisation de l'entrée de haut-parleur

Connectez les fils de sortie de haut-parleur de l'autoradio à l'amplificateur en utilisant le fil d'entrée de haut-parleur muni de fiches Cinch (RCA) fourni.

- Faites glisser le sélecteur d'entrée sur la droite.

■ Connexion lors de l'utilisation de l'entrée de haut-parleur



- Comme le fil de sortie de haut-parleur de l'autoradio est connecté à l'amplificateur, ce dernier se met automatiquement sous tension quand l'autoradio est mis sous tension. Il n'est pas nécessaire de connecter le câble de commande à distance dans ce cas.
- Dans le cas où l'amplificateur et l'appareil principal sont connectés en utilisant un fil d'entrée de haut-parleur muni de fiches Cinch (RCA), l'amplificateur est mis sous tension uniquement quand un des amplificateurs est utilisé. Si deux amplificateurs ou plus sont connectés en combinaison de façon synchrone, connectez l'appareil principal et tous les amplificateurs avec le câble de commande à distance d'alimentation.

Remarque:

- Connectez le câble de commande à distance l'amplificateur ne se met pas sous tension en même temps que l'autoradio.

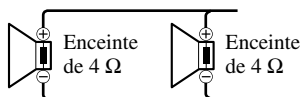
Connexion des câbles des haut-parleurs

Connectez les câbles de haut-parleurs et réglez le commutateur MODE SELECT et le commutateur POWER MODE correctement en fonction de la configuration et des illustrations ci-dessous et de la page suivante.

- Lors de la connexion de deux amplificateurs ou plus en combinaison de façon synchrone, utilisez uniquement ces amplificateurs. Ne les mélangez pas avec d'autres amplificateurs.
- Lors de la connexion de deux amplificateurs ou plus en combinaison de façon synchrone, réglez la commande de gain, le sélecteur infrasonore, la commande de coupure pour LPF et la commande d'accentuation des graves sur l'amplificateur dont le commutateur MODE SELECT a été réglé sur MASTER. Ces réglages sont sans effet sur un amplificateur réglé sur SYNC ou SYNC INV.

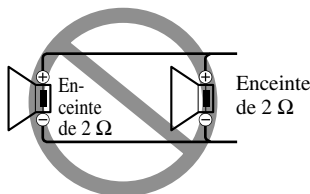
⚠ PRÉCAUTION

Diagramme A - Correct



Branchement en pont de 2 Ω

Diagramme B - Incorrect



Branchement en pont de 1 Ω

NE PAS installer ou utiliser cet amplificateur en câblant des haut-parleurs de 2 Ω (ou moins) en parallèle pour obtenir un branchement en pont de 1 Ω (ou moins) (schéma B).

Ce type de branchement incorrect peut provoquer des détériorations, de la fumée et une surchauffe de l'amplificateur. Le boîtier de l'amplificateur peut aussi devenir chaud et être à l'origine de brûlures légères.

Pour installer ou utiliser correctement un branchement en pont et obtenir une charge de 2 Ω, câbler deux haut-parleurs de 4 Ω en parallèle avec Gauche + et Droite - (schéma A) ou utiliser un seul haut-parleur de 2 Ω.

Si l'impédance synthétique est de 2 Ω à moins de 4 Ω, assurez-vous toujours que le commutateur POWER MODE est sur la position HI-CURRENT.

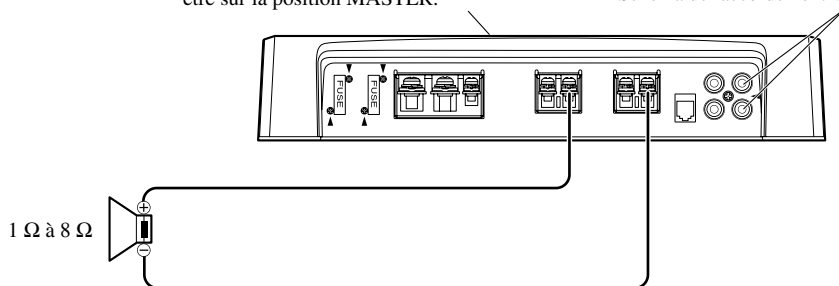
De plus, reportez-vous au manuel d'instructions des haut-parleurs pour en savoir plus sur la procédure de connexion correcte.

Amplificateur unique

Le commutateur MODE SELECT doit être sur la position MASTER.

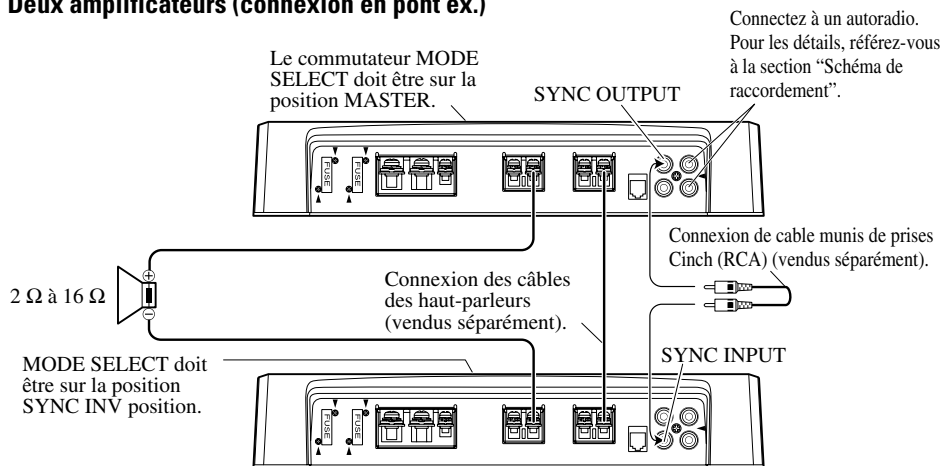
Connectez à un autoradio.

Pour les détails, référez-vous à la section "Schéma de raccordement".



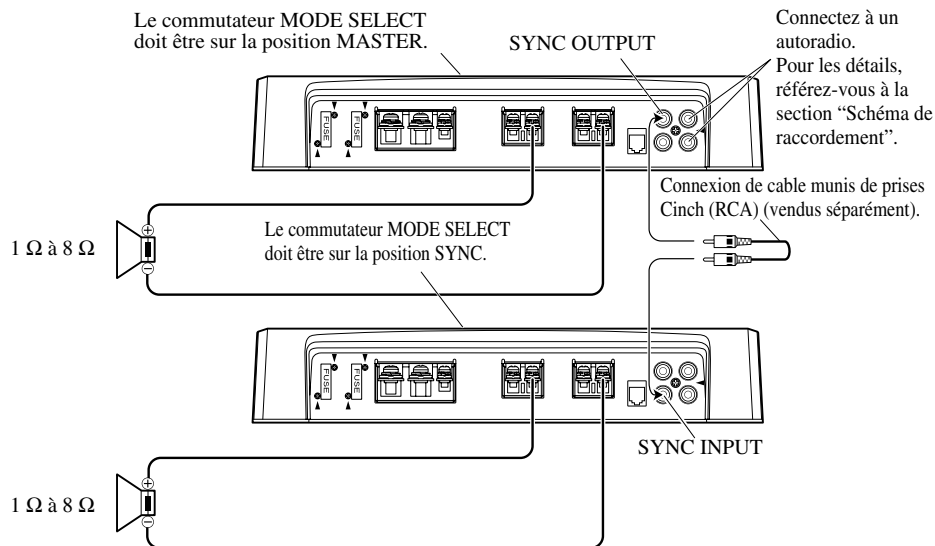
- Utilisez des haut-parleurs avec une impédance comprise entre 1 Ω et 8 Ω.
- Le réglage du commutateur POWER MODE varie en fonction de l'impédance des enceintes. Reportez-vous à la section "Réglage de l'appareil" pour plus de détails.

Deux amplificateurs (connexion en pont ex.)



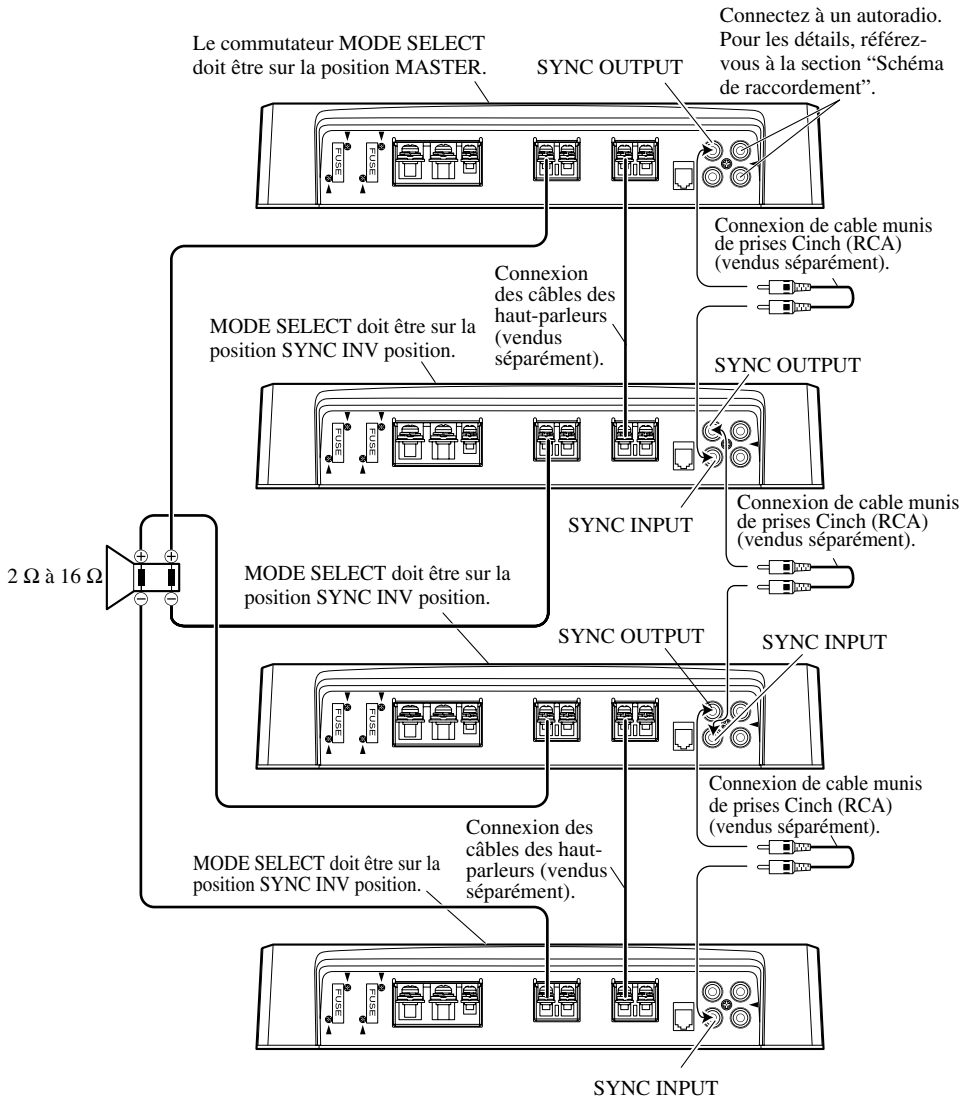
- Utilisez uniquement des haut-parleurs avec une impédance comprise entre 2 Ω et 16 Ω. De plus en cas de connexion de plusieurs haut-parleurs avec un pont, vérifiez que l'impédance synthétique est d'au moins 2 Ω.
- Le réglage du commutateur POWER MODE varie en fonction de l'impédance des haut-parleurs. Faites glisser le commutateur POWER MODE sur la position HI-CURRENT si l'impédance est de 2 Ω à moins de 4 Ω, ou faites glisser sur la position NORMAL si l'impédance est de 4 Ω à 16 Ω. Le même réglage est utilisé pour les deux amplificateurs.
- Pour pouvoir régler le commutateur sur SYNC INV, vous devez retirer le sceau qui se trouve par-dessus le commutateur MODE SELECT pour accéder au commutateur SYNC INV. Retirez le sceau après avoir vérifié que les connexions sont correctes.

Deux amplificateurs



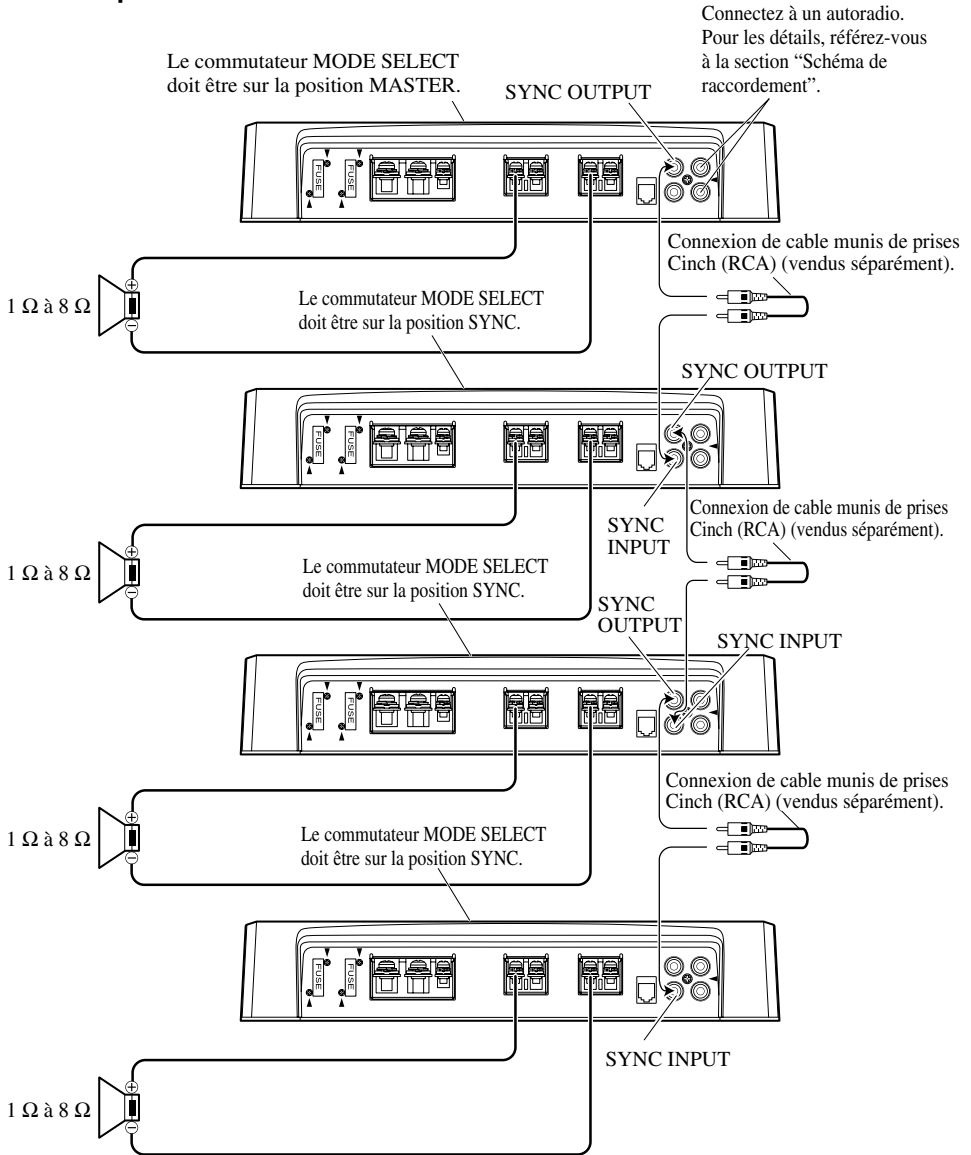
- Utilisez des haut-parleurs avec une impédance comprise entre 1 Ω et 8 Ω.
- Le réglage du commutateur POWER MODE varie en fonction de l'impédance des enceintes. Reportez-vous à la section "Réglage de l'appareil" pour plus de détails. Le même réglage est utilisé pour les deux amplificateurs.

Quatre amplificateurs (connexion en pont ex.)



- Utilisez uniquement des haut-parleurs avec une impédance comprise entre 2 Ω et 16 Ω . De plus en cas de connexion de plusieurs haut-parleurs avec un pont, vérifiez que l'impédance synthétique est d'au moins 2 Ω .
- Le réglage du commutateur POWER MODE varie en fonction de l'impédance des haut-parleurs. Faites glisser le commutateur POWER MODE sur la position HI-CURRENT si l'impédance est de 2 Ω à moins de 4 Ω , ou faites glisser sur la position NORMAL si l'impédance est de 4 Ω à 16 Ω . Le même réglage est utilisé pour les quatre amplificateurs.
- Pour pouvoir régler le commutateur sur SYNC INV, vous devez retirer le sceau qui se trouve par-dessus le commutateur MODE SELECT pour accéder au commutateur SYNC INV. Retirez le sceau après avoir vérifié que les connexions sont correctes.

Quatre amplificateurs



- Utilisez des haut-parleurs avec une impédance comprise entre 1 Ω et 8 Ω .
- Le réglage du commutateur POWER MODE varie en fonction de l'impédance des enceintes. Reportez-vous à la section "Réglage de l'appareil" pour plus de détails. Le même réglage est utilisé pour les quatre amplificateurs. Le même réglage est utilisé pour les quatre amplificateurs.



PRÉCAUTION

- N'installez pas l'appareil:
 - dans un endroit où il pourrait blesser un occupant du véhicule en cas d'arrêt brusque;
 - dans un endroit où il pourrait gêner le conducteur, par exemple devant son siège.
- Veillez à ce que les câbles ne puissent pas être pincés et endommagés par les sièges, ce qui peut conduire à un court-circuit.
- Avant d'effectuer un perçage requis par l'installation de l'amplificateur, assurez-vous que vous pouvez le faire sans danger pour les câbles, canalisations, flexibles, etc., qui sont placés derrière le panneau que vous devez percer.
- Posez les vis autotaraudeuses de manière que leur extrémité ne puisse pas endommager les câbles. Il est important que l'isolant d'un câble ne soit pas endommagé par le frottement sur une pièce, ce qui pourrait ultérieurement entraîner un court-circuit.
- **NE LAISSEZ PAS** l'amplificateur entrer en contact avec des liquides à cause, par exemple, de l'emplacement où il a été placé. Cela pourrait entraîner une secousse électrique. De plus, le contact avec un liquide pourrait endommager l'amplificateur et les enceintes, produire de la fumée ou surchauffer l'appareil. Enfin, la surface de l'amplificateur et des enceintes connectées peut devenir chaude au toucher et entraîner de légères brûlures.
- Pour effectuer convenablement l'installation, utilisez les pièces fournies et procédez comme il est indiqué. L'utilisation de pièces autres que celles fournies peut endommager l'amplificateur.
- Ne remplacez pas le fusible par un fusible de plus grande valeur ou de plus grand calibre. L'utilisation d'un fusible inadapté peut entraîner une surchauffe et de la fumée, et peut provoquer l'endommagement de l'appareil et des blessures, y compris des brûlures.



PRÉCAUTION:

Pour éviter toute anomalie de fonctionnement ou blessure

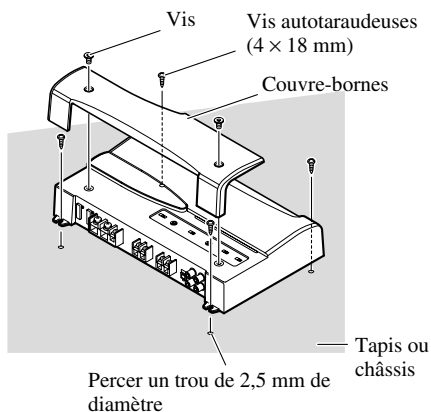
- Pour que la chaleur puisse se dissiper sans mal, respectez ce qui suit:
 - veillez à ce qu'un espace dégagé existe au-dessus de l'amplificateur;
 - ne recouvrez pas l'amplificateur d'un tapis ou d'une moquette.
- **NE LAISSEZ PAS** l'amplificateur entrer en contact avec des liquides à cause, par exemple, de l'emplacement où il a été placé. Cela pourrait entraîner une secousse électrique. De plus, le contact avec un liquide pourrait endommager l'amplificateur et les enceintes, produire de la fumée ou surchauffer l'appareil. Enfin, la surface de l'amplificateur et des enceintes connectées peut devenir chaude au toucher et entraîner de légères brûlures.
- N'installez pas l'amplificateur sur une surface instable telle que le tapis amovible cachant la roue de secours.
- Le meilleur emplacement d'installation dépend du véhicule, mais, quoi qu'il en soit, doit être rigide et solide.
- Effectuez tout d'abord des raccordements temporaires pour vous assurer que l'amplificateur et les autres appareils fonctionnent correctement.
- Choisissez un emplacement qui permette le retrait sans peine de la roue de secours, du cric et de la boîte à outils.

Exemple d'installation sur le tapis de sol ou sur le châssis

1. Posez l'amplificateur à l'emplacement choisi. Introduisez les vis autotaraudeuses fournies (4×18 mm) dans les perçages. Appuyez fermement sur les vis au moyen d'un tournevis pour marquer les points de perçage.
2. Percer des trous de 2,5 mm de diamètre aux emplacements marqués puis fixez l'amplificateur soit à travers le tapis, soit directement sur le châssis.

Remise en place du couvre-bornes

1. Alignez l'appareil et le couvre-bornes et insérez les vis.
2. Serrez les vis avec un tournevis à pointe hexagonale de 4 mm.



Caractéristiques techniques

Alimentation	14,4 V CC (10,8 V à 15,1 V permis)
Mise à la masse	Pôle négatif de la batterie
Consommation de courant	39 A (à la puissance continue, 4 Ω)
Consommation moyenne de courant*	12 A (4 Ω pour une voie) 20 A (2 Ω pour une voie) 28 A (1 Ω pour une voie)
Fusible (externe)	40 A × 2
Dimensions	304 (L) × 56 (H) × 202 (P) mm
Poids	3,0 kg (sans les câbles)
Puissance maximale de sortie	800 W × 1 (4 Ω) / 1 200 W × 1 (1 Ω à 2 Ω)
Puissance continue (14,4 V)	Mode NORMAL: 4 Ω, 20 Hz à 240 Hz, ≅ 1,0% DHT, 400 W × 1 2 Ω, 100 Hz, ≅ 1,0% DHT, 600 W × 1 Mode HI-CURRENT: 4 Ω, 20 Hz à 240 Hz, ≅ 1,0% DHT, 150 W × 1 2 Ω, 100 Hz, ≅ 1,0% DHT, 300 W × 1 1 Ω, 100 Hz, ≅ 1,0% DHT, 600 W × 1
Impédance de charge	4 Ω (1 Ω à 8 Ω permis)
Réponse en fréquence	10 Hz à 240 Hz (+0 dB, -3 dB)
Rapport signal/bruit	92 dB (réseau IHF-A)
Distorsion	0,5 % (10 W, 100 Hz)
Filtre passe-bas	Fréquence de coupure: 40 Hz à 240 Hz Pente: -18 dB/oct
Filtre infrasonore (HPF)	Fréquence: 20 Hz Pente: -18 dB
Accentuation des graves	Fréquence: 50 Hz Niveau: 0 / 6 / 9 / 12 dB
Commande de gain	RCA: 400 mV à 6,5 V SP: 1,6 V à 26 V
Niveau maximale / impédance d'entrée	RCA: 6,5 V / 22 kΩ SP: 26 V / 90 kΩ

Puissance de sortie	Mode NORMAL: 400 W eff. × 1 voie (pour 4 Ω et ≅ 1% DHT+N) 600 W eff. × 1 voie (pour 100 Hz, 2 Ω et ≅ 1% DHT+N)
	Mode HI-CURRENT: 150 W eff. × 1 voie (pour 4 Ω et ≅ 1% DHT+N) 300 W eff. × 1 voie (pour 100 Hz, 2 Ω et ≅ 1% DHT+N) 600 W eff. × 1 voie (pour 100 Hz, 1 Ω et ≅ 1% DHT+N)
Rapport signal/bruit66 dBA (référence: 1 W sur 4 Ω)



Remarque:

- Les caractéristiques et la présentation peuvent être modifiées sans avis préalable à fin d'amélioration.

* Consommation moyenne de courant

- Le courant moyen est proche du courant maximal lorsqu'un signal audio est appliqué à l'entrée de l'amplificateur. Utilisez cette valeur lorsque vous désirez calculer le courant total consommé par plusieurs amplificateurs de puissance.

Antes de usar este producto	1
Registro del producto	2
Sobre este producto	2
PRECAUCION	2
ADVERTENCIA	2
Ajuste de esta unidad	3
Cubierta de terminales	3
Indicador de alimentación	3
Interruptor selector subsónico	3
Control de refuerzo de graves	3
Interruptor BFC (Control de la frecuencia de batido)	3
Interruptor MODE SELECT	4
Control de ganancia	4
Control de frecuencia de corte para LPF	4
Interruptor de entrada	4
Interruptor POWER MODE	4
Conexión de la unidad	5
Diagrama de conexión	6
Conexión del terminal de alimentación	7
Conexión del terminal de salida de altavoz	8
Uso de la entrada de altavoz	8
Conexión de los cables de altavoces	9
Instalación	13
Ejemplo de instalación en la alfombra del piso o en el chasis	14
Recolocación de la cubierta de terminales	14
Especificaciones	15

Gracias por haber adquirido este producto PIONEER. Este producto ha sido diseñado para le proporcionar muchos años de disfrute.

PIONEER SUGIERE QUE SE PIDA LA INSTALACIÓN A UN ESPECIALISTA DE INSTALACIÓN DEBIDO A LA COMPLEJIDAD DE ESTE PRODUCTO.

Lea todas las instrucciones y **ADVERTENCIAS** en este manual antes de intentar operar el producto. En caso de cuestiones, póngase en contacto con su revendedor autorizado de Pioneer o con un especialista de instalación más próximo.

Servicio posventa para productos Pioneer

Póngase en contacto con el revendedor o distribuidor al que compró este producto para obtener el servicio posventa (incluidas las condiciones de garantía) o cualquier otra información. En caso de que no esté disponible la información necesaria, póngase en contacto con las empresas enumeradas abajo.

No envíe su producto para su reparación a las empresas cuyas direcciones se indican abajo sin haberse puesto antes en contacto con ellas.

■ EE.UU.

Pioneer Electronics (USA) Inc.
CUSTOMER SUPPORT DIVISION
P.O. Box 1760
Long Beach, CA 90801-1760
800-421-1404

■ CANADÁ

Pioneer Electronics of Canada, Inc.
CUSTOMER SATISFACTION
DEPARTMENT
300 Allstate Parkway
Markham, Ontario L3R OP2
1-877-283-5901

Para obtener información sobre la garantía, véase la hoja de Garantía limitada adjunta a este producto.

Registro del producto

Visítenos en el siguiente sitio:


<http://www.pioneerelectronics.com>

- 1 Registre su producto. Conservaremos los datos de su compra archivados para que pueda consultar esta información en el caso de que deba efectuar un reclamo al seguro ante una eventualidad tal como pérdida o robo.
- 2 Reciba informes actualizados sobre los últimos productos y tecnologías.
- 3 Descargue manuales de instrucciones, solicite catálogos de productos, busque nuevos productos y disfrute de muchos beneficios más.

Sobre este producto

Este producto es un amplificador para altavoz de subgraves. Si ambos los canales L (izquierdo) y R (derecho) se conectan a la entrada RCA de este producto, la salida se mezcla ya que este producto es un amplificador monofónico.

PRECAUCION

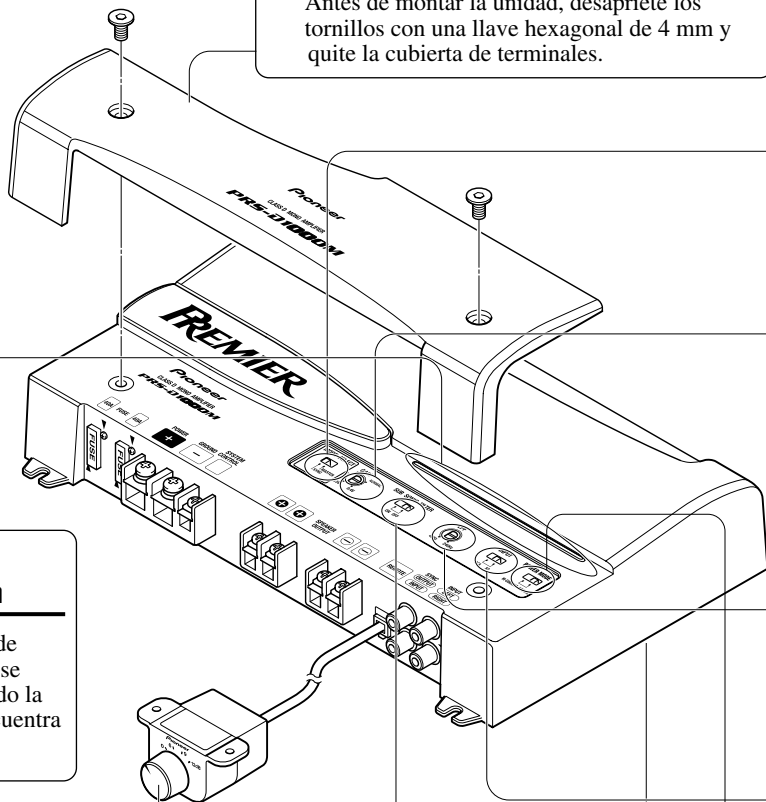
No reemplace nunca el fusible por uno con un valor de régimen mayor que el fusible original. El uso de un fusible inadecuado podría causar el sobrecalentamiento o humo, así como podría causar daños al producto y lesiones, incluyendo quemaduras.

ADVERTENCIA

- Siempre utilice el cable de batería rojo especial y los cables de tierra ([RD-223] y [RD-222]), vendidos separadamente. Conecte el cable de batería directamente al terminal positivo de la batería del vehículo (+) y el cable de tierra a la carrocería del vehículo. Existe el riesgo de quemado del fusible si se conecta solamente uno de ellos.
- No toque en el amplificador con las manos mojadas. Caso contrario, usted puede llevar un choque eléctrico. Igualmente, no toque en el amplificador cuando esté mojado.
- Para seguridad del tráfico y para mantener condiciones de conducción seguras, mantenga el volumen suficientemente bajo de manera que aun se pueda escuchar el sonido del tráfico normal.
- Verifique las conexiones del suministro de energía y altavoces para ver si el fusible del cable de batería vendido separadamente o el fusible del amplificador se queman. Detecte la causa y solucione el problema, y reemplace el fusible con un otro del mismo tamaño y régimen.
- Para evitar mal funcionamiento del amplificador y altavoces, el circuito de protección cortará la alimentación al amplificador (el sonido se detendrá) cuando se produzca una situación anormal. En tal caso, apague el sistema y verifique la conexión de la alimentación y altavoces. Detecte la causa y resuelva el problema.
- Contacte a su distribuidor si no puede detectar la causa.
- Para evitar choques eléctricos o cortocircuitos durante la conexión e instalación, asegúrese de desconectar el terminal negativo (-) de la batería antes de proceder.
- Confirme que ninguna parte quede detrás del panel, cuando perfore un orificio para la instalación del amplificador. Asegúrese de proteger todos los cables y equipos importantes, tales como líneas de combustibles, líneas de frenos y el cableado eléctrico.
- NO permita que el amplificador entre en contacto con líquidos debido a, por ejemplo, la localización donde el amplificador esté instalado. Esto podría causar una sacudida eléctrica. El contacto con líquidos también podría causar daños y sobrecalentamiento al amplificador e altavoces. Además, la superficie del amplificador y la superficie de cualquier altavoz instalado también podrían ponerse muy calientes al tacto, pudiendo causar pequeñas quemaduras.

Cubierta de terminales

Antes de montar la unidad, desapriete los tornillos con una llave hexagonal de 4 mm y quite la cubierta de terminales.



Indicador de alimentación

El indicador de alimentación se ilumina cuando la unidad se encuentra activada.

Control de refuerzo de graves

Se puede seleccionar un nivel de refuerzo de graves de 0, 6, 9 y 12 dB.

Para las instrucciones acerca de la conexión del control remoto de refuerzo de graves al amplificador, consulte la sección "Diagrama de conexión".

Interruptor selector subsónico

El filtro subsónico corta las frecuencias inaudibles inferiores a 20 Hz, para eliminar las vibraciones indeseables y minimizar la pérdida de potencia.

Interruptor BFC (Control de la frecuencia de batido)

El interruptor BFC se encuentra en la parte inferior de la unidad. Si se oye un batido durante la escucha de una transmisión AM con el equipo estéreo de automóvil, cambie el interruptor BFC utilizando un destornillador pequeño.

Interruptor MODE SELECT

Puede seleccionar el modo de sincronización de amplificador entre MASTER, SYNC y SYNC INV. Ajuste el interruptor MODE SELECT a la posición MASTER cuando utilice un amplificador solamente. Cuando utilice en sincronismo, conectando dos o más amplificadores en combinación, ajuste el primer amplificador a MASTER, y ajuste los amplificadores restantes a SYNC o SYNC INV de acuerdo con la forma en que estén conectados. La única vez que se cambia el amplificador al modo SYNC INV es cuando los amplificadores están conectados sincrónicamente con el puente externo. Cuando cambie el modo SYNC INV, debe quitar el sello sobre el interruptor MODE SELECT y podrá encontrar el interruptor SYNC INV. Quite el sello después de comprobar que las conexiones estén correctas. Consulte la sección “Conexión de los hilos de altavoz” para los detalles sobre el interruptor MODE SELECT.

Control de ganancia

Si el nivel del sonido está muy bajo, aún cuando se aumenta el volumen del equipo estéreo para automóvil usado con este amplificador de potencia, gire a la derecha el control de ganancia. Si hay distorsión del sonido cuando se aumenta el volumen del equipo estéreo de automóvil, gire los controles a la izquierda.

- Cuando se usa un estéreo de automóvil equipado con RCA (salida estándar de 500 mV), ajuste a la posición NORMAL. Cuando use con un estéreo de automóvil Pioneer equipado con RCA con una salida máxima de 4 V o más, ajuste el nivel para adecuarse al nivel de salida del estéreo del automóvil.
- Si se oye ruido excesivo cuando se usan los terminales de entrada de altavoz, gire el control de nivel a la izquierda.

Control de frecuencia de corte para LPF

Se puede seleccionar una frecuencia de corte de 40 Hz a 240 Hz.

Interruptor de entrada

Es posible introducir desde la salida exterior de un equipo estéreo de automóvil o desde la salida de altavoz de un equipo estéreo de automóvil. Cambie el interruptor de entrada antes de encender la unidad. Como cambiar el interruptor de entrada con la unidad encendida puede generar un ruido alto por los altavoces, la unidad se apaga por una función de protección. Cuando utilice una salida exterior, deslice el interruptor hacia la izquierda. Para las instrucciones de instalación, consulte la sección “Diagrama de conexión”. Cuando utilice una salida de altavoz, deslice el interruptor hacia la derecha. En este caso, es necesario utilizar el hilo de entrada de altavoz suministrado con el cable con conector RCA. Para los detalles, consulte la sección “Uso de la entrada de altavoz”.

Interruptor POWER MODE

Cuando utilice altavoces con una impedancia sintética de 2 a 8 Ω , deslice el interruptor hacia la derecha (NORMAL). Cuando utilice altavoces con una impedancia sintética de 1 Ω a menos de 2 Ω , deslice el interruptor hacia la izquierda (HI-CURRENT). Esas configuraciones se utilizan solamente cuando se utiliza un único amplificador. Consulte la sección “Conexión de los hilos de altavoz” cuando combine varios amplificadores.

Si la impedancia de los altavoces excede de 2 Ω (4 Ω cuando utilice el puente externo), mientras se pueda ajustar el interruptor POWER MODE a la posición HI-CURRENT, ajustar a la posición NORMAL permite el disfrute de un sonido de alta potencia.



PRECAUCION

- Quite el terminal negativo (–) de la batería para evitar riesgo de cortocircuitos y daño a la unidad.
 - Asegure el alambrado con abrazaderas de cable o cinta adhesiva. Para proteger el alambrado, envuelva cinta adhesiva alrededor de ellos en donde contacta con partes metálicas.
 - No tienda cables por donde puedan calentarse, por ejemplo donde el calentador sople sobre ellos. Si la aislación se calienta, podría resultar dañada, resultando en cortocircuito a través de la carrocería del vehículo.
 - Asegúrese que los alambres no interfieran con partes móviles del vehículo como la palanca de cambios, el freno de mano o el mecanismo de deslizamiento de los asientos.
- No corte ningún cable. De otra manera, el circuito de protección podría no funcionar cuando debiera.
 - Nunca alimente otro equipo cortando la aislación del cable de alimentación y conectándolo al cable. La capacidad de corriente del cable será excedida, causando sobrecalentamiento.
 - No reemplace nunca el fusible por uno con un valor de régimen mayor que el fusible original. El uso de un fusible inadecuado podría causar el sobrecalentamiento o humo, así como podría causar daños al producto y lesiones, incluyendo quemaduras.



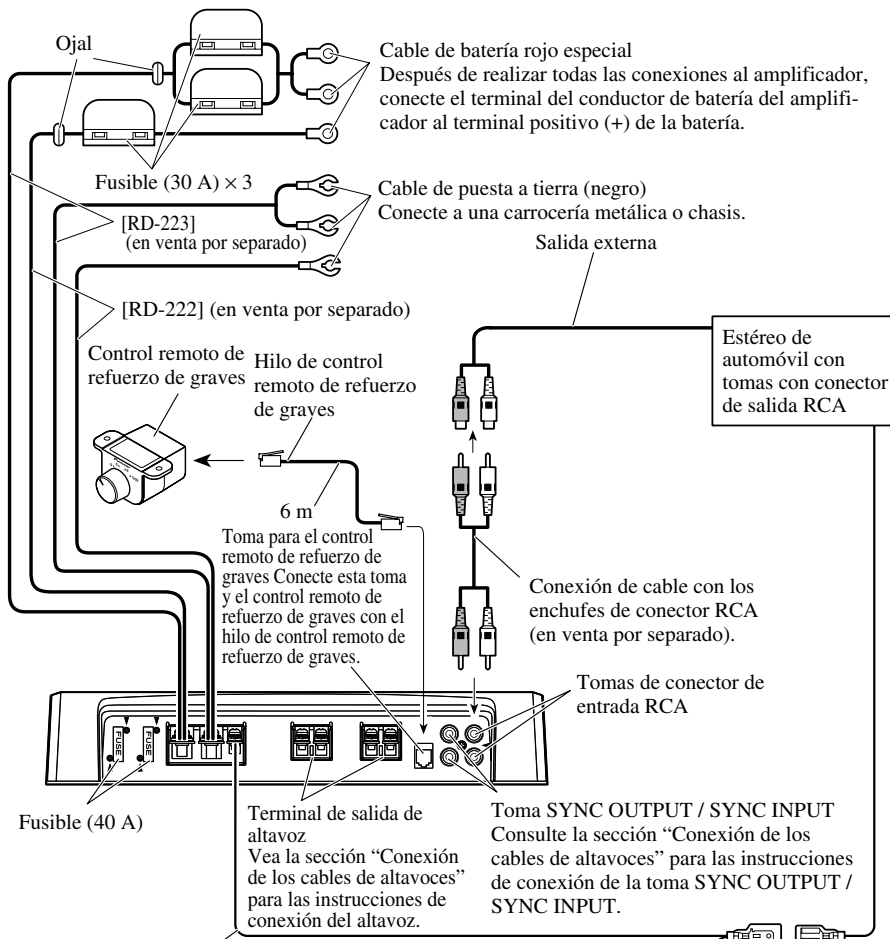
PRECAUCION:

Para evitar daños y/o lesiones

- No conecte a tierra (masa) el cable del altavoz directamente ni conecte un cable negativo (–) a varios altavoces.
 - Esta unidad es para vehículos con una batería de 12 voltios y terminal negativo a tierra. Antes de instalar en un vehículo de recreación, camión u ómnibus, verifique el voltaje de la batería.
 - Si el sistema estereofónico del coche está funcionando por un largo período de tiempo mientras el motor permanece inactivo o en marcha al ralentí, la batería puede agotarse. Apague el estéreo de automóvil cuando el motor se encuentre funcionando en marcha al ralenté o permanece inactivo.
 - Si el cable del control remoto del sistema del amplificador se conecta al terminal de alimentación a través del interruptor de encendido (12 V de CC), el amplificador estará siempre activado cuando el encendido está activado, sin considerar si el estéreo de automóvil se encuentra activado o desactivado. Debido a esto, la batería puede agotarse si deja el motor funcionando en marcha al ralentí o permanece inactivo.
 - NO conecte un altavoz de subgraves con una impedancia inferior a la especificada en la sección “Conexión de la unidad”. Una conexión no especificada podría causar daños, desprendimiento de humo y sobrecalentamiento del amplificador. La superficie del amplificador también podría ponerse caliente al tacto y esto podría resultar en quemaduras ligeras.
- Conecte uno de los tres altavoces de subgraves al amplificador; 1: un altavoz de subgraves con una entrada nominal de 420 W o mayor y una impedancia de 4 Ω , 2: un altavoz con una entrada nominal de 600 W y una impedancia de 2 Ω o 3: un altavoz con una entrada nominal de 600 W y una impedancia de 1 Ω . Si la entrada nominal y la impedancia están fuera de los rangos arriba, el altavoz de subgraves puede incendiarse, emitir humo o averiarse.
 - Instale y coloque el cable de batería vendido separadamente lo más alejado posible de los cables de los altavoces. Instale y coloque el cable de batería y cable de tierra vendidos separadamente, los cables de los altavoces, y el amplificador lo más alejados posible de la antena, cable de antena y sintonizador.
- Los cables para esta unidad y aquéllas para las unidades pueden ser de colores diferentes aun si tienen la misma función. Cuando se conecta esta unidad a otra, refiérase a los manuales de instalación de ambas unidades y conecte los cables que tienen la misma función.

Diagrama de conexión

- Este diagrama muestra las conexiones utilizando la salida exterior. Deslice el interruptor de entrada hacia la izquierda.
- En el caso de conectar la salida externa de un equipo estéreo de automóvil a una entrada RCA, utilice la toma para la salida de gama completa. La razón para esto es que no se puede desactivar el LPF del amplificador. Si no se puede utilizar esta toma, conecte la tomada de salida el altavoz de subgraves a la entrada RCA.
- Cuando conecte con la salida de altavoz, las conexiones difieren de las indicadas en el diagrama. Para los detalles, consulte la sección "Uso de la entrada de altavoz". En cualquier caso, se requiere ajustar el interruptor de entrada. Para los detalles, consulte la sección "Ajuste de esta unidad".
- Siempre utilice el cable de batería rojo especial y los cables de tierra ([RD-223] y [RD-222]), vendidos separadamente. Conecte el cable de batería directamente al terminal positivo de la batería del vehículo (+) y el cable de tierra a la carrocería del vehículo. Existe el riesgo de quemado del fusible si se conecta solamente uno de ellos.



Cable del control remoto del sistema (en venta por separado)

Conecte el terminal macho de este hilo al terminal de control remoto de sistema del equipo estéreo para automóvil (SYSTEM REMOTE CONTROL). El terminal hembra puede ser conectado al terminal de control del relé de antena. Si el estéreo de automóvil no tiene un terminal de control remoto del sistema, conecte el terminal macho al terminal de alimentación a través del interruptor de encendido.

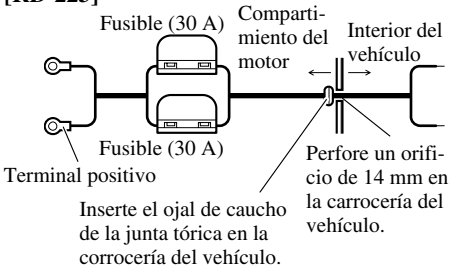
Conexión del terminal de alimentación

- Siempre utilice el cable de batería rojo especial y los cables de tierra ([RD-223] y [RD-222]), vendidos separadamente. Conecte el cable de batería directamente al terminal positivo de la batería del vehículo (+) y el cable de tierra a la carrocería del vehículo. Existe el riesgo de quemado del fusible si se conecta solamente uno de ellos.

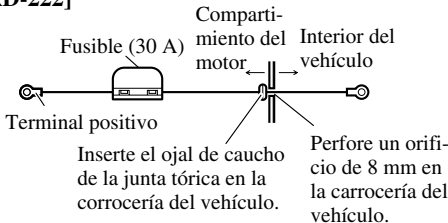
1. Pase el cable de batería desde el compartimiento del motor al interior del vehículo.

- Luego de hacer todas las otras conexiones al amplificador, conecte el terminal del conductor de batería del amplificador al terminal positivo (+) de la batería.

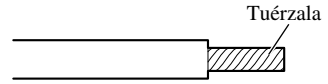
[RD-223]



[RD-222]

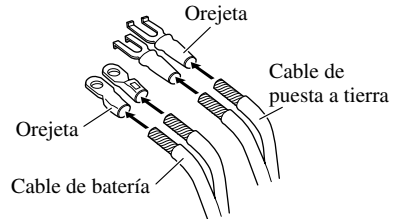


2. Tuerza el cable de batería, cable de puesta a tierra y cable de control remoto del sistema.



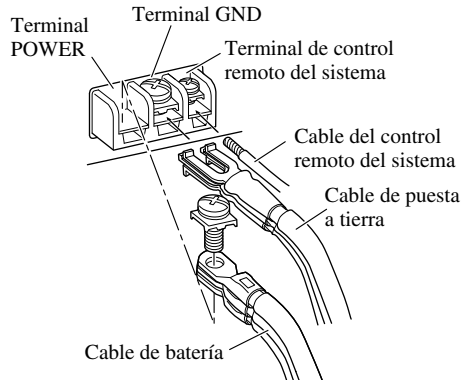
3. Fije las orejetas a los extremos de los cables. Orejetas no suministrados.

- Utilice alicates, etc. para plegar las orejetas a los cables.



4. Conecte los cables al terminal.

- Fijar los cables firmemente utilizando los tornillos para terminales.

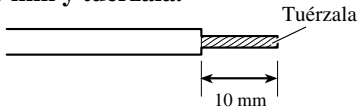


⚠ ADVERTENCIA

Dejar de apretar firmemente el cable de puesta a tierra al terminal usando los tornillos para terminales podría causar el sobrecalentamiento del área de los terminales, así como podría causar daños y lesiones incluyendo pequeñas quemaduras.

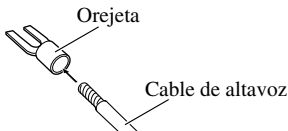
Conexión del terminal de salida de altavoz

1. **Desnude la extremidad de los cables de altavoces utilizando alicates o una tajadera por aproximadamente 10 mm y tuérzala.**



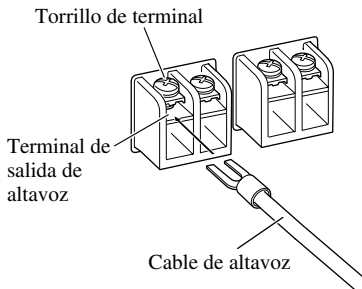
2. **Fije las orejetas a los extremos de los cables de altavoz. Orejetas no suministrados.**

- Utilice alicates, etc. para plegar las orejetas a los cables.



3. **Conecte los cables de altavoz al terminal de salida de altavoz.**

- Fije los cables firmemente utilizando los tornillos para terminales.

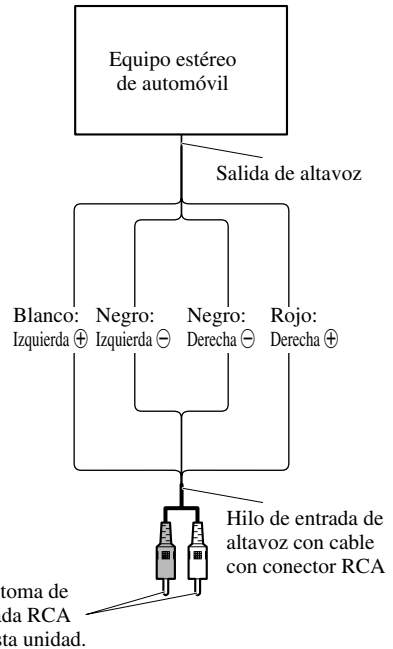


Uso de la entrada de altavoz

Conecte los hilos de salida de altavoz del equipo estéreo de automóvil al amplificador utilizando el hilo de entrada de altavoz suministrado con el cabo con conector RCA.

- Deslice el interruptor de entrada hacia la derecha.

■ Conexiones cuando se utiliza la entrada de altavoz



- Cuando se conecta el hilo de salida de altavoz del equipo estéreo de automóvil al amplificador, el amplificador se enciende automáticamente cuando se enciende el equipo estéreo de automóvil. En este caso, no es necesario conectar el hilo de control remoto de sistema.
- Si se conecta el amplificador y la unidad principal con un hilo de entrada de altavoz con cable de clavija RCA, sólo se puede encender el amplificador cuando se está utilizando otro amplificador. Si dos o más amplificadores están conectados sincrónicamente en combinación, conecte la unidad principal y todos los amplificadores con el hilo de control remoto de sistema.

Nota:

- Conecte el hilo de control remoto de sistema cuando el amplificador no se enciende cuando se enciende el equipo estéreo de automóvil.

Conexión de los cables de altavoces

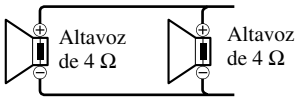
Conecte los hilos de altavoz y ajuste el interruptor MODE SELECT y el interruptor POWER MODE de acuerdo con la configuración que se utilice refiriéndose a las figuras que se muestran a continuación y en la página siguiente.

- Cuando conecte sincrónicamente dos o más amplificadores en combinación, utilice solamente estos amplificadores. No mezcle estos amplificadores con otros amplificadores.
- Cuando conecte sincrónicamente dos o más amplificadores en combinación, ajuste el control de ganancia, interruptor de selección subsónica, control de frecuencia de corte para LPF y control de refuerzo de graves en el amplificador que ha ajustado a MASTER con el interruptor MODE SELECT. Estas configuraciones se desactivan cuando se ajusta un amplificador a SYNC o SYNC INV.



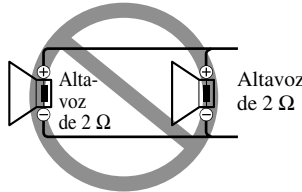
PRECAUCION

Diagrama A - Correcto



Modo de conexión en puente de 2 Ω

Diagrama B - Incorrecto



Modo de conexión en puente de 1 Ω

NO instale o use este amplificador mediante la conexión de los cables de las bocinas de 2 Ω nominales (o menos) en paralelo para lograr un modo en puente de 1 Ω (o menos) (Diagrama B).

Realizar un puente incorrecto podría resultar en un sobrecalentamiento y daño del amplificador, así como en un desprendimiento de humo del mismo. La superficie del amplificador podría también ponerse caliente al tacto y resultar en quemaduras ligeras.

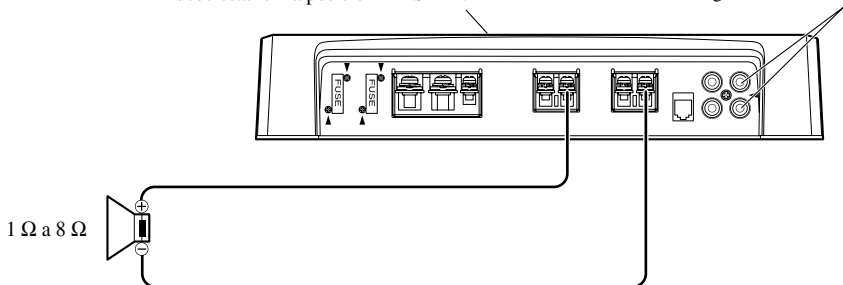
Para instalar o usar adecuadamente el modo de puente y lograr una carga de 2 Ω , conecte los cables de dos bocinas de 4 Ω en paralelo con Izquierdo + y Derecho - (Diagrama A), o use una sola bocina de 2 Ω . Si la impedancia sintética es de 2 Ω a menos de 4 Ω , asegúrese siempre de ajustar el introducir POWER MODE a la posición HI-CURRENT.

Además, consulte el manual de instrucciones de los altavoces para más información sobre el procedimiento correcto de conexión.

Amplificador simple

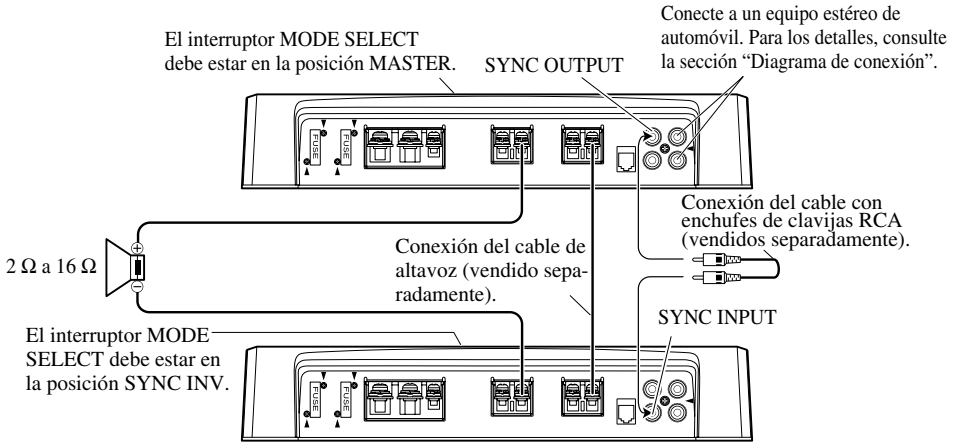
El interruptor MODE SELECT debe estar en la posición MASTER.

Conecte a un equipo estéreo de automóvil. Para los detalles, consulte la sección "Diagrama de conexión".



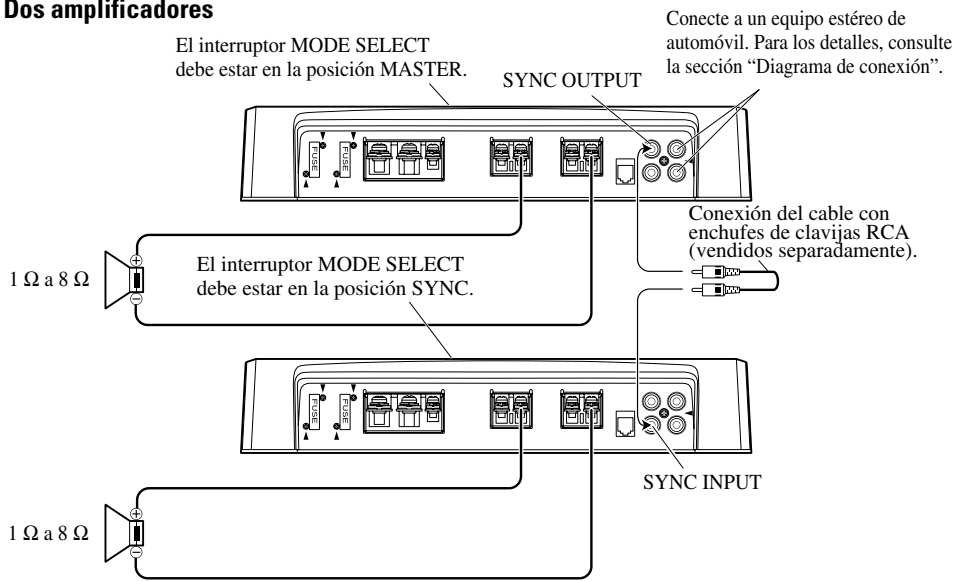
- Utilice altavoces con una impedancia de 1 Ω a 8 Ω .
- El ajuste del interruptor POWER MODE varía de acuerdo con la impedancia de los altavoces. Para los detalles, consulte la sección "Ajuste de esta unidad".

Dos amplificadores (Punto externo)



- Utilice solamente altavoces con una impedancia de 2 Ω a 16 Ω. Además, en el caso de conectar múltiples altavoces con un puente, compruebe que la impedancia sintética sea de por lo menos 2 Ω.
- El ajuste del interruptor POWER MODE varía de acuerdo con la impedancia de los altavoces. Deslice el interruptor POWER MODE a la posición HI-CURRENT si la impedancia es de 2 Ω a menos de 4 Ω, o deslícelo a la posición NORMAL si la impedancia es de 4 Ω a 16 Ω. Se utiliza la misma configuración para ambos amplificadores.
- Cuando cambie el modo SYNC INV, debe quitar el sello sobre el interruptor MODE SELECT y podrá encontrar el interruptor SYNC INV. Quite el sello después de comprobar que las conexiones estén correctas.

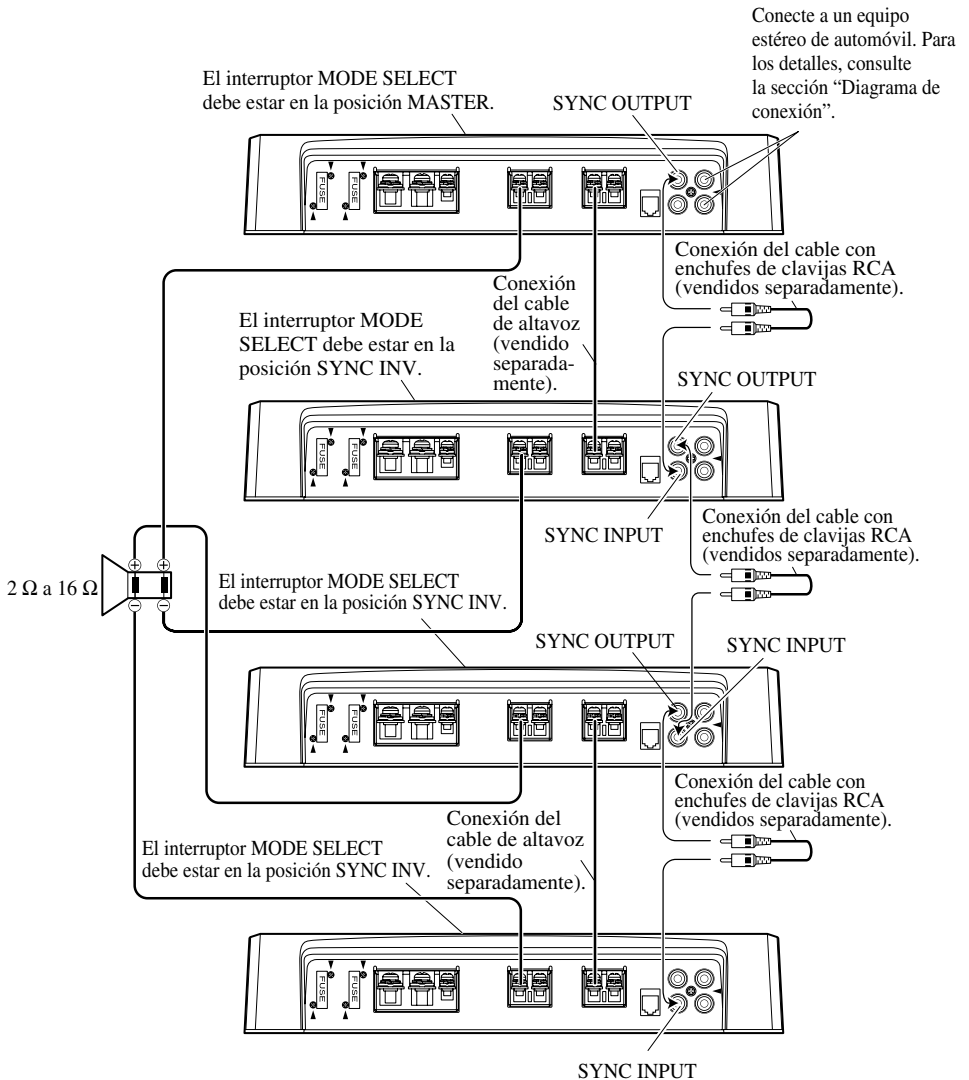
Dos amplificadores



- Utilice altavoces con una impedancia de 1 Ω a 8 Ω.
- El ajuste del interruptor POWER MODE varía de acuerdo con la impedancia de los altavoces. Para los detalles, consulte la sección "Ajuste de esta unidad". Se utiliza la misma configuración para ambos amplificadores.

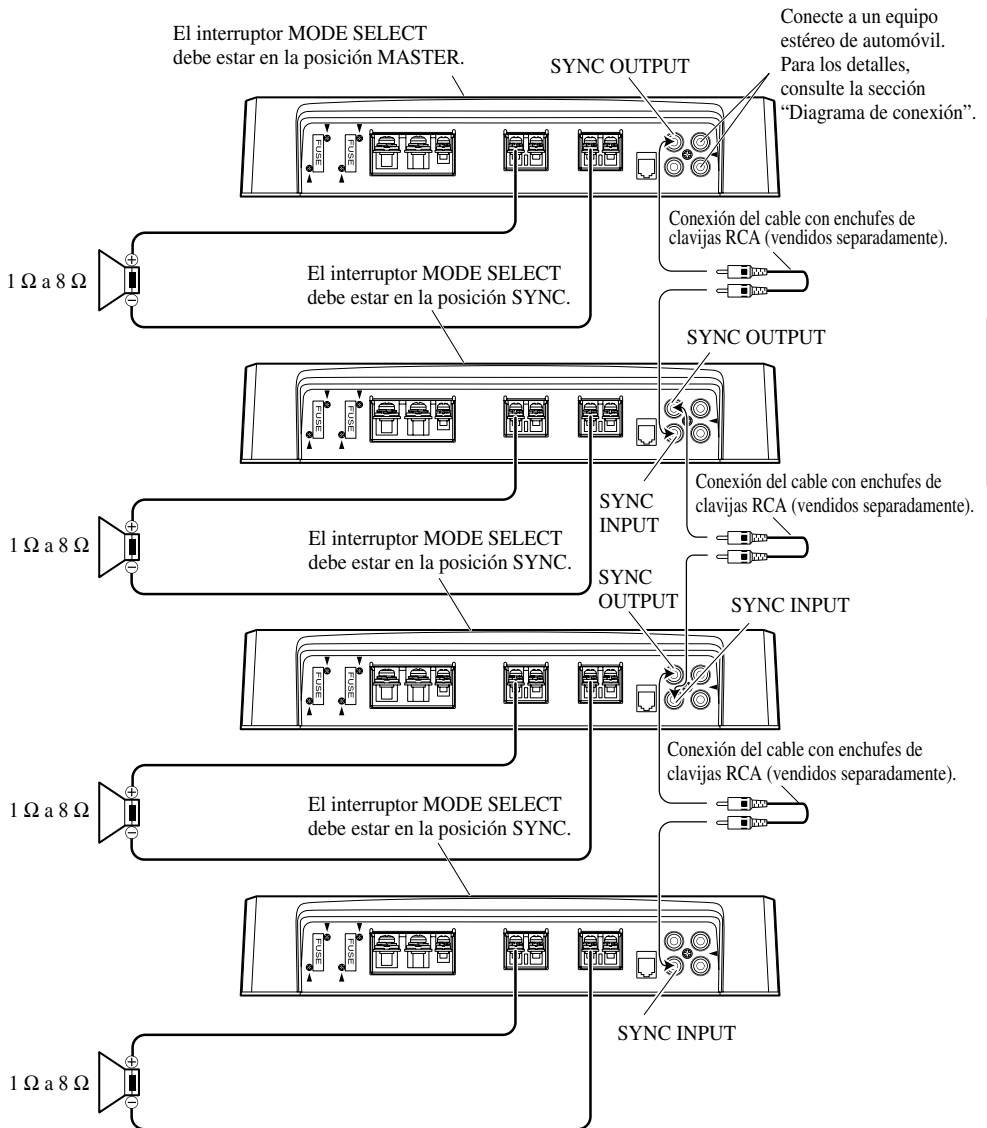
Conexión de la unidad

Cuatro amplificadores (Puente externo)



- Utilice solamente altavoces con una impedancia de 2 Ω a 16 Ω. Además, en el caso de conectar múltiples altavoces con un puente, compruebe que la impedancia sintética sea de por lo menos 2 Ω.
- El ajuste del interruptor POWER MODE varía de acuerdo con la impedancia de los altavoces. Deslice el interruptor POWER MODE a la posición HI-CURRENT si la impedancia es de 2 Ω a menos de 4 Ω, o deslícelo a la posición NORMAL si la impedancia es de 4 Ω a 16 Ω. Se utiliza la misma configuración para los cuatro amplificadores.
- Cuando cambie el modo SYNC INV, debe quitar el sello sobre el interruptor MODE SELECT y podrá encontrar el interruptor SYNC INV. Quite el sello después de comprobar que las conexiones estén correctas.

Cuatro amplificadores



- Utilice altavoces con una impedancia de 1 Ω a 8 Ω .
- El ajuste del interruptor POWER MODE varía de acuerdo con la impedancia de los altavoces. Para los detalles, consulte la sección "Ajuste de esta unidad". Se utiliza la misma configuración para los cuatro amplificadores.



PRECAUCION

- No lo instale en:
 - Donde podría lesionar al conductor o a los pasajeros si se detiene el vehículo bruscamente.
 - Donde podría interferir con el conductor, como por ejemplo en el piso en frente al asiento del conductor.
- Asegúrese que los cables no se enganchen en el mecanismo deslizante de los asientos, resultando en cortocircuito.
- Confirme que ninguna parte quede detrás del panel, cuando perforo un orificio para la instalación del amplificador. Asegúrese de proteger todos los cables y equipos importantes, tales como líneas de combustibles, líneas de frenos y el cableado eléctrico.
- Instale los tornillos de conexión de manera tal que la punta del tornillo no toque ningún cable. Esto es importante para evitar que los cables se corten por vibración del automóvil, lo que podría causar un incendio.
- NO permita que el amplificador entre en contacto con líquidos debido a, por ejemplo, la localización donde el amplificador esté instalado. Esto podría causar una sacudida eléctrica. El contacto con líquidos también podría causar daños y sobrecalentamiento al amplificador e altavoces. Además, la superficie del amplificador y la superficie de cualquier altavoz instalado también podrían ponerse muy calientes al tacto, pudiendo causar pequeñas quemaduras.
- Para asegurar una instalación apropiada, utilice las partes suministradas de la manera especificada. Si se utiliza cualquier otra parte que no sean las suministradas, puede dañarse las partes internas del amplificador, o pueden aflojarse y el amplificador puede dejar de funcionar.
- No reemplace nunca el fusible por uno con un valor de régimen mayor que el fusible original. El uso de un fusible inadecuado podría causar el sobrecalentamiento o humo, así como podría causar daños al producto y lesiones, incluyendo quemaduras.



PRECAUCION:

Para evitar fallas de funcionamiento y/o lesiones

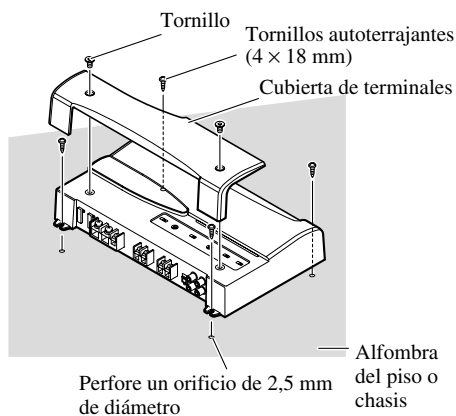
- Para asegurar la disipación de calor apropiada del amplificador, cuide de lo siguiente durante la instalación.
 - Permita un espacio adecuado en la parte superior del amplificador para una ventilación apropiada.
 - No cubra el amplificador con la cubierta de piso o alfombra.
- NO permita que el amplificador entre en contacto con líquidos debido a, por ejemplo, la localización donde el amplificador esté instalado. Esto podría causar una sacudida eléctrica. El contacto con líquidos también podría causar daños y sobrecalentamiento al amplificador e altavoces. Además, la superficie del amplificador y la superficie de cualquier altavoz instalado también podrían ponerse muy calientes al tacto, pudiendo causar pequeñas quemaduras.
- No instale el amplificador sobre superficies inestables como el tablero del neumático de repuesto.
- Confirme que ninguna parte quede detrás del panel, cuando perforo un orificio para la instalación del amplificador. Asegúrese de proteger todos los cables y equipos importantes, tales como líneas de combustibles, líneas de frenos y el cableado eléctrico.
- Realice primero conexiones provisionarias y compruebe que el amplificador y el sistema operan adecuadamente.
- Para asegurar una instalación apropiada, utilice las partes suministradas de la manera especificada. Si se utiliza cualquier otra parte que no sean las suministradas, puede dañarse las partes internas del amplificador, o pueden aflojarse y el amplificador puede dejar de funcionar.

Ejemplo de instalación en la alfombra del piso o en el chasis

1. Ubique el amplificador en la posición en donde va a ser instalado. Inserte los tornillos autoterrajantes suministrados (4×18 mm) en los orificios de los tornillos. Presione los tornillos con un destornillador de modo que puedan dejar puntos marcados de la posición en donde irán los orificios para la instalación.
2. Perfore orificios de 2,5 mm de diámetro en el punto marcado, e instale el amplificador, ya sea en la alfombra o directamente en el chasis.

Recolocación de la cubierta de terminales

1. Alinee la unidad y la cubierta de terminales, e inserte el tornillo.
2. Apriete el tornillo con una llave hexagonal de 4 mm.



Especificaciones

Alimentación	14,4 V CC (10,8 V a 15,1 V permisible)
Sistema de puesta a tierra	Tipo negativo
Consumo de corriente	39 A (potencia continua, 4 Ω)
Consumo de corriente promedio*	12 A (4 Ω para uno canal) 20 A (2 Ω para uno canal) 28 A (1 Ω para uno canal)
Fusible (externo)	40 A \times 2
Dimensiones	304 (An) \times 56 (Al) \times 202 (Pr) mm
Peso	3,0 kg (No se incluyen los conductores para el cableado)
Potencia de salida máxima	800 W \times 1 (4 Ω) / 1 200 W \times 1 (1 Ω a 2 Ω)
Potencia continua (14,4 V)	Modo NORMAL: 4 Ω , 20 Hz a 240 Hz, \leq 1,0% THD, 400 W \times 1 2 Ω , 100 Hz, \leq 1,0% THD, 600 W \times 1 Modo HI-CURRENT: 4 Ω , 20 Hz a 240 Hz, \leq 1,0% THD, 150 W \times 1 2 Ω , 100 Hz, \leq 1,0% THD, 300 W \times 1 1 Ω , 100 Hz, \leq 1,0% THD, 600 W \times 1
Impedancia de carga	4 Ω (1 Ω a 8 Ω permisible)
Respuesta de frecuencia	10 Hz a 240 Hz (+0 dB, -3 dB)
Relación S/N	92 dB (rede IHF-A)
Distorsión	0,5% (10 W, 100 Hz)
Filtro de paso bajo	Frecuencia de corte: 40 Hz a 240 Hz Pendiente de corte: -18 dB/oct
Filtro subsónico (HPF)	Frecuencia: 20 Hz Pendiente: -18 dB
Intensificación de los graves	Frecuencia: 50 Hz Nivel: 0 / 6 / 9 / 12 dB
Control de ganancia	RCA: 400 mV a 6,5 V SP: 1,6 V a 26 V
Impedancia / nivel de entrada máxima	RCA: 6,5 V / 22 k Ω SP: 26 V / 90 k Ω

Potencia de salida	Modo NORMAL: 400 W RMS \times 1 canal (a 4 Ω y \leq 1% THD+N) 600 W RMS \times 1 canal (a 100 Hz, 2 Ω y \leq 1% THD+N)
	Modo HI-CURRENT: 150 W RMS \times 1 canal (a 4 Ω y \leq 1% THD+N) 300 W RMS \times 1 canal (a 100 Hz, 2 Ω y \leq 1% THD+N) 600 W RMS \times 1 canal (a 100 Hz, 1 Ω y \leq 1% THD+N)
Relación S/N	66 dBA (referencia: 1 W en 4 Ω)



Nota:

- Las especificaciones y el diseño están sujetos a posibles modificaciones sin previo aviso debido a mejoramientos.

*Consumo de corriente promedio

- El consumo de corriente promedio es casi el consumo de corriente máxima de esta unidad, cuando se ingresa una señal de audio. Utilice este valor cuando tenga que trabajar con la corriente total consumida por múltiples amplificadores de potencia.

*Register your product at
Enregistrez votre produit au
Registre su producto en*

<http://www.pioneerelectronics.com>

*See "Product registration" page
Voir la page "Enregistrement du produit"
Consulte la página sobre "Registro del producto"*

PIONEER CORPORATION

4-1, MEGURO 1-CHOME, MEGURO-KU, TOKYO 153-8654, JAPAN

PIONEER ELECTRONICS (USA) INC.

P.O. Box 1540, Long Beach, California 90801-1540, U.S.A.
TEL: (800) 421-1404

PIONEER EUROPE NV

Haven 1087, Keetberglaan 1, B-9120 Melsele, Belgium
TEL: (0) 3/570.05.11

PIONEER ELECTRONICS ASIACENTRE PTE. LTD.

253 Alexandra Road, #04-01, Singapore 159936
TEL: 65-6472-7555

PIONEER ELECTRONICS AUSTRALIA PTY. LTD.

178-184 Boundary Road, Braeside, Victoria 3195, Australia
TEL: (03) 9586-6300

PIONEER ELECTRONICS OF CANADA, INC.

300 Allstate Parkway, Markham, Ontario L3R 0P2, Canada
TEL: 1-877-283-5901

PIONEER ELECTRONICS DE MEXICO, S.A. de C.V.

Bldv.Manuel Avila Camacho 138 10 piso
Col.Lomas de Chapultepec, Mexico, D.F. 11000
TEL: 55-9178-4270

Published by Pioneer Corporation.
Copyright © 2006 by Pioneer Corporation.
All rights reserved.

Publication de Pioneer Corporation.
Copyright © 2006 Pioneer Corporation.
Tous droits de reproduction et de traduction
réservés.

Printed in China
Imprimé en Chine

Free Manuals Download Website

<http://myh66.com>

<http://usermanuals.us>

<http://www.somanuals.com>

<http://www.4manuals.cc>

<http://www.manual-lib.com>

<http://www.404manual.com>

<http://www.luxmanual.com>

<http://aubethermostatmanual.com>

Golf course search by state

<http://golfingnear.com>

Email search by domain

<http://emailbydomain.com>

Auto manuals search

<http://auto.somanuals.com>

TV manuals search

<http://tv.somanuals.com>