

CLASS D MONO AMPLIFIER

AMPLIFICATEUR MONO DE CLASSE D

ENGLISH

FRANÇAIS

ESPAÑOL

Owner's Manual

PRS-D1200SPL

Mode d'emploi

Before Using This Product	1
Information to User	1
Important	1
Product Registration	2
About This Product	2
CAUTION	2
WARNING	2
Setting the Unit	3
MODE SELECT Switch	3
Bass Boost Frequency Control	3
Bass Boost Level Control	3
Terminal Cover	3
Cut Off Frequency Control for LPF	3
Gain Control	4
BFC (Beat Frequency Control) Switch	4
HEAT Indicator	4
PROTECT Indicator	4
Power Indicator	4
Subsonic Select Switch	4
Setting the Gain properly	5
Connecting the Unit	6
Connection Diagram	7
Solderless Terminal Connections	8
Connecting the Speaker Output Terminals	8
Connecting the Power Terminal	9
Setting the Gain for synced amplifier	10
Connecting the Speaker Wires	10
Installation	15
Attaching the Bass boost remote control	15
Example of installation on the floor mat or on the chassis	16
Replacing the terminal cover	16
Changing the Direction of the Badge	16
Additional information	17
Troubleshooting	17
Specifications	18

Thank you for purchasing this PIONEER product. It is designed to give you many years of enjoyment. PIONEER SUGGESTS USING A PROFESSIONAL INSTALLER DUE TO THE COMPLEXITY OF THIS PRODUCT. Please read all instructions and **WARNINGS** in this manual before attempting operation. Should you have any questions, contact your nearest Pioneer authorized dealer or installation specialist.

Information to User

Alteration or modifications carried out without appropriate authorization may invalidate the user's right to operate the equipment.

Important

The serial number of this amplifier is written on the bottom of the unit. For your own security and convenience, write it down on the enclosed warranty card. Keep the card handy for future reference.

After-sales service for Pioneer products

Please contact the dealer or distributor from where you purchased the product for its after-sales service (including warranty conditions) or any other information. In case the necessary information is not available, please contact the companies listed below:

Please do not ship your product to the companies at the addresses listed below for repair without advance contact.

■ U.S.A.

Pioneer Electronics (USA) Inc.
CUSTOMER SUPPORT DIVISION
P.O. Box 1760
Long Beach, CA 90801-1760
800-421-1404

■ CANADA

Pioneer Electronics of Canada, Inc.
CUSTOMER SATISFACTION
DEPARTMENT
300 Allstate Parkway
Markham, Ontario L3R 0P2
1-877-283-5901

For warranty information please see the Limited Warranty sheet included with your product.

Product Registration

Visit us at the following site:

 <http://www.pioneerelectronics.com>

- 1 Register your product. We will keep the details of your purchase on file to help you refer to this information in the event of an insurance claim such as loss or theft.
- 2 Receive updates on the latest products and technologies.
- 3 Download owner's manuals, order product catalogues, research new products, and much more.

About This Product

This product is a class D amplifier for the subwoofer. If both L (left) and R (right) channels are connected to the RCA input of this product, output is mixed because this product is a mono amplifier.



CAUTION

- Never replace the fuse with one of greater value or rating than the original fuse. Use of an improper fuse could result in overheating and smoke and could cause damage to the product and injury including burns.
- Use the supplied hexagonal wrench to tighten screws when fastening wires to the terminal or when changing the direction of the badge. The use of a long, commercially available hexagonal wrench can cause excessive torque to be applied possibly resulting in damage to terminals and wires.

WARNING

- Handling the cord on this product or cords associated with accessories sold with the product may expose you to chemicals listed on proposition 65 known to the State of California and other governmental entities to cause cancer and birth defects or other reproductive harm. **Wash hands after handling.**
- Always use the recommended battery wire and ground wire, which is sold separately. Connect the battery wire directly to the car battery positive terminal (+) and the ground wire to the car body.
- Do not touch the amplifier with wet hands. Otherwise you may get an electric shock. Also, do not touch the amplifier when it is wet.
- For traffic safety and to maintain safe driving conditions, keep the volume low enough so that you can still hear normal traffic sound.
- Check the connections of the power supply and speakers if the fuse of the separately sold battery wire or the amplifier fuse blows. Detect the cause and solve the problem, then replace the fuse with another one of the same size and rating.
- To prevent malfunction of the amplifier and subwoofer, the protective circuit will cut the power supply to the amplifier (sound will stop) when an abnormal condition occurs. In such a case, switch the power to the system OFF and check the connection of the power supply and subwoofer. Detect the cause and solve the problem.
- Contact the dealer if you cannot detect the cause.
- To prevent an electric shock or short-circuit during connection and installation, be sure to disconnect the negative (-) terminal of the battery beforehand.
- Confirm that no parts are behind the panel when drilling a hole for installation of the amplifier. Be sure to protect all cables and important equipment such as fuel lines, brake lines and the electrical wiring from damage.
- DO NOT allow amplifier to come into contact with liquids due to, for example, the location where the amplifier is installed. Electrical shock could result. Also, amplifier and speaker damage, smoke, and overheating could result from contact with liquids. In addition, the amplifier surface and the surface of any attached speakers could become hot to the touch and minor burns could result.

Setting the Unit

MODE SELECT Switch

You can select amplifier's sync mode from MASTER, SYNC and SYNC INV. Set the MODE SELECT switch to the MASTER position when using one amplifier only. When using synchronously connecting two or more of these amplifiers in combination, set the first amplifier to MASTER, and set the remaining amplifiers to SYNC or SYNC INV according to the manner in which they are connected. The only time the amplifier is switched to the SYNC INV mode is when amplifiers are synchronously connected with the ex. bridge.

When switching to the SYNC or SYNC INV mode, remove the screw and stopper. Remove the screw and stopper after checking that connections are correct. See the "Connecting the Speaker Wires" section for details on the MODE SELECT switch.

Bass Boost Frequency Control

You can select a bass boost frequency from 40 Hz to 120 Hz with the bass boost control.

Bass Boost Level Control

You can select a bass boost level from 0, 6, 9 and 12 dB.

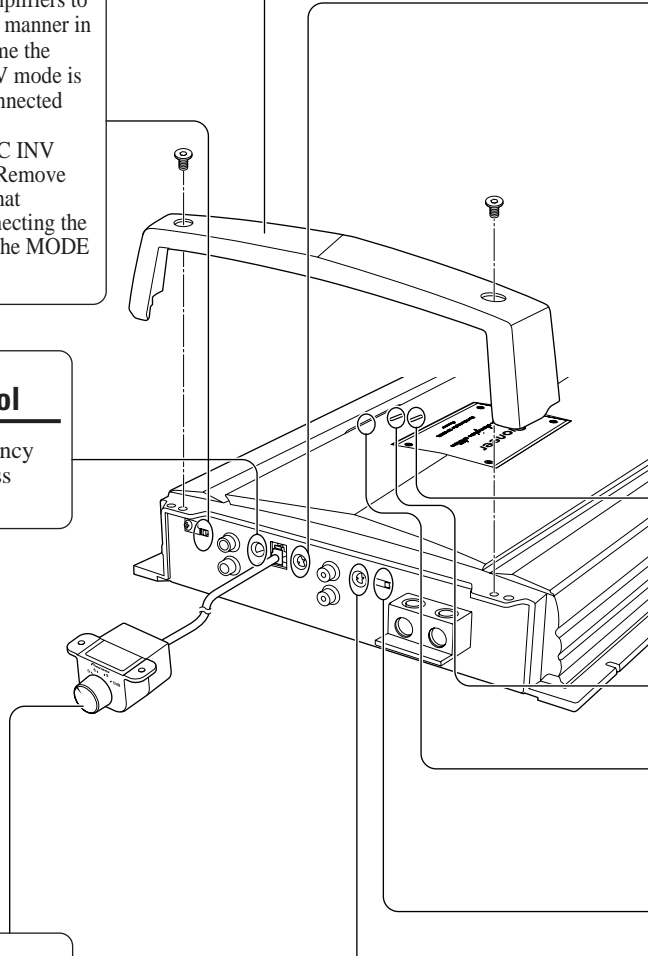
For instruction of connecting the bass boost remote control to the amplifier, see the "Connection Diagram" section.

Terminal Cover

Before setting up the unit, unfasten the screws with a 4 mm hexagonal wrench and remove the terminal cover.

Cut Off Frequency Control for LPF

You can select a cut off frequency from 40 Hz to 240 Hz.



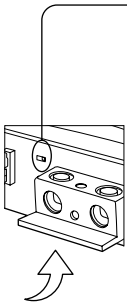
Gain Control

If the sound level is too low, even when the volume of the car stereo used along with this power amplifier is turned up, turn gain control clockwise. If the sound distorts when the volume is turned up, turn the gain control counter-clockwise.

- When using with an RCA equipped car stereo (standard output of 500 mV), set to the NORMAL position. When using with an RCA equipped Pioneer car stereo with max. output of 4 V or more, adjust level to match the car stereo output level.
- For synced amplifier's gain control, see the "Setting the Gain for synced amplifier" section.

BFC (Beat Frequency Control) Switch

If you hear a beat while listening to an AM broadcast with your car stereo, change the BFC switch using a small standard tip screwdriver.



HEAT Indicator (Yellow)

This indicates a problem with the amplifier. See the "Troubleshooting" section on page 17 for details.

PROTECT Indicator (Red)

This indicates a problem with the amplifier. See the "Troubleshooting" section on page 17 for details.

Power Indicator (Blue)

The power indicator lights when the power is switched on.

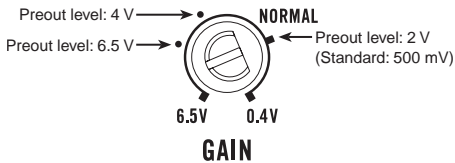
Subsonic Select Switch

The subsonic filter cuts inaudible frequencies below 20 Hz to eliminate unwanted vibrations and minimize power loss.

Setting the Gain properly

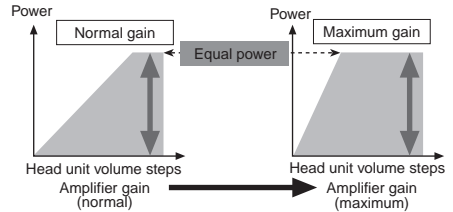
- This unit is equipped with a protective function to prevent malfunction of the unit itself and speakers from too much output, improper use or improper connection.
- When outputting sound at high volume etc., this function will cut off the sound output in a few seconds. But this is not a malfunction. When you turn down the volume of the head unit the sound output will be restored.
- If sound output is cut, the gain control of this unit may be improperly set. To ensure continuous sound output at increased volume of the head unit, set the gain control of the amplifier to a proper position according to the preout maximum output level of the head unit.

Gain Control of This Unit



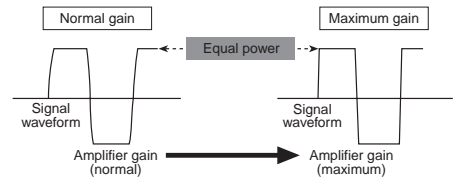
There is no need to decrease the volume of the head unit and too much output is controlled.

Relationship between the gain of the amplifier and the output power of the head unit



- If you raise the gain of the amplifier to an improper level, only distortion is increased and the power increases only slightly.

Signal waveform when outputting at high volume by the gain control of the amplifier



- With high output the signal waveform is distorted, if you raise the gain of the amplifier the power changes only slightly.
- If you decrease the volume of the head unit and set the gain control of the amplifier to the proper position but still the sound cuts out from time to time, contact the nearest authorized PIONEER Service Station.

CAUTION

- Disconnect the negative (–) terminal of the battery to avoid the risk of short-circuit and damage to the unit.
- Secure the wiring with cable clamps or adhesive tape. To protect the wiring, wrap adhesive tape around it where they lie against metal parts.
- Do not route wires where they will get hot, for example where the heater will blow over them. If the insulation heats up, it may become damaged, resulting in a short-circuit through the vehicle body.
- The amplifier increases the load on the battery and charging system. Make sure that the vehicle's alternator and battery have sufficient capacity for this amplifier. The use of a heavy-duty battery, parallel connection of ordinary batteries or an energy storage capacitor is recommended.

CAUTION

To prevent damage and/or injury

- Do not ground the speaker wire directly or connect a negative (–) lead wire for several speakers.
- This unit is for vehicles with a 12-volt battery and negative grounding. Before installing it in a recreational vehicle, truck or bus, check the battery voltage.
- If the car stereo is kept on for a long time while the engine is at rest or idling, the battery may go dead. Turn the car stereo off when the engine is at rest or idling.
- If the system remote control wire of the amplifier is connected to the power terminal through the ignition switch (12 V DC), the amplifier will always be on when the ignition is on— regardless of whether the car stereo is on or off. Because of this, the battery could go dead if the engine is at rest or idling.
- DO NOT connect a subwoofer with a lower impedance than specified in the "Connecting the Speaker Wires" section. Amplifier damage, smoke, and overheating could result from a non-specified connection. The amplifier surface could also become hot to the touch and minor burns could result.

- Make sure that wires will not interfere with moving parts of the vehicle, such as the gearshift, handbrake or seat sliding mechanism.
- Do not shorten any wires. Otherwise the protection circuit may fail to work when it should.
- Never feed power to other equipment by cutting the insulation of the power supply wire to tap from the wire. The current capacity of the wire will be exceeded, causing overheating.
- Never replace the fuse with one of greater value or rating than the original fuse. Use of an improper fuse could result in overheating and smoke and could cause damage to the product and injury including burns.

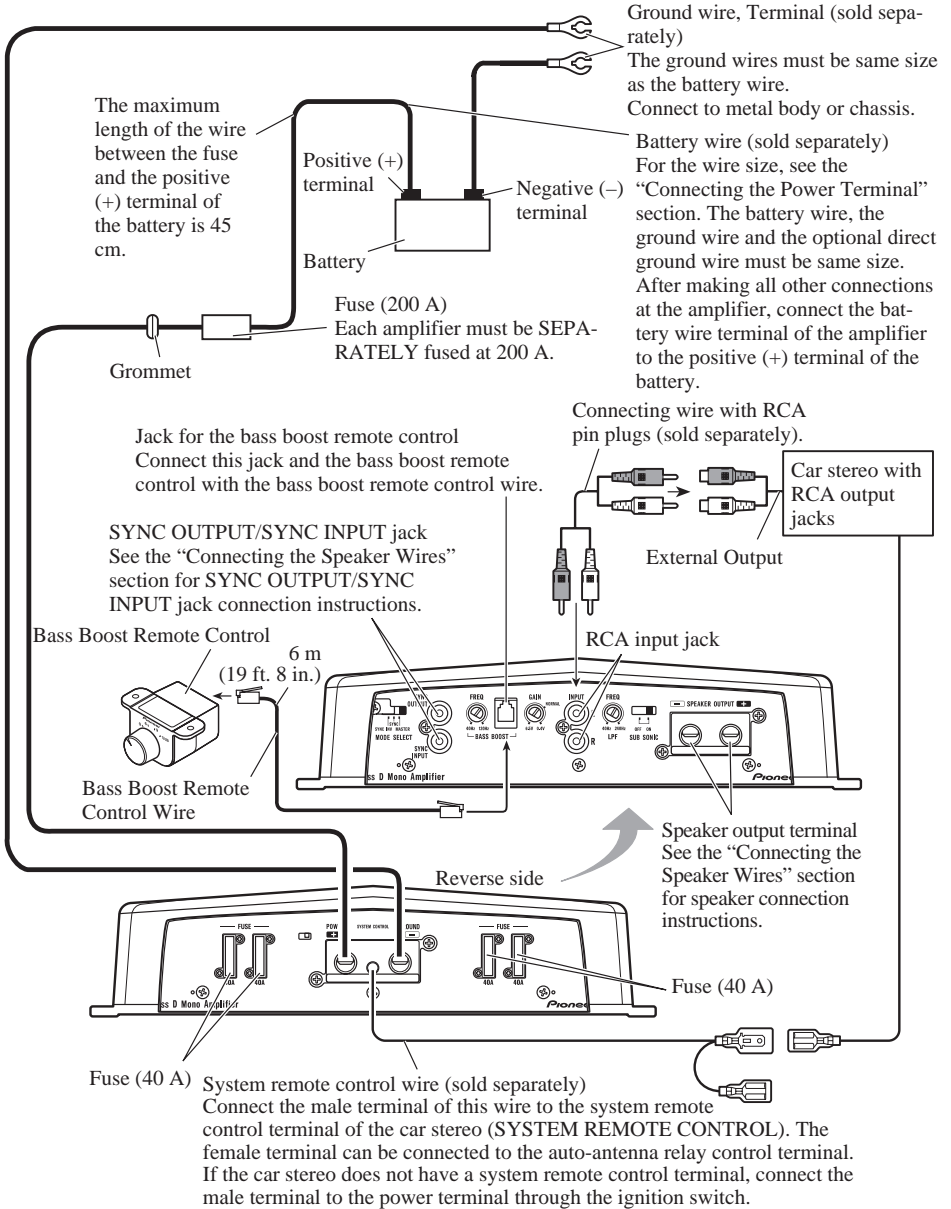
- Connect either of three subwoofers to the amplifier; 1: a subwoofer with a 500 W or larger nominal input and an impedance 4 Ω , 2: a subwoofer with a 1 000 W or larger nominal input and an impedance 2 Ω or 3: a subwoofer with a 1 200 W or larger nominal input and an impedance 1 Ω . If the nominal input and impedance are out of the above ranges, the subwoofer may catch fire, emit smoke or become damaged.
- Install and route the separately sold battery wire as far away as possible from the speaker wires. Install and route the separately sold battery wire, ground wire, speaker wires and the amplifier as far away as possible from the antenna, antenna cable and tuner.

- Cords for this product and those for other products may be different colors even if they have the same function. When connecting this product to another product, refer to the supplied manuals of both products and connect cords that have the same function.

Connecting the Unit

Connection Diagram

- In the case of connecting the external output from a car stereo to an RCA input, use the jack used for full-range output. This is because the LPF of the amplifier cannot be turned OFF. If this jack cannot be used, connect the subwoofer output jack to the RCA input.



Solderless Terminal Connections

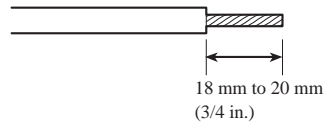
- Since the wire will become loose over time, it must be periodically inspected and tightened as necessary.
- Do not solder or bind the ends of the twisted wires.
- Fasten while making sure to not to clamp the insulating sheath of the wire.
- Use the supplied hexagonal wrench to tighten and loosen the terminal screw of the amplifier. Securely fasten the wire with the terminal screw. However, since excessively tightening the terminal screw of the System remote control has the risk of damaging the wire, be careful not to tighten excessively by observing the status of the wire when tightening.

Connecting the Speaker Output Terminals

Speaker Wire Size

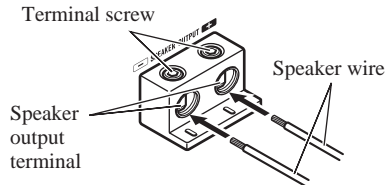
Wire Length	less than 5.2 m	less than 8.2 m	less than 13.4 m
	less than 17 ft.	less than 27 ft.	less than 44 ft.
Wire Size	8 AWG	6 AWG	4 AWG

1. Expose the end of the speaker wires using nippers or a cutter by about 18 mm to 20 mm (3/4 in.).



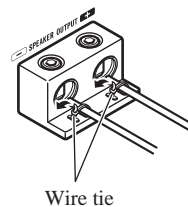
2. Connect the speaker wires to the speaker output terminals.

- Fix the speaker wires securely with the terminal screws.



3. Put the wire ties in the slits and wrap the wire ties around the wires.

- Wrap the wire tie around the wire insulation, not the stripped wire.
- Cut off any excess portions of the wire ties.



Connecting the Power Terminal

- Always use the recommended battery and ground wire, which is sold separately. Connect the battery wire directly to the car battery positive terminal (+) and the ground wire to the car body.
- Recommended wires size (AWG: American Wire Gauge) is as follows. The battery wire, the ground wire and the optional direct ground wire must be same size.
- Use a 10 AWG to 20 AWG wire for the system remote control wire.

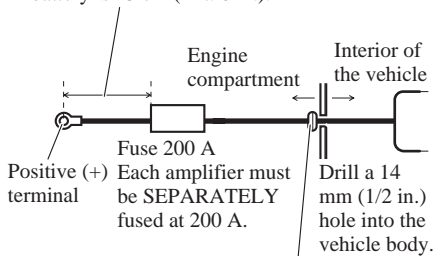
Battery Wire and Ground Wire Size

Wire Length	less than 3.6 m	less than 6.4 m
		less than 12 ft.
Wire Size	6 AWG	4 AWG

1. Pass the battery wire from the engine compartment to the interior of the vehicle.

- After making all other connections to the amplifier, connect the battery wire terminal of the amplifier to the positive (+) terminal of the battery.

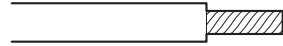
The maximum length of the wire between the fuse and the positive (+) terminal of the battery is 45 cm (1 ft. 6 in.).



Insert the O-ring rubber grommet into the vehicle body.

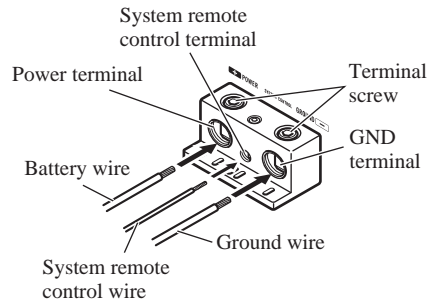
2. Expose the end of wires using nippers or a cutter.

- Battery wire, ground wire:
18 mm to 20 mm (3/4 in.)
- System remote control wire:
14 mm to 16 mm (1/2 in. to 5/8 in.)



3. Connect the wires to the terminal.

- Fix the wires securely with the terminal screws.

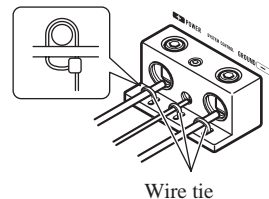


! WARNING

Failure to securely fasten the battery wire to the terminal using the terminal screws could cause the terminal area to overheat and could result in damage and injury including minor burns.

4. Put the wire ties in the slits and wrap the wire ties around the wires.

- Wrap the wire tie around the wire insulation, not the stripped wire.
- Cut off any excess portions of the wire ties.



Setting the Gain for synced amplifier

After connecting the speaker wires, adjust each synced amplifier's gain control. All synced amplifiers follow the master amplifier's settings.

Quick Setup of the Gain

Set each synced amplifier's gain control to the NORMAL position. This setting will balance output volumes sufficiently for most applications.

Advanced Setup of the Gain

Starting with the master amplifier, adjust the gain control on each amplifier in order.

1. Output sin wave through this system at low output level.
2. Use volt meter to measure the master amplifier's output voltage level.
3. Use volt meter to measure the synced amplifier's output voltage level.
4. Match the synced amplifier's output to the master's output using the gain control on the synced amplifier.
5. Repeat for the each synced amplifier in the proper order.

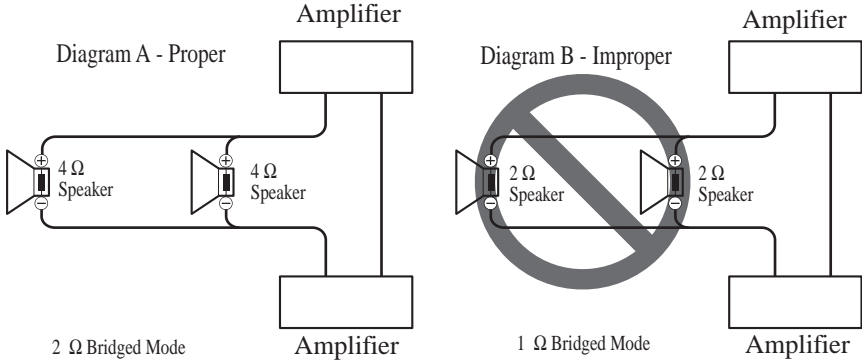
Connecting the Speaker Wires

Connect the speaker leads and set MODE SELECT switch to suit the configuration according to the figures shown below and the next page.

- When synchronously connecting two or more amplifiers in combination, only use these amplifiers. Do not mix these amplifiers with other amplifiers.
- When synchronously connecting two or more amplifiers in combination, set the gain control, subsonic select switch, cut off frequency control for LPF and bass boost control on the amplifier that has been set to MASTER with the MODE SELECT switch. These settings except for the gain control are inactive on an amplifier which has been set to SYNC or SYNC INV. For details concerning the gain control operation, see the "Setting the Gain for synced amplifier".

Connecting the Unit

! CAUTION



DO NOT install or use this amplifier by wiring speakers rated at 2 Ω (or lower) in parallel to achieve a 1 Ω (or lower) bridged mode (Diagram B).

Amplifier damage, smoke, and overheating could result from improper bridging. The amplifier surface could also become hot to the touch and minor burns could result.

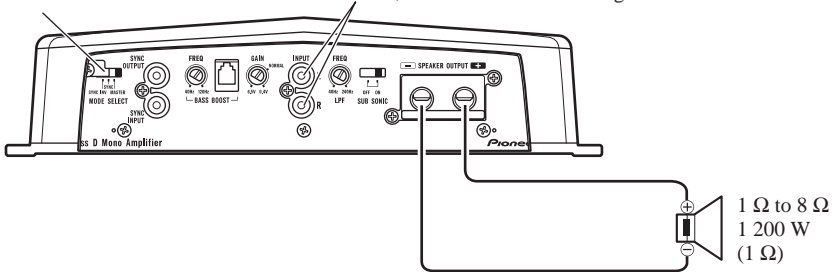
To properly install or use a bridged mode and achieve a 2 Ω load, wire two 4 Ω speakers in parallel with Left + and Right – (Diagram A) or use a single 2 Ω speaker.

In addition, refer to the speaker instruction manual for information on the correct connection procedure.

Single Amplifier

MODE SELECT switch must be in MASTER position.

Connect to a car stereo.
For details, see the "Connection Diagram".



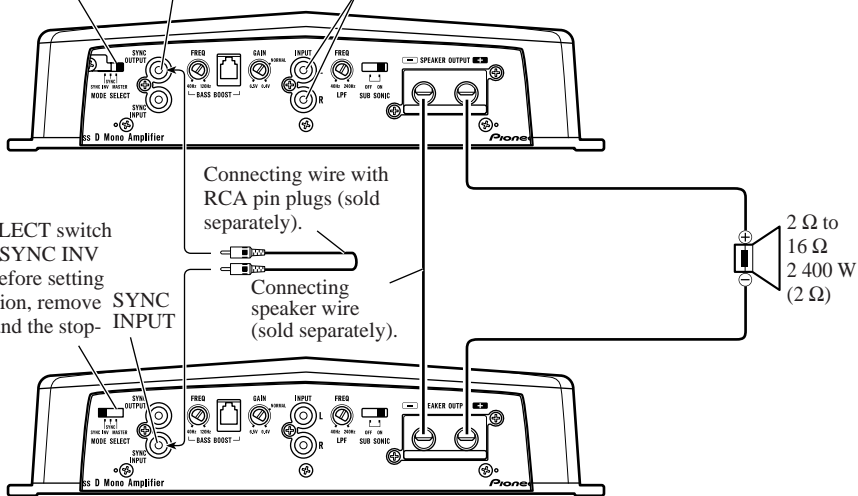
- Use speakers having an impedance from 1 Ω to 8 Ω.

Two Amplifier (Ex. Bridge)

MODE SELECT switch must be in MASTER position.

SYNC OUTPUT

Connect to a car stereo.
For details, see the "Connection Diagram".



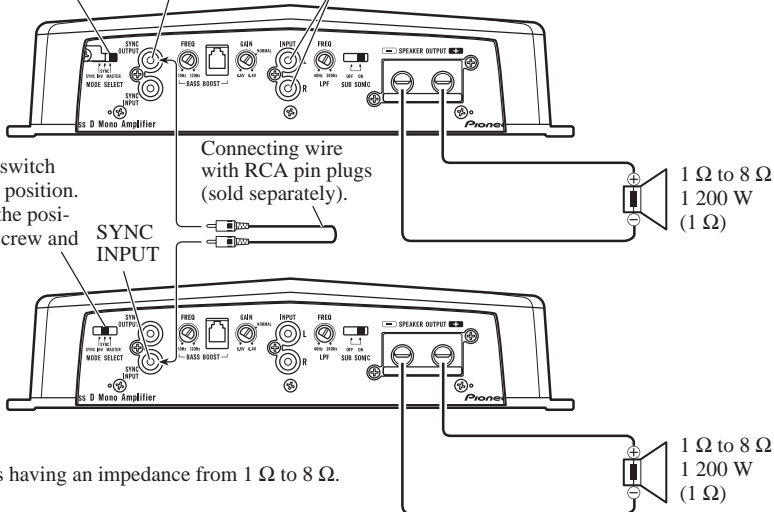
- Only use speakers having an impedance of 2 Ω to 16 Ω. In addition, in the case of connecting multiple speakers with a bridge, check that the synthetic impedance is at least 2 Ω.

Two Amplifier

MODE SELECT switch must be in MASTER position.

SYNC OUTPUT

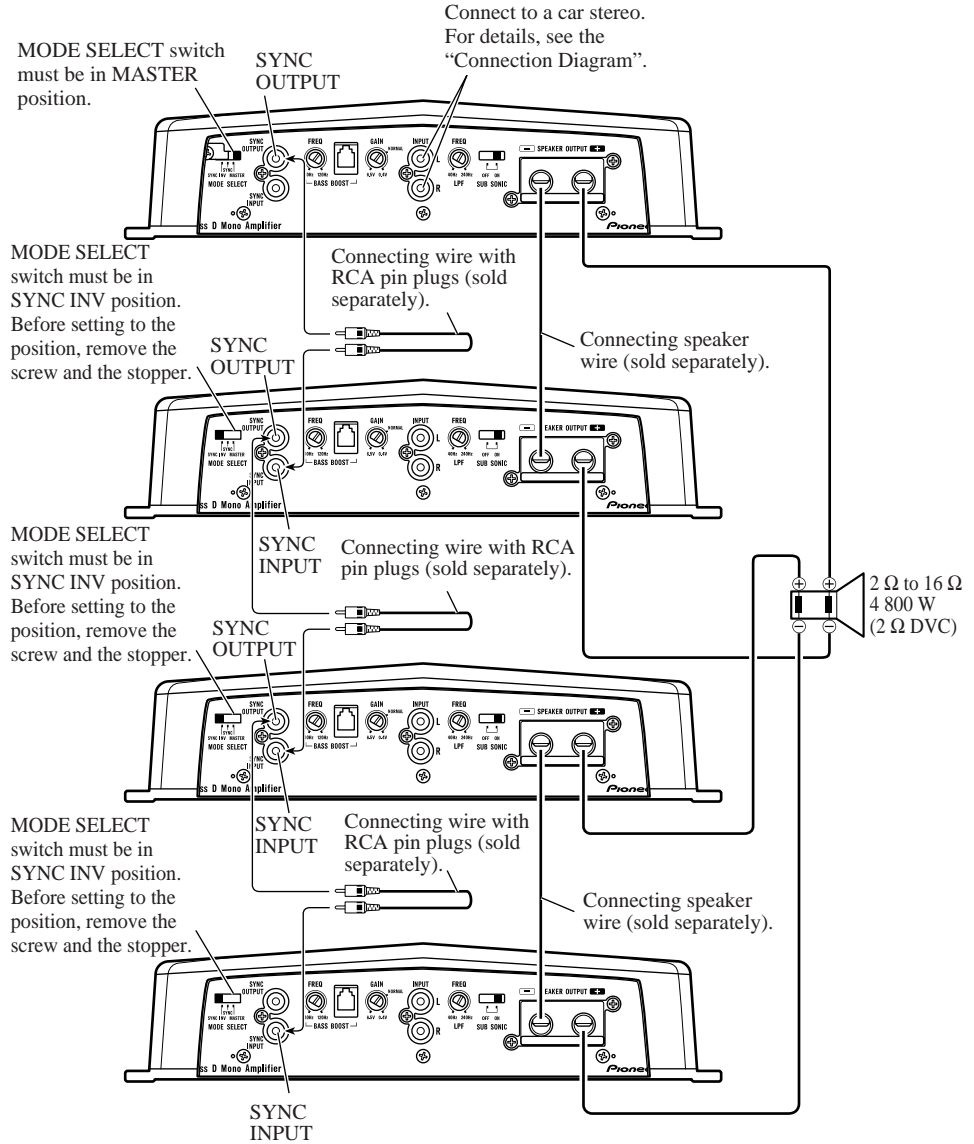
Connect to a car stereo.
For details, see the "Connection Diagram".



- Use speakers having an impedance from 1 Ω to 8 Ω.

Connecting the Unit

Four Amplifier (Ex. Bridge)

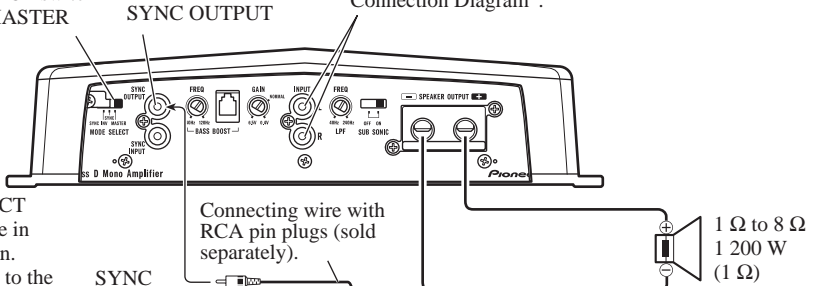


- Only use speakers having an impedance of 2 Ω to 16 Ω. In addition, in the case of connecting multiple speakers with a bridge, check that the synthetic impedance is at least 2 Ω.

Four Amplifier

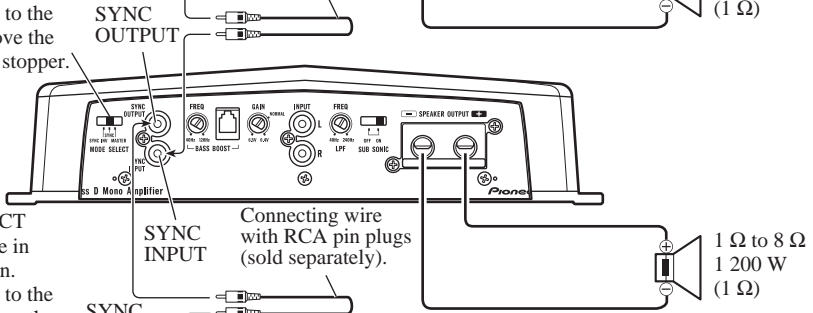
MODE SELECT switch must be in MASTER position.

Connect to a car stereo.
For details, see the
"Connection Diagram".



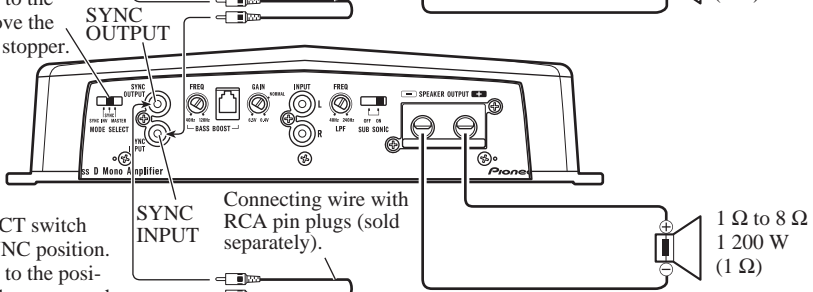
MODE SELECT switch must be in SYNC position.
Before setting to the position, remove the screw and the stopper.

Connecting wire with RCA pin plugs (sold separately).



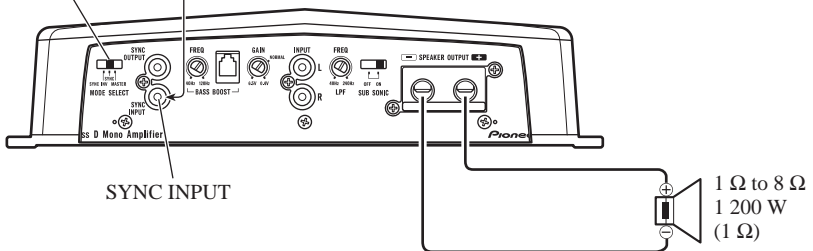
MODE SELECT switch must be in SYNC position.
Before setting to the position, remove the screw and the stopper.

Connecting wire with RCA pin plugs (sold separately).



MODE SELECT switch must be in SYNC position.
Before setting to the position, remove the screw and the stopper.

Connecting wire with RCA pin plugs (sold separately).



- Use speakers having an impedance from 1 Ω to 8 Ω.

⚠ CAUTION

- Do not install in:
 - Places where it could injure the driver or passengers if the vehicle stops suddenly.
 - Places where it may interfere with the driver, such as on the floor in front of the driver's seat.
- Make sure that wires are not caught in the sliding mechanism of the seats, resulting in a short-circuit.
- Confirm that no parts are behind the panel when drilling a hole for installation of the amplifier. Protect all cables and important equipment such as fuel lines, brake lines and electrical wiring from damage.
- Install tapping screws in such a way that the screw tip does not touch any wire. This is important to prevent wires from being cut by vibration of the car, which can result in fire.
- DO NOT allow amplifier to come into contact with liquids due to, for example, the location where the amplifier is installed. Electrical shock could result. Also, amplifier and speaker damage, smoke, and overheating could result from contact with liquids. In addition, the amplifier surface and the surface of any attached speakers could become hot to the touch and minor burns could result.
- To ensure proper installation, use the supplied parts in the manner specified. If any parts other than the supplied ones are used, they may damage internal parts of the amplifier, or they may become loose causing the amplifier to shut down.
- Never replace the fuse with one of greater value or rating than the original fuse. Use of an improper fuse could result in overheating and smoke and could cause damage to the product and injury including burns.

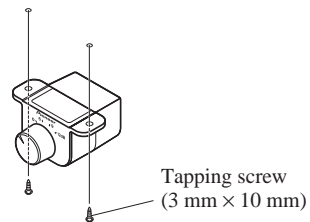
⚠ CAUTION

To prevent malfunction and/or injury

- To ensure proper heat dissipation of the amplifier, be sure of the following during installation.
 - Allow adequate space above the amplifier for proper ventilation.
 - Do not cover the amplifier with a floor mat or carpet.
- DO NOT allow amplifier to come into contact with liquids due to, for example, the location where the amplifier is installed. Electrical shock could result. Also, amplifier and speaker damage, smoke, and overheating could result from contact with liquids. In addition, the amplifier surface and the surface of any attached speakers could become hot to the touch and minor burns could result.
- Do not install the amplifier on unstable places such as the spare tire board.
- The best location for installation differs with the car model and installation location. Secure the amplifier at a sufficiently rigid location.
- Make temporary connections first and check that the amplifier and the system operate properly.
- After installing the amplifier, confirm that the spare tire, jack and tools can be easily removed.

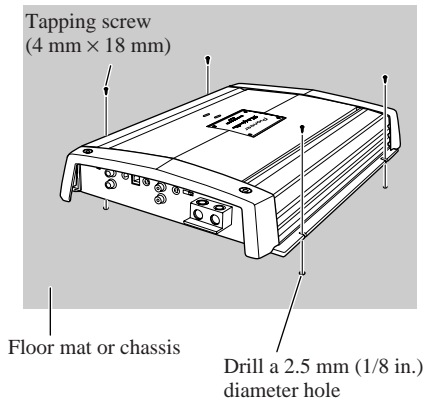
Attaching the Bass boost remote control

Attach with tapping screws (3 mm × 10 mm) at an easily accessible location such as under the dashboard.



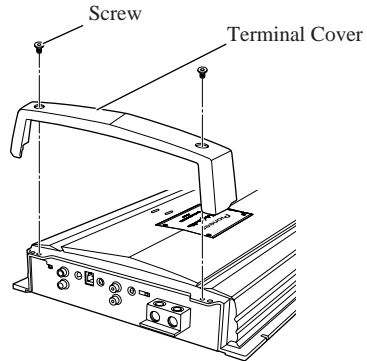
Example of installation on the floor mat or on the chassis

1. Place the amplifier where it is to be installed. Insert the supplied tapping screws (4 mm × 18 mm) into the screw holes. Push on the screws with a screwdriver so they make marks where the installation holes are to be located.
2. Drill 2.5 mm (1/8 in.) diameter holes at the point marked, and install the amplifier, either on the carpet or directly to the chassis.



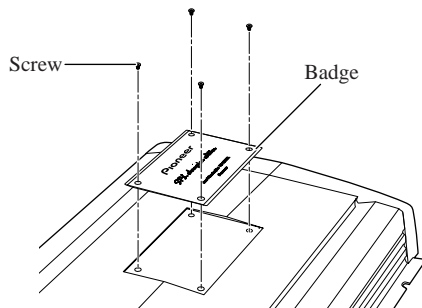
Replacing the terminal cover

1. Align the unit and terminal cover, and insert the screw.
2. Tighten the screw with a 4 mm hexagonal wrench.



Changing the Direction of the Badge

1. To remove the badge, loose screws by using a 2 mm hexagonal wrench.
2. Change the direction of badge, and then tighten the screws with a hexagonal wrench.



Troubleshooting

The following indicators light momentarily when the amplifier is turned on. This is not a malfunction.

HEAT Indicator

- This indicator lights up in yellow when the temperature within the amplifier rises. When this happens, immediately discontinue use of the amplifier and check the location where the amplifier is installed (see the “WARNING” section on page 2). Contact your dealer if the problem is still not corrected.

PROTECT Indicator

- This indicator either flashes or lights up in red when some type of problem has occurred in the amplifier. When this happens, immediately discontinue use of the amplifier and check the wiring (see the “WARNING” section on page 2). Contact your dealer if the problem is still not corrected.

Specifications

Power source	14.4 V DC (10.8 V to 15.1 V allowable)
Grounding system	Negative type
Current consumption	44 A (at continuous power, 4 Ω)
Average current drawn*	12 A (4 Ω for one channel) 26 A (2 Ω for one channel) 34 A (1 Ω for one channel)
Fuse	40 A \times 4
Dimensions	381 (W) \times 65 (H) \times 282 (D) mm [1 ft. 3 in. (W) \times 2-1/2 in. (H) \times 1-1/8 in. (D)]
Weight	6.0 kg (13 lbs.) (Leads for wiring not included)
Maximum power output	1 000 W \times 1 (4 Ω) / 2 000 W \times 1 (2 Ω) / 2 400 W \times 1 (1 Ω)
Continuous power (14.4 V)	4 Ω , 20 Hz to 240 Hz, \leq 1.0 % THD, 500 W \times 1 2 Ω , 50 Hz, \leq 1.0 % THD, 1 000 W \times 1 1 Ω , 50 Hz, \leq 2.0 % THD, 1 200 W \times 1
Load impedance	4 Ω (1 Ω to 8 Ω allowable)
Frequency response	10 Hz to 240 Hz (+0 dB, -3 dB)
S/N ratio	80 dB (IHF-A network)
Distortion	0.3 % (10 W/4 Ω , 100 Hz)
Low pass filter	Cut off frequency: 40 Hz to 240 Hz Cut off slope: -24 dB/oct.
Subsonic filter (HPF)	Frequency: 20 Hz Slope: -24 dB/oct.
Bass boost	Frequency: 40 Hz to 120 Hz Level: 0 / 6 / 9 / 12 dB
Gain control	RCA: 400 mV to 6.5 V
Maximum input level / impedance	RCA: 6.5 V / 22 k Ω

Power output	500 W RMS \times 1 channel (at 4 Ω and \leq 1% THD+N) 1 000 W RMS \times 1 channel (at 50 Hz, 2 Ω and \leq 1% THD+N)
S/N ratio	54 dBA (reference: 1 W into 4 Ω)



Note:

- Specifications and the design are subject to possible modification without notice due to improvements.

***Average current drawn**

- The average current drawn is nearly the maximum current drawn by this unit when an audio signal is input. Use this value when working out total current drawn by multiple power amplifiers.

Avant d'utiliser cet appareil	1
Enregistrement du produit	2
Quelques mots concernant cet appareil	2
PRÉCAUTION	2
ATTENTION	2
Réglage de l'appareil	3
Commutateur MODE SELECT	3
Commande de fréquence de l'accentuation des graves	3
Commande du niveau d'accentuation des graves	3
Couvre-bornes	3
Commande de la fréquence de coupure pour LPF	3
Commande du gain	4
Interrupteur BFC (Commande de fréquence de battement)	4
Témoin HEAT	4
Témoin PROTECT	4
Témoin d'alimentation	4
Sélecteur infrasonore	4
Réglage correct du gain	5
Raccordement de l'appareil	6
Schéma de raccordement	7
Prise de connexion sans soudure	8
Raccordement des bornes de sortie vers les haut-parleurs	8
Raccordement de la borne d'alimentation	9
Réglage du gain de l'amplificateur associé	10
Connexion des câbles des haut-parleurs	10
Installation	15
Fixation de la télécommande d'accentuation des graves	15
Exemple d'installation sur le tapis de sol ou sur le châssis	16
Remise en place du couvre-bornes	16
Changement de la direction de l'étiquette signalétique	16
Informations complémentaires	17
Guide de dépannage	17
Caractéristiques techniques	18

Nous vous remercions d'avoir porté votre choix sur un appareil PIONEER. Il a été conçu et fabriqué pour vous apporter de nombreuses années de satisfaction. En raison des problèmes posés par l'installation de cet appareil, Pioneer vous conseille de consulter un professionnel. Avant d'utiliser l'appareil, prenez connaissance de ce mode d'emploi et tout spécialement des **AVERTISSEMENTS**. Pour toute question concernant cet appareil, veuillez vous adresser au revendeur ou à l'installateur.

Service après-vente pour un produit Pioneer

Pour toute question, et en particulier pour toute question relative au service après-vente (y compris celles qui relèvent de la garantie), veuillez vous adresser au revendeur ou au distributeur auprès de qui vous avez acquis ce produit. Dans l'hypothèse où vous ne pourriez pas être renseigné comme vous le désirez, consultez l'une des sociétés mentionnées ci-dessous.

N'expédiez pas le produit à l'une de ces sociétés, quelle qu'en soit la raison, avant d'y avoir été expressément invité.

■ Etats-Unis

Pioneer Electronics (USA) Inc.
CUSTOMER SUPPORT DIVISION
P.O. Box 1760
Long Beach, CA 90801-1760
800-421-1404

■ Canada

Pioneer électroniques du Canada, Inc.
Département de service aux consommateurs
300 Allstate Parkway
Markham, Ontario L3R 0P2
1-877-283-5901

Pour toute question concernant la garantie, veuillez consulter le document Garantie Limitée qui accompagne le produit.

Enregistrement du produit

Rendez-nous visite sur le site suivant:


<http://www.pioneerelectronics.com>

- 1 Enregistrez votre produit. Nous conserverons sur fichier les détails de votre achat pour vous permettre de vous reporter à ces informations en cas de déclaration de sinistre à votre assurance pour perte ou vol.
- 2 Recevez les mises à jour sur les derniers produits et les plus récentes technologies.
- 3 Téléchargez les manuels de l'utilisateur, commandez les catalogues des produits, recherchez de nouveaux produits, et bien plus.

Quelques mots concernant cet appareil

Cet appareil est un amplificateur pour haut-parleur d'extrême grave. Si les deux canaux, L (gauche) et R (droit), sont connectés à l'entrée cinch (RCA) de cet appareil, la sortie est mixée parce que cet appareil est un amplificateur monaural.

PRÉCAUTION

- Ne remplacez pas le fusible par un fusible de plus grande valeur ou de plus grand calibre. L'utilisation d'un fusible inadapté peut entraîner une surchauffe et de la fumée, et peut provoquer l'endommagement de l'appareil et des blessures, y compris des brûlures.
- Utilisez la clé hexagonale fournie pour serrer les vis lors de la fixation des câbles sur la borne ou lors du changement de la direction de l'étiquette signalétique. L'utilisation d'une longue clé hexagonale en vente dans le commerce peut entraîner l'application d'un couple de serrage excessif et endommager les bornes et les câbles.

ATTENTION

- Utilisez le câble de liaison à la batterie et le câble de masse conseillés; ils sont vendus séparément. Reliez le câble rouge à la borne positive (+) de la batterie et le câble de masse à la carrosserie du véhicule.
- Ne touchez pas l'amplificateur quand vous avez les mains mouillées, faute de quoi vous risquez de ressentir une secousse électrique. Pareillement, ne touchez pas l'amplificateur s'il est mouillé.
- Pour votre sécurité et celles des autres usagers de la route, maintenez le niveau d'écoute à une valeur telle que les bruits de la circulation demeurent nettement perceptibles.
- Si le fusible monté sur le câble de liaison à la batterie, câble qui est vendu séparément, a grillé ou bien s'il en est ainsi de celui de l'amplificateur, vérifiez soigneusement toutes les connexions d'alimentation. Recherchez la cause de l'anomalie puis corrigez-la; enfin, remplacez le fusible grillé par un fusible de même taille et de même calibre.
- Pour éviter d'endommager l'amplificateur et du haut-parleur d'extrême grave, le circuit de protection coupe l'alimentation de l'amplificateur (les sons ne sont plus émis) dès que survient une situation anormale. Dans ce cas, mettez l'ensemble des appareils hors tension et contrôlez les liaisons entre l'amplificateur et du haut-parleur d'extrême grave. Le cas échéant, recherchez la cause de l'anomalie et corrigez-la.
- Consultez le revendeur si vous n'êtes pas en mesure de résoudre le problème qui se pose à vous.
- Pour éviter toute secousse électrique et tout risque de court-circuit au cours des opérations de raccordement et d'installation, n'oubliez pas de débrancher le câble relié au pôle négatif de la batterie (-) avant d'effectuer quelque opération que ce soit.
- Avant d'effectuer un perçage requis par l'installation de l'amplificateur, assurez-vous que vous pouvez le faire sans danger pour les câbles, canalisations, flexibles, etc., qui sont placés derrière le panneau que vous devez percer.
- NE LAISSEZ PAS l'amplificateur entrer en contact avec des liquides à cause, par exemple, de l'emplacement où il a été placé. Cela pourrait entraîner une secousse électrique. De plus, le contact avec un liquide pourrait endommager l'amplificateur et les enceintes, produire de la fumée ou surchauffer l'appareil. Enfin, la surface de l'amplificateur et des enceintes connectées peut devenir chaude au toucher et entraîner de légères brûlures.

Commutateur MODE SELECT

Vous pouvez sélectionner le mode de synchronisation de l'amplificateur, à savoir MASTER, SYNC et SYNC INV. Réglez le commutateur MODE SELECT sur la position MASTER si vous utilisez uniquement un amplificateur. Si vous utilisez deux amplificateurs ou plus en combinaison et connecteur de façon synchrone, réglez le premier amplificateur sur MASTER, et les amplificateurs restants sur SYNC ou SYNC INV en fonction de la façon dont ils sont connectés. Réglez le commutateur d'un amplificateur sur SYNC INV uniquement quand les amplificateurs sont connectés de façon synchrone avec un montage en pont ex. Pour régler le commutateur sur SYNC ou SYNC INV, retirez la vis et la butée. Retirez la vis et la butée après avoir vérifié que les connexions sont correctes. Pour en savoir plus sur le commutateur MODE SELECT, reportez-vous à la section "Connexion des câbles des haut-parleurs".

Commande de fréquence de l'accentuation des graves

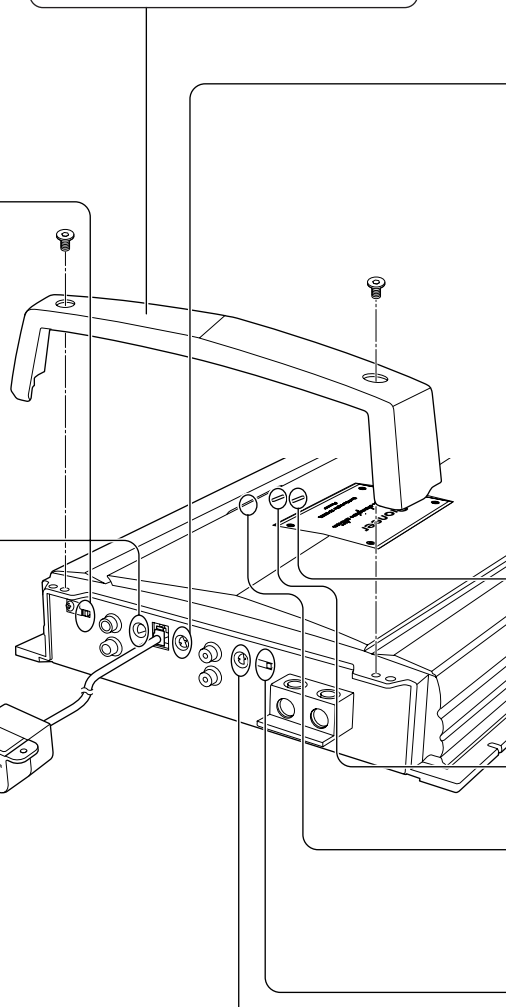
Cette commande permet de choisir la fréquence, entre 40 Hz et 120 Hz, autour de laquelle doit s'effectuer l'accentuation.

Commande du niveau d'accentuation des graves

Vous pouvez choisir un niveau d'accentuation de 0, 6, 9 ou 12 dB. Pour connaître la manière de relier le boîtier de télécommande d'accentuation des graves à l'amplificateur, reportez-vous à la section "Schéma de raccordement".

Couvre-bornes

Avant de mettre l'appareil en place, dévissez les vis avec un tournevis à pointe hexagonale de 4 mm et retirez le couvre-bornes.



Commande de la fréquence de coupure pour LPF

La fréquence de coupure peut être choisie entre 40 Hz et 240 Hz.

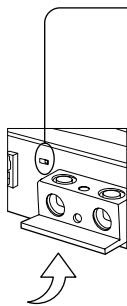
Commande du gain

Si le niveau d'écoute est faible même lorsque la commande de l'autoradio est sur la position correspondant au maximum, tournez la commande de gain dans le sens des aiguilles d'une montre. Inversement, si vous constatez de la distorsion lorsque vous augmentez le niveau de sortie de l'autoradio, tournez cette commande dans le sens contraire des aiguilles d'une montre.

- Choisissez la position NORMAL si l'autoradio stéréo est équipé de prises Cinch (RCA) (niveau de sortie standard à 500 mV). Si cet appareil est utilisé conjointement avec un autoradio stéréo Pioneer pourvu de prises Cinch (RCA) sur lesquelles peuvent se trouver une tension de sortie de 4 V ou plus, réglez le niveau en fonction du niveau de sortie de l'autoradio.
- Pour la commande de gain de l'amplificateur associé, reportez-vous à la section "Réglage du gain de l'amplificateur associé".

Interrupteur BFC (Commande de fréquence de battement)

Si vous entendez un battement pendant l'écoute d'une transmission AM avec votre autoradio, changer la position de l'interrupteur BFC en utilisant un petit tournevis standard.



Témoin HEAT (Jaune)

Ce témoin indique un problème avec l'amplificateur. Reportez-vous à la section "Guide de dépannage" à la page 17 pour en savoir plus.

Témoin PROTECT (Rouge)

Ce témoin indique un problème avec l'amplificateur. Reportez-vous à la section "Guide de dépannage" à la page 17 pour en savoir plus.

Témoin d'alimentation (Bleu)

Ce témoin s'éclaire lorsque l'amplificateur est sous tension.

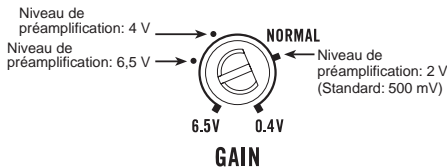
Sélecteur infrasonore

Le filtre infrasonore coupe les fréquences inférieures à 20 Hz afin de supprimer les vibrations indésirables et de réduire les pertes de puissance.

Réglage correct du gain

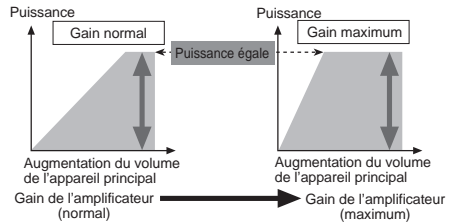
- Cet appareil est muni d'une fonction de protection qui protège l'appareil et les enceintes de tout mauvais fonctionnement dû à une utilisation incorrecte ou à une connexion incorrecte.
- Quand le son est sorti à un niveau de volume élevé, etc. cette fonction coupe la sortie du son en quelques secondes. Ce n'est pas un mauvais fonctionnement. Si vous baissez le niveau de volume de l'appareil principal, la sortie du son est rétablie.
- Si la sortie du son est coupée, c'est peut-être parce que la commande de gain de cet appareil est réglée incorrectement. Pour assurer une sortie continue du son même quand le niveau de volume de l'appareil principal est augmenté, réglez la commande du gain de l'amplificateur sur une position correcte en fonction du niveau de sortie maximum préamplifié de l'appareil principal.

Commande du gain de cet appareil



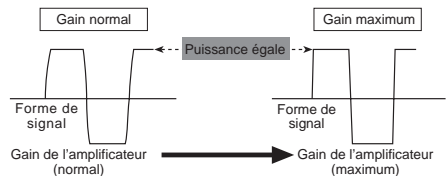
Il n'est pas nécessaire de diminuer le volume de l'appareil principal et quand la sortie est trop forte.

Relation entre le gain de l'amplificateur et la puissance de sortie de l'appareil principal



- Si vous augmentez le gain de l'amplificateur à un niveau incorrect, seule la distorsion est augmentée et la puissance n'augmente que légèrement.

Forme de signal quand la puissance de sortie est élevée par la commande gain de l'amplificateur



- Quand la puissance de sortie est élevée, la forme de signal est déformée et si vous augmentez le gain de l'amplificateur la puissance n'augmente que légèrement.
- Si vous diminuez le volume de l'appareil principal et réglez la commande de gain de l'amplificateur sur la position correcte mais que le son continue à être coupé de temps à autre, contactez le centre de service autorisé PIONEER le plus proche.

PRÉCAUTION

- Pour éviter tout risque de court-circuit ou d'endommager cet appareil, débranchez le câble relié à la borne négative (-) de la batterie, au niveau de cette borne.
- Fixez les câbles au moyen de colliers ou du ruban adhésif. Lorsque l'isolant du câble peut être endommagé par une pièce métallique, assurez sa protection en le gainant de ruban adhésif.
- Faites cheminer les câbles en évitant les zones chaudes telles que les bouches du chauffage. La chaleur peut endommager l'isolant et il peut en résulter un court-circuit si l'âme du câble vient en contact avec la carrosserie.
- L'amplificateur augmente la charge sur la batterie et le système de charge. Assurez-vous que le l'alternateur et la batterie du véhicule ont une capacité suffisante pour cet amplificateur. L'installation d'une batterie puissante, la connexion parallèle d'une batterie secondaire ou d'un condensateur de stockage d'énergie est recommandée.
- Assurez-vous que les câbles ne gênent en rien la manoeuvre des organes mobiles tels que rails de siège mais aussi levier de frein de stationnement, pédale de frein, etc.
- Veillez à ce qu'aucun câble ne soit en court-circuit, faute de quoi le circuit de protection pourrait être dans l'incapacité de remplir son office.
- N'alimentez pas un appareil par un piquage sur le câble qui alimente un autre appareil. Ce câble n'a peut-être pas la section suffisante pour supporter sans danger l'intensité consommée par les deux appareils.
- Ne remplacez pas le fusible par un fusible de plus grande valeur ou de plus grand calibre. L'utilisation d'un fusible inadapté peut entraîner une surchauffe et de la fumée, et peut provoquer l'endommagement de l'appareil et des blessures, y compris des brûlures.

PRÉCAUTION

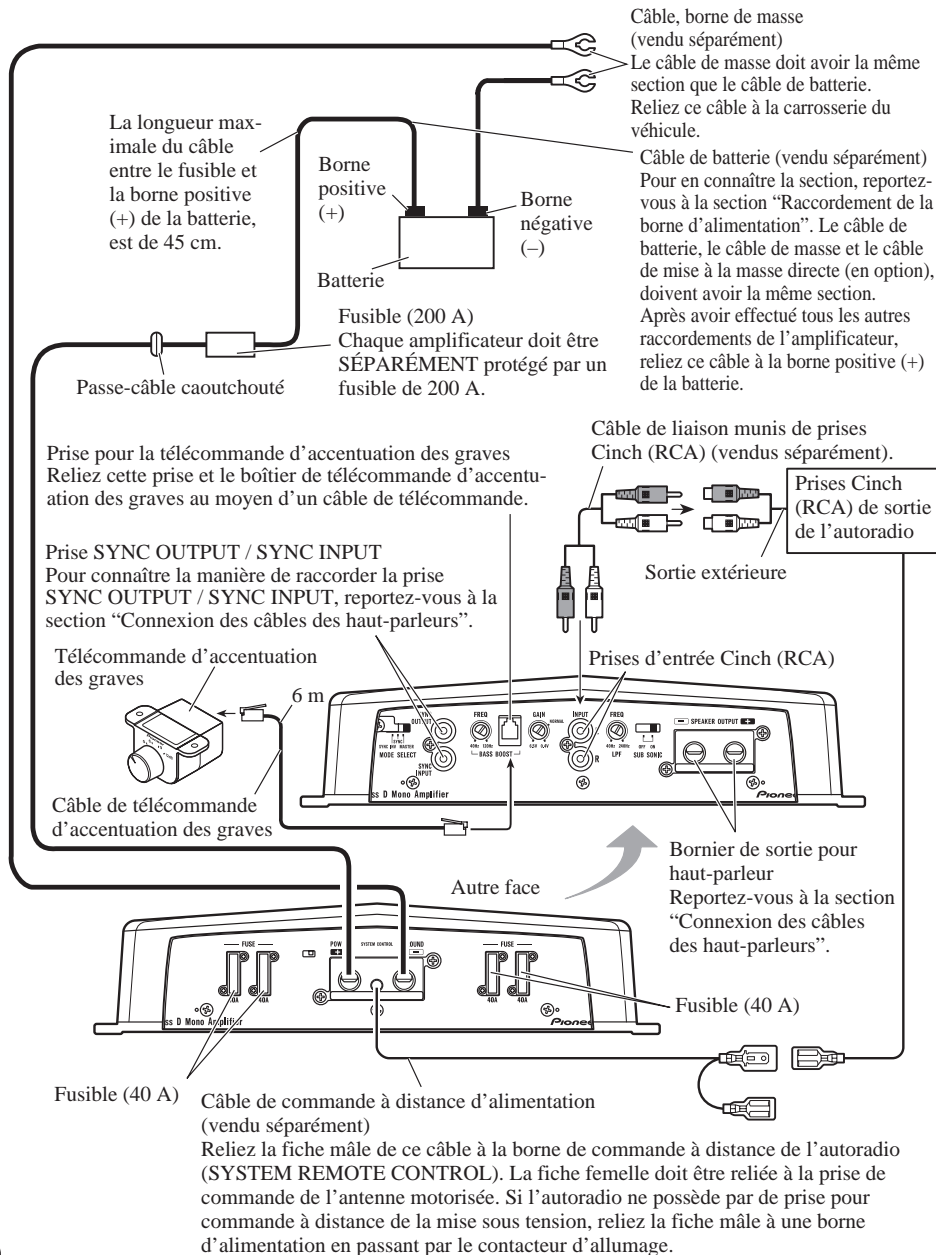
Pour éviter toute anomalie ou blessure

- Ne reliez pas à la masse le câble (-) d'un haut-parleur; ne reliez pas ensemble plusieurs câbles négatifs de haut-parleurs.
- Cet appareil est conçu pour les véhicules alimentés par une batterie 12 V dont le pôle négatif est à la masse. Avant d'installer cet appareil, contrôlez la tension de la batterie.
- Si vous conservez l'autoradio en fonctionnement alors que le moteur est arrêté ou tourne au ralenti, la batterie peut être déchargée au bout d'un certain temps. Pour éviter cela, mettez l'autoradio hors tension.
- Si le câble de commande à distance de l'amplificateur est relié à la borne d'alimentation par l'intermédiaire du contacteur d'allumage (12 V CC), l'amplificateur sera sous tension dès que vous mettez le contact, et cela quelle que soit la situation de l'autoradio. En conséquence, la batterie peut être rapidement déchargée si le moteur ne tourne pas, ou tourne au ralenti.
- NE RACCORDEZ PAS un haut-parleur d'extrêmes graves dont l'impédance serait inférieure à celle prescrite dans la section "Connexion des câbles des haut-parleurs". Il pourrait en résulter un endommagement de l'amplificateur, voire de la production de fumée accompagnée de surchauffe. La surface de l'amplificateur pourrait s'échauffer au point de causer des brûlures légères.
- Reliez l'un de ces trois caissons de graves à l'amplificateur; 1: un caisson de graves ayant une puissance admissible de 500 W ou mieux et une impédance de 4 Ω , 2: un caisson de graves ayant une puissance admissible de 1 000 W ou mieux et une impédance de 2 Ω ou 3: un caisson de graves ayant une puissance admissible de 1 200 W ou mieux et une impédance de 1 Ω . Si l'entrée nominale et l'impédance sont au-dessus de ces plages, le haut-parleur d'extrême grave risque de prendre feu, d'émettre de la fumée ou d'être endommagé.
- Installez le câble de liaison à la batterie, vendu séparément, et faites-le cheminer aussi loin que possible des câbles de liaison aux haut-parleurs. Installez le câble de liaison à la batterie, vendu séparément, le câble de masse, les câbles de liaison aux haut-parleurs et l'amplificateur aussi loin que possible de l'antenne, du câble d'antenne et du syntoniseur.
- Les câbles de cet appareil et ceux d'autres appareils peuvent fort bien ne pas être de la même couleur bien que remplissant la même fonction. Pour relier cet appareil à un autre appareil, utilisez le manuel de chacun et effectuez les raccordements en ne tenant compte que de la fonction de chaque câble.

Raccordement de l'appareil

Schéma de raccordement

- Dans le cas de la connexion de la sortie extérieure d'un autoradio stéréo à une entrée Cinch (RCA), utilisez la prise utilisée pour une sortie à gamme étendue, car le canal PDF de l'amplificateur ne peut pas être mis hors service. Si cette prise ne peut pas être utilisée, connectez la prise de sortie du haut-parleur d'extrêmes graves à l'entrée Cinch (RCA).



Prise de connexion sans soudure

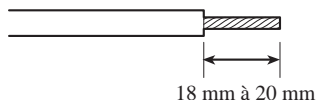
- Comme le câble devient lâche avec le temps, il doit être vérifié périodiquement et resserré si nécessaire.
- Ne soudez ni ne tordez les extrémités des âmes torsadées.
- Serrez en vous assurant de ne pas coincer la gaine isolante du câble.
- Utilisez la clé hexagonale fournie pour serrer et desserrer la vis de la prise de l'amplificateur. Serrez le câble solidement avec la vis de la prise. Cependant, faites attention de ne pas serrer excessivement en contrôlant l'état du câble pendant le serrage car un serrage excessif de la vis de la prise du système de commande à distance peut endommager le câble.

Raccordement des bornes de sortie vers les haut-parleurs

Taille des câbles de haut-parleur

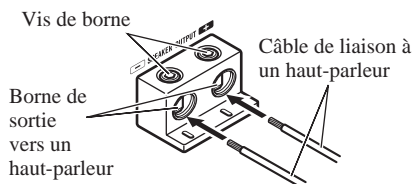
Longueur du câble	moins de 5,2 m	moins de 8,2 m	moins de 13,4 m
Section du câble	8 AWG	6 AWG	4 AWG

1. **Dénudez l'extrémité des câbles de haut-parleurs sur environ 18 mm à 20 mm en utilisant des pinces ou un cutter.**



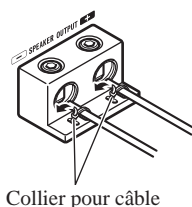
2. **Reliez les câbles de liaisons aux haut-parleurs aux bornes de sortie vers les haut-parleurs.**

- Serrez soigneusement les cosses au moyen des vis.



3. **Engagez les colliers de câble dans les fentes et liez les câbles au moyen des colliers.**

- Le collier doit entourer les câbles au niveau de leur isolant et non pas à hauteur de la partie dénudée.
- Coupez les parties en excès des colliers pour câble.



Raccordement de la borne d'alimentation

- Utilisez le câble de liaison à la batterie et le câble de masse conseillé; ils sont vendus séparément. Reliez le câble rouge à la borne positive (+) de la batterie et le câble de masse à la carrosserie du véhicule.
- La section conseillée des câbles est la suivante (suivant AWG, American Wire Gauge). Le câble de batterie, le câble de masse et le câble de mise à la masse directe doivent avoir la même section.
- Utilisez un câble de 10 AWG à 20 AWG pour le câble de commande à distance d'alimentation.

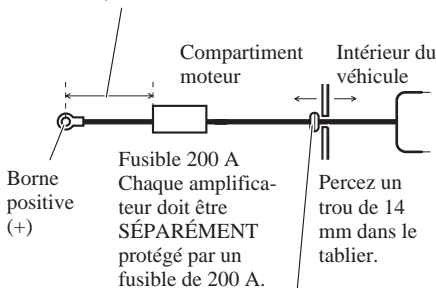
Section de câble de la batterie et câble de masse

Longueur du câble	moins de 3,6 m	moins de 6,4 m
Section du câble	6 AWG	4 AWG

1. Faites passer le câble de liaison à la batterie du compartiment moteur vers l'intérieur du véhicule.

- Après avoir effectué tous les autres raccordements de l'amplificateur, reliez la borne d'alimentation de l'amplificateur à la borne positive (+) de la batterie.

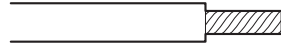
La longueur maximale du câble entre le fusible et la borne positive (+) de la batterie, est de 45 cm.



Engagez le passe-câble en caoutchouc dans le perçage pour assurer la protection du câble.

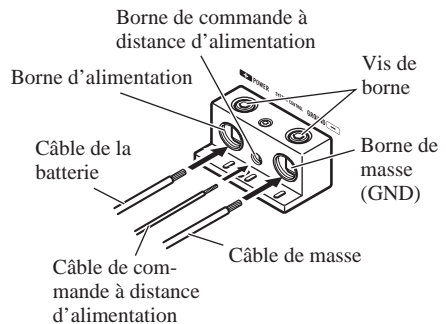
2. Dénudez l'extrémité des câbles en utilisant des pinces ou un cutter.

- Câble de la batterie, câble de masse: 18 mm à 20 mm
- Câble de commande à distance d'alimentation: 14 mm à 16 mm



3. Reliez les câbles aux bornes.

- Serrez soigneusement les câbles au moyen des vis.

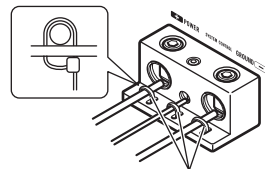


⚠ ATTENTION

Faute de serrer soigneusement le câble de batterie sur la borne au moyen d'une vis de borne, une élévation importante de température de la borne peut se produire et provoquer des dommages et blessures, y compris brûlures légères.

4. Engagez les colliers de câble dans les fentes et liez les câbles au moyen des colliers.

- Le collier doit entourer les câbles au niveau de leur isolant et non pas à hauteur de la partie dénudée.
- Coupez les parties en excès des colliers pour câble.



Collier pour câble

Réglage du gain de l'amplificateur associé

Après avoir relié les câbles des haut-parleurs, réglez la commande de gain de l'amplificateur associé. Les amplificateurs associés suivent les réglages de l'amplificateur maître.

Réglage sommaire du gain

Réglez la commande de gain de chaque amplificateur sur la position NORMAL. Ce réglage est suffisant pour obtenir une sortie équilibrée dans la majeure partie des cas.

Réglage fin du gain

Réglez la commande de gain de chaque amplificateur associé, en commençant par l'amplificateur maître.

1. À l'aide de ce système, générez une sinusoïde de basse amplitude.
2. Au moyen d'un voltmètre, mesurez l'amplitude de la tension de sortie de l'amplificateur maître.
3. Au moyen d'un voltmètre, mesurez l'amplitude de la tension de sortie de l'amplificateur associé.
4. Au moyen de la commande de gain de l'amplificateur associé, réglez la tension de sortie de l'amplificateur associé au même niveau que celle de l'amplificateur maître.
5. Répétez les mêmes opérations, dans l'ordre, pour tous les amplificateurs associés.

Connexion des câbles des haut-parleurs

Connectez les câbles de haut-parleurs et réglez le commutateur MODE SELECT correctement en fonction de la configuration et des illustrations ci-dessous et de la page suivante.

- Lors de la connexion de deux amplificateurs ou plus en combinaison de façon synchrone, utilisez uniquement ces amplificateurs. Ne les mélangez pas avec d'autres amplificateurs.
- Lors de la connexion de deux amplificateurs ou plus en combinaison de façon synchrone, réglez la commande de gain, le sélecteur infrasonore, la commande de la fréquence de coupure pour LPF et la commande d'accentuation des graves sur l'amplificateur dont le commutateur MODE SELECT a été réglé sur MASTER. Ces réglages, à l'exception de la commande du gain, sont inactifs sur un amplificateur qui a été réglé sur SYNC ou SYNC INV. Pour les détails concernant les opérations de commande du gain, reportez-vous à "Réglage du gain de l'amplificateur associé".

! PRÉCAUTION

Diagramme A - Correct

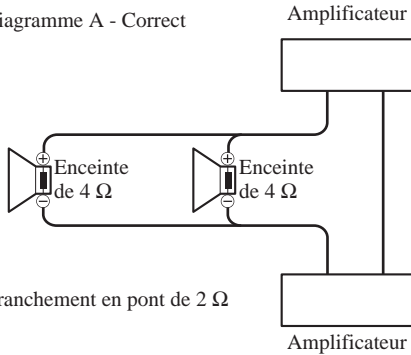
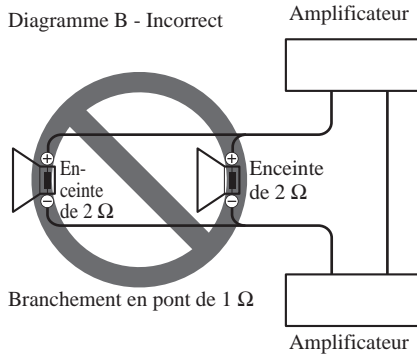


Diagramme B - Incorrect



NE PAS installer ou utiliser cet amplificateur en câblant des haut-parleurs de 2 Ω (ou moins) en parallèle pour obtenir un branchement en pont de 1 Ω (ou moins) (schéma B).

Ce type de branchement incorrect peut provoquer des détériorations, de la fumée et une surchauffe de l'amplificateur. Le boîtier de l'amplificateur peut aussi devenir chaud et être à l'origine de brûlures légères.

Pour installer ou utiliser correctement un branchement en pont et obtenir une charge de 2 Ω, câbler deux haut-parleurs de 4 Ω en parallèle avec Gauche + et Droite - (schéma A) ou utiliser un seul haut-parleur de 2 Ω.

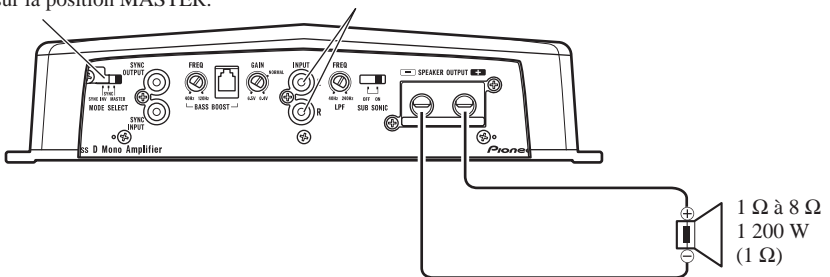
De plus, reportez-vous au manuel d'instructions des haut-parleurs pour en savoir plus sur la procédure de connexion correcte.

Amplificateur unique

Le commutateur MODE SELECT doit être sur la position MASTER.

Connectez à un autoradio.

Pour les détails, référez-vous à la section "Schéma de raccordement".

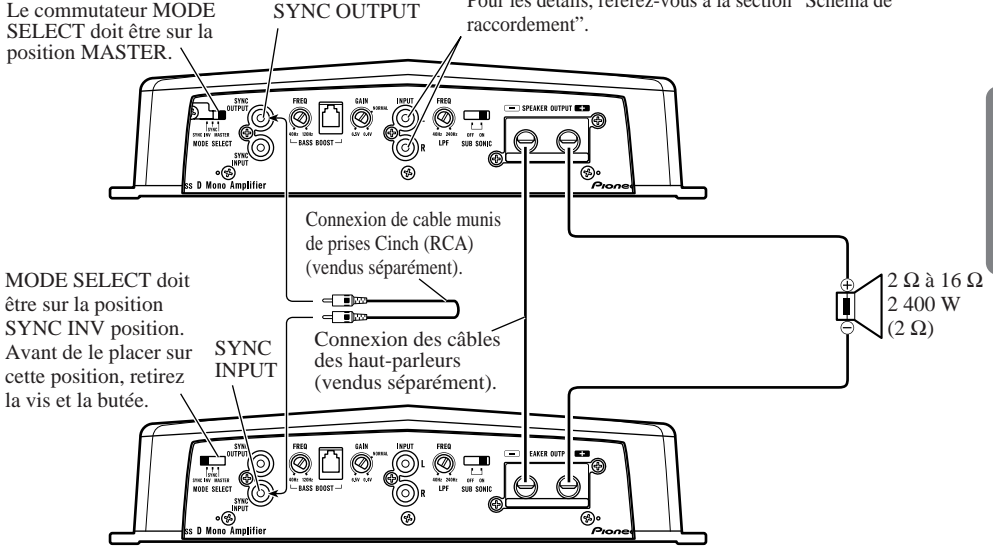


- Utilisez des haut-parleurs avec une impédance comprise entre 1 Ω et 8 Ω.

Deux amplificateurs (connexion en pont ex.)

Le commutateur MODE SELECT doit être sur la position MASTER.

Connectez à un autoradio.
Pour les détails, référez-vous à la section "Schéma de raccordement".



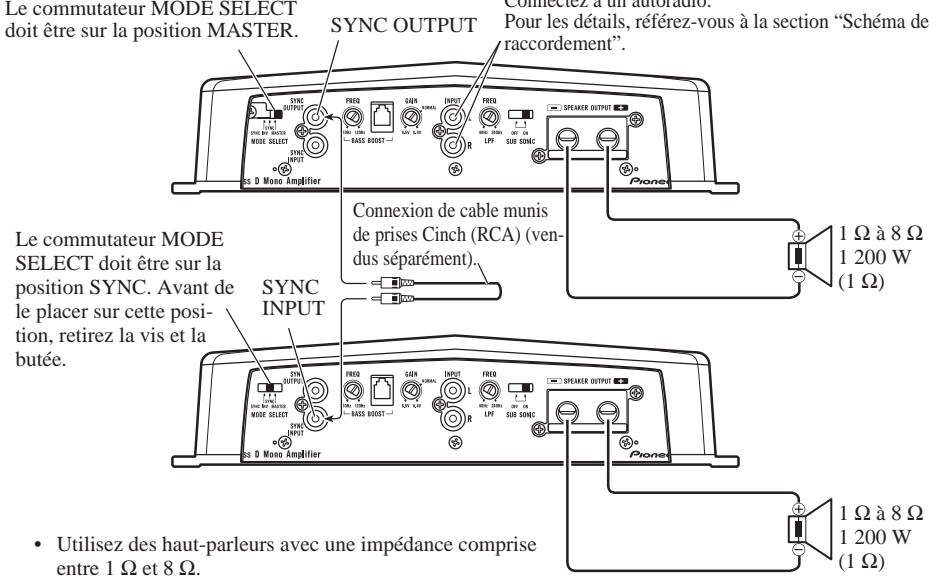
MODE SELECT doit être sur la position SYNC INV position. Avant de le placer sur cette position, retirez la vis et la butée.

- Utilisez uniquement des haut-parleurs avec une impédance comprise entre 2 Ω et 16 Ω. De plus en cas de connexion de plusieurs haut-parleurs avec un pont, vérifiez que l'impédance synthétique est d'au moins 2 Ω.

Deux amplificateurs

Le commutateur MODE SELECT doit être sur la position MASTER.

Connectez à un autoradio.
Pour les détails, référez-vous à la section "Schéma de raccordement".



Le commutateur MODE SELECT doit être sur la position SYNC. Avant de le placer sur cette position, retirez la vis et la butée.

- Utilisez des haut-parleurs avec une impédance comprise entre 1 Ω et 8 Ω.

Raccordement de l'appareil

Quatre amplificateurs (connexion en pont ex.)

Le commutateur MODE SELECT doit être sur la position MASTER.

Connectez à un autoradio.
Pour les détails, référez-vous à la section "Schéma de raccordement".

MODE SELECT doit être sur la position SYNC INV position. Avant de le placer sur cette position, retirez la vis et la butée.

Connexion de câble munis de prises Cinch (RCA) (vendus séparément).

Connexion des câbles des haut-parleurs (vendus séparément).

MODE SELECT doit être sur la position SYNC INV position. Avant de le placer sur cette position, retirez la vis et la butée.

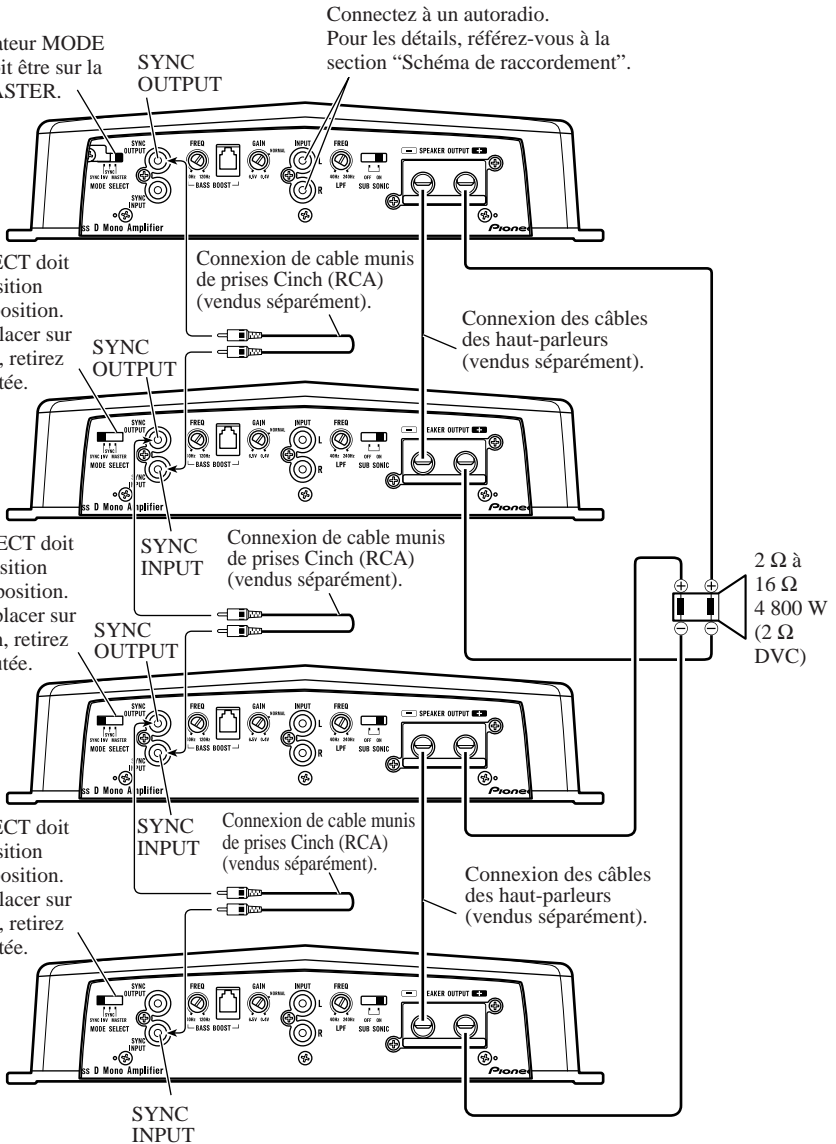
Connexion de câble munis de prises Cinch (RCA) (vendus séparément).

2 Ω à 16 Ω
4 800 W
(2 Ω DVC)

MODE SELECT doit être sur la position SYNC INV position. Avant de le placer sur cette position, retirez la vis et la butée.

Connexion de câble munis de prises Cinch (RCA) (vendus séparément).

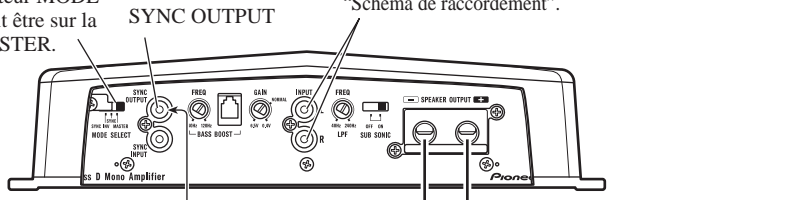
Connexion des câbles des haut-parleurs (vendus séparément).



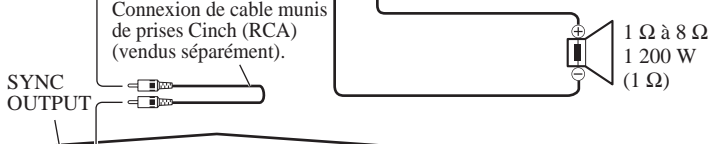
- Utilisez uniquement des haut-parleurs avec une impédance comprise entre 2 Ω et 16 Ω. De plus en cas de connexion de plusieurs haut-parleurs avec un pont, vérifiez que l'impédance synthétique est d'au moins 2 Ω.

Quatre amplificateurs

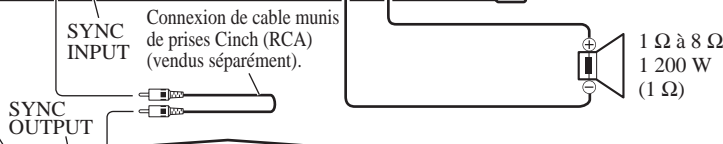
Le commutateur MODE SELECT doit être sur la position MASTER. Connectez à un autoradio. Pour les détails, référez-vous à la section "Schéma de raccordement".



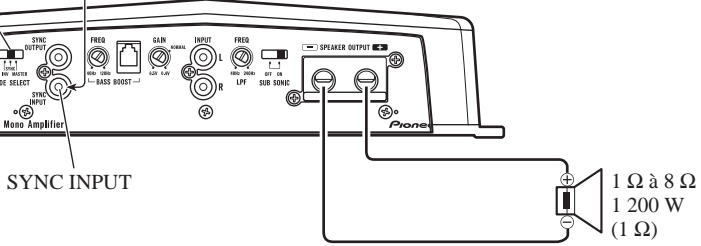
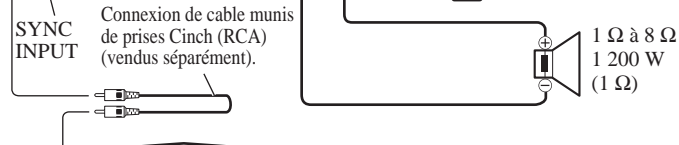
Le commutateur MODE SELECT doit être sur la position SYNC. Avant de le placer sur cette position, retirez la vis et la butée.



Le commutateur MODE SELECT doit être sur la position SYNC. Avant de le placer sur cette position, retirez la vis et la butée.



Le commutateur MODE SELECT doit être sur la position SYNC. Avant de le placer sur cette position, retirez la vis et la butée.



- Utilisez des haut-parleurs avec une impédance comprise entre 1 Ω et 8 Ω.

⚠ PRÉCAUTION

- N'installez pas l'appareil:
 - dans un endroit où il pourrait blesser un occupant du véhicule en cas d'arrêt brusque;
 - dans un endroit où il pourrait gêner le conducteur, par exemple devant son siège.
- Veillez à ce que les câbles ne puissent pas être pincés et endommagés par les sièges, ce qui peut conduire à un court-circuit.
- Avant d'effectuer un perçage requis par l'installation de l'amplificateur, assurez-vous que vous pouvez le faire sans danger pour les câbles, canalisations, flexibles, etc., qui sont placés derrière le panneau que vous devez percer.
- Posez les vis autotaraudeuses de manière que leur extrémité ne puisse pas endommager les câbles. Il est important que l'isolant d'un câble ne soit pas endommagé par le frottement sur une pièce, ce qui pourrait ultérieurement entraîner un court-circuit.
- **NE LAISSEZ PAS** l'amplificateur entrer en contact avec des liquides à cause, par exemple, de l'emplacement où il a été placé. Cela pourrait entraîner une secousse électrique. De plus, le contact avec un liquide pourrait endommager l'amplificateur et les enceintes, produire de la fumée ou surchauffer l'appareil. Enfin, la surface de l'amplificateur et des enceintes connectées peut devenir chaude au toucher et entraîner de légères brûlures.
- Pour effectuer convenablement l'installation, utilisez les pièces fournies et procédez comme il est indiqué. L'utilisation de pièces autres que celles fournies peut endommager l'amplificateur.
- Ne remplacez pas le fusible par un fusible de plus grande valeur ou de plus grand calibre. L'utilisation d'un fusible inadapté peut entraîner une surchauffe et de la fumée, et peut provoquer l'endommagement de l'appareil et des blessures, y compris des brûlures.

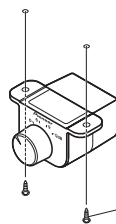
⚠ PRÉCAUTION

Pour éviter toute anomalie de fonctionnement ou blessure

- Pour que la chaleur puisse se dissiper sans mal, respectez ce qui suit:
 - veillez à ce qu'un espace dégagé existe au-dessus de l'amplificateur;
 - ne recouvrez pas l'amplificateur d'un tapis ou d'une moquette.
- **NE LAISSEZ PAS** l'amplificateur entrer en contact avec des liquides à cause, par exemple, de l'emplacement où il a été placé. Cela pourrait entraîner une secousse électrique. De plus, le contact avec un liquide pourrait endommager l'amplificateur et les enceintes, produire de la fumée ou surchauffer l'appareil. Enfin, la surface de l'amplificateur et des enceintes connectées peut devenir chaude au toucher et entraîner de légères brûlures.
- N'installez pas l'amplificateur sur une surface instable telle que le tapis amovible cachant la roue de secours.
- Le meilleur emplacement d'installation dépend du véhicule, mais, quoi qu'il en soit, doit être rigide et solide.
- Effectuez tout d'abord des raccordements temporaires pour vous assurer que l'amplificateur et les autres appareils fonctionnent correctement.
- Choisissez un emplacement qui permette le retrait sans peine de la roue de secours, du cric et de la boîte à outils.

Fixation de la télécommande d'accentuation des graves

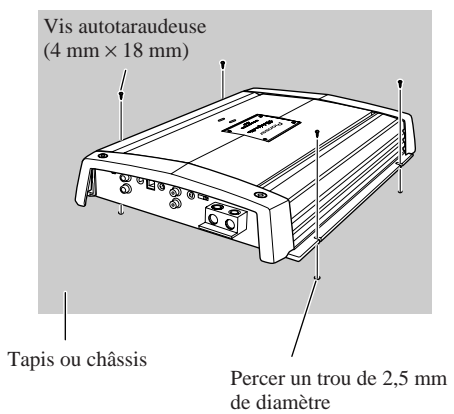
Fixez-la avec les vis autotaraudeuses (3 mm × 10 mm) dans un endroit facile d'accès tel que sous le tableau de bord.



Vis autotaraudeuse
(3 mm × 10 mm)

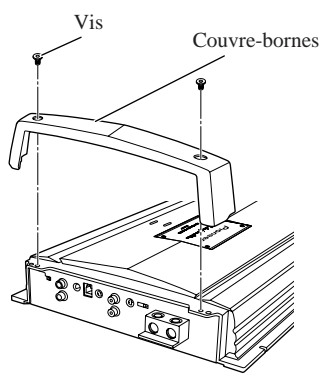
Exemple d'installation sur le tapis de sol ou sur le châssis

1. Posez l'amplificateur à l'emplacement choisi. Introduisez les vis autotaraudeuses fournies (4 mm × 18 mm) dans les perçages. Appuyez fermement sur les vis au moyen d'un tournevis pour marquer les points de perçage.
2. Percer des trous de 2,5 mm de diamètre aux emplacements marqués puis fixez l'amplificateur soit à travers le tapis, soit directement sur le châssis.



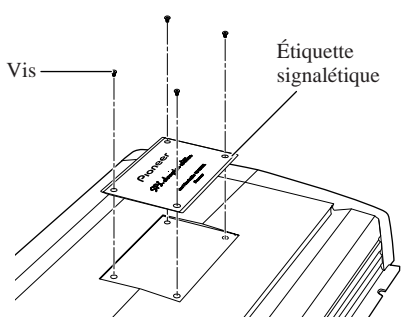
Remise en place du couvre-bornes

1. Alignez l'appareil et le couvre-bornes et insérez les vis.
2. Serrez les vis avec un tournevis à pointe hexagonale de 4 mm.



Changement de la direction de l'étiquette signalétique

1. Pour retirer l'étiquette signalétique, desserrez les vis en utilisant une clé hexagonale de 2 mm.
2. Changez la direction de l'étiquette signalétique, puis serrez les vis avec la clé hexagonale.



Guide de dépannage

Les témoins suivants s'allument momentanément quand l'amplificateur est mis sous tension. Ce n'est pas un mauvais fonctionnement.

Témoin HEAT

- Ce témoin s'allume en jaune quand la température interne de l'amplificateur augmente. Si cela se produit, arrêtez immédiatement d'utiliser l'amplificateur et vérifiez l'emplacement d'installation (reportez-vous à la section "ATTENTION" de la page 2). Contactez votre revendeur si le problème ne peut pas être corrigé.

Témoin PROTECT

- Ce témoin clignote ou s'allume en rouge quand un certain type de problème se produit dans l'amplificateur. Si cela se produit, arrêtez immédiatement d'utiliser l'amplificateur et vérifiez les connexions (reportez-vous à la section "ATTENTION" de la page 2). Contactez votre revendeur si le problème ne peut pas être corrigé.

Caractéristiques techniques

Alimentation	14,4 V CC (10,8 V à 15,1 V permis)
Mise à la masse	Pôle négatif de la batterie
Consommation de courant	44 A (à la puissance continue, 4 Ω)
Consommation moyenne de courant*	12 A (4 Ω pour une voie) 26 A (2 Ω pour une voie) 34 A (1 Ω pour une voie)
Fusible	40 A × 4
Dimensions	381 (L) × 65 (H) × 282 (P) mm
Poids	6,0 kg (sans les câbles)
Puissance maximale de sortie	1 000 W × 1 (4 Ω) / 2 000 W × 1 (2 Ω) / 2 400 W × 1 (1 Ω)
Puissance continue (14,4 V).....	4 Ω, 20 Hz à 240 Hz, ≤ 1,0 % DHT, 500 W × 1 2 Ω, 50 Hz, ≤ 1,0 % DHT, 1 000 W × 1 1 Ω, 50 Hz, ≤ 2,0 % DHT, 1 200 W × 1
Impédance de charge	4 Ω (1 Ω à 8 Ω permis)
Réponse en fréquence	10 Hz à 240 Hz (+0 dB, -3 dB)
Rapport signal/bruit	80 dB (réseau IHF-A)
Distorsion	0,3 % (10 W / 4 Ω, 100 Hz)
Filtre passe-bas	Fréquence de coupure: 40 Hz à 240 Hz Pente: -24 dB/oct.
Filtre infrasonore (HPF)	Fréquence: 20 Hz Pente: -24 dB/oct.
Accentuation des graves	Fréquence: 40 Hz à 120 Hz Niveau: 0 / 6 / 9 / 12 dB
Commande de gain	RCA: 400 mV à 6,5 V
Niveau maximale / impédance d'entrée	RCA: 6,5 V / 22 kΩ

Puissance de sortie	500 W eff. × 1 voie (pour 4 Ω et ≤ 1% DHT+N) 1 000 W eff. × 1 voie (pour 50 Hz, 2 Ω et ≤ 1% DHT+N)
Rapport signal/bruit	54 dBA (référence: 1 W sur 4 Ω)



Remarque:

- Les caractéristiques et la présentation peuvent être modifiées sans avis préalable à fin d'amélioration.

* Consommation moyenne de courant

- Le courant moyen est proche du courant maximal lorsqu'un signal audio est appliqué à l'entrée de l'amplificateur. Utilisez cette valeur lorsque vous désirez calculer le courant total consommé par plusieurs amplificateurs de puissance.

Antes de usar este producto	1
Registro del producto	2
Sobre este producto	2
PRECAUCION	2
ADVERTENCIA	2
Ajuste de esta unidad	3
Interruptor MODE SELECT	3
Control de la frecuencia de refuerzo de graves	3
Control de nivel de refuerzo de los graves	3
Cubierta de terminales	3
Control de frecuencia de corte para LPF	3
Control de ganancia	4
Interruptor BFC (Control de la frecuencia de batido)	4
Indicador HEAT	4
Indicador PROTECT	4
Indicador de alimentación	4
Interruptor selector subsónico	4
Configuración apropiada de la ganancia	5
Conexión de la unidad	6
Diagrama de conexión	7
Conexiones de terminales sin soldadura	8
Conexión del terminal de salida de altavoz	8
Conexión del terminal de alimentación	9
Ajuste de la ganancia del amplificador sincronizado	10
Conexión de los cables de altavoces	10
Instalación	15
Instalación del control remoto de intensificación de los graves	15
Ejemplo de instalación en la alfombra del piso o en el chasis	16
Recolocación de la cubierta de terminales	16
Cambio de la dirección de la placa de identificación	16
Información adicional	17
Localización y solución de problemas	17
Especificaciones	18

Gracias por haber adquirido este producto PIONEER. Este producto ha sido diseñado para le proporcionar muchos años de disfrute.

PIONEER SUGIERE QUE SE PIDA LA INSTALACIÓN A UN ESPECIALISTA DE INSTALACIÓN DEBIDO A LA COMPLEJIDAD DE ESTE PRODUCTO.

Lea todas las instrucciones y **ADVERTENCIAS** en este manual antes de intentar operar el producto. En caso de cuestiones, póngase en contacto con su revendedor autorizado de Pioneer o con un especialista de instalación más próximo.

Servicio posventa para productos Pioneer

Póngase en contacto con el revendedor o distribuidor al que compró este producto para obtener el servicio posventa (incluidas las condiciones de garantía) o cualquier otra información. En caso de que no esté disponible la información necesaria, póngase en contacto con las empresas enumeradas abajo.

No envíe su producto para su reparación a las empresas cuyas direcciones se indican abajo sin haberse puesto antes en contacto con ellas.

■ EE.UU.

Pioneer Electronics (USA) Inc.
CUSTOMER SUPPORT DIVISION
P.O. Box 1760
Long Beach, CA 90801-1760
800-421-1404

■ CANADÁ

Pioneer Electronics of Canada, Inc.
CUSTOMER SATISFACTION
DEPARTMENT
300 Allstate Parkway
Markham, Ontario L3R OP2
1-877-283-5901

Para obtener información sobre la garantía, véase la hoja de Garantía limitada adjunta a este producto.

Registro del producto

Visítenos en el siguiente sitio:


<http://www.pioneerelectronics.com>

- 1 Registre su producto. Conservaremos los datos de su compra archivados para que pueda consultar esta información en el caso de que deba efectuar un reclamo al seguro ante una eventualidad tal como pérdida o robo.
- 2 Reciba informes actualizados sobre los últimos productos y tecnologías.
- 3 Descargue manuales de instrucciones, solicite catálogos de productos, busque nuevos productos y disfrute de muchos beneficios más.

Sobre este producto

Este producto es un amplificador para altavoz de subgraves. Si ambos los canales L (izquierdo) y R (derecho) se conectan a la entrada RCA de este producto, la salida se mezcla ya que este producto es un amplificador monofónico.



PRECAUCION

- No reemplace nunca el fusible por uno con un valor de régimen mayor que el fusible original. El uso de un fusible inadecuado podría causar el sobrecalentamiento o humo, así como podría causar daños al producto y lesiones, incluyendo quemaduras.
- Utilice la llave hexagonal suministrada para apretar los tornillos al fijar los hilos a los terminales o al cambiar la dirección de la placa de identificación. El uso de una llave hexagonal larga disponible comercialmente puede causar la aplicación de un par de apriete excesivo, resultando en daños a los terminales y hilos.

ADVERTENCIA

- Utilice siempre los cables de batería y de conexión a tierra recomendados, que se venden separadamente. Conecte el cable de batería directamente al terminal positivo de la batería del vehículo (+) y el cable de tierra a la carrocería del vehículo.
- No toque en el amplificador con las manos mojadas. Caso contrario, usted puede llevar un choque eléctrico. Igualmente, no toque en el amplificador cuando esté mojado.
- Para seguridad del tráfico y para mantener condiciones de conducción seguras, mantenga el volumen suficientemente bajo de manera que aun se pueda escuchar el sonido del tráfico normal.
- Verifique las conexiones del suministro de energía y altavoces para ver si el fusible del cable de batería vendido separadamente o el fusible del amplificador se queman. Detecte la causa y solución el problema, y reemplace el fusible con un otro del mismo tamaño y régimen.
- Para evitar mal funcionamiento del amplificador y altavoz de subgraves, el circuito de protección cortará la alimentación al amplificador (el sonido se detendrá) cuando se produzca una situación anormal. En tal caso, apague el sistema y verifique la conexión de la alimentación y altavoz de subgraves. Detecte la causa y resuelva el problema.
- Contacte a su distribuidor si no puede detectar la causa.
- Para evitar choques eléctricos o cortocircuitos durante la conexión e instalación, asegúrese de desconectar el terminal negativo (-) de la batería antes de proceder.
- Confirme que ninguna parte quede detrás del panel, cuando perforo un orificio para la instalación del amplificador. Asegúrese de proteger todos los cables y equipos importantes, tales como líneas de combustibles, líneas de frenos y el cableado eléctrico.
- NO permita que el amplificador entre en contacto con líquidos debido a, por ejemplo, la localización donde el amplificador esté instalado. Esto podría causar una sacudida eléctrica. El contacto con líquidos también podría causar daños y sobrecalentamiento al amplificador e altavoces. Además, la superficie del amplificador y la superficie de cualquier altavoz instalado también podrían ponerse muy calientes al tacto, pudiendo causar pequeñas quemaduras.

Interruptor MODE SELECT

Puede seleccionar el modo de sincronización de amplificador entre MASTER, SYNC y SYNC INV. Ajuste el interruptor MODE SELECT a la posición MASTER cuando utilice un amplificador solamente. Cuando utilice en sincronismo, conectando dos o más amplificadores en combinación, ajuste el primer amplificador a MASTER, y ajuste los amplificadores restantes a SYNC o SYNC INV de acuerdo con la forma en que estén conectados. La única vez que se cambia el amplificador al modo SYNC INV es cuando los amplificadores están conectados sincrónicamente con el puente externo.

Cuando cambie al modo SYNC o SYNC INV, quite el tornillo y el retenedor. Quite el tornillo y el retenedor después de comprobar que las conexiones estén correctas. Consulte la sección "Conexión de los cables de altavoces" para los detalles sobre el interruptor MODE SELECT.

Control de la frecuencia de refuerzo de graves

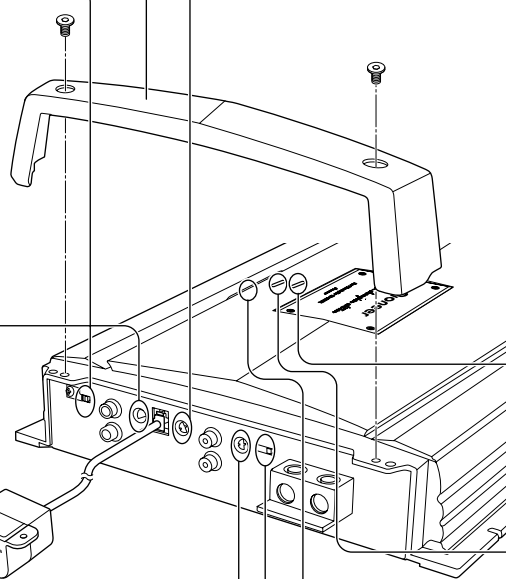
Se puede seleccionar una frecuencia de refuerzo de graves desde 40 Hz a 120 Hz con el control de refuerzo de graves.

Control de nivel de refuerzo de los graves

Se puede seleccionar un nivel de refuerzo de graves de 0, 6, 9 y 12 dB. Para las instrucciones acerca de la conexión del control remoto de refuerzo de graves al amplificador, consulte la sección "Diagrama de conexión".

Cubierta de terminales

Antes de montar la unidad, desapriete los tornillos con una llave hexagonal de 4 mm y quite la cubierta de terminales.



Control de frecuencia de corte para LPF

Se puede seleccionar una frecuencia de corte de 40 Hz a 240 Hz.

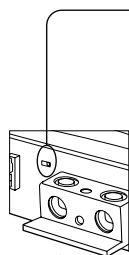
Control de ganancia

Si el nivel del sonido está muy bajo, aún cuando se aumenta el volumen del equipo estéreo para automóvil usado con este amplificador de potencia, gire a la derecha el control de ganancia. Si hay distorsión del sonido cuando se aumenta el volumen del equipo estéreo de automóvil, gire los controles a la izquierda.

- Cuando se usa un estéreo de automóvil equipado con RCA (salida estándar de 500 mV), ajuste a la posición NORMAL. Cuando use con un estéreo de automóvil Pioneer equipado con RCA con una salida máxima de 4 V o más, ajuste el nivel para adecuarse al nivel de salida del estéreo del automóvil.
- Para el control de ganancia del amplificador sincronizado, consulte la sección "Ajuste de la ganancia del amplificador sincronizado".

Interruptor BFC (Control de la frecuencia de batido)

Si se oye un batido durante la escucha de una transmisión AM con el equipo estéreo de automóvil, cambie el interruptor BFC utilizando un destornillador pequeño.



Indicador HEAT (Amarillo)

Esto indica un problema con el amplificador. Para los detalles, consulte la sección "Localización y solución de problemas" en la página 17.

Indicador PROTECT (Rojo)

Esto indica un problema con el amplificador. Para los detalles, consulte la sección "Localización y solución de problemas" en la página 17.

Indicador de alimentación (Azul)

El indicador de alimentación se ilumina cuando la unidad se encuentra activada.

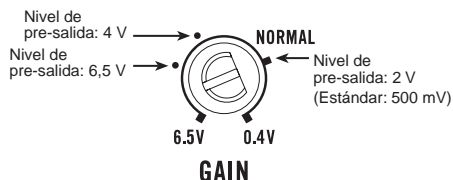
Interruptor selector subsónico

El filtro subsónico corta las frecuencias inaudibles inferiores a 20 Hz, para eliminar las vibraciones indeseables y minimizar la pérdida de potencia.

Configuración apropiada de la ganancia

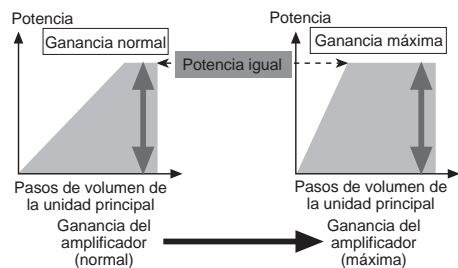
- Esta unidad está equipada con una función de protección para evitar el fallo de funcionamiento de la propia unidad y de los altavoces debido a una salida muy alta, uso inadecuado o conexión incorrecta.
- Al producir el sonido a un volumen alto, etc., esta función cortará la salida del sonido en algunos segundos. Sin embargo, esto no es un fallo de funcionamiento. Al bajar el volumen de la unidad principal, se restaurará la salida del volumen.
- Si se corta la salida del sonido, puede que se ajuste incorrectamente el control de ganancia de esta unidad. Para asegurar la salida continua del sonido al volumen aumentado de la unidad principal, ajuste el control de ganancia del amplificador a una posición adecuada de acuerdo con el nivel de salida máximo de la pre-salida de la unidad principal.

Control de ganancia de esta unidad



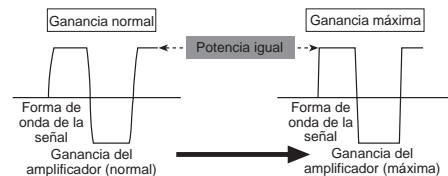
No hay necesidad de disminuir el volumen de la unidad principal y se controla una salida muy alta.

Relación entre la ganancia del amplificador y la potencia de salida de la unidad principal



- Si se eleva la ganancia del amplificador a un nivel inadecuado, solamente la distorsión aumenta, mientras la potencia aumenta solamente un poco.

Forma de onda de la señal con la salida de volumen alto por el control de ganancia del amplificador



- Cuando la salida alta de la forma de onda de señal está con distorsión, si se eleva la ganancia del amplificador, la potencia cambia solamente un poco.
- Si disminuye el volumen de la unidad principal y ajusta el control de ganancia del amplificador a una posición adecuada, pero todavía se corta el sonido de vez en cuando, póngase en contacto con la Estación de Servicio PIONEER autorizada más cercana.



PRECAUCION

- Quite el terminal negativo (-) de la batería para evitar riesgo de cortocircuitos y daño a la unidad.
- Asegure el alambrado con abrazaderas de cable o cinta adhesiva. Para proteger el alambrado, envuelva cinta adhesiva alrededor de ellos en donde contacta con partes metálicas.
- No tienda cables por donde puedan calentarse, por ejemplo donde el calentador sople sobre ellos. Si la aislación se calienta, podría resultar dañada, resultando en cortocircuito a través de la carrocería del vehículo.
- El amplificador aumenta la carga en la batería y en el sistema de carga. Asegúrese de que el alternador y la batería del vehículo tengan capacidad suficiente para este amplificador. Se recomienda el uso de una batería de trabajo pesado, una conexión paralela de baterías ordinarias o un capacitor de almacenaje de energía.

- Asegúrese que los alambres no interfieran con partes móviles del vehículo como la palanca de cambios, el freno de mano o el mecanismo de deslizamiento de los asientos.
- No corte ningún cable. De otra manera, el circuito de protección podría no funcionar cuando debiera.
- Nunca alimente otro equipo cortando la aislación del cable de alimentación y conectándolo al cable. La capacidad de corriente del cable será excedida, causando sobrecalentamiento.
- No reemplace nunca el fusible por uno con un valor de régimen mayor que el fusible original. El uso de un fusible inadecuado podría causar el sobrecalentamiento o humo, así como podría causar daños al producto y lesiones, incluyendo quemaduras.



PRECAUCION

Para evitar daños y/o lesiones

- No conecte a tierra (masa) el cable del altavoz directamente ni conecte un cable negativo (-) a varios altavoces.
- Esta unidad es para vehículos con una batería de 12 voltios y terminal negativo a tierra. Antes de instalar en un vehículo de recreación, camión u ómnibus, verifique el voltaje de la batería.
- Si el sistema estereofónico del coche está funcionando por un largo período de tiempo mientras el motor permanece inactivo o en marcha al ralentí, la batería puede agotarse. Apague el estéreo de automóvil cuando el motor se encuentre funcionando en marcha al ralentí o permanece inactivo.
- Si el cable del control remoto del sistema del amplificador se conecta al terminal de alimentación a través del interruptor de encendido (12 V de CC), el amplificador estará siempre activado cuando el encendido está activado, sin considerar de si el estéreo de automóvil se encuentra activado o desactivado. Debido a esto, la batería puede agotarse si deja el motor funcionando en marcha al ralentí o permanece inactivo.
- NO conecte un altavoz de subgraves con una impedancia inferior a la especificada en la sección "Conexión de los cables de altavoces". Una conexión no especificada podría causar daños, desprendimiento de humo y sobrecalentamiento del amplificador. La superficie del amplificador también podría ponerse caliente al tacto y esto podría resultar en quemaduras ligeras.

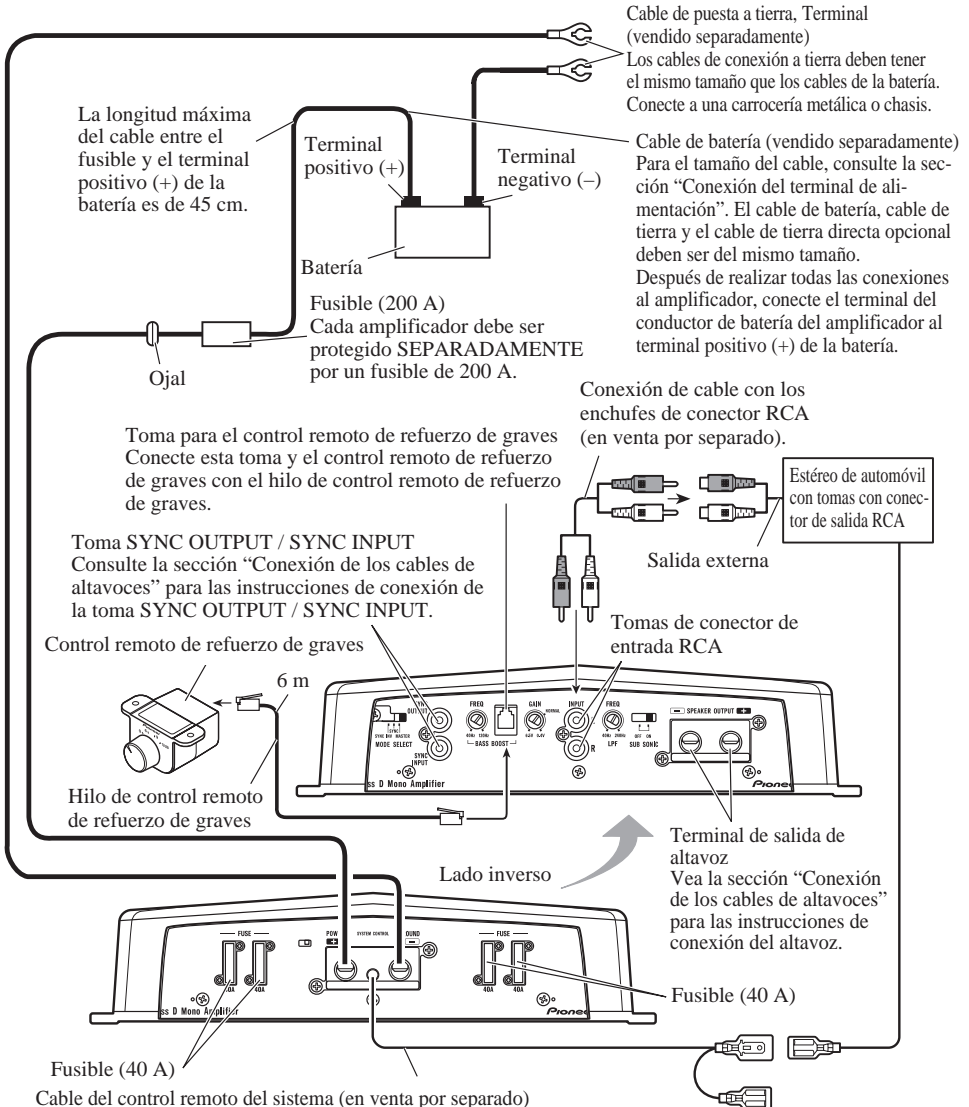
- Conecte uno de los tres altavoces de subgraves al amplificador; 1: un altavoz de subgraves con una entrada nominal de 500 W o mayor y una impedancia de 4 Ω , 2: un altavoz con una entrada nominal de 1 000 W y una impedancia de 2 Ω o 3: un altavoz con una entrada nominal de 1 200 W y una impedancia de 1 Ω . Si la entrada nominal y la impedancia están fuera de los rangos arriba, el altavoz de subgraves puede incendiarse, emitir humo o averiarse.
- Instale y coloque el cable de batería vendido separadamente lo más alejado posible de los cables de los altavoces. Instale y coloque el cable de batería y cable de tierra vendidos separadamente, los cables de los altavoces, y el amplificador lo más alejados posible de la antena, cable de antena y sintonizador.

- Los cables para esta unidad y aquellas para las unidades pueden ser de colores diferentes aun si tienen la misma función. Cuando se conecta esta unidad a otra, refiérase a los manuales de ambas unidades y conecte los cables que tienen la misma función.

Conexión de la unidad

Diagrama de conexión

- En el caso de conectar la salida externa de un equipo estéreo de automóvil a una entrada RCA, utilice la toma para la salida de gama completa. La razón para esto es que no se puede desactivar el LPF del amplificador. Si no se puede utilizar esta toma, conecte la tomada de salida del altavoz de subgraves a la entrada RCA.



Cable del control remoto del sistema (en venta por separado)

Conecte el terminal macho de este hilo al terminal de control remoto de sistema del equipo estéreo para automóvil (SYSTEM REMOTE CONTROL). El terminal hembra puede ser conectado al terminal de control del relé de antena. Si el estéreo de automóvil no tiene un terminal de control remoto del sistema, conecte el terminal macho al terminal de alimentación a través del interruptor de encendido.

Conexiones de terminales sin soldadura

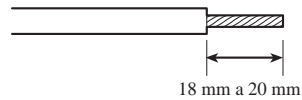
- Como el hilo se aflojará con el tiempo, se debe inspeccionar y apretarlo periódicamente como sea necesario.
- No suelde o enlace los extremos de los conductores torcidos.
- Apriete asegurándose de no fijar la vaina de aislamiento del hilo.
- Utilice la llave hexagonal suministrada para apretar y aflojar el tornillo de terminal del amplificador. Fije firmemente el hilo con lo tornillo de terminal. Sin embargo, como el apriete excesivo del tornillo de terminal del mando a distancia de sistema puede dañar el hilo, tenga cuidado en no apretar excesivamente, observando el estado del hilo cuando apriete.

Conexión del terminal de salida de altavoz

Tamaño del hilo de altavoz

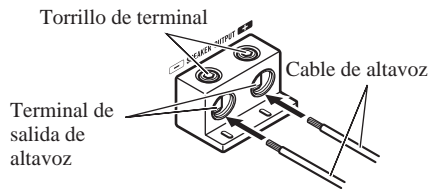
Longitud del cable	inferior a 5,2 m	inferior a 8,2 m	inferior a 13,4 m
Tamaño del cable	8 AWG	6 AWG	4 AWG

1. Utilice alicates o un cortador para exponer el extremo de los hilos de altavoz unos 18 mm a 20 mm.



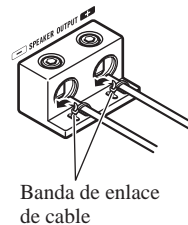
2. Conecte los cables de altavoz al terminal de salida de altavoz.

- Fije los cables firmemente utilizando los tornillos para terminales.



3. Ponga las bandas de enlace de cable en las ranuras y arrolle las bandas de enlace alrededor de los cables.

- Arrolle la banda de enlace de cable alrededor del aislamiento de cable, y no en el hilo desnudo.
- Corte cualquier porción excesiva de los amarres de los hilos.



Conexión del terminal de alimentación

- Utilice siempre los cables de batería y de conexión a tierra recomendados, que se venden separadamente. Conecte el cable de batería directamente al terminal positivo de la batería del vehículo (+) y el cable de tierra a la carrocería del vehículo.
- A continuación se indica el tamaño recomendado para los cables (AWG: American Wire Gauge). El cable de batería, cable de tierra y el cable de tierra directa opcional deben ser del mismo tamaño.
- Utilice un hilo de 10 AWG a 20 AWG para el hilo de control remoto del sistema.

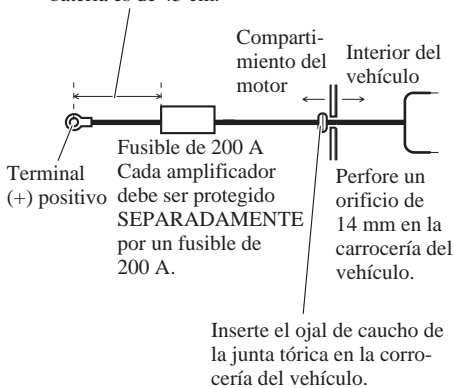
Tamaño del cable de batería y cable de puesta a tierra

Longitud del cable	inferior a 3,6 m	inferior a 6,4 m
Tamaño del cable	6 AWG	4 AWG

1. Pase el cable de batería desde el compartimiento del motor al interior del vehículo.

- Luego de hacer todas las otras conexiones al amplificador, conecte el terminal del conductor de batería del amplificador al terminal positivo (+) de la batería.

La longitud máxima del cable entre el fusible y el terminal positivo (+) de la batería es de 45 cm.



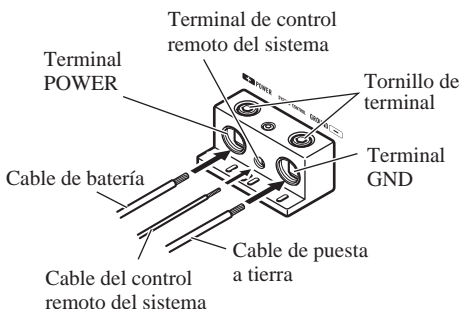
2. Utilice alicates o un cortador para exponer el extremo de los hilos.

- Hilo de batería, hilo de puesta a tierra: 18 mm a 20 mm
- Hilo del control remoto de sistema: 14 mm a 16 mm



3. Conecte los cables al terminal.

- Fijar los cables firmemente utilizando los tornillos para terminales.

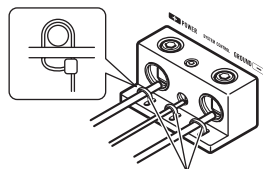


⚠ ADVERTENCIA

Dejar de apretar firmemente el cable de puesta a tierra al terminal usando los tornillos para terminales podría causar el sobrecalentamiento del área de los terminales, así como podría causar daños y lesiones incluyendo pequeñas quemaduras.

4. Ponga las bandas de enlace de cable en las ranuras y arrolle las bandas de enlace alrededor de los cables.

- Arrolle la banda de enlace de cable alrededor del aislamiento de cable, y no en el hilo desnudo.
- Corte cualquier porción excesiva de los amarres de los hilos.



Banda de enlace de cable

Ajuste de la ganancia del amplificador sincronizado

Después de conectar los cables de altavoces, ajuste cada control de ganancia del amplificador sincronizado. Todos los amplificadores sincronizados siguen los ajustes del amplificador principal.

Configuración rápida de la ganancia

Ajuste el control de ganancia de cada amplificador sincronizado a la posición NORMAL. Este ajuste compensará los volúmenes de salida lo suficiente para la mayoría de las aplicaciones.

Configuración avanzada de la ganancia

Comenzando con el amplificador principal, ajuste el control de ganancia de cada amplificador sincronizado en orden.

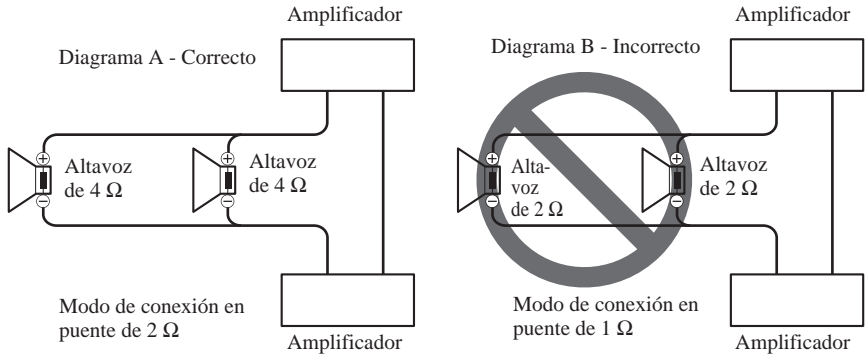
1. Genere una onda sinusoidal a través de este sistema a un nivel de salida bajo.
2. Utilice un voltímetro para medir el nivel de voltaje de salida del amplificador.
3. Utilice un voltímetro para medir el nivel de voltaje de salida del amplificador sincronizado.
4. Iguale la salida del amplificador sincronizado con la salida del amplificador principal utilizando el control de ganancia del amplificador sincronizado.
5. Repita esto para cada amplificador sincronizador en la secuencia apropiada.

Conexión de los cables de altavoces

Conecte los hilos de altavoz y ajuste el interruptor MODE SELECT de acuerdo con la configuración que se utilice refiriéndose a las figuras que se muestran a continuación y en la página siguiente.

- Cuando conecte sincrónicamente dos o más amplificadores en combinación, utilice solamente estos amplificadores. No mezcle estos amplificadores con otros amplificadores.
- Cuando conecte sincrónicamente dos o más amplificadores en combinación, ajuste el control de ganancia, interruptor de selección subsónica, control de frecuencia de corte para LPF y control de refuerzo de graves en el amplificador que ha ajustado a MASTER con el interruptor MODE SELECT. Excepto para el control de ganancia, estas configuraciones están inactivas en un amplificador que no ha sido configurado para SYNC o SYNC INV. Para los detalles acerca de la operación de control de ganancia, consulte la sección "Ajuste de la ganancia del amplificador sincronizado".

PRECAUCION



NO instale o use este amplificador mediante la conexión de los cables de las bocinas de 2 Ω nominales (o menos) en paralelo para lograr un modo en puente de 1 Ω (o menos) (Diagrama B).

Realizar un puente incorrecto podría resultar en un sobrecalentamiento y daño del amplificador, así como en un desprendimiento de humo del mismo. La superficie del amplificador podría también ponerse caliente al tacto y resultar en quemaduras ligeras.

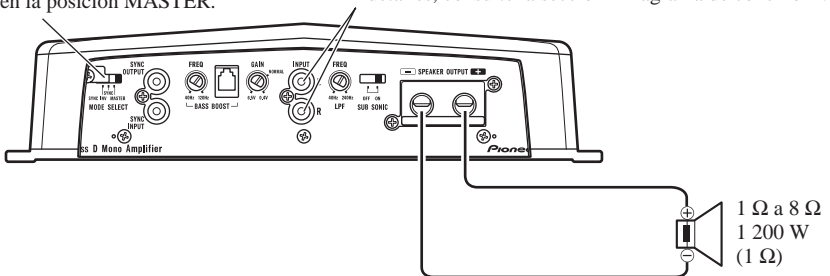
Para instalar o usar adecuadamente el modo de puente y lograr una carga de 2 Ω, conecte los cables de dos bocinas de 4 Ω en paralelo con Izquierdo + y Derecho - (Diagrama A), o use una sola bocina de 2 Ω.

Además, consulte el manual de instrucciones de los altavoces para más información sobre el procedimiento correcto de conexión.

Amplificador simple

El interruptor MODE SELECT debe estar en la posición MASTER.

Conecte a un equipo estéreo de automóvil. Para los detalles, consulte la sección "Diagrama de conexión".

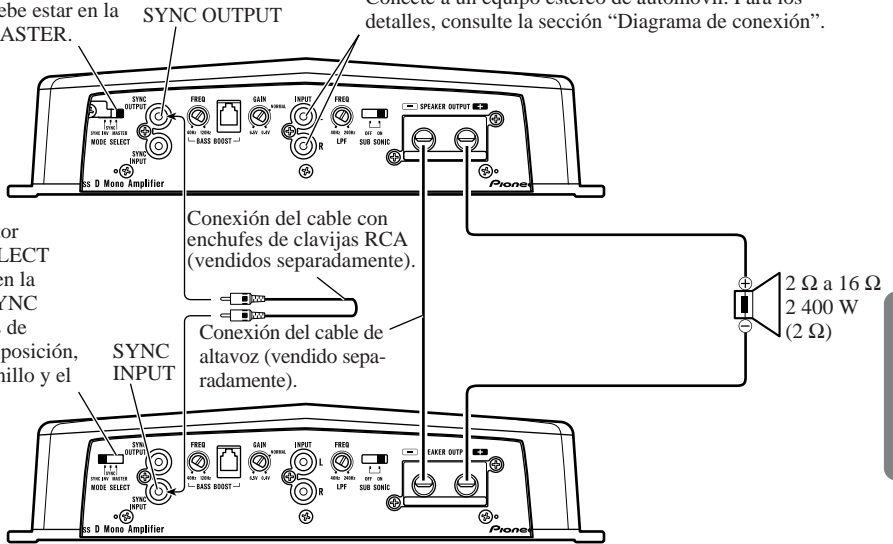


- Utilice altavoces con una impedancia de 1 Ω a 8 Ω.

Dos amplificadores (Punto externo)

El interruptor MODE SELECT debe estar en la posición MASTER.

Conecte a un equipo estereo de automóvil. Para los detalles, consulte la sección "Diagrama de conexión".

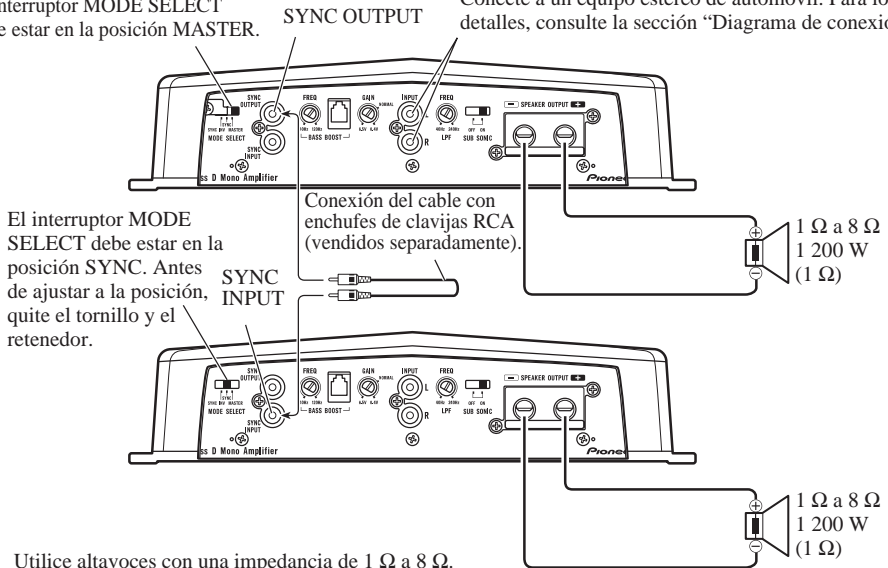


- Utilice solamente altavoces con una impedancia de 2 Ω a 16 Ω. Además, en el caso de conectar múltiples altavoces con un puente, compruebe que la impedancia sintética sea de por lo menos 2 Ω.

Dos amplificadores

El interruptor MODE SELECT debe estar en la posición SYNC.

Conecte a un equipo estereo de automóvil. Para los detalles, consulte la sección "Diagrama de conexión".



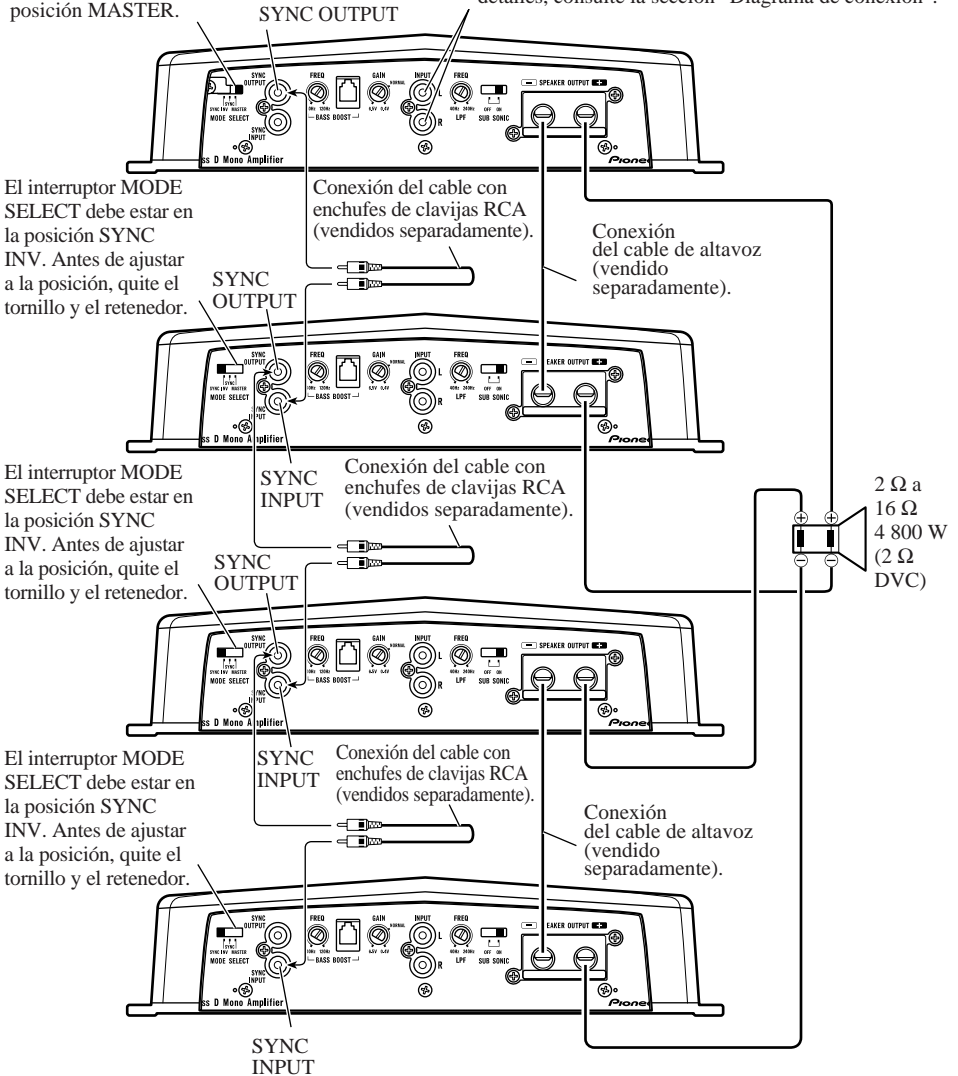
- Utilice altavoces con una impedancia de 1 Ω a 8 Ω.

Conexión de la unidad

Cuatro amplificadores (Puente externo)

El interruptor MODE SELECT debe estar en la posición MASTER.

Conecte a un equipo estéreo de automóvil. Para los detalles, consulte la sección "Diagrama de conexión".

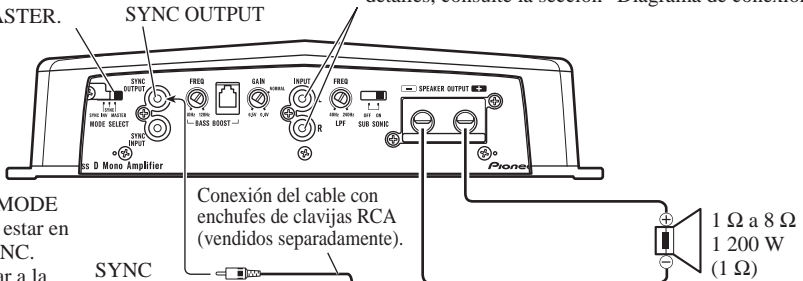


- Utilice solamente altavoces con una impedancia de 2 Ω a 16 Ω. Además, en el caso de conectar múltiples altavoces con un puente, compruebe que la impedancia sintética sea de por lo menos 2 Ω.

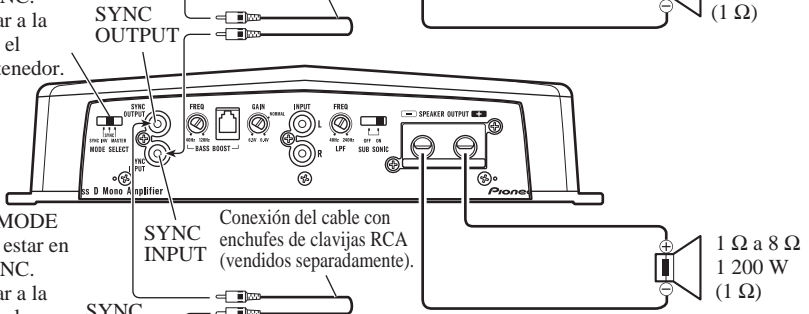
Cuatro amplificadores

El interruptor MODE SELECT debe estar en la posición MASTER.

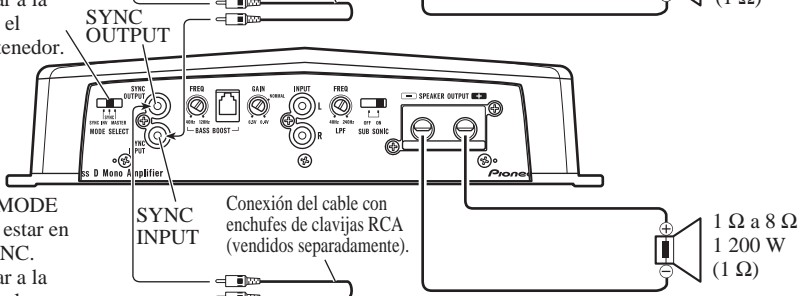
Conecte a un equipo estéreo de automóvil. Para los detalles, consulte la sección "Diagrama de conexión".



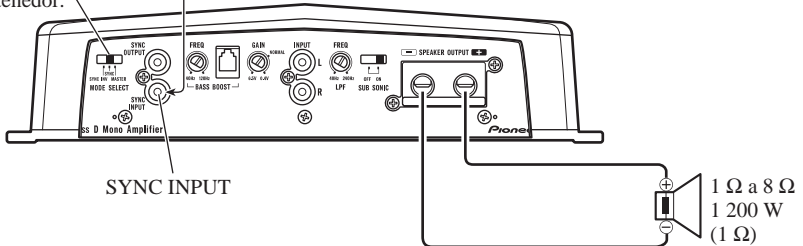
El interruptor MODE SELECT debe estar en la posición SYNC. Antes de ajustar a la posición, quite el tornillo y el retenedor.



El interruptor MODE SELECT debe estar en la posición SYNC. Antes de ajustar a la posición, quite el tornillo y el retenedor.



El interruptor MODE SELECT debe estar en la posición SYNC. Antes de ajustar a la posición, quite el tornillo y el retenedor.



- Utilice altavoces con una impedancia de 1 Ω a 8 Ω.



PRECAUCION

- No lo instale en:
 - Donde podría lesionar al conductor o a los pasajeros si se detiene el vehículo bruscamente.
 - Donde podría interferir con el conductor, como por ejemplo en el piso en frente al asiento del conductor.
- Asegúrese que los cables no se enganchen en el mecanismo deslizando de los asientos, resultando en cortocircuito.
- Confirme que ninguna parte quede detrás del panel, cuando perforo un orificio para la instalación del amplificador. Asegúrese de proteger todos los cables y equipos importantes, tales como líneas de combustibles, líneas de frenos y el cableado eléctrico.
- Instale los tornillos de conexión de manera tal que la punta del tornillo no toque ningún cable. Esto es importante para evitar que los cables se corten por vibración del automóvil, lo que podría causar un incendio.
- NO permita que el amplificador entre en contacto con líquidos debido a, por ejemplo, la localización donde el amplificador esté instalado. Esto podría causar una sacudida eléctrica. El contacto con líquidos también podría causar daños y sobrecalentamiento al amplificador e altavoces. Además, la superficie del amplificador y la superficie de cualquier altavoz instalado también podrían ponerse muy calientes al tacto, pudiendo causar pequeñas quemaduras.
- Para asegurar una instalación apropiada, utilice las partes suministradas de la manera especificada. Si se utiliza cualquier otra parte que no sean las suministradas, puede dañarse las partes internas del amplificador, o pueden aflojarse y el amplificador puede dejar de funcionar.
- No reemplace nunca el fusible por uno con un valor de régimen mayor que el fusible original. El uso de un fusible inadecuado podría causar el sobrecalentamiento o humo, así como podría causar daños al producto y lesiones, incluyendo quemaduras.



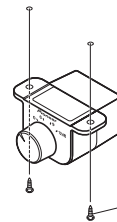
PRECAUCION

Para evitar fallas de funcionamiento y/o lesiones

- Para asegurar la disipación de calor apropiada del amplificador, cuide de lo siguiente durante la instalación.
 - Permita un espacio adecuado en la parte superior del amplificador para una ventilación apropiada.
 - No cubra el amplificador con la cubierta de piso o alfombra.
- NO permita que el amplificador entre en contacto con líquidos debido a, por ejemplo, la localización donde el amplificador esté instalado. Esto podría causar una sacudida eléctrica. El contacto con líquidos también podría causar daños y sobrecalentamiento al amplificador e altavoces. Además, la superficie del amplificador y la superficie de cualquier altavoz instalado también podrían ponerse muy calientes al tacto, pudiendo causar pequeñas quemaduras.
- No instale el amplificador sobre superficies inestables como el tablero del neumático de repuesto.
- La mejor ubicación para la instalación difiere con el modelo del vehículo y localización de instalación. Fije el amplificador en un lugar suficientemente rígido.
- Realice primero conexiones provisionarias y compruebe que el amplificador y el sistema operan adecuadamente.
- Después de instalar el amplificador, compruebe que se puede sacar fácilmente el neumático de repuesto, gato y herramientas.

Instalación del control remoto de intensificación de los graves

Instale con los tornillos autorroscantes (3 mm x 10 mm) en una localización de fácil acceso tal como por debajo del tablero de instrumentos.

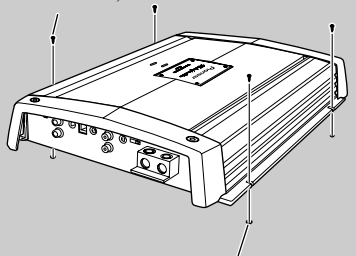


Tornillo autorroscante
(3 mm x 10 mm)

Ejemplo de instalación en la alfombra del piso o en el chasis

1. Ubique el amplificador en la posición en donde va a ser instalado. Inserte los tornillos autorroscantes suministrados (4 mm × 18 mm) en los orificios de los tornillos. Presione los tornillos con un destornillador de modo que puedan dejar puntos marcados de la posición en donde irán los orificios para la instalación.
2. Perfore orificios de 2,5 mm de diámetro en el punto marcado, e instale el amplificador, ya sea en la alfombra o directamente en el chasis.

Tornillos autorroscante
(4 mm × 18 mm)

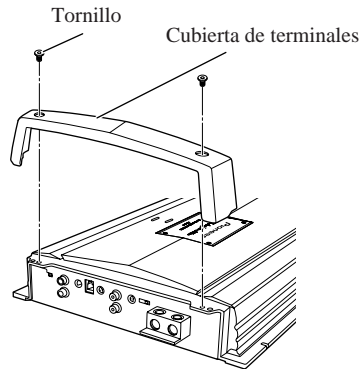


Alfombra del piso o chasis

Perfore un orificio de 2,5 mm de diámetro

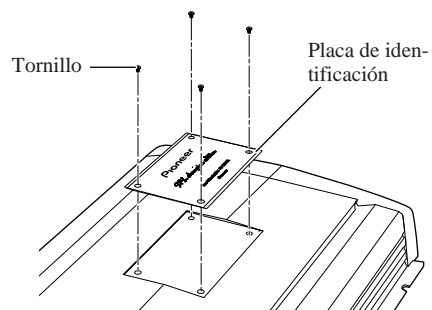
Recolocación de la cubierta de terminales

1. Alinee la unidad y la cubierta de terminales, e inserte el tornillo.
2. Apriete el tornillo con una llave hexagonal de 4 mm.



Cambio de la dirección de la placa de identificación

1. Para quitar la placa de identificación, afloje los tornillos utilizando una llave hexagonal de 2 mm.
2. Cambie la dirección de la placa de identificación y, a continuación, apriete los tornillos con una llave hexagonal.



Localización y solución de problemas

Los siguientes indicadores se encienden momentáneamente cuando se enciende el amplificador. Esto no es un fallo de funcionamiento.

Indicador HEAT

- Este indicador se enciende en amarillo cuando la temperatura dentro del amplificador aumenta. Cuando esto ocurre, pare inmediatamente de utilizar el amplificador y verifique el lugar donde el amplificador está instalado (consulte la sección “ADVERTENCIA” en la página 2). Póngase en contacto con su revendedor si no se puede corregir el problema.

Indicador PROTECT

- Este indicador parpadea o se enciende en rojo cuando ocurre algún tipo de problema en el amplificador. Cuando esto ocurre, pare inmediatamente de utilizar el amplificador y verifique el cableado (consulte la sección “ADVERTENCIA” en la página 2). Póngase en contacto con su revendedor si no se puede corregir el problema.

Alimentación	14,4 V CC (10,8 V a 15,1 V permisible)
Sistema de puesta a tierra	Tipo negativo
Consumo de corriente	44 A (potencia continua, 4 Ω)
Consumo de corriente promedio*	12 A (4 Ω para uno canal) 26 A (2 Ω para uno canal) 34 A (1 Ω para uno canal)
Fusible	40 A × 4
Dimensiones	381 (An) × 65 (Al) × 282 (Pr) mm
Peso	6,0 kg (No se incluyen los conductores para el cableado)
Potencia de salida máxima	1 000 W × 1 (4 Ω) / 2 000 W × 1 (2 Ω) / 2 400 W × 1 (1 Ω)
Potencia continua (14,4 V)	4 Ω, 20 Hz a 240 Hz, ≤ 1,0 % THD, 500 W × 1 2 Ω, 50 Hz, ≤ 1,0 % THD, 1 000 W × 1 1 Ω, 50 Hz, ≤ 2,0 % THD, 1 200 W × 1
Impedancia de carga	4 Ω (1 Ω a 8 Ω permisible)
Respuesta de frecuencia	10 Hz a 240 Hz (+0 dB, -3 dB)
Relación S/N	80 dB (rede IHF-A)
Distorsión	0,3% (10 W / 4 Ω, 100 Hz)
Filtro de paso bajo	Frecuencia de corte: 40 Hz a 240 Hz Pendiente de corte: -24 dB/oct.
Filtro subsónico (HPF)	Frecuencia: 20 Hz Pendiente: -24 dB/oct.
Intensificación de los graves	Frecuencia: 40 Hz a 120 Hz Nivel: 0 / 6 / 9 / 12 dB
Control de ganancia	RCA: 400 mV a 6,5 V
Impedancia / nivel de entrada máxima	RCA: 6,5 V / 22 kΩ

Potencia de salida	500 W RMS × 1 canal (a 4 Ω y ≤ 1% THD+N) 1 000 W RMS × 1 canal (a 50 Hz, 2 Ω y ≤ 1% THD+N)
Relación S/N	54 dBA (referencia: 1 W en 4 Ω)



Nota:

- Las especificaciones y el diseño están sujetos a posibles modificaciones sin previo aviso debido a mejoramientos.

*Consumo de corriente promedio

- El consumo de corriente promedio es casi el consumo de corriente máximo de esta unidad, cuando se ingresa una señal de audio. Utilice este valor cuando tenga que trabajar con la corriente total consumida por múltiples amplificadores de potencia.

*Register your product at
Enregistrez votre produit au
Registre su producto en*

<http://www.pioneerelectronics.com>

*See "Product registration" page
Voir la page "Enregistrement du produit"
Consulte la página sobre "Registro del producto"*

PIONEER CORPORATION

4-1, MEGURO 1-CHOME, MEGURO-KU, TOKYO 153-8654, JAPAN

PIONEER ELECTRONICS (USA) INC.

P.O. Box 1540, Long Beach, California 90801-1540, U.S.A.
TEL: (800) 421-1404

PIONEER EUROPE NV

Haven 1087, Keetberglaan 1, B-9120 Melsele, Belgium
TEL: (0) 3/570.05.11

PIONEER ELECTRONICS ASIACENTRE PTE. LTD.

253 Alexandra Road, #04-01, Singapore 159936
TEL: 65-6472-7555

PIONEER ELECTRONICS AUSTRALIA PTY. LTD.

178-184 Boundary Road, Braeside, Victoria 3195, Australia
TEL: (03) 9586-6300

PIONEER ELECTRONICS OF CANADA, INC.

300 Allstate Parkway, Markham, Ontario L3R 0P2, Canada
TEL: 1-877-283-5901

PIONEER ELECTRONICS DE MEXICO, S.A. de C.V.

Bldv.Manuel Avila Camacho 138 10 piso
Col.Lomas de Chapultepec, Mexico, D.F. 11000
TEL: 55-9178-4270

Published by Pioneer Corporation.
Copyright © 2007-2009 by Pioneer Corporation.
All rights reserved.

Publication de Pioneer Corporation.
Copyright © 2007-2009 Pioneer Corporation.
Tous droits de reproduction et de traduction
réservés.

Printed in China
Imprimé en Chine

Free Manuals Download Website

<http://myh66.com>

<http://usermanuals.us>

<http://www.somanuals.com>

<http://www.4manuals.cc>

<http://www.manual-lib.com>

<http://www.404manual.com>

<http://www.luxmanual.com>

<http://aubethermostatmanual.com>

Golf course search by state

<http://golfingnear.com>

Email search by domain

<http://emailbydomain.com>

Auto manuals search

<http://auto.somanuals.com>

TV manuals search

<http://tv.somanuals.com>