

**PLASMA DISPLAY  
ÉCRAN PLASMA  
PLASMA-DISPLAY  
DISPLAY A PLASMA  
PLASMASCHERM  
PANTALLA DE PLASMA**

# **PDP-5000EX**

Discover the benefits of registering your product online at [www.pioneer.co.uk](http://www.pioneer.co.uk) (or [www.pioneer-eur.com](http://www.pioneer-eur.com)).

Decouvrez les nombreux avantages offerts en enregistrant votre produit en ligne maintenant sur [www.pioneer.fr](http://www.pioneer.fr) (ou [www.pioneer-eur.com](http://www.pioneer-eur.com)).

Bitte nutzen Sie die Möglichkeit zur Registrierung Ihres Produktes unter [www.pioneer.de](http://www.pioneer.de) (oder [www.pioneer-eur.com](http://www.pioneer-eur.com))

Registra il tuo prodotto su [www.pioneer.it](http://www.pioneer.it) (o [www.pioneer-eur.com](http://www.pioneer-eur.com)) e scopri subito quali vantaggi puoi ottenere!

Ontdek nu de voordelen van online registratie! Registreer uw Pioneer product via [www.pioneer.nl](http://www.pioneer.nl) - [www.pioneer.be](http://www.pioneer.be) (of [www.pioneer-eur.com](http://www.pioneer-eur.com))

Registre su producto en [www.pioneer.es](http://www.pioneer.es) (o en [www.pioneer-eur.com](http://www.pioneer-eur.com))  
Descubra los beneficios de registrarse on-line:

Operating Instructions  
Mode d'emploi  
Bedienungsanleitung  
Istruzioni per l'uso  
Gebruiksaanwijzing  
Manual de instrucciones

**HDMI**<sup>™</sup>  
HIGH DEFINITION MULTIMEDIA INTERFACE

**SRS**<sup>®</sup>  
**WOW**

Replacement and mounting of an AC plug on the power supply cord of this unit should be performed only by qualified service personnel.

### IMPORTANT: THE MOULDED PLUG

This appliance is supplied with a moulded three pin mains plug for your safety and convenience. A 13 amp fuse is fitted in this plug. Should the fuse need to be replaced, please ensure that the replacement fuse has a rating of 13 amps and that it is approved by ASTA or BSI to BS1362.

Check for the ASTA mark  or the BSI mark  on the body of the fuse.

If the plug contains a removable fuse cover, you must ensure that it is refitted when the fuse is replaced. If you lose the fuse cover the plug must not be used until a replacement cover is obtained. A replacement fuse cover can be obtained from your local dealer.

**If the fitted moulded plug is unsuitable for your socket outlet, then the fuse shall be removed and the plug cut off and disposed of safely. There is a danger of severe electrical shock if the cut off plug is inserted into any 13 amp socket.**


If a new plug is to be fitted, please observe the wiring code as shown below. If in any doubt, please consult a qualified electrician.

WARNING : THIS APPARATUS MUST BE EARTHED.

IMPORTANT: The wires in this mains lead are coloured in accordance with the following code:

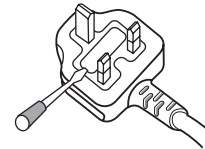
Green & Yellow : Earth Blue : Neutral Brown : Live

As the colours of the wires in the mains lead of this appliance may not correspond with the coloured markings identifying the terminals in your plug, proceed as follows :

The wire which is coloured GREEN-AND-YELLOW must be connected to the terminal in the plug which is marked with the letter **E** or by the earth symbol  or coloured GREEN or GREEN-AND-YELLOW.

The wire which is coloured BLUE must be connected to the terminal which is marked with the letter **N** or coloured BLACK.

The wire which is coloured BROWN must be connected to the terminal which is marked with the letter **L** or coloured RED.



**How to replace the fuse:** Open the fuse compartment with a screwdriver and replace the fuse.

D3-4-2-1-2-1\_B\_En

# IMPORTANT



The lightning flash with arrowhead symbol, within an equilateral triangle, is intended to alert the user to the presence of uninsulated 'dangerous voltage' within the product's enclosure that may be of sufficient magnitude to constitute a risk of electric shock to persons.

## CAUTION

**RISK OF ELECTRIC SHOCK  
DO NOT OPEN**

CAUTION:  
TO PREVENT THE RISK OF ELECTRIC SHOCK, DO NOT REMOVE COVER (OR BACK). NO USER-SERVICEABLE PARTS INSIDE. REFER SERVICING TO QUALIFIED SERVICE PERSONNEL.



The exclamation point within an equilateral triangle is intended to alert the user to the presence of important operating and maintenance (servicing) instructions in the literature accompanying the appliance.

## WARNING

This equipment is not waterproof. To prevent a fire or shock hazard, do not place any container filled with liquid near this equipment (such as a vase or flower pot) or expose it to dripping, splashing, rain or moisture.

D3-4-2-1-3\_A\_En

*This product complies with the Low Voltage Directive (73/23/EEC, amended by 93/68/EEC), EMC Directives (89/336/EEC, amended by 92/31/EEC and 93/68/EEC).*

## WARNING

Before plugging in for the first time, read the following section carefully.

The voltage of the available power supply differs according to country or region. Be sure that the power supply voltage of the area where this unit will be used meets the required voltage (e.g., 230 V or 120 V) written on the rear panel.

D3-4-2-1-4\_A\_En

## WARNING

This apparatus must be earthed.

## WARNING

This product equipped with a three-wire grounding (earthed) plug - a plug that has a third (grounding) pin. This plug only fits a grounding-type power outlet. If you are unable to insert the plug into an outlet, contact a licensed electrician to replace the outlet with a properly grounded one. Do not defeat the safety purpose of the grounding plug.

D3-4-2-1-6\_A\_En

**The following symbols are found on labels attached to the product. They alert the operators and service personnel of this equipment to any potentially dangerous conditions.**

## WARNING

**This symbol refers to a hazard or unsafe practice which can result in personal injury or property damage.**

## CAUTION

**This symbol refers to a hazard or unsafe practice which can result in severe personal injury or death.**

## WARNING

To prevent a fire hazard, do not place any naked flame sources (such as a lighted candle) on the equipment.

D3-4-2-1-7a\_A\_En

## VENTILATION CAUTION

When installing this unit, make sure to leave space around the unit for ventilation to improve heat radiation. For the minimum space required, see page 16.

## WARNING

Slots and openings in the cabinet are provided for ventilation to ensure reliable operation of the product, and to protect it from overheating. To prevent fire hazard, the openings should never be blocked or covered with items (such as newspapers, table-cloths, curtains) or by operating the equipment on thick carpet or a bed.

## CAUTION

The POWER switch on this unit will not completely shut off all power from the AC outlet. Since the power cord serves as the main disconnect device for the unit, you will need to unplug it from the AC outlet to shut down all power. Therefore, make sure the unit has been installed so that the power cord can be easily unplugged from the AC outlet in case of an accident. To avoid fire hazard, the power cord should also be unplugged from the AC outlet when left unused for a long period of time (for example, when on vacation).

D3-4-2-2a\_A\_En

## STANDBY/ON Button

**STANDBY:** When placed into the standby mode, the main power flow is cut and the unit is no longer fully operational.

## STANDBY/ON Indicator

The indicator is lit red when the unit is in the standby mode and is lit blue when it is in the power-on mode.

## Thank you for buying this Pioneer product.

Please read through these operating instructions so you will know how to operate your model properly. After you have finished reading the instructions, put them away in a safe place for future reference.

In some countries or regions, the shape of the power plug and power outlet may sometimes differ from that shown in the explanatory drawings. However the method of connecting and operating the unit is the same.

### 01 Important User Guidance Information

### 02 Safety Precautions

### 03 Optional line (sold separately)

### 04 Supplied Accessories

### 05 Part Names

Main unit .....	13
Remote control unit .....	14
Connection panel .....	15

### 06 Preparation

Installing the Plasma Display .....	16
Preventing the Plasma Display from Falling Over .....	17
Connecting the power cord .....	18
How to route cables .....	19
Preparing the remote control unit .....	20
Inserting batteries .....	20
Cautions regarding batteries .....	20
Allowed operation range of the remote control unit .....	20
Cautions regarding the remote control unit .....	20

### 07 Operation

Plasma Display status indicators .....	21
Changing the volume and sound .....	21
Use the multiscreen functions .....	22
Splitting the screen .....	22
Confirming current status .....	22
AV Selection .....	22
Selecting a screen size manually .....	23

### 08 Menu Setup

Using the menu .....	24
AV mode menus .....	24
PC mode menus .....	24
Menu operations .....	24

### 09 Basic Adjustment Settings

Language setting .....	25
Basic picture adjustments .....	25
Advanced picture adjustments .....	25
Using PureCinema .....	25
Using Color Temp .....	26
Using CTI .....	26
Using Color Management .....	26
Reducing the noise in images .....	27
Using the Dynamic Range Expander (DRE) functions .....	27
Using the 3DYC and I-P Mode .....	27
Sound adjustments .....	28
FOCUS .....	28
Front Surround .....	28
Power Control .....	29

### 10 Useful Adjustment Settings

Switching the vertical drive frequency (AV mode only) .....	30
Adjusting image positions (AV mode only) .....	30
Adjusting image positions and clock automatically (PC mode only) .....	30
Adjusting image positions and clock manually (PC mode only) .....	30
Selecting an input signal type .....	31
Color system setting .....	31
Selecting a screen size automatically (AV mode only) .....	32
Selecting a screen size for received 4:3 aspect ratio signals (AV mode only) ...	32

## 11 Enjoying through External Equipment

Watching a decoder or VCR image .....	33
Connecting a decoder or VCR .....	33
Displaying a decoder or VCR image ..	33
Using HDMI Input .....	33
Connecting HDMI equipment .....	34
Using DVI Input .....	35
Connecting DVI equipment .....	35
Watching a DVD image .....	35
Connecting a DVD player .....	35
Displaying a DVD image .....	36
Enjoying a game console or watching camcorder images .....	36
Connecting a game console or camcorder .....	36
Displaying an image from the game console or camcorder .....	36
Watching an image from a personal computer .....	36
Connecting a personal computer .....	36
Displaying an image from a personal computer .....	36
Computer compatibility chart .....	37
Connecting control cords .....	37
About SR+ .....	37

## 12 Appendix

Troubleshooting .....	38
Specifications .....	39

In order to obtain maximum enjoyment from this Pioneer PureVision PDP-5000EX Plasma Display, please first read this information carefully.

With the Pioneer PureVision PDP-5000EX, you can be assured of a high quality Plasma Display with long-life and high reliability. To achieve images of exceptional quality, this Pioneer Plasma Display incorporates state-of-the-art design and construction, as well as very precise and highly advanced technology.

The Pioneer PureVision PDP-5000EX incorporates the latest in color filter technology – Direct Color Filter. This improves the color/picture reproduction of these models as compared to previous models. It also eliminates the need for a physical glass panel to be placed in front of the plasma panel, which furthers Pioneer's continued goal of reducing environmental waste in consumer electronics, now during the manufacturing process and in the future during the recycling process.

Over the course of its lifetime, the luminosity of the Pioneer PDP-5000EX Plasma Display will diminish very slowly, such as with all phosphor-based screens (for example, a traditional tube-type television). To enjoy beautiful and bright images on your Pioneer Plasma Display for a long time, please carefully read and follow the usage guidances below:

### Usage guidelines

All phosphor-based screens (including conventional tube-type televisions) can be affected by displaying static images for a prolonged period. Plasma Display's are no exception to this rule. After-image and permanent effects on the screen can be avoided by taking some basic precautions. By following the recommendations listed below, you can ensure longer and satisfactory results from your plasma:

- Whenever possible, avoid frequently displaying the same image or virtually still moving pictures (e.g. closed-captioned images or video game images which have static portions).
- Avoid viewing the On Screen Display for extended periods, from a decoder, DVD player, VCR and all other components.
- Do not leave the same picture freeze-framed or paused continuously over a long period of time, when using the still picture mode from a TV, VCR, DVD player or any other component.
- Images which have both very bright areas and very dark areas side by side should not be displayed for a prolonged period of time.
- When playing a game, the "GAME" mode setting within "AV Selection" is strongly recommended. However, please limit its use to less than 2 hours at a time.
- After playing a game, or displaying a PC image or any still image, it is best to view a normal moving picture in the "WIDE" or "FULL" screen setting for more than 3 times the length of the previous still moving image.
- After using the Plasma Display, always switch the display to "STANDBY" mode.

### Installation guidelines

The Pioneer PureVision PDP-5000EX Plasma Display incorporates a very thin design. To ensure safety, please take the proper measures to mount or install the Plasma Display, in order to prevent the unit from tipping over in the event of vibration or accidental movement.

This product should be installed by using only parts and accessories designed by PIONEER. Use of accessories other than the PIONEER stand or installation bracket may result in instability, and could cause injury. For custom installation, please consult the dealer where the unit was purchased. To ensure correct installation, experienced and qualified experts must install the unit. PIONEER will not be held responsible for accident or damage caused by the use of parts and accessories manufactured by other companies.

To avoid malfunction and overheating, make sure that the vents on the main unit are not blocked when installing to ensure proper heat emission:

- Distance the unit slightly from other equipment, walls, etc. For the minimum space required around the unit, see page 16.
- Do not fit the unit inside narrow spaces where ventilation is poor.
- Do not cover with a cloth, etc.
- Clean the vents on the sides and rear of the unit to remove dust build-up, by using a vacuum cleaner set to its lowest suction setting.
- Do not place the product on a carpet or blanket.
- Do not reverse the product.

Using the unit without proper ventilation may cause the internal temperature to rise, and could result in possible malfunction. When the surrounding or internal temperature exceeds a certain degree, the display will automatically power off in order to cool the internal electronics and prevent hazardous occurrences.

Any malfunction may occur due to: an inappropriate installation site, improper assembly, installation, mounting, or operation of this product, modifications made to the product. However, PIONEER cannot be held responsible for such accidents or malfunction.

### NOTE

The following are typical effects and characteristics of a phosphor-based matrix display and as such, are not covered by the manufacturer's limited warranties:

- Permanent residual images upon the phosphors of the panel.
- The existence of a minute number of inactive light cells.
- Panel generated sounds, examples: Fan motor noise, and electrical circuit humming / glass panel buzzing

## CAUTION

PIONEER bears no responsibility for any damage arising from incorrect use of the product by you or other people, malfunctions when in use, other product related problems, and use of the product except in cases where the company must be liable.

### Plasma Display protection function

When still images (such as photos and computer images) stay on the screen for an extended period of time, the screen will be slightly dimmed. This is because the protection function of the Plasma Display automatically adjusts the brightness to protect the screen when detecting still images; so this does not designate malfunction. The screen is dimmed when a still image is detected for about three minutes.

### Information of cell defect

Plasma screens display information using cells. Pioneer Plasma Display panels contain a very large number of cells. (Depending on the panel size; over 6.2 million cells.) All Pioneer display panels are manufactured using a very high level of ultra-precision technology and undergo individual quality control.

In rare cases, some cells can be permanently switched off, or on, resulting in either a black or colored cell permanently fixed on the screen.

This effect is common to all Plasma Displays because it is a consequence of the technology.

If the defective cells are visible at a normal viewing distance of between 2.5 and 3.5 meters whilst viewing a normal broadcast (i.e. not a test card, still image or single color display) please contact the supplying dealer.

If, however, they can only be seen close up or during single color displays then this is considered normal for this technology.

### Infrared rays

The Plasma Display releases infrared rays because of its characteristics. Depending on how the Plasma Display is in use, the remote controls of nearby equipment may be adversely affected or wireless headphones using infrared rays are interfered by noise. If this is the case, place that equipment at a location where its remote control sensor is not affected.

### Radio interference

While this product meets the required specifications, it emits a small amount of noise. If you place such equipment as an AM radio, personal computer, and VCR close to this product, that equipment may be interfered. If this happens, place that equipment far enough from this product.

### Plasma Display driving sound

The screen of the Plasma Display is composed of extremely fine pixels and these pixels emit light according to received video signals. This principle may make you hear buzz sound or electrical circuit humming from the Plasma Display.

### Do not attach such items as labels and tape to the product

- This may result in the discolouration or scratch of the cabinet.

### When not using the product for a long period of time

- If you do not use the product for a long period of time, the functions of the product may be adversely affected. Switch on and run the product occasionally.

### Condensation

- Condensation may take place on the surface or inside of the product when the product is rapidly moved from a cold place to a warm place or just after a heater is switched on in winter morning, for example. When condensation takes place, do not switch on the product and wait until condensation disappears. Using the product with condensation may result in malfunction.

### Cleaning the surface of the screen and the glossy surface of the front cabinet

- When cleaning the surface of the screen or the glossy surface of the front cabinet, gently wipe it with a dry soft cloth; the supplied cleaning cloth or other similar cloths (e.g., cotton and flannel). If you use a dusty or hard cloth or if you rub the screen hard, the surface of the product will be scratched.
- If you clean the surface of the screen with a wet cloth, water droplets on the surface may enter into the product, resulting in malfunction.

### Cleaning the cabinet

- When cleaning the cabinet of this product, gently wipe it with a clean soft cloth (e.g., cotton and flannel). If you use a dusty or hard cloth or if you rub the cabinet hard, the surface of the cabinet will be scratched.
- The cabinet of this product is mostly composed of plastic. Do not use chemicals such as benzene or thinner to clean the cabinet. Using these chemicals may result in quality deterioration or coating removal.
- Do not expose the product to volatile gas or fluid such as pesticide. Do not make the product contact with rubber or vinyl products for a long period of time. The effect of plasticizer in the plastic may result in quality deterioration or coating removal.
- If you clean the surface of the cabinet with a wet cloth, water droplets on the surface may enter into the product, resulting in malfunction.

### Handles at the rear of the Plasma Display

- Do not remove the handles from the rear of the Plasma Display.
- When moving the Plasma Display, ask another person for help and use the handles attached to the rear of the Plasma Display. Do not move the Plasma Display by holding only a single handle. Use the handles as shown.
- Do not use the handles to hang the product when installing or carrying the product, for example. Do not use the handles for the purpose of preventing the product from tilting over.

 **CAUTION****Panel sticking and after-image lag**

- Displaying the same images such as still images for a long time may cause after-image lagging. This may occur in the following two cases.

**1 After-image lagging due to remaining electrical load**

When image patterns with very high peak luminance are displayed for more than 1 minute, after-image lagging may occur due to the remaining electric load. The after-images remaining on the screen will disappear when moving images are displayed. The time for the after-images to disappear depends on the luminance of the still images and the time they had been displayed.

**2 After-image (lag image) due to burning**

Avoid displaying the same image on the Plasma Display continuously over a long period of time.

This includes those images displayed in the following screen modes: multiscreen function, screen size 4:3, screen size FULL 14:9, screen size CINEMA 14:9, screen size Dot by Dot (except when the input size is 1920x1080), and images with black bands at top/bottom or right/left.

If the same image is displayed continuously for several hours, or for shorter periods of time over several days, a permanent after-image may remain on the screen due to burning of the fluorescent materials. Such images may become less noticeable if moving images are later displayed, but they will not disappear completely.

- The energy save function can be set to help prevent damage from screen burning (see page 29).



If you want to dispose this product, do not mix it with general household waste. There is a separate collection system for used electronic products in accordance with legislation that requires proper treatment, recovery and recycling.

Private households in the 25 member states of the EU, in Switzerland and Norway may return their used electronic products free of charge to designated collection facilities or to a retailer (if you purchase a similar new one).

For countries not mentioned above, please contact your local authorities for the correct method of disposal.

By doing so you will ensure that your disposed product undergoes the necessary treatment, recovery and recycling and thus prevent potential negative effects on the environment and human health.



Electricity is used to perform many useful functions, but it can also cause personal injuries and property damage if improperly handled. This product has been engineered and manufactured with the highest priority on safety. However, improper use can result in electric shock and/or fire. In order to prevent potential danger, please observe the following instructions when installing, operating and cleaning the product. To ensure your safety and prolong the service life of your product, please read the following precautions carefully before using the product.

1. Read instructions — All operating instructions must be read and understood before the product is operated.
2. Keep this manual in a safe place — These safety and operating instructions must be kept in a safe place for future reference.
3. Observe warnings — All warnings on the product and in the instructions must be observed closely.
4. Follow instructions — All operating instructions must be followed.
5. Cleaning — Unplug the power cord from the AC outlet before cleaning the product. To clean the product, use the supplied cleaning cloth or other soft clothes (e.g., cotton, flannel). Do not use liquid cleaners or aerosol cleaners.
6. Attachments — Do not use attachments not recommended by the manufacturer. Use of inadequate attachments can result in accidents.
7. Water and moisture — Do not use the product near water, such as bathtub, washbasin, kitchen sink and laundry tub, swimming pool and in a wet basement.
8. Stand — Do not place the product on an unstable cart, stand, tripod or table. Placing the product on an unstable base can cause the product to fall, resulting in serious personal injuries as well as damage to the product. Use only a cart, stand, tripod, bracket or table recommended by the manufacturer or sold with the product. When mounting the product on a wall, be sure to follow the manufacturer's instructions. Use only the mounting hardware recommended by the manufacturer.
9. When relocating the product placed on a cart, it must be moved with utmost care. Sudden stops, excessive force and uneven floor surface can cause the product to fall from the cart.



10. Ventilation — The vents and other openings in the cabinet are designed for ventilation. Do not cover or block these vents and openings since insufficient ventilation can cause overheating and/or shorten the life of the product. Do not place the product on a bed, sofa, rug or other similar surface, since they can block ventilation openings. This product is not designed for built-in installation; do not place the product in an enclosed place such as a bookcase or rack, unless proper ventilation is provided or the manufacturer's instructions are followed.
11. Power source — This product must operate on a power source specified on the specification label. If you are not sure of the type of power supply used in your home, consult your dealer or local power company.
12. Power cord protection — The power cords must be routed properly to prevent people from stepping on them or

objects from resting on them. Check the cords at the plugs and product.

13. The Plasma Display used in this product is made of glass. Therefore, it can break when the product is dropped or applied with impact. Be careful not to be injured by broken glass pieces in case the Plasma Display breaks.
14. Overloading — Do not overload AC outlets or extension cords. Overloading can cause fire or electric shock.
15. Entering of objects and liquids — Never insert an object into the product through vents or openings. High voltage flows in the product, and inserting an object can cause electric shock and/or short internal parts. For the same reason, do not spill water or liquid on the product.
16. Servicing — Do not attempt to service the product yourself. Removing covers can expose you to high voltage and other dangerous conditions. Request a qualified service person to perform servicing.
17. Repair — If any of the following conditions occurs, unplug the power cord from the AC outlet, and request a qualified service person to perform repairs.
  - a. When the power cord or plug is damaged.
  - b. When a liquid was spilled on the product or when objects have fallen into the product.
  - c. When the product has been exposed to rain or water.
  - d. When the product does not operate properly as described in the operating instructions. Do not touch the controls other than those described in the operating instructions. Improper adjustment of controls not described in the instructions can cause damage, which often requires extensive adjustment work by a qualified technician.
  - e. When the product has been dropped or damaged.
  - f. When the product displays an abnormal condition. Any noticeable abnormality in the product indicates that the product needs servicing.
18. Replacement parts — In case the product needs replacement parts, make sure that the service person uses replacement parts specified by the manufacturer, or those with the same characteristics and performance as the original parts. Use of unauthorized parts can result in fire, electric shock and/or other danger.
19. Safety checks — Upon completion of service or repair work, request the service technician to perform safety checks to ensure that the product is in proper operating condition.
20. Wall or ceiling mounting — When mounting the product on a wall or ceiling, be sure to install the product according to the method recommended by the manufacturer.
21. Heat sources — Keep the product away from heat sources such as radiators, heaters, stoves and other heat-generating products (including amplifiers).
22. Unplug the power cord from the AC outlet before installing the speakers.
23. Never expose the screen of the Plasma Display to a strong impact, for example, by hitting it. The screen may be broken, resulting in fire or personal injury.
24. Do not expose the Plasma Display to direct sunlight for a long period of time. The optical characteristics of the front protection panel changes, resulting in discolouration or warp.
25. The Plasma Display weighs about 39.8 kg. Because it has small depth and is unstable, unpack, carry, and install the product with one more person at least and use the handles.

### Installation using the optional PIONEER stand or installation bracket

- Please be sure to request installation or mounting of this unit or the installation bracket by an installation specialist or the dealer where purchased.
- When installing, be sure to use the bolts provided with the stand or installation bracket.
- For details concerning installation, please refer to the instruction manual provided with the stand or installation bracket.

### Installation using accessories other than the PIONEER stand or installation bracket (sold separately)

- When possible, please install using parts and accessories manufactured by PIONEER. PIONEER will not be held responsible for accident or damage caused by the use of parts and accessories manufactured by other companies.
- For custom installation, please consult the dealer where the unit was purchased, or a qualified installer.

### Wall-mount installation of the unit

This unit has been designed with bolt holes for wall-mount installation, etc. The installation holes provided are shown in the accompanying illustration.

- Be sure to attach in 4 or more locations above and below, left and right of the center line.
- Use bolts that are long enough to be inserted 12 mm to 18 mm into the main unit from the attaching surface. Refer to the side view diagram in the accompanying illustration.
- As this unit is constructed with glass, be sure to install it on a flat, unwarped surface.

#### CAUTION

To avoid malfunction, overheating of this unit, and possible fire hazard, make sure that the vents on the main unit are not blocked when installing. Also, as hot air is expelled from the air vents, be careful of deterioration and dirt build up on rear surface wall, etc.

#### CAUTION

Please be sure to use an M8 (Pitch = 1.25 mm) bolt. (Only this size bolt can be used.)

#### CAUTION

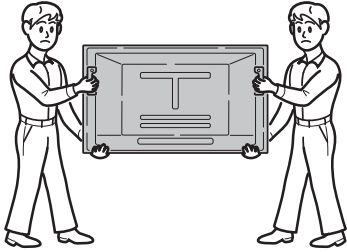
This display unit weighs at least 30 kg and has little front-to-back depth, making it very unstable when stood on edge. As a result, two or more persons should cooperate when unpacking, moving, or installing the display.

#### CAUTION

This unit incorporates a thin design. To ensure safety if vibrated or shaken, please be sure to take measures to prevent the unit from tipping over.

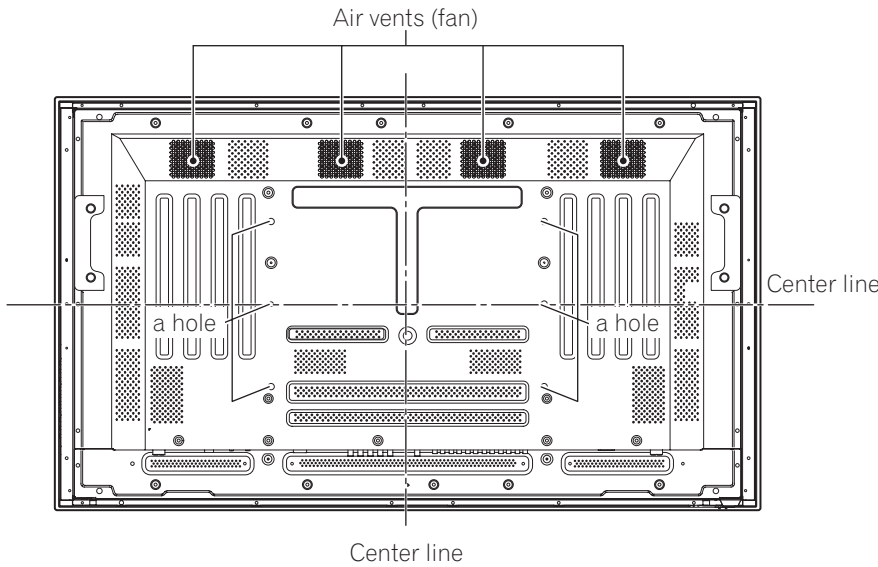
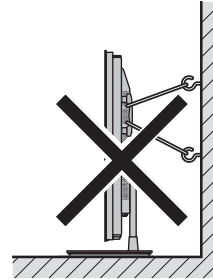
**CAUTION**

- Handles should not be removed or reattached by anyone other than the professional installation technician or service personnel.
- If handles must be removed due to specific installation conditions, the mounting screws should be stored carefully together with the handles. To ensure safety, the mounting screws should be tightened to a minimum torque of 2N·m (20 kgf·cm) when reattaching the handles.
- When moving the display, it should always be carried by two persons holding the rear handles in the manner shown.

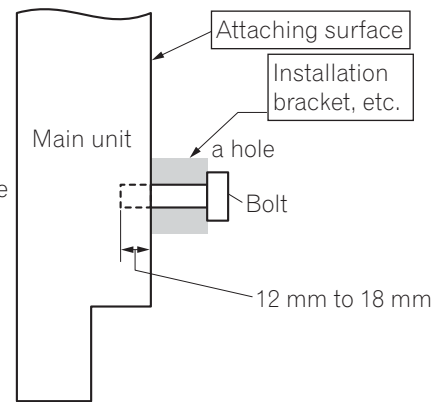


**NO!**

- Never attempt to move the Plasma Display by holding only one of the handles.
- When installing the Plasma Display, do not use the handles as means of hanging the display; also do not use them as devices to prevent tipping over (see illustration).



Rear view diagram



Side view diagram

## Optional line (sold separately)

- **For details, please consult the dealer where this unit was purchased.**

1 Table top stand (PDK-TS23):

PDP-5000EX display stand.

2 Wall installation unit:

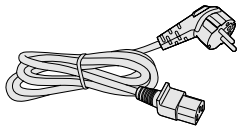
Wall installation bracket designed as a wall interface for securing the unit.

This product includes FontAvenue® fonts licensed by NEC Corporation.

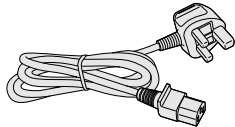
FontAvenue is a registered trademark of NEC Corporation.

## Supplied Accessories

1 Power cord



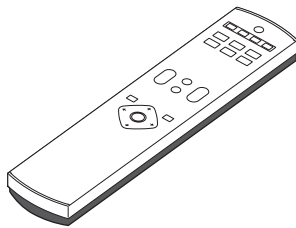
(For Europe, except UK and Eire)



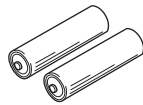
(For UK and Eire)

Only the power cord that is appropriate in your country or region is supplied.

2 Remote control unit



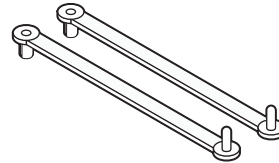
3 AA (R6) batteries (x 2)



4 Cleaning cloth



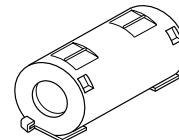
5 Speed clamps (x 2)



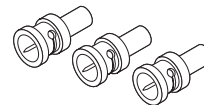
6 Bead bands (x 2)



7 Ferrite core

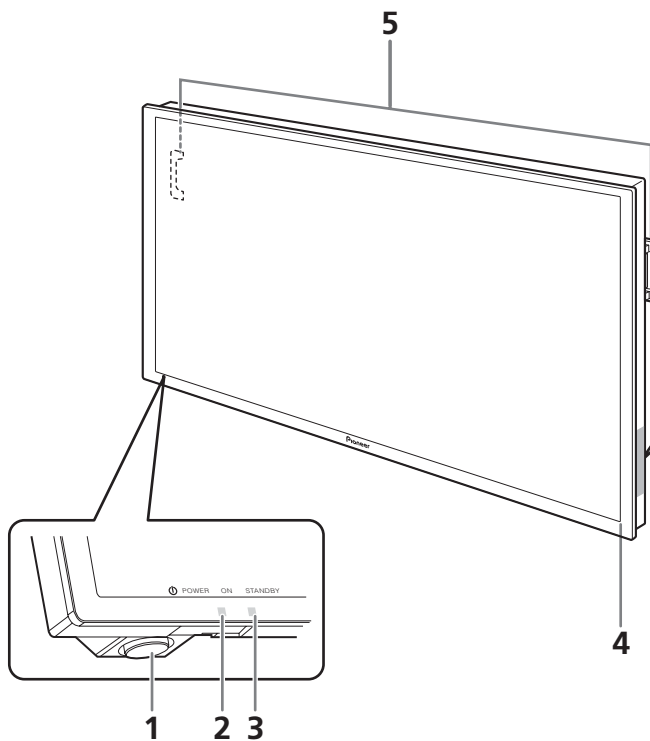


8 BNC/Pin conversion adaptor (x 3)



- These Operating Instructions
- Warranty

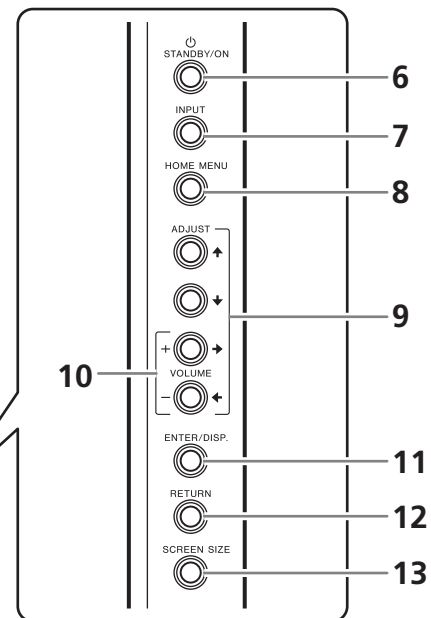
## Main unit



## Main unit

- 1 **MAIN POWER** switch
- 2 **ON** indicator
- 3 **STANDBY** indicator
- 4 Remote control sensor
- 5 Handles

## Operation panel on the main unit



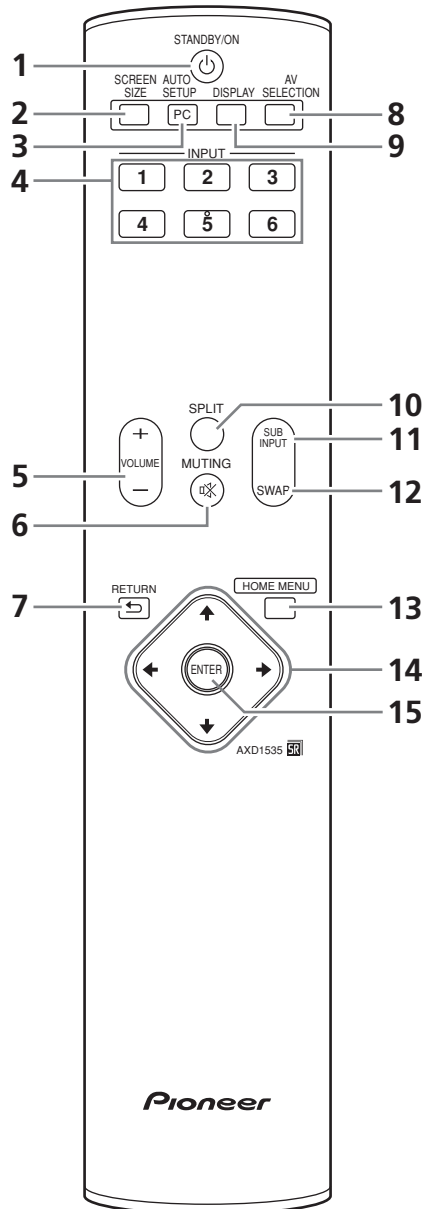
## Note

The unit's operating panel will become inoperable if connected speakers are installed too near the main unit.

## Operation panel on the main unit

- 6 **STANDBY/ON** button
- 7 **INPUT** button
- 8 **HOME MENU** button
- 9 **ADJUST** (↑/↓/←/→) buttons
- 10 **VOLUME +/-** buttons
- 11 **ENTER/DISP.** button
- 12 **RETURN** button
- 13 **SCREEN SIZE** button

## Remote control unit

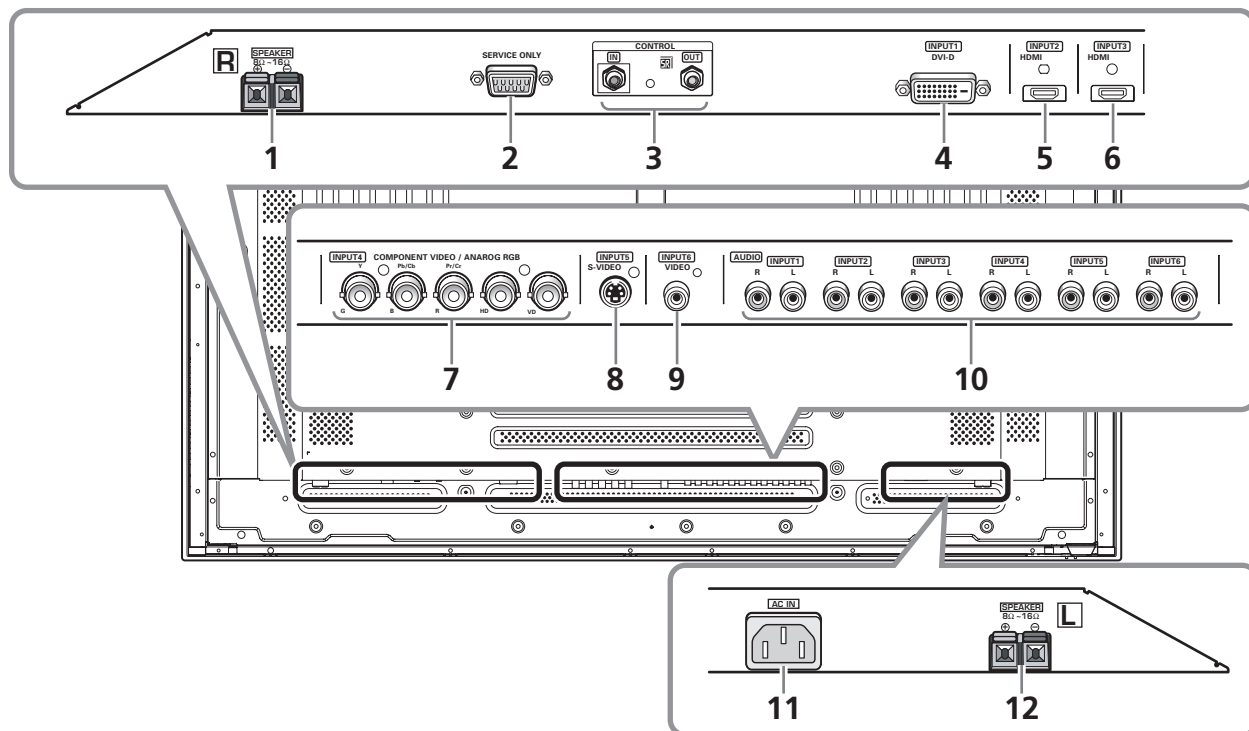


- 1 STANDBY/ON button**  
Press to put the unit in operation or standby mode (page 21).
- 2 SCREEN SIZE button**  
Press to select the screen size (page 23).
- 3 PC AUTO SET UP button**  
When using computer signal input, automatically sets the "Position", "Clock" and "Phase" to optimum values (page 30).
- 4 INPUT 1 to 6 buttons**  
Press to select the input (page 31).
- 5 VOLUME (+/-) buttons**  
Use to adjust the volume (page 21).
- 6 MUTING button**  
Press to mute the volume (page 21).
- 7 RETURN button**  
Restores the previous menu screen (pages 24 to 27).
- 8 AV SELECTION button**  
Use to select the AV function (page 22).
- 9 DISPLAY button**  
Press to view the unit's current input and setup mode (page 22).
- 10 SPLIT button**  
Press to switch to multi-screen display (page 22).
- 11 SUB INPUT button**  
During multi-screen display, use this button to change inputs to subscreens (page 22).
- 12 SWAP button**  
During multi-screen display, use this button to switch between main screen and subscreen (page 22).
- 13 HOME MENU button**  
Press to open and close the on-screen menu (pages 24 to 37).
- 14 ADJUST (▲/▼/◀/▶) buttons**  
Use to navigate menu screens and to adjust various settings on the unit (pages 24 to 37).
- 15 ENTER button**  
Press to adjust or enter various settings on the unit (pages 24 to 37).

### When handling the remote control unit

- Do not drop the remote control unit or expose it to moisture.
- Do not use the remote control unit in a location subject to direct sunlight, heat radiation from a heater, or in a place subject to excessive humidity.
- When the remote control unit's batteries begin to wear out, the operable distance will gradually become shorter. When this occurs, replace all batteries with new ones as soon as possible.

## Connection panel

**1 SPEAKER (R) terminals**

For connection of an external right speaker.

Connect a speaker that has an impedance of 8 Ω to 16 Ω.

**2 Terminal for Service Adjustments (used for factory setup)**

Never connect any component to these connectors without first consulting your Pioneer installation technician.

These connectors are used for Plasma Display setup adjustments.

**3 CONTROL IN/OUT terminals****4 INPUT1 terminal (DVI-D)****5 INPUT2 terminal (HDMI)****6 INPUT3 terminal (HDMI)****7 INPUT4 terminals**

(COMPONENT VIDEO: Y, Pb/Cb, Pr/Cr, ANALOG RGB : G, B, R, HD, VD)

**8 INPUT5 terminal (S-VIDEO)****9 INPUT6 terminal (VIDEO)****10 AUDIO INPUT terminals**

Audio input connectors corresponding to INPUT1 to INPUT6 video input connectors.

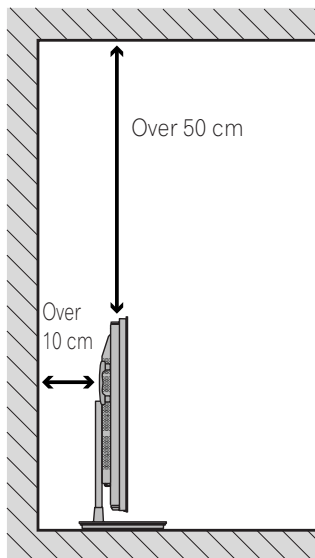
**11 AC IN**

Use to connect the supplied power cord to an AC outlet.

**12 SPEAKER (L) terminals**

For connection of an external left speaker. Connect a speaker that has an impedance of 8 Ω to 16 Ω.

## Installing the Plasma Display



### Location

- Avoid direct sunlight. Maintain adequate ventilation.
- Because the Plasma Display is heavy, be sure to have someone help you when moving it.

### NOTE

- Allow enough space around the upper and back parts when installing to ensure adequate ventilation of the rear of the unit.

### Using the optional PIONEER stand

- For details on installation, refer to the instruction manual supplied with the stand.

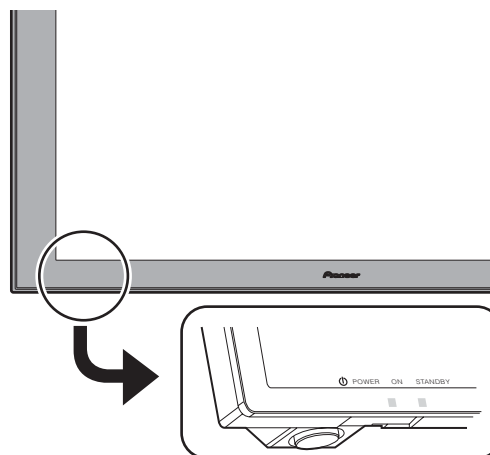
### CAUTION

#### Operating Environment

Operating environment temperature and humidity:  
+0 °C to +40 °C; less than 85 % RH (cooling vents not blocked)

Do not install this unit in a poorly ventilated area, or in locations exposed to high humidity or direct sunlight (or strong artificial light)

### CAUTION



The lower left section of the display unit shown in the illustration above is the location of the MAIN POWER switch and certain parts required for display, and the contour involves a raised projection.

As a result, when transporting and installing the unit, take adequate precautions not to subject this area to impact or unreasonable force, since damage to the parts may result.



## Preventing the Plasma Display from Falling Over

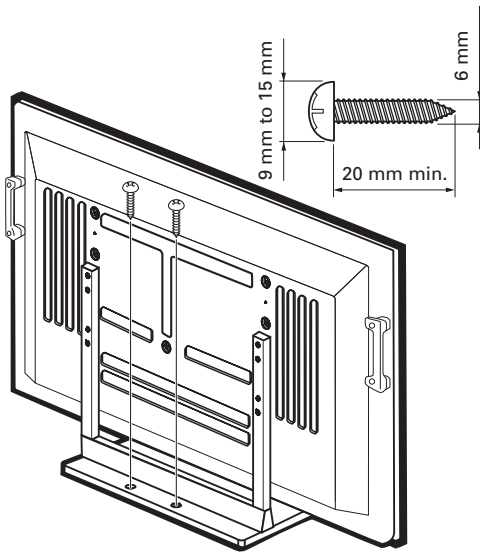
After installing the stand, be sure to take special care to ensure that the Plasma Display will not fall over.

### Stabilizing on a table or floor

Stabilize the Plasma Display as shown in the diagram using screws that are available on the market.

#### NOTE

To stabilize the Plasma Display on a table or on the floor, use screws that have a nominal diameter of 6 mm and that are at least 20 mm long.



#### CAUTION

A table or an area of the floor with adequate strength should always be used to support the Plasma Display. Failure to do so could result in personal injury and physical damage. When installing the Plasma Display, please take the necessary safety measures to prevent it from falling or overturning in case of emergencies, such as earthquakes, or of accidents. If you do not take these precautions, the Plasma Display could fall down and cause injury.

The screws, hooks, chains and other fittings that you use to secure the Plasma Display to prevent it from overturning will vary according to the composition and thickness of the surface to which it will be attached.

Select the appropriate screws, hooks, chains, and other fittings after first inspecting the surface carefully to determine its thickness and composition and after consulting a professional installer if necessary.

### Using a wall for stabilization

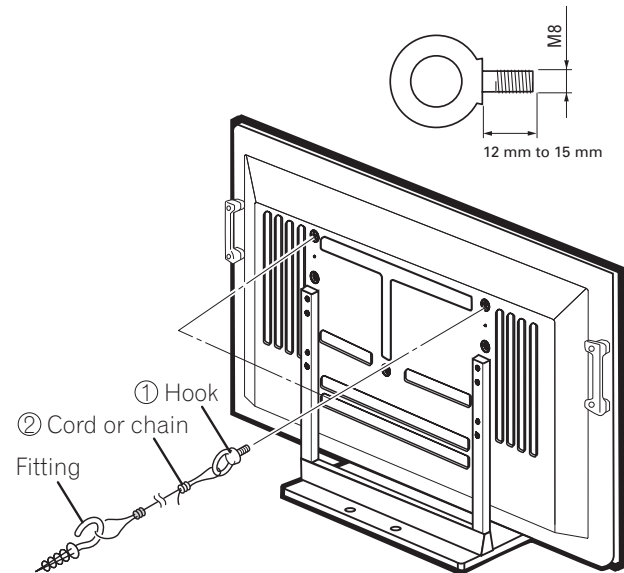
1. **Attach falling prevention bolts (hooks) to the Plasma Display.**
2. **Use strong cords or chains to stabilize it appropriately and firmly to a wall, pillar, or other sturdy element.**

- Perform this work in the same way on the left and right sides.

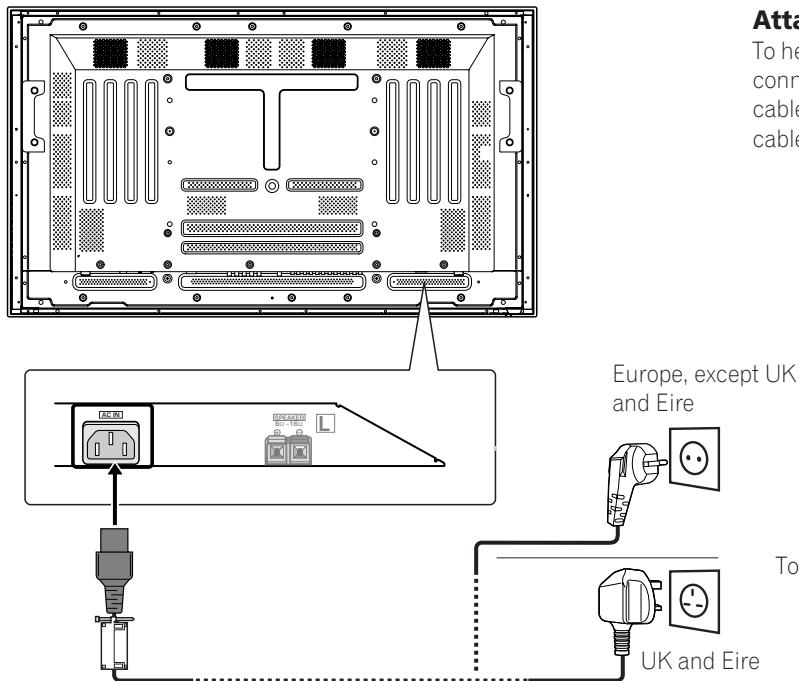
#### NOTE

Use hooks, ropes, chains, and fittings that are available on the market.

Recommended hook: Nominal diameter 8 mm Length 12 mm to 15 mm

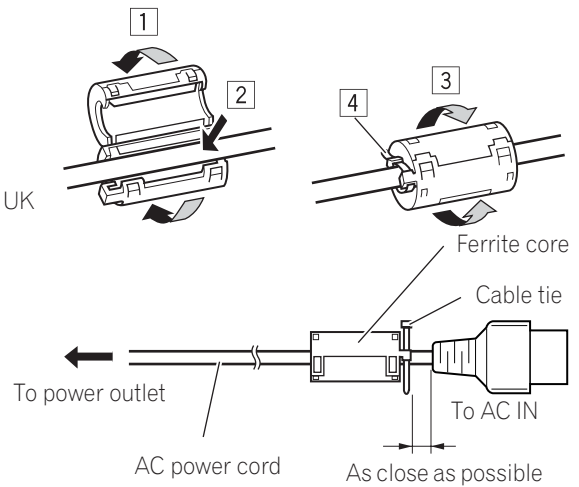


## Connecting the power cord



### Attaching the ferrite core

To help prevent noise, attach the supplied ferrite core to the connector end of the power cord as shown. Use the supplied cable tie to prevent the ferrite core from slipping on the cable.

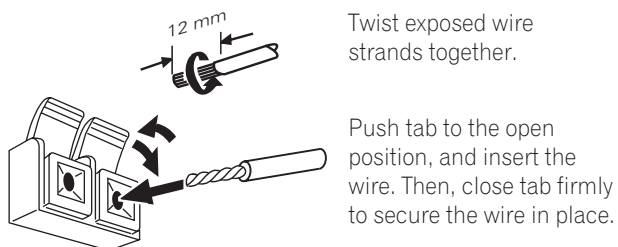


### NOTE

- When not using this unit for extended periods, disconnect the power cord from its outlet.

## Connecting the speakers

This unit is equipped with speaker output terminals. Consult the accompanying illustration when connecting your own speakers.



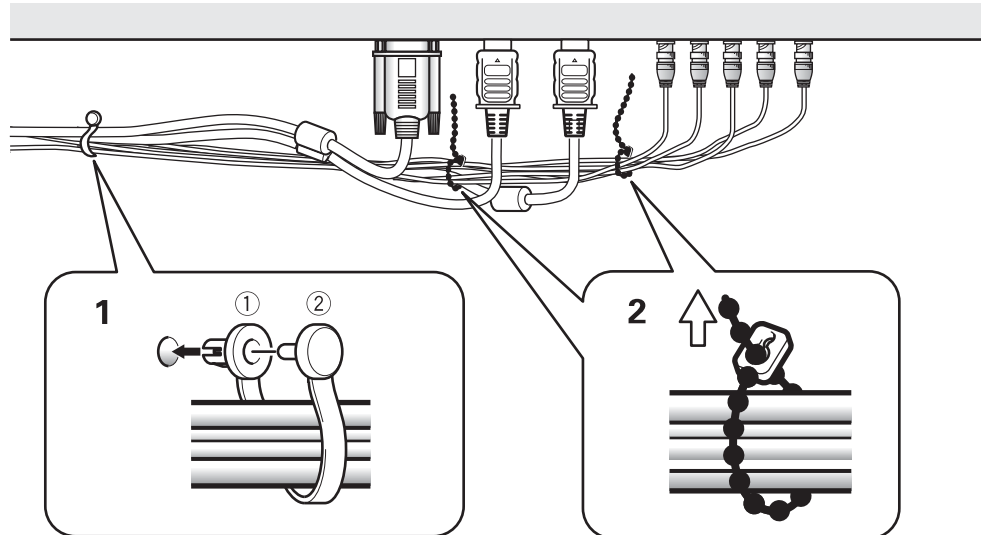
### NOTE

- When connecting speakers, be sure to connect the speaker's positive (+) and negative (-) terminals to the same terminals on this unit. Proper sound will not be produced if the (+) and (-) polarities are not connected correctly.
- This unit supports the use of speakers with 8  $\Omega$  to 16  $\Omega$  impedance.

## How to route cables

Speed clamps and bead bands are included with this unit for bunching cables together. Once components are connected, follow the following steps to route cables.

\* As viewed from the rear of the display.



### 1. Organize cables together using the provided speed clamps.

Insert ① into an appropriate hole on the rear of the unit, then snap ② into the back of ① to fix the clamp.

Speed clamps are designed to be difficult to undo once in place. Please attach carefully.

### 2. Bunch separated cables together and secure them with the provided bead bands.

Do not allow excessive stress to be placed on the ends of cables.

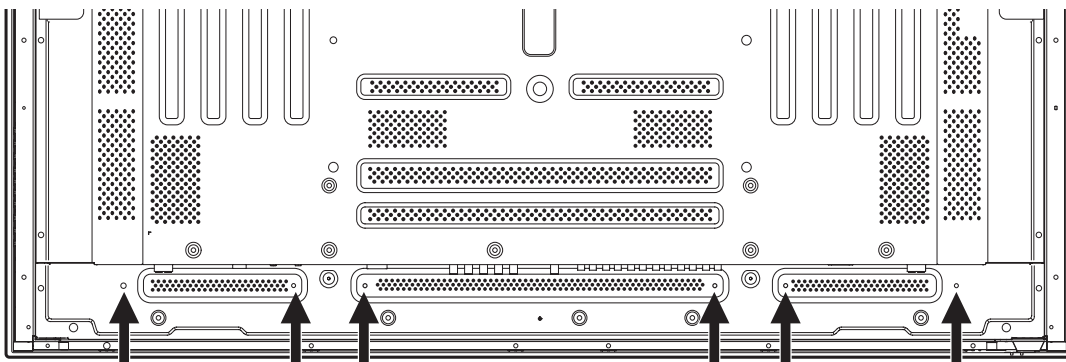
#### NOTE

- Cables can be routed to the right or left.

## To attach the speed clamps to the main unit

Connect the speed clamps using the 6 holes marked with "o" below, depending on the situation.

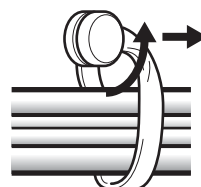
\* As viewed from the rear of the display.



## To remove speed clamps

Using pliers, twist the clamp 90° and pull it outward.

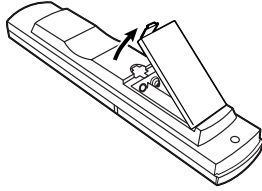
In some cases the clamp may have deteriorated over time and may get damaged when removed.



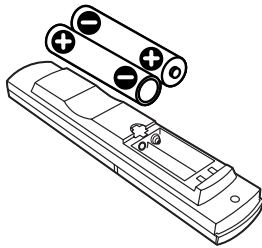
## Preparing the remote control unit

### Inserting batteries

- 1 Open the battery cover.

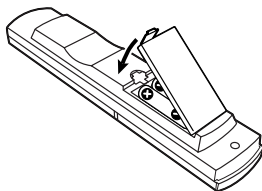


- 2 Load the supplied two AA size batteries while inserting their respective negative polarity (–) ends first.



- Place batteries with their terminals corresponding to the (+) and (–) indicators in the battery compartment.

- 3 Close the battery cover.



### Cautions regarding batteries

Improper use of batteries can result in chemical leakage or explosion. Be sure to follow the instructions below.

- When you replace the batteries, use manganese or alkaline ones.
- Place the batteries with their terminals corresponding to the (+) and (–) indicators.
- Do not mix batteries of different types. Different types of batteries have different characteristics.
- Do not mix old and new batteries. Mixing old and new batteries can shorten the life of new batteries or cause chemical leakage in old batteries.
- Remove batteries as soon as they have worn out. Chemicals that leak from batteries can cause a rash. If you find any chemical leakage, wipe thoroughly with a cloth.
- The batteries supplied with this product may have a shorter life expectancy due to storage conditions.
- If you will not use the remote control unit for an extended period of time, remove the batteries from it.

### ⚠ WARNING

- **Do not use or store batteries in direct sunlight or other excessively hot place, such as inside a car or near a heater. This can cause batteries to leak,**

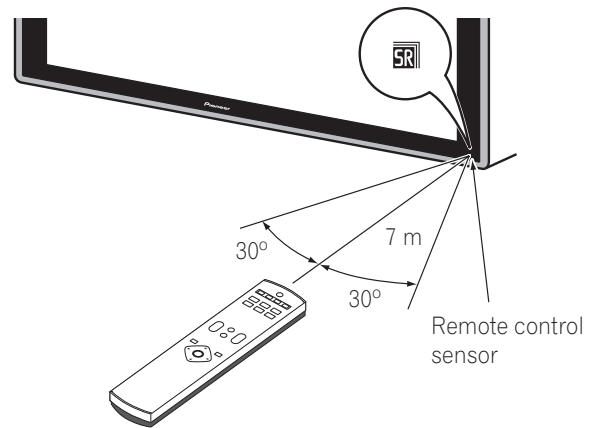
**overheat, explode or catch fire. It can also reduce the life or performance of batteries.**

### ⚠ CAUTION

- **WHEN DISPOSING OF USED BATTERIES, PLEASE COMPLY WITH GOVERNMENTAL REGULATIONS OR ENVIRONMENTAL PUBLIC INSTRUCTION'S RULES THAT APPLY IN YOUR COUNTRY/AREA.**

### Allowed operation range of the remote control unit

Operate the remote control unit while pointing it toward the remote control sensor (SR) located at the bottom right of the front panel of the Plasma Display. The distance from the remote control sensor must be within 7 m and the angle relative to the sensor must be within 30 degrees in the right, left, upward, or downward direction.

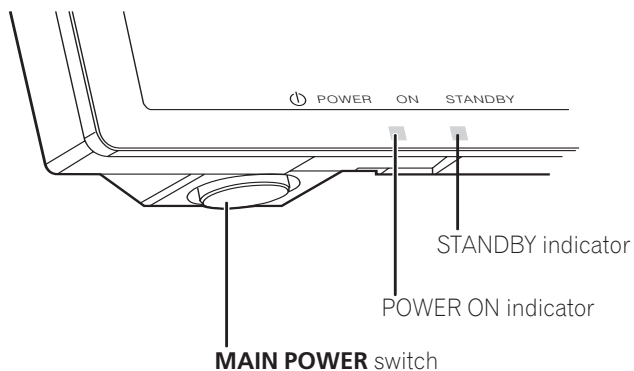


### Cautions regarding the remote control unit

- Do not expose the remote control unit to shock. In addition, do not expose the remote control unit to liquids, and do not place in an area with high humidity.
- Do not install or place the remote control unit under direct sunlight. The heat may cause deformation of the unit.
- The remote control unit may not work properly if the remote control sensor of the Plasma Display is under direct sunlight or strong lighting. In such case, change the angle of the lighting or Plasma Display, or operate the remote control unit closer to the remote control sensor.
- When any obstacle exists between the remote control unit and the remote control sensor, the remote control unit may not function.
- As the batteries become empty, the remote control unit can function within a shorter distance from the remote control sensor. Replace the batteries with new ones early enough.
- The Plasma Display emits very weak infrared rays from its screen. If you place such equipment operated through infrared remote control as a VCR nearby, that equipment may not receive commands from its remote control unit properly or entirely. If this is the case, place that equipment at a location far enough from the Plasma Display.
- Depending on the installation surroundings, this unit's remote control unit may be influenced by the infrared rays discharged from the Plasma Display, hampering reception of its rays or limiting its operational distance. The strength of infrared rays discharged from the screen will differ according to the picture displayed.

### Plasma Display status indicators

The table below shows the operational status of the Plasma Display. You can check the current status of the Plasma Display with the indicators on the Plasma Display.



Indicator Status		Plasma Display Status
POWER ON	STANDBY	
●	●	The power cord of the Plasma Display has been disconnected. Or, the power cord of the Plasma Display has been connected but the <b>MAIN POWER</b> switch of the Plasma Display is off.
☀	●	Power to the Plasma Display is on.
●	☀	The Plasma Display is in the standby mode.
☀ Flashing	●	With the Power Management function (page 29) set to "On", no signal was detected, with the result that the unit switched to the standby mode. The unit will turn back ON, under one of the following conditions: <ul style="list-style-type: none"> <li>• The main unit's <b>INPUT</b> is pressed;</li> <li>• One of the remote control unit's <b>INPUT 1</b> to <b>INPUT 6</b> is pressed;</li> <li>• An input signal is detected once again.</li> </ul> (Repeatedly lights 1 second, then goes out 1 second)
●	☀ Flashing	The unit's protection circuit may have operated. Press the <b>MAIN POWER</b> switch to turn the unit off, then wait one minute before turning the unit on again. (The indicator will light 1 second, then go out for 1 second; after several repeats, the indicator will go out for 2.5 seconds, and then the cycle will repeat.)
☀ Flashing	●	(The indicator will light 1 second, then go out for 1 second; after several repeats, the indicator will go out for 2.5 seconds, and then the cycle will repeat.)
●	●	Power to the Plasma Display is off. Or the power cord of the Plasma Display has been disconnected.

For other than the above, see *Troubleshooting* on page 38.

### Changing the volume and sound

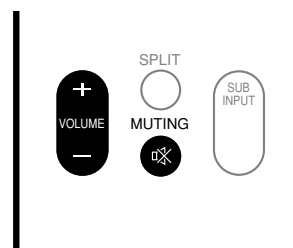
#### Using VOLUME +/-

- To increase the volume, press VOLUME +.
- To decrease the volume, press VOLUME -.

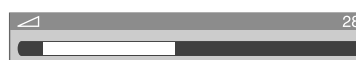
#### Using MUTING on the remote control unit

**MUTING** mutes the current sound output.

- 1 Press **MUTING**.
  - **MUTING** appears on the screen.
- 2 Press **MUTING** again to cancel the mute mode.
  - Pressing VOLUME + also cancels the mute mode.



#### Volume adjustment



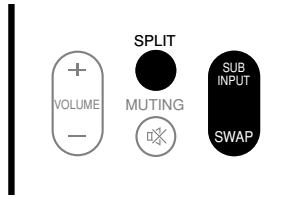
#### Muting



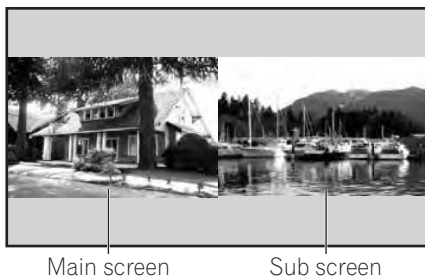
## Use the multiscreen functions

### Splitting the screen

Use the following procedure to select 2-screen mode.



- 1 Press the remote control unit's **SPLIT**.  
The main screen is displayed on the left and the subscreen on the right.

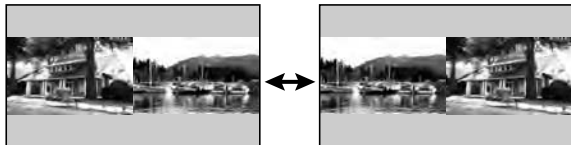


- 2 Press the remote control unit's **SUB INPUT** to select the subscreen input source.

#### To exchange the main screen and subscreen inputs

Press the remote control unit's **SWAP**.

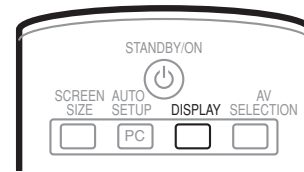
The right and left sides of the display will switch; what was previously the main screen will now show the subscreen, and vice versa.



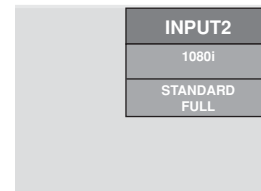
#### NOTE

- The multiscreen function cannot display images from the same input source at the same time. If you make such an attempt, a warning message appears.
- The multiscreen function cannot display images from INPUT2 and INPUT3 simultaneously. If you make such an attempt, a warning message appears.
- When you press **HOME MENU** the single-screen mode is restored and the corresponding menu is displayed.
- When in the 2-screen mode, images displayed on the right screen may look less fine, depending on the images.
- If you select 1920\*1080p@24 Hz for the main screen in the 2-screen mode, video images may not be displayed properly because of the Plasma Display's capability.
- PAL 60 signals are not suited for image display on the Sub screen.
- If the multiscreen function is used continuously for several hours, or for shorter periods of time over several days, a permanent after-image may remain on the screen due to burning of the fluorescent materials.

## Confirming current status



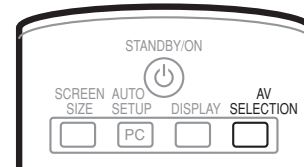
- 1 Press the remote control unit's **DISPLAY**.  
The currently selected input source and settings will be displayed.  
Display example: Under normal conditions (with video signal input)



## AV Selection

Select from the five viewing options, depending on the current environment (e.g., room brightness), the type of images input from external equipment.

Each time the remote control unit's **AV SELECTION** is pressed, the AV function alternates.



### For AV source

Item	Description
<b>STANDARD</b>	For a highly defined image in a normally bright room You can set the mode for each input source.
<b>DYNAMIC</b>	For a very sharp image with the maximum contrast This mode does not allow manual image quality adjustment.
<b>MOVIE</b>	For a movie You can set the mode for each input source.
<b>GAME</b>	Lowers image brightness for easier viewing You can set the mode for each input source.
<b>USER</b>	Allows the user to customize settings as desired. You can set the mode for each input source.

## For PC source

Item	Description
<b>STANDARD</b>	For a highly defined image in a normally bright room
<b>USER</b>	Allows the user to customize settings as desired. You can set the mode for each input source.

### NOTE

- If you have selected "DYNAMIC", you cannot select "Contrast", "Brightness", "Color", "Tint", "Sharpness", "Pro Adjust", and "Reset"; these menu items are dimmed.

## Selecting a screen size manually

Press **SCREEN SIZE** to switch among the screen size options selectable for the type of video signals currently received.

- Each time you press **SCREEN SIZE**, the selection is switched.
- The selectable screen sizes differ depending on the types of input signals.

## AV mode

Item	Description
<b>4:3</b>	For 4:3 "standard" pictures. A side mask appears on each side.
<b>FULL 14:9</b>	For 14:9 squeeze pictures. A thin side mask appears on each side.
<b>CINEMA 14:9</b>	For 14:9 letterbox pictures. A thin side mask appears on each side, and you may also see bars on the top and bottom with some programmes.
<b>WIDE</b>	In this mode the picture is progressively stretched toward each side of the screen.
<b>FULL</b>	For 16:9 squeeze pictures.
<b>ZOOM</b>	For 16:9 letterbox pictures. Bars may appear on the top and bottom with some programmes.
<b>CINEMA</b>	For 14:9 letterbox pictures. Bars may appear on the top and bottom on some programmes.
<b>Dot by Dot</b>	Matches input signal with same number of screen pixels. Enabled only when input source size is 1920x1080.

## PC mode

Item	Description
<b>4:3</b>	Fills the screen without altering the input signal aspect ratio.
<b>FULL</b>	Full 16:9 screen display
<b>Dot by Dot</b>	Matches input signal with same number of screen pixels.

### NOTE

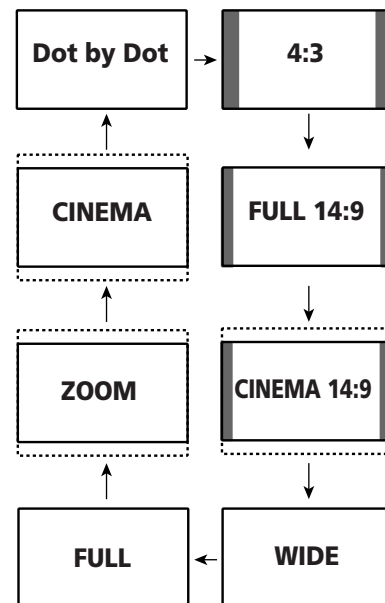
- The Plasma Display's imaging characteristics may deteriorate if the following screen sizes are displayed for a prolonged period: 4:3, FULL 14:9, CINEMA 14:9, Dot by Dot (except when the input size is 1920x1080).

If the above screen sizes are displayed continuously for several hours, or for shorter periods of time over several days, a permanent after-image may remain on the screen due to burning of the fluorescent materials.

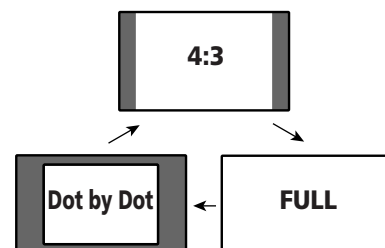
Unless doing so would infringe copyright restrictions, it is strongly recommended to choose a screen size that does not produce black bands at top/bottom or right/left of the screen.

- When using the Plasma Display in a profit-making activity, or when exhibiting images publicly, using the screen size function to compress or stretch the image may result in infringement of the copyrights of the image owners.

## AV mode



## PC mode



## Using the menu

### AV mode menus

Home Menu	Item	Page
Picture	Contrast	25
	Brightness	25
	Color	25
	Tint	25
	Sharpness	25
	Pro Adjust	25
	Reset	25
Sound	Treble	28
	Bass	28
	Balance	28
	Front Surround	28
	FOCUS	28
	Reset	28
	Power Control	Energy Save
No Signal off		29
Power Management		29
Option	Position	30
	Auto Size	32
	4:3 Mode	32
	Drive Mode	30
Setup	Language	25
	SR+	37
	INPUT1	31, 35
	INPUT2	33, 34
	INPUT3	33, 34
	INPUT4	31
	INPUT5	31, 33
INPUT6	31, 33	

### PC mode menus

Home Menu	Item	Page
Picture	Contrast	25
	Brightness	25
	Red	25
	Green	25
	Blue	25
	Reset	25

Sound	Treble	28
	Bass	28
	Balance	28
	Front Surround	28
	FOCUS	28
	Reset	28

Power Control	Energy Save	29
	No Signal Off	29
	Power Management	29

Option	Manual Setup	30
--------	--------------	----

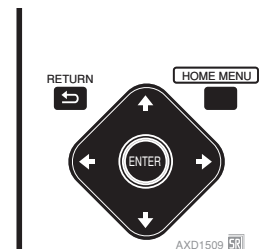
Setup	Language	25
	SR+	37
	INPUT1	31, 35
	INPUT2	33, 34
	INPUT3	33, 34
	INPUT4	31
	INPUT5	31, 33
INPUT6	31, 33	

### Menu operations

The following describes the typical procedure for setting up the menus. For the actual procedures, see the appropriate pages that describes individual functions.

#### NOTE

- Items within parentheses ( ) indicate notations for the main unit buttons when they differ from those on the remote control unit.



- 1 Press **HOME MENU**.
- 2 Press **↑/↓** to select a menu item, and then press **ENTER (ENTER/DISP.)**.
- 3 Repeat step 2 until you access the desired submenu item.
  - The number of menu layers differs depending on the menu items.
- 4 Press **←/→** to select an option (or parameter), and then press **ENTER (ENTER/DISP.)**.
  - For some menu items, press **↑/↓** instead of **←/→**.
- 5 Press **HOME MENU, INPUT 1 to INPUT 6 (INPUT)** to exit the menu.

#### NOTE

- You can return to the upper menu levels by pressing **RETURN**.



## Language setting

You can select the language to be used for on-screen display such as menus and instructions, from among 15 languages; English, German, French, Italian, Spanish, Dutch, Swedish, Portuguese, Greek, Finnish, Russian, Turkish, Norwegian, Danish and Japanese.

- 1 Press **HOME MENU**.
- 2 Select "Setup" (▲/▼ then **ENTER (ENTER/DISP.)**).
- 3 Select "Language" (▲/▼).
- 4 Select a language (◀/▶).

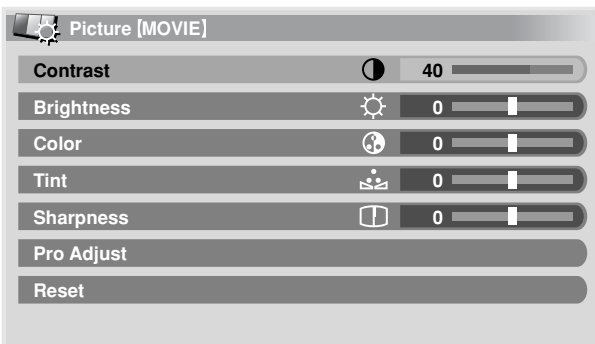


- 5 Press **HOME MENU, INPUT 1 to INPUT 6 (INPUT)** to exit the menu.

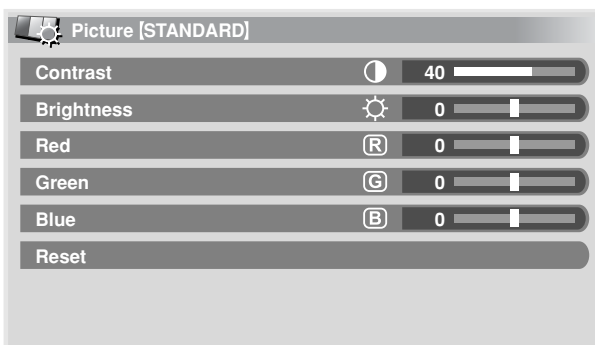
## Basic picture adjustments

Adjust the picture to your preference for the chosen AV Selection option (except DYNAMIC).

- 1 Press **HOME MENU**.
- 2 Select "Picture" (▲/▼ then **ENTER (ENTER/DISP.)**).
- 3 Select an item to be adjusted (▲/▼ then **ENTER (ENTER/DISP.)**).



For PC source or Home Gallery, the following screen appears.



- 4 Select the desired level (◀/▶).



- When an adjustment screen is in display, you can also change the item to be adjusted, by pressing ▲/▼.

- 5 Press **HOME MENU, INPUT 1 to INPUT 6 (INPUT)** to exit the menu.

### For AV source

Item	◀ button	▶ button
Contrast	For less contrast	For more contrast
Brightness	For less brightness	For more brightness
Color	For less color intensity	For more color intensity
Tint	Skin tones become purplish	Skin tones become greenish
Sharpness	For less sharpness	For more sharpness

### For PC source

Item	◀ button	▶ button
Contrast	For less contrast	For more contrast
Brightness	For less brightness	For more brightness
Red	For weaker red	For stronger red
Green	For weaker green	For stronger green
Blue	For weaker blue	For stronger blue

### NOTE

- To perform advanced picture adjustments, select "Pro Adjust" in step 3 and then press **ENTER (ENTER/DISP.)**. For the subsequent procedures, see "Advanced picture adjustments".
- To restore the factory defaults for all items, press ▲/▼ to select "Reset" in step 3, and then press **ENTER (ENTER/DISP.)**. A confirmation screen appears. Press ▲/▼ to select "Yes", and then press **ENTER (ENTER/DISP.)**.

## Advanced picture adjustments

The Plasma Display provides various advanced functions for optimising the picture quality. For details on these functions, see the tables.

Several functions are not available when 1080p@50 Hz or 1080p@60 Hz signals are input.

### Using PureCinema

- 1 Press **HOME MENU**.
- 2 Select "Picture" (▲/▼ then **ENTER (ENTER/DISP.)**).
- 3 Select "Pro Adjust" (▲/▼ then **ENTER (ENTER/DISP.)**).
- 4 Select "PureCinema" (▲/▼ then **ENTER (ENTER/DISP.)**).
- 5 Select the desired parameter (▲/▼ then **ENTER (ENTER/DISP.)**).
  - For the selectable parameters, see the table.

#### PureCinema

Automatically detects a film-based source (originally encoded at 24 frames/second), analyses it, then recreates each still film frame for high-definition picture quality.

## PureCinema

Selections	Off	Deactivates the PureCinema.
	Standard	Produces smooth and vivid moving images (film specific) by automatically detecting recorded image information when displaying DVD or high-definition images (e.g., movies) having 24 frames per second.
	Advanced	Produces smooth and quality moving images (as shown on theatre screens) by converting to 72 Hz when displaying DVD images (e.g., movies) having 24 frames per second.

## NOTE

- "Standard" is not selectable when 480p or 720p@60 Hz signals are input.
- "Advanced" is not selectable when PAL, SECAM, 576i, or 1080i@50 Hz signals are input.
- Neither "Standard" nor "Advanced" is selectable when 576p, 1080p or 720p@ 50 Hz signals are input.

## Using Color Temp

- 1 Press **HOME MENU**.
- 2 Select "Picture" (▲/▼ then **ENTER (ENTER/DISP.)**).
- 3 Select "Pro Adjust" (▲/▼ then **ENTER (ENTER/DISP.)**).
- 4 Select "Color Detail" (▲/▼ then **ENTER (ENTER/DISP.)**).
- 5 Select "Color Temp" (▲/▼ then **ENTER (ENTER/DISP.)**).
- 6 Select the desired parameter (▲/▼ then **ENTER (ENTER/DISP.)**).
  - If you have selected a desired parameter in this step, skip steps 7 and 8.
  - You may rather want to perform fine adjustment. To do this, select "Manual" first and then press and hold **ENTER (ENTER/DISP.)** for more than three seconds. The manual adjustment screen appears. Then go to step 7.

## Color Temp

Adjusts the color temperature, resulting in a better white balance.

Selections	High	White with bluish tone
	Mid-High	Intermediate tone between High and Mid
	Mid	Natural tone
	Mid-Low	Intermediate tone between Mid and Low
	Low	White with reddish tone
	Manual	Color temperature adjusted to your preference

- 7 Select an item to be adjusted (▲/▼ then **ENTER (ENTER/DISP.)**).
- 8 Select the desired level (◀/▶).

Item	◀ button	▶ button
<b>R High</b>	Fine adjustment for brighter portions	For weaker red
<b>G High</b>		For stronger red
		For weaker green
		For stronger green
<b>B High</b>		For weaker blue
		For stronger blue

Item	◀ button	▶ button
<b>R Low</b>	Fine adjustment for darker portions	For weaker red
<b>G Low</b>		For stronger red
		For weaker green
		For stronger green
<b>B Low</b>		For weaker blue
		For stronger blue

- To perform adjustment for another item, press **RETURN**, and then repeat steps 7 and 8.
- You may press ▲/▼ to immediately change an item to be adjusted.

- 9 Press **HOME MENU, INPUT 1 to INPUT 6 (INPUT)** to exit the menu.

## Using CTI

- 1 Press **HOME MENU**.
- 2 Select "Picture" (▲/▼ then **ENTER (ENTER/DISP.)**).
- 3 Select "Pro Adjust" (▲/▼ then **ENTER (ENTER/DISP.)**).
- 4 Select "Color Detail" (▲/▼ then **ENTER (ENTER/DISP.)**).
- 5 Select "CTI" (▲/▼ then **ENTER (ENTER/DISP.)**).
- 6 Select the desired parameter (▲/▼ then **ENTER (ENTER/DISP.)**).

## CTI

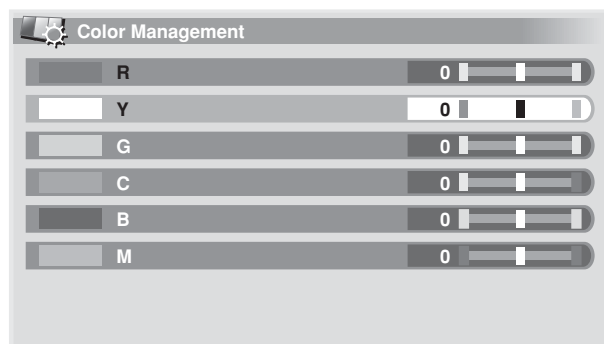
Provides images with clearer color contours. The CTI stands for Color Transient Improvement.

Selections	Off	Deactivates the CTI.
	On	Activates the CTI.

- 7 Press **HOME MENU, INPUT 1 to INPUT 6 (INPUT)** to exit the menu.

## Using Color Management

- 1 Press **HOME MENU**.
- 2 Select "Picture" (▲/▼ then **ENTER (ENTER/DISP.)**).
- 3 Select "Pro Adjust" (▲/▼ then **ENTER (ENTER/DISP.)**).
- 4 Select "Color Detail" (▲/▼ then **ENTER (ENTER/DISP.)**).
- 5 Select "Color Management" (▲/▼ then **ENTER (ENTER/DISP.)**).
- 6 Select an item to be adjusted (▲/▼ then **ENTER (ENTER/DISP.)**).



- 7 Select the desired level (◀/▶).

Item	← button	→ button
R	Closer to magenta	Closer to yellow
Y	Closer to red	Closer to green
G	Closer to yellow	Closer to cyan
C	Closer to green	Closer to blue
B	Closer to cyan	Closer to magenta
M	Closer to blue	Closer to red

- To perform adjustment for another item, press **RETURN**, and then repeat steps 6 and 7.
- You may press **▲/▼** to immediately change an item to be adjusted.

**8** Press **HOME MENU, INPUT 1** to **INPUT 6 (INPUT)** to exit the menu.

## Reducing the noise in images

- Press **HOME MENU**.
- Select "Picture" (**▲/▼** then **ENTER (ENTER/DISP.)**).
- Select "Pro Adjust" (**▲/▼** then **ENTER (ENTER/DISP.)**).
- Select "NR" (**▲/▼** then **ENTER (ENTER/DISP.)**).
- Select an item to be adjusted (**▲/▼** then **ENTER (ENTER/DISP.)**).
  - You can select "DNR" or "MPEG NR".
- Select the desired parameter (**▲/▼** then **ENTER (ENTER/DISP.)**).

DNR		
Reduces video noise for clean crisp images. The DNR stands for Digital Noise Reduction.		
Selections	Off	Deactivates the DNR.
	High	Enhanced DNR
	Mid	Standard DNR
	Low	Moderate DNR

MPEG NR		
Reduces mosquito noise from video image when a digital TV channel is watched or a DVD is played, resulting in noise-free images.		
Selections	Off	Deactivates the MPEG NR.
	High	Enhanced MPEG NR
	Mid	Standard MPEG NR
	Low	Moderate MPEG NR

**7** Press **HOME MENU, INPUT 1** to **INPUT 6 (INPUT)** to exit the menu.

## Using the Dynamic Range Expander (DRE) functions

- Press **HOME MENU**.
- Select "Picture" (**▲/▼** then **ENTER (ENTER/DISP.)**).
- Select "Pro Adjust" (**▲/▼** then **ENTER (ENTER/DISP.)**).
- Select "DRE" (**▲/▼** then **ENTER (ENTER/DISP.)**).
- Select an item to be adjusted (**▲/▼** then **ENTER (ENTER/DISP.)**).

- You can select "Dynamic Contrast", "Black Level", "ACL" or "Gamma".

**6** Select the desired parameter (**▲/▼** then **ENTER (ENTER/DISP.)**).

Dynamic Contrast		
Emphasises the contrast on images so that the difference between brightness and darkness becomes more distinct.		
Selections	Off	Deactivates the Dynamic Contrast.
	High	Enhanced Dynamic Contrast
	Mid	Standard Dynamic Contrast
	Low	Moderate Dynamic Contrast

Black Level		
Emphasises dark portion on images so that the difference between brightness and darkness becomes more distinct.		
Selections	Off	Deactivates the Black Level.
	On	Activates the Black Level.

ACL		
Performs such compensation that results in the optimum contrast characteristics for images.		
Selections	Off	Deactivates the ACL.
	On	Activates the ACL.

Gamma		
Adjusts the gamma characteristics (image gradation characteristics).		
Selections	1	Selects gamma characteristics 1.
	2	Selects gamma characteristics 2.
	3	Selects gamma characteristics 3.

**7** Press **HOME MENU, INPUT 1** to **INPUT 6 (INPUT)** to exit the menu.

## Using the 3DYC and I-P Mode

- Press **HOME MENU**.
- Select "Picture" (**▲/▼** then **ENTER (ENTER/DISP.)**).
- Select "Pro Adjust" (**▲/▼** then **ENTER (ENTER/DISP.)**).
- Select "Others" (**▲/▼** then **ENTER (ENTER/DISP.)**).
- Select an item to be adjusted (**▲/▼** then **ENTER (ENTER/DISP.)**).
  - You can select "3DYC" or "I-P Mode".
- Select the desired parameter (**▲/▼** then **ENTER (ENTER/DISP.)**).

3DYC		
Optimises characteristics for separating brightness signals and color signals. This works for both video and still images.		
Selections	Off	Deactivates the 3DYC.
	High	Enhanced 3DYC
	Mid	Standard 3DYC
	Low	Moderate 3DYC

**I-P Mode**

Perform optimum conversion from interlace signals to progressive signals. This works for both video and still images.

Selections	1	Optimum for video images
	2	Standard setting
	3	Optimum for still images

- Press **HOME MENU**, **INPUT 1** to **INPUT 6 (INPUT)** to exit the menu.

**NOTE**

Can be set only when a video signal is input. However, this setting is not supported if either of the following conditions apply:

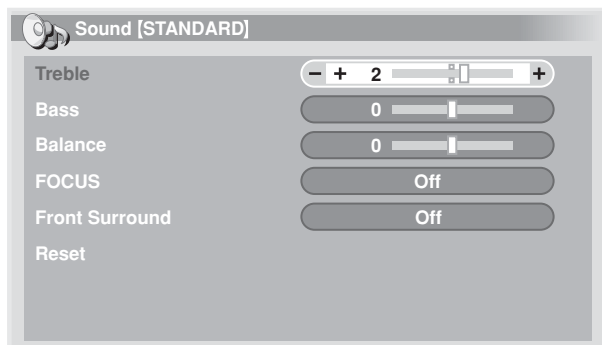
- Conditions for setting "3DYC": NTSC signal input and PAL signal input from INPUT6.
- Signals for which "I-P Mode" is not settable: 480p, 720p, 576p, 1080p.

**Sound adjustments**

You can adjust the sound quality to your preference with the following settings.

Adjust the sound to your preference for the chosen AV Selection option. See page 22.

- Press **HOME MENU**.
- Select "Sound" (▲/▼ then **ENTER (ENTER/DISP.)**).
- Select an item to be adjusted (▲/▼).
- Select the desired level (◀/▶).



Item	◀ button	▶ button
<b>Treble</b>	For weaker treble	For stronger treble
<b>Bass</b>	For weaker bass	For stronger bass
<b>Balance</b>	Decreases audio from the right speaker.	Decreases audio from the left speaker.

- Press **HOME MENU**, **INPUT 1** to **INPUT 6 (INPUT)** to exit the menu.

**NOTE**

- To restore the factory defaults for all items, press ▲/▼ to select "Reset" in step 3, and then press **ENTER (ENTER/DISP.)**. A confirmation screen appears. Press ▲/▼ to select "Yes", and then press **ENTER (ENTER/DISP.)**.

**FOCUS**

This shifts the sound coming direction (sound images) upward and produces clear sound contours.

- Press **HOME MENU**.
- Select "Sound" (▲/▼ then **ENTER (ENTER/DISP.)**).
- Select "FOCUS" (▲/▼).
- Select the desired parameter (◀/▶).



Item	Description
<b>Off</b>	Deactivates the FOCUS.
<b>On</b>	Activates the FOCUS.

- Press **HOME MENU**, **INPUT 1** to **INPUT 6 (INPUT)** to exit the menu.

**NOTE**

- The effect of this function differs depending on signals.

**Front Surround**

This provides three-dimensional sound effects and/or deep, rich bass.

- Press **HOME MENU**.
- Select "Sound" (▲/▼ then **ENTER (ENTER/DISP.)**).
- Select "Front Surround" (▲/▼).
- Select the desired parameter (◀/▶).

Item	Description
<b>Off</b>	Deactivates both the SRS and TruBass.
<b>SRS</b>	Reproduces highly effective three-dimensional sound.
<b>TruBass</b>	Provides deep, rich bass using a new technology.
<b>TruBass + SRS</b>	Provides both TruBass and SRS effects.

- Press **HOME MENU**, **INPUT 1** to **INPUT 6 (INPUT)** to exit the menu.

**NOTE**

- **SRS WOW** (WOW) designates a status where the FOCUS is on and TruBass + SRS has been selected for Front Surround.
- **SRS WOW** is a trademark of SRS Labs, Inc.
- WOW technology is incorporated under license from SRS Labs, Inc.
- The effect of this function differs depending on signals.

## Power Control

Power Control provides convenient functions for power saving.

### Energy Save

You may use one of the two Energy Save modes to save power consumption.

- 1 Press **HOME MENU**.
- 2 Select "Power Control" (▲/▼ then **ENTER (ENTER/DISP.)**).
- 3 Select "Energy Save" (▲/▼).
- 4 Select "Save 1" or "Save 2" (←/→).

Item	Description
<b>Standard</b>	Does not decrease the picture brightness.
<b>Save1</b>	Slightly lowers power consumption while slightly suppressing the brightness drop level.
<b>Save2</b>	Decreases the picture brightness and lowers power consumption.

- 5 Press **HOME MENU, INPUT 1 to INPUT 6 (INPUT)** to exit the menu.

### No Signal off

The Plasma Display will be automatically placed into the standby mode if no signal is received for 8 minutes.

- 1 Press **HOME MENU**.
- 2 Select "Power Control" (▲/▼ then **ENTER (ENTER/DISP.)**).
- 3 Select "No Signal off" (▲/▼).
- 4 Select "Enable" (←/→).

Item	Description
<b>Disable</b>	Does not place the Plasma Display into the standby mode.
<b>Enable</b>	Places the Plasma Display into the standby mode if no signal is received for 8 minutes.

- 5 Press **HOME MENU, INPUT 1 to INPUT 6 (INPUT)** to exit the menu.

### NOTE

- INPUT1 to INPUT6 are enabled. INPUT1 and 4 are disabled, however, when they have "Signal Type" set to "PC."
- Operation is disabled during display of the HOME MENU.
- A message will be displayed immediately before the Plasma Display enters standby mode.

## Power Management

The Plasma Display will be automatically placed into the standby mode when no signal is received.

- 1 Press **HOME MENU**.
- 2 Select "Power Control" (▲/▼ then **ENTER (ENTER/DISP.)**).
- 3 Select "Power Management" (▲/▼).
- 4 Select "Enable" (←/→).

Item	Description
<b>Disable</b>	No power management
<b>Enable</b>	If no input signal is detected for one minute or more, the unit automatically enters the standby mode. If a signal is subsequently detected, the unit automatically turns ON.

- 5 Press **HOME MENU, INPUT 1 to INPUT 6 (INPUT)** to exit the menu.

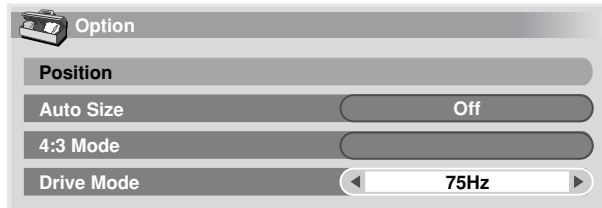
### NOTE

- INPUT1 and INPUT4 only are enabled. However, when "Signal Type" is set to "AV", they are disabled.
- Operation is disabled during display of the HOME MENU.

## Switching the vertical drive frequency (AV mode only)

You can switch the vertical drive frequency for screen display between 75 Hz and 100 Hz. Choose the drive frequency that better suits your input signals.

- 1 Press **HOME MENU**.
- 2 Select "Option" (▲/▼ then **ENTER (ENTER/DISP.)**).
- 3 Select "Drive Mode" (▲/▼).
- 4 Select "75Hz" or "100Hz" (◀/▶).



- 5 Press **HOME MENU, INPUT 1 to INPUT 6 (INPUT)** to exit the menu.

### NOTE

- This setting can be made for each input source separately.
- This setting is disabled when 480i, 480p, 1080i@60 Hz, 720p@60 Hz, 1080p@24 Hz, 1080p@60 Hz, 4.43 NTSC signals, or NTSC signals are input.

## Adjusting image positions (AV mode only)

Adjust the horizontal and vertical positions of images on the Plasma Display.

- 1 Press **HOME MENU**.
- 2 Select "Option" (▲/▼ then **ENTER (ENTER/DISP.)**).
- 3 Select "Position" (▲/▼ then **ENTER (ENTER/DISP.)**).
- 4 Select "H/V Position Adjust" (▲/▼ then **ENTER (ENTER/DISP.)**).



- 5 Adjust the vertical position (▲/▼) or the horizontal position (◀/▶).
- 6 Press **HOME MENU, INPUT 1 to INPUT 6 (INPUT)** to exit the menu.

### NOTE

- To restore the factory defaults for all items, press ▲/▼ to select "Reset" in step 4, and then press **ENTER (ENTER/DISP.)**. A confirmation screen appears. Press ▲/▼ to select "Yes", and then press **ENTER (ENTER/DISP.)**.
- Adjustments are stored separately according to input source.
- When using the INPUT1 terminal, this function is not available.

## Adjusting image positions and clock automatically (PC mode only)

Use Auto Setup to automatically adjust the positions and clock of images coming from a personal computer.

- 1 Press **PC AUTO SET UP** on the remote control unit.
  - Auto Setup starts.
- 2 Press **HOME MENU, INPUT 1 to INPUT 6 (INPUT)** to exit the menu.

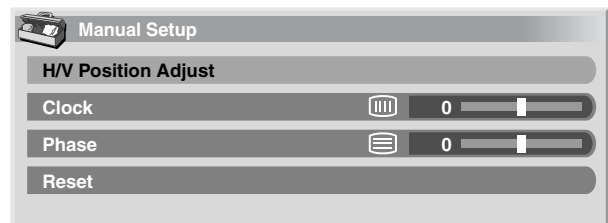
### NOTE

- When Auto Setup is finished, "Auto Setup completed." appears.
- Even when "Auto Setup completed" appears, Auto Setup may have failed, depending on conditions.
- Auto Setup may fail with a PC image composed of similar patterns or monochrome. If not successful, change the PC image and try again.
- Be sure to connect the computer to the unit and switch it on before starting Auto Setup.

## Adjusting image positions and clock manually (PC mode only)

Usually you can easily adjust the positions and clock of images using Auto Setup. Use Manual Setup to optimise the positions and clock of images when necessary.

- 1 Press **HOME MENU**.
- 2 Select "Option" (▲/▼ then **ENTER (ENTER/DISP.)**).
- 3 Select "Manual Setup" (▲/▼ then **ENTER (ENTER/DISP.)**).
- 4 Select the item to be adjusted (▲/▼ then **ENTER (ENTER/DISP.)**).



- 5 Perform adjustment (◀/▶ and ▲/▼).  
With "Clock" or "Phase" selected, you can change the parameter using ▲/▼.
- 6 Press **HOME MENU, INPUT 1 to INPUT 6 (INPUT)** to exit the menu.

### NOTE

- To restore the factory defaults for all the items, press ▲/▼ to select "Reset" in step 4, and then press **ENTER (ENTER/DISP.)**. A confirmation screen appears. Press ▲/▼ to select "Yes", and then press **ENTER (ENTER/DISP.)**.

## Selecting an input signal type

After connecting to the INPUT1 or INPUT4 terminal, specify the type of video signals to be received from the connected equipment. For the type of the signals, see the operation manual that came with the connected equipment.

Before starting the menu, press **INPUT 1** or **INPUT 4 (INPUT)** to select an input source.

- 1 Press **HOME MENU**.
- 2 Select "Setup" (▲/▼ then **ENTER (ENTER/DISP.)**).
- 3 Select "INPUT1" or "INPUT4" (▲/▼ then **ENTER (ENTER/DISP.)**).
- 4 Select a signal type (◀/▶).



- For INPUT1, you can select AV or PC.
- For INPUT4, you can select AV or PC. In addition, you may select color decoding, component, or RGB. XGA, WXGA or AUTO can be selected with the XGA/WXGA setting.

- 5 Press **HOME MENU, INPUT 1** to **INPUT 6 (INPUT)** to exit the menu.

### NOTE

- If no image appears or images appear in inappropriate colors, specify another video signal type.
- For the signal types to be specified, check the operation manual that came with the connected equipment.

## Color system setting

If an image does not appear clearly, select another color system (e.g., PAL, NTSC).

- 1 Press **HOME MENU**.
- 2 Select "Setup" (▲/▼ then **ENTER (ENTER/DISP.)**).
- 3 Select "INPUT5" or "INPUT6" (▲/▼ then **ENTER (ENTER/DISP.)**).
- 4 Select a video signal system (◀/▶).



- You can select "Auto", "PAL", "SECAM", "NTSC", "4.43NTSC", "PAL-M" or "PAL-N".
- With "Auto" selected, input signals are automatically identified.

- 5 Press **HOME MENU, INPUT 1** to **INPUT 6 (INPUT)** to exit the menu.

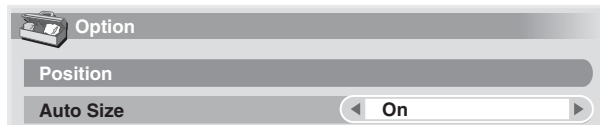
### NOTE

- You need to perform color system setting for each of INPUT5 and 6.

### Selecting a screen size automatically (AV mode only)

The Plasma Display automatically selects an appropriate screen size when video signals are received from a connected HDMI equipment (see page 33). To activate this function, use the following procedure.

- 1 Press **HOME MENU**.
- 2 Select "Option" (▲/▼ then **ENTER (ENTER/DISP.)**).
- 3 Select "Auto Size" (▲/▼).
- 4 Select "On" (◀/▶).



Item	Description
Off	Deactivates the Auto Size function.
On	Activates the Auto Size function.

- 5 Press **HOME MENU, INPUT 1 to INPUT 6 (INPUT)** to exit the menu.



#### NOTE

- Manually select an appropriate screen size if an image does not automatically switch to a correct screen format.
- When the video signal contains no aspect ratio information, the function will not work even with "On" selected.

### Selecting a screen size for received 4:3 aspect ratio signals (AV mode only)

Specify whether the Plasma Display should choose the 4:3 mode or WIDE mode when 4:3 aspect ratio signals are received with the Auto Size function activated.

- 1 Press **HOME MENU**.
- 2 Select "Option" (▲/▼ then **ENTER (ENTER/DISP.)**).
- 3 Select "4:3 Mode" (▲/▼).
- 4 Select "WIDE" or "4:3" (◀/▶).



Item	Description
WIDE	Wide image without side masks.
4:3	Keeps the 4:3 aspect ratio and presents side masks.

WIDE



4:3



- 5 Press **HOME MENU, INPUT 1 to INPUT 6 (INPUT)** to exit the menu.



You can connect many types of external equipment to your Plasma Display, like a decoder, VCR, DVD player, personal computer, game console, and camcorder.

**NOTE**

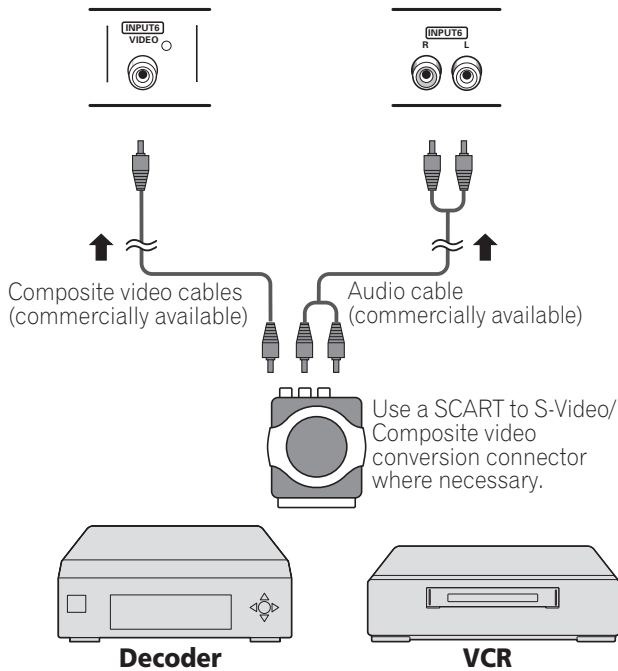
- Refer to the relevant operation manual (DVD player, personal computer, etc.) carefully before making connections.

## Watching a decoder or VCR image

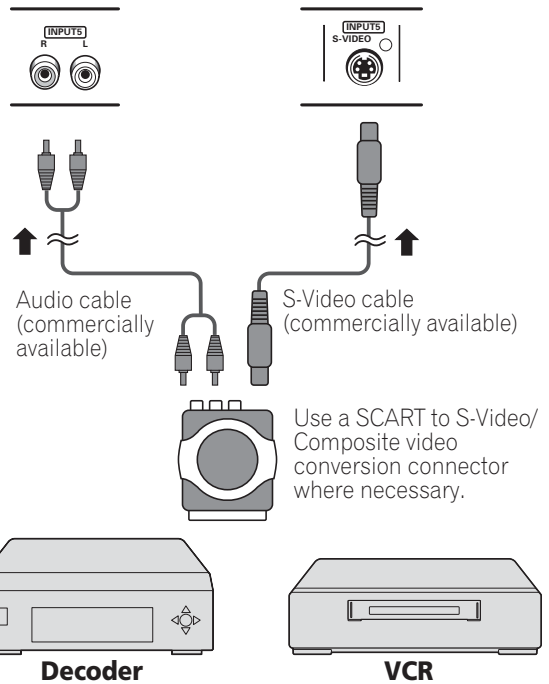
### Connecting a decoder or VCR

Use the INPUT5 or INPUT6 terminal when connecting a decoder and other audiovisual equipment.

#### Connections for Composite Connectors



#### Connections for S-Connectors



### Displaying a decoder or VCR image

Press **INPUT 5** or **INPUT 6 (INPUT)** to select INPUT5 or INPUT6.

**NOTE**

- Be sure to use INPUT5 or INPUT6 to connect a decoder or VCR.
- If decoder or VCR images do not come in clearly, you may need to change the input signal type setting using the menu. See page 31.
- Refer to your decoder or VCR operation manual for the signal type.

### Using HDMI Input

This Plasma Display is equipped with two HDMI terminals (INPUT2 and 3) which accept digital video and audio signals. To use the HDMI terminal, activate the terminal and specify the types of video and audio signals to be received from the connected equipment. For the types of these signals, see the operation manual that came with the connected equipment.

Before starting the menu, press **INPUT 2** or **INPUT 3 (INPUT)** to select INPUT2 or INPUT3.

#### Input signal correlation table

1920*1080p@24 Hz
1920*1080p@50 Hz
1920*1080p@59.24/60 Hz
1920*1080i@50 Hz
1920*1080i@59.94/60 Hz
1280*720p@50 Hz
1280*720p@59.94/60 Hz
720*576p@50 Hz
720(1440)*576i@50 Hz

**Input signal correlation table**

720\*480p@59.94/60 Hz

720(1440)\*480i@59.94/60 Hz

For audio, the Plasma Display supports the following:

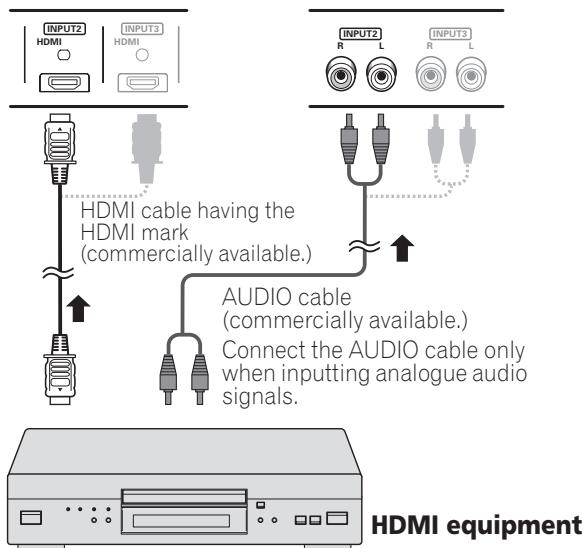
- Linear PCM (STEREO 2ch)
- Sampling frequency: 32 kHz, 44.1 kHz, 48 kHz

**NOTE**

- PC signals are out of correspondence.

**Connecting HDMI equipment**

When using the INPUT2 or INPUT3 HDMI terminal:

**To activate the HDMI terminal:**

When you use the INPUT2 or INPUT3 HDMI terminal, use the following procedure to activate the terminal.

- 1 Press **HOME MENU**.
- 2 Select "Setup" (▲/▼ then **ENTER (ENTER/DISP.)**).
- 3 Select "INPUT2" or "INPUT3" (▲/▼ then **ENTER (ENTER/DISP.)**).
- 4 Select "Video" or "Audio" (▲/▼).
- 5 Set the "Video" or "Audio" setting.
- 6 Press **HOME MENU, INPUT 1 to INPUT 6 (INPUT)** to exit the menu.

**To specify the type of digital video signals:**

- 1 Repeat steps 1 to 2 provided for "To activate the HDMI terminal".
- 2 Select "Video" (▲/▼).
- 3 Select the type of digital video signals (◀/▶).

- If you select "Auto", an attempt will be made to identify the type of digital video signals when digital video signals are received.

Item	Description
<b>Auto</b>	Automatically identifies input digital video signals.
<b>Color-1</b>	Digital Component Video signals (4:2:2) locked
<b>Color-2</b>	Digital Component Video signals (4:4:4) locked
<b>Color-3</b>	Digital RGB signals (16 to 235) locked
<b>Color-4</b>	Digital RGB signals (0 to 255) locked

- 4 Press **HOME MENU, INPUT 1 to INPUT 6 (INPUT)** to exit the menu.

**NOTE**

- If you select a parameter other than "Auto", make such a setting that results in natural color.
- If the images do not come in clearly, specify another digital video signal type.
- For the digital video signal types to be specified, check the operation manual that came with the connected equipment.

**To specify the type of audio signals:**

When you use the INPUT2 or INPUT3 HDMI terminal, use the following procedure to specify the type of audio signals.

- 1 Repeat steps 1 to 2 provided for "To activate the HDMI terminal".
- 2 Select "Audio" (▲/▼).
- 3 Select the type of audio signals (◀/▶).
  - If you select "Auto", an attempt will be made to identify the type of audio signals when audio signals are received.

Item	Description
<b>Auto</b>	Automatically identifies input audio signals.
<b>Digital</b>	Accepts digital audio signals.
<b>Analogue</b>	Accepts analogue audio signals.

- 4 Press **HOME MENU, INPUT 1 to INPUT 6 (INPUT)** to exit the menu.

**NOTE**

- If no sound is output, specify another audio signal type.
- For the audio signal types to be specified, check the operation manual that came with the connected equipment.
- Depending on the equipment to be connected, you also need to connect analogue audio cables.

## Using DVI Input

This Plasma Display is equipped with a DVI terminal (INPUT1) which accept digital video.

Before starting the menu, press **INPUT 1** on the remote control unit to select INPUT1.

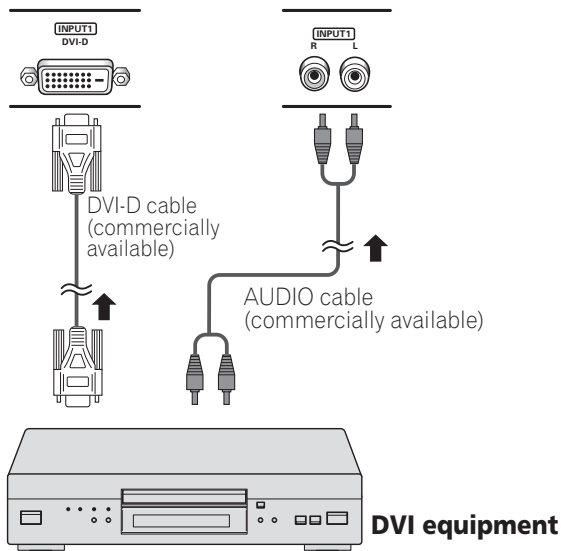
### Input signal correlation table

1920*1080i@50 Hz
720*576p@50 Hz
1280*720p@50 Hz
1920*1080i@59.94/60 Hz
720*480p@59.94/60 Hz
1280*720p@59.94/60 Hz

### NOTE

- See the section "Computer compatibility chart" (page 37) regarding supported computer signals.

## Connecting DVI equipment



### To activate the DVI terminal:

When you use the INPUT1 terminal, use the following procedure to activate the terminal.

- 1 Press **HOME MENU**.
- 2 Select "Setup" (↑/↓ then **ENTER (ENTER/DISP.)**).
- 3 Select "INPUT1" (↑/↓ then **ENTER (ENTER/DISP.)**).
- 4 Set the "AV" setting.
- 5 Press **HOME MENU, INPUT 1 to INPUT 6 (INPUT)** to exit the menu.

### NOTE

- See the section "Watching an image from a personal computer" (page 36) regarding connections to a computer.

### To specify the type of digital video signals:

- 1 Repeat steps 1 to 3 provided for "To activate the DVI terminal".
- 2 Select "Video" (↑/↓).
- 3 Select the type of digital video signals (←/→).

Item	Description
<b>RGB (16 - 235)</b>	Digital RGB signals (16 to 235) locked
<b>RGB (0 - 255)</b>	Digital RGB signals (0 to 255) locked

- 4 Press **HOME MENU, INPUT 1 to INPUT 6 (INPUT)** to exit the menu.

### NOTE

- This selection is disabled when "Signal Type" is set to "PC". For details on setting the signal type, see the section "To activate the DVI terminal".
- If the images do not come in clearly, specify another digital video signal type.
- For the digital video signal types to be specified, check the operation manual that came with the connected equipment.

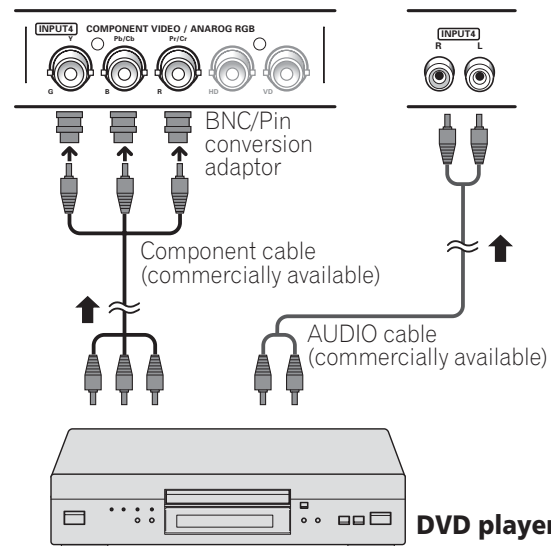
## Watching a DVD image

### Input signal correlation table

1920*1080p@24 Hz
1920*1080i@50 Hz
1920*1080i@59.94/60 Hz
1280*720p@50 Hz
1280*720p@59.94/60 Hz
720*576p@50 Hz
720*576i@50 Hz
720*480p@59.94/60 Hz
720*480i@59.94/60 Hz

## Connecting a DVD player

Use the INPUT4, 5 or 6 terminal when connecting to a DVD player and other audiovisual equipment.



### Displaying a DVD image

To watch a DVD image, press **INPUT 4, 5 or 6 (INPUT)** to select INPUT4, 5 or 6.

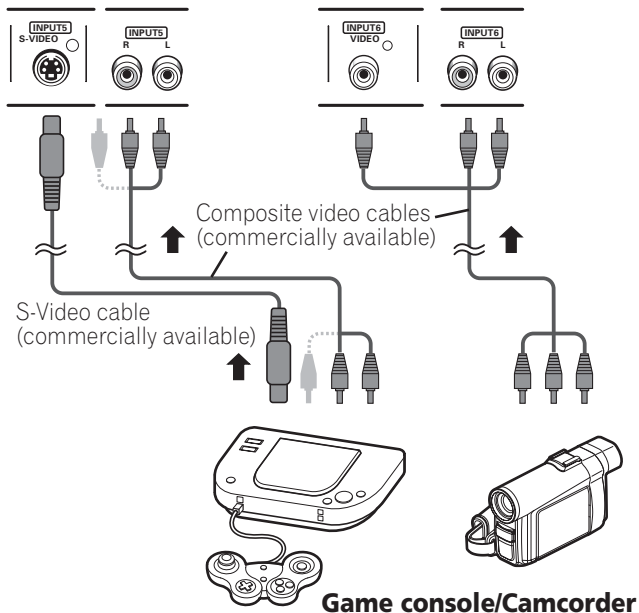
#### NOTE

- If DVD images do not come in clearly, you may need to change the input signal type setting using the menu. See page 31.
- Refer to your DVD player operation manual for the signal type.

### Enjoying a game console or watching camcorder images

#### Connecting a game console or camcorder

Use the INPUT5 or INPUT6 terminals to connect a game console, camcorder and other audiovisual equipment.



### Displaying an image from the game console or camcorder

To watch an image coming from the game console or camcorder, press **INPUT 5 or INPUT 6 (INPUT)** to select INPUT5 or INPUT6.

#### NOTE

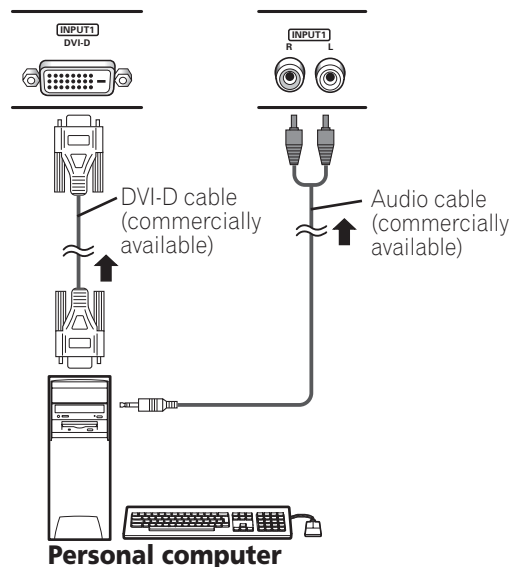
- Connect external equipment to only terminals that are to be actually used.

### Watching an image from a personal computer

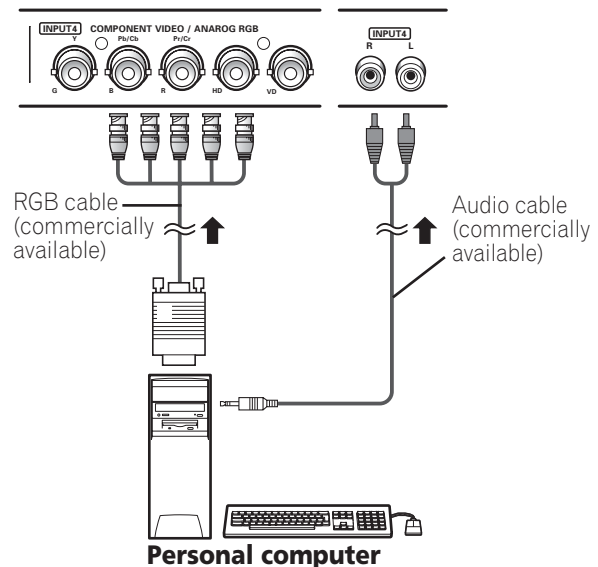
#### Connecting a personal computer

Use the INPUT1 or INPUT4 terminals to connect a personal computer.

**When using the INPUT1 terminal:**



**When using the INPUT4 terminal:**



### Displaying an image from a personal computer

To watch an image coming from the personal computer, press **INPUT 1 or INPUT 4 (INPUT)**.

When connecting to a personal computer, the correct input signal type is automatically detected. If the computer image is not clear, it may be necessary to use the remote control unit's Auto setup function.

## Computer compatibility chart

Resolution	Frequency	Remarks
720 x 400	70 Hz	
640 x 480	60 Hz	
	72 Hz	
	75 Hz	
800 x 600	60 Hz	
	72 Hz	
	75 Hz	
1024 x 768	60 Hz	
	70 Hz	
	75 Hz	
1280 x 720	60 Hz	
1280 x 768	60 Hz	
1280 x 1024	60 Hz	

**NOTE**

- INPUT1 (DVI) also supports 1280 x 1024 @75 Hz, and 1920 x 1080 @60 Hz signals.

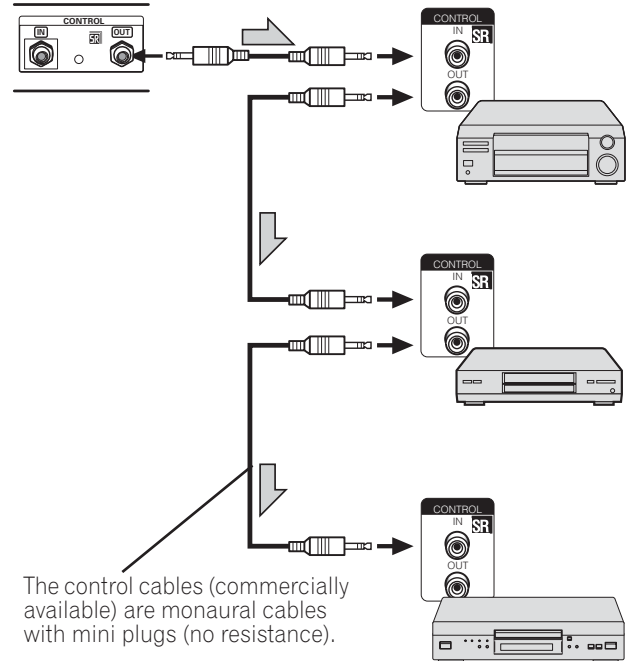
## Connecting control cords

Connect control cords between the Plasma Display and other PIONEER equipment having the SR logo. You can then operate the connected equipment by sending commands from its remote control unit to the remote control sensor on the Plasma Display.

After the CONTROL IN terminals have been connected, the remote control sensors on the connected equipment do not accept commands from the remote control units. Face the remote control units to the remote control sensor on the Plasma Display when operating the connected equipment.

**NOTE**

- Make sure that the power is turned off when making connections.
- Complete all component connections before making control cord connections.



## About SR+

The CONTROL OUT terminal on the rear of the Plasma Display supports **SR+** that allows linked operations with a PIONEER AV receiver. **SR+** presents functions such as the input switch linkage operation function and the DSP surround mode display function. For more information, see the instruction manual that came with the PIONEER AV receiver supporting **SR+**.

- 1 Press **HOME MENU**.
- 2 Select "Setup" (↑/↓ then **ENTER (ENTER/DISP.)**).
- 3 Select "SR+" (↑/↓).
- 4 Select "On" (←/→).

Item	Description
Off	SR+ is disabled.
On	Linked operation can be performed with unit connected to SR+ connectors.

- 5 Press **HOME MENU, INPUT 1 to INPUT 6 (INPUT)** exit the menu.

**NOTE**

- While in connection through **SR+**, the volume on this Plasma Display is temporarily minimised.

## Troubleshooting

Problem	Possible Solution
<ul style="list-style-type: none"> <li>No power.</li> <li>The Plasma Display cannot be switched on.</li> </ul>	<ul style="list-style-type: none"> <li>Is the power cord disconnected? (See page 18.)</li> <li>Has the main power been turned on? (See page 21.)</li> </ul>
<ul style="list-style-type: none"> <li>The Plasma Display cannot be operated.</li> </ul>	<ul style="list-style-type: none"> <li>External influences such as lightning, static electricity, etc., may cause improper operation.</li> <li>In this case, operate the Plasma Display after first turning off the power of the Plasma Display, or unplugging the power cord and re-plugging it in after 1 or 2 minutes.</li> </ul>
<ul style="list-style-type: none"> <li>Remote control unit does not operate.</li> </ul>	<ul style="list-style-type: none"> <li>Are batteries inserted with polarity (+, -) aligned? (See page 20.)</li> <li>Are batteries worn out? Replace with new batteries. (See page 20.)</li> <li>Operate the remote control unit while pointing it toward the remote control sensor on the Plasma Display. (See page 20.)</li> <li>Are you using it under strong or fluorescent lighting?</li> <li>Is a fluorescent light illuminated to remote control sensor?</li> </ul>
<ul style="list-style-type: none"> <li>No image and audio is presented.</li> </ul>	<ul style="list-style-type: none"> <li>Check the cable connection with the other equipment. (See page 33 to 37.)</li> </ul>
<ul style="list-style-type: none"> <li>No picture.</li> </ul>	<ul style="list-style-type: none"> <li>Is connection to other components correct? (See page 33 to 37.)</li> <li>Is a non-compatible PC signal being input? (See page 37.)</li> <li>Is the Input Select setting correct? (See page 31.)</li> </ul>
<ul style="list-style-type: none"> <li>Images are presented but no audio is output.</li> </ul>	<ul style="list-style-type: none"> <li>Check if you have selected the minimum volume. (See page 21.)</li> <li>Check if you have muted sound. (See page 21.)</li> <li>When using either INPUT1, INPUT4, INPUT5, or INPUT6 as the input source, confirm that the audio connectors have also been connected. (See page 33 to 36.)</li> </ul>
<ul style="list-style-type: none"> <li>Sound is reversed between the right and left.</li> <li>Sound is output from only a single speaker.</li> </ul>	<ul style="list-style-type: none"> <li>Check if the speaker cable connections have been reversed between the right and left or if the speaker cable from either speaker has been disconnected. (See page 15.)</li> <li>Has the balance been correctly adjusted? (See page 28.)</li> </ul>
<ul style="list-style-type: none"> <li>Picture is cut off.</li> </ul>	<ul style="list-style-type: none"> <li>Is the image position correct? (See page 30.)</li> <li>Has the correct screen size been selected? (See pages 23 and 32.)</li> </ul>
<ul style="list-style-type: none"> <li>Strange color, light color, dark or color misalignment.</li> </ul>	<ul style="list-style-type: none"> <li>Adjust the picture tone. (See pages 25 to 27.)</li> <li>Is the room too bright? The picture may look dark in a room that is too bright.</li> <li>Check the color system setting. (See page 31.)</li> </ul>
<ul style="list-style-type: none"> <li>After-image lag</li> </ul>	<ul style="list-style-type: none"> <li>After displaying a still image or very bright image for a certain period of time, if the screen is then switched to a darker scene, the previous image may appear as an after-image.</li> <li>This can be rectified by playing a rather bright moving image for several minutes. However, displaying a still image for excessively long periods of time may cause permanent display deterioration.</li> </ul>
<ul style="list-style-type: none"> <li>Different brightness or colors on the right/left, top/bottom or center of screen.</li> </ul>	<ul style="list-style-type: none"> <li>Displaying a letterbox-type image with black bands at top/bottom or right/left for extended periods of time, or regularly on a daily basis, may cause burning of the fluorescent materials in the plasma display, producing an after-image lag.</li> <li>For this reason it is strongly recommended to select a screen size that does not produce such black bands.</li> </ul>
<ul style="list-style-type: none"> <li>Power is suddenly turned off.</li> </ul>	<ul style="list-style-type: none"> <li>The Plasma Display's internal temperature has increased. Remove any objects blocking vent or clean. (See page 16.)</li> <li>Check the power control setting. (See page 29.)</li> </ul>
<ul style="list-style-type: none"> <li>Panel sounds /noises</li> </ul>	<ul style="list-style-type: none"> <li>Panel generated sounds, examples: Fan motor noise, Electrical Circuit Humming/Glass Panel buzzing are normal operation of a phosphor-based matrix display.</li> </ul>

If the following error codes appear on the screen, check the corresponding items in the table.

Code	Message	Check
SD04	Powering off. Internal temperature too high. Check temperature around PDP.	Check if the ambient temperature of the Plasma Display is high.
SD05	Powering off. Internal protection circuits activated, Is there a short in speaker cable?	Check the speaker cable connections between the Plasma Display and the speakers.

## Specifications

Number of Pixels	1920 x 1080 pixels
Audio Amplifier	13 W + 13 W (1 kHz, 10 %, 8 Ω)
Surround System	SRS/FOCUS/TruBass
Power Requirement	110 V to 240 V AC, 50 Hz/60 Hz, 420 W (0.4 W Standby)
Dimensions	1282 mm (W) x 750.5 mm (H) x 98 mm (D)
Weight	39.8 kg

Color System	PAL/SECAM/NTSC 3.58/NTSC 4.43/PAL 60	
Terminals	INPUT1	DVI (DVI-D)
	INPUT2	HDMI <sup>*1</sup>
	INPUT3	HDMI <sup>*1</sup>
	INPUT4	BNC (COMPONENT VIDEO or ANALOG RGB)
	INPUT5	S-VIDEO
	INPUT6	VIDEO

<sup>\*1</sup> This conforms to HDMI1.1 and HDCP1.1.

HDMI (High Definition Multimedia Interface) is a digital interface that handles both video and audio using a single cable. HDCP (High-bandwidth Digital Content Protection) is a technology used to protect copyrighted digital contents that use the Digital Visual Interface (DVI).

- Design and specifications are subject to change without notice.

### Trademarks

- FOCUS, WOW, SRS and (●)® symbol are trademarks of SRS Labs, Inc.
- FOCUS and SRS technologies are incorporated under license from SRS Labs, Inc.
- This product includes FontAvenue® fonts licensed by NEC Corporation. FontAvenue is a registered trademark of NEC Corporation.
- HDMI, the HDMI logo and High-Definition Multimedia Interface are trademarks or registered trademarks of HDMI Licensing LLC.
- The names of companies or institutions are trademarks or registered trademarks of the respective companies or institutions.

Published by Pioneer Corporation.  
Copyright © 2006 Pioneer Corporation.  
All rights reserved.

## Free Manuals Download Website

<http://myh66.com>

<http://usermanuals.us>

<http://www.somanuals.com>

<http://www.4manuals.cc>

<http://www.manual-lib.com>

<http://www.404manual.com>

<http://www.luxmanual.com>

<http://aubethermostatmanual.com>

Golf course search by state

<http://golfingnear.com>

Email search by domain

<http://emailbydomain.com>

Auto manuals search

<http://auto.somanuals.com>

TV manuals search

<http://tv.somanuals.com>