

Pioneer

DIGITAL HOME TERMINAL

BD-V1000 Series

Operating Instructions

CONTENTS

ABOUT THIS MANUAL	4	CONNECTIONS	6
BD-V1000 DIAGRAM	4	CABLE TV RECEPTION	7
FEATURE IDENTIFICATION	5	TROUBLESHOOTING	Back Cover
		TRADEMARKS AND COPYRIGHTS	Back Cover

WARNING

TO REDUCE THE RISK OF FIRE OR ELECTRIC SHOCK, DO NOT EXPOSE THIS APPLIANCE TO RAIN OR MOISTURE.

IMPORTANT



The lightning flash with arrowhead, within an equilateral triangle, is intended to alert the user to the presence of uninsulated "dangerous voltage" within the product's enclosure that may be of sufficient magnitude to constitute a risk of electric shock to persons.

CAUTION

**RISK OF ELECTRIC SHOCK
DO NOT OPEN**



CAUTION:
TO PREVENT THE RISK OF ELECTRIC SHOCK, DO NOT REMOVE COVER (OR BACK). NO USER-SERVICEABLE PARTS INSIDE. REFER SERVICING TO QUALIFIED SERVICE PERSONNEL.

The exclamation point within an equilateral triangle is intended to alert the user to the presence of important operating and maintenance (servicing) instructions in the literature accompanying the appliance.

Trade Name: PIONEER

Model Number: BD-V1000 Series

FEDERAL COMMUNICATIONS COMMISSION DECLARATION OF CONFORMITY

THIS DEVICE COMPLIES WITH PART 15 OF THE FCC RULES. OPERATION IS SUBJECT TO THE FOLLOWING TWO CONDITIONS: (1) THIS DEVICE MAY NOT CAUSE HARMFUL INTERFERENCE, AND (2) THIS DEVICE MUST ACCEPT ANY INTERFERENCE RECEIVED, INCLUDING INTERFERENCE THAT MAY CAUSE UNDESIRE OPERATION.

Responsible Party: PIONEER ELECTRONICS SERVICE, INC.

Address: P.O. Box 1760. Long Beach, CA 90801-1760

Phone: 1-800-872-4149

Webpage address: www.PioneerUSA.com

Information to User

Alteration or modifications carried out without appropriate authorization may invalidate the user's right to operate the equipment.

IMPORTANT SAFEGUARDS

READ INSTRUCTIONS – All the safety and operating instructions should be read before the appliance is operated.

RETAIN INSTRUCTIONS – The safety and operating instructions should be retained for future reference.

HEED WARNINGS – All warnings on the appliance and in the operating instructions should be adhered to.

FOLLOW INSTRUCTIONS – All operating and usage instructions should be followed.

CLEANING – Do not use liquid cleaners or aerosol cleaners. Use a polishing cloth or soft dry cloth.

ATTACHMENTS – Do not use attachments not recommended by appliance manufacturer as they may cause hazards.

WATER AND MOISTURE – Do not use this appliance near water – for example, near a bathtub, wash bowl, kitchen sink, or laundry tub, in a wet basement, or near a swimming pool, etc.

ACCESSORIES – Do not place this appliance on an unstable cart, stand, tripod, bracket, or table. The appliance may fall, causing serious injury to a child or adult, and serious damage to the appliance. Use only with a cart, stand, tripod, bracket, or table recommended by the manufacturer, or sold with the appliance. Any mounting of the appliance should follow the manufacturer's instructions, and should use a mounting accessory recommended by the manufacturer.

CART – An appliance and cart combination should be moved with care. Quick stops, excessive force, and uneven surfaces may cause the appliance and cart combination to overturn.



VENTILATION – Slots and openings in the cabinet are provided for ventilation to ensure reliable operation of the appliance and to protect it from overheating. These openings must not be blocked or covered. They should never be blocked by placing the appliance on a bed, sofa, rug, or other similar surface. This appliance should never be placed near or over a radiator or heat register. This appliance should not be placed in a built-in installation such as a bookcase or rack unless proper ventilation is provided or the manufacturer's instructions have been adhered to.

POWER SOURCES – The appliance should be operated only on the voltage indicated on the product label. If you are not sure of the type of power supply to your home, consult your appliance dealer or local power company.

POLARIZATION – This unit's power cord has a polarized plug (one blade is wider than the other). This plug will fit into the power outlet only one way. This is a safety feature. If you are unable to insert the plug fully into the outlet, try reversing the plug. If the plug should still fail to fit, contact your electrician to replace your obsolete outlet. Do not defeat the safety purpose of the polarized plug.

POWER-CORD PROTECTION – Power-supply cords should be routed so that they are not likely to be walked on or pinched by items placed upon or against them. Pay particular attention to cords at plugs, convenience receptacles, and the point where they exit from the appliance.

OUTDOOR ANTENNA GROUNDING – If an outside antenna or cable system is connected to the video product, be sure the antenna or cable system is grounded so as to provide some protection against voltage surges and built-up static charges. Section 810 of the National Electrical Code, ANSI/NFPA 70, provides information with respect to proper grounding of the mast and supporting structure, grounding of the lead-in wire to an antenna discharge unit, size of grounding conductors, location of antenna-discharge unit, connection to grounding electrodes, and requirements for the grounding electrode. See Figure A.

LIGHTNING – For added protection for the unit during a lightning storm, unplug it from the wall outlet and disconnect the cable system input. This will prevent damage due to lightning and power-line surges.

OVERLOADING – Do not overload wall outlets and extension cords as this can result in a risk of fire or electric shock.

OBJECT AND LIQUID ENTRY – Never push objects of any kind into this appliance through openings as they may touch dangerous voltage points or short-out parts that could result in a fire or electric shock. Never spill liquid of any kind on the appliance.

SERVICING – Do not attempt to service this appliance yourself as opening or removing covers may expose you to dangerous voltage or other hazards. Refer all servicing to your cable company.

REPLACEMENT PARTS – When replacement parts are required, be sure the service technician has used replacement parts specified by the manufacturer or have the same characteristics as the original part. Unauthorized substitutions may result in fire, electric shock or other hazards.

SAFETY CHECK – Upon completion of any service or repairs to this appliance, ask the service technician to perform safety checks to determine that the appliance is in proper operating condition.

DAMAGE REQUIRING SERVICE – Unplug this appliance from the wall outlet and call your cable company under the following conditions:

- + When the power-supply cord or plug is damaged.
- + If liquid has been spilled, or objects have fallen into the appliance.
- + If the appliance has been exposed to rain or water.
- + If the appliance does not operate normally by following the operating instructions. Adjust only those controls that are covered by the operating instructions. Improper adjustment of other controls may result in damage and will often require extensive work by a qualified technician to restore the appliance to its normal operation.
- + If the appliance has been dropped or the cabinet has been damaged.
- + When the appliance exhibits a distinct change in performance – this indicates a need for service.

NEC – NATIONAL ELECTRICAL CODE

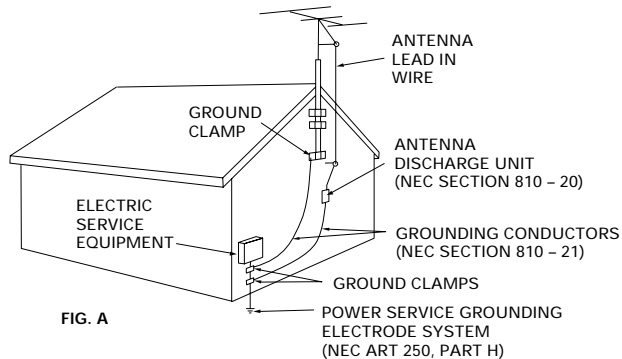


FIG. A

NOTE TO CATV SYSTEM INSTALLER:

This reminder is to call the CATV system installer's attention to Article 820-40 of the NEC that provides guidelines for proper grounding and, in particular, specifications that the cable grounding shall be connected to the grounding system of the building, as close to the point of cable entry as practical.

ABOUT THIS MANUAL

INTRODUCTION

Cable TV brings a wide array of home entertainment to the cable viewer. To enjoy that programming, your television must first be set up to receive the cable signal.

FOCUS OF THIS MANUAL

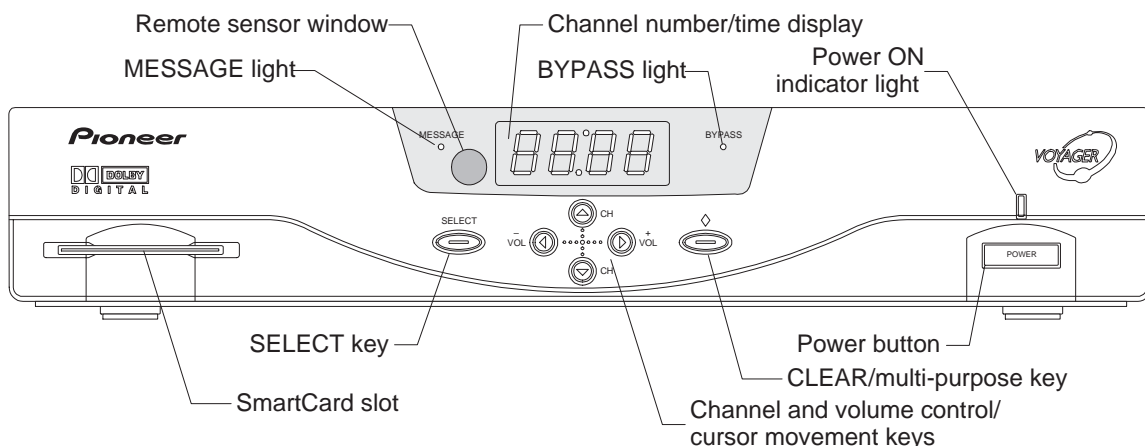
Much of how your BD-V1000 Voyager Home Terminal operates is determined by your cable TV service provider. Those operating instructions may be found in a separate manual. The purpose of this guide is to assist you with connecting the Voyager Home Terminal to a TV and/or VCR and learning about its front- and rear-panel items.

BD-V1000 DIAGRAM

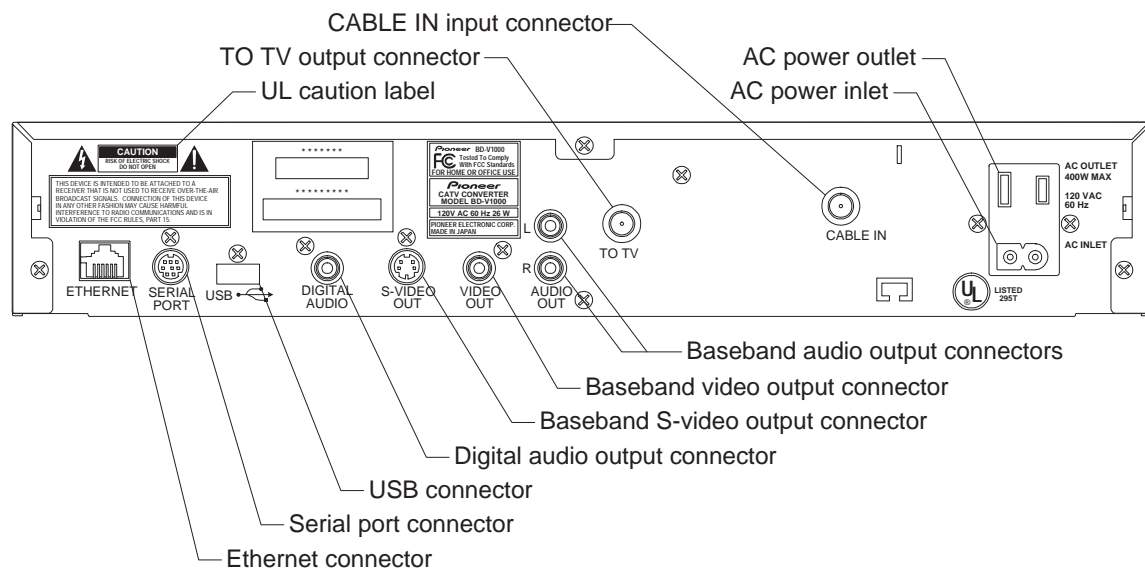
CAUTION:

Tampering with the Home Terminal or trying to force open the cover causes the Home Terminal to stop functioning automatically.

FRONT PANEL



REAR PANEL



FEATURE IDENTIFICATION

FRONT PANEL

BYPASS LIGHT

Lights when the optional RF Bypass Adapter module is switched to bypass mode. When in bypass mode, the Adapter sends cable signals directly to the TV.

CHANNEL AND VOLUME CONTROL/

CURSOR MOVEMENT KEYS

These keys have different functions, depending on what is displayed on the TV screen. During normal TV viewing, the ▲/▼ (up/down) arrows change the channel by stepping up or down one channel at a time. The ◀/▶ (left/right) arrows adjust the sound level up or down.

When a menu is displayed, these same keys move the cursor up or down, left or right.

CHANNEL NUMBER/TIME DISPLAY

Shows channel number or current time. Also shows "rEC" when recording is taking place.

CLEAR/MULTI-PURPOSE KEY

When a menu is displayed, returns you to normal TV viewing. May also have special functions as described in the on-screen display.

MESSAGE LIGHT

Blinks when the BD-V1000 receives a message for you from the cable company, or an E-mail message from another person.

POWER BUTTON

Turns on the BD-V1000 and lights the Power-On indicator Light when pressed, or turns all off when pressed again. May also control the AC Power Outlet, depending on the BD-V1000's settings. (Refer to the separate operating instruction manual.)

POWER ON INDICATOR LIGHT

Lights to show the BD-V1000 is turned on.

REMOTE SENSOR WINDOW

Receives signals from the remote control.

IMPORTANT:

Do not block this window.

SELECT KEY

Selects the desired action highlighted on the screen.

SMARTCARD SLOT

Accepts a special card provided by your cable company. This card is not always needed for BD-V1000 operation, unless required by the cable company.

REAR PANEL

AC POWER INLET

Connects to an unswitched 120-volt AC outlet, using the detachable power cord (included).

AC POWER OUTLET

Provides AC power to the connected TV.

CAUTION:

Connect only the TV AC power cord to this outlet.

This outlet allows 400 watts maximum power consumption. To prevent the risk of fire or damage to the Home Terminal, do not connect any kind of equipment of more than 400 watts power use, or any other equipment (toaster, hair dryer, etc.).

BASEBAND AUDIO OUTPUT CONNECTORS

Connects to the stereo (L and R) audio inputs of a VCR, audio amplifier, or TV. Requires audio cables with male phono (RCA) plugs (not included).

BASEBAND S-VIDEO OUTPUT CONNECTOR

Connects to the S-video input of a TV or VCR. Requires special S-video cable (not included). If your TV or VCR doesn't have a similar S-video jack, use the standard baseband video connection instead.

BASEBAND VIDEO OUTPUT CONNECTOR

Connects to the standard baseband video input of a VCR or TV. Requires video cables with male phono (RCA) plugs (not included).

CABLE IN INPUT CONNECTOR

Connects to the incoming cable service. Requires 75-ohm coaxial cable with male "F"-type connectors (not included).

DIGITAL AUDIO OUTPUT CONNECTOR

Connects to the digital audio input on your stereo amplifier, receiver or digital audio decoder.

ETHERNET CONNECTOR

Connects to a 10Base-T LAN service, if available. Requires Category 5 Ethernet cable with RJ45 plugs (not included).

SERIAL PORT CONNECTOR

Connects to the optional VCR Commander. The VCR Commander controls recording of programs on your VCR through the BD-V1000 program guide.

TO TV OUTPUT CONNECTOR

Connects to the TV's VHF antenna input. Requires 75-ohm coaxial cable with male "F"-type connectors.

USB CONNECTOR

Connects to USB (Universal Serial Bus)-equipped options such as a wireless keyboard infrared receiver.

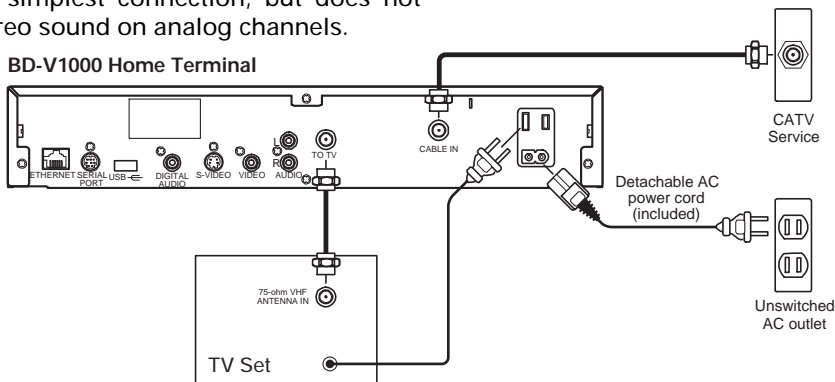
CONNECTIONS

BD-V1000 CONNECTIONS

These are some suggested basic hook-up diagrams for the BD-V1000, both with and without a VCR.

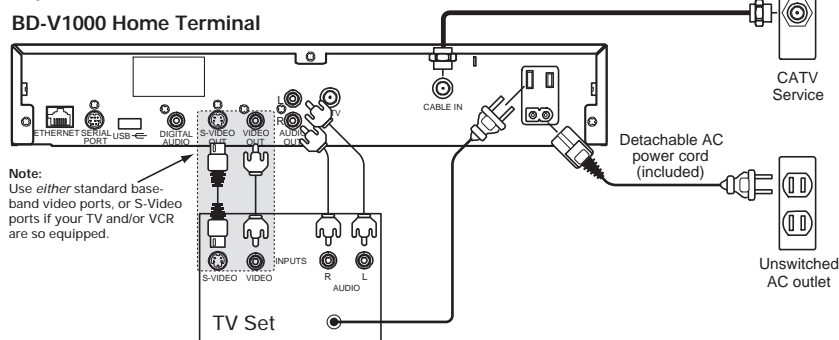
Simple Connection.

This is the simplest connection, but does not provide stereo sound on analog channels.



Stereo Connection.

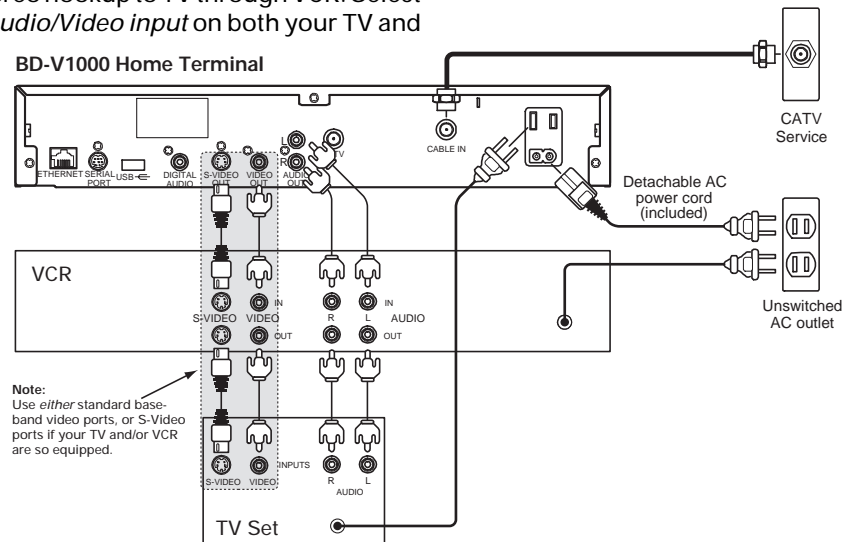
Provides stereo sound on all channels carrying stereo signals. Tune your TV to watch the *A/V or Audio/Video input*.



Note:
Use either standard base-band video ports, or S-Video ports if your TV and/or VCR are so equipped.

VCR Connection.

Provides stereo hookup to TV through VCR. Select the *A/V or Audio/Video input* on both your TV and VCR.



Note:
Use either standard base-band video ports, or S-Video ports if your TV and/or VCR are so equipped.

CABLE TV RECEPTION

CONNECTION PROCEDURES

Connect your equipment as shown in the figures on page 6. Use the first table if you are only connecting the BD-V1000 to a TV.

STEP	ACTION
1	Connect cable service to BD-V1000 CABLE IN (input connector).
2	<ul style="list-style-type: none"> ● <i>If TV has video and stereo audio inputs:</i> Follow the Stereo Connection diagram on page 6. Connect BD-V1000 L/R AUDIO OUT and VIDEO OUT to the corresponding IN jacks on the TV, using shielded RCA (phono) jumper cables. If TV VIDEO IN is a 4-pin S-Video jack, connect BD-V1000 S-VIDEO OUT to TV S-VIDEO IN using a special S-Video jumper cable. Leave BD-V1000 VIDEO OUT unconnected. ● <i>If TV has no video/audio inputs:</i> Follow the Simple Connection diagram on page 6. Connect BD-V1000 TO TV (output) connector to the TV VHF ANTENNA INPUT. If TV VHF ANTENNA INPUT is a 300-ohm twin-lead (with two screws), then use a 75 ohm - 300 ohm adapter.
3	Plug TV AC cord into BD-V1000 AC outlet.
4	Plug BD-V1000 AC cord into an AC outlet that is not controlled by a switch.

If you have a VCR, follow the procedure below to connect it between the BD-V1000 and the TV:

STEP	ACTION
1	Follow the VCR Connection diagram on page 6. Connect cable service to BD-V1000 CABLE IN (input connector).
2	Connect BD-V1000 outputs to VCR inputs using the same criteria and procedures as in step 2 of the table above for TV connection.
3	Connect the VCR outputs to the TV inputs, again using the same criteria and procedures.
4	Connect TV AC cord to BD-V1000 AC outlet.
5	Connect VCR and BD-V1000 AC cords to AC outlets that are not controlled by a switch.

NOTE:

When disconnecting the BD-V1000, follow these steps in reverse order. Be sure to unplug the BD-V1000's power cord first.

SETTING UP THE TV

Follow the steps in the table to set up your TV for cable.

STEP	ACTION
1	<ul style="list-style-type: none"> ● <i>If you used the Simple Connection method:</i> Tune TV to channel 3 or 4. Other documentation that came with your BD-V1000 may explain how to switch the BD-V1000 output channel between 3 and 4. ● <i>If you used the Stereo or VCR Connection method:</i> Select the A/V (Audio/Video) input setting on your TV.
2	<p>Use your remote control's TV POWER button to turn the TV on and off.</p> <p><i>Exception:</i> TV sets without remote control can be turned on through the BD-V1000. Leave the TV power switch on. Use the on-screen menu to change the BD-V1000's outlet from UNSWITCHED to SWITCHED. Use the BD-V1000 front panel or remote control POWER button to turn the TV on and off.</p>

TURNING OFF THE BD-V1000

To turn off the BD-V1000 home terminal, press the CBL POWER button on the remote control, or the POWER button on the BD-V1000.

You can use your remote's TV POWER button to turn TV on/off if you have set up the remote with the correct TV code.

VCR RECORDING

The BD-V1000 has an optional VCR Commander that lets you automatically record programs. Please refer to the separate VCR Commander manual for installation instructions.

TROUBLESHOOTING

NO TV PICTURE?

Use the checklist in the table if you followed all the instructions but still do not see a picture on your television.

STEP	ACTION	CHECK
1	Is cable service connected to BD-V1000 CABLE IN connector?	
2	Is a cable connected between BD-V1000 TO TV connector and TV input connector; or between BD-V1000 VIDEO and L/R AUDIO output connectors and TV VIDEO and L/R AUDIO input connectors?	
3	Is the BD-V1000 AC cord plugged in to an unswitched AC outlet?	
4	Are both BD-V1000 and TV turned on?	
5	Is your TV tuned to the correct channel (3 or 4), or set to display the A/V (audio/video) input? If no picture on one channel, try the other.	
6	Has there been a recent lightning storm? If so, reset your BD-V1000. (See the "Lightning Protection Circuit" section.)	

LIGHTNING PROTECTION CIRCUIT

The BD-V1000 features a lightning protection circuit. During a lightning storm, this circuit may activate to protect the rest of the circuit from damage. If this occurs, the terminal will appear to not work at all. To restore operation, simply unplug the unit's AC power cord for at least one minute, and plug it in again.

TRADEMARKS AND COPYRIGHTS

DOLBY DIGITAL

Manufactured under license from Dolby Laboratories. "Dolby", "AC-3" and the double-D symbol are trademarks of Dolby Laboratories. Confidential and Unpublished Works, ©1992 — 1997 Dolby Laboratories, Inc. All rights reserved.

PowerKEY

PowerKEY is a registered trademark, and the PowerKEY design is a trademark, of Scientific-Atlanta, Inc.

Published by Pioneer Electronic Corporation.
Copyright © 1998 Pioneer Electronic Corporation.
All rights reserved.

PIONEER ELECTRONIC CORPORATION

Industrial and Business Products Merchandising Division: 4-1, Meguro 1-Chome, Meguro-ku, Tokyo 153-8654, Japan
PIONEER DIGITAL TECHNOLOGIES, INC.

Broadband Applications Division: 2210 West Olive Avenue, 2nd Floor, Burbank, CA 91506, U.S.A. TEL: 818-295-6650
PIONEER NEW MEDIA TECHNOLOGIES, INC.

Cable and Broadcast Systems Division: 2265 East 220th Street, Long Beach, CA 90810, U.S.A. TEL: 310-952-2111
PIONEER ELECTRONICS OF CANADA, INC.

Industrial Products Department: 300 Allstate Parkway, Markham, Ontario L3R 0P2, Canada TEL: 905-479-4411

PIONEER ELECTRONICS AUSTRALIA PTY. LTD. 178-184 Boundary Road, Braeside, Victoria 3195, Australia TEL: +61-3-9586-6300

PIONEER ELECTRONICS ASIACENTRE PTE. LTD. 501 Orchard Road, #10-00, Lane Crawford Place, Singapore 0923

TEL: +65-735-9011 FAX: +65-735-9022

Printed in Japan <BRB1050-D>

Free Manuals Download Website

<http://myh66.com>

<http://usermanuals.us>

<http://www.somanuals.com>

<http://www.4manuals.cc>

<http://www.manual-lib.com>

<http://www.404manual.com>

<http://www.luxmanual.com>

<http://aubethermostatmanual.com>

Golf course search by state

<http://golfingnear.com>

Email search by domain

<http://emailbydomain.com>

Auto manuals search

<http://auto.somanuals.com>

TV manuals search

<http://tv.somanuals.com>