

**Pioneer**

**DJ MIXER**

**TABLE DE MIXAGE**

**DJM-2000**

**<http://www.prodjnet.com/support/>**

The Pioneer website listed above provides answers to frequently asked questions, information about software, and other up-to-date data of assistance to our customers.

Le site Web de Pioneer ci-dessus fournit des réponses aux questions souvent posées, des informations au sujet des logiciels et d'autres données mises à jour afin de venir en aide à notre clientèle.

**Operating Instructions**  
**Mode d'emploi**

Thank you for buying this Pioneer product. Please read through these operating instructions so you will know how to operate your model properly. After you have finished reading the instructions, put them away in a safe place for future reference. In some countries or regions, the shape of the power plug and power outlet may sometimes differ from that shown in the explanatory drawings. However the method of connecting and operating the unit is the same.

## IMPORTANT



The lightning flash with arrowhead symbol, within an equilateral triangle, is intended to alert the user to the presence of uninsulated "dangerous voltage" within the product's enclosure that may be of sufficient magnitude to constitute a risk of electric shock to persons.

## CAUTION

**RISK OF ELECTRIC SHOCK  
DO NOT OPEN**

**CAUTION:**  
TO PREVENT THE RISK OF ELECTRIC SHOCK, DO NOT REMOVE COVER (OR BACK). NO USER-SERVICEABLE PARTS INSIDE. REFER SERVICING TO QUALIFIED SERVICE PERSONNEL.



The exclamation point within an equilateral triangle is intended to alert the user to the presence of important operating and maintenance (servicing) instructions in the literature accompanying the appliance.

D3-4-2-1-1\_A1\_En

# IMPORTANT SAFETY INSTRUCTIONS

- 1) Read these instructions.
- 2) Keep these instructions.
- 3) Heed all warnings.
- 4) Follow all instructions.
- 5) Do not use this apparatus near water.
- 6) Clean only with dry cloth.
- 7) Do not block any ventilation openings. Install in accordance with the manufacturer's instructions.
- 8) Do not install near any heat sources such as radiators, heat registers, stoves, or other apparatus (including amplifiers) that produce heat.
- 9) Do not defeat the safety purpose of the polarized or grounding-type plug. A polarized plug has two blades with one wider than the other. A grounding type plug has two blades and a third grounding prong. The wide blade or the third prong are provided for your safety. If the provided plug does not fit into your outlet, consult an electrician for replacement of the obsolete outlet.
- 10) Protect the power cord from being walked on or pinched particularly at plugs, convenience receptacles, and the point where they exit from the apparatus.
- 11) Only use attachments/accessories specified by the manufacturer.
- 12) Use only with the cart, stand, tripod, bracket, or table specified by the manufacturer, or sold with the apparatus. When a cart is used, use caution when moving the cart/apparatus combination to avoid injury from tip-over.
- 13) Unplug this apparatus during lightning storms or when unused for long periods of time.
- 14) Refer all servicing to qualified service personnel. Servicing is required when the apparatus has been damaged in any way, such as power-supply cord or plug is damaged, liquid has been spilled or objects have fallen into the apparatus, the apparatus has been exposed to rain or moisture, does not operate normally, or has been dropped.



P1-4-2-2\_En

### NOTE:

This equipment has been tested and found to comply with the limits for a Class B digital device, pursuant to Part 15 of the FCC Rules. These limits are designed to provide reasonable protection against harmful interference in a residential installation. This equipment generates, uses, and can radiate radio frequency energy and, if not installed and used in accordance with the instructions, may cause harmful interference to radio communications. However, there is no guarantee that interference will not occur in a particular installation. If this equipment does cause harmful interference to radio or television reception, which can be determined by turning the equipment off and on, the user is encouraged to try to correct the interference by one or more of the following measures:

- Reorient or relocate the receiving antenna.
- Increase the separation between the equipment and receiver.
- Connect the equipment into an outlet on a circuit different from that to which the receiver is connected.
- Consult the dealer or an experienced radio/TV technician for help.

D8-10-1-2\_A1\_En

### FEDERAL COMMUNICATIONS COMMISSION DECLARATION OF CONFORMITY

This device complies with part 15 of the FCC Rules. Operation is subject to the following two conditions: (1) This device may not cause harmful interference, and (2) this device must accept any interference received, including interference that may cause undesired operation.

Product Name: DJ MIXER  
Model Number: DJM-2000  
Responsible Party Name: PIONEER ELECTRONICS (USA) INC.  
SERVICE SUPPORT DIVISION  
Address: 1925 E. DOMINGUEZ ST. LONG BEACH, CA 90810-1003, U.S.A.  
Phone: 1-800-421-1404  
URL: <http://www.pioneerelectronics.com>

D8-10-4\*\_C1\_En

## WARNING

This equipment is not waterproof. To prevent a fire or shock hazard, do not place any container filled with liquid near this equipment (such as a vase or flower pot) or expose it to dripping, splashing, rain or moisture.

D3-4-2-1-3\_A1\_En

## WARNING

*Before plugging in for the first time, read the following section carefully.*

**The voltage of the available power supply differs according to country or region. Be sure that the power supply voltage of the area where this unit will be used meets the required voltage (e.g., 230 V or 120 V) written on the side panel.**

D3-4-2-1-4\*\_A1\_En

## WARNING

This product equipped with a three-wire grounding (earthed) plug - a plug that has a third (grounding) pin. This plug only fits a grounding-type power outlet. If you are unable to insert the plug into an outlet, contact a licensed electrician to replace the outlet with a properly grounded one. Do not defeat the safety purpose of the grounding plug.

D3-4-2-1-6\_A1\_En

## WARNING

To prevent a fire hazard, do not place any naked flame sources (such as a lighted candle) on the equipment.

D3-4-2-1-7a\_A1\_En

## VENTILATION CAUTION

When installing this unit, make sure to leave space around the unit for ventilation to improve heat radiation (at least 5 cm at rear, and 3 cm at each side).

## WARNING

Slots and openings in the cabinet are provided for ventilation to ensure reliable operation of the product, and to protect it from overheating. To prevent fire hazard, the openings should never be blocked or covered with items (such as newspapers, table-cloths, curtains) or by operating the equipment on thick carpet or a bed.

D3-4-2-1-7b\*\_A1\_En

## Operating Environment

Operating environment temperature and humidity: +5 °C to +35 °C (+41 °F to +95 °F); less than 85 %RH (cooling vents not blocked)

Do not install this unit in a poorly ventilated area, or in locations exposed to high humidity or direct sunlight (or strong artificial light)

D3-4-2-1-7c\*\_A1\_En

If the AC plug of this unit does not match the AC outlet you want to use, the plug must be removed and appropriate one fitted. Replacement and mounting of an AC plug on the power supply cord of this unit should be performed only by qualified service personnel. If connected to an AC outlet, the cut-off plug can cause severe electrical shock. Make sure it is properly disposed of after removal. The equipment should be disconnected by removing the mains plug from the wall socket when left unused for a long period of time (for example, when on vacation).

D3-4-2-2-1a\_A1\_En

## CAUTION

The **POWER** switch on this unit will not completely shut off all power from the AC outlet. Since the power cord serves as the main disconnect device for the unit, you will need to unplug it from the AC outlet to shut down all power. Therefore, make sure the unit has been installed so that the power cord can be easily unplugged from the AC outlet in case of an accident. To avoid fire hazard, the power cord should also be unplugged from the AC outlet when left unused for a long period of time (for example, when on vacation).

D3-4-2-2-2a\*\_A1\_En

This Class B digital apparatus complies with Canadian ICES-003.

D8-10-1-3\_A1\_En

## Information to User

Alterations or modifications carried out without appropriate authorization may invalidate the user's right to operate the equipment.

D8-10-2\_A1\_En

## CAUTION

This product satisfies FCC regulations when shielded cables and connectors are used to connect the unit to other equipment. To prevent electromagnetic interference with electric appliances such as radios and televisions, use shielded cables and connectors for connections.

D8-10-3a\_A1\_En

## IMPORTANT NOTICE

THE MODEL NUMBER AND SERIAL NUMBER OF THIS EQUIPMENT ARE ON THE RIGHT SIDE. RECORD THESE NUMBERS ON YOUR ENCLOSED WARRANTY CARD AND KEEP IN A SAFE PLACE FOR FUTURE REFERENCE.

D36-AP9-1\_A1\_En

**WARNING:** Handling the cord on this product or cords associated with accessories sold with the product may expose you to chemicals listed on proposition 65 known to the State of California and other governmental entities to cause cancer and birth defect or other reproductive harm.

**Wash hands after handling.**

D36-P5\_B1\_En

## POWER-CORD CAUTION

Handle the power cord by the plug. Do not pull out the plug by tugging the cord and never touch the power cord when your hands are wet as this could cause a short circuit or electric shock. Do not place the unit, a piece of furniture, etc., on the power cord, or pinch the cord. Never make a knot in the cord or tie it with other cords. The power cords should be routed such that they are not likely to be stepped on. A damaged power cord can cause a fire or give you an electrical shock. Check the power cord once in a while. When you find it damaged, ask your nearest PIONEER authorized service center or your dealer for a replacement.

S002\*\_A1\_En



### Dear Customer:

Selecting fine audio equipment such as the unit you've just purchased is only the start of your musical enjoyment. Now it's time to consider how you can maximize the fun and excitement your equipment offers. This manufacturer and the Electronic Industries Association's Consumer Electronics Group want you to get the most out of your equipment by playing it at a safe level. One that lets the sound come through loud and clear without annoying blaring or distortion-and, most importantly, without affecting your sensitive hearing.

Sound can be deceiving. Over time your hearing "comfort level" adapts to higher volumes of sound. So what sounds "normal" can actually be loud and harmful to your hearing. Guard against this by setting your equipment at a safe level BEFORE your hearing adapts.

#### To establish a safe level:

- Start your volume control at a low setting.
- Slowly increase the sound until you can hear it comfortably and clearly, and without distortion.

#### Once you have established a comfortable sound level:

- Set the dial and leave it there.

Taking a minute to do this now will help to prevent hearing damage or loss in the future. After all, we want you listening for a lifetime.

## We Want You Listening For A Lifetime

Used wisely, your new sound equipment will provide a lifetime of fun and enjoyment. Since hearing damage from loud noise is often undetectable until it is too late, this manufacturer and the Electronic Industries Association's Consumer Electronics Group recommend you avoid prolonged exposure to excessive noise. This list of sound levels is included for your protection.

### Decibel Level Example

30	Quiet library, soft whispers
40	Living room, refrigerator, bedroom away from traffic
50	Light traffic, normal conversation, quiet office
60	Air conditioner at 20 feet, sewing machine
70	Vacuum cleaner, hair dryer, noisy restaurant
80	Average city traffic, garbage disposals, alarm clock at two feet.

### THE FOLLOWING NOISES CAN BE DANGEROUS UNDER CONSTANT EXPOSURE

90	Subway, motorcycle, truck traffic, lawn mower
100	Garbage truck, chain saw, pneumatic drill
120	Rock band concert in front of speakers, thunderclap
140	Gunshot blast, jet plane
180	Rocket launching pad

Information courtesy of the Deafness Research Foundation.



S001\_A1\_En

# Contents

## How to read this manual

The names of displays, menus, and buttons in this manual are enclosed in brackets. (e.g. [MASTER] channel, [ON/OFF], [File] menu)

## 01 Before start

Features .....	6
What's in the box.....	6

## 02 Connections

Rear Panel .....	7
Connecting input terminals.....	8
Connecting output terminals.....	8
Connecting to the control panel.....	9
Connecting a computer.....	9
About the USB audio driver software.....	9

## 03 Operations

Control Panel.....	12
Basic Operation .....	13
Advanced Operations .....	15
List of MIDI Messages .....	19
Types of BEAT EFFECT .....	23

## 04 Changing the settings

Setting preferences.....	25
About the auto standby function .....	25

## 05 Additional information

Troubleshooting .....	26
About the liquid crystal display.....	27
About the exemption clauses .....	27
Block Diagram.....	28
Specifications.....	29

---

---

# Before start

---

---

## Features

This unit is a high-performance DJ mixer designed for professional DJs, which, in addition to its high sound quality design, is equipped with a multi-touch panel and various types of interface and effect functions enabling new styles of DJ performing.

---

### TOUCH PANEL EFFECT

This unit uses a large 5.8-inch LCD multi-touch panel. When the [FREQUENCY MIX] and [SIDECHAIN REMIX] effect functions are combined, the effect can be checked both visually and aurally, enabling intuitive control.

#### ❖ FREQUENCY MIX

The track frequencies are divided into seven bands and displayed graphically. Fader control on the touch panel makes it easier to grasp the details and mix two channels or swap instruments (parts).

#### ❖ SIDECHAIN REMIX

The sound of a specific channel can be used as the trigger to apply effects to the sound of other channels. Operation of the touch panel's pad makes it possible to process sound dynamically.

---

### INST FX

This unit is equipped with six types of effects (**NOISE, ZIP, CRUSH, JET, HPF, LPF**). Effects can be obtained simply by turning the [FILTER] controls for the different channels for improvisational performances, and the desired effects can be achieved by adjusting the [PARAMETER] control.

---

### BEAT EFFECT

The DJM series' well-received BEAT EFFECT function has been carried over and further evolved. This unit is equipped with an [EFFECT FREQUENCY] function allowing the amount of the effect applied to be adjusted by frequency range, for even greater playing freedom than before.

---

### PRO DJ LINK

When a PRO DJ LINK-compatible Pioneer DJ player (CDJ-2000, CDJ-900 etc.), a computer on which rekordbox is installed and this unit are connected by LAN cable, the PRO DJ LINK functions below can be used.  
For details, see *About PRO DJ LINK* on page 15.

#### ❖ SD & USB Export

#### ❖ rekordbox LINK Export

#### ❖ LIVE SAMPLER

#### ❖ LINK MONITOR

#### ❖ STATUS INFORMATION

---

### SOUND CARD

This unit is equipped with sound card/USB audio interface allowing up to four audio sources from one computer to be assigned to the different channels and mixed. Furthermore, the master channel output signals can be output to the computer, a great convenience for example for recording the mixed sound.

---

### HIGH SOUND QUALITY

Measures have been taken to improve sound quality for both the digital and analog inputs and outputs. Sound processing with 96 kHz sampling, a 24-bit high sound quality A/D converter and a 32-bit high sound quality D/A converter achieves more powerful, higher grade sound.

---

---

## What's in the box

- CD-ROM
- USB Cable
- LAN cables x 4
- Power cable
- Warranty card
- Operating instructions (this document)

# Connections

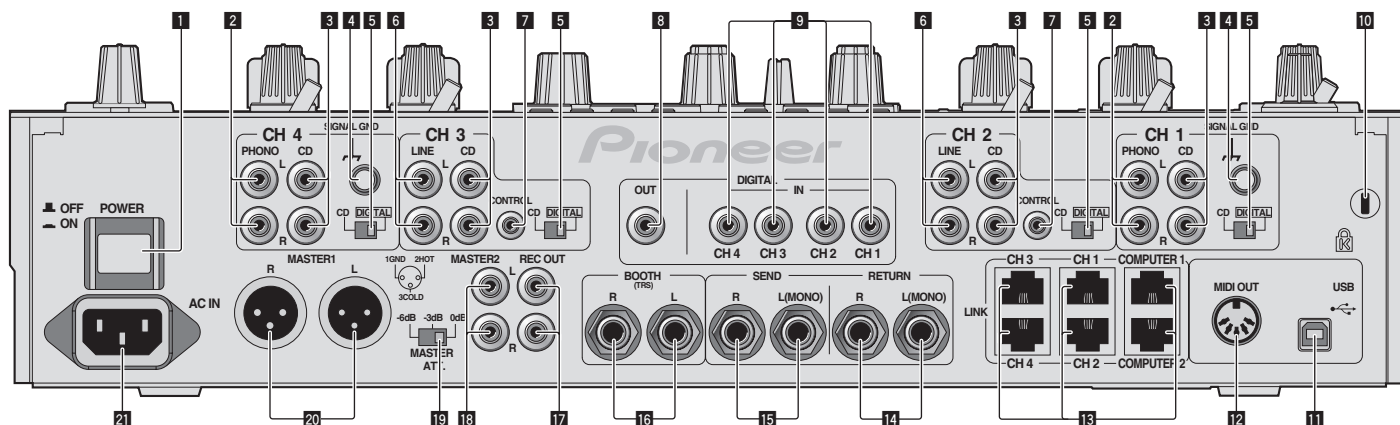
Be sure to turn off the power and unplug the power cord from the power outlet whenever making or changing connections.

Refer to the operating instructions for the component to be connected.

Connect the power cord after all the connections between devices have been completed.

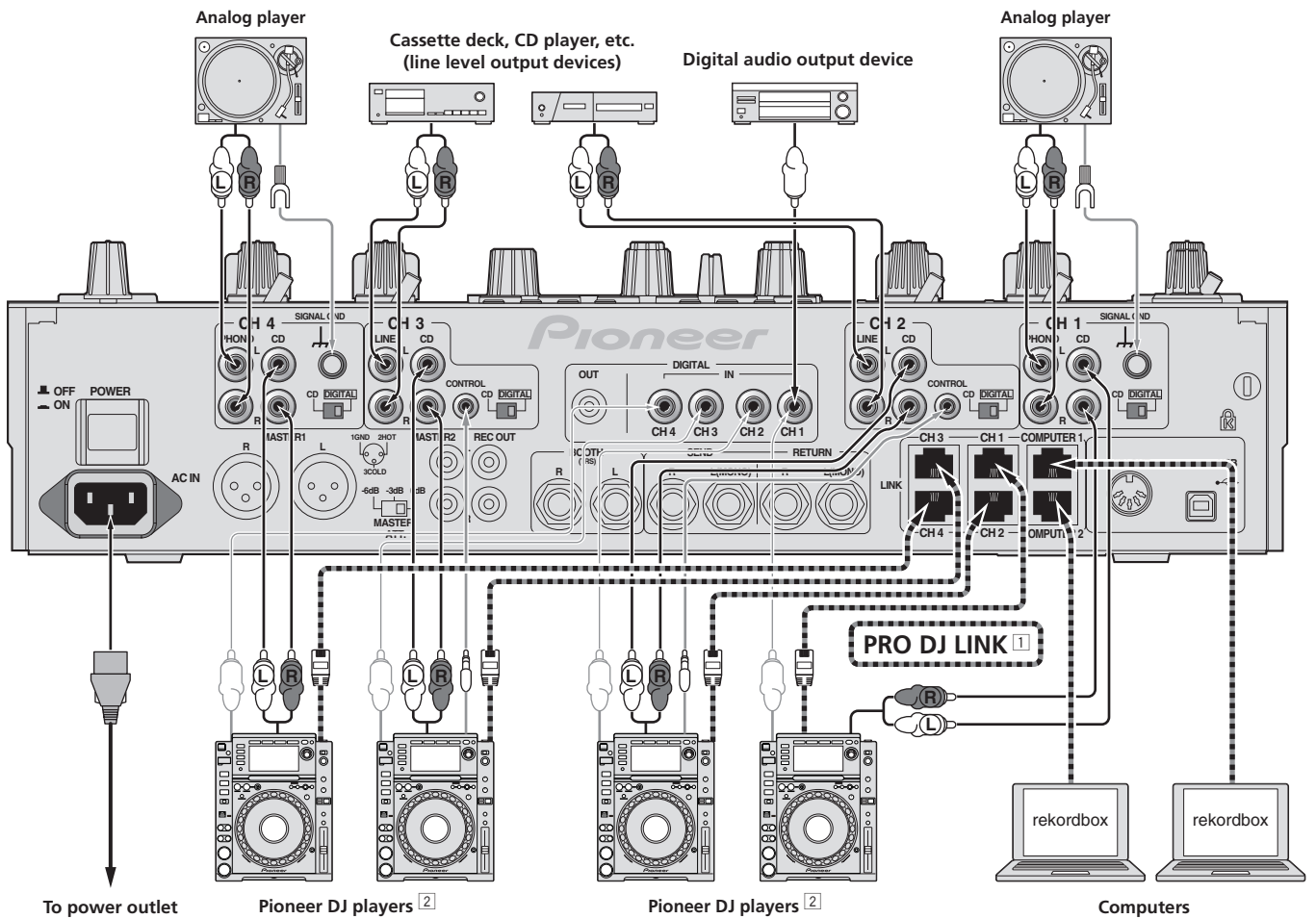
Be sure to use the included power cord.

## Rear Panel



- 1 POWER (page 13)**  
Turns this unit's power on and off.
- 2 PHONO (page 8)**  
Connect to a phono level (MM cartridge) output device. Do not input line level signals.
- 3 CD (page 8)**  
Connect to a DJ player or a line level output component.
- 4 SIGNAL GND (page 8)**  
Connect an analog player's ground wire here. This helps reduce noise when the analog player is connected.
- 5 CD, DIGITAL (page 13)**  
Selects the analog signal input terminals (CD) or the digital signal input terminals (DIGITAL IN).
- 6 LINE (page 8)**  
Connect to a cassette deck or a line level output component.
- 7 CONTROL (page 8)**  
Connect using a control cord (included with Pioneer DJ players).
- 8 DIGITAL OUT (page 8)**  
Outputs the master channel audio signals.
- 9 DIGITAL IN (page 8)**  
Connect these to the digital coaxial output terminals on DJ players, etc. The sound may be momentarily interrupted when the output signal sampling frequency is switched.
- 10 Kensington security slot**
- 11 USB (page 9)**  
Connect to a computer.
- 12 MIDI OUT (page 8)**  
Connect this to the MIDI IN terminal on an external MIDI sequencer.
- 13 LINK (page 8)**  
Connect these to the LINK terminals on Pioneer DJ players or the LAN ports of computers on which rekordbox is installed (PRO DJ LINK).
- 14 RETURN (page 8)**  
Connect to the output terminal of an external effector. When the [L (MONO)] channel only is connected, the [L (MONO)] channel input is simultaneously input to the [R] channel.
- 15 SEND (page 8)**  
Connect to the input terminal of an external effector. When the [L (MONO)] channel only is connected, a monaural audio signal is output.
- 16 BOOTH (page 8)**  
Output terminals for a booth monitor, compatible with balanced or unbalanced output for a TRS connector.
- 17 REC OUT (page 8)**  
This is an output terminal for recording.
- 18 MASTER2 (page 6)**  
Connect to a power amplifier, etc.
- 19 MASTER ATT.**  
Switches the attenuation level of the sound output from the [MASTER1] and [MASTER2] terminals. Select 0 dB, -3 dB or -6 dB.
- 20 MASTER1 (page 8)**  
Connect to a power amplifier, etc.
- 21 AC IN**  
Connect to a power outlet using the included power cord. Wait until all connections between the equipment are completed before connecting the power cord.  
Be sure to use the included power cord.

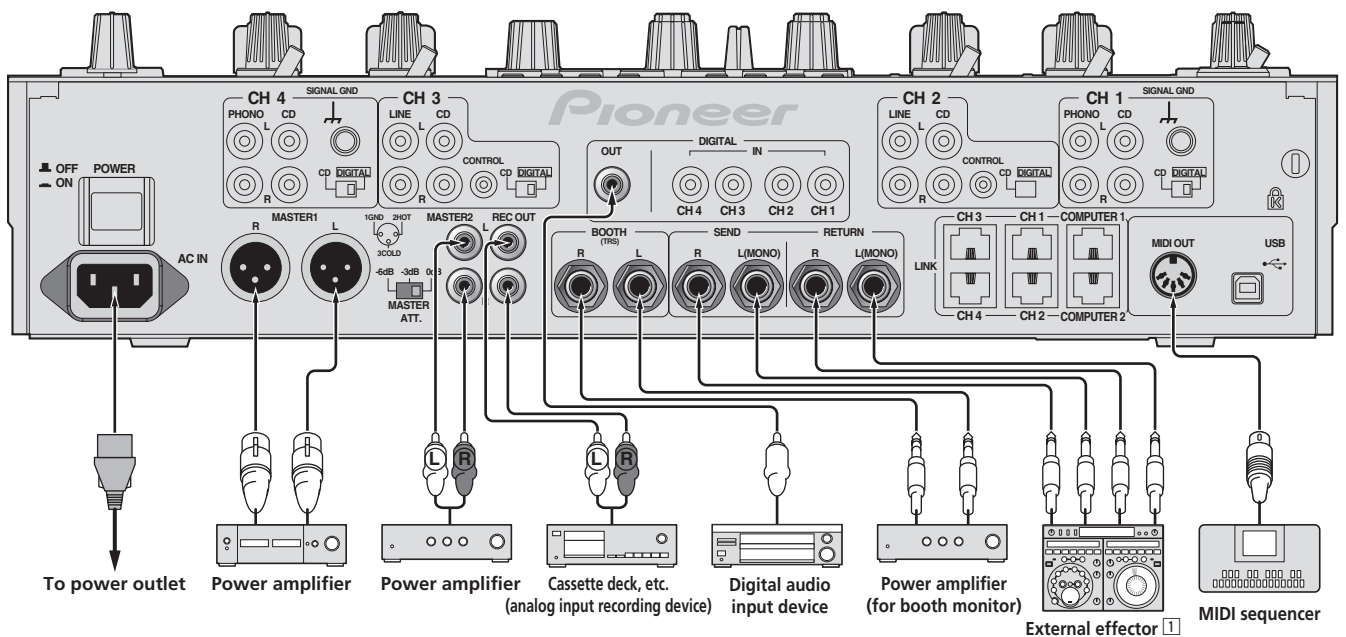
## Connecting input terminals



1 For details on PRO DJ LINK, see *About PRO DJ LINK* on page 15.  
Use the included LAN cables to connect to Pioneer DJ players.

2 To use the fader start function, connect a LAN cable or control cord (page 14).

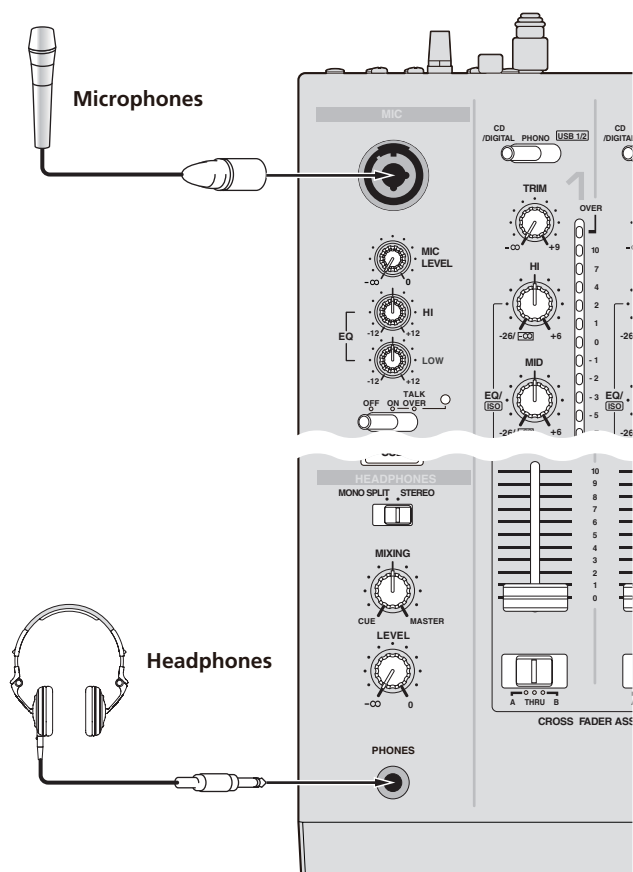
## Connecting output terminals



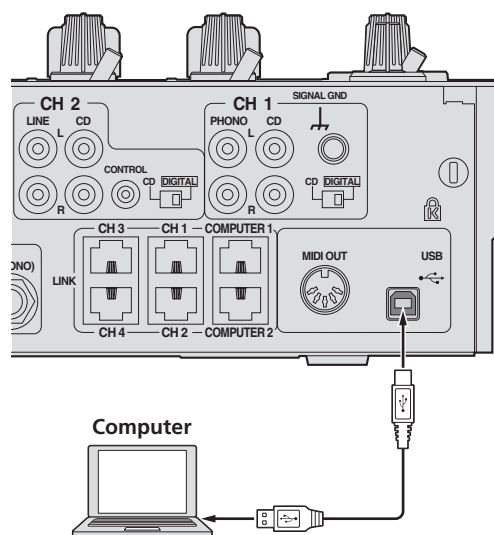
1 Also connect the external effector to the [RETURN] terminal (input terminal).



## Connecting to the control panel



## Connecting a computer



Connect with the included USB cable.

## About the USB audio driver software

This driver software is a proprietary program for inputting and outputting audio signals from the computer. To use this unit connected to a computer on which a Windows or Mac OS is installed, install the driver software on the computer beforehand.

## Software end user license agreement

This Software End User License Agreement ("Agreement") is between you (both the individual installing the Program and any single legal entity for which the individual is acting) ("You" or "Your") and PIONEER CORPORATION ("Pioneer"). TAKING ANY STEP TO SET UP OR INSTALL THE PROGRAM MEANS THAT YOU ACCEPT ALL OF THE TERMS OF THIS LICENSE AGREEMENT. PERMISSION TO DOWNLOAD AND/OR USE THE PROGRAM IS EXPRESSLY CONDITIONED ON YOUR FOLLOWING THESE TERMS. WRITTEN OR ELECTRONIC APPROVAL IS NOT REQUIRED TO MAKE THIS AGREEMENT VALID AND ENFORCEABLE. IF YOU DO NOT AGREE TO ALL OF THE TERMS OF THIS AGREEMENT, YOU ARE NOT AUTHORIZED TO USE THE PROGRAM AND MUST STOP INSTALLING IT OR UNINSTALL IT, AS APPLICABLE.

### 1 Definitions

- 1 "Documentation" means written documentation, specifications and help content made generally available by Pioneer to aid in installing and using the Program.
- 2 "Program" means all or any part of Pioneer's software licensed to You by Pioneer under this Agreement.

### 2 Program license

- 1 Limited License. Subject to this Agreement's restrictions, Pioneer grants to You a limited, non-exclusive, nontransferable, license (without the right to sublicense):
  - a To install a single copy of the Program on the hard disk drive of Your computer, to use the Program only for Your personal purpose complying with this Agreement and the Documentation ("Authorized Use");
  - b To use the Documentation in support of Your Authorized Use; and
  - c To make one copy of the Program solely for backup purposes, provided that all titles and trademark, copyright and restricted rights notices are reproduced on the copy.
- 2 Restrictions. You will not copy or use the Program or Documentation except as expressly permitted by this Agreement. You will not transfer, sublicense, rent, lease or lend the Program, or use it for third-party training, commercial time-sharing or service bureau use. You will not Yourself or through any third party modify, reverse engineer, disassemble or decompile the Program, except to the extent expressly permitted by applicable law, and then only after You have notified Pioneer in writing of Your intended activities. You will not use the Program on multiple processors without Pioneer's prior written consent.
- 3 Ownership. Pioneer or its licensor retains all right, title and interest in and to all patent, copyright, trademark, trade secret and other intellectual property rights in the Program and Documentation, and any derivative works thereof. You do not acquire any other rights, express or implied, beyond the limited license set forth in this Agreement.
- 4 No Support. Pioneer has no obligation to provide support, maintenance, upgrades, modifications or new releases for the Program or Documentation under this Agreement.

### 3 Warranty disclaimer

THE PROGRAM AND DOCUMENTATION ARE PROVIDED "AS IS" WITHOUT ANY REPRESENTATIONS OR WARRANTIES, AND YOU AGREE TO USE THEM AT YOUR SOLE RISK. TO THE FULLEST EXTENT PERMISSIBLE BY LAW, PIONEER EXPRESSLY DISCLAIMS ALL WARRANTIES OF ANY KIND WITH RESPECT TO THE PROGRAM AND DOCUMENTATION, WHETHER EXPRESS, IMPLIED, STATUTORY, OR ARISING OUT OF COURSE OF PERFORMANCE, COURSE OF DEALING OR USAGE OF TRADE, INCLUDING ANY WARRANTIES OF MERCHANTABILITY, FITNESS FOR A PARTICULAR PURPOSE, SATISFACTORY QUALITY, ACCURACY, TITLE OR NON-INFRINGEMENT.

### 4 Damages and remedies for breach

You agree that any breach of this Agreement's restrictions would cause Pioneer irreparable harm for which money damages alone would be inadequate. In addition to damages and any other remedies to which Pioneer may be entitled, You agree that Pioneer may seek injunctive relief to prevent the actual, threatened or continued breach of this Agreement.

### 5 Termination

Pioneer may terminate this Agreement at any time upon Your breach of any provision. If this Agreement is terminated, You will stop using the Program, permanently delete it from the computer where it resides, and destroy all copies of the Program and Documentation in Your possession, confirming to Pioneer in writing that You have done so. Sections 2.2, 2.3, 2.4, 3, 4, 5 and 6 will continue in effect after this Agreement's termination.

### 6 General terms

- 1 Limitation of Liability. In no event will Pioneer or its subsidiaries be liable in connection with this Agreement or its subject matter, under any theory

of liability, for any indirect, incidental, special, consequential or punitive damages, or damages for lost profits, revenue, business, savings, data, use, or cost of substitute procurement, even if advised of the possibility of such damages or if such damages are foreseeable. In no event will Pioneer's liability for all damages exceed the amounts actually paid by You to Pioneer or its subsidiaries for the Program. The parties acknowledge that the liability limits and risk allocation in this Agreement are reflected in the Program price and are essential elements of the bargain between the parties, without which Pioneer would not have provided the Program or entered into this Agreement.

- 2 The limitations or exclusions of warranties and liability contained in this Agreement do not affect or prejudice Your statutory rights as consumer and shall apply to You only to the extent such limitations or exclusions are permitted under the laws of the jurisdiction where You are located.
- 3 Severability and Waiver. If any provision of this Agreement is held to be illegal, invalid or otherwise unenforceable, that provision will be enforced to the extent possible or, if incapable of enforcement, deemed to be severed and deleted from this Agreement, and the remainder will continue in full force and effect. The waiver by either party of any default or breach of this Agreement will not waive any other or subsequent default or breach.
- 4 No Assignment. You may not assign, sell, transfer, delegate or otherwise dispose of this Agreement or any rights or obligations under it, whether voluntarily or involuntarily, by operation of law or otherwise, without Pioneer's prior written consent. Any purported assignment, transfer or delegation by You will be null and void. Subject to the foregoing, this Agreement will be binding upon and will inure to the benefit of the parties and their respective successors and assigns.
- 5 Entire Agreement. This Agreement constitutes the entire agreement between the parties and supersedes all prior or contemporaneous agreements or representations, whether written or oral, concerning its subject matter. This Agreement may not be modified or amended without Pioneer's prior and express written consent, and no other act, document, usage or custom will be deemed to amend or modify this Agreement.
- 6 You agree that this Agreement shall be governed and construed by and under the laws of Japan.

## Cautions on Installation

- Before installing the driver software, be sure to turn off the power of this unit and disconnect the USB cable from both this unit and your computer.
- If you connect this unit to your computer without installing the driver software first, an error may occur on your computer depending on the system environment.
- If you have discontinued the installation process in progress, step through the installation process again from the beginning according to the following procedure.
- Read *Software end user license agreement* carefully before installing this unit's proprietary driver software.
- Before installing the driver software, terminate all other programs running on your computer.
- The driver software is compatible with the following OSs.

### Supported operating systems

Mac OS X (10.3.9 and later)		✓
Windows® 7 Home Premium/Professional/Ultimate	32-bit version	✓
	64-bit version	✓
Windows Vista® Home Basic/Home Premium/Business/Ultimate	32-bit version	✓
	64-bit version	✓
Windows® XP Home Edition/Professional (SP2 and later)	32-bit version	✓

Windows® XP Professional x64 edition is not supported.

- The included CD-ROM includes installation programs in the following 12 languages.  
English, French, German, Italian, Dutch, Spanish, Portuguese, Russian, Simplified Chinese, Traditional Chinese, Korean, and Japanese  
When using operating systems in other languages, follow the instructions on the screen to select **[English (English)]**.

## Installing the driver software

### ❖ Installation Procedure (Windows)

Read *Cautions on Installation* carefully before installing the driver software.

- To install or uninstall the driver software, you need to be authorized by the administrator of your computer. Log on as the administrator of your computer before proceeding with the installation.

#### 1 Insert the included CD-ROM into the computer's CD drive.

The CD-ROM folder appears.

- If the CD-ROM folder is not displayed after a CD-ROM is loaded, open the CD drive from **[Computer (or My Computer)]** in the **[Start]** menu.

#### 2 Double-click **[DJM-2000\_X.XXX.exe]**.

The driver installation screen appears.

#### 3 When the language selection screen appears, select **[English]** and click **[OK]**.

You can select one from multiple languages depending on the system environment of your computer.

#### 4 Carefully read the *Software end user license agreement* and if you consent to the provisions, put a check mark in **[I agree.]** and click **[OK]**.

If you do not consent to the provisions of the *Software end user license agreement*, click **[Cancel]** and stop installation.

#### 5 Proceed with installation according to the instructions on the screen.

If **[Windows Security]** appears on the screen while the installation is in progress, click **[Install this driver software anyway]** and continue with the installation.

- When installing on Windows XP  
If **[Hardware Installation]** appears on the screen while the installation is in progress, click **[Continue Anyway]** and continue with the installation.
- When the installation program is completed, a completion message appears.
- When the installation of the driver software is completed, you need to reboot your computer.

### ❖ Installation Procedure (Macintosh)

Read *Cautions on Installation* carefully before installing the driver software.

- To install or uninstall the driver software, you need to be authorized by the administrator of your computer. Have the name and password of the administrator of your computer ready in advance.

#### 1 Insert the included CD-ROM into the computer's CD drive.

The CD-ROM folder appears.

- Double-click the CD icon on the desktop when folders are not displayed after a CD-ROM has been loaded.

#### 2 Double-click **[DJM-2000\_M\_X.X.X.dmg]**.

The **[DJM-2000AudioDriver]** menu screen appears.

#### 3 Double-click **[DJM-2000AudioDriver.pkg]**.

The driver installation screen appears.

#### 4 Check the details on the screen and click **[Continue Anyway]**.

#### 5 When the Software Use Agreement screen appears, select **[English]**, carefully read the *Software end user license agreement* and click **[Continue Anyway]**.

You can select one from multiple languages depending on the system environment of your computer.

#### 6 If you consent to the provisions of the *Software end user license agreement*, click **[Agree]**.

If you do not consent to the provisions of the *Software end user license agreement*, click **[I disagree]** and stop installation.

#### 7 Proceed with installation according to the instructions on the screen.

- Click **[Cancel]** to cancel installation after it has started.
- When the installation of the driver software is completed, you need to reboot your computer.

## Connecting the DJM-2000 and computer

### 1 Connect this unit to your computer via a USB cable.

This unit functions as an audio device conforming to the ASIO standards.

- When using ASIO-compatible applications, **[USB 1/2]**, **[USB 3/4]**, **[USB 5/6]** and **[USB 7/8]** can be used as inputs. Depending on the input/output setting, it is possible to use three of this unit's sets of inputs.
- When using DirectX-compatible applications, only **[USB 1/2]** can be used as the input.
- The computer's recommended operating environment depends on the DJ application. Be sure to check the recommended operating environment for the DJ application you are using.
- When another USB audio device is connected to the computer at the same time, it may not operate or be recognized normally.  
We recommend only connecting the computer and this unit.
- When connecting the computer and this unit, we recommend connecting directly to this unit's USB port.

### 2 Press **[POWER]**.

Turn on the power of this unit.

- The message **[Installing device driver software]** may appear when the DJM-2000 is connected to the computer for the first time or when it is reconnected

to the computer's USB port. Wait until the [Your devices are ready for use] message appears.

- When installing on Windows XP
  - [Can Windows connect to Windows Update to search for software?] may appear while the installation is in progress. Select [No, not this time] and click [Next] to continue with the installation.
  - [What do you want the wizard to do?] may appear while the installation is in progress. Select [Install the software automatically (Recommended)] and click [Next] to continue with the installation.
  - If [Windows Security] appears on the screen while the installation is in progress, click [Install this driver software anyway] and continue with the installation.

## Switching the input/output setting

Use this procedure to switch the computer's input/output setting when using the driver software.

- If applications using this unit as the default audio device (DJ applications, etc.) are running, quit those applications before switching the input/output setting.
- Some time is required after the input/output setting is switched for the computer to be updated. The input/output setting cannot be switched while the computer is being updated.
- Sound may not be output if there are differences between the input/output settings on this unit and on the computer. If this happens, turn this unit's power on and reset the input/output settings with the USB cable connected.
- If the input/output setting is switched while using DirectX, the application may not recognize the driver software.
- MIDI communications are interrupted if the input/output setting is switched during MIDI communications.

### ❖ Switching procedure (Windows)

Click the Windows [Start] menu>[All Programs]>[Pioneer]>[DJM-2000]>[DJM-2000 Setting Utility].

Switch the computer's input/output setting.

- ASIO 4 outputs 0 inputs 16 bits DirectX 1 output 0 inputs
- ASIO 3 outputs 1 input 16 bits DirectX 1 output 1 input
- ASIO 3 outputs 0 inputs 24 bits DirectX 1 output 0 inputs

### ❖ Switching procedure (Macintosh)

Click [Apple]>[System Preferences]>[Other]>[DJM-2000 Settings].

Switch the computer's input/output setting.

- 8-channel output No input 16 bits
- 6-channel output 2-channel input 16 bits
- 6-channel output No input 24 bits

## Adjusting the buffer size (Windows)

Use this procedure to adjust the computer's buffer size when using ASIO driver software.

Click the Windows [Start] menu>[All Programs]>[Pioneer]>[DJM-2000]>[DJM-2000 Setting Utility].

A sufficiently large buffer size decreases the chance of sound dropout (sound interruption) but increases audio signal transmission delay (latency).

- If applications using this unit as the default audio device (DJ applications, etc.) are running, quit those applications before adjusting the buffer size.

## Checking the version of the driver software

### ❖ Procedure for checking (Windows)

Click the Windows [Start] menu>[All Programs]>[Pioneer]>[DJM-2000]>[DJM-2000 Version Display Utility].

The [Version] screen appears.

### ❖ Procedure for checking (Macintosh)

Click [Apple]>[About This Mac]>[More Info]>[Extensions]>[DJM-2000 USB Audio].

The [Version] screen appears.

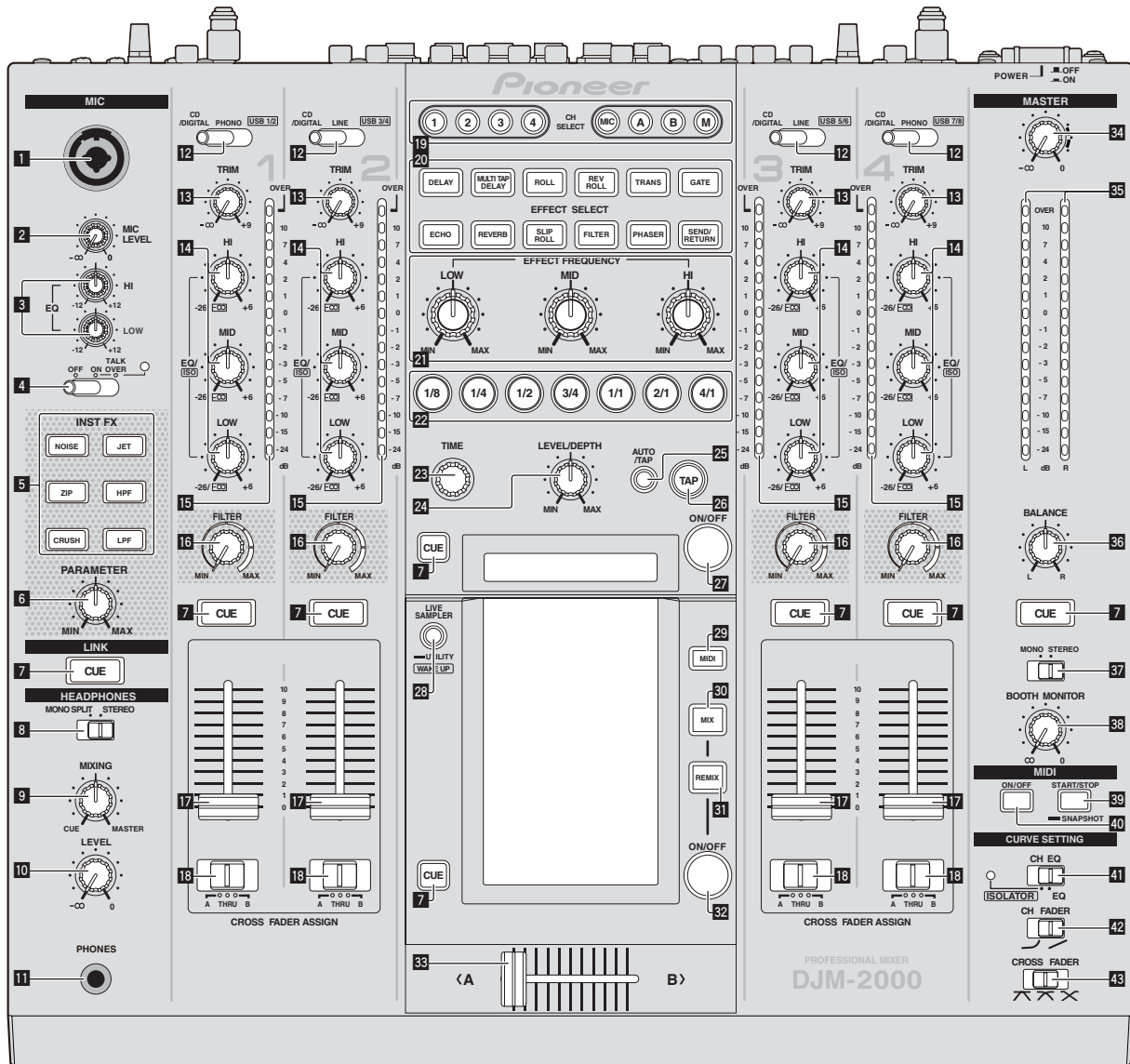
## Checking the latest information on the driver software

For the latest information on the driver software for exclusive use with this unit, visit our website shown below.

<http://www.prodjnet.com/support/>

# Operations

## Control Panel



- 1 Microphone input jack (page 14)
- 2 MIC LEVEL (page 14)
- 3 EQ (HI, LOW) (page 14)
- 4 OFF, ON, TALK OVER (page 14)
- 5 INST FX (page 16)
- 6 PARAMETER (page 16)
- 7 CUE (page 13)
- 8 MONO SPLIT, STEREO (page 13)
- 9 MIXING (page 13)
- 10 LEVEL (page 13)
- 11 PHONES (page 13)
- 12 CD/DIGITAL, PHONO, LINE, USB \*/\* (page 13)
- 13 TRIM (page 13)
- 14 EQ/ISO (HI, MID, LOW) (page 13)
- 15 Channel Level Indicator (page 13)
- 16 FILTER (page 16)
- 17 Channel Fader (page 13)
- 18 CROSS FADER ASSIGN (A, THRU, B) (page 13)
- 19 CH SELECT (page 17)
- 20 EFFECT SELECT (page 17)
- 21 EFFECT FREQUENCY (HI, MID, LOW) (page 17)
- 22 Beat buttons (page 17)
- 23 TIME (page 17)
- 24 LEVEL/DEPTH (page 17)
- 25 AUTO/TAP (page 17)
- 26 TAP (page 17)
- 27 ON/OFF (BEAT EFFECT) (page 17)
- 28 LIVE SAMPLER (UTILITY, WAKE UP) (page 16, page 25)
- 29 MIDI (page 17)
- 30 MIX (page 15)
- 31 REMIX (page 15)
- 32 ON/OFF (TOUCH PANEL EFFECT) (page 15)
- 33 < A > B >
- 34 MASTER VOLUME
- 35 OVER
- 36 BALANCE
- 37 MONO STEREO
- 38 BOOTH MONITOR
- 39 MIDI ON/OFF START/STOP
- 40 MIDI ON/OFF SNAPSHOT
- 41 CURVE SETTING CH EQ
- 42 CURVE SETTING CH FADER
- 43 CURVE SETTING CROSS FADER

- 33 Crossfader (page 13)
- 34 MASTER (page 13)
- 35 Master Level Indicator (page 13)
- 36 BALANCE (page 14)
- 37 MONO, STEREO (page 14)
- 38 BOOTH MONITOR (page 14)
- 39 START/STOP (SNAPSHOT) (page 17)
- 40 ON/OFF (MIDI) (page 17)
- 41 CH EQ (ISOLATOR, EQ) (page 13)
- 42 CH FADER (↵, ↶) (page 14)
- 43 CROSS FADER (↵, ↶, ✕) (page 14)

---



---

## Basic Operation

---

### Outputting sound

#### 1 Press [POWER].

Turn on the power of this unit.

#### 2 Switching the [CD/DIGITAL, PHONO, LINE, USB \*/\*] switch

Select the input sources for the different channels from among the devices connected to this unit.

- [CD/DIGITAL]: Selects the DJ player connected to the [CD] terminals. To select the DJ player connected to the [DIGITAL IN] terminal, set the [CD, DIGITAL] switch on the rear panel to [DIGITAL].
- [PHONO]: Selects the analog player connected to the [PHONO] terminals.
- [LINE]: Selects the cassette deck or CD player connected to the [LINE] terminals.
- [USB \*/\*]: Selects the sound of the computer connected to the [USB] port.

#### 3 Rotate [TRIM].

Adjusts the level of audio signals input in each channel.

The corresponding channel level indicator lights when audio signals are being properly input to that channel.

#### 4 Set the channel fader to the inner position.

Adjusts the level of audio signals output in each channel.

#### 5 Switch the [CROSS FADER ASSIGN (A, THRU, B)] switch.

Switches the output destination of each channel.

- [A]: Assigns to [A] (left) of the crossfader.
- [B]: Assigns to [B] (right) of the crossfader.
- [THRU]: Choose this when you do not want to use the crossfader. (The signals do not pass through the crossfader.)

#### 6 Set the crossfader.

This operation is not necessary when [CROSS FADER ASSIGN (A, THRU, B)] is set to [THRU].

#### 7 Turn the [MASTER] control.

Audio signals are output from the [MASTER1] and [MASTER2] terminals. The master level indicator lights.

---

## Adjusting the sound quality

### Turn the [EQ/ISO (HI, MID, LOW)] controls for the individual channels.

Refer to *Specifications* on page 29 for the range of sound that can be adjusted by each control.

#### ❖ Switching the [EQ/ISO (HI, MID, LOW)] function.

##### Switch the [CH EQ (ISOLATOR, EQ)] switch.

- [ISOLATOR]: The isolator function is set. The indicator lights.
- [EQ]: The equalizer function is set.

---

## Monitoring sound with headphones

#### 1 Connect headphones to the [PHONES] jack.

#### 2 Press [CUE] for the channel to be monitored.

#### 3 Switch the [MONO SPLIT, STEREO] switch.

- [MONO SPLIT]: The sound of the channel for which [CUE] is pressed is output from the headphones output's left channel, while the sound of [MASTER] is output from the right channel.
- [STEREO]: The sound of the channel for which [CUE] is pressed is output in stereo from the headphones.

#### 4 Turn the [MIXING] control.

This adjusts the balance of the monitor volume between the sound of the channel for which [CUE] is pressed and the [MASTER] channel sound.

#### 5 Turn the [LEVEL] control for [HEADPHONES].

Sound is output from the headphones in the channel selected by [CUE].

- Monitoring is canceled when [CUE] is pressed again.
- When [LIVE SAMPLER] is turned on, [CUE] button for the TOUCH PANEL EFFECT and [CUE] button for the [LINK] cannot be pressed simultaneously.



---

## Monitoring the sound of the computer

- Check [Use "LINK MONITOR" of Pioneer DJ Mixers.] at [File] > [Preferences] > [Audio] in rekordbox beforehand. Also refer to the rekordbox operating instructions.

- 1 Connect headphones to the [PHONES] jack.
- 2 Connect a computer on which rekordbox is installed.  
For instructions on connections, see *Connecting input terminals* on page 8.
- 3 Selecting the track to be monitored with rekordbox
- 4 Press [CUE] button for [LINK].

The track selected with rekordbox is output from the headphones.

- Monitoring is canceled when [CUE] is pressed again.
  - The same operation as at *Monitoring sound with headphones* (steps 3 to 5) can be performed.
- 

## Switching the fader curve

### ❖ Select the channel fader curve characteristics.

Switch the [CH FADER (↘, ↗)] switch.

- [↘]: The curve rises suddenly at the back side.
- [↗]: The curve rises gradually (the sound gradually increases as the channel fader is moved away from the front side).

### ❖ Select the crossfader curve characteristics.

Switch the [CROSS FADER (↖, ↗, ✕)] switch.

- [↖]: Makes a sharply increasing curve (if the crossfader is moved away from the [A] side, audio signals are immediately output from the [B] side).
  - [↗]: Makes a curve shaped between the two curves above and below.
  - [✕]: Makes a gradually increasing curve (if the crossfader is moved away from the [A] side, the sound on the [B] side gradually increases, while the sound on the [A] side gradually decreases).
- 

## Starting playback on a DJ player using the fader (fader start)

When connected to a Pioneer DJ player by LAN cable (included with this unit) or control cord (included with the DJ player), operations such as starting playback on the DJ player can be controlled with this unit's fader. Connect this unit and Pioneer DJ player beforehand. For instructions on connections, see *Connecting input terminals* on page 8.

### ❖ Start playback using the channel fader

- 1 Set [CROSS FADER ASSIGN (A, THRU, B)] to [THRU].
- 2 Set [FADER START] to [ON].  
For instructions on setting, see *Changing the settings* on page 25.
- 3 Set the channel fader to the outermost position.
- 4 Set the cue on the DJ player.  
The DJ player pauses playback at the cue point.

### 5 Set the channel fader to the inner position.

Playback starts on the DJ player.

- If you set the channel fader back to the original position, the player instantaneously returns to the cue point already set and pauses playback (back cue).

### ❖ Start playback using the crossfader

- 1 Set [CROSS FADER ASSIGN (A, THRU, B)] to [A] or [B].
- 2 Set [FADER START] to [ON].  
For instructions on setting, see *Changing the settings* on page 25.
- 3 Set the crossfader.  
Set to the edge opposite the side on which the channel you want to use with the fader start function is set.
- 4 Set the cue on the DJ player.  
The DJ player pauses playback at the cue point.
- 5 Set the crossfader.  
Playback starts on the DJ player.

- If you set the crossfader back to the original position, the player instantaneously returns to the cue point already set and pauses playback (back cue).
- 

## Using a microphone

- 1 Connect the microphone to the microphone input jack.
- 2 Set [OFF, ON, TALK OVER] to [ON] or [TALK OVER].
  - [ON]: The indicator lights.
  - [TALK OVER]: The indicator flashes.
- When set to [TALK OVER], sound other than that from the [MIC] terminal is attenuated by 20 dB (default value) when sound of -15 dB (default value) or greater is input to the microphone.
- 3 Turn the [MIC LEVEL] control.  
This adjusts the audio level output from the [MIC] terminal.
- Pay attention that rotating to the extreme right position outputs a very loud sound.
- 4 Input audio signals to the microphone.

### ❖ Adjusting the sound quality

Turn the [EQ (HI, LOW)] control for [MIC] channel.

Refer to *Specifications* on page 29 for the range of sound that can be adjusted by each control.

---

## Switching between monaural and stereo audio

This switches the sound output from the [MASTER1], [MASTER2], [BOOTH], [REC OUT], [PHONES], [DIGITAL OUT] and [USB] terminals between monaural and stereo.

Switch the [MONO, STEREO] switch.

- [MONO]: Outputs monaural audio.
- [STEREO]: Outputs stereo audio.

### ❖ Adjusting the L/R balance of audio

The left/right balance of the sound output from the [MASTER1], [MASTER2], [BOOTH], [REC OUT], [PHONES], [DIGITAL OUT] and [USB] terminals can be adjusted.

- 1 Set the [MONO, STEREO] switch to [STEREO].

### 2 Rotate [BALANCE].

The L/R balance of audio varies according to the rotation direction and position of the [BALANCE] control.

- Rotating to the rightmost position outputs only the right sound of stereo audio. Rotating to the leftmost position outputs only the left sound of stereo audio.
- 

## Audio is output from the [BOOTH] terminal

Rotate [BOOTH MONITOR].

Adjusts the level of audio signals output at the [BOOTH] terminal.

---

## Advanced Operations

### About PRO DJ LINK

When a PRO DJ LINK-compatible Pioneer DJ player (CDJ-2000, CDJ-900 etc.), a computer on which rekordbox is installed and this unit are connected by LAN cable, the PRO DJ LINK functions below can be used.

For more details on the PRO DJ LINK function, also refer to the DJ player's handling instructions and rekordbox's operating instructions.

For instructions on connections, see *Connecting input terminals* on page 8.

- Up to four DJ players can be connected. Up to two computers can be connected.
- Connect the DJ players to the [LINK] terminal ([CH1] to [CH4]) with the same number as the channel to which the audio cables are connected.
- Connect the computers to the [COMPUTER 1] or [COMPUTER 2] terminal.

### ❖ SD & USB Export

rekordbox music files and management data on SD memory cards/USB devices connected to a CDJ-2000, CDJ-900, etc., can be transferred between DJ players.

### ❖ rekordbox LINK Export

This function lets you transfer rekordbox music files and management data directly, eliminating the bother of exporting the data to an SD memory card/USB device.

### ❖ LIVE SAMPLER

The sound input to the [MIC] terminal or output from the [MASTER] terminals can be sampled and played on a DJ player.

### ❖ LINK MONITOR

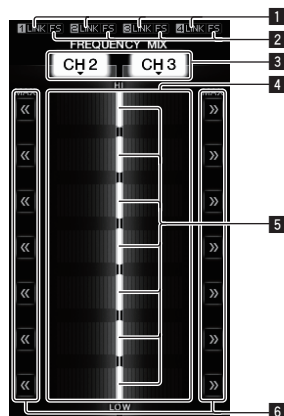
With this function, rekordbox music files stored on the computer can be quickly monitored over the headphones.

### ❖ STATUS INFORMATION

This function informs the DJ players of the connected channel status (on-air status, channel number, etc.).

## FREQUENCY MIX

The currently playing sound is divided into seven frequency bands that are displayed graphically. Fader control on the touch panel makes it easier to grasp the details and mix two channels or swap instruments (parts).



1	LINK	These light when DJ players are properly connected to the [LINK] terminals.
2	FS	These light when the fader start function is turned on.
3	Channel assign buttons	These select the channels to be mixed.
4	Volume level display	The input volume level to this function is displayed in a light color, the output volume level from this function is displayed in a dark color.
5	Touch fader	These adjust the volume balance of the channels to be mixed for the separate frequency bands.
6	<< >>	These move the touch fader immediately to the left or right edge.

### ❖ To mix [CH2] and [CH3]:

Prepare this unit in advance so that the sound of [CH3] is being output from the [MASTER] terminals.

#### 1 Set the [CROSS FADER ASSIGN (A, THRU, B)] switches for [CH2] and [CH 3] to [THRU].

- Set the [CROSS FADER ASSIGN (A, THRU, B)] switches of the channels to be mixed to [THRU].
- When using the crossfader, it is recommended to set it to the center position.

#### 2 Press [MIX].

The [FREQUENCY MIX] screen appears on the touch panel.

#### 3 Press the channel assign buttons to select [CH2] for the left side, [CH3] for the right side.

The volume levels for the individual frequency bands of the sound playing in [CH3] are displayed on the right half of the touch panel.

#### 4 Press all the [ >> ] buttons.

All the touch faders move to the right edge.

#### 5 Press [ON/OFF].

This turns the effect on.

[ON/OFF] flashes when the effect is turned on.

#### 6 Move the channel fader for [CH2] to the back side.

The volume levels for the individual frequency bands of the sound playing in [CH2] are displayed on the left half of the touch panel.

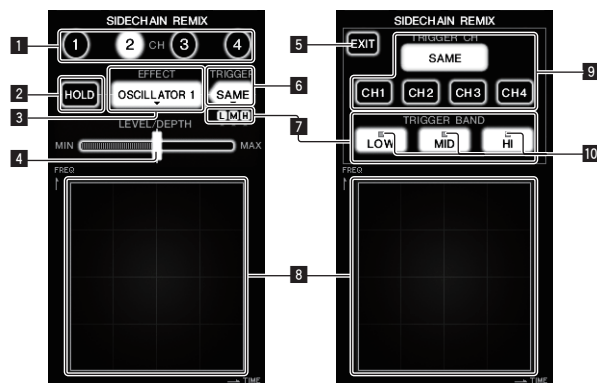
#### 7 Move the touch fader to the left side.

The sound of the frequency bands whose crossfaders have been moved is mixed and output.

- The effect turns off when [ON/OFF] is pressed again.
- To switch from the [FREQUENCY MIX] to the [SIDECHAIN REMIX] mode, first press the [ON/OFF] button to turn the effect off, then press [REMIX].

## SIDECHAIN REMIX

When this function is used, the sound of the specified frequency band for the specified channel can be used as the trigger to apply effects to the sounds of other channels.



1	CH	This selects the channel to which the effect is applied.
2	HOLD	This holds the effect's parameter information (the position at which the control area was touched).
3	EFFECT	This selects the type of effect.
4	LEVEL/DEPTH	Use this to adjust the amount of the effect applied.
5	EXIT	Use this to close the [TRIGGER] menu.
6	TRIGGER (SAMPLING/TRIGGER)	Use this to open the [TRIGGER] menu.
7	TRIGGER BAND	Use these to select the frequency band to be used as the trigger.
8	Control area	Use this to change the effect's parameters.
9	TRIGGER CH (SAMPLING/TRIGGER CH)	This selects the channel to be used as the effect trigger.
10	Trigger indicators	These flash according to the automatically detected rhythm for the different frequency bands.

### ❖ To set the channel for sampling and triggering to [CH3] and mix the sampled sound with the sound of [CH2] for output:

Prepare this unit in advance so that the sound of [CH2] is being output from the [MASTER] terminals.

#### 1 Press [REMIX].

The [SIDECHAIN REMIX] screen appears on the touch panel.

## 2 Press the [2] button in the [CH] section.

This selects the channel to which the effect is applied.

## 3 Press [EFFECT] and select [SAMPLER].

This selects the type of effect.

Effect Name	Descriptions
OSCILLATOR1 – 4	Sound is created inside this unit, mixed to the sound of the channel selected in the [CH] section, then output according to the [TRIGGER CH (SAMPLING/TRIGGER CH)] trigger.
SAMPLER	The sound of the channel selected at [TRIGGER CH (SAMPLING/TRIGGER CH)] is sampled, mixed to the sound of the channel selected in the [CH] section, then output according to the [TRIGGER CH (SAMPLING/TRIGGER CH)] trigger.
PITCH	The pitch of the sound of the channel selected in the [CH] section is changed, mixed with the channel selected in the [CH] section, then output according to the [TRIGGER CH (SAMPLING/TRIGGER CH)] trigger.
GATE	The sound input at [CH] is output according to the [TRIGGER CH (SAMPLING/TRIGGER CH)] trigger.

- It is not possible to select multiple effects simultaneously.

## 4 Press [TRIGGER (SAMPLING/TRIGGER)].

The [TRIGGER] menu appears.

## 5 At [TRIGGER CH (SAMPLING/TRIGGER CH)], select [CH3].

This selects the channel to be used as the effect trigger.

- When [SAME] is pressed, the same channel as the one selected in the [CH] section is selected as the trigger.

## 6 At [TRIGGER BAND], press [MID] and [HI].

This selects the frequency band set as the effect trigger. Only [LOW] (the bass sound) is selected.

## 7 Press [ON/OFF].

This turns the effect on.

[ON/OFF] flashes when the effect is turned on.

## 8 Touch the control area.

[○] appears at the point at which the panel was touched.

The [CH3] sound at the point in the control area that was touched. Triggered by the low frequency sound of [CH3], the sampled sound is mixed with the sound of [CH2] (which is continuing to play normally) and output from the [MASTER] terminals.

The effect changes when the position touched in the control area is changed.

- The effect turns off when [ON/OFF] is pressed again.
- The sampled sound is only valid while the control area is being touched.
- To switch from the [SIDECHAIN REMIX] to the [FREQUENCY MIX] mode, first press the [ON/OFF] button to turn the effect off, then press [MIX].

### ❖ Using [HOLD]

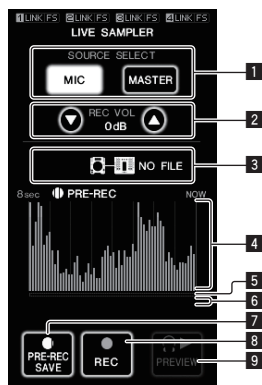
When [HOLD] is turned on, effect's parameter information is held even if the effect is turned off. The parameter information is cleared when [HOLD] is turned off.

- The parameter information and sampled sound are cleared when the effect is switched.

## LIVE SAMPLER

The sound input to the [MIC] terminal or the sound output from the [MASTER] terminals can be sampled and played on a PRO DJ LINK-compatible Pioneer DJ player.

Connect this unit and PRO DJ LINK-compatible Pioneer DJ player in advance. For instructions on connections, see *Connecting input terminals* on page 8.



1	SOURCE SELECT	Select the source to be sampled here.
2	REC VOLUME	Use these to adjust the volume for recording. The volume can be adjusted in the range -9 dB to +9 dB.
3	Status indicator	This indicates this unit's status and whether or not sampling data is available.
4	Waveform display	This displays the sound as a waveform.
5	Playing address display	This displays the sound as a bar graph. This is only displayed when previewing the sound.

6	Slider	The sound is played from the position at which the touch panel was touched. This is only displayed when previewing the sound.
7	PRE-REC SAVE	The sound is sampled from a point 8 seconds before the button was pressed.
8	REC (REC STOP)	The sound is sampled for up to 8 seconds from the point at which the button is pressed.
9	PREVIEW (STOP)	Use this to preview the sampled sound over the headphones.

### ❖ Sampling the sound being played

#### 1 Press [LIVE SAMPLER].

The [LIVE SAMPLER] screen appears on the touch panel.

#### 2 Press [MIC] or [MASTER] in the [SOURCE SELECT].

This selects the channel to be sampled.

#### 3 Press [REC (REC STOP)].

The sound of the channel selected at step 2 is sampled from the point at which [REC (REC STOP)] was pressed.

- Sampling is possible for up to 8 seconds.
- Sampling stops automatically once 8 seconds have elapsed after [REC (REC STOP)] was pressed.

#### 4 Press [REC (REC STOP)].

Sampling stops. The sample saving screen is displayed.

### ❖ Sampling the sound from the point 8 seconds before

#### 1 Press [LIVE SAMPLER].

The [LIVE SAMPLER] screen appears on the touch panel.

#### 2 Press [MIC] or [MASTER] in the [SOURCE SELECT].

This selects the channel to be sampled.

#### 3 Press [PRE-REC SAVE].

The sound for the channel selected in step 2 is sampled from the point 8 seconds before [PRE-REC SAVE] was pressed.

- Sampling is possible for up to 8 seconds.

### ❖ Previewing the sampled sound

#### 1 Press the [CUE] button to the left of the touch panel.

#### 2 Press [PREVIEW (STOP)].

The position being played is displayed at the playing address and slider displays.

- When the touch panel's slider is touched, the sampled sound is played from that position.

### ❖ Playing the sampled sound on the DJ player

Use PRO DJ LINK to access this unit from the DJ player.

The sampled sound (audio file) can be loaded and played on the DJ player.

## INST FX

This effect changes in association with the [FILTER] controls for the individual channels.

### 1 Press one of the [INST FX] buttons.

This selects the type of effect.

The button that was pressed flashes.

- The same effect is set for [CH1] to [CH4].

### 2 Turn the [FILTER] control.

The effect is applied to the channel(s) for which the control(s) was (were) pressed.

Effect Name	Descriptions	FILTER (parameter 1)	PARAMETER (parameter 2)
NOISE	White noise generated inside this unit is mixed in to the sound of the channel via the filter and output.	Sets the cut-off frequency for the filter through which the white noise passes.	Sets the volume of the white noise.
ZIP	Lowers the pitch of the channel's sound for output.	Sets the amount of pitch shifting for lowering the pitch.	Sets the balance between the original sound and the effect sound.
CRUSH	Changes the channel's sound to a crushed sound for output.	Sets the degree by which the input sound is crushed.	The further the control is turned clockwise, the more the effect is stressed.
JET	Adds a flanger effect for output.	Sets the flanger effect.	The further the control is turned clockwise, the more the effect is stressed.



Effect Name	Descriptions	FILTER (parameter 1)	PARAMETER (parameter 2)
HPF	Outputs the sound through the high-pass filter.	Sets the filter's cut-off frequency.	The further the control is turned clockwise, the more the effect is stressed.
LPF	Outputs the sound through the low-pass filter.	Sets the filter's cut-off frequency.	The further the control is turned clockwise, the more the effect is stressed.

### ❖ Adjusting the effect of the effect sound

#### Turn the [PARAMETER] control.

The further the control is turned clockwise, the more the effect is stressed. When turned all the way counterclockwise, the effect is minimum.

## BEAT EFFECT

This function lets you instantaneously set various effects according to the tempo (BPM = Beats Per Minute) of the currently playing track.



<b>1</b>	<b>AUTO (TAP)</b>	[AUTO] lights when the BPM measurement mode is set to the auto mode. [TAP] lights when in the manual input mode.
<b>2</b>	<b>BPM value display (3 digits)</b>	When in the auto mode, this displays the automatically detected BPM value. When the BPM cannot be detected, the previously detected BPM value is displayed and flashes. When in the manual input mode, this displays the BPM value that was input manually.
<b>3</b>	<b>BPM</b>	This is always lit.
<b>4</b>	<b>% (ms)</b>	These light according to the units for the different effects.

#### 1 Press [AUTO/TAP].

Select the BPM measurement mode.

- **AUTO**: The BPM is automatically measured from the input audio signal. AUTO is set when this unit's power is turned on.
- **TAP**: The BPM is input manually by tapping [TAP].
- The BPM measurement range when AUTO is selected is 70 to 180. Depending on the track, it may not be possible to properly measure the BPM. If not, the BPM value flashes on the display. In this case, use the [TAP] button to input the BPM manually.

#### 2 Press one of the [CH SELECT] buttons.

This selects the channel to which the effect is applied.

- **[1] – [4]**: The effect is applied to the sounds of channels [CH1] – [CH4].
- **[MIC]**: The effect is applied to the sound of the [MIC] channel.
- **[A], [B]**: The effect is applied to the sound of the crossfader's [A] (left) or [B] (right) side.
- **[M]**: The effect is applied to the sound of the [MASTER] channel.

#### 3 Press one of the [EFFECT SELECT] buttons.

This selects the type of effect.

- For the types of effects, see *Types of BEAT EFFECT* on page 23.
- When [SEND/RETURN] is selected, see *Using the external effector* below.

#### 4 Press one of the beat buttons.

This selects the beat fraction for synchronizing the effect sound.

The effect time corresponding to the beat fraction is set automatically.

- The beat fraction can be changed by turning [TIME] while pressing the beat button.

#### 5 Press [ON/OFF].

The effect is applied to the sound.

The effect's time parameter can be adjusted by turning the [TIME] control.

The effect's quantity parameter can be adjusted by turning the [LEVEL/DEPTH] control.

[ON/OFF] flashes when the effect is turned on.

- The effect turns off when [ON/OFF] is pressed again.

### ❖ Inputting the BPM manually

#### Tap the [TAP] button at least two times with a finger in (quarter note) beat with the currently playing sound.

The average value of the intervals at which the [TAP] button was tapped is set as the BPM.

- When the BPM is set using the [TAP] button, the beat fraction is set to 1/1, and the time of one beat (one quarter note) is set as the effect time.

- The BPM can be set manually by turning the [TIME] control while pressing the [TAP] button.
- The BPM can be set manually by pressing the beat button while pressing [TAP].
- The BPM can be set in units of 0.1 by turning [TIME] while pressing [TAP] and [AUTO/TAP].

### ❖ Adjusting the amount of effect applied for different frequency bands

#### Turn the [EFFECT FREQUENCY (HI, MID, LOW)] control.

See *Types of BEAT EFFECT* on page 23 for the parameters of the effects that can be adjusted with the different controls.

### ❖ Using the external effector

#### 1 Connect this unit and external effector.

[SEND/RETURN] lights.

For instructions on connections, see *Connecting output terminals* on page 8.

#### 2 Press one of the [CH SELECT] buttons.

This selects the channel to which the effect is applied.

#### 3 Press [SEND/RETURN].

[SEND/RETURN] flashes.

#### 4 Press [ON/OFF].

The sound that has passed through the external effector is output.

- The effect turns off when [ON/OFF] is pressed again.

## Using the MIDI function

### ❖ Operating the DJ software

The DJM-2000 also outputs the operating data for the buttons and dials in MIDI format. If you connect a computer with a built-in MIDI-compatible DJ software via a USB cable, you can operate the DJ software on this unit. Install the DJ software on your computer in advance. Also, adjust audio and MIDI settings for the DJ software.

- For MIDI channel setting instructions, see *Changing the settings* on page 25.

#### 1 Connect this unit's [USB] terminal to the computer.

For details about connections, see *Connecting a computer* on page 9.

#### 2 Start the DJ software.

#### 3 Press [ON/OFF] in the [MIDI] section.

Turn the MIDI function on.

Transmission of the MIDI messages begin.

- When the faders and controls are moved, messages are sent according to the positions of the faders and controls. For messages output by this unit, see *List of MIDI Messages* on page 19.
- MIDI messages for the positions of all the buttons, faders and controls can be sent in a single batch by pressing the [START/STOP] button for at least 2 seconds (Snapshot function).
- The MIDI timing clock (BPM information) is sent regardless of [ON/OFF].
- When [ON/OFF] in the [MIDI] section is pressed again, sending of MIDI messages stops.

### ❖ Sending the MIDI start and MIDI stop messages

#### Press [START/STOP] in the [MIDI] section.

- The MIDI start and MIDI stop messages are sent alternately each time the [START/STOP] button is pressed, regardless of whether the MIDI function is on or off.

## Using the MIDI control screens

This unit is equipped with four types of MIDI control screens. Use them according to your DJ software.

#### 1 Press the [MIDI] button to the right of the touch panel.

The [MIDI CONTROL] screen appears on the touch panel.

#### 2 Select a type, from [TYPE A] to [TYPE D].

This selects the type of MIDI control screen.

- When [PAGE1] or [PAGE2] is pressed, the page being displayed switches.

#### 3 Operate the touch panel buttons or faders.

Transmission of the MIDI messages begin.

For messages output by this unit, see *List of MIDI Messages* on page 19.

---

## Operating an external MIDI sequencer

This unit sends the tempo of the currently playing source (BPM information) as the MIDI timing clock. This can be used to synchronize an external MIDI sequencer with the tempo of the source.

- External MIDI sequencers not supporting MIDI timing clocks cannot be synchronized.
- External MIDI sequencers cannot be synchronized for sources for which the BPM cannot be measured stably.
- MIDI timing clocks are output even for BPM values input manually by tapping the [TAP] button with a finger. The MIDI timing clock output range is 40 BPM to 250 BPM.

**1 Connect the [MIDI OUT] terminal to the external MIDI sequencer's MIDI IN terminal using a commercially available MIDI cable.**

**2 Set the external MIDI sequencer's sync mode to Slave.**

**3 Press [START/STOP].**

The MIDI start message is sent.

**4 Press [ON/OFF] in the [MIDI] section.**

Transmission of the MIDI messages begin.

# List of MIDI Messages

## Control Panel

Category	SW Name	SW Type	MIDI Messages						Trigger/Toggle	Notes
			MSB			LSB				
CH1	TRIM	VR	Bn	01	dd	—	—	—	—	0-127
	HI	VR	Bn	02	dd	—	—	—	—	0-127
	MID	VR	Bn	03	dd	—	—	—	—	0-127
	LOW	VR	Bn	04	dd	—	—	—	—	0-127
	FILTER	VR	Bn	05	dd	—	—	—	—	0-127
	Channel fader	VR	Bn	11	dd	—	—	—	—	0-127
	CROSS FADER ASSIGN	SW	Bn	41	dd	—	—	—	—	0, 64, 127
	CUE	BTN	Bn	46	dd	—	—	—	Trigger/Toggle	OFF=0, ON=127
CH2	TRIM	VR	Bn	06	dd	—	—	—	—	0-127
	HI	VR	Bn	07	dd	—	—	—	—	0-127
	MID	VR	Bn	08	dd	—	—	—	—	0-127
	LOW	VR	Bn	09	dd	—	—	—	—	0-127
	FILTER	VR	Bn	0A	dd	—	—	—	—	0-127
	Channel fader	VR	Bn	12	dd	—	—	—	—	0-127
	CROSS FADER ASSIGN	SW	Bn	42	dd	—	—	—	—	0, 64, 127
	CUE	BTN	Bn	47	dd	—	—	—	Trigger/Toggle	OFF=0, ON=127
CH 3	TRIM	VR	Bn	0C	dd	—	—	—	—	0-127
	HI	VR	Bn	0E	dd	—	—	—	—	0-127
	MID	VR	Bn	0F	dd	—	—	—	—	0-127
	LOW	VR	Bn	15	dd	—	—	—	—	0-127
	FILTER	VR	Bn	16	dd	—	—	—	—	0-127
	Channel fader	VR	Bn	13	dd	—	—	—	—	0-127
	CROSS FADER ASSIGN	SW	Bn	43	dd	—	—	—	—	0, 64, 127
	CUE	BTN	Bn	48	dd	—	—	—	Trigger/Toggle	OFF=0, ON=127
CH4	TRIM	VR	Bn	50	dd	—	—	—	—	0-127
	HI	VR	Bn	51	dd	—	—	—	—	0-127
	MID	VR	Bn	5C	dd	—	—	—	—	0-127
	LOW	VR	Bn	52	dd	—	—	—	—	0-127
	FILTER	VR	Bn	53	dd	—	—	—	—	0-127
	Channel fader	VR	Bn	14	dd	—	—	—	—	0-127
	CROSS FADER ASSIGN	SW	Bn	44	dd	—	—	—	—	0, 64, 127
	CUE	BTN	Bn	49	dd	—	—	—	Trigger/Toggle	OFF=0, ON=127
Crossfader	Crossfader	VR	Bn	0B	dd	—	—	—	—	0-127
CURVE SETTING	CH EQ (ISOLATOR, EQ)	SW	Bn	21	dd	—	—	—	—	0, 127
	CH FADER (↘, ↗)	SW	Bn	5E	dd	—	—	—	—	0, 127
	CROSS FADER (↖, ↗, ✕)	SW	Bn	5F	dd	—	—	—	—	0, 64, 127
MASTER	BALANCE	VR	Bn	17	dd	—	—	—	—	0-127
	MASTER level	VR	Bn	18	dd	—	—	—	—	0-127
	CUE	BTN	Bn	4A	dd	—	—	—	Trigger/Toggle	OFF=0, ON=127
	BOOTH MONITOR	VR	Bn	19	dd	—	—	—	—	0-127
CH SELECT	1	BTN	Bn	22	dd	—	—	—	Trigger/Toggle <sup>[1]</sup>	OFF=0, ON=127
	2	BTN	Bn	23	dd	—	—	—	Trigger/Toggle <sup>[1]</sup>	OFF=0, ON=127
	3	BTN	Bn	24	dd	—	—	—	Trigger/Toggle <sup>[1]</sup>	OFF=0, ON=127
	4	BTN	Bn	25	dd	—	—	—	Trigger/Toggle <sup>[1]</sup>	OFF=0, ON=127
	MIC	BTN	Bn	26	dd	—	—	—	Trigger/Toggle <sup>[1]</sup>	OFF=0, ON=127
	A	BTN	Bn	27	dd	—	—	—	Trigger/Toggle <sup>[1]</sup>	OFF=0, ON=127
	B	BTN	Bn	28	dd	—	—	—	Trigger/Toggle <sup>[1]</sup>	OFF=0, ON=127
M	BTN	Bn	29	dd	—	—	—	Trigger/Toggle <sup>[1]</sup>	OFF=0, ON=127	
BEAT EFFECT	TIME	VR	Bn	0D	MSB	Bn	2D	LSB	—	TIME value (half the value when FILTER or PHASER is selected for EFFECT SELECT)
	ON/OFF	BTN	Bn	40	dd	—	—	—	Trigger/Toggle	OFF=0, ON=127
	AUTO/TAP	BTN	Bn	45	dd	—	—	—	Trigger/Toggle	OFF=0, ON=127
	CUE	BTN	Bn	4B	dd	—	—	—	Trigger/Toggle	OFF=0, ON=127
	TAP	BTN	Bn	4E	dd	—	—	—	Trigger/Trigger	OFF=0, ON=127
	LEVEL/DEPTH	VR	Bn	5B	dd	—	—	—	—	0-127

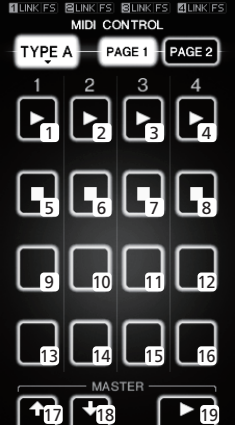

Category	SW Name	SW Type	MIDI Messages						Trigger/Toggle	Notes
			MSB			LSB				
EFFECT SELECT	DELAY	BTN	Bn	2A	dd	—	—	—	Trigger/Toggle <sup>[1]</sup>	OFF=0, ON=127
	MULTI TAP DELAY	BTN	Bn	2B	dd	—	—	—	Trigger/Toggle <sup>[1]</sup>	OFF=0, ON=127
	ROLL	BTN	Bn	2E	dd	—	—	—	Trigger/Toggle <sup>[1]</sup>	OFF=0, ON=127
	REV ROLL	BTN	Bn	2F	dd	—	—	—	Trigger/Toggle <sup>[1]</sup>	OFF=0, ON=127
	TRANS	BTN	Bn	35	dd	—	—	—	Trigger/Toggle <sup>[1]</sup>	OFF=0, ON=127
	GATE	BTN	Bn	3D	dd	—	—	—	Trigger/Toggle <sup>[1]</sup>	OFF=0, ON=127
	ECHO	BTN	Bn	37	dd	—	—	—	Trigger/Toggle <sup>[1]</sup>	OFF=0, ON=127
	REVERB	BTN	Bn	36	dd	—	—	—	Trigger/Toggle <sup>[1]</sup>	OFF=0, ON=127
	SLIP ROLL	BTN	Bn	3A	dd	—	—	—	Trigger/Toggle <sup>[1]</sup>	OFF=0, ON=127
	FILTER	BTN	Bn	3B	dd	—	—	—	Trigger/Toggle <sup>[1]</sup>	OFF=0, ON=127
	PHASER	BTN	Bn	39	dd	—	—	—	Trigger/Toggle <sup>[1]</sup>	OFF=0, ON=127
SEND/RETURN	BTN	Bn	3E	dd	—	—	—	Trigger/Toggle <sup>[1]</sup>	OFF=0, ON=127	
EFFECT FREQUENCY	HI	VR	Bn	66	dd	—	—	—	—	0-127
	MID	VR	Bn	67	dd	—	—	—	—	0-127
	LOW	VR	Bn	68	dd	—	—	—	—	0-127
INST FX	NOISE	BTN	Bn	55	dd	—	—	—	Trigger/Toggle <sup>[1]</sup>	OFF=0, ON=127
	ZIP	BTN	Bn	56	dd	—	—	—	Trigger/Toggle <sup>[1]</sup>	OFF=0, ON=127
	CRUSH	BTN	Bn	57	dd	—	—	—	Trigger/Toggle <sup>[1]</sup>	OFF=0, ON=127
	JET	BTN	Bn	69	dd	—	—	—	Trigger/Toggle <sup>[1]</sup>	OFF=0, ON=127
	HPF	BTN	Bn	6A	dd	—	—	—	Trigger/Toggle <sup>[1]</sup>	OFF=0, ON=127
	LPF	BTN	Bn	6B	dd	—	—	—	Trigger/Toggle <sup>[1]</sup>	OFF=0, ON=127
MIC	PARAMETER	VR	Bn	6C	dd	—	—	—	—	0-127
	HI	VR	Bn	1E	dd	—	—	—	—	0-127
HEADPHONES	LOW	VR	Bn	1F	dd	—	—	—	—	0-127
	LEVEL	VR	Bn	1A	dd	—	—	—	—	0-127
LINK	MIXING	VR	Bn	1B	dd	—	—	—	—	0-127
	CUE	BTN	Bn	73	dd	—	—	—	Trigger/Toggle	OFF=0, ON=127
Touch panel control	CUE	BTN	Bn	6E	dd	—	—	—	Trigger/Toggle	OFF=0, ON=127
	MIDI	BTN	Bn	6F	dd	—	—	—	Trigger/Toggle	OFF=0, ON=127
	MIX	BTN	Bn	70	dd	—	—	—	Trigger/Toggle <sup>[1]</sup>	OFF=0, ON=127
	REMIX	BTN	Bn	71	dd	—	—	—	Trigger/Toggle <sup>[1]</sup>	OFF=0, ON=127
	ON/OFF	BTN	Bn	72	dd	—	—	—	Trigger/Toggle	OFF=0, ON=127
MIDI	START	BTN	FA	—	—	—	—	—	—	—
	STOP	BTN	FC	—	—	—	—	—	—	—

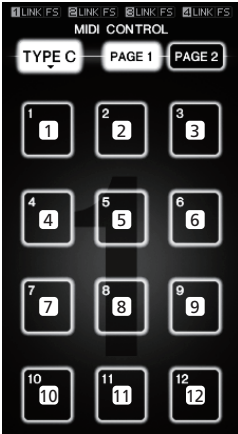
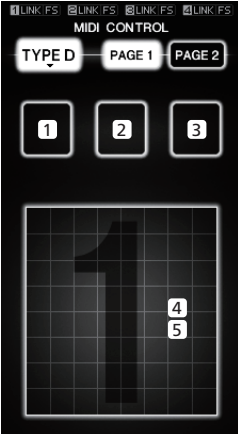
[1] When turning one button on switches another button from on to off, MIDI on and off messages are sent from the two buttons. When there is no button that switches off, only the MIDI on message is sent from the button that was pressed.

## Touch panel

### ❖ FREQUENCY MIX, SIDCHAIN REMIX

Category	SW Name	SW Type	MIDI Messages						Trigger/Toggle	Notes
			MSB			LSB				
FREQUENCY MIX	Touch fader 1	VR	Bn	38	dd	—	—	—	—	0 - 127 (very top of screen)
	Touch fader 2	VR	Bn	4C	dd	—	—	—	—	0-127
	Touch fader 3	VR	Bn	4D	dd	—	—	—	—	0-127
	Touch fader 4	VR	Bn	74	dd	—	—	—	—	0-127
	Touch fader 5	VR	Bn	75	dd	—	—	—	—	0-127
	Touch fader 6	VR	Bn	76	dd	—	—	—	—	0-127
	Touch fader 7	VR	Bn	77	dd	—	—	—	—	0 - 127 (very bottom of screen)
SIDCHAIN REMIX	X axis of control area	VR	Bn	1C	dd	—	—	—	—	0-127
	Y axis of control area	VR	Bn	3C	dd	—	—	—	—	0-127
	LEVEL/DEPTH	VR	Bn	31	dd	—	—	—	—	0-127
	CH1	BTN	9n	49	dd	—	—	—	Trigger/Toggle	OFF=0, ON=127
	CH2	BTN	9n	4A	dd	—	—	—	Trigger/Toggle	OFF=0, ON=127
	CH3	BTN	9n	4B	dd	—	—	—	Trigger/Toggle	OFF=0, ON=127
	CH4	BTN	9n	4C	dd	—	—	—	Trigger/Toggle	OFF=0, ON=127
	TRIGGER CH (SAMPLING/TRIGGER CH) SAME	BTN	9n	51	dd	—	—	—	Trigger/Toggle	OFF=0, ON=127
	TRIGGER CH (SAMPLING/TRIGGER CH) CH1	BTN	9n	52	dd	—	—	—	Trigger/Toggle	OFF=0, ON=127
	TRIGGER CH (SAMPLING/TRIGGER CH) CH2	BTN	9n	53	dd	—	—	—	Trigger/Toggle	OFF=0, ON=127
	TRIGGER CH (SAMPLING/TRIGGER CH) CH3	BTN	9n	54	dd	—	—	—	Trigger/Toggle	OFF=0, ON=127
	TRIGGER CH (SAMPLING/TRIGGER CH) CH4	BTN	9n	55	dd	—	—	—	Trigger/Toggle	OFF=0, ON=127
	TRIGGER BAND LOW	BTN	9n	59	dd	—	—	—	Trigger/Toggle	OFF=0, ON=127
	TRIGGER BAND MID	BTN	9n	5A	dd	—	—	—	Trigger/Toggle	OFF=0, ON=127
TRIGGER BAND HI	BTN	9n	5B	dd	—	—	—	Trigger/Toggle	OFF=0, ON=127	

Category	Switch position	SW Type	MIDI Messages						Trigger/Toggle	Notes
			MSB			LSB				
<b>TYPE A</b> 	[PAGE1]-9	BTN	9n	5D	dd	—	—	—	Trigger/Toggle	OFF=0, ON=127
	[PAGE1]-10	BTN	9n	5E	dd	—	—	—	Trigger/Toggle	OFF=0, ON=127
	[PAGE1]-11	BTN	9n	5F	dd	—	—	—	Trigger/Toggle	OFF=0, ON=127
	[PAGE1]-12	BTN	9n	60	dd	—	—	—	Trigger/Toggle	OFF=0, ON=127
	[PAGE1]-13	BTN	9n	61	dd	—	—	—	Trigger/Toggle	OFF=0, ON=127
	[PAGE1]-14	BTN	9n	62	dd	—	—	—	Trigger/Toggle	OFF=0, ON=127
	[PAGE1]-15	BTN	9n	63	dd	—	—	—	Trigger/Toggle	OFF=0, ON=127
	[PAGE1]-16	BTN	9n	64	dd	—	—	—	Trigger/Toggle	OFF=0, ON=127
	[PAGE1]-5	BTN	9n	65	dd	—	—	—	Trigger/Toggle	OFF=0, ON=127
	[PAGE1]-6	BTN	9n	66	dd	—	—	—	Trigger/Toggle	OFF=0, ON=127
	[PAGE1]-7	BTN	9n	67	dd	—	—	—	Trigger/Toggle	OFF=0, ON=127
	[PAGE1]-8	BTN	9n	68	dd	—	—	—	Trigger/Toggle	OFF=0, ON=127
	[PAGE1]-1	BTN	9n	69	dd	—	—	—	Trigger/Toggle	OFF=0, ON=127
	[PAGE1]-2	BTN	9n	6A	dd	—	—	—	Trigger/Toggle	OFF=0, ON=127
	[PAGE1]-3	BTN	9n	6B	dd	—	—	—	Trigger/Toggle	OFF=0, ON=127
	[PAGE1]-4	BTN	9n	6C	dd	—	—	—	Trigger/Toggle	OFF=0, ON=127
	[PAGE1], [PAGE2]-17	BTN	9n	7D	dd	—	—	—	Trigger/Toggle	OFF=0, ON=127
	[PAGE1], [PAGE2]-18	BTN	9n	7E	dd	—	—	—	Trigger/Toggle	OFF=0, ON=127
	[PAGE1], [PAGE2]-19	BTN	9n	7F	dd	—	—	—	Trigger/Toggle	OFF=0, ON=127
	[PAGE2]-9	BTN	9n	6D	dd	—	—	—	Trigger/Toggle	OFF=0, ON=127
	[PAGE2]-10	BTN	9n	6E	dd	—	—	—	Trigger/Toggle	OFF=0, ON=127
	[PAGE2]-11	BTN	9n	6F	dd	—	—	—	Trigger/Toggle	OFF=0, ON=127
	[PAGE2]-12	BTN	9n	70	dd	—	—	—	Trigger/Toggle	OFF=0, ON=127
	[PAGE2]-13	BTN	9n	71	dd	—	—	—	Trigger/Toggle	OFF=0, ON=127
	[PAGE2]-14	BTN	9n	72	dd	—	—	—	Trigger/Toggle	OFF=0, ON=127
	[PAGE2]-15	BTN	9n	73	dd	—	—	—	Trigger/Toggle	OFF=0, ON=127
	[PAGE2]-16	BTN	9n	74	dd	—	—	—	Trigger/Toggle	OFF=0, ON=127
	[PAGE2]-5	BTN	9n	75	dd	—	—	—	Trigger/Toggle	OFF=0, ON=127
	[PAGE2]-6	BTN	9n	76	dd	—	—	—	Trigger/Toggle	OFF=0, ON=127
	[PAGE2]-7	BTN	9n	77	dd	—	—	—	Trigger/Toggle	OFF=0, ON=127
	[PAGE2]-8	BTN	9n	78	dd	—	—	—	Trigger/Toggle	OFF=0, ON=127
	[PAGE2]-1	BTN	9n	79	dd	—	—	—	Trigger/Toggle	OFF=0, ON=127
	[PAGE2]-2	BTN	9n	7A	dd	—	—	—	Trigger/Toggle	OFF=0, ON=127
	[PAGE2]-3	BTN	9n	7B	dd	—	—	—	Trigger/Toggle	OFF=0, ON=127
	[PAGE2]-4	BTN	9n	7C	dd	—	—	—	Trigger/Toggle	OFF=0, ON=127
	<b>TYPE B</b> 	[PAGE1]-9	VR	Bn	01	dd	—	—	—	—
[PAGE1]-10		VR	Bn	02	dd	—	—	—	—	0-127
[PAGE1]-11		VR	Bn	03	dd	—	—	—	—	0-127
[PAGE1]-12		VR	Bn	04	dd	—	—	—	—	0-127
[PAGE2]-9		VR	Bn	05	dd	—	—	—	—	0-127
[PAGE2]-10		VR	Bn	06	dd	—	—	—	—	0-127
[PAGE2]-11		VR	Bn	07	dd	—	—	—	—	0-127
[PAGE2]-12		VR	Bn	08	dd	—	—	—	—	0-127
[PAGE1]-1		BTN	9n	30	dd	—	—	—	Trigger/Toggle	OFF=0, ON=127
[PAGE1]-2		BTN	9n	31	dd	—	—	—	Trigger/Toggle	OFF=0, ON=127
[PAGE1]-3		BTN	9n	32	dd	—	—	—	Trigger/Toggle	OFF=0, ON=127
[PAGE1]-4		BTN	9n	33	dd	—	—	—	Trigger/Toggle	OFF=0, ON=127
[PAGE1]-5		BTN	9n	34	dd	—	—	—	Trigger/Toggle	OFF=0, ON=127
[PAGE1]-6		BTN	9n	35	dd	—	—	—	Trigger/Toggle	OFF=0, ON=127
[PAGE1]-7		BTN	9n	36	dd	—	—	—	Trigger/Toggle	OFF=0, ON=127
[PAGE1]-8		BTN	9n	37	dd	—	—	—	Trigger/Toggle	OFF=0, ON=127
[PAGE2]-1		BTN	9n	38	dd	—	—	—	Trigger/Toggle	OFF=0, ON=127
[PAGE2]-2		BTN	9n	39	dd	—	—	—	Trigger/Toggle	OFF=0, ON=127
[PAGE2]-3		BTN	9n	3A	dd	—	—	—	Trigger/Toggle	OFF=0, ON=127
[PAGE2]-4		BTN	9n	3B	dd	—	—	—	Trigger/Toggle	OFF=0, ON=127
[PAGE2]-5		BTN	9n	48	dd	—	—	—	Trigger/Toggle	OFF=0, ON=127
[PAGE2]-6		BTN	9n	49	dd	—	—	—	Trigger/Toggle	OFF=0, ON=127
[PAGE2]-7		BTN	9n	4A	dd	—	—	—	Trigger/Toggle	OFF=0, ON=127
[PAGE2]-8		BTN	9n	4B	dd	—	—	—	Trigger/Toggle	OFF=0, ON=127

Category	Switch position	SW Type	MIDI Messages						Trigger/Toggle	Notes
			MSB		LSB					
<b>TYPE C</b> 	[PAGE1]-1	BTN	9n	3C	dd	—	—	—	Trigger/Toggle	OFF=0, ON=127
	[PAGE1]-2	BTN	9n	3D	dd	—	—	—	Trigger/Toggle	OFF=0, ON=127
	[PAGE1]-3	BTN	9n	3E	dd	—	—	—	Trigger/Toggle	OFF=0, ON=127
	[PAGE1]-4	BTN	9n	3F	dd	—	—	—	Trigger/Toggle	OFF=0, ON=127
	[PAGE1]-5	BTN	9n	40	dd	—	—	—	Trigger/Toggle	OFF=0, ON=127
	[PAGE1]-6	BTN	9n	41	dd	—	—	—	Trigger/Toggle	OFF=0, ON=127
	[PAGE1]-7	BTN	9n	42	dd	—	—	—	Trigger/Toggle	OFF=0, ON=127
	[PAGE1]-8	BTN	9n	43	dd	—	—	—	Trigger/Toggle	OFF=0, ON=127
	[PAGE1]-9	BTN	9n	44	dd	—	—	—	Trigger/Toggle	OFF=0, ON=127
	[PAGE1]-10	BTN	9n	45	dd	—	—	—	Trigger/Toggle	OFF=0, ON=127
	[PAGE1]-11	BTN	9n	46	dd	—	—	—	Trigger/Toggle	OFF=0, ON=127
	[PAGE1]-12	BTN	9n	47	dd	—	—	—	Trigger/Toggle	OFF=0, ON=127
	[PAGE2]-1	BTN	9n	24	dd	—	—	—	Trigger/Toggle	OFF=0, ON=127
	[PAGE2]-2	BTN	9n	25	dd	—	—	—	Trigger/Toggle	OFF=0, ON=127
	[PAGE2]-3	BTN	9n	26	dd	—	—	—	Trigger/Toggle	OFF=0, ON=127
	[PAGE2]-4	BTN	9n	27	dd	—	—	—	Trigger/Toggle	OFF=0, ON=127
	[PAGE2]-5	BTN	9n	28	dd	—	—	—	Trigger/Toggle	OFF=0, ON=127
	[PAGE2]-6	BTN	9n	29	dd	—	—	—	Trigger/Toggle	OFF=0, ON=127
	[PAGE2]-7	BTN	9n	2A	dd	—	—	—	Trigger/Toggle	OFF=0, ON=127
	[PAGE2]-8	BTN	9n	2B	dd	—	—	—	Trigger/Toggle	OFF=0, ON=127
	[PAGE2]-9	BTN	9n	2C	dd	—	—	—	Trigger/Toggle	OFF=0, ON=127
	[PAGE2]-10	BTN	9n	2D	dd	—	—	—	Trigger/Toggle	OFF=0, ON=127
	[PAGE2]-11	BTN	9n	2E	dd	—	—	—	Trigger/Toggle	OFF=0, ON=127
	[PAGE2]-12	BTN	9n	2F	dd	—	—	—	Trigger/Toggle	OFF=0, ON=127
<b>TYPE D</b> 	[PAGE1]-1	BTN	9n	57	dd	—	—	—	Trigger/Toggle	OFF=0, ON=127
	[PAGE1]-2	BTN	9n	58	dd	—	—	—	Trigger/Toggle	OFF=0, ON=127
	[PAGE1]-3	BTN	9n	59	dd	—	—	—	Trigger/Toggle	OFF=0, ON=127
	[PAGE1]-4	VR	Bn	1C	dd	—	—	—	—	0-127
	[PAGE1]-5	VR	Bn	3C	dd	—	—	—	—	0-127
	[PAGE2]-1	BTN	9n	5A	dd	—	—	—	Trigger/Toggle	OFF=0, ON=127
	[PAGE2]-2	BTN	9n	5B	dd	—	—	—	Trigger/Toggle	OFF=0, ON=127
	[PAGE2]-3	BTN	9n	5C	dd	—	—	—	Trigger/Toggle	OFF=0, ON=127
	[PAGE2]-4	VR	Bn	31	dd	—	—	—	—	0-127
	[PAGE2]-5	VR	Bn	32	dd	—	—	—	—	0-127

## Types of BEAT EFFECT

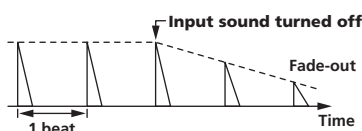
### DELAY<sup>1</sup>



This function outputs a delay sound once according to the beat button's fraction. When 1/2 beat delay sound is added, 4 beats become 8 beats.

Beat buttons (parameter 1)	Use these to set the delay time from <b>1/8</b> to <b>4/1</b> with respect to 1 beat of BPM time.
TIME (parameter 2)	Use this to set the delay time. <b>1</b> to <b>4000</b> (ms)
LEVEL/DEPTH (parameter 3)	Use this to set the balance between the original sound and the delay sound.
EFFECT FREQUENCY (parameter 4)	Use these to set the balance between the original sound and the delay sound for the different bands.

### ECHO<sup>1 2</sup>

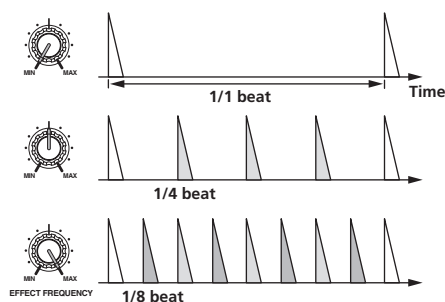


This function outputs increasingly attenuated delay sounds several times according to the beat button's fraction.

With 1/1 beat echoes, the delay sounds are faded out according to the track's tempo even after the input sound has been cut.

Beat buttons (parameter 1)	Use these to set the delay time from <b>1/8</b> to <b>4/1</b> with respect to 1 beat of BPM time.
TIME (parameter 2)	Use this to set the delay time. <b>1</b> to <b>4000</b> (ms)
LEVEL/DEPTH (parameter 3)	Use this to set the balance between the original sound and the echo sound.
EFFECT FREQUENCY (parameter 4)	Use these to set the balance between the original sound and the echo for the different bands.

### MULTI TAP DELAY<sup>1</sup>



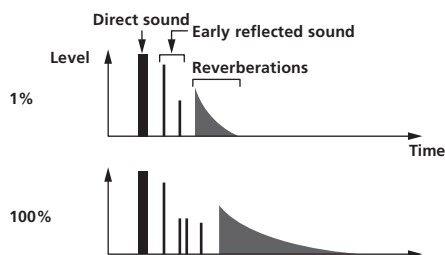
This function outputs up to 7 delay sounds in 1/8 units, according to the beat button's fraction.

The volume of the delay sound can be adjusted with the [EFFECT FREQUENCY] controls.

The volume of the odd delay sounds is adjusted from [MIN] to the center position, the volume of the even delay sounds is adjusted from the center position to [MAX].

Beat buttons (parameter 1)	The effect time is set from <b>1/8</b> to <b>4/1</b> with respect to 1 beat of BPM time.
TIME (parameter 2)	Use this to set the delay time. <b>10</b> to <b>4000</b> (ms)
LEVEL/DEPTH (parameter 3)	Use this to set the balance between the original sound and the delay sound.
EFFECT FREQUENCY (parameter 4)	This sets the volume of the delay sound for the different bands.

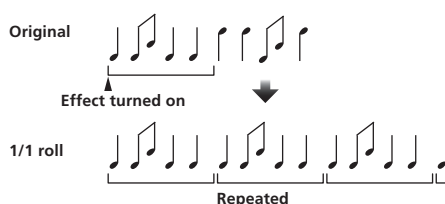
### REVERB<sup>1 2</sup>



This function adds a reverberation effect to the input sound.

Beat buttons (parameter 1)	These set the degree of the reverb effect from <b>1</b> to <b>100</b> %.
TIME (parameter 2)	Use this to set the degree of the reverb effect. <b>1</b> to <b>100</b> (%)
LEVEL/DEPTH (parameter 3)	Sets the balance between the original sound and the effect sound.
EFFECT FREQUENCY (parameter 4)	Use these to set the balance between the original sound and the effect sound for the different bands.

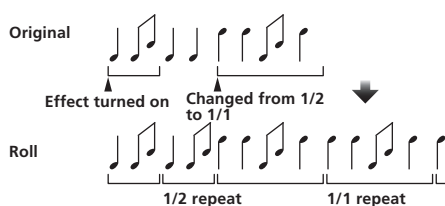
### ROLL<sup>1 2</sup>



This function records the input sound at the point at which the [ON/OFF] button is pressed and repeats the recorded sound according to the beat button's fraction.

Beat buttons (parameter 1)	The effect time is set from <b>1/8</b> to <b>4/1</b> with respect to 1 beat of BPM time.
TIME (parameter 2)	Use this to set the effect time. <b>10</b> to <b>4000</b> (ms)
LEVEL/DEPTH (parameter 3)	Use this to set the balance between the original sound and the ROLL.
EFFECT FREQUENCY (parameter 4)	Use these to set the balance between the original sound and the ROLL for the different bands.

### SLIP ROLL<sup>1 2</sup>



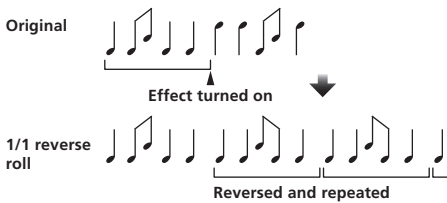
This function records the input sound at the point at which the [ON/OFF] button is pressed and repeats the recorded sound according to the beat button's fraction.

When the effect time changes, the input sound is recorded again.

Beat buttons (parameter 1)	The effect time is set from <b>1/8</b> to <b>4/1</b> with respect to 1 beat of BPM time.
TIME (parameter 2)	Use this to set the effect time. <b>10</b> to <b>4000</b> (ms)
LEVEL/DEPTH (parameter 3)	Use this to set the balance between the original sound and the ROLL.
EFFECT FREQUENCY (parameter 4)	Use these to set the balance between the original sound and the ROLL for the different bands.



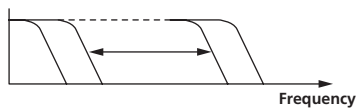
## REV ROLL <sup>1</sup> <sup>2</sup>



This function records the input sound at the point at which the [ON/OFF] button is pressed, reverses the recorded sound and repeats it according to the beat button's fraction.

Beat buttons (parameter 1)	The effect time is set from <b>1/8</b> to <b>4/1</b> with respect to 1 beat of BPM time.
TIME (parameter 2)	Use this to set the effect time. <b>10</b> to <b>4000</b> (ms)
LEVEL/DEPTH (parameter 3)	Use this to set the balance between the original sound and <b>ROLL</b> .
EFFECT FREQUENCY (parameter 4)	Use these to set the balance between the original sound and the <b>ROLL</b> for the different bands.

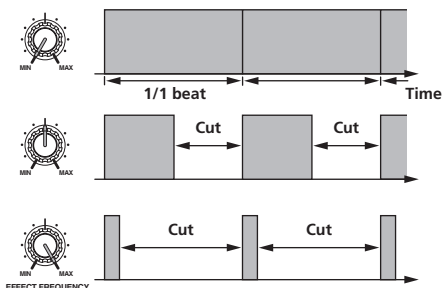
## FILTER <sup>1</sup>



This function changes the filter's cut-off frequency according to the beat button's fraction.

Beat buttons (parameter 1)	These set the cycle for moving the cut-off frequency from <b>1/8</b> to <b>4/1</b> with respect to 1 beat of BPM time.
TIME (parameter 2)	Use this to set the cycle at which the cut-off frequency is moved. <b>10</b> to <b>32000</b> (ms)
LEVEL/DEPTH (parameter 3)	The further the control is turned clockwise, the more the effect is stressed.
EFFECT FREQUENCY (parameter 4)	These set the balance between the original sound and the effect sound for the different bands.

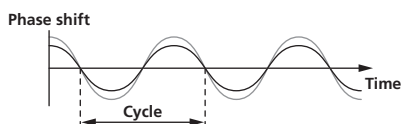
## TRANS <sup>1</sup>



This function cuts the sound according to the beat button's fraction. The amount of the sound to be cut can be changed at [EFFECT FREQUENCY].

Beat buttons (parameter 1)	These set the <b>1/8</b> to <b>4/1</b> cut time with respect to 1 beat of BPM time.
TIME (parameter 2)	Use this to set the effect time. <b>10</b> to <b>16000</b> (ms)
LEVEL/DEPTH (parameter 3)	Sets the balance between the original sound and the effect sound.
EFFECT FREQUENCY (parameter 4)	This sets the amount of the original sound to be cut for the different bands.

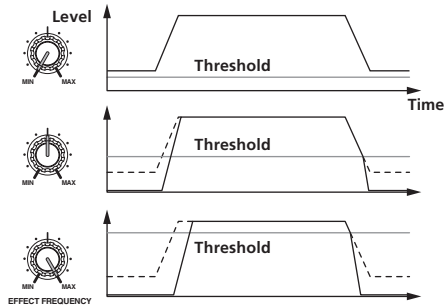
## PHASER <sup>1</sup>



The phaser effect changes according to the beat button fraction.

Beat buttons (parameter 1)	These set the cycle for moving the phaser effect by <b>1/8</b> to <b>4/1</b> with respect to the time of one BPM beat.
TIME (parameter 2)	This sets the cycle by which the phaser effect is moved. <b>10</b> to <b>32000</b> (ms)
LEVEL/DEPTH (parameter 3)	The further the control is turned clockwise, the more the effect is stressed. When turned all the way counterclockwise, only the original sound is output.
EFFECT FREQUENCY (parameter 4)	Use these to set the balance between the original sound and the effect sound for the different bands.

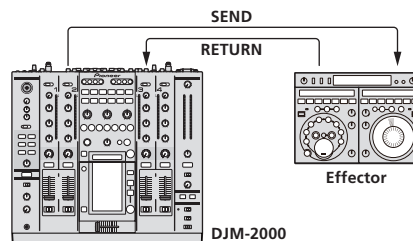
## GATE <sup>1</sup>



This function outputs the input sound that has a level above the threshold level, cutting the input sound that has a level below the threshold level. The threshold level can be changed at [EFFECT FREQUENCY].

Beat buttons (parameter 1)	This sets the release time between <b>1</b> and <b>100</b> %.
TIME (parameter 2)	This sets the release time. <b>1</b> to <b>100</b> (%)
LEVEL/DEPTH (parameter 3)	Sets the threshold level. The further the control is turned clockwise, the more the effect is stressed and the sound is cut.
EFFECT FREQUENCY (parameter 4)	Use these to set the threshold levels for the different bands.

## SEND/RETURN <sup>1</sup>



Connect an external effector, etc., here. [EFFECT FREQUENCY] can be used as an isolator.

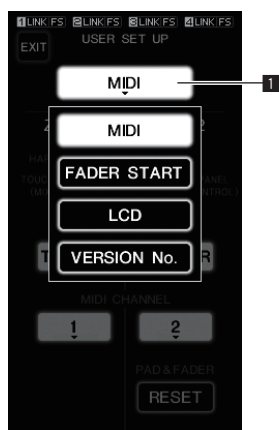
Beat buttons (parameter 1)	—
TIME (parameter 2)	—
LEVEL/DEPTH (parameter 3)	This adjusts the sound level input to the [RETURN] terminal.
EFFECT FREQUENCY (parameter 4)	This sets the audio output level of the RETURN sound for the different bands.

<sup>1</sup> When "A", "B" or "M" is selected with the [CH SELECT] buttons, the effect sound cannot be monitored by pressing [CUE] (BEAT EFFECT) unless the sound for the channel you want to monitor is being output from [MASTER] channel.

<sup>2</sup> When BEAT EFFECT is off, the effect sound cannot be monitored by pressing [CUE] (BEAT EFFECT).



# Changing the settings



1 Setup item button

## 1 Press [LIVE SAMPLER (UTILITY, WAKE UP)] for at least 1 seconds.

The [USER SETUP] screen appears.

The [LIVE SAMPLER (UTILITY, WAKE UP)] indicator flashes.

- To display the [CLUB SETUP] screen, first turn this unit's power off, then press [POWER] while pressing [LIVE SAMPLER (UTILITY, WAKE UP)].

## 2 Press the setup item button.

The selection items appear.

## 3 Select the setup item.

Select the item on the touch panel and enter it.

## 4 Change the item's setting.

Select the item on the touch panel and enter it.

- Press [SAVE] to save the changes to the [CLUB SETUP] screen.

## 5 Press [EXIT].

The [USER SETUP] screen closes.

- To close the [CLUB SETUP] screen, press [POWER] to turn this unit's power off.

## Setting preferences

Settings indicated in *italics* are the default settings set upon purchase.

Mode	Options settings	Selection item 1	Selection item 2	Selection item 3	Descriptions	
USER SETUP	MIDI	ZONE1 <sup>1</sup>	BUTTON ACTION	<i>TOGGLE</i> TRIGGER	Select the MIDI signal sending method, [TOGGLE] or [TRIGGER].	
			MIDI CHANNEL	1, 2, to 16	Sets the MIDI channel.	
		ZONE2 <sup>2</sup>	BUTTON ACTION	<i>TOGGLE</i> TRIGGER	Select the MIDI signal sending method, [TOGGLE] or [TRIGGER].	
			MIDI CHANNEL	1, 2, to 16	Sets the MIDI channel.	
	FADER START	LINK	CH1 to CH4	ON, OFF	Turns the fader start function of the DJ players connected to the [LINK] terminals on and off.	
		CONTROL	CH2, CH3	ON, OFF	Turns the fader start function of the DJ players connected to the [CONTROL] terminals on and off.	
	LCD	BACK LIGHT	1, 2, 3, 4, 5	—	Adjusts the touch panel's brightness.	
	VERSION No.	—	—	—	Displays the DJM-2000's software version.	
	CLUB SETUP	SYSTEM	DIGITAL OUT MAX LEVEL	-19 dB, -15 dB, -10 dB, -5 dB	—	Adjusts the maximum audio level output from the [DIGITAL OUT] terminal.
			DIGITAL SAMPLING RATE	48 kHz, <i>96 kHz</i>	—	Switches the digital signal sampling rate.
AUTO STANDBY			ON, OFF	—	Turns the auto standby function on and off.	
MIC		OUTPUT TO BOOTH MONITOR	ON, OFF	—	Sets whether or not to output the microphone's audio signals from [BOOTH] terminals.	
		TALK OVER THRESHOLD LEVEL	-25 dB, -20 dB, -15 dB, -10 dB	—	Sets the talkover sensitivity. The talkover function is activated when a sound with a volume above the set volume is input to the microphone.	
TOUCH PANEL		TALK OVER LEVEL	-25 dB, -20 dB, -15 dB, -10 dB	—	Sets the attenuation level for the sound other than the microphone's sound when the talkover function is activated.	
		FACTORY RESET	YES, NO	—	Restores all the settings to their factory defaults.	

<sup>1</sup> Changes the MIDI settings of the buttons on the control panel, [FREQUENCY MIX] and [SIDECHAIN REMIX].

<sup>2</sup> Changes the MIDI settings for [TYPE A] to [TYPE D] on the MIDI control screen.

## About the auto standby function

When [AUTO STANDBY] is set to [ON], the standby mode is set automatically if 4 hours pass with all of the conditions below met.

- That none of this unit's buttons or controls are operated.
- That no audio signals of -10 dB or greater are input to this unit's input terminals.
- That no PRO DJ LINK connections are made.
- The standby mode is canceled when [LIVE SAMPLER (UTILITY, WAKE UP)] is pressed.

# Additional information

## Troubleshooting

- Incorrect operation is often mistaken for trouble or malfunction. If you think that there is something wrong with this component, check the points below. Sometimes the trouble may lie in another component. Inspect the other components and electrical appliances being used. If the trouble cannot be rectified after checking the items below, ask your nearest Pioneer authorized service center or your dealer to carry out repair work.
- The player may not operate properly due to static electricity or other external influences. In such cases, normal operation may be restored by unplugging the power cord then plugging it back in.

Problem	Check	Remedy
The power is not turned on.	Is the power cord properly connected?	Plug in the power cord to an AC outlet.
No sound or small sound.	Is the [CD/DIGITAL, PHONO, LINE, USB */*] switch set to the proper position?	Switch the [CD/DIGITAL, PHONO, LINE, USB */*] switch to the channel's input source. (page 13)
	Are the [CD, DIGITAL] switches on the rear panel properly set?	Set the [CD, DIGITAL] switches according to the devices to be played. (page 13)
	Are the connection cables properly connected?	Connect the connection cables properly. (page 8)
	Are the terminals and plugs dirty?	Clean the terminals and plugs before making connections.
	Is the [MASTER ATT.] switch on the rear panel set to [-6 dB], etc.?	Switch the [MASTER ATT.] switch. (page 7)
Digital sound cannot be output.	Is the digital audio output's sampling frequency (fs) suited for the specifications of the connected device?	On the [CLUB SETUP] screen, set [DIGITAL SAMPLING RATE] according to the specifications of the connected equipment. (page 25)
Distorted sound.	Is the level of audio output from the microphone channel properly set?	Adjust the [MASTER] control so that the master channel level indicator lights at about [0 dB] at the peak level. (page 13) Set [MASTER ATT.] to [-3 dB] or [-6 dB]. (page 7)
	Is the level of audio input to each channel properly set?	Adjust the [TRIM] control so that the channel level indicator lights at about [0 dB] at the peak level. (page 13)
Can't crossfade.	Is the [CROSS FADER ASSIGN] switch properly set?	Set the channel's [CROSS FADER ASSIGN] switch properly. (page 13)
Can't fader start a DJ player.	Is [FADER START] set to off?	Set [FADER START] to on at the [USER SETUP] screen. (page 14)
	Is the DJ player properly connected to the [CONTROL] terminal?	Connect the [CONTROL] terminal and DJ player using a control cord. (page 8)
	Is the DJ player properly connected to the [LINK] terminal?	Connect the DJ player to the [LINK] terminal properly using a LAN cable. (page 8)
	Are the audio cables properly connected?	Connect this unit's audio input terminals and the DJ player's audio output terminals by audio cable. (page 8)
BEAT EFFECT function does not work.	Are the [CH SELECT] buttons properly set?	Press the [CH SELECT] button(s) to select the channel(s) to which you want to add the effect.
[INST FX] does not work.	Is the [FILTER] control set to the proper position?	Turn the [FILTER] control clockwise. (page 16)
Can't use an external effector.	Is [ON/OFF] for the BEAT EFFECT set to on?	Press [ON/OFF] for the BEAT EFFECT to turn [SEND/RETURN] on. (page 17)
	Is the external effector properly connected to the [SEND] or [RETURN] terminal?	Connect the external effector to the [SEND] and [RETURN] terminals. (page 8)
Distorted sound from an external effector.	Is the external effector's audio output level set to an appropriate level?	Adjust the external effector's audio output level.
Tempo (BPM) cannot be measured or measurement value of tempo (BPM) is implausible.	Is the audio input level too high or too low?	Adjust the [TRIM] control so that the channel level indicator lights at about [0 dB] at the peak level. (page 13) For some tracks, it may not be possible to measure the tempo (BPM). In this case, input the tempo manually using the [TAP] button. (page 17)
	Measured tempo (BPM) differs from tempo indicated on CD.	— The values may differ slightly due to the different ways in which the BPM is measured. There is no need to make any corrections.
MIDI sequencer does not synchronize.	Is the MIDI sequencer's sync mode set to Slave?	Set the MIDI sequencer's sync mode to Slave.
	Does the MIDI sequencer you are using support MIDI timing clocks?	MIDI sequencers not supporting MIDI timing clocks cannot be synchronized.
MIDI control does not work.	Is the MIDI channel turned on?	Press [ON/OFF] in the [MIDI] section. (page 17)
	Are the MIDI settings properly set?	To operate DJ software with this unit, this unit's MIDI messages must be assigned to the DJ software you are using. For instructions on assigning messages, see your DJ software's operating instructions.
This unit is not recognized after it has been connected to a computer.	Is the driver software properly installed on your computer?	Install the driver software. If the software is already installed, re-install it. (page 9)
Sound of a computer cannot be output from this unit.	Are this unit and computer properly connected?	Connect this unit and computer using a USB cable. (page 9)
	Are the audio output device settings properly set?	Select this unit with the audio output device settings. For instructions on making settings for your application, see your application's operating instructions.
	Is this unit's input selector switch properly set?	Set the channel's input selector switch to the [USB */*] position. (page 13)
Nothing happens when touch panel is pressed.	Touch panel's calibration is off.	Adjust the touch panel with the [TOUCH PANEL] settings at the [CLUB SETUP] screen. (page 25)
The effect sound cannot be monitored when [CUE] for the BEAT EFFECT is pressed.	—	The circuit that generates the echo for the [ECHO], [REVERB], [ROLL], [SLIP ROLL] and [REV ROLL] effect sounds is positioned after the effect circuit, so the effect sound cannot be monitored. This is not a malfunction.

---

---

## About the liquid crystal display

- Small black or shining points may appear on the liquid crystal display. This is a phenomenon inherent to liquid crystal displays; this is not a malfunction.
- When using in cold places, the liquid crystal display may be dark for a while after the DJM-2000's power is turned on. It will reach the normal brightness after a while.
- When the liquid crystal display is exposed to direct sunlight, the light will reflect off it, making it difficult to see. Block the direct sunlight.

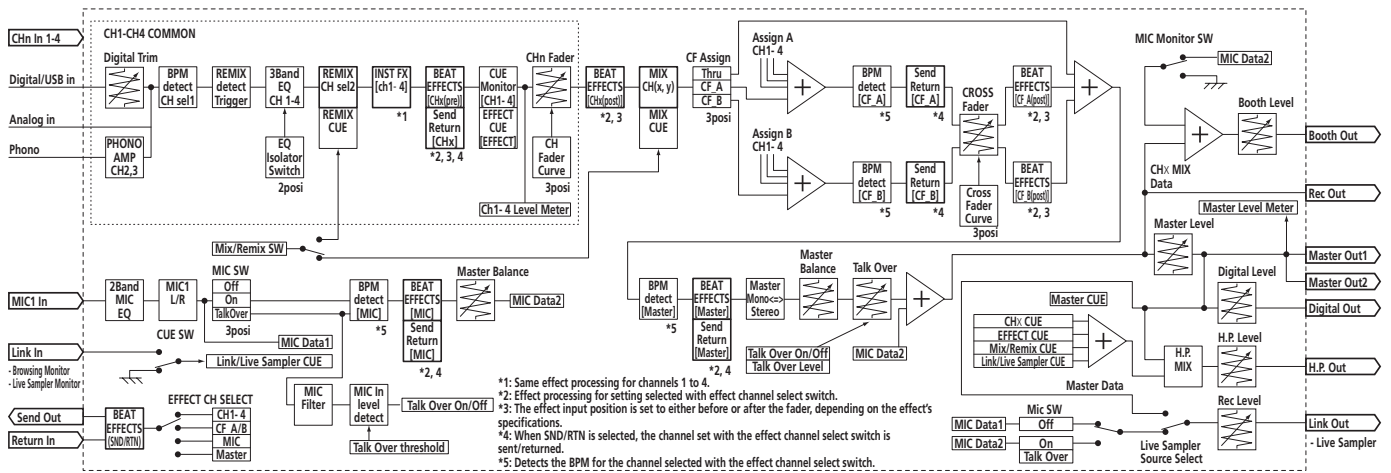
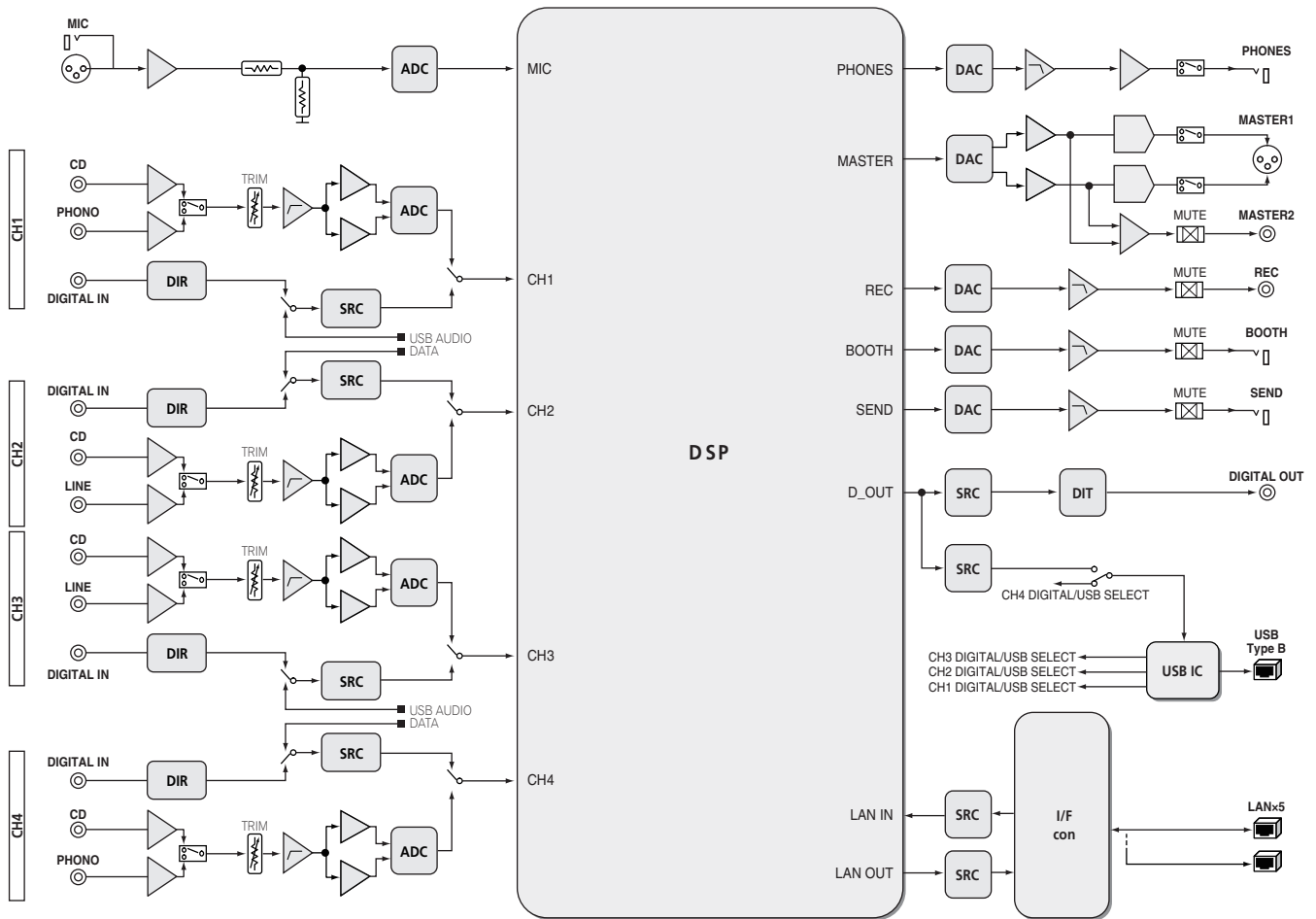
---

---

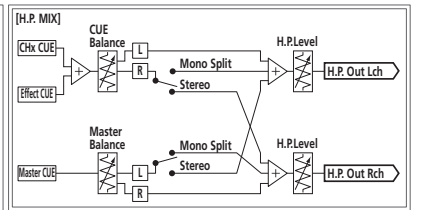
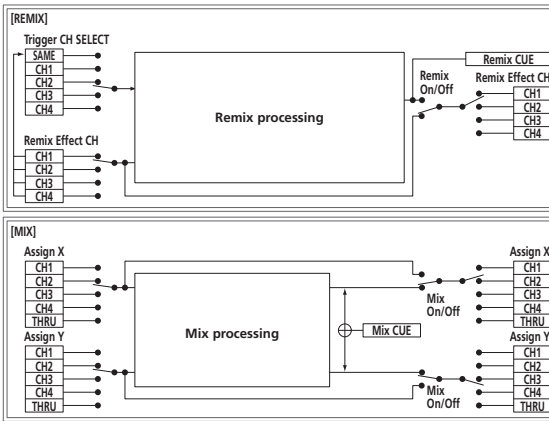
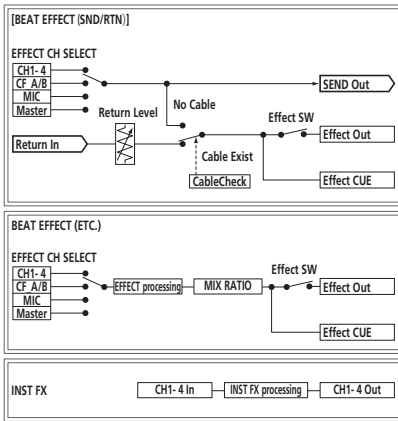
## About the exemption clauses

- Pioneer is a registered trademark of Pioneer Corporation.
- Microsoft®, Windows Vista®, and Windows® are registered trademarks or trademarks of Microsoft Corporation in the United States and/or other countries.
- Pentium is a registered trademark of Intel Corporation.
- Adobe and Reader are either registered trademarks or trademarks of Adobe Systems Incorporated in the United States and/or other countries.
- Apple, Macintosh or Mac OS are registered trademarks of Apple Inc. in the United States and/or other countries.
- ASIO is a trademark of Steinberg Media Technologies GmbH.
- The names of companies and products mentioned herein are the trademarks of their respective owners.

# Block Diagram



- \*1: Same effect processing for channels 1 to 4.
- \*2: Effect processing for setting selected with effect channel select switch.
- \*3: The effect input position is set to either before or after the fader, depending on the effect's specifications.
- \*4: When SND/RTN is selected, the channel set with the effect channel select switch is sent/returned.
- \*5: Detects the BPM for the channel selected with the effect channel select switch.



## Specifications

### General

Power requirements.....	AC 120 V, 60 Hz
Power consumption.....	.42 W
Power consumption (standby).....	0.4 W
Main unit weight.....	8.5 kg (18.7 lb)
External dimensions.....	430 mm (W) x 107.9 mm (H) x 409 mm (D) (16.9 in. (W) x 4.3 in. (H) x 16.1 in. (D))
Tolerable operating temperature.....	+5 °C to +35 °C (+41 °F to +95 °F)
Tolerable operating humidity.....	5 % to 85 % (no condensation)

### Audio Section

Sampling rate.....	96 kHz
A/D, D/A converter.....	24 bits
Frequency characteristic	
<b>CD/LINE/MIC</b> .....	20 Hz to 20 kHz
S/N ratio (rated output)	
<b>PHONO</b> .....	93 dB
<b>CD/DIGITAL, LINE</b> .....	107 dB
<b>MIC</b> .....	85 dB
Total harmonic distortion ( <b>LINE — MASTER1</b> ).....	0.004 %
Standard input level / Input impedance	
<b>PHONO</b> .....	-52 dBu/47 kΩ
<b>CD/LINE</b> .....	-12 dBu/47 kΩ
<b>MIC</b> .....	-52 dBu/8 kΩ
<b>RETURN</b> .....	-12 dBu/47 kΩ
Standard output level / Load impedance / Output impedance	
<b>MASTER1</b> .....	+8 dBu/10 kΩ/1 Ω or lower
<b>MASTER2</b> .....	+2 dBu/10 kΩ/22 Ω or lower
<b>REC OUT</b> .....	-8 dBu/10 kΩ/22 Ω or lower
<b>BOOTH</b> .....	+8 dBu/10 kΩ/1 kΩ or lower
<b>SEND</b> .....	-12 dBu/10 kΩ/1 kΩ or lower
<b>PHONES</b> .....	+8.5 dBu/32 Ω/1 Ω or lower
Rated output level / Load impedance	
<b>MASTER1</b> .....	+26 dBu/10 kΩ
<b>MASTER2</b> .....	+20 dBu/10 kΩ
Crosstalk ( <b>LINE</b> ).....	82 dB
Channel equalizer characteristic	
<b>HI</b> .....	-26 dB to +6 dB (13 kHz)
<b>MID</b> .....	-26 dB to +6 dB (1 kHz)
<b>LOW</b> .....	-26 dB to +6 dB (70 Hz)
Microphone equalizer characteristic	
<b>HI</b> .....	-12 dB to +12 dB (10 kHz)
<b>LOW</b> .....	-12 dB to +12 dB (100 Hz)

### Input / Output terminals

<b>PHONO</b> input terminal	
RCA pin jack.....	2
<b>CD</b> input terminal	
RCA pin jack.....	4
<b>LINE</b> input terminal	
RCA pin jack.....	2
<b>MIC</b> input terminal	
XLR connector/Phone jack (Ø 6.3 mm).....	1
<b>RETURN</b> Input terminals	
Phone jack (Ø 6.3 mm).....	1
<b>DIGITAL IN</b> coaxial input terminal	
RCA pin jack.....	4
<b>MASTER</b> output terminal	
XLR connector.....	1
RCA pin jack.....	1
<b>BOOTH</b> output terminal	
Phone jack (Ø 6.3 mm).....	1
<b>REC OUT</b> output terminal	
RCA pin jack.....	1
<b>SEND</b> output terminal	
Phone jack (Ø 6.3 mm).....	1
<b>DIGITAL OUT</b> coaxial output terminal	
RCA pin jack.....	1
<b>MIDI OUT</b> terminal	
5P DIN.....	1
<b>PHONES</b> output terminal	
Stereo phone jack (Ø 6.3 mm).....	1
<b>USB</b> terminal	
B-type.....	1
<b>CONTROL</b> terminal	
Mini phone jack (Ø 3.5 mm).....	2
<b>LINK</b> terminal	
LAN terminal (100Base-TX).....	6

The specifications and design of this product are subject to change without notice.

Nous vous remercions d'avoir acquis un produit Pioneer. Veuillez lire attentivement ce mode d'emploi afin de connaître la manière d'utiliser l'appareil comme il convient. Cela fait, conservez le mode d'emploi de façon à pouvoir vous y référer en cas de nécessité. Dans certains pays ou certaines régions, la forme de la fiche d'alimentation et de la prise d'alimentation peut différer de celle qui figure sur les schémas, mais les branchements et le fonctionnement de l'appareil restent les mêmes.

## IMPORTANT



Ce symbole de l'éclair, placé dans un triangle équilatéral, a pour but d'attirer l'attention de l'utilisateur sur la présence, à l'intérieur du coffret de l'appareil, de "tensions dangereuses" non isolées d'une grandeur suffisante pour représenter un risque d'électrocution pour les êtres humains.

## ATTENTION

**DANGER D'ÉLECTROCUTION  
NE PAS OUVRIR**


**ATTENTION :**  
POUR ÉVITER TOUT RISQUE D'ÉLECTROCUTION, NE PAS ENLEVER LE COUVERCLE (NI LE PANNEAU ARRIÈRE). AUCUNE PIÈCE RÉPARABLE PAR L'UTILISATEUR NE SE TROUVE À L'INTÉRIEUR. CONFIER TOUT ENTRETIEN À UN PERSONNEL QUALIFIÉ UNIQUEMENT.



Ce point d'exclamation, placé dans un triangle équilatéral, a pour but d'attirer l'attention de l'utilisateur sur la présence, dans les documents qui accompagnent l'appareil, d'explications importantes du point de vue de l'exploitation ou de l'entretien.

D3-4-2-1-1\_A1\_Fr

## INSTRUCTIONS DE SÉCURITÉ IMPORTANTES

- 1) Prenez connaissance du mode d'emploi.
  - 2) Conservez le mode d'emploi.
  - 3) Respectez les avertissements.
  - 4) Respectez les instructions.
  - 5) N'utilisez pas cet appareil près d'un point d'eau.
  - 6) Pour nettoyer, n'utilisez qu'un chiffon sec.
  - 7) N'obstruez pas les événements d'aération. Installez l'appareil conformément aux instructions du fabricant.
  - 8) N'installez pas l'appareil près des appareils de chauffage (radiateurs, poêles) et des appareils qui dégagent de la chaleur (y compris les amplificateurs).
  - 9) Ne tentez pas de faire échec à la sécurité qu'assurent la fiche polarisée ou la fiche à borne de masse. Une fiche polarisée possède 2 lames dont une est plus large que l'autre. Une fiche à borne de masse possède également 2 lames et en outre une broche pour la mise à la terre. La lame plus large dans un cas, et la broche dans l'autre cas, sont là pour des raisons de sécurité. Si la fiche du cordon d'alimentation fourni ne pénètre pas dans la prise secteur, demandez à un électricien de remplacer la prise obsolète.
  - 10) Faites cheminer le cordon d'alimentation de manière qu'il ne puisse pas être piétiné et veillez à ce que le cordon ne soit pas écrasé, tout particulièrement au niveau des prises secteur ou de sa sortie de l'appareil.
  - 11) N'utilisez aucun accessoire ni aucune option qui ne soient pas conseillés par le fabricant.
  - 12) Utilisez uniquement un chariot, un support, un trépied, une console ou une table conseillés par le fabricant ou vendus avec l'appareil. Si vous optez pour un chariot, ne déplacez ce dernier et l'appareil qu'il porte qu'avec les précautions qui s'imposent pour éviter de renverser l'appareil et d'être blessé.
- 
- 13) Pendant les orages, débranchez la fiche du cordon d'alimentation; procédez de même si vous avez l'intention de ne pas vous servir de l'appareil durant une longue période.
  - 14) Les réparations doivent être effectuées par du personnel qualifié. La réparation de l'appareil est nécessaire s'il a été endommagé, si le cordon d'alimentation où la fiche sont abîmés, si un liquide à ou un objet ont pénétré dans l'appareil, ou si ce dernier a été exposé à la pluie ou à l'humidité, ne fonctionne pas normalement ou s'il est tombé.

P1-4-2-2\_Fr

## AVERTISSEMENT

Cet appareil n'est pas étanche. Pour éviter les risques d'incendie et de décharge électrique, ne placez près de lui un récipient rempli d'eau, tel qu'un vase ou un pot de fleurs, et ne l'exposez pas à des gouttes d'eau, des éclaboussures, de la pluie ou de l'humidité.

D3-4-2-1-3\_A1\_Fr

## AVERTISSEMENT

*Avant de brancher l'appareil pour la première, lisez attentivement la section suivante.*

**La tension de l'alimentation électrique disponible varie selon le pays ou la région. Assurez-vous que la tension du secteur de la région où l'appareil sera utilisé correspond à la tension requise (par ex. 230 V ou 120 V), indiquée sur la panneau latéral.**

D3-4-2-1-4\*\_A1\_Fr

## AVERTISSEMENT

Cet appareil est muni d'une fiche de mise à la terre (masse) à trois fils. Comme la fiche présente une troisième broche (de terre), elle ne peut se brancher que sur une prise de courant, prévue pour une mise à la terre. Si vous n'arrivez pas à insérer la fiche dans la prise de courant, contactez un électricien qualifié pour faire remplacer la prise par une qui soit mise à la terre. N'annulez pas la fonction de sécurité que procure cette fiche de mise à la terre.

D3-4-2-1-6\_A1\_Fr

## AVERTISSEMENT

Pour éviter les risques d'incendie, ne placez aucune flamme nue (telle qu'une bougie allumée) sur l'appareil.

D3-4-2-1-7a\_A1\_Fr

## PRÉCAUTION DE VENTILATION

Lors de l'installation de l'appareil, veillez à laisser un espace suffisant autour de ses parois de manière à améliorer la dissipation de chaleur (au moins 5 cm à l'arrière et 3 cm de chaque côté).

## AVERTISSEMENT

Les fentes et ouvertures du coffret sont prévues pour la ventilation, pour assurer un fonctionnement stable de l'appareil et pour éviter sa surchauffe. Pour éviter les risques d'incendie, ne bouchez jamais les ouvertures et ne les recouvrez pas d'objets, tels que journaux, nappes ou rideaux, et n'utilisez pas l'appareil posé sur un tapis épais ou un lit.

D3-4-2-1-7b\*\_A1\_Fr

## Milieu de fonctionnement

Température et humidité du milieu de fonctionnement : De +5 °C à +35 °C (de +41 °F à +95 °F) ; Humidité relative inférieure à 85 % (orifices de ventilation non obstrués)

N'installez pas l'appareil dans un endroit mal ventilé ou un lieu soumis à une forte humidité ou en plein soleil (ou à une forte lumière artificielle).

D3-4-2-1-7c\*\_A1\_Fr

Si la fiche d'alimentation secteur de cet appareil ne convient pas à la prise secteur à utiliser, la fiche doit être remplacée par une appropriée. Ce remplacement et la fixation d'une fiche secteur sur le cordon d'alimentation de cet appareil doivent être effectués par un personnel de service qualifié. En cas de branchement sur une prise secteur, la fiche de coupure peut provoquer une sérieuse décharge électrique. Assurez-vous qu'elle est éliminée correctement après sa dépose.

L'appareil doit être déconnecté en débranchant sa fiche secteur au niveau de la prise murale si vous prévoyez une période prolongée de non utilisation (par exemple avant un départ en vacances).

D3-4-2-2-1a\_A1\_Fr

## ATTENTION

L'interrupteur **POWER** de cet appareil ne coupe pas complètement celui-ci de sa prise secteur. Comme le cordon d'alimentation fait office de dispositif de déconnexion du secteur, il devra être débranché au niveau de la prise secteur pour que l'appareil soit complètement hors tension. Par conséquent, veillez à installer l'appareil de telle manière que son cordon d'alimentation puisse être facilement débranché de la prise secteur en cas d'accident. Pour éviter tout risque d'incendie, le cordon d'alimentation sera débranché au niveau de la prise secteur si vous prévoyez une période prolongée de non utilisation (par exemple avant un départ en vacances).

D3-4-2-2-2a\*\_A1\_Fr

Cet appareil numérique de la Classe B est conforme à la norme NMB-003 du Canada.

D8-10-1-3\_A1\_Fr

## NOTE IMPORTANTE SUR LE CÂBLE D'ALIMENTATION

Tenir le câble d'alimentation par la fiche. Ne pas débrancher la prise en tirant sur le câble et ne pas toucher le câble avec les mains mouillées. Cela risque de provoquer un court-circuit ou un choc électrique. Ne pas poser l'appareil ou un meuble sur le câble. Ne pas pincer le câble. Ne pas faire de noeud avec le câble ou l'attacher à d'autres câbles. Les câbles d'alimentation doivent être posés de façon à ne pas être écrasés. Un câble abîmé peut provoquer un risque d'incendie ou un choc électrique. Vérifier le câble d'alimentation de temps en temps. Contacter le service après-vente PIONEER le plus proche ou le revendeur pour un remplacement.

S002\*\_A1\_Fr

---

---

# Sommaire

## Comment lire ce manuel

Les noms d'écrans, de menus et de touches sont entre crochets dans ce manuel.  
(ex. canal [MASTER], menu [ON/OFF], [File])

## 01 Informations préliminaires

Caractéristiques.....	5
Contenu du carton d'emballage.....	5

## 02 Raccordements

Panneau arrière.....	6
Raccordement des prises d'entrée.....	7
Raccordement des prises de sortie.....	7
Raccordement au panneau de commande.....	8
Raccordement à un ordinateur.....	8
À propos du pilote audio USB.....	8

## 03 Opérations

Panneau de commande.....	11
Opérations de base.....	12
Opérations avancées.....	14
Liste de messages MIDI.....	18
Types de BEAT EFFECT.....	24

## 04 Changement des réglages

Réglage des préférences.....	26
À propos de la mise en veille automatique.....	26

## 05 Informations supplémentaires

En cas de panne.....	27
À propos de l'écran à cristaux liquides.....	28
À propos des clauses d'exemption.....	28
Schéma fonctionnel.....	29
Spécifications.....	30



---

---

# Informations préliminaires

---

---

## Caractéristiques

Cet appareil est une table de mixage DJ haute performance, destinée aux DJ professionnels, qui offre non seulement un son d'une qualité excellente mais aussi un panneau tactile multipoint, divers types d'interfaces et des effets permettant de toutes nouvelles pratiques DJ.

---

## TOUCH PANEL EFFECT

Cet appareil présente un grand panneau tactile multipoint LCD de 5,8 pouces. Lorsque les fonctions [FREQUENCY MIX] et [SIDECHAIN REMIX] sont combinées, l'effet obtenu peut être contrôlé visuellement et acoustiquement, ce qui rend le contrôle plus intuitif.

### ❖ FREQUENCY MIX

Les fréquences des morceaux se divisent en sept bandes et sont représentées graphiquement. La commande des faders sur le panneau tactile permet une maîtrise plus fine, le mixage de deux canaux ou le changement d'instruments (parties).

### ❖ SIDECHAIN REMIX

Le son d'un canal particulier peut servir à déclencher l'application d'effets au son des autres canaux. L'emploi du pad du panneau tactile permet une manipulation du son plus dynamique.

---

## INST FX

Cet appareil présente six types d'effets (NOISE, ZIP, CRUSH, JET, HPF, LPF). Les effets peuvent être obtenus par une simple rotation des commandes [FILTER] pour les différents canaux pendant une improvisation et peuvent ensuite être réglés avec la commande [PARAMETER] jusqu'à obtention de l'effet souhaité.

---

## BEAT EFFECT

La fonction populaire BEAT EFFECT de la série DJM est toujours présente et a été développée. Cet appareil offre une fonction [EFFECT FREQUENCY] qui permet de régler le niveau d'effet appliqué par plage de fréquences, et par conséquent une plus grande liberté de lecture que dans le passé.

---

## PRO DJ LINK

Lorsqu'un lecteur DJ Pioneer compatible PRO DJ LINK (CDJ-2000, CDJ-900 etc.), un ordinateur sur lequel rekordbox est installé et cet appareil sont reliés par un câble LAN, les fonctions PRO DJ LINK suivantes peuvent être utilisées. Pour le détail, reportez-vous à la page 14, *À propos de PRO DJ LINK*.

### ❖ Exportation SD & USB

### ❖ Exportation rekordbox LINK

### ❖ LIVE SAMPLER

### ❖ LINK MONITOR

### ❖ STATUS INFORMATION

---

## CARTE SON

Cet appareil est équipé d'une carte son/interface audio USB permettant d'attribuer jusqu'à quatre sources audio d'un ordinateur aux différents canaux et de les mixer. De plus, les signaux de sortie du canal principal peuvent être transmis à l'ordinateur, ce qui est très pratique pour enregistrer, par exemple, des mixages.

---

## HAUTE QUALITÉ SONORE

Des mesures ont été prises pour améliorer la qualité du son des entrées et sorties numériques et analogiques. Un son plus puissant et de plus grande qualité est obtenu grâce à un échantillonnage à 96 kHz, un convertisseur A/N 24 bits et un convertisseur N/A 32 bits, tous deux de haute qualité sonore. Cet appareil prend en charge les signaux audio USB de 48 kHz 16 bits, 48 kHz 24 bits et 44,1 kHz 16 bits.

---

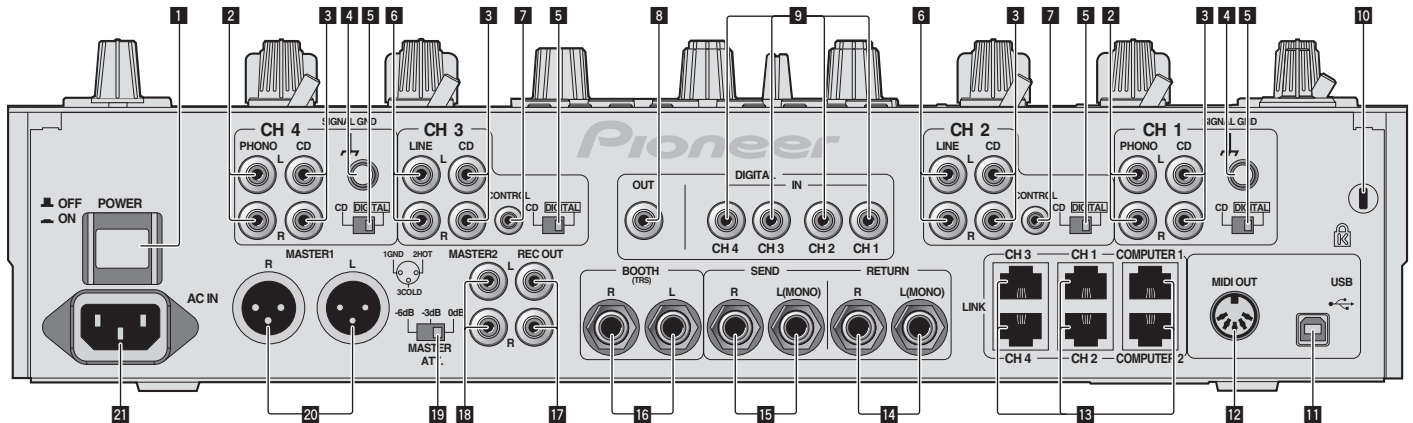
## Contenu du carton d'emballage

- CD-ROM
- Câble USB
- Câbles LAN x 4
- Câble d'alimentation
- Carte de garantie
- Mode d'emploi (ce document)

# Raccordements

Veillez à toujours éteindre les appareils et à débrancher le cordon d'alimentation de la prise secteur avant de raccorder un appareil ou de changer les liaisons. Reportez-vous au mode d'emploi de l'appareil devant être raccordé. Lorsque tous les appareils ont été raccordés, vous pouvez brancher le cordon d'alimentation. Veillez à utiliser le cordon d'alimentation fourni.

## Panneau arrière



### 1 POWER (la page 12)

Pour allumer et éteindre cet appareil.

### 2 PHONO (la page 7)

Pour raccorder un appareil de type tourne-disque (cartouche phono MM). Ne pas pourvoir des signaux de ligne.

### 3 CD (la page 7)

Pour raccorder un lecteur DJ ou un appareil avec sortie niveau ligne.

### 4 SIGNAL GND (la page 7)

Pour raccorder le fil de terre d'un lecteur analogique. Ceci permet de réduire le bruit lorsqu'un lecteur analogique est raccordé.

### 5 CD, DIGITAL (la page 12)

Pour sélectionner les prises d'entrée des signaux analogiques (CD) ou les prises d'entrée des signaux numériques (DIGITAL IN).

### 6 LINE (la page 7)

Pour raccorder une platine à cassette ou un appareil avec sortie niveau ligne.

### 7 CONTROL (la page 7)

Pour raccorder un cordon de commande (fourni avec les lecteurs DJ Pioneer).

### 8 DIGITAL OUT (la page 7)

Transmet les signaux audio du canal principal.

### 9 DIGITAL IN (la page 7)

Ces prises doivent être reliées aux prises de sortie coaxiales numériques des lecteurs DJ, etc. Le son peut être momentanément interrompu lorsque la fréquence d'échantillonnage des signaux de sortie est changée.

### 10 Fente de sécurité Kensington

### 11 USB (la page 8)

Pour raccorder un ordinateur.

### 12 MIDI OUT (la page 7)

Cette prise doit être reliée à la prise MIDI IN d'un séquenceur MIDI externe.

### 13 LINK (la page 7)

Ces prises doivent être reliées aux prises LINK des lecteurs DJ Pioneer ou aux ports LAN d'ordinateurs sur lesquels rekordbox est installé (PRO DJ LINK).

### 14 RETURN (la page 7)

À raccorder à la prise de sortie d'un processeur d'effets externe. Lorsque le canal [L (MONO)] seulement est raccordé, l'entrée du canal [L (MONO)] est transmise simultanément au canal [R].

### 15 SEND (la page 7)

À raccorder à la prise d'entrée d'un processeur d'effets externe. Lorsque le canal [L (MONO)] seulement est raccordé, un signal audio monophonique est transmis.

### 16 BOOTH (la page 7)

Prises de sortie pour moniteur de cabine, compatible avec une sortie symétrique ou asymétrique pour connecter TRS.

### 17 REC OUT (la page 7)

Cette prise de sortie est prévue pour l'enregistrement.

### 18 MASTER2 (la page 7)

À raccorder à un amplificateur de puissance, etc.

### 19 MASTER ATT.

Pour changer le niveau d'atténuation du son provenant des prises [MASTER1] et [MASTER2]. Sélectionnez 0 dB, -3 dB ou -6 dB.

### 20 MASTER1 (la page 7)

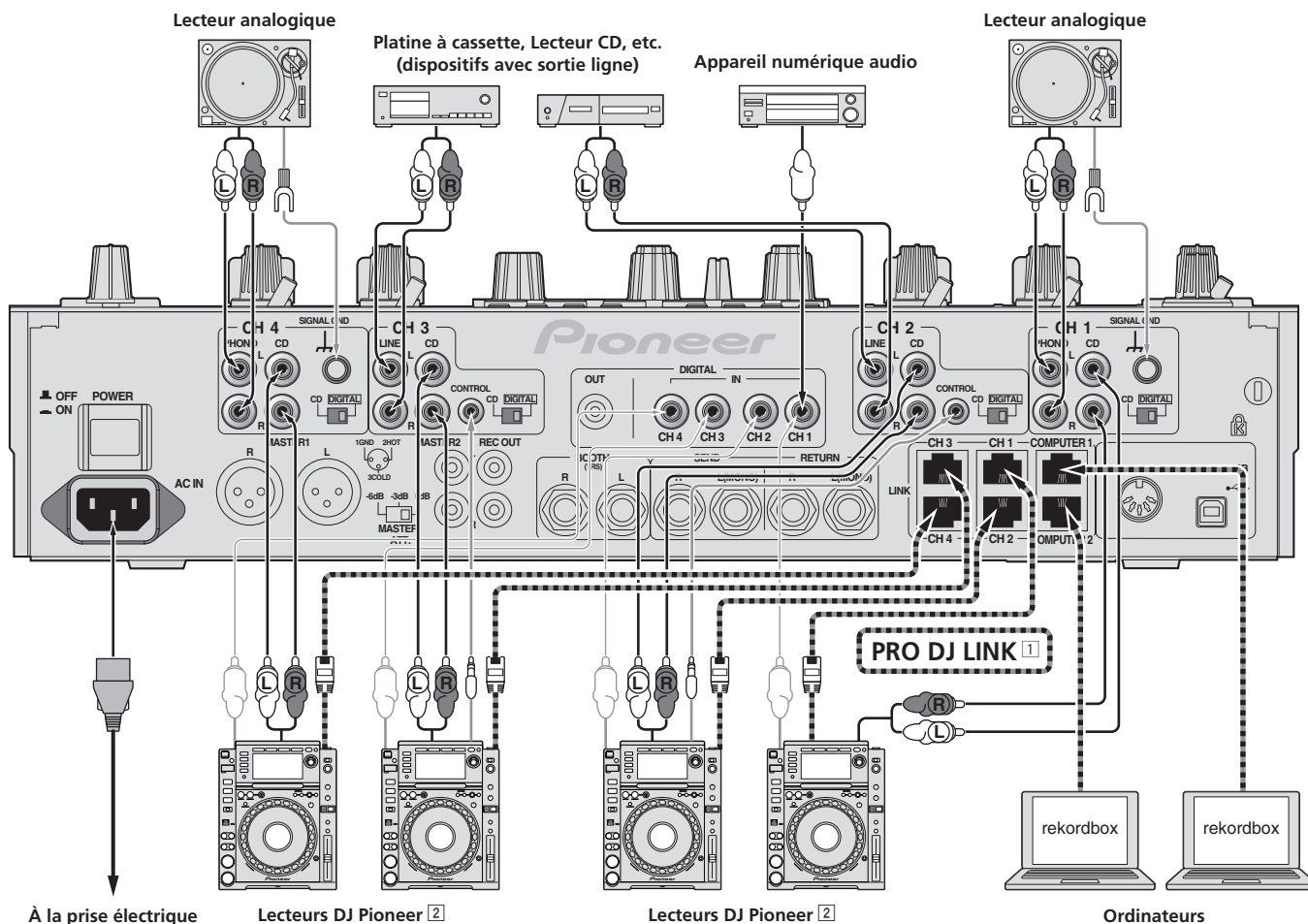
À raccorder à un amplificateur de puissance, etc.

### 21 AC IN

À relier à une prise d'alimentation avec le cordon d'alimentation fourni. Avant de brancher le cordon d'alimentation, assurez-vous que tous les autres appareils sont raccordés.

Veillez à utiliser le cordon d'alimentation fourni.

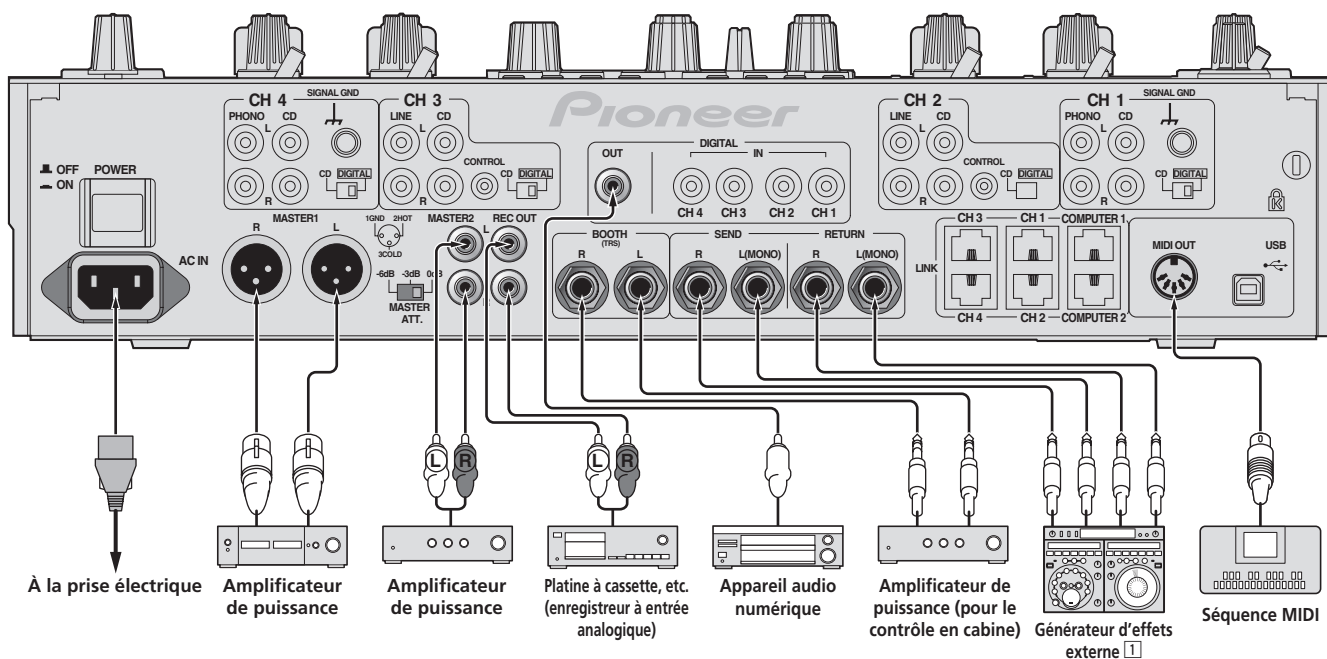
## Raccordement des prises d'entrée



1 Pour le détail sur PRO DJ LINK, reportez-vous à la page 14, À propos de PRO DJ LINK. Utilisez les câbles LAN fournis pour raccorder la table aux lecteurs DJ Pioneer.

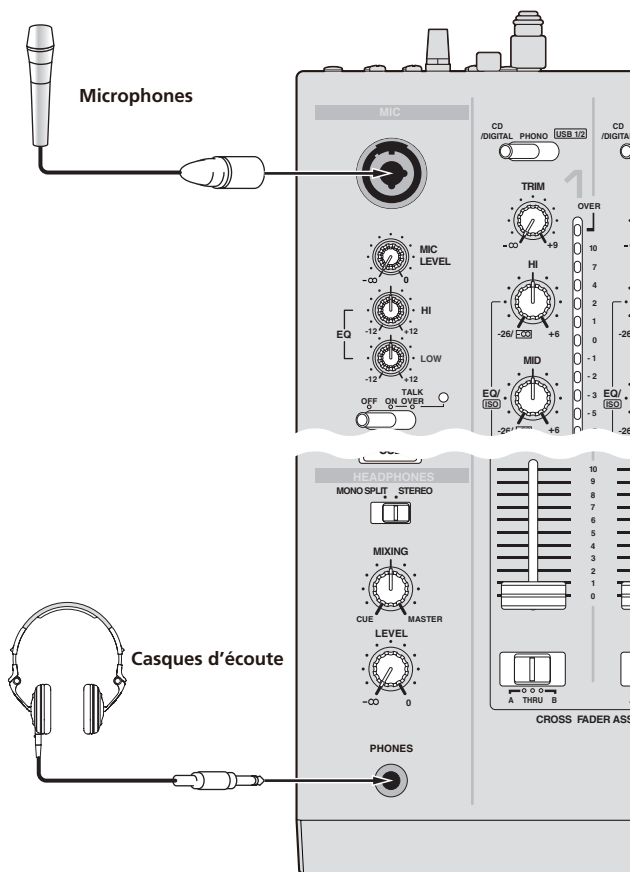
2 Pour lancer la lecture par le fader, raccordez un câble LAN ou un cordon de commande (la page 13).

## Raccordement des prises de sortie

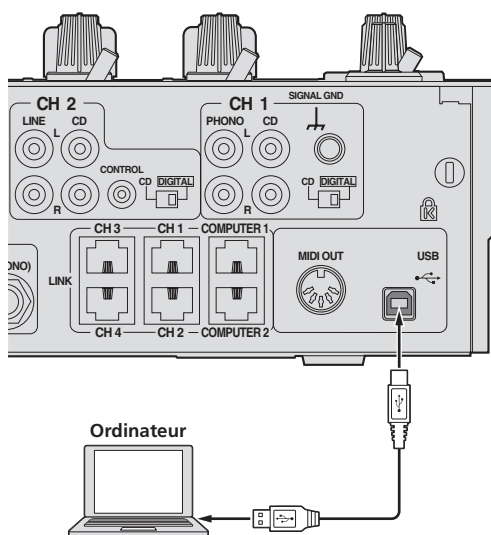


1 Raccordez aussi le générateur d'effets externe à la prise [RETURN] (prise d'entrée).

## Raccordement au panneau de commande



## Raccordement à un ordinateur



Utilisez le câble USB inclus pour ce raccordement.

## À propos du pilote audio USB

Ce logiciel pilote est un programme propriétaire permettant de pourvoir en entrée et sortie les signaux audio de l'ordinateur. Installez le logiciel pilote au préalable sur l'ordinateur pour pouvoir utiliser cet appareil raccordé à un ordinateur sur lequel le système d'exploitation Windows ou Mac est installé.

## Accord de licence du logiciel

Cet accord de licence du logiciel ("accord") est entre vous (aussi bien la personne installant le programme que toute entité légale unique pour laquelle cette personne agit) ("vous" ou "votre") et PIONEER CORPORATION ("Pioneer"). TOUTE MESURE PRISE EN VUE DE CONFIGURER OU D'INSTALLER LE PROGRAMME SIGNIFIE QUE VOUS ACCEPTEZ TOUS LES TERMES DE CET ACCORD DE LICENCE. L'AUTORISATION DE TÉLÉCHARGER ET/OU D'UTILISER LE PROGRAMME EST EXPRESSÉMENT CONDITIONNÉE À VOTRE RESPECT DE CES TERMES. AUCUNE APPROBATION ÉCRITE OU ÉLECTRONIQUE N'EST NÉCESSAIRE POUR VALIDER ET EXÉCUTER CET ACCORD. SI VOUS N'ACCEPTEZ PAS LA TOTALITÉ DES TERMES DE CET ACCORD, VOUS N'ÊTES PAS AUTORISÉ À UTILISER LE PROGRAMME ET VOUS DEVEZ ARRÊTER SON INSTALLATION OU LE DÉINSTALLER, COMME APPLICABLE.

### 1 Définitions

- 1 Le mot "documentation" signifie la documentation écrite, les spécifications et l'aide fournies par Pioneer pour aider à installer et à utiliser le programme.
- 2 Le mot "programme" signifie la totalité ou toute partie du logiciel Pioneer et dont Pioneer vous concède la licence par cet accord.

### 2 Licence de programme

- 1 Licence limitée. Sous réserve des restrictions stipulées dans cet accord, Pioneer vous concède une licence limitée, nonexclusive, non-transférable (sans le droit de sous-licencier) :
  - a Pour installer une seule copie du programme sur le disque dur de votre ordinateur, pour utiliser le programme seulement pour votre besoin personnel conformément à cet accord et à la documentation ("Utilisation autorisée") ;
  - b Pour utiliser la documentation d'assistance à votre utilisation autorisée; et
  - c Pour faire une copie du programme seulement à des fins de sauvegarde, pourvu que tous les titres et marques, copyright et avertissements de droits limités soient reproduits sur cette copie.
- 2 Restrictions. Vous ne pouvez pas copier ou utiliser le programme ou la documentation de façon autre que celle expressément permise par cet accord. Vous ne pouvez pas transférer, sous-licencier, louer, louer à crédit bail ou prêter le programme, ou l'utiliser pour la formation d'une tierce partie, dans une activité commerciale de service informatique en temps partagé ou d'assistance. Vous ne pouvez pas, vous-même ou par l'intermédiaire d'une tierce partie, modifier, désosser, désassembler ou décompiler le programme, sauf dans la limite expressément permise par la loi en vigueur et, le cas échéant, seulement après que vous ayez informé Pioneer par écrit de vos intentions. Vous ne pouvez pas utiliser le programme sur plusieurs processeurs sans le consentement écrit préalable de Pioneer.
- 3 Propriété. Pioneer ou son concédant garde tout droit, titre et intérêt dans et sur tout brevet, copyright, marque, secret commercial et autres droits de propriété intellectuelle liés au programme et à la documentation, ainsi qu'à tout produit qui en dérive. Vous ne faites l'acquisition d'aucun droit, explicite ou implicite, hors de la licence limitée décrite dans cet accord.
- 4 Pas d'assistance. Pioneer n'a aucune obligation de fournir une assistance, une maintenance, des mises à niveau, des modifications ou des nouvelles versions pour le programme ou la documentation liés à cet accord.

### 3 Exclusion de garantie

LE PROGRAMME ET LA DOCUMENTATION SONT FOURNIS "TELS QUELS" SANS CONDITION OU GARANTIE D'AUCUNE SORTIE, ET VOUS ACCEPTEZ DE LES UTILISER À VOS RISQUES ET PÉRILS. DANS LA MESURE PERMISE PAR LA LOI, PIONEER EXCLUT EXPLICITEMENT TOUTE GARANTIE DE TOUTE SORTIE DU PROGRAMME ET DE LA DOCUMENTATION, EXPRESSE, IMPLICITE, OFFICIELLE, OU ÉMANANT DE L'UTILISATION, DE LA TRANSACTION OU DE L'ÉCHANGE, Y COMPRIS LES GARANTIES DE QUALITÉ MARCHANDE, D'ADÉQUATION À UN USAGE PARTICULIER, DE QUALITÉ, DE PRÉCISION, DE TITRE OU DE NONCONTREFAÇON.

### 4 Dommages-intérêts et recours pour infraction

Vous acceptez que toute infraction aux restrictions de cet accord causerait à Pioneer un mal irréparable pour lequel des dommages-intérêts seuls seraient inadéquats. En plus des dommages-intérêts et autres recours auxquels Pioneer peut avoir droit, vous acceptez que Pioneer puisse saisir la justice pour empêcher toute infraction ou tout risque d'infraction ou pour faire cesser toute infraction à cet accord.

### 5 Résiliation

Pioneer peut résilier cet accord à tout moment sur votre infraction à n'importe quelle de ses clauses. Si cet accord est résilié, vous devez arrêter d'utiliser le

programme, le supprimer définitivement de l'ordinateur où il réside, et détruire toutes les copies du programme et de la documentation en votre possession, avec confirmation écrite à Pioneer de l'exécution de ces obligations. Les sections 2.2, 2.3, 2.4, 3, 4, 5 et 6 resteront en vigueur après la résiliation de cet accord.

## 6 Conditions générales

- 1** Limitation de responsabilité. En aucun cas Pioneer ou ses filiales ne seront responsables au sujet de cet accord ou de son contenu, quel que soit le fondement invoqué, de quelque dommage que ce soit, indirect, direct, spécial, induit ou à valeur répressive, ou de dommages en raison de perte de bénéfices, de revenu, d'affaires, d'économies, de données, d'utilisation, ou de coût d'acquisition d'un produit de substitution, même s'ils sont prévenus de la possibilité de tels dommages ou si ces dommages sont prévisibles. En aucun cas la responsabilité de Pioneer pour tous dommages ne dépassera le montant que vous avez payé à Pioneer ou à ses filiales pour le programme. Les parties admettent que les limites de responsabilité et l'affectation de risque dans cet accord sont reflétées dans le prix du programme et sont des éléments intrinsèques du marché entre les parties, sans lesquels Pioneer n'aurait pas fourni le programme et n'aurait pas été partie prenante de cet accord.
- 2** Les limitations ou exclusions de garantie et de responsabilité contenues dans cet accord n'affectent ni n'entraînent vos droits légaux comme consommateur et vous seront applicables seulement dans la mesure où de telles limitations ou exclusions sont permises sous les lois de la juridiction où vous êtes situé.
- 3** Si une clause de cet accord s'avère être illégale, invalide ou inapplicable d'une manière ou d'une autre, elle sera appliquée dans la mesure du possible ou, si elle est totalement inapplicable, sera considérée comme coupée et supprimée de cet accord, et le reste continuera d'être en vigueur. La renonciation par une partie ou l'autre à tout défaut ou manquement de cet accord ne donnera pas lieu à la suppression d'un défaut ou manquement autre ou ultérieur.
- 4** Pas de cession. Vous ne pouvez pas céder, vendre, transférer, déléguer ou altérer d'une manière ou d'une autre cet accord ou tous droits ou obligations qui s'y rapportent, que ce soit volontairement ou involontairement, par action légale ou autre, sans le consentement écrit préalable de Pioneer. Toute cession, tout transfert ou toute délégation émanant de votre part sera nul et non avenant. Sujet aux faits précités, cet accord engagera et liera les parties et leurs successeurs et délégués respectifs.
- 5** Accord complet. Cet accord constitue l'intégralité de l'accord entre les parties et remplace tous les accords ou propositions antérieurs ou actuels, écrits ou verbaux, en ce qui concerne son contenu. Cet accord ne peut pas être modifié ou amendé sans le consentement écrit préalable de Pioneer, et aucun autre acte, document, usage ou convention ne pourra amender ou modifier cet accord.
- 6** Vous acceptez que cet Accord soit régi par les lois du Japon et interprété selon celles-ci.

## Précautions à prendre lors de l'installation

- Avant d'installer le pilote, veillez à éteindre cet appareil et à débrancher le câble USB de cet appareil et de l'ordinateur.
- Le pilote doit être d'abord installé sur l'ordinateur puis cet appareil raccordé à l'ordinateur sinon, selon l'environnement système, une erreur peut se produire.
- Si vous interrompez l'installation en cours, recommencez l'installation depuis le début en procédant de la façon suivante.
- Lisez attentivement *Accord de licence du logiciel* avant d'installer le logiciel propriétaire de cet appareil.
- Avant d'installer le pilote, fermez tous les programmes ouverts sur votre ordinateur.
- Le pilote est compatible avec les systèmes d'exploitation suivants :

Systèmes d'exploitation pris en charge	
Mac OS X (10.3.9 ou ultérieur)	✓
Windows® 7 Édition Familiale Premium/Professionnel/Édition Intégrale	Version à 32 bits ✓ Version à 64 bits ✓
Windows Vista® Familiale Basique/Familiale Premium/Professionnel/Intégrale	Version à 32 bits ✓ Version à 64 bits ✓
Windows® XP Édition Familiale/Édition Professionnelle (SP2 ou ultérieur)	Version à 32 bits ✓
Windows® XP Édition Professionnelle 64 bits n'est pas pris en charge.	

- Le CD-ROM fourni contient des programmes d'installation pour les 12 langues suivantes. Anglais, Français, Allemand, Italien, Hollandais, Espagnol, Portugais, Russe, Chinois simplifié, Chinois traditionnel, Coréen et Japonais. Les personnes qui utilisent des systèmes d'exploitation dans d'autres langues doivent suivre les instructions à l'écran et sélectionner [English (anglais)].

## Installation du pilote

### ❖ Marche à suivre (Windows)

Lisez attentivement *Précautions à prendre lors de l'installation* avant d'installer le pilote.

- Pour installer ou désinstaller le pilote, vous devez avoir l'autorisation de l'administrateur de votre ordinateur. Connectez-vous comme administrateur de votre ordinateur avant de procéder à l'installation.

#### 1 Insérez le CD-ROM inclus dans le lecteur CD de l'ordinateur.

Le dossier du CD-ROM apparaît.

- Si le dossier du CD-ROM n'apparaît pas après l'insertion du CD-ROM, ouvrez le lecteur CD dans [Ordinateur (ou Poste de travail)] à partir du menu [Démarrer].

#### 2 Double-cliquez sur [DJM-2000\_X.XXX.exe]

L'écran d'installation du pilote apparaît.

#### 3 Lorsque l'écran de sélection de la langue apparaît, sélectionnez [Français] et cliquez sur [OK]

Vous pouvez sélectionner un certain nombre de langues selon le système d'exploitation de votre ordinateur.

#### 4 Lisez attentivement le *Accord de licence du logiciel*, puis cochez [D'accord.] et cliquez sur [OK] si vous en acceptez les conditions.

Si vous n'acceptez pas les conditions du *Accord de licence du logiciel*, cliquez sur [Annuler] et arrêtez l'installation.

#### 5 Procédez à l'installation en suivant les instructions qui apparaissent à l'écran.

Si [Sécurité de Windows] apparaît à l'écran au cours de l'installation, cliquez sur [Installer ce pilote quand même] et continuez l'installation.

- Installation sur Windows XP  
Si [Installation matérielle] apparaît à l'écran au cours de l'installation, cliquez sur [Continuer] et continuez l'installation.
- Lorsque le programme d'installation est terminé, le message Installation terminée apparaît.
- Lorsque l'installation du pilote est terminée, vous devez redémarrer votre ordinateur.

### ❖ Marche à suivre (Macintosh)

Lisez attentivement *Précautions à prendre lors de l'installation* avant d'installer le pilote.

- Pour installer ou désinstaller le pilote, vous devez avoir l'autorisation de l'administrateur de votre ordinateur. Ayez à disposition le nom et le mot de passe de l'administrateur de votre ordinateur.

#### 1 Insérez le CD-ROM inclus dans le lecteur CD de l'ordinateur.

Le dossier du CD-ROM apparaît.

- Double-cliquez sur l'icône du CD sur le bureau si les dossiers n'apparaissent pas après l'insertion du CD-ROM.

#### 2 Double-cliquez sur [DJM-2000\_M\_X.X.X.dmg]

L'écran du menu [DJM-2000AudioDriver] apparaît.

#### 3 Double-cliquez sur [DJM-2000AudioDriver.pkg]

L'écran d'installation du pilote apparaît.

#### 4 Vérifiez les détails sur l'écran et cliquez sur [Continuer]

#### 5 Quand l'écran du Contrat d'utilisation du logiciel apparaît, sélectionnez [Français], lisez attentivement le *Accord de licence du logiciel* et cliquez sur [Continuer].

Vous pouvez sélectionner un certain nombre de langues selon le système d'exploitation de votre ordinateur.

#### 6 Si vous acceptez les conditions du *Accord de licence du logiciel*, cliquez sur [D'accord.].

Si vous n'acceptez pas les conditions du *Accord de licence du logiciel*, cliquez sur [N'accepte pas] et arrêtez l'installation.

#### 7 Procédez à l'installation en suivant les instructions qui apparaissent à l'écran.

- Cliquez sur [Annuler] pour annuler l'installation lorsqu'elle a démarré.
- Lorsque l'installation du pilote est terminée, vous devez redémarrer votre ordinateur.

## Raccordement de la DJM-2000 et de l'ordinateur

### 1 Raccordez cet appareil à votre ordinateur avec un câble USB.

Cet appareil est un dispositif audio conforme aux normes ASIO.



- Lorsque des applications compatibles ASIO sont utilisées, [USB 1/2], [USB 3/4], [USB 5/6] et [USB 7/8] peuvent être utilisées comme entrées. Selon le réglage d'entrées/sorties, trois jeux d'entrées de cet appareil peuvent être utilisés.
- Lorsque des applications compatibles DirectX sont utilisées, seule [USB 1/2] peut être utilisé comme entrée.
- L'environnement opérationnel recommandé pour l'ordinateur dépend de l'application DJ. Veuillez à vérifier l'environnement opérationnel recommandé pour l'application DJ que vous utilisez.
- Si un autre appareil audio USB est raccordé en même temps à l'ordinateur, il peut ne pas fonctionner ou ne pas être reconnu normalement. Il est conseillé de raccorder seulement l'ordinateur et cet appareil.
- L'ordinateur et cet appareil devraient être raccordés directement au port USB de cet appareil.

## 2 Appuyez sur [POWER]

Allumez cet appareil.

- Le message [Installation du pilote logiciel de périphérique] peut apparaître la première fois que vous raccordez la DJM-2000 à l'ordinateur ou lorsque vous le raccordez au port USB de l'ordinateur. Attendez que le message [Vos périphériques sont prêts à être utilisés.] apparaisse.
- Installation sur Windows XP
  - [Autorisez-vous Windows à se connecter à Windows Update pour rechercher des mises à jour ?] peut apparaître au cours de l'installation. Sélectionnez [Non, pas pour cette fois] et cliquez sur [Suivant] pour continuer l'installation.
  - [Quelle tâche voulez-vous que l'Assistant exécute ?] peut apparaître au cours de l'installation. Sélectionnez [Installer le logiciel automatiquement (recommandé)] et cliquez sur [Suivant] pour continuer l'installation.
  - Si [Sécurité de Windows] apparaît à l'écran au cours de l'installation, cliquez sur [Installer ce pilote quand même] et continuez l'installation.

## Commutation du réglage d'entrées/sorties

Procédez de la façon suivante pour commuter le réglage d'entrées/sorties lorsque le logiciel pilote est utilisé.

- Si des applications utilisant cet appareil comme dispositif audio par défaut (applications DJ, etc.) sont ouvertes, fermez-les avant de commuter le réglage d'entrées/sorties.
- La mise à jour de l'ordinateur n'est pas immédiate après la commutation du réglage d'entrées/sorties. Le réglage d'entrées/sorties ne peut pas être commuté pendant cette mise à jour.
- Le son peut ne pas être pourvu si les réglages d'entrées/sorties sur cet appareil et sur l'ordinateur sont différents. Dans ce cas, allumez cet appareil et refaites les réglages d'entrées/sorties avec le câble USB raccordé.
- Si le réglage d'entrées/sorties est commuté alors que DirectX est utilisé, l'application peut ne pas reconnaître le logiciel pilote.
- La communication MIDI est interrompue si le réglage d'entrées/sorties est commuté pendant une communication MIDI.

### ❖ Procédure de commutation (Windows)

Cliquez sur le menu [Démarrer] de Windows > [Tous les programmes] > [Pioneer] > [DJM-2000] > [Utilitaire de réglage du DJM-2000].

Commutez le réglage d'entrées/sorties de l'ordinateur.

- ASIO 4 sorties 0 entrées 16 bits DirectX 1 sortie 0 entrées
- ASIO 3 sorties 1 entrée 16 bits DirectX 1 sortie 1 entrée
- ASIO 3 sorties 0 entrées 24 bits DirectX 1 sortie 0 entrées

### ❖ Procédure de commutation (Macintosh)

Cliquez sur [Pomme] > [Préférences Système] > [Autre] > [Réglages du DJM-2000].

Commutez le réglage d'entrées/sorties de l'ordinateur.

- Sortie à 8 canaux Pas d'entrée 16 bits
- Sortie à 6 canaux Entrée à 2 canaux 16 bits
- Sortie à 6 canaux Pas d'entrée 24 bits

## Réglage de la taille de la mémoire tampon (Windows)

Procédez de la façon suivante pour régler la taille de la mémoire de l'ordinateur lorsque le logiciel pilote ASIO est utilisé.

Cliquez sur le menu [Démarrer] de Windows > [Tous les programmes] > [Pioneer] > [DJM-2000] > [Utilitaire de réglage du DJM-2000].

Le risque de perte sonore (interruption du son) diminue si une mémoire suffisamment grande est attribuée mais le retard (latence) dans la transmission du signal audio augmente.

- Si des applications utilisant cet appareil comme dispositif audio par défaut (applications DJ, etc.) sont ouvertes, fermez-les avant de régler la taille de la mémoire.

## Vérification de la version du pilote

### ❖ Procédure de vérification (Windows)

Cliquez sur le menu [Démarrer] de Windows > [Tous les programmes] > [Pioneer] > [DJM-2000] > [Utilitaire d'affichage de version de DJM-2000].

L'écran [Version] apparaît.

### ❖ Procédure de vérification (Macintosh)

Cliquez sur [Pomme] > [À propos de ce Mac] > [Plus d'infos] > [Extensions] > [DJM-2000 USB Audio].

L'écran [Version] apparaît.

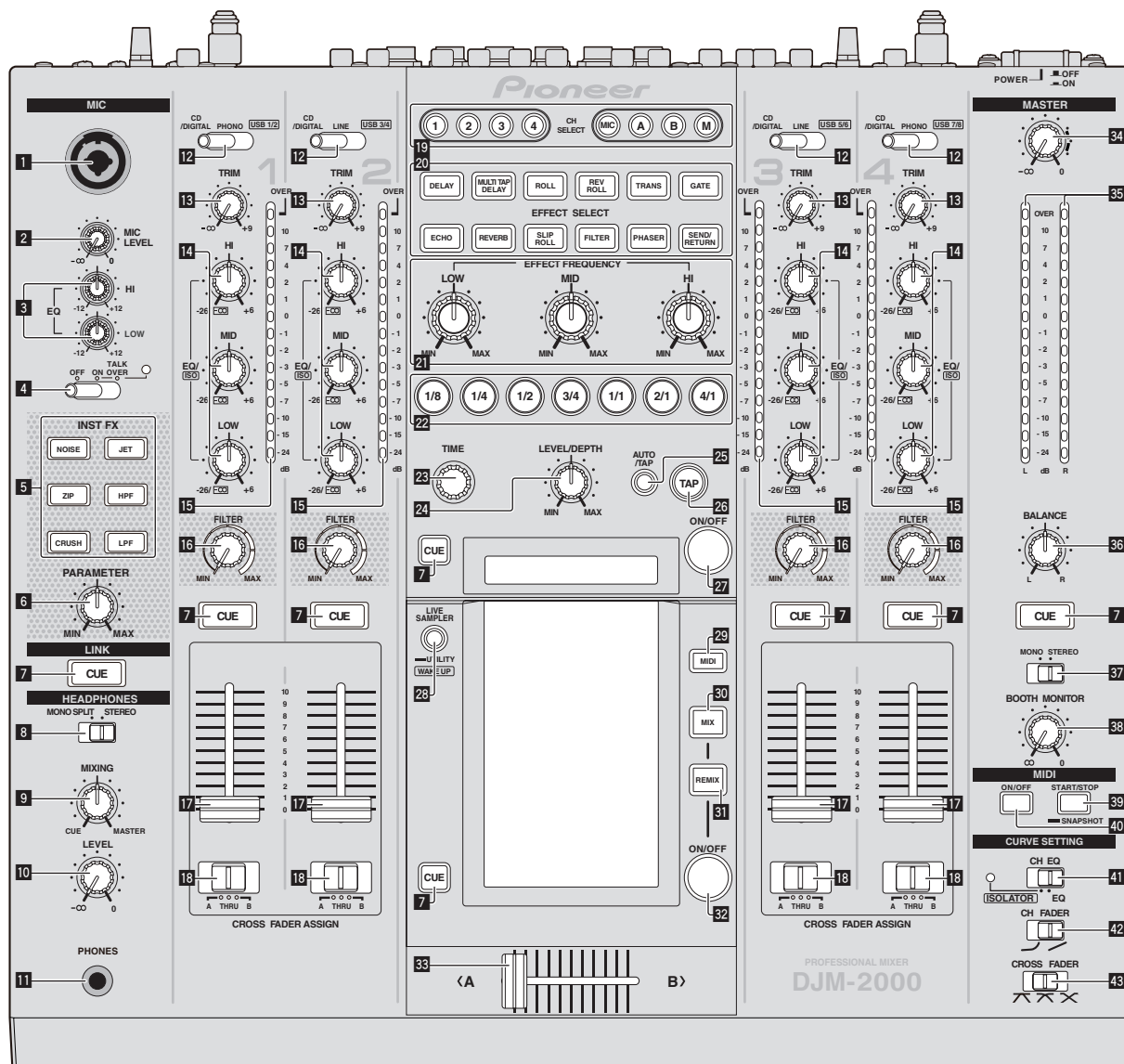
## Vérification des toutes dernières informations concernant le pilote

Les toutes dernières informations sur le pilote dédié exclusivement à cet appareil se trouve sur notre site à l'adresse suivante.

<http://www.prodjnet.com/support/>

# Opérations

## Panneau de commande



- |  |  |
|--|--|
| <ul style="list-style-type: none"> <li>1 Jack d'entrée microphone (la page 13)</li> <li>2 MIC LEVEL (la page 13)</li> <li>3 EQ (HI, LOW) (la page 13)</li> <li>4 OFF, ON, TALK OVER (la page 13)</li> <li>5 INST FX (la page 15)</li> <li>6 PARAMETER (la page 15)</li> <li>7 CUE (la page 12)</li> <li>8 MONO SPLIT, STEREO (la page 12)</li> <li>9 MIXING (la page 12)</li> <li>10 LEVEL (la page 12)</li> <li>11 PHONES (la page 12)</li> <li>12 CD/DIGITAL, PHONO, LINE, USB */* (la page 12)</li> <li>13 TRIM (la page 12)</li> <li>14 EQ/ISO (HI, MID, LOW) (la page 12)</li> <li>15 Indicateur de niveau de canal (la page 12)</li> <li>16 FILTER (la page 15)</li> </ul> | <ul style="list-style-type: none"> <li>17 Fader de canal (la page 12)</li> <li>18 CROSS FADER ASSIGN (A, THRU, B) (la page 12)</li> <li>19 CH SELECT (la page 16)</li> <li>20 EFFECT SELECT (la page 16)</li> <li>21 EFFECT FREQUENCY (HI, MID, LOW) (la page 16)</li> <li>22 Touches de battement (la page 16)</li> <li>23 TIME (la page 16)</li> <li>24 LEVEL/DEPTH (la page 16)</li> <li>25 AUTO/TAP (la page 16)</li> <li>26 TAP (la page 16)</li> <li>27 ON/OFF (BEAT EFFECT) (la page 16)</li> <li>28 LIVE SAMPLER (UTILITY, WAKE UP) (la page 15, la page 26)</li> <li>29 MIDI (la page 17)</li> <li>30 MIX (la page 14)</li> <li>31 REMIX (la page 14)</li> <li>32 ON/OFF (TOUCH PANEL EFFECT) (la page 14)</li> </ul> |
|--|--|

- 33 Crossfader (la page 12)
- 34 MASTER (la page 12)
- 35 Indicateur de niveau principal (la page 12)
- 36 BALANCE (la page 13)
- 37 MONO, STEREO (la page 13)
- 38 BOOTH MONITOR (la page 13)
- 39 START/STOP (SNAPSHOT) (la page 17)
- 40 ON/OFF (MIDI) (la page 16)
- 41 CH EQ (ISOLATOR, EQ) (la page 12)
- 42 CH FADER (↵, ↶) (la page 13)
- 43 CROSS FADER (↵, ↶, ✕) (la page 13)

---



---

## Opérations de base

---

### Restitution du son

#### 1 Appuyez sur [POWER]

Allumez cet appareil.

#### 2 Commutation du commutateur [CD/DIGITAL, PHONO, LINE, USB \*/\*]

Sélectionnez parmi les dispositifs raccordés à cet appareil les sources d'entrée prévues pour les différents canaux.

- [CD/DIGITAL] : Sélectionne le lecteur DJ raccordé aux prises [CD]. Pour sélectionner le lecteur DJ raccordé à la prise [DIGITAL IN], réglez le commutateur [CD, DIGITAL] sur le panneau arrière sur [DIGITAL].
- [PHONO] : Sélectionne le lecteur analogique raccordé aux prises [PHONO].
- [LINE] : Sélectionne la platine à cassette ou le lecteur CD raccordé aux prises [LINE].
- [USB \*/\*] : Sélectionne le son de l'ordinateur raccordé au port [USB].

#### 3 Tournez [TRIM]

Règle le niveau des signaux audio présents à l'entrée de chaque canal. L'indicateur de niveau du canal approprié s'allume lorsque des signaux audio sont transmis correctement à ce canal.

#### 4 Réglez le fader de canal sur la position intérieure

Règle le niveau des signaux audio présents à la sortie de chaque canal.

#### 5 Changez la position du commutateur [CROSS FADER ASSIGN (A, THRU, B)].

Commute la destination de la sortie de chaque canal.

- [A] : Affectation à [A] (gauche) du crossfader.
- [B] : Affectation à [B] (droite) du crossfader.
- [THRU] : Choisissez cette option si vous ne voulez pas utiliser le crossfader. (Les signaux ne passent pas par le crossfader.)

#### 6 Réglez le crossfader

Cette opération n'est pas nécessaire lorsque [CROSS FADER ASSIGN (A, THRU, B)] est réglé sur [THRU].

#### 7 Tournez la commande [MASTER].

Les signaux audio sont restitués par les prises [MASTER1] et [MASTER2]. L'indicateur de niveau principal s'allume.

---

## Réglage de la qualité du son

### Tournez les commandes [EQ/ISO (HI, MID, LOW)] des différents canaux.

Reportez-vous à la page 30, *Spécifications* pour la plage de réglage du son de chaque commande.

#### ❖ Commutation de la fonction [EQ/ISO (HI, MID, LOW)].

#### Changez la position du commutateur [CH EQ (ISOLATOR, EQ)].

- [ISOLATOR] : La fonction d'isolation est spécifiée. L'indicateur s'éclaire.
- [EQ] : La fonction d'égalisation est spécifiée.

---

## Contrôle du son par un casque

#### 1 Raccordez le casque à la prise [PHONES]

#### 2 Appuyez sur [CUE] du canal à contrôler

#### 3 Changez la position du commutateur [MONO SPLIT, STEREO].

- [MONO SPLIT] : Le son du canal pour lequel [CUE] est pressé provient du canal gauche de la sortie casque d'écoute tandis que le son de [MASTER] provient du canal droit.
- [STEREO] : Le son du canal pour lequel [CUE] est pressé provient du casque d'écoute et est restitué en stéréo.

#### 4 Tournez la commande [MIXING].

La balance du volume de contrôle entre le son du canal pour lequel [CUE] est pressée et le son du canal [MASTER] est ajustée.

#### 5 Tournez la commande [LEVEL] de [HEADPHONES].

Le son est restitué par le casque sur le canal sélectionné par [CUE].

- Le contrôle s'annule par un nouvel appui sur [CUE].
- Lorsque [LIVE SAMPLER] est en service, la touche [CUE] de TOUCH PANEL EFFECT et la touche [CUE] de [LINK] ne peuvent pas être pressées simultanément.



## Contrôle du son de l'ordinateur

- Vérifiez [Utiliser la fonction « LINK MONITOR » de table de mixage DJ Pioneer.] sous [Fichier] > [Préférences] > [Audio] dans rekordbox au préalable. Reportez-vous aussi au mode d'emploi de rekordbox.

### 1 Raccordez le casque à la prise [PHONES]

### 2 Raccordez un ordinateur sur lequel rekordbox est installé.

Pour les instructions sur le raccordement, reportez-vous à la page 7, *Raccordement des prises d'entrée*.

### 3 Sélection du morceau devant être contrôlé avec rekordbox

### 4 Appuyez sur la touche [CUE] de [LINK].

Le morceau sélectionné avec rekordbox est restitué par le casque d'écoute.

- Le contrôle s'annule par un nouvel appui sur [CUE].
- La même opération que dans *Contrôle du son par un casque* (étapes 3 à 5) peut être effectuée.

## Commutation de la courbe du fader

### ❖ Sélectionnez les caractéristiques de la courbe du fader de canal.

#### Changez la position du commutateur [CH FADER (↘, ↗)].

- [↘] : La courbe s'élève subitement à l'arrière.
- [↗] : La courbe s'élève graduellement (le son augmente graduellement lorsque le fader de canal s'éloigne de l'avant).

### ❖ Sélectionnez les caractéristiques de la courbe du crossfader.

#### Changez la position du commutateur [CROSS FADER (↗, ↘, ∞)].

- [↗] : Courbe croissant rapidement (quand le crossfader est éloigné du côté [A], les signaux audio sortent immédiatement du côté [B]).
- [↘] : Courbe se situant entre les deux courbes précédente et suivante.
- [∞] : Courbe croissant graduellement (quand le crossfader est éloigné du côté [A], le son du côté [B] augmente graduellement tandis que le son du côté [A] diminue graduellement).

## Lancement de la lecture sur un lecteur DJ avec le fader (lancement par le fader)

Lorsque cet appareil est raccordé à un lecteur DJ Pioneer par un câble LAN (fourni avec cet appareil) ou un cordon de commande (fourni avec le lecteur DJ), certaines opérations, comme le lancement de la lecture sur le lecteur DJ, peuvent être commandées par le fader de cet appareil. Raccordez cet appareil et le lecteur DJ Pioneer au préalable. Pour les instructions sur le raccordement, reportez-vous à la page 7, *Raccordement des prises d'entrée*.

### ❖ Lancer la lecture en utilisant le fader de canal

#### 1 Réglez [CROSS FADER ASSIGN (A, THRU, B)] sur [THRU].

#### 2 Réglez [FADER START] sur [ON].

Pour les instructions sur le réglage, reportez-vous à la page 26, *Changement des réglages*.

#### 3 Réglez le fader de canal sur la position la plus extérieure

#### 4 Spécifiez le repère sur le lecteur DJ

Le lecteur DJ se met en pause au point de repère.

#### 5 Réglez le fader de canal sur la position intérieure

La lecture démarre sur le lecteur DJ.

- Si vous ramenez le fader de canal à la position originale, le lecteur revient instantanément au point de repère déjà spécifié et interrompt la lecture (repère arrière).

### ❖ Lancer la lecture en utilisant le crossfader

#### 1 Réglez [CROSS FADER ASSIGN (A, THRU, B)] sur [A] ou [B].

#### 2 Réglez [FADER START] sur [ON].

Pour les instructions sur le réglage, reportez-vous à la page 26, *Changement des réglages*.

### 3 Réglez le crossfader

Réglez-le sur le côté opposé à celui sur lequel est réglé le canal que vous voulez utiliser pour le lancement au fader.

### 4 Spécifiez le repère sur le lecteur DJ

Le lecteur DJ se met en pause au point de repère.

### 5 Réglez le crossfader

La lecture démarre sur le lecteur DJ.

- Si vous ramenez le crossfader à la position originale, le lecteur revient instantanément au point de repère déjà spécifié et interrompt la lecture (repère arrière).

## Utilisation d'un microphone

### 1 Raccordez le microphone au jack d'entrée microphone.

### 2 Réglez [OFF, ON, TALK OVER] sur [ON] ou [TALK OVER].

- [ON] : L'indicateur s'éclaire.
- [TALK OVER] : L'indicateur clignote.
- Lorsque [TALK OVER] est spécifié, un son provenant d'une autre prise que la prise [MIC] est atténué de 20 dB (valeur par défaut) si un son de -15 dB (valeur par défaut) ou plus est transmis au microphone.

### 3 Tournez la commande [MIC LEVEL].

Ceci ajuste le niveau maximal du son provenant de la prise [MIC].

- Attention, car une rotation jusqu'à la position extrême droite produit un son très fort.

### 4 Fournissez des signaux audio au microphone

#### ❖ Réglage de la qualité du son

#### Tournez la commande [EQ (HI, LOW)] du canal [MIC].

Reportez-vous à la page 30, *Spécifications* pour la plage de réglage du son de chaque commande.

## Commutation du son entre mono et stéréo

Permet de commuter le son provenant des prises [MASTER1], [MASTER2], [BOOTH], [REC OUT], [PHONES], [DIGITAL OUT] et [USB] entre une restitution en monophonie et en stéréophonie.

#### Changez la position du commutateur [MONO, STEREO].

- [MONO] : Le son est en mono.
- [STEREO] : Le son est en stéréo.

#### ❖ Réglage de la balance G/D du son

La balance gauche/droite du son provenant des prises [MASTER1], [MASTER2], [BOOTH], [REC OUT], [PHONES], [DIGITAL OUT] et [USB] peut être ajustée.

#### 1 Réglez le commutateur [MONO, STEREO] sur [STEREO].

#### 2 Tournez [BALANCE]

La balance G/D du son varie selon le sens de rotation et la position de la commande [BALANCE].

- La voie droite d'un son stéréo est restituée lorsque la commande est tournée complètement vers la droite. La voie gauche d'un son stéréo est restituée lorsque la commande est tournée complètement vers la gauche.

## Le son est restitué par la prise [BOOTH].

#### Tournez [BOOTH MONITOR].

Règle le niveau des signaux audio présents en sortie à la prise [BOOTH].

## Opérations avancées

### À propos de PRO DJ LINK

Lorsqu'un lecteur DJ Pioneer compatible PRO DJ LINK (CDJ-2000, CDJ-900 etc.), un ordinateur sur lequel rekordbox est installé et cet appareil sont reliés par un câble LAN, les fonctions PRO DJ LINK suivantes peuvent être utilisées. Pour de plus amples informations sur la fonction PRO DJ LINK, reportez-vous aussi au mode d'emploi du lecteur DJ et au mode d'emploi de rekordbox. Pour les instructions sur le raccordement, reportez-vous à la page 7, *Raccordement des prises d'entrée*.

- En tout quatre lecteurs DJ peuvent être raccordés. En tout deux ordinateurs peuvent être raccordés.
- Raccordez les lecteurs DJ à la prise [LINK] ([CH1] à [CH4]) correspondant au numéro du canal auquel les câbles audio sont raccordés.
- Raccordez les ordinateurs à la prise [COMPUTER 1] ou [COMPUTER 2].

### ❖ Exportation SD & USB

Les fichiers de musique rekordbox et les données de gestion enregistrés sur des cartes mémoire SD/dispositifs USB raccordés à un CDJ-2000, CDJ-900, etc. peuvent être transférés d'un lecteur DJ à l'autre.

### ❖ Exportation rekordbox LINK

Cette fonction permet de transférer directement des fichiers de musique et des données de gestion rekordbox, ce qui rend l'exportation de données sur une carte mémoire SD ou un dispositif USB surperflue.

### ❖ LIVE SAMPLER

Le son présent à l'entrée de la prise [MIC] ou à la sortie des prises [MASTER] peut être échantillonné et lu sur un lecteur DJ.

### ❖ LINK MONITOR

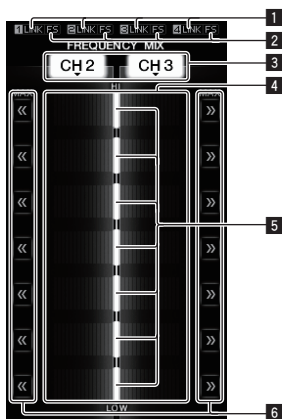
Avec cette fonction, les fichiers de musique rekordbox enregistrés sur l'ordinateur peuvent rapidement être contrôlés par le casque d'écoute.

### ❖ STATUS INFORMATION

Cette fonction indique aux lecteurs DJ l'état du canal raccordé (l'état d'émission, le numéro de canal, etc.).

## FREQUENCY MIX

Le son en cours de lecture se divise en sept bandes de fréquences qui sont représentées graphiquement. La commande des faders sur le panneau tactile permet une maîtrise plus fine, le mixage de deux canaux ou le changement d'instruments (parties).



1	LINK	Ces indicateurs s'allument lorsque les lecteurs DJ sont raccordés correctement aux prises [LINK].
2	FS	Ces indicateurs s'allument lorsque le lancement par le fader est en service.
3	Touches d'attribution des canaux	Ces touches sélectionnent les canaux devant être mixés.
4	Indication du niveau de volume	Le niveau du volume d'entrée vers cette fonction est indiqué en couleur claire et le niveau de volume de sortie de cette fonction est indiqué en couleur sombre.
5	Fader tactile	Ces crossfaders ajustent la balance du volume des canaux devant être mixés pour chaque bande de fréquences.
6	<< >>	Ces touches amènent immédiatement les faders tactiles sur le côté gauche ou droit.

### ❖ Pour mixer [CH2] et [CH3] :

Configurez cet appareil au préalable pour que le son de [CH3] soit émis par les prises [MASTER].

#### 1 Réglez les commutateurs [CROSS FADER ASSIGN (A, THRU, B)] de [CH2] et [CH 3] sur [THRU].

- Réglez les commutateurs [CROSS FADER ASSIGN (A, THRU, B)] des canaux devant être mixés sur [THRU].
- Si le crossfader est utilisé, il est conseillé de le mettre à la position centrale.

#### 2 Appuyez sur [MIX].

L'écran [FREQUENCY MIX] apparaît sur le panneau tactile.

#### 3 Appuyez sur les touches d'attribution des canaux pour sélectionner [CH2] pour le côté gauche, [CH3] pour le côté droit.

Les niveaux de volume des différentes bandes de fréquences du son en cours de lecture sur [CH3] sont indiqués sur la moitié droite du panneau tactile.

#### 4 Appuyez sur toutes les touches [ >> ].

Tous les faders tactiles se positionnent sur la droite.

#### 5 Appuyez sur [ON/OFF].

L'effet est mis en service.

[ON/OFF] clignote lorsque l'effet est en service.

#### 6 Déplacez le fader de canal de [CH2] vers l'arrière.

Les niveaux de volume des différentes bandes de fréquences du son en cours de lecture sur [CH2] sont indiqués sur la moitié gauche du panneau tactile.

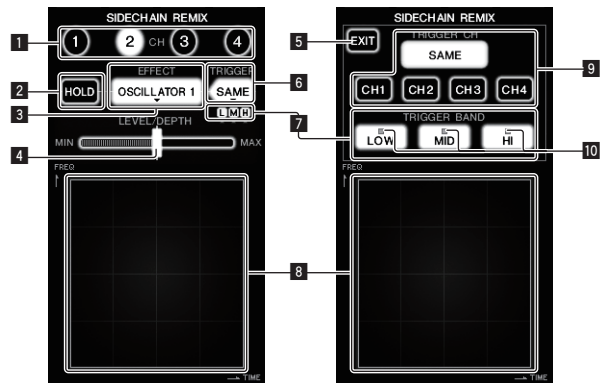
#### 7 Amenez le fader tactile vers le côté gauche.

Le son des bandes de fréquences dont les crossfaders ont été déplacés est mixé et restitué.

- Si vous appuyez une seconde fois sur [ON/OFF], l'effet est mis hors service.
- Pour passer du mode [FREQUENCY MIX] au mode [SIDECHAIN REMIX], appuyez d'abord sur la touche [ON/OFF] pour mettre l'effet hors service, puis appuyez sur [REMIX].

## SIDECHAIN REMIX

Lorsque cette fonction est utilisée, le son de la bande de fréquences spécifiée pour un canal précis peut être utilisé pour déclencher l'application des effets aux sons des autres canaux.



1	CH	Cette touche sélectionne le canal auquel l'effet sera appliqué.
2	HOLD	Maintient l'info du paramétrage de l'effet (la position où la zone de commande a été touchée).
3	EFFECT	Cette touche sélectionne le type d'effet.
4	LEVEL/DEPTH	Sert à régler le niveau de l'effet appliqué.
5	EXIT	Sert à fermer le menu [TRIGGER].
6	TRIGGER (SAMPLING/TRIGGER)	Sert à ouvrir le menu [TRIGGER].
7	TRIGGER BAND	Sert à sélectionner la bande de fréquences devant être utilisée pour le déclenchement.
8	Zone de commande	Sert à changer les paramètres de l'effet.
9	TRIGGER CH (SAMPLING/TRIGGER CH)	Cette touche sélectionne le canal devant être utilisé pour déclencher l'effet.
10	Indicateurs de déclenchement	Ces indicateurs clignotent selon le rythme détecté automatiquement pour les différentes bandes de fréquences.

### ❖ Pour régler sur [CH3] le canal pour l'échantillonnage et le déclenchement et mixer le son échantillonné avec le son de [CH2] :

Configurez cet appareil au préalable pour que le son de [CH2] soit émis par les prises [MASTER].

### 1 Appuyez sur [REMIX].

L'écran [SIDECHAIN REMIX] apparaît sur le panneau tactile.

### 2 Appuyez sur la touche [2] dans la section [CH].

Cette touche sélectionne le canal auquel l'effet sera appliqué.

### 3 Appuyez sur [EFFECT] et sélectionnez [SAMPLER].

Le type d'effet est sélectionné.

Nom de l'effet	Descriptions
OSCILLATOR1 – 4	Le son est créé à l'intérieur de cet appareil, mélangé au son du canal sélectionné dans la section [CH], puis restitué lors du déclenchement [TRIGGER CH (SAMPLING/TRIGGER CH)].
SAMPLER	Le son du canal sélectionné avec [TRIGGER CH (SAMPLING/TRIGGER CH)] est échantillonné, mélangé au son du canal sélectionné dans la section [CH], puis restitué lors du déclenchement [TRIGGER CH (SAMPLING/TRIGGER CH)].
PITCH	Le pitch du son du canal sélectionné dans la section [CH] change, les son est mélangé au son du canal sélectionné dans la section [CH], puis restitué lors du déclenchement [TRIGGER CH (SAMPLING/TRIGGER CH)].
GATE	Le son présent sur [CH] est restitué lors du déclenchement [TRIGGER CH (SAMPLING/TRIGGER CH)].

- Il n'est pas possible de sélectionner plusieurs effets simultanément.

### 4 Appuyez sur [TRIGGER (SAMPLING/TRIGGER)].

Le menu [TRIGGER] apparaît.

### 5 Dans [TRIGGER CH (SAMPLING/TRIGGER CH)], sélectionnez [CH3].

Le canal devant être utilisé pour le déclenchement de l'effet est sélectionné.

- Lorsque [SAME] est pressée, le même canal que celui sélectionné dans la section [CH] est sélectionné pour le déclenchement.

### 6 Dans [TRIGGER BAND], appuyez sur [MID] et [HI].

Ceci sélectionne la bande de fréquences spécifiée pour le déclenchement de l'effet.

Seul [LOW] (le son grave) est sélectionné.

### 7 Appuyez sur [ON/OFF].

L'effet est mis en service.

[ON/OFF] clignote lorsque l'effet est en service.

### 8 Touchez la zone de commande.

[O] apparaît à l'endroit où le panneau a été touché.

Le son [CH3] à l'endroit où la zone de commande a été touchée est échantillonné.

Déclenché par le son des basses fréquences de [CH3], le son échantillonné est mélangé au son de [CH2] (qui continue d'être lu normalement) puis est restitué par les prises [MASTER].

L'effet change lorsqu'un autre endroit de la zone de commande est touché.

- Si vous appuyez une seconde fois sur [ON/OFF], l'effet est mis hors service.
- Le son échantillonné est valide seulement lorsque la zone de commande est touchée.
- Pour passer du mode [SIDECHAIN REMIX] au mode [FREQUENCY MIX], appuyez d'abord sur la touche [ON/OFF] pour mettre l'effet hors service, puis appuyez sur [MIX].

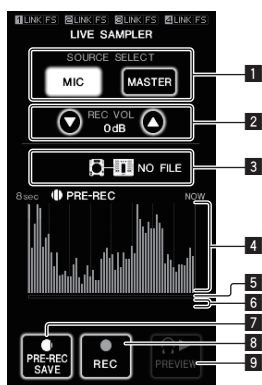
### ❖ Utilisation de [HOLD]

Lorsque [HOLD] est activé, l'info du paramétrage de l'effet est maintenue même si l'effet est hors service. L'info du paramétrage est effacée lorsque [HOLD] est désactivé.

- L'info du paramétrage et le son échantillonné sont effacés lorsque l'effet est changé.

## LIVE SAMPLER

Le son présent à l'entrée de la prise [MIC] ou à la sortie des prises [MASTER] peut être échantillonné et lu sur un lecteur DJ Pioneer compatible PRO DJ LINK. Reliez au préalable cet appareil et un lecteur DJ Pioneer compatible PRO DJ LINK. Pour les instructions sur le raccordement, reportez-vous à la page 7, *Raccordement des prises d'entrée.*



1	SOURCE SELECT	Sélectionnez la source devant être échantillonnée ici.
2	REC VOLUME	Sert à régler le volume pour l'enregistrement. Le volume peut être ajusté de -9 dB à +9 dB.

3	Indicateur d'état	Il indique l'état de l'appareil et si des données d'échantillonnage sont disponibles ou ne le sont pas.
4	Affichage de la forme d'onde	Le son apparaît sous forme d'onde.
5	Affichage des adresses de lecture	Le son apparaît sous forme de graphique en barres. Il n'est représenté ainsi que pendant la pré-écoute.
6	Curseur	Le son est lu à partir de l'endroit où le panneau tactile a été touché. Il n'est représenté ainsi que pendant la pré-écoute.
7	PRE-REC SAVE	Le son est échantillonné à compter d'un point situé 8 secondes avant l'exercice d'une pression sur la touche.
8	REC (REC STOP)	Le son est échantillonné pendant 8 secondes à compter du point où une pression est exercée sur la touche.
9	PREVIEW (STOP)	Permet de pré-écouter le son échantillonné par le casque d'écoute.

### ❖ Échantillonnage du son en cours de lecture

#### 1 Appuyez sur [LIVE SAMPLER].

L'écran [LIVE SAMPLER] apparaît sur le panneau tactile.

#### 2 Appuyez sur [MIC] ou [MASTER] dans [SOURCE SELECT].

Sert à sélectionner le canal devant être échantillonné.

#### 3 Appuyez sur [REC (REC STOP)].

Le son du canal sélectionné à l'étape 2 est échantillonné à compter du point où une pression a été exercée sur [REC (REC STOP)].

- L'échantillonnage peut durer 8 secondes.
- L'échantillonnage s'arrête automatiquement dans les 8 secondes qui suivent l'exercice d'une pression sur [REC (REC STOP)].

#### 4 Appuyez sur [REC (REC STOP)].

L'échantillonnage s'arrête. L'écran de sauvegarde de l'échantillon s'affiche.

### ❖ Échantillonnage du son à compter de 8 secondes avant

#### 1 Appuyez sur [LIVE SAMPLER].

L'écran [LIVE SAMPLER] apparaît sur le panneau tactile.

#### 2 Appuyez sur [MIC] ou [MASTER] dans [SOURCE SELECT].

Sert à sélectionner le canal devant être échantillonné.

#### 3 Appuyez sur [PRE-REC SAVE].

Le son du canal sélectionné à l'étape 2 est échantillonné à compter du point situé 8 secondes avant l'exercice d'une pression sur [PRE-REC SAVE].

- L'échantillonnage peut durer 8 secondes.

### ❖ Pré-écoute du son échantillonné

#### 1 Appuyez sur la touche [CUE] sur la gauche du panneau tactile.

#### 2 Appuyez sur [PREVIEW (STOP)].

La position de lecture est indiquée sur les écrans d'adresse de lecture et de curseur.

- Lorsque le curseur du panneau tactile est touché, le son échantillonné est lu à compter de cette position.

### ❖ Lecture du son échantillonné sur le lecteur DJ

Utilisez PRO DJ LINK pour accéder à cet appareil depuis le lecteur DJ.

Le son échantillonné (fichier audio) peut être chargé et lu sur le lecteur DJ.

## INST FX

Cet effet change en même temps que les commandes [FILTER] des différents canaux.

### 1 Appuyez sur une des touches [INST FX].

Le type d'effet est sélectionné.

La touche sur laquelle une pression a été exercée clignote.

- Le même effet est spécifié pour les canaux [CH1] à [CH4].

### 2 Tournez la commande [FILTER].

L'effet est appliqué à ou aux canaux correspondant aux commandes sur lesquelles une pression a été exercée.

Nom de l'effet	Descriptions	FILTER (paramètre 1)	PARAMETER (paramètre 2)
NOISE	Du bruit blanc provenant de l'intérieur de l'appareil est mélangé au son du canal via le filtre et émis.	Règle la fréquence de coupure du filtre par lequel le bruit blanc passe.	Règle le volume du bruit blanc.
ZIP	Abaisse le pitch du son du canal devant être reproduit.	Règle le niveau de décalage du pitch lors de l'abaissement du pitch.	Règle la balance entre le son original et le son sur lequel l'effet est appliqué.

Nom de l'effet	Descriptions	FILTER (paramètre 1)	PARAMETER (paramètre 2)
CRUSH	Change le son du canal devant être reproduit en un son aplani.	Règle le degré d'aplatissement du son entrant.	Plus la commande est tournée dans le sens horaire, plus l'effet est marqué.
JET	Ajoute un effet de flanger au son devant être reproduit.	Règle l'effet de flanger.	Plus la commande est tournée dans le sens horaire, plus l'effet est marqué.
HPF	Reproduit le son par le filtre passe-haut.	Règle la fréquence de coupure du filtre.	Plus la commande est tournée dans le sens horaire, plus l'effet est marqué.
LPF	Reproduit le son par le filtre passe-bas.	Règle la fréquence de coupure du filtre.	Plus la commande est tournée dans le sens horaire, plus l'effet est marqué.

## ❖ Réglage de l'effet du son auquel un effet est appliqué

### Tournez la commande [PARAMETER].

Plus la commande est tournée dans le sens horaire, plus l'effet est marqué. Lorsque la commande est tournée complètement dans le sens antihoraire, l'effet est minimal.

## BEAT EFFECT

Cette fonction permet de régler instantanément divers effets en fonction du tempo (BPM = Battements par minute) du morceau en cours de lecture.



1	AUTO (TAP)	[AUTO] s'éclaire lorsque le mode auto est spécifié comme mode de mesure BPM. [TAP] s'éclaire en mode de saisie manuelle.
2	Indication de la valeur du BPM (3 chiffres)	En mode auto, la valeur du BPM détectée automatiquement est indiquée. Lorsque le BPM ne peut pas être détecté, la valeur du BPM détecté antérieurement est indiquée et clignote. En mode de saisie manuelle, la valeur du BPM saisie manuellement est indiquée.
3	BPM	Cette indication reste allumée.
4	% (ms)	Ces indications s'éclairent selon l'unité des différents effets.

### 1 Appuyez sur [AUTO/TAP].

Sélectionnez le mode de mesure du BPM.

- AUTO : Le BPM du signal audio présent en entrée est automatiquement mesuré. AUTO est spécifié par défaut à la mise sous tension de l'appareil.
- TAP : Le BPM est spécifié manuellement en tapant sur [TAP].
- Le BPM peut être mesuré de 70 à 180 lorsque AUTO est sélectionné. Selon le morceau, il peut être impossible de mesurer correctement le BPM. La valeur du BPM clignote alors sur l'écran. Dans ce cas, utilisez la touche [TAP] pour spécifier le BPM manuellement.

### 2 Appuyez sur une des touches [CH SELECT].

Cette touche sélectionne le canal auquel l'effet sera appliqué.

- [1] – [4] : L'effet est appliqué aux sons des canaux [CH1] – [CH4].
- [MIC] : L'effet est appliqué au son du canal [MIC].
- [A], [B] : L'effet est appliqué au son du côté [A] (gauche) ou [B] (droit) du crossfader.
- [M] : L'effet est appliqué au son du canal [MASTER].

### 3 Appuyez sur une des touches [EFFECT SELECT].

Cette touche sélectionne le type d'effet.

- Pour les types d'effets, reportez-vous à la page 24, *Types de BEAT EFFECT*.
- Si [SEND/RETURN] est sélectionné, reportez-vous à *Utilisation du processeur d'effets externe* ci-dessous.

### 4 Appuyez sur une des touches de battement.

La fraction de temps utilisée pour synchroniser le son auquel l'effet est appliqué est sélectionnée.

La durée de l'effet correspondant à la fraction de battement se règle automatiquement.

- La fraction de temps peut être changée en tournant [TIME] tout en appuyant sur la touche de temps.

### 5 Appuyez sur [ON/OFF].

L'effet est appliqué au son.

La durée de l'effet peut être ajustée par une rotation de la commande [TIME].

Le niveau de l'effet peut être ajusté par une rotation de la commande [LEVEL/DEPTH].

[ON/OFF] clignote lorsque l'effet est en service.

- Si vous appuyez une seconde fois sur [ON/OFF], l'effet est mis hors service.

## ❖ Saisie manuelle du BPM

### Tapez au moins deux fois sur la touche [TAP] avec un doigt en suivant le temps (noire) du son en cours de lecture.

La valeur moyenne des intervalles auxquels la touche [TAP] est frappée est spécifiée comme BPM.

- Lorsque le BPM est spécifié avec la touche [TAP], la fraction de temps se règle sur 1/1, et la durée d'un temps (une noire) est spécifiée comme durée pour l'effet.
- Le BPM peut être spécifié manuellement en tournant la commande [TIME] tout en tenant la touche [TAP] enfoncée.
- Le BPM peut être réglé manuellement en maintenant [TAP] enfoncée et appuyant sur la touche de temps.
- Le BPM peut être réglé par unités de 0,1 en maintenant [TAP] et [AUTO/TAP] enfoncées et tournant [TIME].

## ❖ Réglage du niveau d'effet appliqué aux différentes bandes de fréquences

### Tournez la commande [EFFECT FREQUENCY (HI, MID, LOW)].

Reportez-vous à la page 24, *Types de BEAT EFFECT* pour les paramètres des effets pouvant être ajustés avec les différentes commandes.

## ❖ Utilisation du processeur d'effets externe

### 1 Reliez cet appareil et le générateur d'effets externe.

[SEND/RETURN] s'éclaire.

Pour les instructions sur le raccordement, reportez-vous à la page 7, *Raccordement des prises de sortie*.

### 2 Appuyez sur une des touches [CH SELECT].

Cette touche sélectionne le canal auquel l'effet sera appliqué.

### 3 Appuyez sur [SEND/RETURN].

[SEND/RETURN] clignote.

### 4 Appuyez sur [ON/OFF].

Le son transitant par le générateur d'effets externe est restitué.

- Si vous appuyez une seconde fois sur [ON/OFF], l'effet est mis hors service.

## Utilisation de la fonction MIDI

### ❖ Fonctionnement du logiciel DJ

La DJM-2000 fournit aussi les données de fonctionnement des touches et molettes dans le format MIDI. Si vous raccordez un ordinateur contenant un logiciel DJ compatible MIDI avec un câble USB, vous pourrez utiliser le logiciel DJ depuis cet appareil.

Installez le logiciel DJ au préalable sur votre ordinateur. Effectuez aussi les réglages audio et MIDI pour le logiciel DJ.

- Pour les instructions sur le réglage du canal MIDI, reportez-vous à la page 26, *Changement des réglages*.

### 1 Raccordez la prise [USB] de cet appareil à l'ordinateur.

Pour le détail sur les raccordements, reportez-vous à la page 8, *Raccordement à un ordinateur*.

### 2 Lancez le logiciel DJ.

### 3 Appuyez sur [ON/OFF] dans la section [MIDI].

Mettez la fonction MIDI en service.

La transmission des messages MIDI commence.

- Lorsque les faders et les commandes sont déplacés, des messages désignant les positions des faders et commandes sont envoyés. Pour les messages fournis par cet appareil, reportez-vous à la page 18, *Liste de messages MIDI*.
- Les messages MIDI désignant les positions de l'ensemble des touches, faders et commandes peuvent être envoyés en bloc en exerçant une pression de plus de 2 secondes sur la touche [START/STOP] (Fonction Instantanée).
- L'horloge de synchronisation MIDI (information du BPM) est envoyée quel que soit le réglage [ON/OFF].
- Si [ON/OFF] dans la section [MIDI] est de nouveau pressée, l'envoi de messages MIDI s'arrête.

## ❖ Envoi de messages de démarrage MIDI et d'arrêt MIDI

### Appuyez sur [START/STOP] dans la section [MIDI].

- Les messages de mise en marche MIDI et d'arrêt MIDI sont envoyés en alternance chaque fois que la touche [START/STOP] est pressée, que la fonction MIDI soit en ou hors service.

---

## Utilisation des écrans de commande MIDI

Cet appareil est pourvu de quatre types d'écrans de commande MIDI. Utilisez-les selon votre logiciel DJ.

### 1 Appuyez sur la touche [MIDI] sur la droite du panneau tactile.

L'écran [MIDI CONTROL] apparaît sur le panneau tactile.

### 2 Sélectionnez un type, de [TYPE A] à [TYPE D].

Le type d'écran de commande MIDI est sélectionné.

- Lorsqu'une pression est exercée sur [PAGE1] ou [PAGE2], la page affichée change.

### 3 Utilisez les touches ou les faders du panneau tactile.

La transmission des messages MIDI commence.

Pour les messages fournis par cet appareil, reportez-vous à la page 18, *Liste de messages MIDI*.

---

## Fonctionnement d'un séquenceur MIDI externe

Cet appareil envoie le tempo de la source en cours de lecture (les informations BPM) sous forme d'horloge de synchronisation MIDI. Il peut être utilisé pour synchroniser un séquenceur MIDI externe sur le tempo de la source.

- Les séquenceurs MIDI externes ne prenant pas en charge les horloges de synchronisation MIDI ne peuvent pas être synchronisés.
- Les séquenceurs MIDI externes ne peuvent pas être synchronisés sur les sources dont le BPM ne peut pas être mesuré de manière stable.
- Les horloges de synchronisation MIDI sont fournies même si les valeurs BPM ont été spécifiées manuellement en tapant du doigt la touche [TAP]. La plage de l'horloge de synchronisation MIDI va de 40 BPM à 250 BPM.

### 1 Raccordez la prise [MIDI OUT] à la prise MIDI IN du séquenceur MIDI externe avec un câble MIDI du commerce.

### 2 Réglez le mode sync du séquenceur MIDI externe sur le mode Slave.

### 3 Appuyez sur [START/STOP].

Le message de démarrage MIDI est envoyé.

### 4 Appuyez sur [ON/OFF] dans la section [MIDI].

La transmission des messages MIDI commence.



# Liste de messages MIDI

## Panneau de commande

Catégorie	Nom SW	Type SW	Messages MIDI						Déclenchement/ Basculement	Remarques
			MSB			LSB				
CH1	TRIM	VR	Bn	01	dd	—	—	—	—	0-127
	HI	VR	Bn	02	dd	—	—	—	—	0-127
	MID	VR	Bn	03	dd	—	—	—	—	0-127
	LOW	VR	Bn	04	dd	—	—	—	—	0-127
	FILTER	VR	Bn	05	dd	—	—	—	—	0-127
	Fader de canal	VR	Bn	11	dd	—	—	—	—	0-127
	CROSS FADER ASSIGN	SW	Bn	41	dd	—	—	—	—	0, 64, 127
	CUE	BTN	Bn	46	dd	—	—	—	Déclenchement/Basculement	OFF=0, ON=127
CH2	TRIM	VR	Bn	06	dd	—	—	—	—	0-127
	HI	VR	Bn	07	dd	—	—	—	—	0-127
	MID	VR	Bn	08	dd	—	—	—	—	0-127
	LOW	VR	Bn	09	dd	—	—	—	—	0-127
	FILTER	VR	Bn	0A	dd	—	—	—	—	0-127
	Fader de canal	VR	Bn	12	dd	—	—	—	—	0-127
	CROSS FADER ASSIGN	SW	Bn	42	dd	—	—	—	—	0, 64, 127
	CUE	BTN	Bn	47	dd	—	—	—	Déclenchement/Basculement	OFF=0, ON=127
CH 3	TRIM	VR	Bn	0C	dd	—	—	—	—	0-127
	HI	VR	Bn	0E	dd	—	—	—	—	0-127
	MID	VR	Bn	0F	dd	—	—	—	—	0-127
	LOW	VR	Bn	15	dd	—	—	—	—	0-127
	FILTER	VR	Bn	16	dd	—	—	—	—	0-127
	Fader de canal	VR	Bn	13	dd	—	—	—	—	0-127
	CROSS FADER ASSIGN	SW	Bn	43	dd	—	—	—	—	0, 64, 127
	CUE	BTN	Bn	48	dd	—	—	—	Déclenchement/Basculement	OFF=0, ON=127
CH4	TRIM	VR	Bn	50	dd	—	—	—	—	0-127
	HI	VR	Bn	51	dd	—	—	—	—	0-127
	MID	VR	Bn	5C	dd	—	—	—	—	0-127
	LOW	VR	Bn	52	dd	—	—	—	—	0-127
	FILTER	VR	Bn	53	dd	—	—	—	—	0-127
	Fader de canal	VR	Bn	14	dd	—	—	—	—	0-127
	CROSS FADER ASSIGN	SW	Bn	44	dd	—	—	—	—	0, 64, 127
	CUE	BTN	Bn	49	dd	—	—	—	Déclenchement/Basculement	OFF=0, ON=127
Crossfader	Crossfader	VR	Bn	0B	dd	—	—	—	—	0-127
CURVE SETTING	CH EQ (ISOLATOR, EQ)	SW	Bn	21	dd	—	—	—	—	0, 127
	CH FADER (↘, ↗)	SW	Bn	5E	dd	—	—	—	—	0, 127
	CROSS FADER (↖, ↗, ✕)	SW	Bn	5F	dd	—	—	—	—	0, 64, 127
MASTER	BALANCE	VR	Bn	17	dd	—	—	—	—	0-127
	Niveau MASTER	VR	Bn	18	dd	—	—	—	—	0-127
	CUE	BTN	Bn	4A	dd	—	—	—	Déclenchement/Basculement	OFF=0, ON=127
	BOOTH MONITOR	VR	Bn	19	dd	—	—	—	—	0-127
CH SELECT	1	BTN	Bn	22	dd	—	—	—	Déclenchement/Basculement <sup>1)</sup>	OFF=0, ON=127
	2	BTN	Bn	23	dd	—	—	—	Déclenchement/Basculement <sup>1)</sup>	OFF=0, ON=127
	3	BTN	Bn	24	dd	—	—	—	Déclenchement/Basculement <sup>1)</sup>	OFF=0, ON=127
	4	BTN	Bn	25	dd	—	—	—	Déclenchement/Basculement <sup>1)</sup>	OFF=0, ON=127
	MIC	BTN	Bn	26	dd	—	—	—	Déclenchement/Basculement <sup>1)</sup>	OFF=0, ON=127
	A	BTN	Bn	27	dd	—	—	—	Déclenchement/Basculement <sup>1)</sup>	OFF=0, ON=127
	B	BTN	Bn	28	dd	—	—	—	Déclenchement/Basculement <sup>1)</sup>	OFF=0, ON=127
	M	BTN	Bn	29	dd	—	—	—	Déclenchement/Basculement <sup>1)</sup>	OFF=0, ON=127

Catégorie	Nom SW	Type SW	Messages MIDI						Déclenchement/ Basculement	Remarques
			MSB			LSB				
BEAT EFFECT	TIME	VR	Bn	0D	MSB	Bn	2D	LSB	—	Valeur <b>TIME</b> (moitié de la valeur lorsque <b>FILTER</b> ou <b>PHASER</b> est sélectionné pour <b>EFFECT SELECT</b> )
	ON/OFF	BTN	Bn	40	dd	—	—	—	Déclenchement/Basculement	OFF=0, ON=127
	AUTO/TAP	BTN	Bn	45	dd	—	—	—	Déclenchement/Basculement	OFF=0, ON=127
	CUE	BTN	Bn	4B	dd	—	—	—	Déclenchement/Basculement	OFF=0, ON=127
	TAP	BTN	Bn	4E	dd	—	—	—	Déclenchement/Déclenchement	OFF=0, ON=127
	LEVEL/DEPTH	VR	Bn	5B	dd	—	—	—	—	0-127
EFFECT SELECT	DELAY	BTN	Bn	2A	dd	—	—	—	Déclenchement/Basculement <sup>[1]</sup>	OFF=0, ON=127
	MULTI TAP DELAY	BTN	Bn	2B	dd	—	—	—	Déclenchement/Basculement <sup>[1]</sup>	OFF=0, ON=127
	ROLL	BTN	Bn	2E	dd	—	—	—	Déclenchement/Basculement <sup>[1]</sup>	OFF=0, ON=127
	REV ROLL	BTN	Bn	2F	dd	—	—	—	Déclenchement/Basculement <sup>[1]</sup>	OFF=0, ON=127
	TRANS	BTN	Bn	35	dd	—	—	—	Déclenchement/Basculement <sup>[1]</sup>	OFF=0, ON=127
	GATE	BTN	Bn	3D	dd	—	—	—	Déclenchement/Basculement <sup>[1]</sup>	OFF=0, ON=127
	ECHO	BTN	Bn	37	dd	—	—	—	Déclenchement/Basculement <sup>[1]</sup>	OFF=0, ON=127
	REVERB	BTN	Bn	36	dd	—	—	—	Déclenchement/Basculement <sup>[1]</sup>	OFF=0, ON=127
	SLIP ROLL	BTN	Bn	3A	dd	—	—	—	Déclenchement/Basculement <sup>[1]</sup>	OFF=0, ON=127
	FILTER	BTN	Bn	3B	dd	—	—	—	Déclenchement/Basculement <sup>[1]</sup>	OFF=0, ON=127
	PHASER	BTN	Bn	39	dd	—	—	—	Déclenchement/Basculement <sup>[1]</sup>	OFF=0, ON=127
	SEND/RETURN	BTN	Bn	3E	dd	—	—	—	Déclenchement/Basculement <sup>[1]</sup>	OFF=0, ON=127
EFFECT FREQUENCY	HI	VR	Bn	66	dd	—	—	—	—	0-127
	MID	VR	Bn	67	dd	—	—	—	—	0-127
	LOW	VR	Bn	68	dd	—	—	—	—	0-127
INST FX	NOISE	BTN	Bn	55	dd	—	—	—	Déclenchement/Basculement <sup>[1]</sup>	OFF=0, ON=127
	ZIP	BTN	Bn	56	dd	—	—	—	Déclenchement/Basculement <sup>[1]</sup>	OFF=0, ON=127
	CRUSH	BTN	Bn	57	dd	—	—	—	Déclenchement/Basculement <sup>[1]</sup>	OFF=0, ON=127
	JET	BTN	Bn	69	dd	—	—	—	Déclenchement/Basculement <sup>[1]</sup>	OFF=0, ON=127
	HPF	BTN	Bn	6A	dd	—	—	—	Déclenchement/Basculement <sup>[1]</sup>	OFF=0, ON=127
	LPF	BTN	Bn	6B	dd	—	—	—	Déclenchement/Basculement <sup>[1]</sup>	OFF=0, ON=127
	PARAMETER	VR	Bn	6C	dd	—	—	—	—	0-127
MIC	HI	VR	Bn	1E	dd	—	—	—	—	0-127
	LOW	VR	Bn	1F	dd	—	—	—	—	0-127
HEADPHONES	LEVEL	VR	Bn	1A	dd	—	—	—	—	0-127
	MIXING	VR	Bn	1B	dd	—	—	—	—	0-127
LINK	CUE	BTN	Bn	73	dd	—	—	—	Déclenchement/Basculement	OFF=0, ON=127
Commande du panneau tactile	CUE	BTN	Bn	6E	dd	—	—	—	Déclenchement/Basculement	OFF=0, ON=127
	MIDI	BTN	Bn	6F	dd	—	—	—	Déclenchement/Basculement	OFF=0, ON=127
	MIX	BTN	Bn	70	dd	—	—	—	Déclenchement/Basculement <sup>[1]</sup>	OFF=0, ON=127
	REMIX	BTN	Bn	71	dd	—	—	—	Déclenchement/Basculement <sup>[1]</sup>	OFF=0, ON=127
	ON/OFF	BTN	Bn	72	dd	—	—	—	Déclenchement/Basculement	OFF=0, ON=127
MIDI	START	BTN	FA	—	—	—	—	—	—	—
	STOP	BTN	FC	—	—	—	—	—	—	—

[1] L'activation d'une touche désactive l'autre touche activée, et des messages de mise en/hors service de MIDI sont envoyés par les deux touches. Quand aucune touche n'est désactivée, seul le message de mise en service de MIDI est envoyé à la touche pressée.



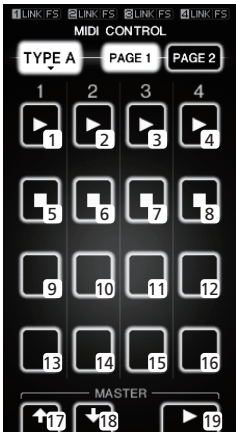
## Panneau tactile

### ❖ FREQUENCY MIX, SIDECHAIN REMIX

Catégorie	Nom SW	Type SW	Messages MIDI						Déclenchement/ Basculement	Remarques
			MSB			LSB				
FREQUENCY MIX	Fader tactile 1	VR	Bn	38	dd	—	—	—	—	0 - 127 (tout en haut de l'écran)
	Fader tactile 2	VR	Bn	4C	dd	—	—	—	—	0-127
	Fader tactile 3	VR	Bn	4D	dd	—	—	—	—	0-127
	Fader tactile 4	VR	Bn	74	dd	—	—	—	—	0-127
	Fader tactile 5	VR	Bn	75	dd	—	—	—	—	0-127
	Fader tactile 6	VR	Bn	76	dd	—	—	—	—	0-127
	Fader tactile 7	VR	Bn	77	dd	—	—	—	—	0 - 127 (tout en bas de l'écran)
SIDECHAIN REMIK	Axe X de la zone de commande	VR	Bn	1C	dd	—	—	—	—	0-127
	Axe Y de la zone de commande	VR	Bn	3C	dd	—	—	—	—	0-127
	LEVEL/DEPTH	VR	Bn	31	dd	—	—	—	—	0-127
	CH1	BTN	9n	49	dd	—	—	—	Déclenchement/Basculement	OFF=0, ON=127
	CH2	BTN	9n	4A	dd	—	—	—	Déclenchement/Basculement	OFF=0, ON=127
	CH3	BTN	9n	4B	dd	—	—	—	Déclenchement/Basculement	OFF=0, ON=127
	CH4	BTN	9n	4C	dd	—	—	—	Déclenchement/Basculement	OFF=0, ON=127
	TRIGGER CH (SAMPLING/TRIGGER CH) SAME	BTN	9n	51	dd	—	—	—	Déclenchement/Basculement	OFF=0, ON=127
	TRIGGER CH (SAMPLING/TRIGGER CH) CH1	BTN	9n	52	dd	—	—	—	Déclenchement/Basculement	OFF=0, ON=127
	TRIGGER CH (SAMPLING/TRIGGER CH) CH2	BTN	9n	53	dd	—	—	—	Déclenchement/Basculement	OFF=0, ON=127
	TRIGGER CH (SAMPLING/TRIGGER CH) CH3	BTN	9n	54	dd	—	—	—	Déclenchement/Basculement	OFF=0, ON=127
	TRIGGER CH (SAMPLING/TRIGGER CH) CH4	BTN	9n	55	dd	—	—	—	Déclenchement/Basculement	OFF=0, ON=127
	TRIGGER BAND LOW	BTN	9n	59	dd	—	—	—	Déclenchement/Basculement	OFF=0, ON=127
TRIGGER BAND MID	BTN	9n	5A	dd	—	—	—	Déclenchement/Basculement	OFF=0, ON=127	
TRIGGER BAND HI	BTN	9n	5B	dd	—	—	—	Déclenchement/Basculement	OFF=0, ON=127	

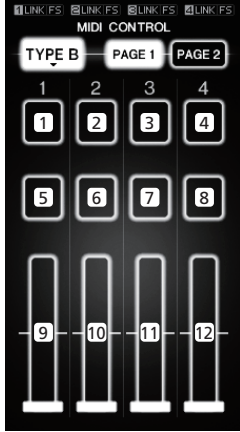
Catégorie	Position du commutateur	Type SW	Messages MIDI						Déclenchement/ Basculement	Remarques
			MSB			LSB				
	[PAGE1]-9	BTN	9n	5D	dd	—	—	—	Déclenchement/Basculement	OFF=0, ON=127
	[PAGE1]-10	BTN	9n	5E	dd	—	—	—	Déclenchement/Basculement	OFF=0, ON=127
	[PAGE1]-11	BTN	9n	5F	dd	—	—	—	Déclenchement/Basculement	OFF=0, ON=127
	[PAGE1]-12	BTN	9n	60	dd	—	—	—	Déclenchement/Basculement	OFF=0, ON=127
	[PAGE1]-13	BTN	9n	61	dd	—	—	—	Déclenchement/Basculement	OFF=0, ON=127
	[PAGE1]-14	BTN	9n	62	dd	—	—	—	Déclenchement/Basculement	OFF=0, ON=127
	[PAGE1]-15	BTN	9n	63	dd	—	—	—	Déclenchement/Basculement	OFF=0, ON=127
	[PAGE1]-16	BTN	9n	64	dd	—	—	—	Déclenchement/Basculement	OFF=0, ON=127
	[PAGE1]-5	BTN	9n	65	dd	—	—	—	Déclenchement/Basculement	OFF=0, ON=127
	[PAGE1]-6	BTN	9n	66	dd	—	—	—	Déclenchement/Basculement	OFF=0, ON=127
	[PAGE1]-7	BTN	9n	67	dd	—	—	—	Déclenchement/Basculement	OFF=0, ON=127
	[PAGE1]-8	BTN	9n	68	dd	—	—	—	Déclenchement/Basculement	OFF=0, ON=127
	[PAGE1]-1	BTN	9n	69	dd	—	—	—	Déclenchement/Basculement	OFF=0, ON=127
	[PAGE1]-2	BTN	9n	6A	dd	—	—	—	Déclenchement/Basculement	OFF=0, ON=127
	[PAGE1]-3	BTN	9n	6B	dd	—	—	—	Déclenchement/Basculement	OFF=0, ON=127
	[PAGE1]-4	BTN	9n	6C	dd	—	—	—	Déclenchement/Basculement	OFF=0, ON=127
	[PAGE1], [PAGE2]-17	BTN	9n	7D	dd	—	—	—	Déclenchement/Basculement	OFF=0, ON=127
	[PAGE1], [PAGE2]-18	BTN	9n	7E	dd	—	—	—	Déclenchement/Basculement	OFF=0, ON=127
	[PAGE1], [PAGE2]-19	BTN	9n	7F	dd	—	—	—	Déclenchement/Basculement	OFF=0, ON=127
	[PAGE2]-9	BTN	9n	6D	dd	—	—	—	Déclenchement/Basculement	OFF=0, ON=127
	[PAGE2]-10	BTN	9n	6E	dd	—	—	—	Déclenchement/Basculement	OFF=0, ON=127
	[PAGE2]-11	BTN	9n	6F	dd	—	—	—	Déclenchement/Basculement	OFF=0, ON=127
	[PAGE2]-12	BTN	9n	70	dd	—	—	—	Déclenchement/Basculement	OFF=0, ON=127
	[PAGE2]-13	BTN	9n	71	dd	—	—	—	Déclenchement/Basculement	OFF=0, ON=127
	[PAGE2]-14	BTN	9n	72	dd	—	—	—	Déclenchement/Basculement	OFF=0, ON=127
	[PAGE2]-15	BTN	9n	73	dd	—	—	—	Déclenchement/Basculement	OFF=0, ON=127
	[PAGE2]-16	BTN	9n	74	dd	—	—	—	Déclenchement/Basculement	OFF=0, ON=127
	[PAGE2]-5	BTN	9n	75	dd	—	—	—	Déclenchement/Basculement	OFF=0, ON=127
	[PAGE2]-6	BTN	9n	76	dd	—	—	—	Déclenchement/Basculement	OFF=0, ON=127
	[PAGE2]-7	BTN	9n	77	dd	—	—	—	Déclenchement/Basculement	OFF=0, ON=127
	[PAGE2]-8	BTN	9n	78	dd	—	—	—	Déclenchement/Basculement	OFF=0, ON=127
	[PAGE2]-1	BTN	9n	79	dd	—	—	—	Déclenchement/Basculement	OFF=0, ON=127
	[PAGE2]-2	BTN	9n	7A	dd	—	—	—	Déclenchement/Basculement	OFF=0, ON=127
	[PAGE2]-3	BTN	9n	7B	dd	—	—	—	Déclenchement/Basculement	OFF=0, ON=127
	[PAGE2]-4	BTN	9n	7C	dd	—	—	—	Déclenchement/Basculement	OFF=0, ON=127

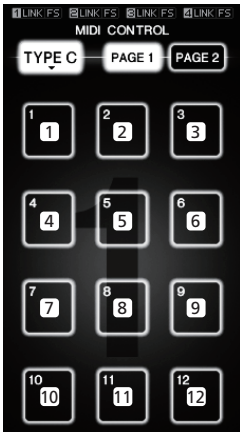
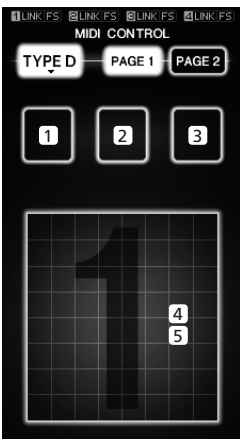
TYPE A



Catégorie	Position du commutateur	Type SW	Messages MIDI						Déclenchement/Basculement	Remarques
			MSB			LSB				
	[PAGE1]-9	VR	Bn	01	dd	—	—	—	—	0-127
	[PAGE1]-10	VR	Bn	02	dd	—	—	—	—	0-127
	[PAGE1]-11	VR	Bn	03	dd	—	—	—	—	0-127
	[PAGE1]-12	VR	Bn	04	dd	—	—	—	—	0-127
	[PAGE2]-9	VR	Bn	05	dd	—	—	—	—	0-127
	[PAGE2]-10	VR	Bn	06	dd	—	—	—	—	0-127
	[PAGE2]-11	VR	Bn	07	dd	—	—	—	—	0-127
	[PAGE2]-12	VR	Bn	08	dd	—	—	—	—	0-127
	[PAGE1]-1	BTN	9n	30	dd	—	—	—	Déclenchement/Basculement	OFF=0, ON=127
	[PAGE1]-2	BTN	9n	31	dd	—	—	—	Déclenchement/Basculement	OFF=0, ON=127
	[PAGE1]-3	BTN	9n	32	dd	—	—	—	Déclenchement/Basculement	OFF=0, ON=127
	[PAGE1]-4	BTN	9n	33	dd	—	—	—	Déclenchement/Basculement	OFF=0, ON=127
	[PAGE1]-5	BTN	9n	34	dd	—	—	—	Déclenchement/Basculement	OFF=0, ON=127
	[PAGE1]-6	BTN	9n	35	dd	—	—	—	Déclenchement/Basculement	OFF=0, ON=127
	[PAGE1]-7	BTN	9n	36	dd	—	—	—	Déclenchement/Basculement	OFF=0, ON=127
	[PAGE1]-8	BTN	9n	37	dd	—	—	—	Déclenchement/Basculement	OFF=0, ON=127
	[PAGE2]-1	BTN	9n	38	dd	—	—	—	Déclenchement/Basculement	OFF=0, ON=127
	[PAGE2]-2	BTN	9n	39	dd	—	—	—	Déclenchement/Basculement	OFF=0, ON=127
	[PAGE2]-3	BTN	9n	3A	dd	—	—	—	Déclenchement/Basculement	OFF=0, ON=127
	[PAGE2]-4	BTN	9n	3B	dd	—	—	—	Déclenchement/Basculement	OFF=0, ON=127
	[PAGE2]-5	BTN	9n	48	dd	—	—	—	Déclenchement/Basculement	OFF=0, ON=127
	[PAGE2]-6	BTN	9n	49	dd	—	—	—	Déclenchement/Basculement	OFF=0, ON=127
	[PAGE2]-7	BTN	9n	4A	dd	—	—	—	Déclenchement/Basculement	OFF=0, ON=127
	[PAGE2]-8	BTN	9n	4B	dd	—	—	—	Déclenchement/Basculement	OFF=0, ON=127

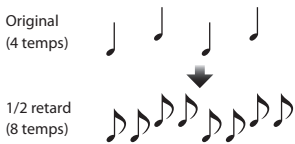
TYPE B



Catégorie	Position du commutateur	Type SW	Messages MIDI						Déclenchement/Basculement	Remarques
			MSB			LSB				
<b>TYPE C</b> 	[PAGE1]-1	BTN	9n	3C	dd	—	—	—	Déclenchement/Basculement	OFF=0, ON=127
	[PAGE1]-2	BTN	9n	3D	dd	—	—	—	Déclenchement/Basculement	OFF=0, ON=127
	[PAGE1]-3	BTN	9n	3E	dd	—	—	—	Déclenchement/Basculement	OFF=0, ON=127
	[PAGE1]-4	BTN	9n	3F	dd	—	—	—	Déclenchement/Basculement	OFF=0, ON=127
	[PAGE1]-5	BTN	9n	40	dd	—	—	—	Déclenchement/Basculement	OFF=0, ON=127
	[PAGE1]-6	BTN	9n	41	dd	—	—	—	Déclenchement/Basculement	OFF=0, ON=127
	[PAGE1]-7	BTN	9n	42	dd	—	—	—	Déclenchement/Basculement	OFF=0, ON=127
	[PAGE1]-8	BTN	9n	43	dd	—	—	—	Déclenchement/Basculement	OFF=0, ON=127
	[PAGE1]-9	BTN	9n	44	dd	—	—	—	Déclenchement/Basculement	OFF=0, ON=127
	[PAGE1]-10	BTN	9n	45	dd	—	—	—	Déclenchement/Basculement	OFF=0, ON=127
	[PAGE1]-11	BTN	9n	46	dd	—	—	—	Déclenchement/Basculement	OFF=0, ON=127
	[PAGE1]-12	BTN	9n	47	dd	—	—	—	Déclenchement/Basculement	OFF=0, ON=127
	[PAGE2]-1	BTN	9n	24	dd	—	—	—	Déclenchement/Basculement	OFF=0, ON=127
	[PAGE2]-2	BTN	9n	25	dd	—	—	—	Déclenchement/Basculement	OFF=0, ON=127
	[PAGE2]-3	BTN	9n	26	dd	—	—	—	Déclenchement/Basculement	OFF=0, ON=127
	[PAGE2]-4	BTN	9n	27	dd	—	—	—	Déclenchement/Basculement	OFF=0, ON=127
	[PAGE2]-5	BTN	9n	28	dd	—	—	—	Déclenchement/Basculement	OFF=0, ON=127
	[PAGE2]-6	BTN	9n	29	dd	—	—	—	Déclenchement/Basculement	OFF=0, ON=127
	[PAGE2]-7	BTN	9n	2A	dd	—	—	—	Déclenchement/Basculement	OFF=0, ON=127
	[PAGE2]-8	BTN	9n	2B	dd	—	—	—	Déclenchement/Basculement	OFF=0, ON=127
	[PAGE2]-9	BTN	9n	2C	dd	—	—	—	Déclenchement/Basculement	OFF=0, ON=127
	[PAGE2]-10	BTN	9n	2D	dd	—	—	—	Déclenchement/Basculement	OFF=0, ON=127
	[PAGE2]-11	BTN	9n	2E	dd	—	—	—	Déclenchement/Basculement	OFF=0, ON=127
	[PAGE2]-12	BTN	9n	2F	dd	—	—	—	Déclenchement/Basculement	OFF=0, ON=127
<b>TYPE D</b> 	[PAGE1]-1	BTN	9n	57	dd	—	—	—	Déclenchement/Basculement	OFF=0, ON=127
	[PAGE1]-2	BTN	9n	58	dd	—	—	—	Déclenchement/Basculement	OFF=0, ON=127
	[PAGE1]-3	BTN	9n	59	dd	—	—	—	Déclenchement/Basculement	OFF=0, ON=127
	[PAGE1]-4	VR	Bn	1C	dd	—	—	—	—	0-127
	[PAGE1]-5	VR	Bn	3C	dd	—	—	—	—	0-127
	[PAGE2]-1	BTN	9n	5A	dd	—	—	—	Déclenchement/Basculement	OFF=0, ON=127
	[PAGE2]-2	BTN	9n	5B	dd	—	—	—	Déclenchement/Basculement	OFF=0, ON=127
	[PAGE2]-3	BTN	9n	5C	dd	—	—	—	Déclenchement/Basculement	OFF=0, ON=127
	[PAGE2]-4	VR	Bn	31	dd	—	—	—	—	0-127
	[PAGE2]-5	VR	Bn	32	dd	—	—	—	—	0-127

## Types de BEAT EFFECT

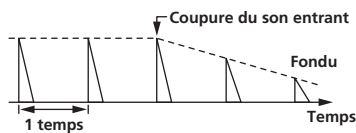
### DELAY<sup>1</sup>



Cette fonction reproduit un seul son avec retard selon la fraction de la touche de temps.  
Lorsqu'un son avec un retard d'un 1/2 temps est ajouté, 4 temps deviennent 8 temps.

Touches de temps (paramètre 1)	Sert à régler le retard de 1/8 à 4/1 par rapport à 1 temps de la durée du BPM.
TIME (paramètre 2)	Sert à régler le retard. 1 à 4000 (ms)
LEVEL/DEPTH (paramètre 3)	Sert à régler la balance entre le son original et le son auquel le retard est appliqué.
EFFECT FREQUENCY (paramètre 4)	Sert à régler la balance entre le son original et le son auquel le retard est appliqué pour les différentes bandes.

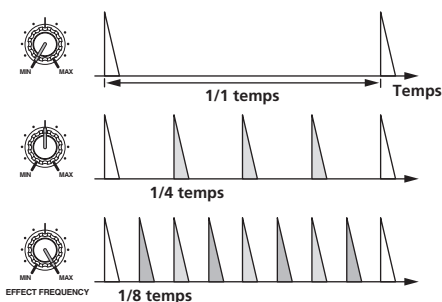
### ECHO<sup>1</sup> <sup>2</sup>



Cette fonction reproduit plusieurs fois des sons avec retard de plus en plus atténués selon la fraction de la touche de temps.  
Avec des échos à 1/1 temps, les sons avec retard s'affaiblissent selon le tempo du morceau même après la coupure du son entrant.

Touches de temps (paramètre 1)	Sert à régler le retard de 1/8 à 4/1 par rapport à 1 temps de la durée du BPM.
TIME (paramètre 2)	Sert à régler le retard. 1 à 4000 (ms)
LEVEL/DEPTH (paramètre 3)	Sert à régler la balance entre le son original et l'écho.
EFFECT FREQUENCY (paramètre 4)	Sert à régler la balance entre le son original et l'écho pour les différentes bandes.

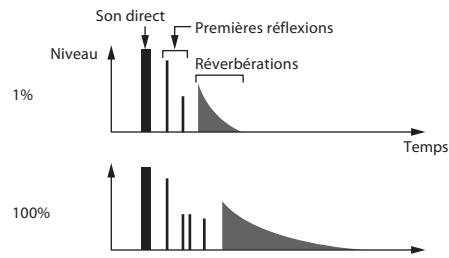
### MULTI TAP DELAY<sup>1</sup>



Cette fonction reproduit jusqu'à 7 sons avec retard en 1/8 d'unités, selon la fraction de la touche de temps.  
Le volume du son auquel le retard est appliqué peut être réglé avec les commandes [EFFECT FREQUENCY].  
Le volume des sons avec retard impair est ajusté de [MIN] à la position centrale et le volume des sons à retard pair est ajusté de la position centrale à [MAX].

Touches de temps (paramètre 1)	La durée de l'effet se règle de 1/8 à 4/1 par rapport à 1 temps de la durée BPM.
TIME (paramètre 2)	Sert à régler le retard. 10 à 4000 (ms)
LEVEL/DEPTH (paramètre 3)	Sert à régler la balance entre le son original et le son auquel le retard est appliqué.
EFFECT FREQUENCY (paramètre 4)	Sert à régler le volume du son auquel le retard est appliqué pour les différentes bandes.

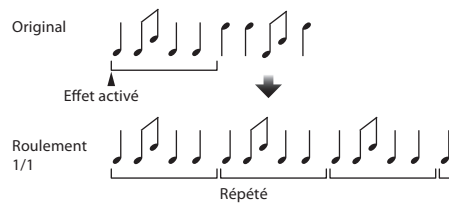
### REVERB<sup>1</sup> <sup>2</sup>



Cette fonction ajoute un effet de réverbération au son entrant.

Touches de temps (paramètre 1)	Ces touches déterminent le degré de l'effet de réverbération de 1 à 100%.
TIME (paramètre 2)	Sert à régler le degré de réverbération. 1 à 100 (%)
LEVEL/DEPTH (paramètre 3)	Règle la balance entre le son original et le son sur lequel l'effet est appliqué.
EFFECT FREQUENCY (paramètre 4)	Sert à régler la balance entre le son original et le son auquel l'effet est appliqué pour les différentes bandes.

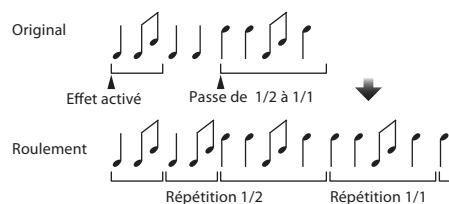
### ROLL<sup>1</sup> <sup>2</sup>



Cette fonction enregistre le son présent en entrée au moment où la touche [ON/OFF] est pressée et répète le son enregistré selon la fraction de la touche de temps.

Touches de temps (paramètre 1)	La durée de l'effet se règle de 1/8 à 4/1 par rapport à 1 temps de la durée BPM.
TIME (paramètre 2)	Sert à régler la durée de l'effet. 10 à 4000 (ms)
LEVEL/DEPTH (paramètre 3)	Sert à régler la balance entre le son original et ROLL.
EFFECT FREQUENCY (paramètre 4)	Sert à régler la balance entre le son original et ROLL pour les différentes bandes.

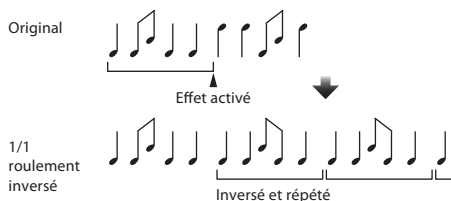
### SLIP ROLL<sup>1</sup> <sup>2</sup>



Cette fonction enregistre le son présent en entrée au moment où la touche [ON/OFF] est pressée et répète le son enregistré selon la fraction de la touche de temps.  
Lorsque la durée de l'effet change, le son entrant est de nouveau enregistré.

Touches de temps (paramètre 1)	La durée de l'effet se règle de 1/8 à 4/1 par rapport à 1 temps de la durée BPM.
TIME (paramètre 2)	Sert à régler la durée de l'effet. 10 à 4000 (ms)
LEVEL/DEPTH (paramètre 3)	Sert à régler la balance entre le son original et ROLL.
EFFECT FREQUENCY (paramètre 4)	Sert à régler la balance entre le son original et ROLL pour les différentes bandes.

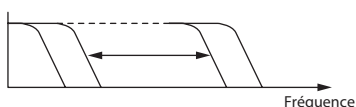
## REV ROLL <sup>1</sup> <sup>2</sup>



Cette fonction enregistre le son présent en entrée au moment où la touche **[ON/OFF]** est pressée, inverse le son enregistré et le répète selon la fraction de la touche de temps.

Touches de temps (paramètre 1)	La durée de l'effet se règle de <b>1/8 à 4/1</b> par rapport à 1 temps de la durée BPM.
TIME (paramètre 2)	Sert à régler la durée de l'effet. <b>10 à 4000</b> (ms)
LEVEL/DEPTH (paramètre 3)	Sert à régler la balance entre le son original et <b>ROLL</b> .
EFFECT FREQUENCY (paramètre 4)	Sert à régler la balance entre le son original et <b>ROLL</b> pour les différentes bandes.

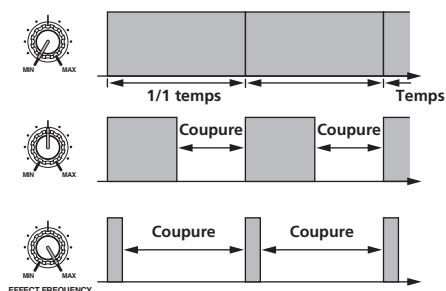
## FILTER <sup>1</sup>



Cette fonction change la fréquence de coupure du filtre selon la fraction de la touche de temps.

Touches de temps (paramètre 1)	Ces touches déterminent le cycle de déplacement de la fréquence de coupure de <b>1/8 à 4/1</b> par rapport à 1 temps de la durée BPM.
TIME (paramètre 2)	Sert à déterminer le cycle selon lequel la fréquence de coupure est déplacée. <b>10 à 32000</b> (ms)
LEVEL/DEPTH (paramètre 3)	Plus la commande est tournée dans le sens horaire, plus l'effet est marqué.
EFFECT FREQUENCY (paramètre 4)	Ces touches règlent la balance entre le son original et le son auquel l'effet est appliqué pour les différentes bandes.

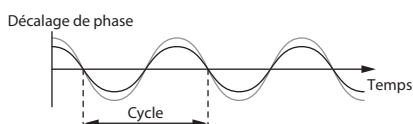
## TRANS <sup>1</sup>



Cette fonction coupe le son en fonction de la fraction de la touche de temps. L'amplitude du son devant être coupé peut être changé dans **[EFFECT FREQUENCY]**.

Touches de temps (paramètre 1)	Ces touches déterminent la durée de coupure <b>1/8 à 4/1</b> par rapport à 1 temps de la durée BPM.
TIME (paramètre 2)	Sert à régler la durée de l'effet. <b>10 à 16000</b> (ms)
LEVEL/DEPTH (paramètre 3)	Régule la balance entre le son original et le son sur lequel l'effet est appliqué.
EFFECT FREQUENCY (paramètre 4)	Sert à déterminer l'amplitude du son original devant être coupé pour les différentes bandes.

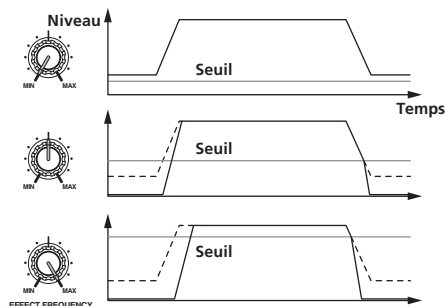
## PHASER <sup>1</sup>



L'effet du déphaseur change selon la fraction de la touche de temps.

Touches de temps (paramètre 1)	Ces touches déterminent le cycle selon lequel l'effet du déphaseur se déplace de <b>1/8 à 4/1</b> en fonction de la durée d'un temps BPM.
TIME (paramètre 2)	Sert à déterminer le cycle selon lequel l'effet du déphaseur se déplace. <b>10 à 32000</b> (ms)
LEVEL/DEPTH (paramètre 3)	Plus la commande est tournée dans le sens horaire, plus l'effet est marqué. Lorsque la commande est entièrement tournée à gauche, le son original seulement est émis.
EFFECT FREQUENCY (paramètre 4)	Sert à régler la balance entre le son original et le son auquel l'effet est appliqué pour les différentes bandes.

## GATE <sup>1</sup>

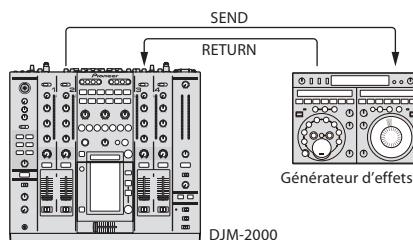


Cette fonction restitue le son entrant au-dessus du seuil et coupe le son entrant au-dessous du seuil.

Le niveau du seuil peut être changé dans **[EFFECT FREQUENCY]**.

Touches de temps (paramètre 1)	Sert à déterminer le temps de relâchement entre <b>1 et 100</b> %.
TIME (paramètre 2)	Sert à déterminer le temps de relâchement. <b>1 à 100</b> (%)
LEVEL/DEPTH (paramètre 3)	Régule le niveau du seuil. Plus la commande est tournée dans le sens horaire, plus l'effet est marqué et le son coupé.
EFFECT FREQUENCY (paramètre 4)	Sert à déterminer les seuils pour les différentes bandes.

## SEND/RETURN <sup>1</sup>



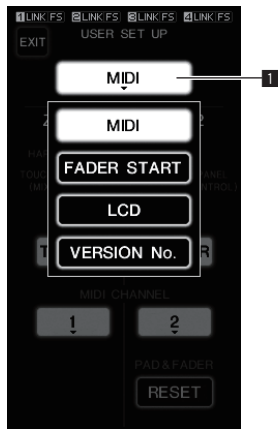
Raccordez un générateur d'effets externe, etc. ici. **[EFFECT FREQUENCY]** peut être utilisé comme isolateur.

Touches de temps (paramètre 1)	—
TIME (paramètre 2)	—
LEVEL/DEPTH (paramètre 3)	Sert à ajuster le niveau sonore à l'entrée de la prise <b>[RETURN]</b> .
EFFECT FREQUENCY (paramètre 4)	Sert à déterminer le niveau de sortie audio du son <b>RETURN</b> pour les différentes bandes.

<sup>1</sup> Lorsque "A", "B" ou "M" est sélectionné avec les touches **[CH SELECT]**, le son auquel l'effet est appliqué ne peut pas être contrôlé par une pression sur **[CUE]** (**BEAT EFFECT**) à moins que le son du canal que vous voulez contrôler provienne du canal **[MASTER]**.

<sup>2</sup> Lorsque **BEAT EFFECT** est hors service, le son auquel un effet est appliqué ne peut pas être contrôlé en exerçant une pression sur **[CUE]** (**BEAT EFFECT**).

# Changement des réglages



1 Touche de paramètres de configuration

## 1 Appuyez plus de 1 seconde sur [LIVE SAMPLER (UTILITY, WAKE UP)].

L'écran [USER SETUP] apparaît.

L'indicateur [LIVE SAMPLER (UTILITY, WAKE UP)] clignote.

- Pour afficher l'écran [CLUB SETUP], éteignez d'abord cet appareil, puis appuyez sur [POWER] tout en tenant [LIVE SAMPLER (UTILITY, WAKE UP)] enfoncé.

## 2 Appuyez sur la touche de paramètres de configuration.

Les paramètres pouvant être sélectionnés apparaissent.

## 3 Sélectionnez le paramètre de configuration.

Sélectionnez le paramètre sur le panneau tactile et validez.

## 4 Changez le réglage de ce paramètre.

Sélectionnez le paramètre sur le panneau tactile et validez.

- Appuyez sur [SAVE] pour sauvegarder les changements sur l'écran [CLUB SETUP].

## 5 Appuyez sur [EXIT].

L'écran [USER SETUP] se ferme.

- Pour fermer l'écran [CLUB SETUP], appuyez sur [POWER] pour éteindre cet appareil.

## Réglage des préférences

Les réglages indiqués en *italiques* sont les réglages par défaut définis en usine.

Mode	Réglages des options	Paramètre 1	Paramètre 2	Paramètre 3	Descriptions	
USER SETUP	MIDI	ZONE1 <sup>1</sup>	BUTTON ACTION	<i>TOGGLE</i> <i>TRIGGER</i>	Sélectionnez la méthode d'envoi des signaux MIDI, [ <i>TOGGLE</i> ] ou [ <i>TRIGGER</i> ].	
			MIDI CHANNEL	<i>1, 2 à 16</i>	Règle le canal MIDI.	
		ZONE2 <sup>2</sup>	BUTTON ACTION	<i>TOGGLE</i> <i>TRIGGER</i>	Sélectionnez la méthode d'envoi des signaux MIDI, [ <i>TOGGLE</i> ] ou [ <i>TRIGGER</i> ].	
			MIDI CHANNEL	<i>1, 2 à 16</i>	Règle le canal MIDI.	
		RESET	—	—	Rétablit les valeurs par défaut des réglages MIDI [ <i>TYPE A</i> ] – [ <i>TYPE D</i> ]. La fonction [RESET] est réservée à [ZONE2].	
	FADER START	LINK	CH1 à CH4	ON, OFF	—	Met en et hors service le lancement par le fader des lecteurs DJ raccordés aux prises [LINK].
		CONTROL	CH2, CH3	ON, OFF	—	Met en et hors service le lancement par le fader des lecteurs DJ raccordés aux prises [CONTROL].
	LCD	BACK LIGHT	1, 2, 3, 4, 5	—	—	Ajuste la luminosité du panneau tactile.
	VERSION No.	—	—	—	—	Affiche la version du logiciel du DJM-2000.
	CLUB SETUP	SYSTEM	DIGITAL OUT MAX LEVEL	<i>-19 dB, -15 dB, -10 dB, -5 dB</i>	—	—
DIGITAL SAMPLING RATE			48 kHz, <i>96 kHz</i>	—	—	Commute la fréquence d'échantillonnage du signal numérique.
AUTO STANDBY			ON, OFF	—	—	Met en et hors service la mise en veille automatique.
MIC		OUTPUT TO BOOTH MONITOR	ON, OFF	—	—	Détermine si les signaux audio du microphone doivent provenir des prises [BOOTH].
		TALK OVER THRESHOLD LEVEL	<i>-25 dB, -20 dB, -15 dB, -10 dB</i>	—	—	Règle la sensibilité du talkover. La fonction de talkover s'active lorsque le son transmis au microphone est à un volume supérieur au volume spécifié.
		TALK OVER LEVEL	<i>-25 dB, -20 dB, -15 dB, -10 dB</i>	—	—	Règle le niveau d'atténuation du son ne provenant pas du microphone quand la fonction talkover est activée.
		TOUCH PANEL	—	—	—	—
FACTORY RESET	YES, NO	—	—	—	Rétablit tous les réglages par défaut effectués en usine.	

<sup>1</sup> Change les réglages MIDI des touches sur le panneau de commande, [FREQUENCY MIX] et [SIDECHAIN REMIX].

<sup>2</sup> Change les réglages MIDI de [TYPE A] à [TYPE D] sur l'écran de commande MIDI.

## À propos de la mise en veille automatique

Lorsque [AUTO STANDBY] est réglé sur [ON], l'appareil se met automatiquement en veille au bout de 4 heures dans la mesure où les conditions suivantes sont remplies.

- Aucune des touches ou commandes de l'appareil ne sont actionnées.
- Aucun signal audio de **-10 dB** ou plus n'est transmis aux prises d'entrée de cet appareil.
- Aucune connexion PRO DJ LINK n'est effectuée.
- La mise en veille s'annule par une pression sur [LIVE SAMPLER (UTILITY, WAKE UP)].



# Informations supplémentaires

## En cas de panne

- Une erreur de commande est souvent prise pour une anomalie de fonctionnement ou une panne. Si vous estimez que cet appareil ne fonctionne pas correctement, vérifiez les points ci-dessous. Parfois, le problème peut provenir d'un autre composant. Examinez les autres composants et les appareils électriques utilisés. Si le problème persiste malgré les vérifications des points suivants, confiez les réparations au service après-vente Pioneer le plus proche ou à votre revendeur.
- De l'électricité statique ou des interférences externes ont peut être dérégulé le lecteur. Dans ce cas, il suffit probablement de débrancher puis de rebrancher le cordon d'alimentation pour que le lecteur fonctionne de nouveau.

Problème	Vérification	Solution
L'appareil ne s'allume pas.	Est-ce que le cordon d'alimentation est correctement raccordé ?	Branchez le cordon d'alimentation sur une prise secteur.
Aucun son ou son faible.	Est-ce que le commutateur [CD/DIGITAL, PHONO, LINE, USB */*] est à la bonne position ?	Réglez le commutateur [CD/DIGITAL, PHONO, LINE, USB */*] sur la source d'entrée du canal. (la page 12)
	Est-ce que les commutateurs [CD, DIGITAL] sur le panneau arrière sont réglés correctement ?	Réglez les commutateurs [CD, DIGITAL] selon les appareils devant être utilisés. (la page 12)
	Est-ce que les câbles de liaison sont correctement raccordés ?	Raccordez correctement les câbles de liaison. (la page 7)
	Est-ce que les prises et fiches sont sales ?	Nettoyez les prises et les fiches avant d'effectuer les raccordements.
Est-ce que le commutateur [MASTER ATT.] sur le panneau arrière est réglé sur [-6 dB], etc. ?	Est-ce que le commutateur [MASTER ATT.] sur le panneau arrière est réglé sur [-6 dB], etc. ?	Changez la position du commutateur [MASTER ATT.]. (la page 6)
	Est-ce que la fréquence d'échantillonnage (fs) de la sortie audio numérique correspond aux spécifications du dispositif raccordé ?	Sur l'écran [CLUB SETUP], réglez [DIGITAL SAMPLING RATE] en fonction des spécifications de l'équipement raccordé. (la page 26)
Le son numérique ne peut pas être restitué.	Est-ce que la fréquence d'échantillonnage (fs) de la sortie audio numérique correspond aux spécifications du dispositif raccordé ?	Sur l'écran [CLUB SETUP], réglez [DIGITAL SAMPLING RATE] en fonction des spécifications de l'équipement raccordé. (la page 26)
Distorsion du son.	Est-ce que le niveau de sortie du son provenant du canal microphone est réglé correctement ?	Réglez la molette [MASTER] de sorte que l'indicateur de niveau du canal principal s'éclaire près de [0 dB] au niveau de crête. (la page 12) Réglez [MASTER ATT.] sur [-3 dB] ou [-6 dB]. (la page 6)
	Est-ce que le niveau du son transmis à chaque canal est réglé correctement ?	Réglez la commande [TRIM] de sorte que l'indicateur de niveau du canal s'allume à environ [0 dB] au niveau de crête. (la page 12)
Impossible de faire un fondu enchaîné.	Est-ce que le commutateur [CROSS FADER ASSIGN] est réglé correctement ?	Réglez correctement le commutateur [CROSS FADER ASSIGN] du canal. (la page 12)
Départ au crossfader d'un lecteur DJ impossible.	Est-ce que [FADER START] est réglé sur arrêt ?	Réglez [FADER START] sur l'écran [USER SETUP]. (la page 13)
	Est-ce que le lecteur DJ est raccordé correctement à la prise [CONTROL] ?	Reliez la prise [CONTROL] et le lecteur DJ à l'aide d'un cordon de commande. (la page 7)
	Est-ce que le lecteur DJ est raccordé correctement à la prise [LINK] ?	Raccordez correctement le lecteur DJ à la prise [LINK] à l'aide d'un câble LAN. (la page 7)
	Est-ce que les câbles audio sont correctement raccordés ?	Raccordez les prises d'entrée audio de cet appareil et les prises de sortie audio du lecteur DJ par un câble audio. (la page 7)
La fonction BEAT EFFECT ne fonctionne pas.	Est-ce que les touches [CH SELECT] sont réglées correctement ?	Appuyez sur la ou les touches [CH SELECT] pour sélectionner la ou les canaux auxquels vous voulez appliquer l'effet.
[INST FX] ne fonctionne pas.	Est-ce que la commande [FILTER] est à la bonne position ?	Tournez la commande [FILTER] dans le sens horaire. (la page 15)
Impossible d'utiliser un processeur d'effets externe.	Est-ce que [ON/OFF] est réglé sur marche pour BEAT EFFECT ?	Appuyez sur [ON/OFF] pour activer [SEND/RETURN] de [BEAT EFFECT]. (la page 16)
	Est-ce que le processeur d'effets externe est raccordé correctement à la prise [SEND] ou [RETURN] ?	Raccordez le générateur d'effets externe aux prises [SEND] et [RETURN]. (la page 7)
Distorsion du son provenant du processeur d'effets externe.	Est-ce que la sortie audio du générateur d'effets externe est à un niveau approprié ?	Réglez le niveau de sortie audio du générateur d'effets externe.
Le tempo (BPM) ne peut pas être mesuré ou la valeur obtenue (BPM) n'est pas plausible.	Est-ce que le niveau d'entrée audio est trop élevé ou trop faible ?	Réglez la commande [TRIM] de sorte que l'indicateur de niveau du canal s'allume à environ [0 dB] au niveau de crête. (la page 12) Pour certains morceaux, il peut être impossible de mesurer le tempo (BPM). Dans ce cas, saisissez manuellement le tempo avec la touche [TAP]. (la page 16)
	—	Les valeurs peuvent être légèrement différentes selon la façon dont le BPM est mesuré. Il est inutile de le corriger.
Le tempo mesuré (BPM) diffère du tempo indiqué sur le CD.	—	Les valeurs peuvent être légèrement différentes selon la façon dont le BPM est mesuré. Il est inutile de le corriger.
	Le séquenceur MIDI ne se synchronise pas.	Est-ce que le mode sync du séquenceur MIDI est le mode Slave ? Est-ce que le séquenceur MIDI utilisé prend en charge les horloges de synchronisation MIDI ?
La commande MIDI ne fonctionne pas.	Est-ce que le canal MIDI est en service ?	Appuyez sur [ON/OFF] dans la section [MIDI]. (la page 16)
	Est-ce que les réglages MIDI sont corrects ?	Pour employer un logiciel DJ avec cet appareil, les messages MIDI de cet appareil doivent être affectés au logiciel DJ utilisé. Pour les instructions sur l'affectation des messages, reportez-vous au mode d'emploi de votre logiciel DJ.
Cet appareil n'est pas reconnu après avoir été raccordé à un ordinateur.	Est-ce que le pilote a été installé correctement sur votre ordinateur ?	Installez le logiciel pilote. Si le logiciel est déjà installé, réinstallez-le. (la page 8)
Le son d'un ordinateur ne peut pas être restitué par cet appareil.	Est-ce que cet appareil et l'ordinateur sont raccordés correctement ?	Raccordez cet appareil et l'ordinateur à l'aide d'un câble USB. (la page 8)
	Est-ce que les réglages du dispositif de sortie audio sont corrects ?	Sélectionnez cet appareil dans les réglages de dispositif de sortie audio. Pour les instructions sur les réglages à effectuer dans votre application, reportez-vous au mode d'emploi de votre application.
	Est-ce que le sélecteur d'entrée de votre appareil est réglé correctement ?	Réglez le sélecteur d'entrée du canal sur la position [USB */*]. (la page 12)
Rien ne se passe quand le panneau tactile est touché.	Le calibrage du panneau tactile est mauvais.	Ajustez le panneau tactile en effectuant les réglages [TOUCH PANEL] sur l'écran [CLUB SETUP]. (la page 26)
Le son auquel un effet est appliqué ne peut pas être contrôlé lorsque [CUE] de BEAT EFFECT est pressée.	—	Le circuit qui génère l'écho pour les sons auxquels les effets [ECHO], [REVERB], [ROLL], [SLIP ROLL] et [REV ROLL] sont appliqués est situé après le circuit d'effets, si bien que le contrôle n'est pas possible. Il ne s'agit pas d'un dysfonctionnement.

---

---

## À propos de l'écran à cristaux liquides

- Des petits points noirs ou brillants peuvent apparaître sur l'écran à cristaux liquides. Ce phénomène est inhérent aux écrans à cristaux liquides ; il ne s'agit pas d'une défectuosité.
- Utilisé dans un endroit froid, l'écran à cristaux liquides peut rester un moment sombre après la mise sous tension du DJM-2000. Sa luminosité devient normale un peu plus tard.
- Quand l'écran à cristaux liquides est exposé à la lumière directe du soleil, la lumière se reflète dessus et l'affichage peut être à peine visible. Dans ce cas, protégez l'écran de la lumière directe.

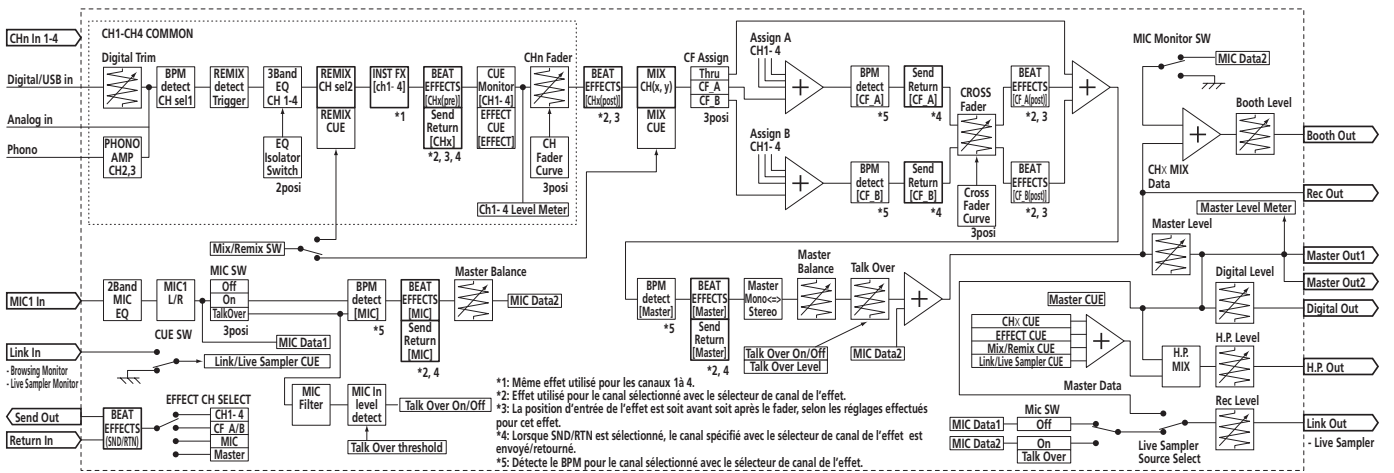
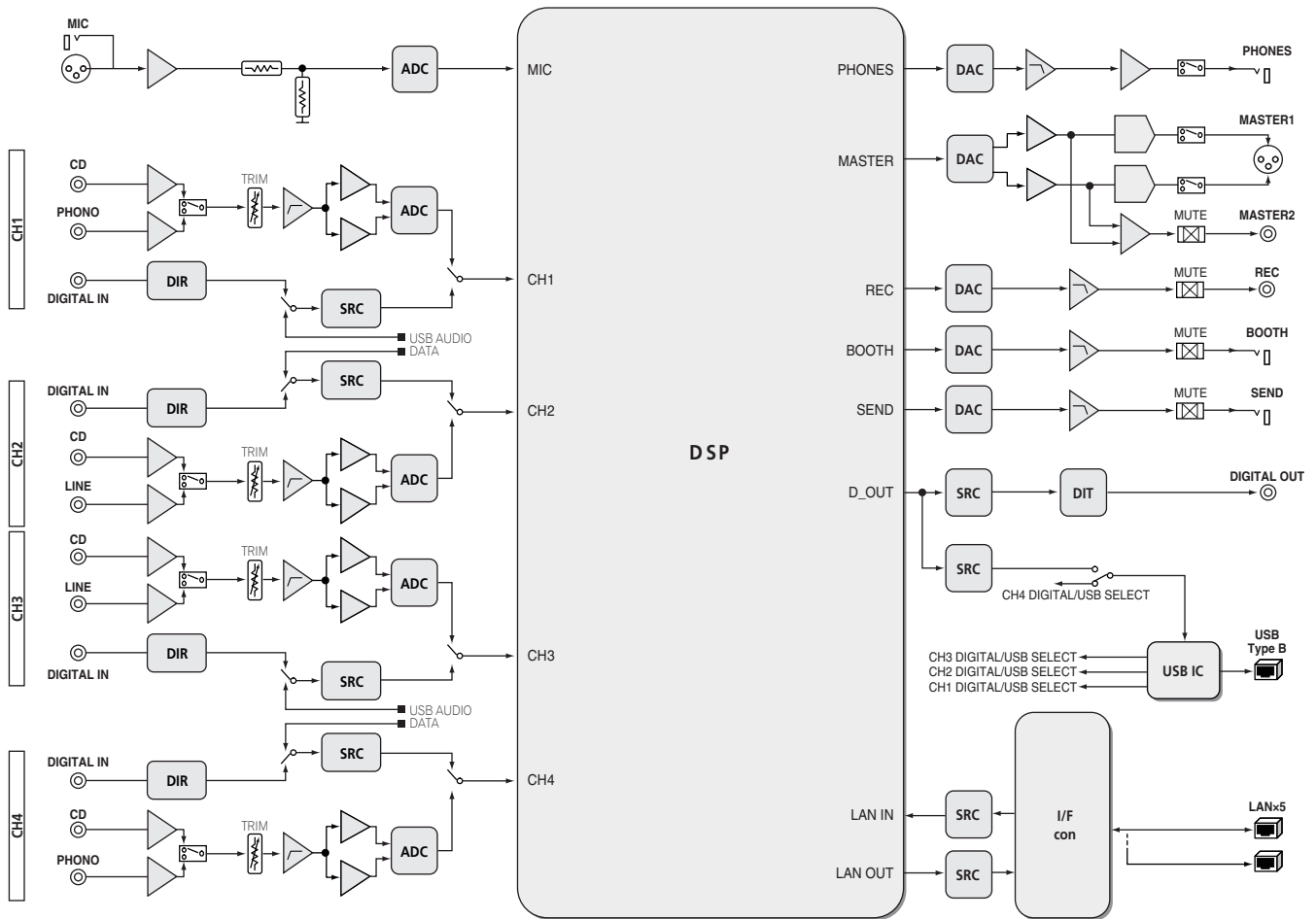
---

---

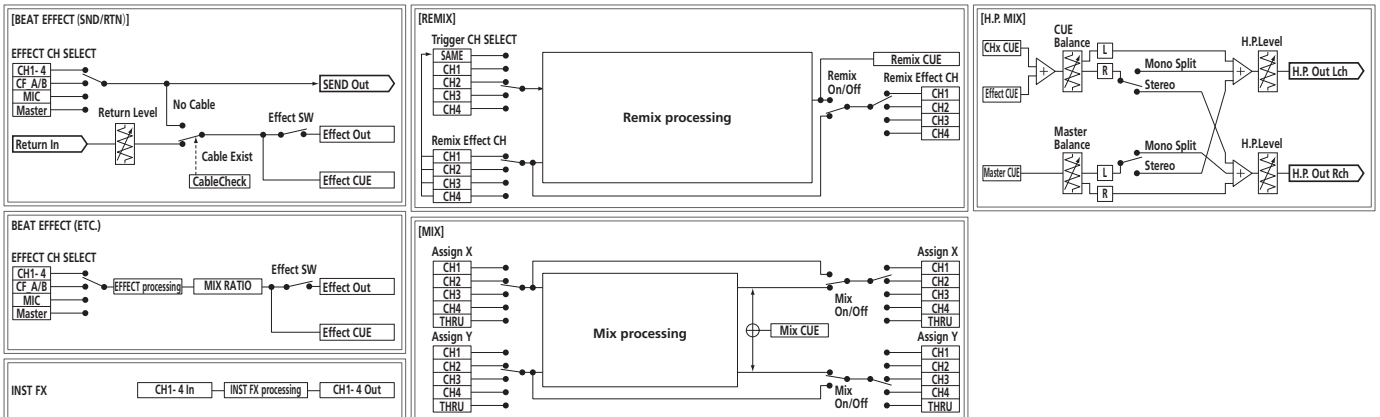
## À propos des clauses d'exemption

- Pioneer est une marque déposée de Pioneer Corporation.
- Microsoft®, Windows Vista® et Windows® sont des marques déposées ou des marques commerciales de Microsoft Corporation aux États-Unis et/ou dans d'autres pays.
- Pentium est une marque déposée de Intel Corporation.
- Adobe et Reader sont soit des marques déposées soit des marques commerciales de Adobe Systems Incorporated aux États-Unis et/ou dans d'autres pays.
- Apple, Macintosh ou Mac OS sont des marques déposées de Apple Inc. aux États-Unis et/ou dans d'autres pays.
- ASIO est une marque commerciale de Steinberg Media Technologies GmbH.
- Les noms de sociétés et de produits mentionnés ici sont des marques commerciales de leurs détenteurs respectifs.

# Schéma fonctionnel



- \*1: Même effet utilisé pour les canaux 1 à 4.
- \*2: Effet utilisé pour le canal sélectionné avec le sélecteur de canal de l'effet.
- \*3: La position d'entrée de l'effet est soit avant soit après le fader, selon les réglages effectués pour cet effet.
- \*4: Lorsque SND/RTN est sélectionné, le canal spécifié avec le sélecteur de canal de l'effet est envoyé/retourné.
- \*5: Détecte le BPM pour le canal sélectionné avec le sélecteur de canal de l'effet.



# Spécifications

## Général

Alimentation.....	CA 120 V, 60 Hz
Consommation.....	42 W
Consommation (en veille).....	0,4 W
Poids de l'appareil principal.....	8,5 kg
Dimensions extérieures.....	430 mm (L) x 107,9 mm (H) x 409 mm (P)
Température de fonctionnement tolérée.....	+5 °C à +35 °C
Humidité de fonctionnement tolérée.....	5 % à 85 % (sans condensation)

## Section audio

Fréquence d'échantillonnage.....	96 kHz
Convertisseur A/N, N/A.....	24 bits
Caractéristiques des fréquences	
<b>CD/LINE/MIC</b> .....	20 Hz à 20 kHz
Rapport S/B (sortie nominale)	
<b>PHONO</b> .....	93 dB
<b>CD/DIGITAL, LINE</b> .....	107 dB
<b>MIC</b> .....	85 dB
Distorsion harmonique totale ( <b>LINE — MASTER1</b> ).....	0,004 %
Niveau d'entrée standard / Impédance d'entrée	
<b>PHONO</b> .....	-52 dBu/47 k $\Omega$
<b>CD/LINE</b> .....	-12 dBu/47 k $\Omega$
<b>MIC</b> .....	-52 dBu/8 k $\Omega$
<b>RETURN</b> .....	-12 dBu/47 k $\Omega$
Niveau de sortie standard / Impédance de charge / Impédance de sortie	
<b>MASTER1</b> .....	+8 dBu/10 k $\Omega$ /1 $\Omega$ ou inférieur
<b>MASTER2</b> .....	+2 dBu/10 k $\Omega$ /22 $\Omega$ ou inférieur
<b>REC OUT</b> .....	-8 dBu/10 k $\Omega$ /22 $\Omega$ ou inférieur
<b>BOOTH</b> .....	+8 dBu/10 k $\Omega$ /1 k $\Omega$ ou inférieur
<b>SEND</b> .....	-12 dBu/10 k $\Omega$ /1 k $\Omega$ ou inférieur
<b>PHONES</b> .....	+8,5 dBu/32 $\Omega$ /1 $\Omega$ ou inférieur
Niveau de sortie nominal / Impédance de charge	
<b>MASTER1</b> .....	+26 dBu/10 k $\Omega$
<b>MASTER2</b> .....	+20 dBu/10 k $\Omega$
Diaphonie ( <b>LINE</b> ).....	82 dB
Caractéristiques de l'égaliseur de canal	
<b>HI</b> .....	-26 dB à +6 dB (13 kHz)
<b>MID</b> .....	-26 dB à +6 dB (1 kHz)
<b>LOW</b> .....	-26 dB à +6 dB (70 Hz)
Caractéristiques de l'égaliseur de microphone	
<b>HI</b> .....	-12 dB à +12 dB (10 kHz)
<b>LOW</b> .....	-12 dB à +12 dB (100 Hz)

## Prises d'entrée/sortie

Prise d'entrée <b>PHONO</b>	
Prise RCA.....	2
Prise d'entrée <b>CD</b>	
Prise RCA.....	4
Prise d'entrée <b>LINE</b>	
Prise RCA.....	2
Prise d'entrée <b>MIC</b>	
Connecteur XLR/Jack (Ø 6,3 mm).....	1
Prises d'entrée <b>RETURN</b>	
Jack (Ø 6,3 mm).....	1
Prise d'entrée coaxiale <b>DIGITAL IN</b>	
Prise RCA.....	4
Prise de sortie <b>MASTER</b>	
Connecteur XLR.....	1
Prise RCA.....	1
Prise de sortie <b>BOOTH</b>	
Jack (Ø 6,3 mm).....	1
Prise de sortie <b>REC OUT</b>	
Prise RCA.....	1
Prise de sortie <b>SEND</b>	
Jack (Ø 6,3 mm).....	1
Prise de sortie coaxiale <b>DIGITAL OUT</b>	
Prise RCA.....	1
Prise <b>MIDI OUT</b>	
5P DIN.....	1
Prise de sortie <b>PHONES</b>	
Jack stéréo (Ø 6,3 mm).....	1
Prise <b>USB</b>	
Type B.....	1
Prise <b>CONTROL</b>	
Minijack (Ø 3,5 mm).....	2
Prise <b>LINK</b>	
Prise LAN (100Base-TX).....	6

Les caractéristiques et la présentation peuvent être modifiées, sans avis préalable, dans un souci d'amélioration.



To register your product, find the nearest authorized service location, to purchase replacement parts, operating instructions, or accessories, please go to one of following URLs :

Pour enregistrer votre produit, trouver le service après-vente agréé le plus proche et pour acheter des pièces de rechange, des modes d'emploi ou des accessoires, reportez-vous aux URL suivantes :

**In the USA/Aux Etats-Unis**

<http://www.pioneerelectronics.com>

**In Canada/Aux Canada**

<http://www.pioneerelectronics.ca>

S018\_B1\_EnFr

Published by Pioneer Corporation.  
Copyright © 2010 Pioneer Corporation.  
All rights reserved.

Publication de Pioneer Corporation.  
© 2010 Pioneer Corporation.  
Tous droits de reproduction et de  
traduction réservés.

---

**PIONEER CORPORATION**

1-1, Shin-ogura, Saiwai-ku, Kawasaki-shi, Kanagawa 212-0031, Japan

**PIONEER ELECTRONICS (USA) INC.**

P.O. BOX 1540, Long Beach, California 90801-1540, U.S.A. TEL: (800) 421-1404

**PIONEER ELECTRONICS OF CANADA, INC.**

340 Ferrier Street, Unit 2, Markham, Ontario L3R 2Z5, Canada TEL: 1-877-283-5901, 905-479-4411

K002\_PSV\_CU

Printed in / Imprimé

<DRB1496-E>





## Free Manuals Download Website

<http://myh66.com>

<http://usermanuals.us>

<http://www.somanuals.com>

<http://www.4manuals.cc>

<http://www.manual-lib.com>

<http://www.404manual.com>

<http://www.luxmanual.com>

<http://aubethermostatmanual.com>

Golf course search by state

<http://golfingnear.com>

Email search by domain

<http://emailbydomain.com>

Auto manuals search

<http://auto.somanuals.com>

TV manuals search

<http://tv.somanuals.com>