



**PX2320MW**  
**LCD Monitor**


**USER'S GUIDE**

[www.planar.com](http://www.planar.com)



The information contained in this document is subject to change without notice. This document contains proprietary information that is protected by copyright. All rights are reserved. No part of this document may be reproduced, translated to another language or stored in a retrieval system, or transmitted by any means, electronic, mechanical, photocopying, recording, or otherwise, without prior written permission. Windows is a registered trademark of Microsoft, Inc. Other brand or product names are trademarks of their respective holders.

Important Recycle Instruction:

 LCD Lamp(s) inside this product contain mercury. This product may contain other electronic waste that can be hazardous if not disposed of properly. Recycle or dispose in accordance with local, state, or federal Laws. For more information, contact the Electronic Industries Alliance at [WWW.EIAE.ORG](http://WWW.EIAE.ORG). For lamp specific disposal information check [WWW.LAMPRECYCLE.ORG](http://WWW.LAMPRECYCLE.ORG).



---

# *Table of Contents*

---

## **Usage Notice**

<i>Precautions</i> .....	2
--------------------------	---

## **Introduction**

<i>About the Product</i> .....	3
<i>Package Overview</i> .....	4

## **Installation**

<i>Product Overview</i> .....	5
<i>Start Your Installation</i> .....	8

## **User Controls**

<i>Front Panel Controls</i> .....	10
<i>How to Use the OSD Menus</i> .....	11
<i>On-Screen Display Menus</i> .....	12

## **Appendices**

<i>Troubleshooting</i> .....	14
<i>Warning Signal</i> .....	15
<i>Product Dimensions</i> .....	16
<i>Compatibility Modes</i> .....	17

## *Usage Notice*



**Warning-** To prevent the risk of fire or shock hazards, do not expose this product to rain or moisture.



**Warning-** Please do not open or disassemble the product as this may cause electric shock.

### **Precautions**

*Follow all warnings, precautions and maintenance as recommended in this user's manual to maximize the life of your unit.*

#### **Do:**

- Turn off the product before cleaning.
- Use only a dry soft cloth or clean room wiper when cleaning the LCD Display screen surface.
- Use a soft cloth moistened with mild detergent to clean the display housing.
- Use only a high quality and safety approved AC/DC power adapter.
- Disconnect the power plug from the AC outlet if the product is not going to be used for an extended period of time.

#### **Don't:**

- Do not touch the LCD Display screen surface with sharp or hard objects.
- Do not use abrasive cleaners, waxes or solvents for your cleaning.
- Do not operate the product under the following conditions:
  - Extremely hot, cold or humid environment.
  - Areas susceptible to excessive dust and dirt.
  - Near any appliance generating a strong magnetic field.
  - Place in direct sunlight.

---

# *Introduction*

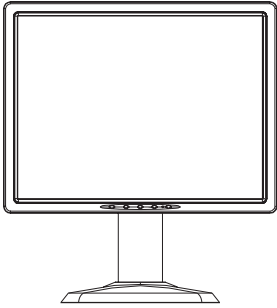
---

## **About the Product**

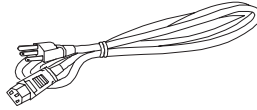
Having a 23.1" LCD display with an active matrix, thin-film transistor (TFT) liquid crystal display (LCD), this product also demonstrates the following outstanding features.

- ❑ Analog and Digital dual signal input
- ❑ Composite and S-Video signal input
- ❑ USB port connectivity
- ❑ 23.1" diagonal screen size
- ❑ 1920 x 1200 high resolution
- ❑ Wide Viewing Angle Technology
- ❑ 30 ~ 95 kHz horizontal scan
- ❑ 60 ~ 85 Hz refresh rate
- ❑ Auto Adjustment capability
- ❑ PIP (Picture-in-Picture) and PAP (Picture-and-picture) capability
- ❑ High quality full screen re-scaling capability
- ❑ Multiple aspect ratio selection (Native, Full, Aspect, Panorama)
- ❑ Internal power adaptor
- ❑ VESA DPMS power saving
- ❑ Built-in speaker for multimedia application
- ❑ Kensington lock capability

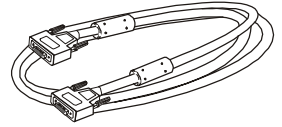
## Package Overview



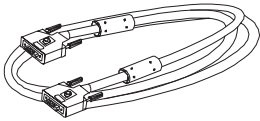
LCD Display



Power Cord



VGA Signal Cable



DVI-D Cable



Audio-In Cable



S-Video Cable



Video Cable



User's Guide



Landing Strip



USB Upstream Cable



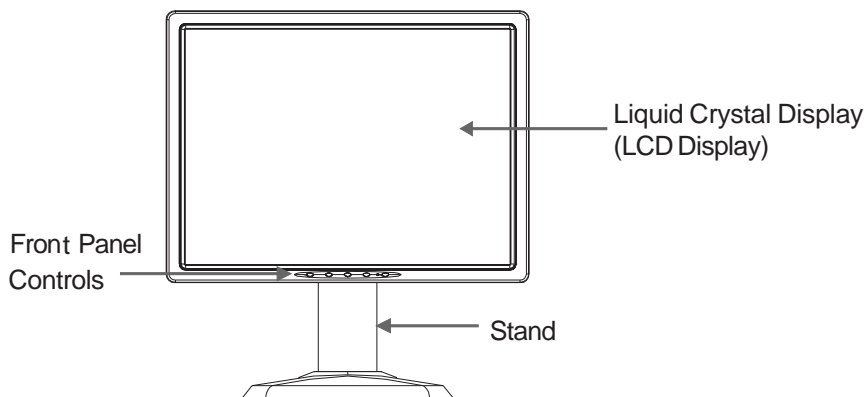
Family Product CD



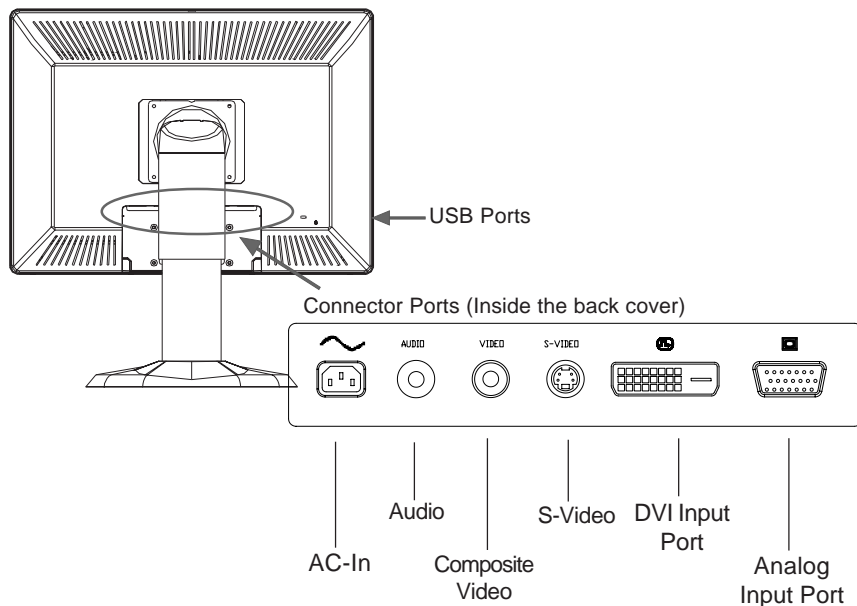
# *Installation*

## Product Overview

### ◆ Front View

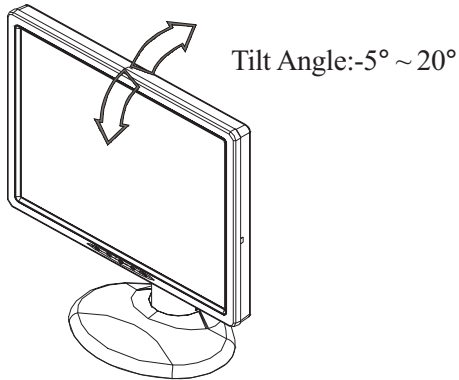


### ◆ Back View



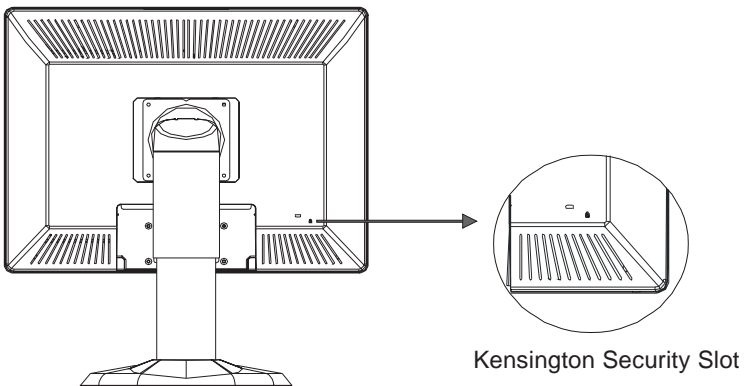
## ◆ Tilt

Grasp the LCD Display with both hands and adjust the tilt as desired.



## ◆ Kensington Security Slot

The monitor can be secured to your desk or any other fixed object with Kensington lock security products. Kensington lock is not included.

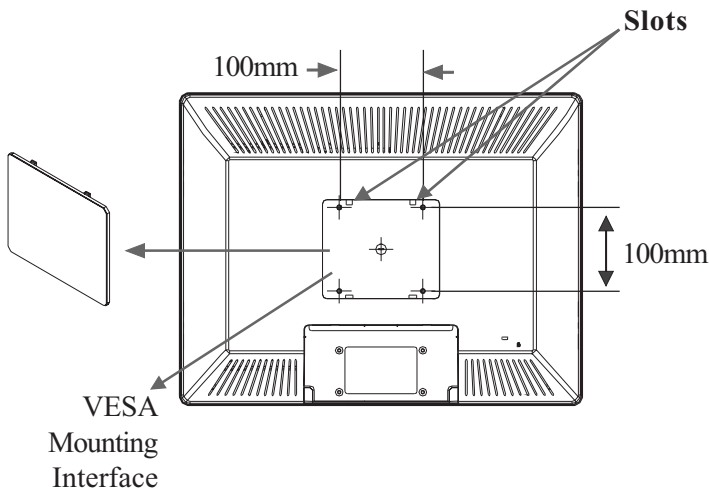


## ◆ VESA Mount on your monitor

This monitor conforms to the VESA Flat Panel Mounting Physical Mounting Interface Standard which defines a physical mounting interface for flat panel monitors, and corresponding standards for flat panel monitor mounting devices, such as wall and table arms. The VESA mounting interface is located on the back of your monitor.

The VESA Mounting slots of this model are located inside the rear cover (shown in the following figure).

To mount the monitor on a swing arm or other mounting fixture, follow the instruction included with the mounting fixture to be used.



### **⚠ Warning!**

Please select the proper screws!

The depth from plastic back cover to the bottom of the screw hole is 8mm. The spec is M4 screw.

## Start Your Installation

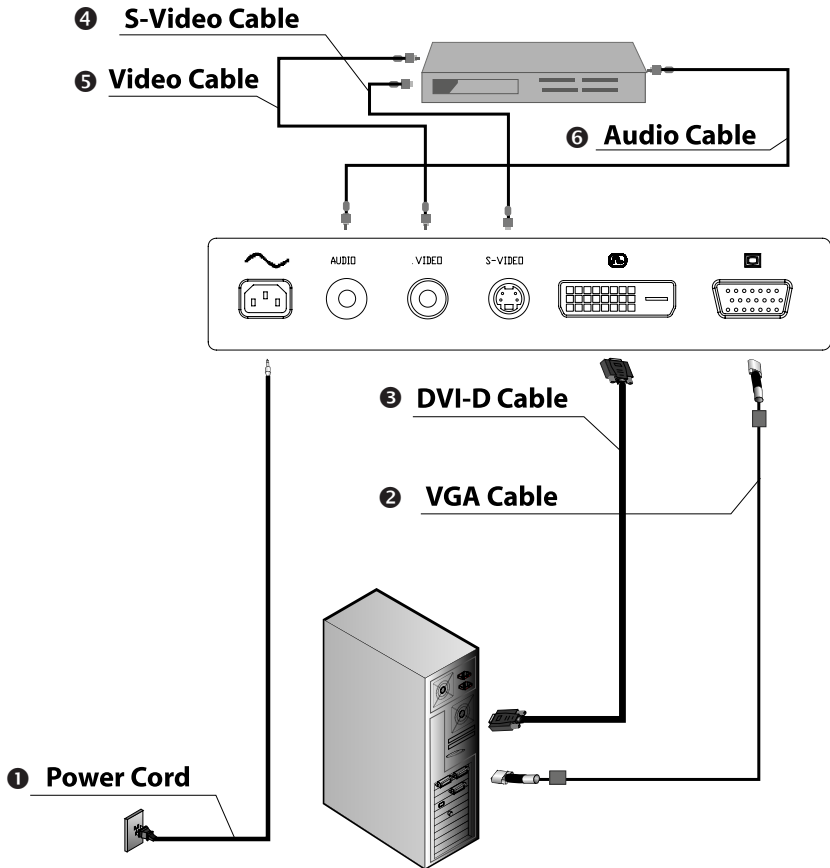
### ◆ Connecting the Display (Figure 10.1)

To setup this display, please refer to the following figure and procedures.

1. Be sure all equipment is turned off.
2. Connect the DC power cord to the power connector; plug one end of the AC power cord into the power adapter, and the other end into an electrical outlet(❶).
3. For the PC with Analog output: Connect the VGA signal cable from display VGA input connector to the 15-pin connector of your host computer and tighten the screws(❷).
4. For the PC with DVI digital output: Connect the DVI signal cable to the connector of the display card in your computer; connect the other side to the DVI-D input port of your display. Tighten the screws(❸).
5. If your video source uses a round, four-prong S-Video connector, please use the S-Video cable(❹).
6. If your video source uses a round, one-prong composite video connector, please use the video cable(❺).
7. If your audio source uses a round, one-prong composite audio connector, please use the audio cable(❻).
8. Turn on your computer, display and video source.

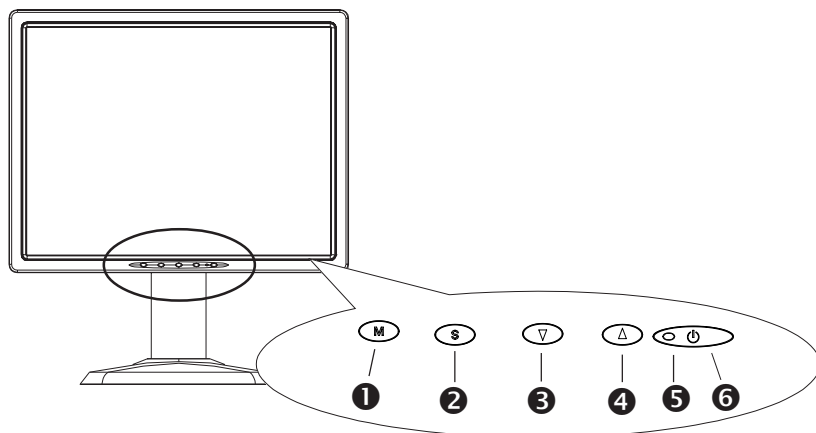
**Notice:** To ensure the LCD Display will work well with your computer, please configure the display mode of your graphics card to make it less than or equal to 1920 x 1200 resolution and make sure the timing of the display mode is compatible with the LCD screen. We have listed the "Compatibility Modes" of this LCD screen in appendices for your reference.

Figure 10.1



# User Controls

## Front Panel Controls



No/Icon	Control	Function
❶ MENU	Menu button	To Enter / Exit the OSD menus.
❷ SELECT	1. Auto 2. Select	1.To activate the"Auto Adjustment" function to obtain an optimum image. 2.To Select the adjustment items from the OSD menu.
❸ ▼	1. Brightness 2. Adjust	1. Enters the Brightness OSD menu. 2. Allows you to highlight and adjust items in the OSD menu.
❹ ▲	1. Mute 2. Adjust	1. To turn the volume On / Off. 2. Allows you to highlight and adjust items in the OSD menu.
❺	Power LED	1. Green indicates the display is turned on. 2. Amber indicates the display is in power-save mode.
❻ ⏻	Power switch	Switches On / Off power to the LCD display.

## How to Use the OSD Menu

1. Press the “MENU” button to pop up the on-screen menu and to select among the six Main Menus.
2. Choose the adjustment items by pressing the “SELECT” button.
3. Adjust the value of the adjustment items by pressing the “▼” or “▲” button.
4. After a period of inactivity the OSD menu will automatically disappear.

# On-Screen Display Menus

## 1. VGA / DVI Input

Main Menu	Menu Level 2	Menu Level 3	Function Description
Volume			To adjust the sound volume.
Contrast			To adjust the contrast of the image
Color			1. To adjust the color temperature. 2. Allows you to adjust the red, green and blue colors of the display.
PIP	PIP Mode		1. PIP Mode On/Off. 2. Allows you to select PIP, PAP model.
	Source		Allows you to select Video, and S-Video
	Size		Allows you to adjust size of display.
	H. Position		Allows you to move the horizontal position of the PIP window.
	V. Position		Allows you to move the vertical position of the PIP window.
Source			Allows you to select VGA, DVI, Video, and S-Video model.
Advanced	Image	Aspect Ratio	Used to size the image being displayed in several different ways. Native:Displays the incoming image as it is. Full:Resizes the image to fill the the whole screen. Aspect:Fill to aspect ratio.
		Clock	Changes the displays data frequency to match the frequency of your graphics card. When you experience a vertical flickering bar,use this function to make an adjustment.
		Phase	Synchronizes the signal timing of the display to that of the graphics card. When you experience an unstable to flickering image,use this function to make an adjustment.
		H. Position	Changes the horizontal position of the image.
		V. Position	Changes the vertical position of the image.
	OSD	Language	Allows you to choose the OSD menu language.
		Time-out	To adjust the amount of time the OSD menu is to remain displayed.
		H. Position	Allows you to move the horizontal position of the OSD window.
		V. Position	Allows you to move the vertical position of the OSD window.
	Information		Display the timing mode.
	Reset		To return the display parameters of the current mode to their factory default settings.



## 2. Video Input

Main Menu	Menu Level 2	Menu Level 3	Function Description
Volume			To adjust the sound volume.
Contrast			To adjust the contrast of the image
Color			Allows you to adjust the Saturation, Tint, Flesh Tone and Black Level of the display.
PIP	PIP Mode		1. PIP Mode On/Off. 2. Allows you to select PIP, PAP model.
	Source		Allows you to select Video, and S-Video
	Size		Allows you to adjust size of display.
	H. Position		Allows you to move the horizontal position of the PIP window.
	V. Position		Allows you to move the vertical position of the PIP window.
Source			Allows you to select VGA, DVI, Video, and S-Video model.
Advanced	Image	Sharpness	Adjusts the sharpness of the image.
		Aspect Ratio	Used to size the image being displayed in several different ways. Native:Displays the incoming image as it is. Full:Resizes the image to fill the the whole screen. Aspect:Fill to aspect ratio. Panorama:Non-linear scaling is available for aspect ratio conversion.
		Noise Reduction	Noise reduction is implemented noise reduction filters to the video data.
	OSD	Language	Allows you to choose the OSD menu language.
		Time-out	To adjust the amount of time the OSD menu is to remain displayed.
		H. Position	Allows you to move the horizontal position of the OSD window.
		V. Position	Allows you to move the vertical position of the OSD window.
	Information		Display the timing mode.
	Reset		To return the display parameters of the current mode to their factory default settings.

# Appendix

## Troubleshooting

*If you are experiencing trouble with the LCD display, refer to the following trouble shooting. If the problem persists, please contact your local dealer or our service center.*

***Problem: No image appears on screen.***

- ▶ Check that all the I/O and power connectors are correctly and well connected as described in the “Installation” section.
- ▶ Make sure the pins of the connectors are not crooked or broken.

***Problem: Partial image or incorrectly displayed image.***

- ▶ Check to see if the resolution of your computer is higher than that of the LCD Display.
- ▶ Reconfigure the resolution of your computer to make it less than or equal to 1920 x 1200.

***Problem: Image has vertical flickering line bars.***

- ▶ Use “Clock” to make an adjustment.
- ▶ Check and reconfigure the display mode of the vertical refresh rate of your graphics card to make it compatible with the LCD Display.

***Problem: Image is unstable and flickering***

- ▶ Use “Phase” to make an adjustment.

***Problem: Image is scrolling***

- ▶ Check and make sure the VGA signal cable (or adapter) is well connected.
- ▶ Check and reconfigure the display mode of the vertical refresh rate of your graphics card to make it compatible with the LCD Display.

***Problem: Vague image (characters and graphics)***

- ▶ Use “Clock” to make an adjustment. If this problem still exists, use “Phase” to make an adjustment.

## Warning Signal

*Sometimes you may see warning messages for this LCD Display. This means that the LCD Display cannot correctly receive the signal from the computer graphics card.*

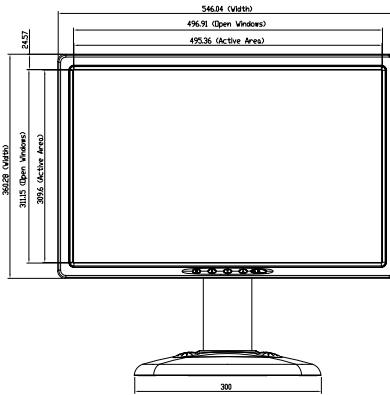
### ▶ **No Input Signal**

This message means that the LCD Display has been powered on but it cannot receive any signal from the computer graphics card. Check all the power switches, power cables, and VGA signal cable.

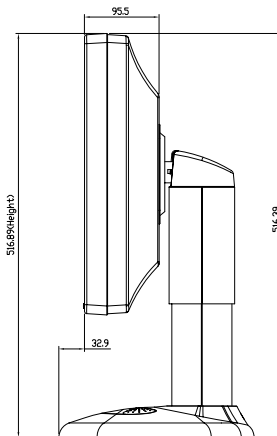
### ▶ **Signal Out Of Range**

This message means that the signal of the computer graphics card is not compatible with the LCD Display. When the signal is not included in the compatibility mode we have listed in the Appendices of this manual, the LCD Display will show this message.

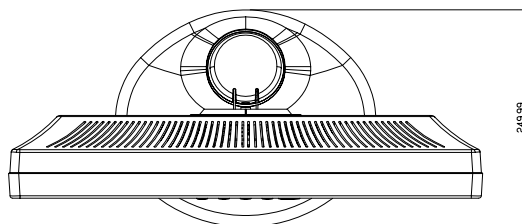
# Product Dimensions



Front View



Side View



Top View

# Compatibility Modes

Mode	Resolution	V. Frequency (Hz)	H. Frequency (kHz)
IBM VGA	640 x 350	70.00	31.46
IBM VGA	720 x 400	70.08	31.46
VESA DMT	640 x 480	59.94	31.46
VESA DMT	640 x 480	75.00	37.50
VESA DMT	640 x 480	85.00	43.26
VESA DMT	800 x 600	60.31	37.87
VESA DMT	800 x 600	75.00	46.87
VESA DMT	800 x 600	85.06	53.67
VESA DMT	1024 x 768	60.00	48.36
VESA DMT	1024 x 768	75.02	60.02
VESA DMT	1024 x 768	84.99	68.67
VESA DMT	1152 x 864	75.00	67.50
VESA GTF	1152 x 864	85.00	77.09
VESA DMT	1280 x 1024	60.02	63.98
VESA DMT	1280 x 1024	75.02	79.97
VESA DMT	1280 x 1024	85.02	91.14
VESA DMT	1600 x 1200	60.00	75.00
VESA CVT	1280 x 720	59.85	44.77
VESA CVT	1280 x 720	74.77	56.45
VESA CVT	1280 x 720	84.84	64.39
VESA CVT	1920 x 1080	59.93	66.58
VESA CVT	1680 x 1050	59.95	65.29
VESA CVT	1920 x 1200	59.95	74.03





## **Planar Systems, Inc.**

Customer Service

Online Support : <http://www.planar.com/support>

Email : [PlanarSupport@planar.com](mailto:PlanarSupport@planar.com)

Tel : 1-866-PLANAR-1 (1-886-752-6271)

Hours : M-F, 8am-8pm Eastern Time (5am-5pm Pacific Time)

©2006 Planar Systems, Inc. Planar is a registered trademark of Planar Systems, Inc.

Other brands and names are the property of their respective owners.

Technical information in this document is subject to change without notice.



## Free Manuals Download Website

<http://myh66.com>

<http://usermanuals.us>

<http://www.somanuals.com>

<http://www.4manuals.cc>

<http://www.manual-lib.com>

<http://www.404manual.com>

<http://www.luxmanual.com>

<http://aubethermostatmanual.com>

Golf course search by state

<http://golfingnear.com>

Email search by domain

<http://emailbydomain.com>

Auto manuals search

<http://auto.somanuals.com>

TV manuals search

<http://tv.somanuals.com>