

FCC STATEMENT

This equipment has been tested and found to comply with the limits for a Class B digital device, pursuant to part 15 of the FCC Rules. These limits are designed to provide reasonable protection against harmful interference in a residential installation. This equipment generates, uses and can radiate radio frequency energy, and, if not installed and used in accordance with the instructions, may cause harmful interference to radio communications. However, there is no guarantee that interference will not occur in a particular installation. If this equipment does cause harmful interference to radio or television reception, which can be determined by turning the equipment off and on, the user is encouraged to try to correct the interference by one or more of the following measures:

- Reorient or relocate the receiving antenna.
- Increase the separation between the equipment and the receiver.
- Consult the dealer or an experienced radio/TV technician for help.

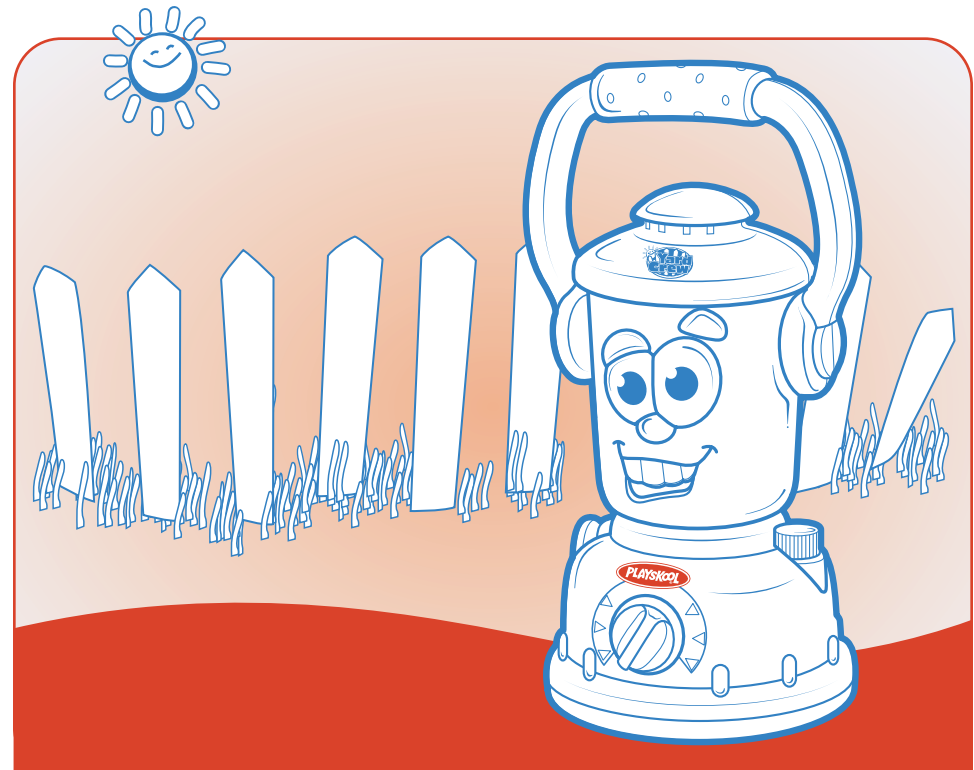
Changes or modifications not expressly approved by the party responsible for compliance could void the user's authority to operate the equipment.



**AGES 2+
6607**

Lit The Magic Talking Lantern™

Thank you for choosing this Playskool® brand product!
Includes 3 "AA" batteries. Phillips screwdriver (not included) required for battery replacement.



To Play

PLEASE NOTE: THE TOY IS SHIPPED IN "DEMO" MODE. MOVE SWITCH ON BOTTOM OF LANTERN TO "PLAY" FOR USE AT HOME.

Join this beaming friend on all kinds of "outback" adventures! To make him light up and talk, simply turn the knob, lift him by the handle or give him a little tap! Hear 15 fun phrases and nighttime sounds, too!

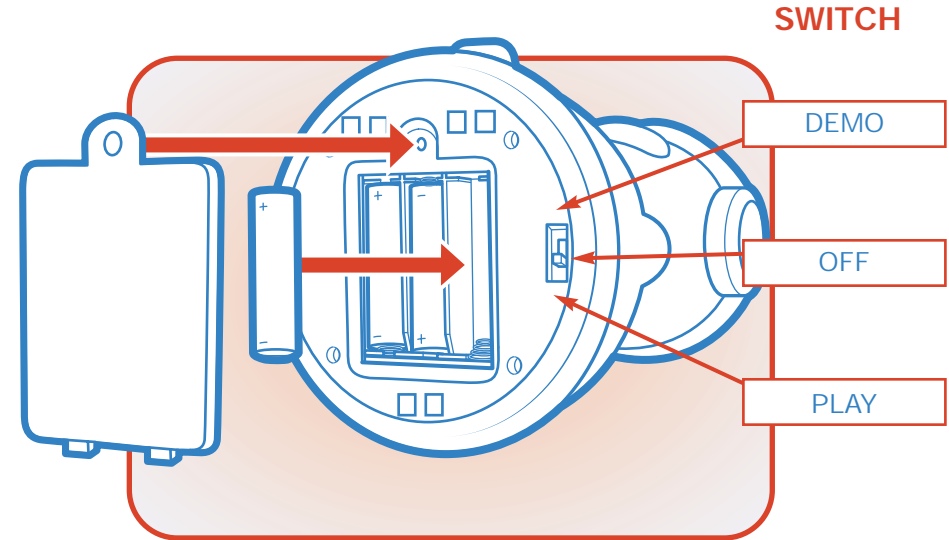
- When in "Play" mode, the toy must be turned on first to allow it to activate by motion. Turn the knob to turn on the toy.
- When in "Demo" mode, the motion feature will not activate the toy. Turn knob to activate.



Note: Avoid exposure to water to prevent damaging sound electronics.

To Replace Batteries

Use a Phillips screwdriver to loosen screw in battery compartment door (screw remains attached to door). Remove door. Remove old batteries. Insert 3 fresh "AA" alkaline batteries. Replace door and tighten screw.



⚠ CAUTION: TO AVOID BATTERY LEAKAGE

- 1) Be sure to insert the batteries correctly and always follow the toy and battery manufacturers' instructions;
- 2) Do not mix old and new batteries or alkaline, standard (carbon-zinc) or rechargeable (nickel-cadmium) batteries;
- 3) Always remove weak or dead batteries from the product.

Free Manuals Download Website

<http://myh66.com>

<http://usermanuals.us>

<http://www.somanuals.com>

<http://www.4manuals.cc>

<http://www.manual-lib.com>

<http://www.404manual.com>

<http://www.luxmanual.com>

<http://aubethermostatmanual.com>

Golf course search by state

<http://golfingnear.com>

Email search by domain

<http://emailbydomain.com>

Auto manuals search

<http://auto.somanuals.com>

TV manuals search

<http://tv.somanuals.com>