



Music Microphone

Thank you for purchasing the Playskool Music Microphone! If you have any questions, concerns or comments about this toy, please call Playskool toll free at 1-800-PLAYSKL.

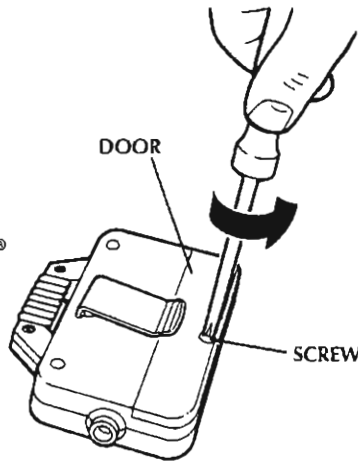
Please save this instruction sheet for future reference.

Includes microphone with attached cord, boom box with batteries, and instruction sheet.

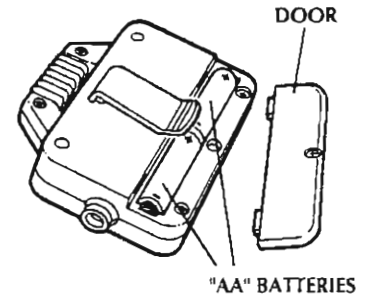
BATTERY REPLACEMENT

NOTE: The boom box comes with batteries already inserted. The batteries need to be replaced when the volume becomes low or the rhythms cannot be heard.

1. To replace the batteries, loosen the screw in the battery door with a Phillips® screwdriver, and remove the door.



2. Remove the exhausted batteries and DISCARD THEM IMMEDIATELY. Insert 2 fresh, new "AA" alkaline batteries into the battery compartment as shown. Replace the door on the battery compartment, and tighten the screw.



CAUTION: TO AVOID BATTERY LEAKAGE

1. Be sure to insert the batteries correctly and always follow the toy and battery manufacturers' instructions.
2. Never mix old batteries and new batteries, or standard (carbon-zinc) with alkaline batteries.
3. Always remove exhausted or dead batteries from the product.
4. Remove batteries if product is stored for a long period of time.

MICROPHONE PLAY

The Music Microphone echoes your voice when you speak or sing into the top of the microphone.

The cord easily attaches to the boom box by snapping the end of the cord into the hole in the boom box, as shown. The cord easily unsnaps for separate play.

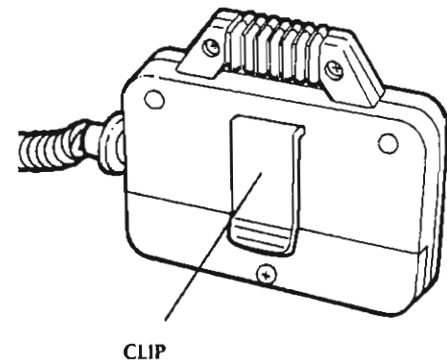
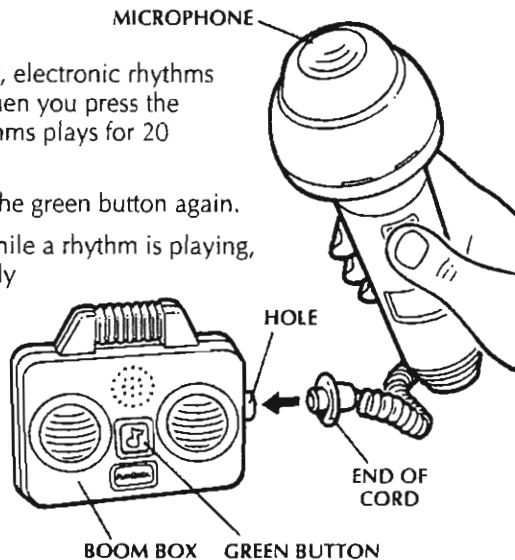
BOOM BOX PLAY

The boom box plays 7 different, electronic rhythms for a variety of musical fun. When you press the green button, one of the 7 rhythms plays for 20 seconds, then stops.

To play another rhythm, press the green button again.

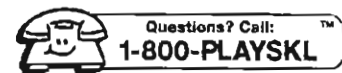
If you press the green button while a rhythm is playing, another rhythm will immediately start to play and continue for 20 seconds.

If the boom box is dropped, the music may stop. If this happens, press the green button to start the music again.



TO WEAR THE BOOM BOX

You can use the clip on the back of the boom box to attach it to your belt or pocket. The clip makes it easy to take the boom box with you wherever you go.



Free Manuals Download Website

<http://myh66.com>

<http://usermanuals.us>

<http://www.somanuals.com>

<http://www.4manuals.cc>

<http://www.manual-lib.com>

<http://www.404manual.com>

<http://www.luxmanual.com>

<http://aubethermostatmanual.com>

Golf course search by state

<http://golfingnear.com>

Email search by domain

<http://emailbydomain.com>

Auto manuals search

<http://auto.somanuals.com>

TV manuals search

<http://tv.somanuals.com>