

AGES 3+
06712

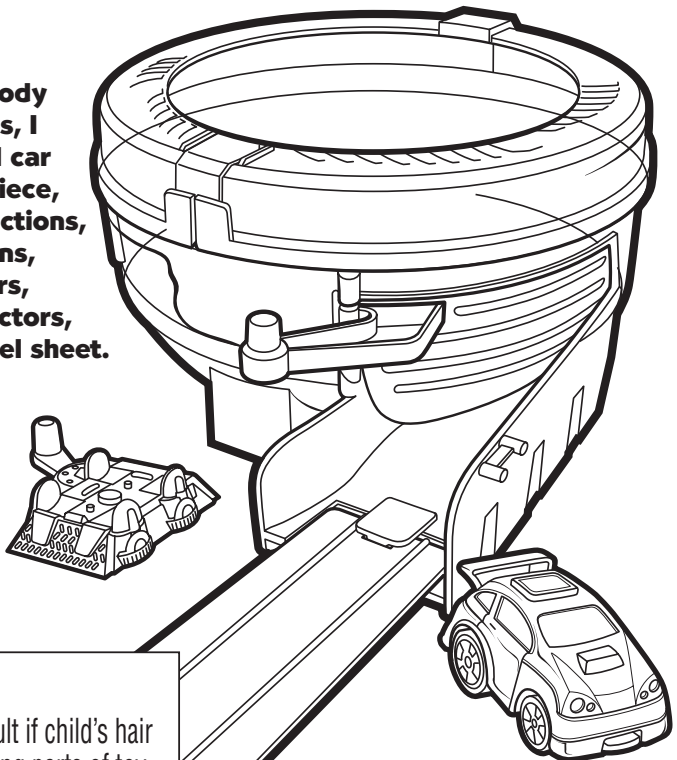
PLAYSKOOL[®]

SPEEDSTARS[™]

Vortex Speedway[™]

Thank you for choosing this awesome SPEEDSTARS playset!

Includes 1 car body (#036), 1 chassis, 1 power winder, 1 car token, 1 track piece, 1 base, 2 top sections, 2 middle sections, 2 top connectors, 2 middle connectors, 1 door and 1 label sheet.

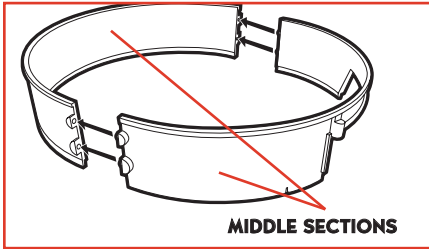


CAUTION:

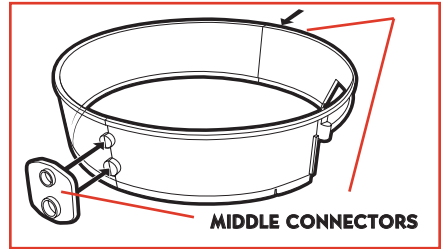
Hair entanglement may result if child's hair comes in contact with moving parts of toy. Adult supervision is required.

Adult assembly required.

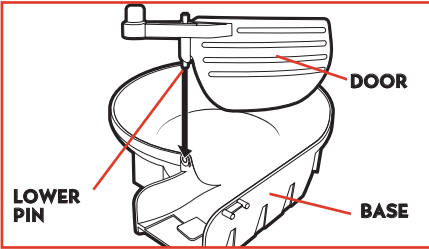
ASSEMBLY



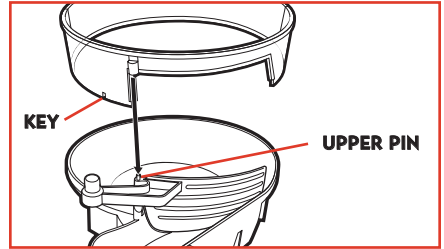
1. Fit middle sections together.



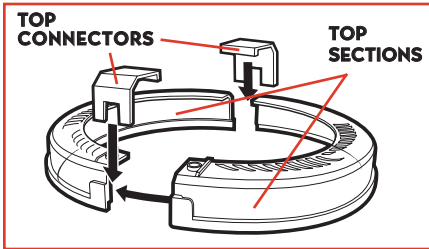
2. Snap 2 middle connectors onto middle sections as shown.



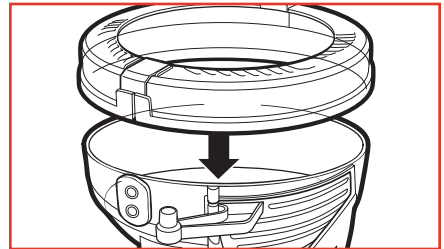
3. Place door in base, fitting lower pin on door into hole in base.



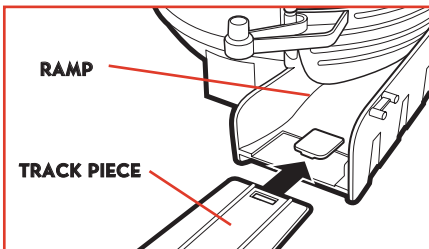
4. Snap middle section assembly onto base, fitting upper pin on door into hole in middle section.



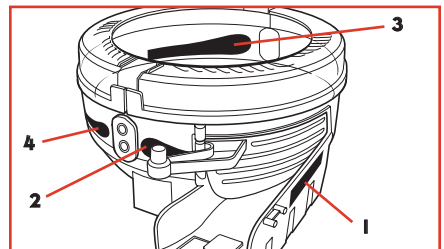
5. Fit 2 top sections together. Fit top connectors onto top sections. (Tabs on connectors fit into holes in top sections; forks on connectors fit into slots in top sections.)



6. Snap top section assembly onto middle section assembly.



7. Fit lip on track piece into top slot on base ramp.

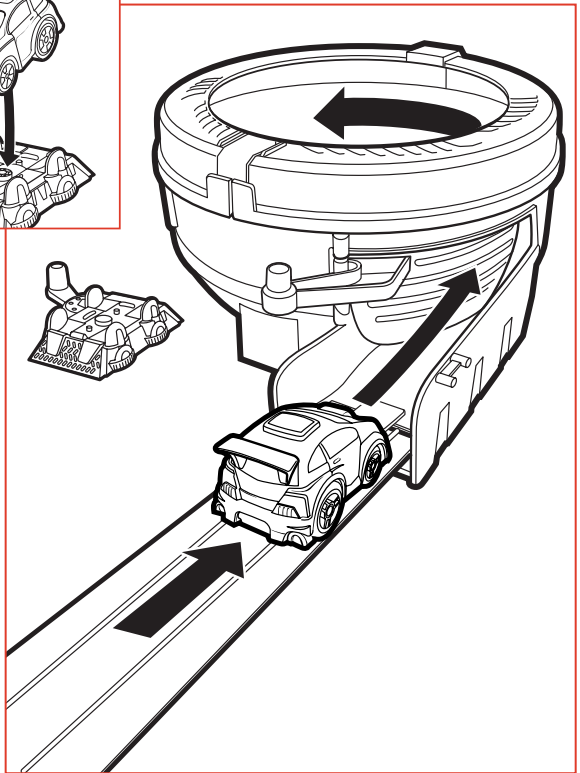
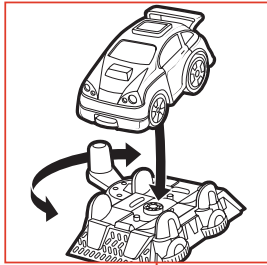


8. Peel and apply labels to the outside of track as shown.

PLAY FEATURES

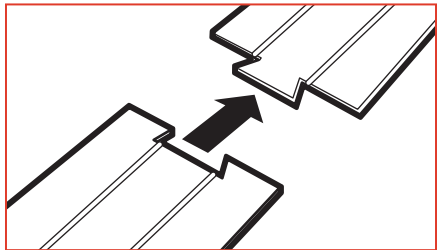
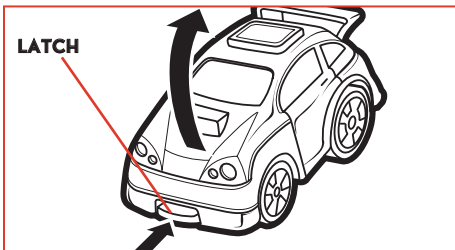
Enjoy super-fast 'round 'n 'round racing fun with this awesome circular speedway!

- Snap the car body onto the chassis. Place the car onto the power winder, hold the car in place and crank the handle until the car is fully wound (approximately 10-15 times). Place the car on the track, press the button and watch it zoom around the speedway!



Note: For best performance, be sure the track piece is straight.

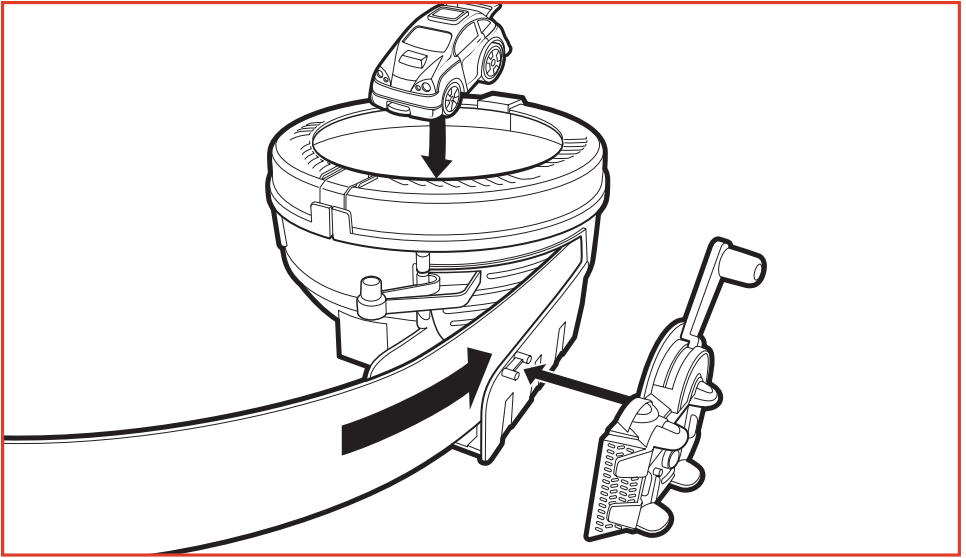
- For glow-in-the-dark racing action: Hold the car up to a light for 15-30 seconds. Then, in a dark room, place it on the track and watch it go - and glow!



- Push in latch on front of chassis to remove car body from chassis.

- All SPEEDSTARS parts are completely interchangeable. For extra excitement, connect the track piece to the EXTREME LOOP™ Track (not included).

STORAGE



- Remove track piece from ramp and slide it (on its side) into base until fully inserted.
- Store the power winder on side of base (posts on base into holes in power winder).
- Store the car in center of base.



Free Manuals Download Website

<http://myh66.com>

<http://usermanuals.us>

<http://www.somanuals.com>

<http://www.4manuals.cc>

<http://www.manual-lib.com>

<http://www.404manual.com>

<http://www.luxmanual.com>

<http://aubethermostatmanual.com>

Golf course search by state

<http://golfingnear.com>

Email search by domain

<http://emailbydomain.com>

Auto manuals search

<http://auto.somanuals.com>

TV manuals search

<http://tv.somanuals.com>