



## User Manual



Congratulations on the purchase of your new RipFlash™ Recordable MP3 Player from PoGo! Products, Inc. The RipFlash™ gives you incredible versatility in a sleek, compact design! Now, you can download MP3 files (via the PC USB interface) as well as create MP3 files without a computer. And, since The RipFlash™ is a recordable device you'll never have an excuse not to record those quick voice reminders, or even lengthy business meetings or lectures. Downloading, listening and recording have never been easier!

### **What does MP3 stand for?**

MP3 is an abbreviated form of MPEG1 Layer3, which is an industry standard for digital data compression technology used for coding audio-visual information. An MP3 file is an audio file made by using the audio data compression technology.

### **What is the RipFlash Recordable MP3?**

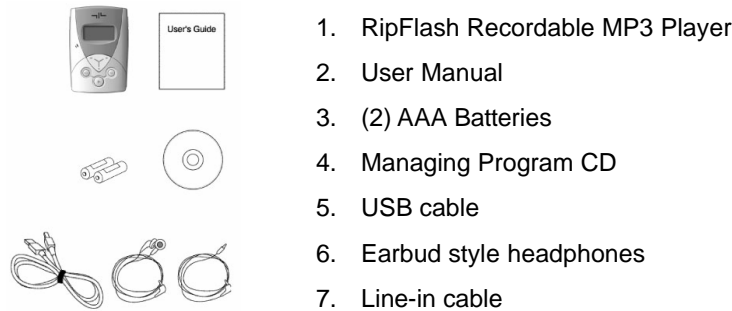
The RipFlash Recordable MP3 Player is equipped with an MP3 "encoder" that can directly record audio contents from the line-in jack. The RipFlash Recordable MP3 Player can be connected to other audio devices such as a portable CD player, enabling the direct transfer of selected song titles, which are then stored on the player.

Since RipFlash is a Recordable MP3 Player and because it has an internal microphone and speaker, it also functions as a very high quality voice recorder. Use RipFlash to record those quick voice reminder memos, or even lengthy business meetings or lectures.

The RipFlash Recordable MP3 Player also works like any traditional MP3 player for listening to your existing MP3 files or files that you download from the Internet. Just use the supplied USB cable and software to move MP3 files from your computer to your RipFlash.

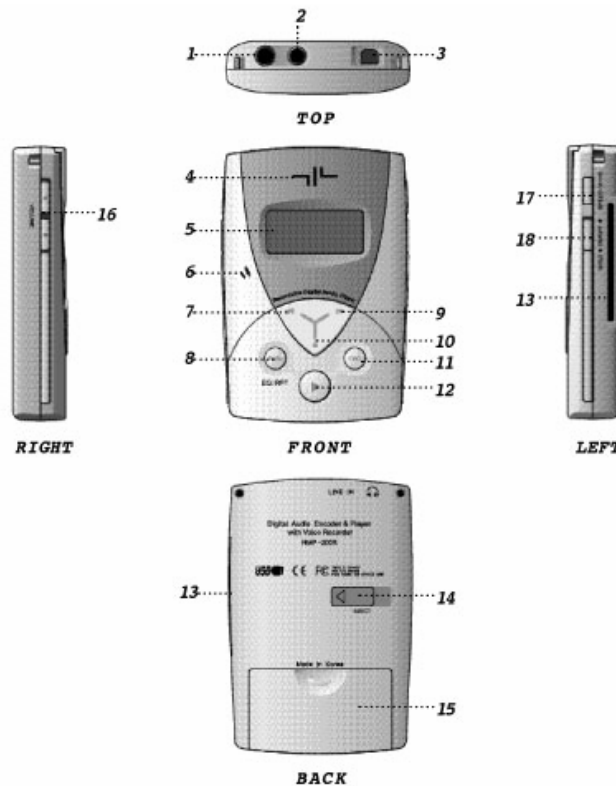
## Package Contents

Check the contents of your RipFlash Recordable MP3 player against the list shown below. Contact the distributor from whom you purchased the player if any of the following items are missing.



1. RipFlash Recordable MP3 Player
2. User Manual
3. (2) AAA Batteries
4. Managing Program CD
5. USB cable
6. Earbud style headphones
7. Line-in cable

## RipFlash™ Recordable MP3 Player





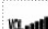













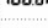


1. Earphone jack
2. Line- in jack
3. USB port
4. Internal speaker
5. LCD
6. Internal microphone
7. Rewind key
8. Menu/A<->B key
9. Forward key
10. Stop/Esc key
11. Record key
12. Play/Pause key
13. Smart Media™ Card slot\*
14. Smart Media™ Card eject
15. Battery cover
16. Volume key
17. EQ/Repeat key
18. Hold key

\*Smart Media™ Cards are an added option

## Display Information



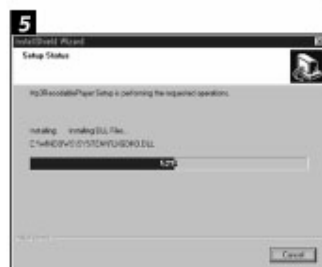
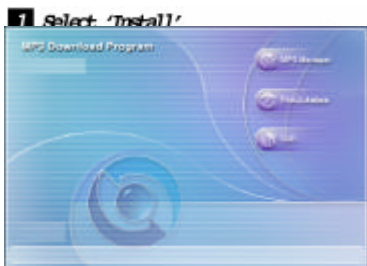
	Battery state display
	RANDOM state display
	INTRO state display
	Repeat mode display
	Volume state display
	EQ mode display
	Hold state display
	External memory state display
	Section repeat state display
	Encoding mode display
	VAD (Voice Activation Detection) display
	Play state display
	Pause state display
	Voice recording display
	Line In state display
	Recording state display
	Bit Rate display
	Music number & menu display
	Playing time & menu display (time: min. : sec.)

## Installing the MP3 Manager Software from the CD

Note: Please install the MP3 Manager before connecting the USB cable to the RipFlash Recordable MP3 Player.

Place the supplied CD for the RipFlash Recordable MP3 Player in the CD-ROM drive of your PC. The File Transfer Manager Program for the RipFlash Recordable MP3 Player will start up automatically. If the installer does not launch automatically use Windows Explorer to locate the autorun.exe file on the CD drive, then double click it to launch the installer.

Follow the instructions as shown on the sample screens (below). Click on the MP3 Manager button to install.



After installation of the software you can connect the USB cable to the PC. Turn the power on the player. Launch the MP3 Manager and you should be able to view the contents of the player. If you cannot connect to the player try the following procedure.

\*After completing the install program, connect the player to your PC using the USB cable. When prompted with the message “t33510.inf file needed,” follow the directions as shown below.

1. Insert the MP3 Manager Software CD into the CD-ROM device on your PC
2. Click the “Find” button, then double-click the “t33510.inf file” prompt, which will install the necessary drivers folder from the CD.

Follow the same directions to install the “Tusb100.sys file.”


## How to use the MP3 Manager Program

Double click the MP3 Manager icon to reveal the window shown below.



## Formatting Memory

The memory must be formatted before downloading MP3 files in your Internal/External memory.

To format the memory, click the  icon.

\*Default setting after memory format

Line: 128k

Mic.: 32k

EQ: normal

Vol: 4

Repeat: all files – one played

SL: middle

Sync: off

Vad: off

Recording: internal

## Downloading/Uploading

### 1) Download

Select the MP3 file(s) you wish to download from your PC to your player, and then click the

 icon.

### 2) Upload


Select the MP3 file(s) you wish to upload from the player to your PC, and then click the




icon.


Note: Due to copy protection issues upload will only function for files that were created on the player, such as speech and any directly encoded (recorded) MP3 files.

### Refresh

To refresh the internal/external memory, press the  icon.

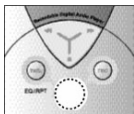
### Erase/Erase all

Select the MP3 file(s) you wish to erase and click the  icon.

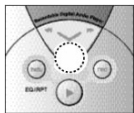
To erase all MP3 file(s), click the  icon.

## How to listen to your MP3 audio files

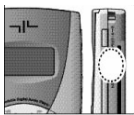
### Power on/off/Key hold



To turn on the power, press the [Play] key.



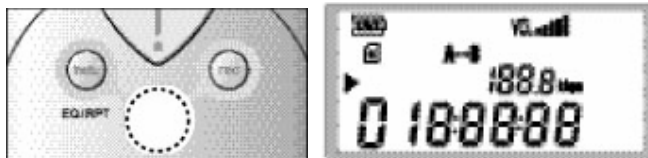
To turn off the power, depress the [Stop] key for at least 3 seconds.



To lock the keys, slide the [Hold] button (on the right side of player) downward.

### Play MP3 tracks

1. To play MP3 tracks in internal or external memory, press the [Play] key at MP3 mode.



Note:

\*Tracks in the built-in memory will be played first, followed by those stored in the external memory (Smart Media™ Card – optional).

\*The Smart Media™ Card cannot be inserted/removed while playing MP3 file(s).

\*To pause, press the [Play] key again (the “pause” icon on the LCD will blink)

2. To move to other tracks, press the [Forward] key or the [Rewind] key.



3. Stop/Escape

To stop play of the current file or to escape from current menu, press the [Stop] key.

4. Forward/Rewind

To switch tracks, press the [Forward] or the [Rewind] key until you reach the desired selection.

### MP3 Play mode

1. Repeat mode

To select the [Repeat] mode, depress the [EQ/RPT] key for at least 2 seconds during the current selection.

- Stop after playing one track -----
- Play one designated track repeatedly-----
- Stop after playing all tracks-----
- Repeat all tracks-----
- Play all tracks at random----- RAND
- Play stored tracks, one after another per 10 seconds----- INTRO

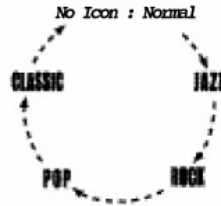


### Section repeat

To repeat a selection press [Menu/A<->B] at the start point. The LCD will show [A]. When you get to the end of the portion you want to repeat, press the [Menu/A<->B] key again. The LCD will show A<->B and the selected portion will repeat until [Menu/ A<->B] is pressed again .

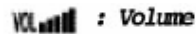
### Selecting the Equalize mode

To change the equalize mode, press the [EQ/RPT] key, and select the desired [EQ] mode by pressing the [EQ/RPT] key while playing. The current equalize mode will be displayed at the top of LCD by icon.



### Volume control

You can adjust the volume level with the volume key located on the left side of the player.



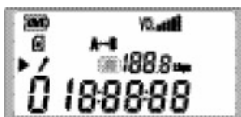
### Low battery alert



If the battery is low or discharged the player will turn off automatically.

### How to record/play voice messages

To record voice messages:

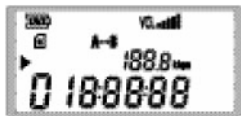


To record voice messages into the internal/external memory, press the [Rec] key. The player will begin recording immediately and the recording time will be displayed on the LCD.

\*To see how much remaining record time is available, press the [Menu] key while recording.

\*To change internal recording to external recording, go to page ?? and read item 4. REC location select mode.

To replay voice messages

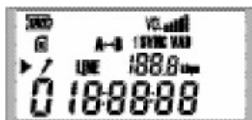


To play recorded voice messages, press the [Play] key after selecting the desired track with the [Forward] or [Rewind] key.



## How to record/play using the “Line-in” (MP3 Recording)

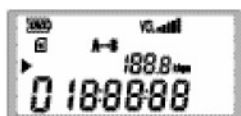
### To record “Line-in”



To encode MP3 in internal/external memory connect the line-in cable to the line-in jack on RipFlash and the other end (of the line-in cable) to the line-out jack of your audio source, then press the [REC] key.

\*If your audio source does not have a line out jack, then its possible to use the headphone jack but be sure to test the volume levels (too high of volume will cause distortions, too low of volume will create audio that is too quiet).


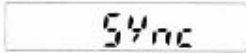
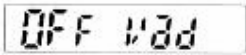
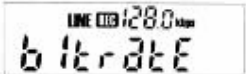
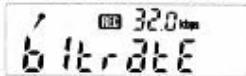

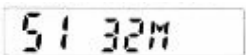
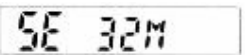
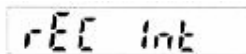
### To play a recorded track



To playback MP3 recordings in internal/external memory, press the [Play] key after selecting the desired track with the [Forward] or [Rewind] key.

## How to interpret the menu

\*Press the [Menu] key (when not in playback mode). Use the [Forward] and [Rewind] keys to navigate through the menu system.

1.  Delete mode
2.  Line-in encoding mode
3.  VAD mode
4.  Line-in of Bit rate mode
5.  Voice recording of Bit rate mode
6.  SL mode
7.   SI/SE mode
8.  REC location select mode

1. Delete mode

Recordings can be deleted by pressing the [Play] key after making the selection with the [Volume] key.

INT/EXT files can be deleted by pressing the [Play] key after selecting files with the [FF/Rewind] key.

2. Encoding mode

The [1SYNC, SYNC, No icon] mode can be selected with the [FF/Rewind] key.

Recording only one file----- 1 SYNC

Recording one by one files until stop----- SYNC

Recording several files into one file until stop----- No icon

3. VAD (Voice Activation Detect) mode

Used for selecting the [On/Off] pattern with [FF/REW] key.

Recording only phonic section----- on

Voice recording----- off

4. Line-in of Bit rate mode/ Voice recording of Bit rate mode

Used to install [Bit rate] with the [FF/REW] key during encoding.

Used to install [Bit rate] with [FF/REW] key during voice recording.

5. SL mode

Used for installing [sync detection level] during encoding and voice recording.

(ex.: Hi/Mi/Lo)

6. SI/SE mode

Indicates the SI (capacity of internal memory) and the SE (capacity of external memory) (used with the [FF/REW] key).

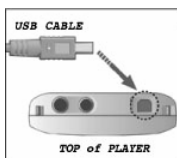
7. REC location select mode

Install the location of recording in INT or EXT with the [FF/REW] key.

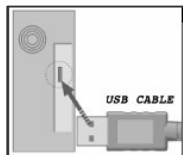
**[How to connect the RipFlash to your desktop PC or laptop](#)**

To download or upload MP3 files, the RipFlash Recordable MP3 Player must be connected to your PC or laptop with the supplied USB cable.

Turn on the RipFlash Recordable MP3 Player by pressing the [Play] key.



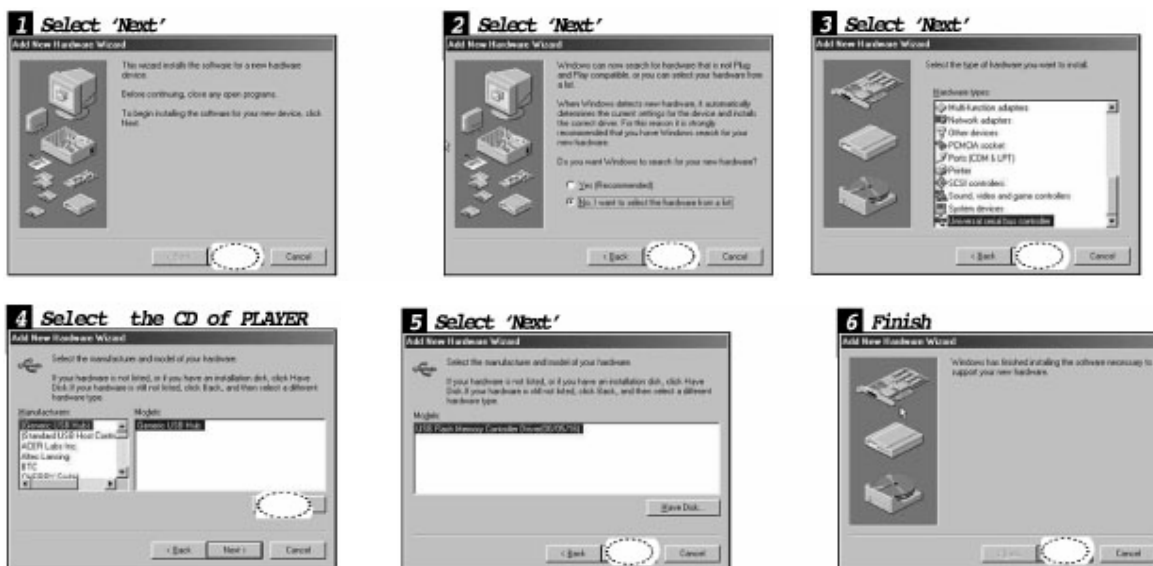
Connect the USB cable to the USB port of the RipFlash Recordable MP3 Player. Plug the other side of USB cable to the USB port on the back of your PC.



### How to connect to PC driver installation

Your PC will recognize the connection with the USB controller of the RipFlash Recordable MP3 Player and will start the set-up process automatically.

The following screen images will prompt you through the appropriate steps.



### Troubleshooting

If you experience problems with your RipFlash Recordable MP3 Player, refer to the "Question/Answer" troubleshooting section below.



**Q:** Why isn't the RipFlash Recordable MP3 Player working and/or why isn't anything displayed on the LCD?

**A:** Check the battery! General or rechargeable 1.5V AAA size battery required. Check the polarity (+/-) of the battery.

**Q:** There is no sound when the play key is pressed.

**A:** Check that MP3 files are stored in internal or external memory.

**Q:** The keys of RipFlash Recordable MP3 Player do not work.

**A:** Make sure the [Hold] key isn't switched down.

**Q:** Why can't I download MP3 files?

**A:** Check the connection of the USB cable between the PC and RipFlash Recordable MP3 Player. Additionally, check the battery condition.

**Q:** The Smart Media Card cannot be inserted or recognized.

**A:** Make sure the SMC is fully (and correctly) inserted in the SMC slot.

**Q:** 'No code' is displayed on the LCD.

**A:** The memory must be formatted (see instructions for formatting memory).

### **Safety Precaution**

Before you use or store the RipFlash Recordable MP3 Player, please carefully follow the instructions shown below.

1. Do not subject the player to severe impact or jarring.

Vibration experienced during walking or exercising will not affect the player.

However, dropping the player or dropping a heavy object onto the player may result in damage or sound distortion.

2. Keep the player away from water.

Damage may result if water enters the player. If the player comes into contact with water, remove the batteries immediately, wipe them dry.



3. Use care when storing the player.

Avoid storing the player (and the Smart Media™ Card) in areas with high humidity, strong magnetic fields, or extreme temperatures.

#### **Warranty**

One year parts and labor on factory defect only. The warranty does not apply on customer abuse or misuse.

## Free Manuals Download Website

<http://myh66.com>

<http://usermanuals.us>

<http://www.somanuals.com>

<http://www.4manuals.cc>

<http://www.manual-lib.com>

<http://www.404manual.com>

<http://www.luxmanual.com>

<http://aubethermostatmanual.com>

Golf course search by state

<http://golfingnear.com>

Email search by domain

<http://emailbydomain.com>

Auto manuals search

<http://auto.somanuals.com>

TV manuals search

<http://tv.somanuals.com>