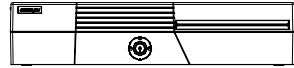


CR-2200 SERIES CASH DRAWER USER'S MANUAL

POSIFLEX



FCC Notes:

Rev. A0

This equipment generates, uses, and can radiate radio frequency energy and, if not installed and used in accordance with the instructions manual, may cause interference to radio communications. It has been tested and found to comply with limits for a Class A digital device pursuant to subpart J of Part 15 of FCC Rules, which are designed to provide reasonable protection against interference when operated in a commercial environment. Operation of this equipment in a residential area is likely to cause interference in which case the user at his own expense will be required to take whatever measures to correct the interference.

Warranty Limits:

Warranty terminates automatically when any person other than the authorized technicians opens the machine. The user should consult his/her dealer for the problem happened. Warranty voids if the user does not follow the instructions in application of this merchandise. The manufacturer is by no means responsible for any damage or hazard caused by improper application.

About This Manual:

Posiflex has made every effort for the accuracy of the content in this manual. However, Posiflex will assume no liability for any technical inaccuracies or editorial or other errors or omissions contained herein, nor for direct, indirect, incidental, consequential or otherwise damages, including without limitation loss of data or profits, resulting from the furnishing, performance, or use of this material.

This information is provided "as is" and Posiflex Technologies, Inc. expressly disclaims any warranties, expressed, implied or statutory, including without limitation implied warranties of merchantability or fitness for particular purpose, good title and against infringement.

The information in this manual contains only essential hardware concerns for general user and is subject to change without notice. Posiflex reserves the right to alter product designs, layouts or drivers without notification. The system integrator shall provide applicative notices and arrangement for special options utilizing this product. The user may find the most up to date information of the hardware from web sites: <http://www.posiflex.com> or <http://www.posiflex.com.tw>

All data should be backed-up prior to the installation of any drive unit or storage peripheral. Posiflex will not be responsible for any loss of data resulting from the use, disuse or misuse of this or any other Posiflex product.

All rights are strictly reserved. No part of this documentation may be reproduced, stored in a retrieval system, or transmitted in any form or by any means, electronic, mechanical, photocopying, or otherwise, without prior express written consent from Posiflex Technologies, Inc. the publisher of this documentation.

© Copyright Posiflex Technologies, Inc. 2007

All brand and product names and trademarks are the property of their respective holders.

BRIEF INTRODUCTION

INTRODUCTION

The CR-2200 series is a flip-top type cash drawer. It provides Aluminum alloy die cast case and wearproof stainless steel top surface with zero externally accessible screw.

FEATURES

- Flip-top design
- Contemporary style with regular width of 460 mm and flat side surfaces
- Rugged design with no screw to be accessed from outside
- Aluminum alloy die cast case (both top and bottom covers)
- Advanced electronics that extends the **MTBF** (Mean Time Between Failure)
- Three-position lock with automatic spring back function for maximum cash security
- Check slot with check storage underneath cash tray for non-cash or large-bill transaction without opening drawer
- 2 fixed and 4 adjustable (total 6) bill compartments
- 1 fixed and 7 adjustable (total 8) coin compartments. Partially adjustable in size and number by use of coin compartment separator
- Provided with various interface selection including direct (printer) drive, dedicated RS232, USB
- Optional additional removable tray. Also optional tray cover with lock
- WEPOS certified
- 2 color choices: Ivory and Black

MODEL NUMBER & INTERFACE

Model Number	Interface	Security Code	Power Source
CR-2200	Printer drive	N. A.	12/24 V Pulse / Printer
CR-2204	Dedicated RS232	N. A.	12VAC / Adaptor
CR-2205	USB	USB PID	12VAC / Adaptor

CARTON CONTENTS

1. Cash drawer pre-assembled.
2. User's manual.
3. Separators of coin compartment: 5 pcs.
4. Key 2pcs: There is a key serial No. sticker on the cash drawer bottom side. If user lost the key he/she can order the key according to this number.
5. Signal Cable depend on model
 - a). For CR-2200: The standard signal cable is 21863018010 which has a 8 pin modular plug at one end to connect to the cash drawer and a 6 pin modular plug at the other end to connect to the POS system/printer. This cable serves for most popularly used POS equipment such as Posiflex POS terminals, all Posiflex POS printers, most Epson POS printers, most Star POS printers and all other compatibles. The user may cut the 6 pin end or order the ready cut cable CCBLA-180A and assemble this free end according to his POS printer specification if the POS printer used applies different connection. The cable connection on. CCBLA-180A is as below:

Wire color	RJ45	Function
Red	Pin 1	Drawer open sense
Blue	Pin 2	Drawer open sense return
Green	Pin 7	+ 24V to solenoid
Yellow	Pin 8	Drawer kick pulse

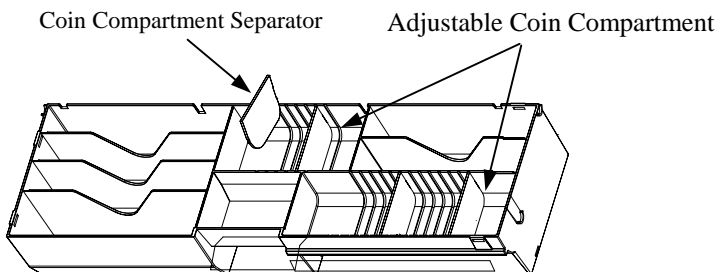
- b). For CR-2204: Serial signal RS232 DF9F RJ9 conversion cable (21863259900/21863159900).
 - c). For CR-2205: USB cable (21863250800/21863150800)
6. Power Source depend on model
 - a). For CR-2200: not applicable
 - b). For CR-2204: Power adapter 12VAC 1.5A
 - c). For CR-2205: Power adapter 12VAC 1.5A

INSTALLATION

Coin compartment adjust:

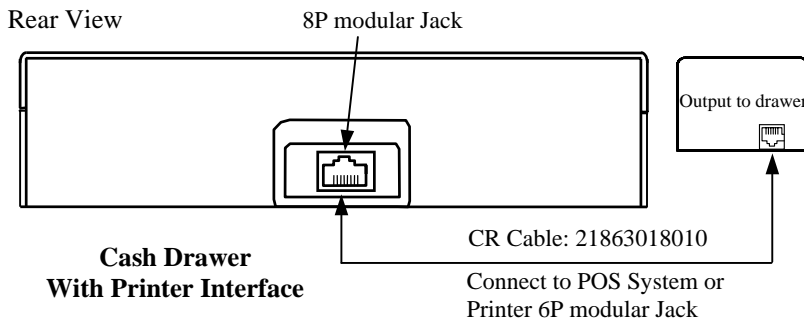
Open the top cover and remove any protective materials such as a piece of PE foam if it exists.

The coin compartment separator can be removed from and inserted till click into the grooves in adjustable coin compartment zones for appropriate compartment size.



CR-2200:

- 1). Connect the 8 pin plug of CR cable to cash drawer and the 6 pin plug to CR port of POS system or POS printer as shown below:



- 2). Turn the keylock to standby position.

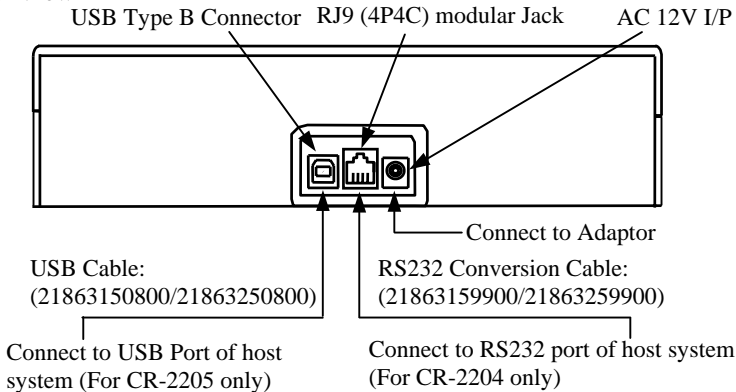
CR-2204:

- 1). Connect the 4 pin RJ9 plug of RS232 conversion cable to the RJ9 jack at the rear side of CR-2204 and connect the DB 9 pin connector to RS232 port of host (PC or POS) system as shown in drawing below.
- 2). Check the specification of power adaptor on its nameplate. Insert the

power adaptor into the correct power outlet. Insert the output plug to the power jack at rear side of CR-2204 to supply power for drawer kickout.

- 3). Turn the keylock to standby position.
- 4). Set the communication protocol of the RS232 port in host system to use baud rate of either 9600 bps or 19200 bps.

Rear View



CASH DRAWER With RS232 & USB Interface

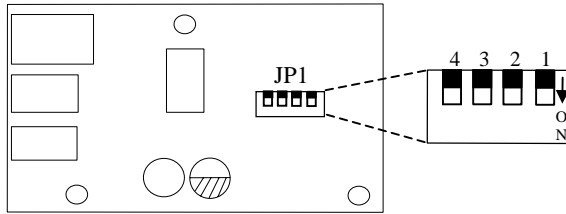
CR-2205:

- 1). The drawer number (PID) is default to be 7. Refer to the guidance for “Jumper Setting Change” below if the PID has to be changed.
- 2). Connect USB type B connector (more or less square one) of USB cable to the USB connector at rear side of CR-2205 and the type A connector end to USB port of host (PC or POS) system as shown in drawing above.
- 3). Check the specification of power adaptor on its nameplate. Insert the power adaptor into the correct power outlet. Insert the output plug to the power jack at rear side of CR-2205 to supply power for drawer kickout.
- 4). Turn the keylock to standby position.
- 5). Install the USB utility driver from Posiflex Product Information CD with Posiflex POS system or visit our web sites <http://www.posiflex.com> or <http://www.posiflex.com.tw> or <http://www.posiflexusa.com> for latest updates.

Switch Setting Change for CR-2204/2205:

- 1). Use key to open the cash drawer. Take out the removable tray and you

can find a control board in the bottom. The lay out of the control board is illustrated below.



- 2). By switch setting at different positions of JP1, interface selection between RS232 and USB and PID selection can be made.
 - a. **Interface select:** switch position 1 of JP1 defines interface of the cash drawer besides the interface cable used. When switch position 1 is ON, the controller responds to RS232 signals. When switch position 1 is OFF, the cash drawer works to USB interface.
 - b. **USB PID select:** Switch positions 2, 3 or 4 define a drawer number for the cash drawer as in below table so that this cash drawer is going to respond accordingly in USB communication. Please note that within each system there should never be any 2 USB interface cash drawers carrying the same drawer number.

USB PID \ JP1 SW	1	2	3	4	5	6	7	0
2	ON	ON	ON	OFF	OFF	OFF	OFF	ON
3	ON	OFF	OFF	ON	ON	OFF	OFF	ON
4	OFF	ON	OFF	ON	OFF	ON	OFF	ON

Default setting: Drawer 7 (SW2: OFF; SW3: OFF; SW4: OFF)

UPOS and WEPOS driver application:

Please first find in Posiflex Product Information CDROM or download from Posiflex web sites for UPOS driver setup. In this application CR-2204 responds to OpenDrawer command only; CR-2200/2204 are compliant to UPOS version 1.7 and CR-2205 is compliant to UPOS version 1.8 and is also WEPOS certified.

FUNCTIONAL TEST

CR-2200

1. Follow the printer's manual of the printer the cash drawer is connected to open cash drawer.
2. If the cash drawer is connected to a Posiflex POS system, follow the technical instruction of the system to open the cash drawer.

CR-2204

1. Under DOS prompt, type "MODE COM1 9600 N 8 1". Hit the **ENTER** key.
2. Type "TYPE CON>COM1". Hit the **ENTER** key.
3. Type "CTRL-G" (Press Ctrl and G keys together). Hit the **ENTER** key, then the drawer will open and pass the test.
4. Hit CTRL-C (Press Ctrl and C keys together) to return the computer back to the normal display mode.

In case the cash drawer is connected to serial port other than COM1 please substitute COM1 above to proper port name.

CR-2205

1. Please find in Posiflex Product Information CDROM or go to Posiflex web sites (<http://www.posiflex.com>. or <http://www.posiflex.com.tw> or <http://www.posiflexusa.com>) for USB Cash Drawer Test Program. If you use the Posiflex Product Information CDROM that comes with any Posiflex POS system, please go to folder "\\Drivers\\CR\\USB" and click "SETUP.EXE" to install the USB Cash Drawer Test Program.
2. Start up the test program and click "STATUS" button. The drawer status of Open/Close or Not present will be displayed under each drawer number as "O", "C" or "N"
3. Use a key to turn the lock to standby position (the one marked with sign at middle), click the check only the box(es) under the drawer number(s) for the drawer(s) to be tested then click the "KICK" button.
4. The cash drawer will then open and the Open/Close/Not present status of the tested drawer number will be renewed accordingly. If these status are correct, the USB interface cash drawer passes the test

SPECIFICATIONS

MECHANICAL: Dimensions:

460 (W) x 174.9 (D) x 101.5 (H) mm

18.2" (W) x 6.9" (D) x 4.0" (H)

Weight: 4.2 Kg

Removable tray with a lock-on cover (option)

ELECTRICAL:

Power Source

Solenoid Drive (for CR-2200)

Pulse Amplitude 12 to 24 VDC

Pulse Width 100 to 250 msec

Pulse Duty Cycle 10% max.

Max. Current Consumption 0.75A @ 12 VDC / 1A @ 24 VDC

AC Adaptor (for CR-2204/2205)

Input Voltage 120 VAC \pm 10 % / 240 VAC \pm 10 %
@50 -60 Hz

Output Voltage 12 VAC at 1.5 A

Interface

Direct Drive: CR-2200

Serial (RS232C)

CR-2204

Baud rate 9600; 19200

Parity none

Data Bits 8

Stop Bits 1

USB (1.1): CR-2205

Security Code

CR-2205 USB PID

Drawer Open Sense

CR-2200 Drawer open sense circuit shorts when drawer open

CR-2204 Pin 9 in DB9 connector goes high when drawer open

CR-2205 Through USB driver

KEYLOCK OPERATION



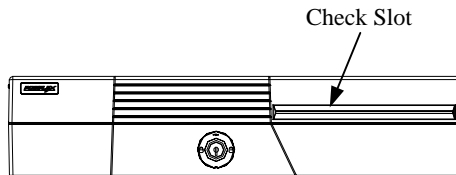
Keylock

Lock (🔒): Physically lock the drawer.

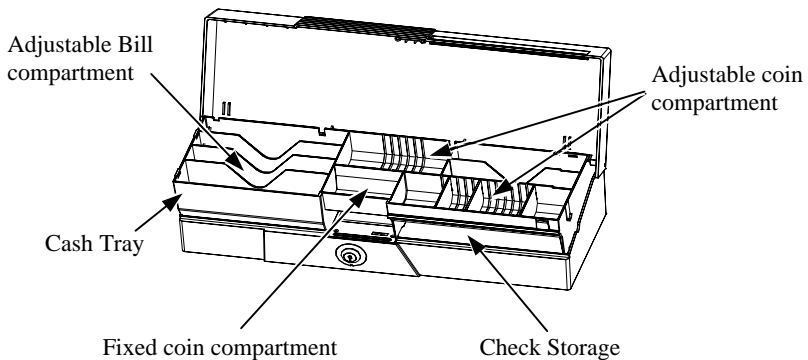
Open (🔓): Open the drawer by the key. At this position the key can't be extracted and will be automatically sprung away once released.

Standby (🔌): Automatically open the drawer by POS printer or POS system or interface signal control

STRUCTURE



Inside CR- 2200/ 2204/ 2205



POSIFLEX 
警告使用者 T31454
這是甲類的資訊產品，在居住的環境中使用時，可能會造成對候干擾；在這種情況下，使用者會被要求採取某些適當的對策。

Part 10

Free Manuals Download Website

<http://myh66.com>

<http://usermanuals.us>

<http://www.somanuals.com>

<http://www.4manuals.cc>

<http://www.manual-lib.com>

<http://www.404manual.com>

<http://www.luxmanual.com>

<http://aubethermostatmanual.com>

Golf course search by state

<http://golfingnear.com>

Email search by domain

<http://emailbydomain.com>

Auto manuals search

<http://auto.somanuals.com>

TV manuals search

<http://tv.somanuals.com>