

**OWNER'S MANUAL SUPPLEMENT
2002 SCRAMBLER 400 4X4
PN 9917466**



IMPORTANT: This is a supplement to your owner's manual. This information should remain with your owner's manual at all times.

Capacities	
Body Style	Gen III
Gross Vehicle Weight	845
Fuel Capacity	4 U.S. Gallons
Gearcase Oil	32 Ounces
Engine Oil Capacity	2 Quarts
Front Rack (Maximum - Capacity)	Accessory (30 Lbs.)
Rear Rack	Accessory (60 Lbs.)
Tongue Weight	30 Lbs.
Tow Hitch	Accessory
Tow Capacity	850 Lbs.
Turn Radius	60 inches
Ground Clearance	5.5 inches
Height	47 inches
Length	74.5 inches
Seat Height	34 inches
Dry Weight	532 Lbs.
Wheel Base	48.5 inches
Width	45.5 inches
Drive System	
Drive System Type	PVT
Shift Type	Side Lever (F-N-R)
Gear Reduction - Low	Not Applicable
Gear Reduction - Reverse	4.36 / 1
Gear Reduction - Forward	2.82 / 1
Front Drive (ratio)	2:1
Final Drive (ratio)	13/36 76P
Center Drive (ratio)	Not Applicable
Drive Chain	520 O-ring
Front Tire	23 x 7 - 10
Rear Tire	22 x 11 - 10
Tire Pressure (front)	4 PSI
Tire Pressure (rear)	3 PSI

Suspension and Brakes	
Front Susp. - Mac Strut	8.2 inches
Rear Susp. - Progressive Rate Swing Arm	10.5 inches
Shock Adjustment	Thread Adjust
Front Brake	Fixed disc, hydraulic floating caliper
Rear Brake	Hydraulic, opposed piston caliper, rear axle fixed disc
Auxiliary Brake	Hydraulic, opposed piston caliper, rear axle, fixed disc
Park Brake	Hydraulic lock all wheel
Engine & Cooling	
Engine Model Number	EC38PLE-09
Engine Type	2 cycle, single cylinder
Lubrication	Oil Injection
Bore x Stroke	83 x 70
Displacement	378
Compression Ratio	6.9:1 Effective
Engine Cooling	Liquid
Alternator Output (watts)	150
Carburetion	VM34SS
Main Jet	240
Pilot Jet	25
Needle Jet	(0-6) 480
Air Screw	1.25
Jet Needle	6CEY6-4
Ignition	CDI
Timing	23.5° @ 5000 ± 2°
Spark Plug Gap	.028 inches / .7 mm
Spark Plug Type	NGK BR8ES
Exhaust	USFS Approved

IMPORTANT: After the first tank of pre-mixed fuel has been used please verify that the oil level in the oil tank has dropped, indicating that the oil pump is functioning properly. If the level has not dropped, see your dealer for oil pump bleeding and repeat the pre-mix procedure.

Features	
Headlight (on handlebar) (watts)	2 dual beam, 30 / 30
Taillight (watts)	8.26
Brake Light (watts)	26.9
Battery	12 V 14 AH
DC Plug In - Rear	Accessory
DC Socket - Forward	Accessory
Electric Start	Standard

High Beam Indicator	Standard
High Temp Indicator	Standard
Windshield	Accessory
Low Oil Light	Standard
Neutral Indicator	Standard
Reverse Indicator	Standard
Speedometer	Accessory
Tool Kit	Standard

Carburetor Jetting

Altitude	Ambient Temperature	Below 0°F (Below -18°C)	0° to 40°F (-18°C to +5°C)	+40° to +80°F (+5°C to +26°C)	+80°F & Above (+26°C & Above)
Meters (Feet)	0-900 (0-3000)	280 0.5 AS	260 1.0 AS	240 1.25 AS	220 1.25 AS
	900-1800 (3000-6000)	260 0.5 AS	240 1.0 AS	220 1.25 AS	210 1.5 AS
	1800-2700 (6000-9000)	230 1.25 AS	220 1.25 AS	210 1.5 AS	185 1.5 AS
	2700-3700 (9000-12000)	210 1.25 AS	200 1.5 AS	185 1.5 AS	170 1.5 AS

Clutching Chart

Altitude	Shift Weight	Drive Clutch Spring	Driven Clutch Spring	Driven Helix
Meters (Feet)	0-1800 (0-6000)	S-55 5630509	White 7041132	Red 7041198
	1800-3700 (6000-12000)	S-53 5630095	White 7041132	Red 7041198

PN 9917466 Rev 01 6/01

© 2001 Polaris Sales Inc.

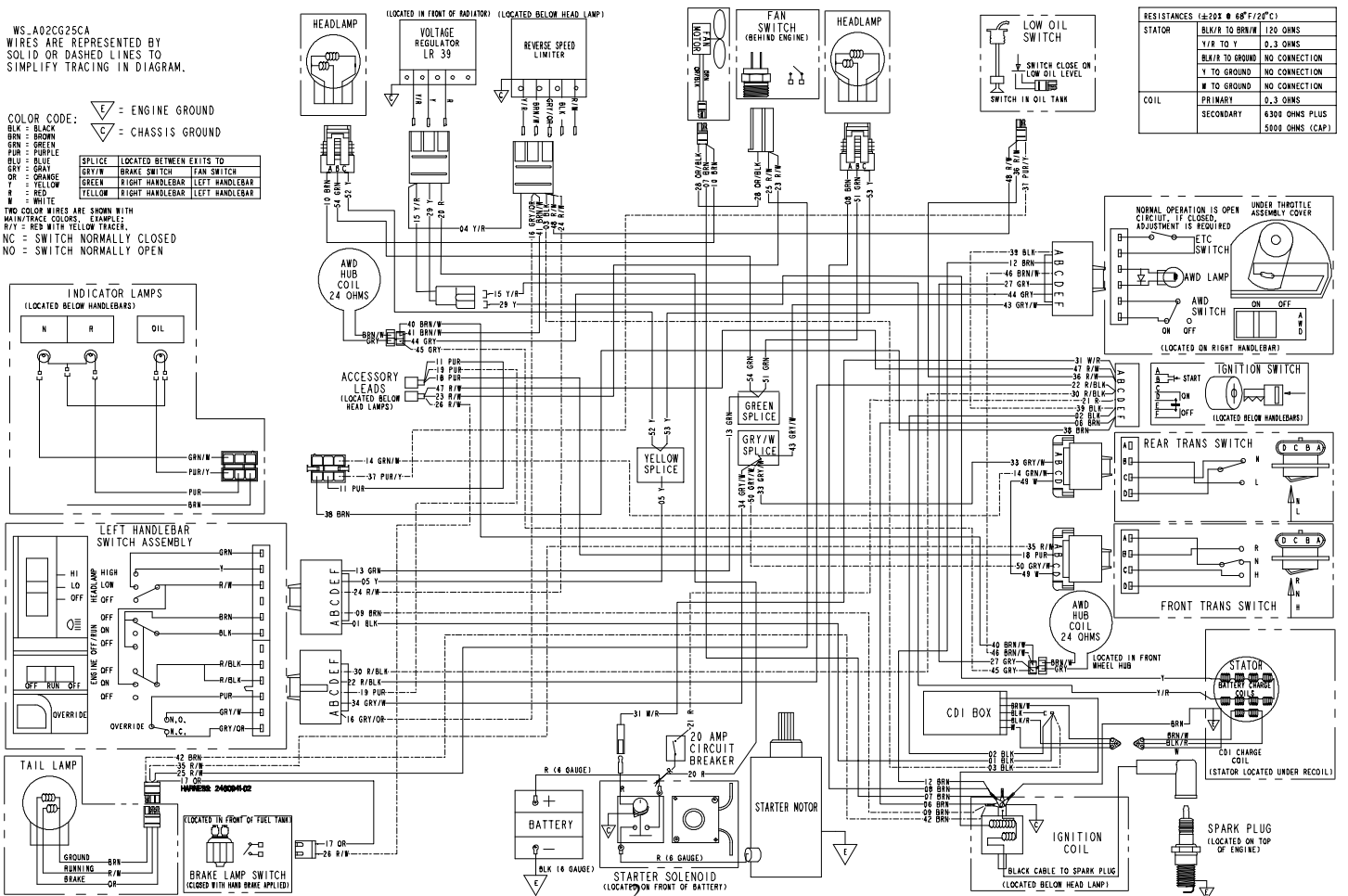
Printed in U.S.A.

WS_A02CG25CA
WIRES ARE REPRESENTED BY SOLID OR DASHED LINES TO SIMPLIFY TRACING IN DIAGRAM.

COLOR CODE:
BLK = BLACK
BRN = BROWN
GRN = GREEN
PUR = PURPLE
BLU = BLUE
GRY = GRAY
OR = ORANGE
Y = YELLOW
R = RED
W = WHITE

SPlice	LOCATED BETWEEN EXITS TO
BLU	BLU
GRY/W	GRY/W
GRN	GRN
Y	Y
R	R
W	W

TWO COLOR WIRES ARE SHOWN WITH MAIN TRACE COLORS.
R/Y = RED WITH YELLOW TRACER,
NC = SWITCH NORMALLY CLOSED
NO = SWITCH NORMALLY OPEN



Free Manuals Download Website

<http://myh66.com>

<http://usermanuals.us>

<http://www.somanuals.com>

<http://www.4manuals.cc>

<http://www.manual-lib.com>

<http://www.404manual.com>

<http://www.luxmanual.com>

<http://aubethermostatmanual.com>

Golf course search by state

<http://golfingnear.com>

Email search by domain

<http://emailbydomain.com>

Auto manuals search

<http://auto.somanuals.com>

TV manuals search

<http://tv.somanuals.com>