



**The Way Out.**

**Scrambler<sup>®</sup> 4X4  
International  
Owner's Manual  
for Maintenance and Safety**

**Read this manual carefully.  
It contains important safety information.  
This is an adult vehicle only.  
Operation is prohibited for those under 16 years of age.**

# ⚠️ WARNING

Improper vehicle use can result in **SEVERE INJURY** or **DEATH**.



**ALWAYS USE  
AN APPROVED  
HELMET AND  
PROTECTIVE  
GEAR**



**NEVER USE  
ON PUBLIC  
ROADS**



**NEVER CARRY  
PASSENGERS**



**NEVER USE  
WITH DRUGS  
OR ALCOHOL**

## **NEVER** operate:

- without proper training or instruction.
- at speeds too fast for your skills or the conditions.
- on public roads - a collision can occur with another vehicle.
- with a passenger - passengers affect balance and steering and increase risk of losing control.

## **ALWAYS:**

- use proper riding techniques to avoid vehicle overturns on hills and rough terrain and in turns.
- avoid paved surfaces - pavement may seriously affect handling and control.

**READ OWNER'S MANUAL.**

**FOLLOW ALL INSTRUCTIONS AND WARNINGS.**



For your nearest Polaris dealer,  
visit [www.polarisindustries.com](http://www.polarisindustries.com)

Polaris Sales Inc.,  
2100 Hwy. 55, Medina, MN 55340  
U.S.A.

Part No. 9922463 Rev 01  
Printed in U.S.A.



The text is printed on 100% recycled  
with 40% post-consumer waste (PCW).

# WELCOME

Thank you for purchasing a Polaris vehicle, and welcome to our world-wide family of Polaris owners. We proudly produce an exciting line of utility and recreational products.

- Snowmobiles
- All-terrain vehicles (ATVs)
- *RANGER*® utility vehicles
- Victory Motorcycles®

Always follow the instructions and recommendations in this manual. The manual contains instructions for minor maintenance, but information about major repairs is outlined in the Polaris Service Manual and should be performed only by a factory-certified Master Service Dealer® (MSD) technician. Please see your dealer for all of your service needs during (and after) the warranty period.

For more information about Polaris, visit us online at [www.polarisindustries.com](http://www.polarisindustries.com).



**POLARIS**®  
**The Way Out.**

POLARIS, THE WAY OUT and SCRAMBLER are registered trademarks of Polaris Industries Inc.

Copyright 2009 Polaris Sales Inc. All information contained within this publication is based on the latest product information at the time of publication. Due to constant improvements in the design and quality of production components, some minor discrepancies may result between the actual vehicle and the information presented in this publication. Depictions and/or procedures in this publication are intended for reference use only. No liability can be accepted for omissions or inaccuracies. Any reprinting or reuse of the depictions and/or procedures contained within, whether whole or in part, is expressly prohibited.

Printed in U.S.A.

2010 Scrambler 4X4 International Owner's Manual

P/N 9922463

# TABLE OF CONTENTS

<b>Introduction</b> .....	<b>4</b>
<b>Safety</b> .....	<b>7</b>
<b>Features and Controls</b> .....	<b>20</b>
<b>Operation</b> .....	<b>29</b>
<b>Emission Control Systems</b> .....	<b>46</b>
<b>Maintenance</b> .....	<b>47</b>
<b>Polaris Products</b> .....	<b>99</b>
<b>Troubleshooting</b> .....	<b>100</b>
<b>Specifications</b> .....	<b>104</b>
<b>Declaration of Conformity</b> .....	<b>106</b>
<b>Warranty</b> .....	<b>107</b>
<b>Maintenance Log</b> .....	<b>111</b>
<b>Index</b> .....	<b>113</b>

# INTRODUCTION

The following signal words and symbols appear throughout this manual and on your vehicle. Your safety is involved when these words and symbols are used. Become familiar with their meanings before reading the manual.



The safety alert symbol indicates a potential personal injury hazard.

## WARNING

A WARNING indicates a hazardous situation which, if not avoided, may result in death or serious injury.

## CAUTION

A CAUTION indicates a hazardous situation which, if not avoided, may result in minor or moderate injury.

## NOTICE

A NOTICE indicates a situation that may result in property damage.



The Prohibition Safety Sign indicates an action NOT to take in order to avoid a hazard.



The Mandatory Action Sign indicates an action that NEEDS to be taken to avoid a hazard.

# INTRODUCTION

## **⚠ WARNING**

Failure to follow the warnings in this manual can result in serious injury or death. This Polaris vehicle is not a toy and can be hazardous to operate. A collision or rollover can occur quickly, even during routine maneuvers, if you fail to take proper precautions.

Read and understand your owner's manual and all warnings before operating this Polaris vehicle.

## **Safety Training**

When you purchased your new Polaris vehicle, your dealer offered a hands-on safety training course. You were also provided with printed materials that explain safe operating procedures. Review this information on a regular basis.

If you purchased a used Polaris vehicle from a party other than a Polaris dealer, please request free safety training from any authorized Polaris dealer.

## **Age Restrictions**

This vehicle is an **ADULT VEHICLE ONLY**. Operation is prohibited for anyone under 16 years of age.

## **Restrictions**

This vehicle is approved for **OFF-ROAD TOWING ONLY**. Towing a trailer with this vehicle on public roads is prohibited.

## **Equipment Modifications**

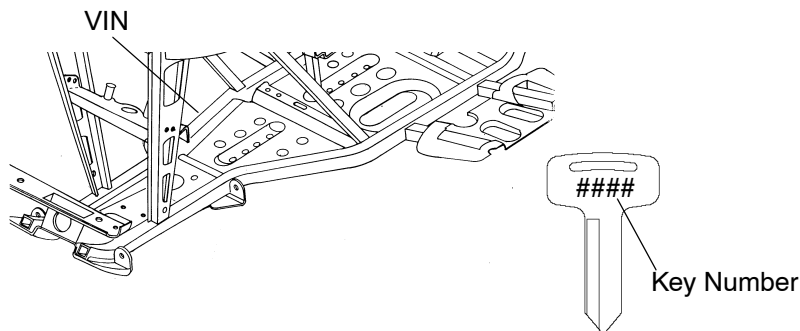
The warranty on your Polaris vehicle may be terminated if any equipment has been added, or if any modifications have been made, that increase speed or power. The addition of certain accessories, including (but not limited to) mowers, blades, tires, sprayers and large racks may change vehicle handling. Use only Polaris-approved accessories. Know their function and effect on the vehicle.



# INTRODUCTION

## Vehicle Identification Numbers

Record your vehicle's identification numbers and key number in the spaces provided. Remove the spare key and store it in a safe place. An ignition key can be duplicated only by ordering a Polaris key blank (using your key number) and mating it with one of your existing keys. The ignition switch must be replaced if all keys are lost.



Vehicle Model Number: \_\_\_\_\_

Frame VIN: \_\_\_\_\_

Engine Serial Number: \_\_\_\_\_  
(right front side of engine crankcase)

Key Number: \_\_\_\_\_

## **WARNING**

Failure to operate the vehicle properly can result in a collision, loss of control, accident or overturn, which may result in serious injury or death. Heed all safety warnings outlined in this section of the owner's manual. See the OPERATION section of the owner's manual for proper operating procedures.

## **Equipment Modifications**

We strongly recommend that consumers do not install on a Polaris vehicle any equipment that may increase the speed or power of the vehicle, or make any other modifications to the vehicle for these purposes.

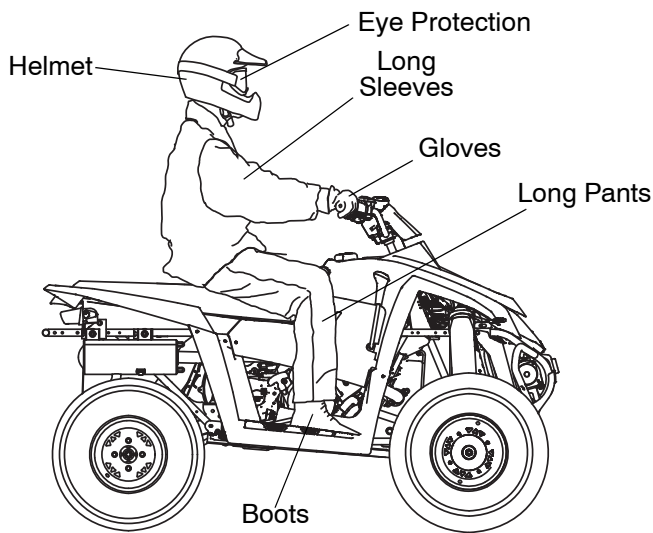
The warranty on your Polaris vehicle is terminated if any equipment has been added to the vehicle, or if any modifications have been made to the vehicle, that increase its speed or power.

The addition of certain accessories, including (but not limited to) mowers, blades, tires, sprayers, or large racks, may change the handling characteristics of the vehicle. Use only Polaris-approved accessories, and familiarize yourself with their function and effect on the vehicle.

# SAFETY

## Safe Riding Gear

Always wear appropriate clothing when riding a Polaris vehicle. Wear protective clothing for comfort and to reduce the chance of injury.

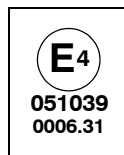


### Helmet

Wearing a helmet can prevent a severe head injury. Whenever riding a Polaris vehicle, always wear a helmet that meets or exceeds established safety standards.

Approved helmets in the USA and Canada bear a U.S. Department of Transportation (DOT) label.

Approved helmets in Europe, Asia and Oceania bear the ECE 22.05 label. The ECE mark consists of a circle surrounding the letter E, followed by the distinguishing number of the country which has granted approval. The approval number and serial number will also be displayed on the label.



## Safe Riding Gear

### Eye Protection

Do not depend on eyeglasses or sunglasses for eye protection. When ever riding a Polaris vehicle, always wear shatterproof goggles or use a shatterproof helmet face shield. Polaris recommends wearing approved Personal Protective Equipment (PPE) bearing markings such as VESC 8, V-8, Z87.1, or CE. Make sure protective eye wear is kept clean.

### Gloves

Off-road style gloves with knuckle pads are the best for comfort and protection.

### Boots

The best footwear is a pair of sturdy over-the-calf boots with low heels.

### Clothing

Always wear long sleeves and long pants to protect arms and legs. Riding pants with kneepads and a jersey with shoulder pads provide the best protection.

# SAFETY

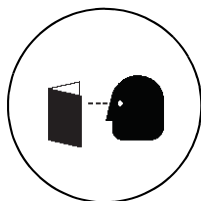
## Operator Safety

---



Read and understand all warnings, cautions and operating procedures in this manual and on the safety labels before operating the vehicle.

Never operate this vehicle without proper instruction. *Take a training course.* Beginners should receive training from a certified instructor. Contact an authorized Polaris dealer or visit the Polaris web site at [www.polarisindustries.com](http://www.polarisindustries.com).



Never permit others to operate the vehicle unless they have read and understand this manual and all product labels, and have completed a certified safety training course.

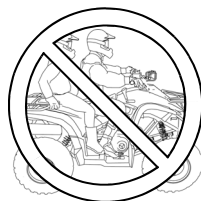
---



Never allow anyone under 16 years of age to operate this vehicle.



Never carry a passenger.

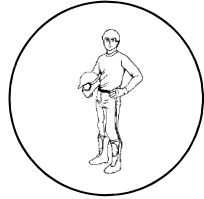


## Operator Safety

---



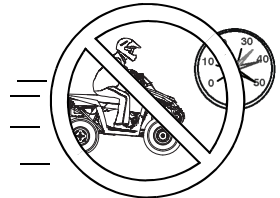
Always wear an approved helmet that fits properly. Wear eye protection (goggles or face shield), gloves, boots, long sleeves and long pants.



Never consume alcohol or drugs before or while operating this vehicle.



Never operate at excessive speeds. Travel and turn at speeds appropriate for the terrain, visibility, operating conditions and your experience.



Never attempt jumps or other stunts.



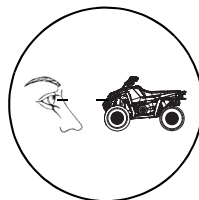
# SAFETY

## Operator Safety

---



Always inspect your Polaris vehicle before each use to verify that it's in safe operating condition. Follow the inspection and maintenance procedures outlined in this manual. See page 30.



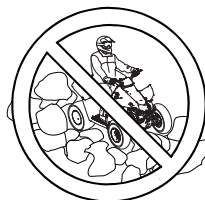
Keep both hands on the handlebars. Keep your feet on the footrests.



Always travel slowly when operating on unfamiliar terrain. Use extra caution.



Use caution when operating on rough, slippery or loose terrain.



Always follow the procedures outlined in this manual for turning. See page 34.

Never turn sharply at excessive speeds, which can lead to vehicle overturn.



## Operator Safety

---



If the vehicle has been involved in an accident, always have an authorized Polaris dealer inspect the entire vehicle for possible damage, including (but not limited to) brake, throttle and steering systems.

---



Never operate on hills too steep for the vehicle or for your abilities. Practice on smaller hills before attempting larger hills. Avoid climbing hills steeper than 25°.

Always follow the procedures outlined in this manual for climbing hills. See page 36.



Always follow the procedures outlined in this manual for driving downhill and for braking on hills. See page 38.



Always follow the procedures outlined in this manual for crossing the side of a hill. See page 37.

Never attempt to turn the vehicle around on any hill until you've mastered (on level ground) the turning technique outlined in this manual.



Always follow the procedures outlined in this manual for braking if you stall or roll backwards while climbing a hill. Never back down a hill. See page 39.





# SAFETY

## Operator Safety



Always follow the procedures outlined in this manual for operating over obstacles. See page 41.



Always follow the procedures outlined in this manual for operating on slippery or loose surfaces. Use extra caution. Always avoid skidding or sliding. See page 35.



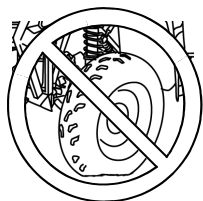
Always follow the procedures outlined in this manual for driving through water. Never drive through deep or fast-flowing water. See page 40.



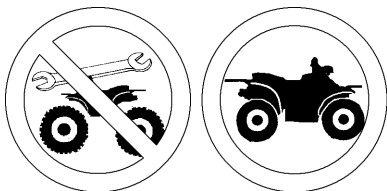
Always follow the procedures outlined in this manual for driving in reverse. See page 42.



Always use the size and type of tires specified for your vehicle. Maintain the proper tire pressure.



Never modify this Polaris vehicle through improper installation or use of accessories.



Operating on paved surfaces may affect the handling and control of the vehicle and could result in loss of control. Avoid sudden turns or swift movement of the handlebars.

## Operator Safety



Never exceed the stated load capacity for your vehicle. Cargo must be properly distributed and securely attached. Reduce speed and follow the instructions in this manual for carrying cargo or towing. Allow a greater distance for braking.



Never operate this vehicle on a frozen body of water.



Always remove the ignition key when the vehicle is not in use to prevent unauthorized use or accidental starting.



Always unlock the steering before starting the engine. See page 27.



### Handling Gasoline

Gasoline is highly flammable and explosive under certain conditions.

- Always exercise extreme caution whenever handling gasoline.
- Always refuel with the engine stopped, and outdoors or in a well ventilated area.
- Do not smoke or allow open flames or sparks in or near the area where refueling is performed or where gasoline is stored.
- Do not overfill the tank. Do not fill the tank neck.
- If gasoline spills on your skin or clothing, immediately wash it off with soap and water and change clothing.
- Turn the fuel valve off whenever the vehicle is stored or parked.



Hot components can cause serious burns and fire. Do not touch hot exhaust system components. Always keep combustible materials away from the exhaust system.

**For more information about safety, contact an authorized  
Polaris dealer or visit the Polaris web site at  
[www.polarisindustries.com](http://www.polarisindustries.com).**

# SAFETY

## Safety Labels and Locations

Warning labels have been placed on the vehicle for your protection. Read and follow the instructions on each label carefully. If any of the labels shown in this manual differ from the labels on your vehicle, always read and follow the instructions of the labels on the vehicle.

If an informational or graphic label becomes illegible or comes off, contact your Polaris dealer to purchase a replacement. Replacement *safety* labels are provided by Polaris at no charge. The part number is printed on the label.

### General Warning

#### WARNING

Improper ATV use can result in SEVERE INJURY or DEATH

ALWAYS USE AN APPROVED HELMET AND PROTECTIVE GEAR

NEVER USE ON PUBLIC ROADS

NEVER CARRY PASSENGERS

NEVER USE WITH DRUGS OR ALCOHOL

NEVER operate:

- without proper training or instruction
- at speeds too fast for your skills or the conditions
- on public roads - a collision can occur with another vehicle
- with a passenger - passengers affect balance and steering and increase risk of losing control

ALWAYS:

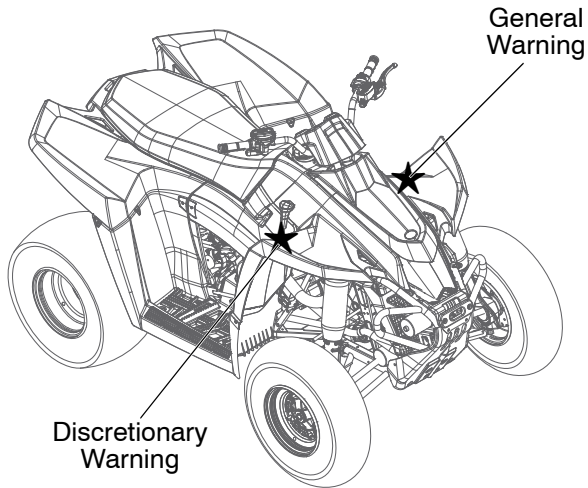
- use proper riding techniques to avoid vehicle overturns on hills and rough terrain and in turns
- avoid paved surfaces - pavement may seriously affect handling and control

LOCATE AND READ OWNER'S MANUAL.

FOLLOW ALL INSTRUCTIONS AND WARNINGS.

7175376

## Safety Labels and Locations



### Discretionary Warning

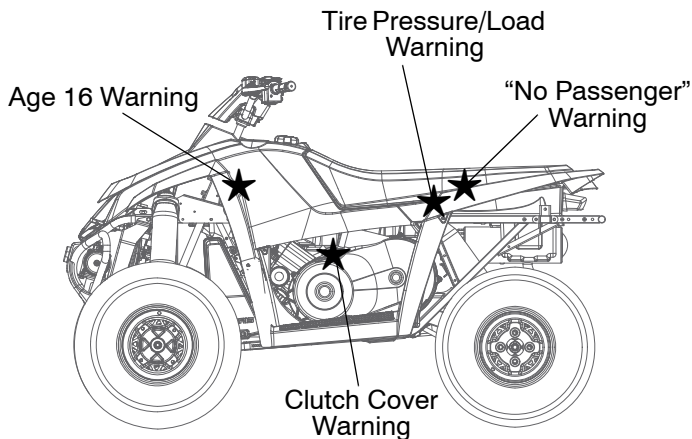
#### WARNING

- Never operate this ATV on HILLS steeper than 25 degrees  $\leq 25^\circ$ . To prevent overturn on hilly terrain, use throttle and brakes gradually, and shift weight uphill.
- REVERSE operation can be dangerous even at low speeds. Steering becomes difficult. To prevent loss of control, avoid sudden braking or sharp turns.

7175511

# SAFETY

## Safety Labels and Locations



### **“No Passenger” Warning**

WARNING

NEVER ride as a passenger.

Passengers can cause a loss of control, resulting in SEVERE INJURY or DEATH.

7175378

### **Tire Pressure/Load Warning**

WARNING

Improper tire pressure or overloading can cause loss of control.

Loss of control can result in severe injury or death.

- Cold tire pressure:
  - Front: 4.0 psi (27.6 kPa)
  - Rear: 3.0 psi (20.7 kPa)
- Maximum weight capacity: 275 lbs. (125 kg)

7175443

## Safety Labels and Locations

### Age 16 Warning

#### WARNING

Operating this ATV if you are under the age of 16 increases your chance of severe injury or death.

NEVER operate this ATV if you are under age 16.

7175374

### Clutch Cover Warning

#### WARNING

- Moving parts hazard under belt-clutch guard. To prevent serious injury, do not operate vehicle with guard removed.
- Do not modify engine or clutch. Doing so can cause part failure, possible imbalance, and excessive engine RPM, which can result in serious injury or death.

NO STEP

7172563

### Reverse Override Warning

#### WARNING

Improper use of override button can lead to loss of control resulting in severe injury or death. Do not activate override while throttle is engaged. Always apply throttle gradually, while in reverse.

7175486

### 4X4 Caution

#### CAUTION

Do not push switch to engage 4X4 (AWD) if the rear wheels are spinning. This may cause severe drive shaft and clutch damage.

7175485

# FEATURES AND CONTROLS

## Switches

### Engine Stop Switch

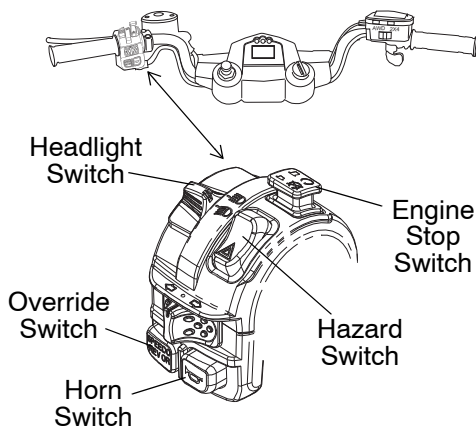
The engine will not start or run when the switch is in the OFF position.

☐ ⓧ OFF

☐ ○ RUN

Push the stop switch down to stop the engine quickly. Pull the stop switch up to the RUN position before attempting to start the engine.

Both the main switch and the engine stop switch will shut off all electrical power to the vehicle, including lights.



### Override Switch

This vehicle is equipped with a reverse speed limiter system. To gain additional wheel speed while backing, release the throttle and press the override switch.



Pressing the override switch while the throttle is open can cause loss of control, which may result in serious injury or death. Always release the throttle before pressing the override switch.

The override switch also allows activation of All Wheel Drive in reverse, if the AWD switch is on.

# FEATURES AND CONTROLS

## Switches

### Headlight Switch

The lights do not operate unless the main key switch is on and the engine stop switch is in the RUN position.

☰ High Beam

☼ Low Beam

### Turn Signal Switch

↔ Push the toggle switch either left or right to activate the corresponding turn signal light. The indicator on the pod will also flash. Return the toggle to the center position and push it inward to end the signal.

### Hazard Switch

⚠ Push the hazard warning switch to cause all turn signal lights to flash simultaneously. Use this feature to alert others of an emergency or other situation requiring caution.

### Horn Switch

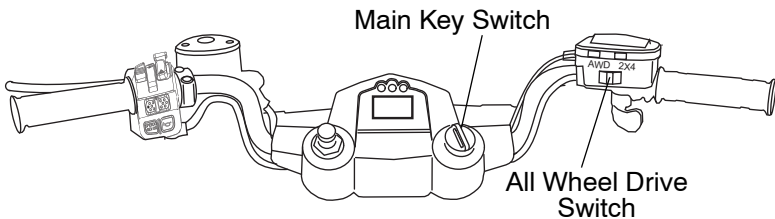
📣 Press the horn switch to sound the horn.

### Main Key Switch

Use the main key switch to start the engine. See page 31 for starting procedures.

### All Wheel Drive Switch

See page 28 for all wheel drive information.





# FEATURES AND CONTROLS

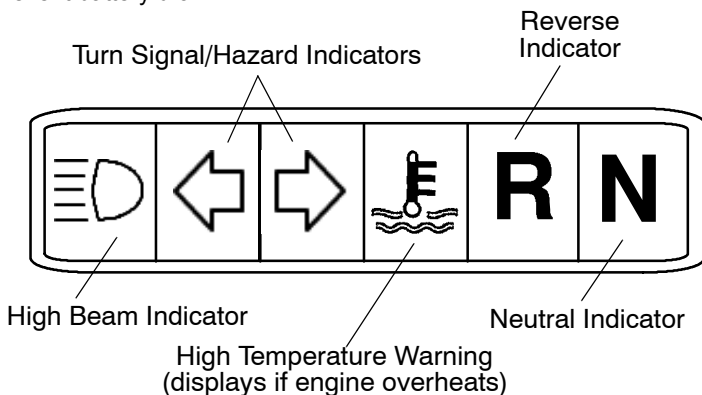
## Mirrors

Use the mirrors to assist in traffic maneuvers. Always check and adjust the mirrors before driving the vehicle.

## Indicator Lights

With the engine running, verify the function of all indicator lights before each use of the vehicle.

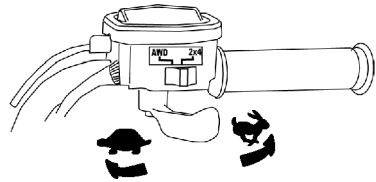
**Tip:** The taillight is on whenever the main switch (key) is on. Turn the key off to prevent battery drain.



# FEATURES AND CONTROLS

## Throttle Lever

Press the throttle lever to increase engine speed and vehicle movement. Release the lever to reduce engine speed and vehicle movement.



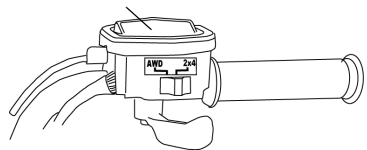
Failure to check or maintain proper operation of the throttle system can result in an accident if the throttle lever sticks during operation. Check the lever for proper operation before starting the engine. Check occasionally during operation.

Do not start or operate a vehicle with sticking or improperly operating throttle controls. Contact your dealer for repair if throttle problems arise.

## Electronic Throttle Control (ETC)

ETC causes the engine to stop if the throttle cable sticks in an open position when the operator releases the throttle lever.

Electronic Throttle Control



The Electronic Throttle Control (ETC) stops the engine in the event of a throttle system malfunction. Do not modify the ETC system or replace it with other throttle mechanisms.

# FEATURES AND CONTROLS

## Brakes

---



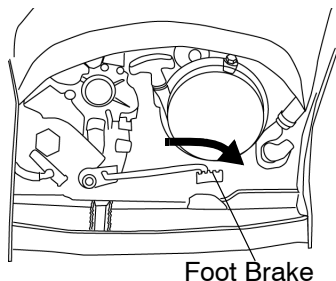
Aggressively applying the brakes when backing down a hill may cause rear tipover. Aggressively applying the brakes while moving forward may cause the rear wheels to skid and result in loss of control.

Read this owner's manual and understand the operation of all brake systems on this vehicle. Always use caution whenever applying the brakes.

### Foot Brake

The all-wheel foot brake is located on the right footrest. The foot brake operates both front and rear brakes. Press the brake pedal down with your foot to apply the all-wheel brakes.

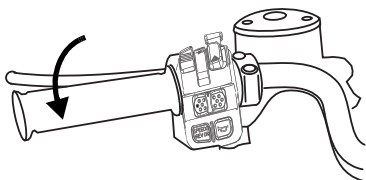
If the rear wheels begin to skid or slide while using the foot brake, reduce brake pressure.



### Hand Brake Lever

The hand brake operates both front and rear brakes. Squeeze the brake lever toward the handlebar to apply the all-wheel brakes.

If the rear wheels begin to skid or slide while using the hand brake, reduce lever pressure.



Operating the vehicle with a spongy brake lever can result in loss of braking, which could cause an accident. Never operate the vehicle with a spongy-feeling brake lever. Always contact your dealer for service before operating the vehicle.

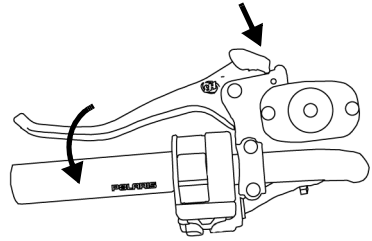
# FEATURES AND CONTROLS

## Brakes

### Parking Brake

#### Locking the Parking Brake

1. Place the transmission in gear.
2. Squeeze and release the brake lever two or three times, then squeeze and hold.
3. Push the parking brake lock forward to engage the lock.
4. Release the brake lever.
5. To release the parking brake lock, squeeze and release the brake lever. It will return to its unlocked position.



Operating the vehicle while the parking brake is engaged could result in an accident and serious injury or death. Always release the parking brake lock before operating.

## Transmission Gear Selector

The transmission gear selector is located on the right side of the vehicle.

F: Forward Gear

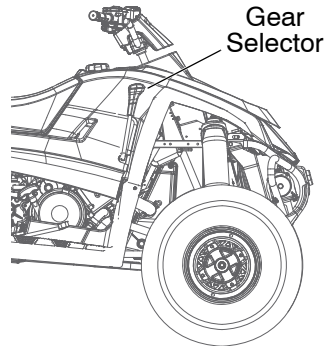
N: Neutral

R: Reverse

To shift gears, brake to a complete stop. When the engine is idling, move the lever to the desired gear.

**NOTICE:** Shifting gears with the engine speed above idle or while the vehicle is moving could cause transmission damage.

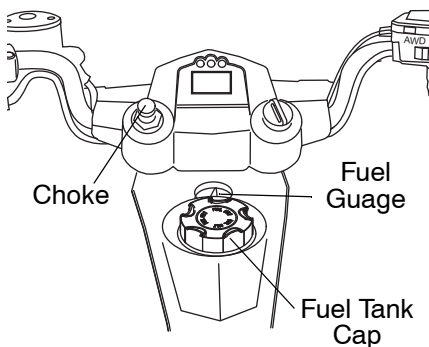
Whenever the vehicle is left unattended, always place the transmission in gear and lock the parking brake.



# FEATURES AND CONTROLS

## Choke

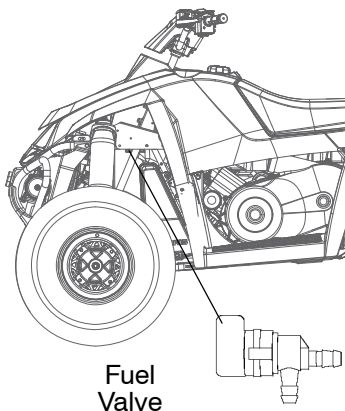
The choke assists in starting a cold engine. Refer to the engine starting procedure on page 31 for correct choke and throttle settings during starting.



## Fuel Tank Cap

Always refuel with the engine stopped, and outdoors or in a well ventilated area. Refuel on a level surface.

Remove the fuel tank cap to add fuel to the fuel tank. Use either leaded or unleaded gasoline with a minimum pump octane number of  $87=(R+M/2)$  octane. *Do not use fuel with ethanol content greater than 10 percent, such as E-85 fuel.*

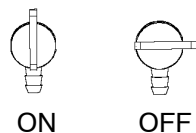


## Fuel Valve

The fuel valve is located on the left side of the vehicle, below the fender.

ON: For normal operation.

OFF: For vehicle storage and when transporting.



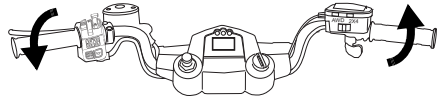
## Fuel Filter

The in-line fuel filter should be replaced by your dealer after every 100 hours of operation or annually. Do not attempt to clean the fuel filter.

# FEATURES AND CONTROLS

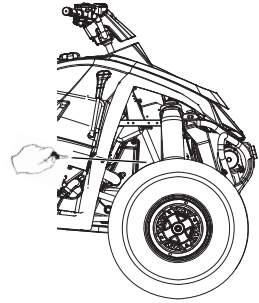
## Steering Lock

Lock the steering to prevent unauthorized use or theft of the vehicle.



**Tip:** Place the steering lock keys in a safe place. The lock must be replaced if the keys are lost.

1. Turn the handlebars to the full left position.
2. Insert the steering lock key and turn it clockwise. Remove the key.
3. Reverse the procedure to unlock the steering.



The handlebars are locked in the full left position when the steering is locked. Always unlock the steering before starting the engine.

# FEATURES AND CONTROLS

## All Wheel Drive (AWD) System

The AWD switch may be turned on or off while the vehicle is moving. AWD will not engage until engine speed is below 3100 RPM. AWD remains engaged until the switch is turned off. There is no limit to the length of time the vehicle may remain in AWD.

If the switch is turned off while the demand drive unit is engaged, it will not disengage until the rear wheels regain traction. Engage AWD before getting into situations where maximum traction is needed. If the rear wheels are spinning, release the throttle before switching to AWD.

**Tip:** The override switch allows activation of AWD in reverse if the AWD switch is on.

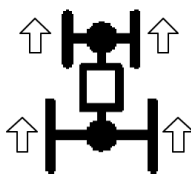
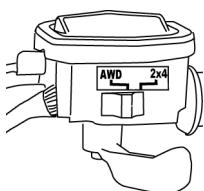


Switching to AWD while the rear wheels are spinning may cause severe drive shaft and gearcase damage. Always switch to AWD while the rear wheels have traction or are at rest.

---

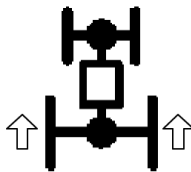
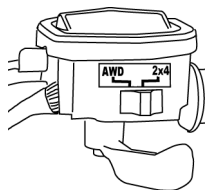
### AWD

When the AWD switch is on, the vehicle is in four-wheel drive and the differential is locked, providing maximum traction. The demand drive unit automatically engages when the rear wheels lose traction. When the rear wheels regain traction, the demand drive unit automatically disengages.



### 2X4

When the 2X4 switch is on, the vehicle is in two-wheel drive at all times and the differential is locked.



## Break-In Period

The break-in period for your new Polaris vehicle is the first ten hours of operation, or the time it takes to use the first two full tanks of gasoline. No single action on your part will increase the life and performance of your vehicle more than following the procedures for a proper break-in. Careful treatment of a new engine and drive components will result in more efficient performance and longer life for these components.

Do not operate at full throttle or high speeds for extended periods during the first three hours of use.

## Engine and Drivetrain Break-in

1. Fill the fuel tank with gasoline. See page 26.
2. Check the oil level. Add oil if necessary.
3. Select an open area that allows room to familiarize yourself with vehicle operation and handling.
4. Drive slowly. Vary the throttle positions. Do not operate at sustained idle.
5. Perform regular checks on fluid levels, controls and areas outlined on the daily pre-ride inspection checklist. See page 30.
6. Pull only light loads.
7. Change both the oil and the filter at 20 hours or one month.

## PVT Break-in (Clutches/Belt)

Break in the clutches and belt by operating at slower speeds during the break-in period as recommended. Pull only light loads. Avoid aggressive acceleration and high speed operation during the break-in period.



# OPERATION

## Pre-Ride Checklist

Failure to inspect and verify that the vehicle is in safe operating condition before operating increases the risk of an accident. Always inspect the vehicle before each use to make sure it's in safe operating condition.

Item	Remarks	Page
Hand brake	Ensure proper operation	24
Brake fluid	Ensure proper level	59
Foot brake	Ensure proper operation	24
Front suspension	Inspect, lubricate if necessary	51
Rear suspension	Inspect, lubricate if necessary	51
Steering/steering lock	Unlock the steering; ensure free operation	27
Tires	Inspect condition and pressure	65
Wheels/fasteners	Inspect, ensure fastener tightness	65
Frame nuts, bolts, fasteners	Inspect, ensure tightness	-
Fuel and oil	Ensure proper levels	26 52
Coolant level	Ensure proper level	74
Coolant hoses	Inspect for leaks	-
Throttle	Ensure proper operation	23 64
Indicator lights/switches	Ensure operation	20
Engine stop switch	Ensure proper operation	20
Mirrors	Adjust for best side/rear vision	22
Drive chain	Check condition/slack, lubricate as needed	71
Air filter, pre-filter	Inspect, clean	68
Air box sediment tube	Drain deposits whenever visible	-
Headlamp	Check operation, apply Polaris dielectric grease when lamp is replaced	21 77
Brake light/taillight	Check operation, apply Polaris dielectric grease when lamp is replaced	78
Riding gear	Wear approved helmet, goggles, and protective clothing	8

## Starting the Engine



Engine exhaust contains poisonous carbon monoxide and can cause loss of consciousness resulting in severe injury or death. Never run an engine in an enclosed area.

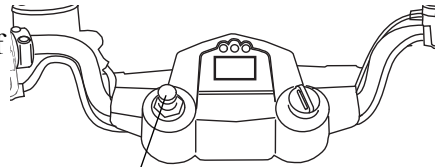
1. Position the vehicle on a level surface.
2. Place the transmission in neutral.
3. Lock the parking brake.

**Tip:** The starter interlock will prevent the engine from starting if the transmission is in gear and the brake is not engaged.

4. Turn the fuel valve on.
5. Sit on the vehicle.

**Tip:** Do not use the choke if starting a warm engine. Excessive use of the choke can cause the spark plug to become wet fouled.

6. If the engine is cold, pull the choke knob out until it stops. If the knob doesn't stay where positioned, increase the tension by rotating the tension adjusting nut clockwise.



Choke Knob

Adjusting Nut

**Tip:** The variable choke is fully on when the knob is pulled completely out. The choke is off when the knob is pushed completely in. The choke can be adjusted gradually, depending on how much choke is needed for starting. Be sure the choke is off during operation, as excess fuel washing into the engine oil will increase wear on engine components.

7. Pull the engine stop switch up to RUN.

# OPERATION

## Starting the Engine

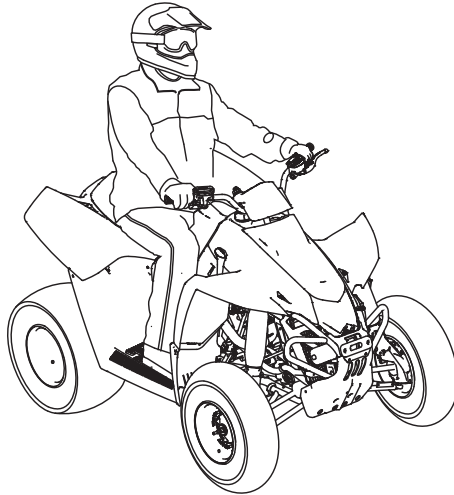
8. Do not press the throttle while starting the engine. Turn the ignition key past the ON position to engage the starter. Activate the starter for a maximum of five seconds, releasing the key when the engine starts.
9. If the engine does not start, release the starter and wait five seconds.
10. Repeat steps 8 and 9 until the engine starts.



Operating the vehicle immediately after starting could cause engine damage. Allow the engine to warm up for several minutes before operating the vehicle.

11. If a warm engine has cooled to a point where it does not readily start, intermittent use of the choke (knob pulled half way out) may be necessary. If the engine is over-choked when warm, depress the throttle lever fully while cranking to aid in starting. Release the throttle lever *immediately* after the engine starts. If the engine does not start and all conditions are favorable, change the spark plug and try again.
12. If the engine slows or stops, position the choke knob half way in to allow proper engine warm up. Vary the engine RPM slightly with the throttle to aid in warm-up. When the engine idles smoothly, push the choke completely in.

## Driving Procedures

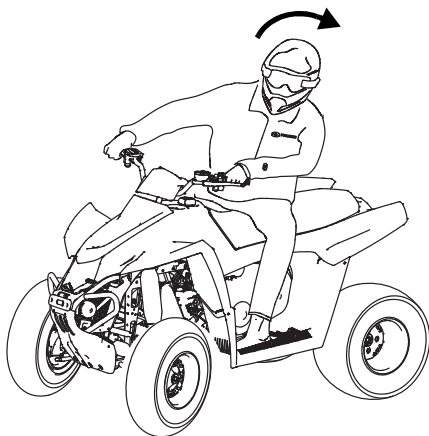


1. Wear a helmet and eye protection. See page 8.
2. Sit upright. Keep your feet on the footrests. Keep both hands on the handlebars.
3. Start the engine and allow it to warm up.
4. Shift the transmission into gear.
5. Check your surroundings and determine your path of travel.
6. Release the parking brake.
7. Slowly squeeze the throttle lever toward the handlebar to begin driving.
8. Drive slowly. Practice maneuvering and using the throttle and brakes on level surfaces.

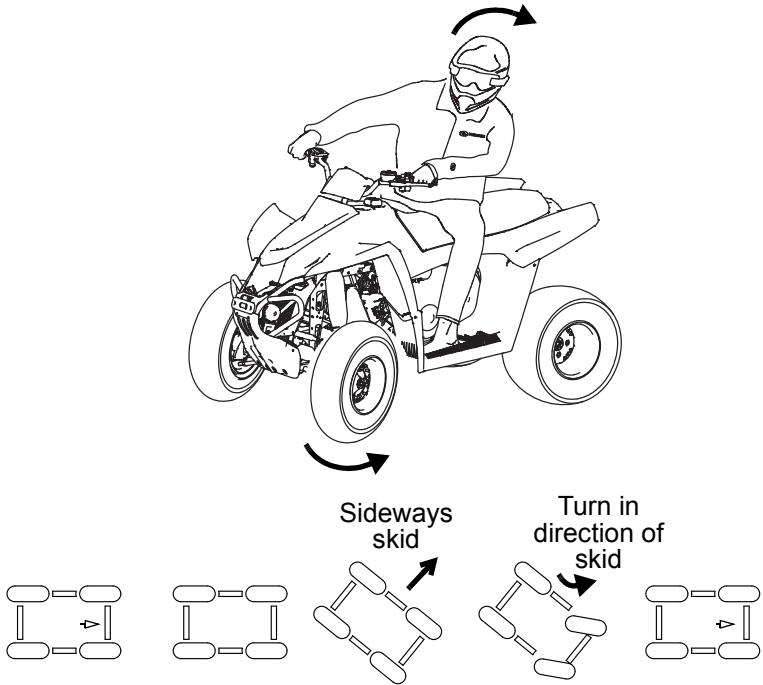
# OPERATION

## Turning the Vehicle

1. Before turning, activate a turn signal to alert others of your intentions. Activate the left signal before a left turn. Activate the right signal before a right turn.
2. Steer in the direction of the turn, leaning your upper body to the inside of the turn while supporting your weight on the outer footrest. Use the same leaning technique for turning in reverse.
3. Practice turning at slow speeds before attempting to turn at faster speeds.



## Driving on Slippery Surfaces



Whenever riding on slippery surfaces such as wet trails or loose gravel, or during freezing weather, follow these precautions:

1. Do not operate on excessively rough, slippery or loose terrain.
2. Slow down when entering slippery areas.
3. Engage AWD before wheels begin to lose traction.

**NOTICE:** Severe damage to drive train may occur if AWD is engaged while the wheels are spinning. Allow the rear wheels to stop spinning before engaging AWD, or engage AWD before wheels begin to lose traction.

4. Be alert.
5. Watch the trail.
6. Avoid quick, sharp turns.

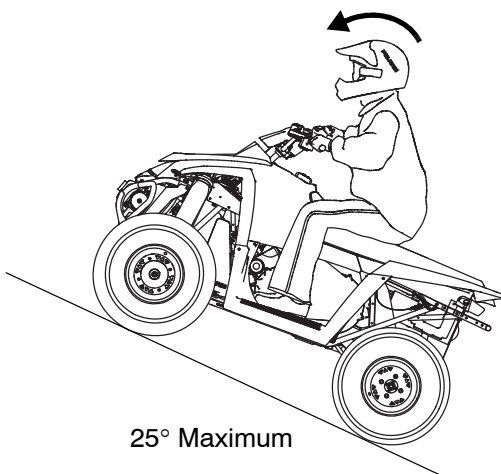
**Tip:** To correct a rear wheel skid, turn the handlebars in the same direction as the skid and shift body weight forward.

# OPERATION

## Driving Uphill

Whenever traveling uphill, follow these precautions:

1. Avoid steep hills (25° maximum).
2. Check the terrain carefully.
3. Avoid hills with excessively slippery or loose surfaces.
4. Shift your weight uphill.
5. Drive straight uphill.
6. Keep your feet on the footrests.
7. Drive at a steady rate of speed to avoid stalling.
8. Be alert. Be prepared to take emergency action. This may include dismounting quickly.
9. Never open the throttle suddenly or make sudden gear changes.
10. Never go over the top of a hill at high speed.



### ***If all forward speed is lost:***

Keep your weight uphill.

*If the vehicle begins rolling downhill, never apply engine power. Never apply the brakes aggressively while rolling backwards.*

Apply the brakes gradually. When fully stopped, lock the parking brake. See page 25.

Dismount on the uphill side, or to either side if the vehicle is pointed straight uphill. Turn the vehicle around using the K-Turn. See page 39.

## Driving on a Sidehill (Sidehilling)



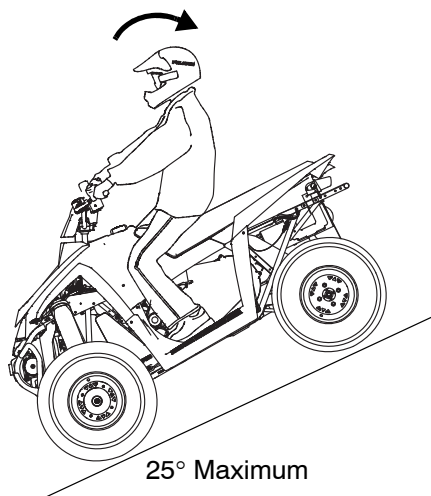
Avoid crossing the side of a hill (sidehilling) if possible. If sidehilling is necessary, follow these precautions:

1. Slow down.
2. Avoid hills with excessively slippery or loose surfaces.
3. Avoid crossing the sides of steep hills.
4. Shift your weight uphill.
5. Keep your feet on the footrests.
6. If the vehicle begins to tip, quickly turn the front wheels downhill (if possible) or dismount on the uphill side *immediately!*



# OPERATION

## Driving Downhill

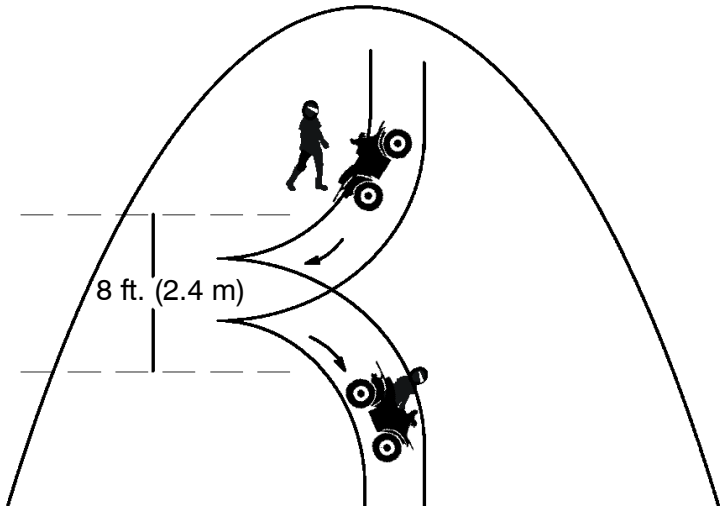


When driving downhill, follow these precautions:

1. Check the terrain carefully.
2. Avoid hills with excessively slippery or loose surfaces.
3. Never drive downhill at high speed.
4. Slow down.
5. Avoid driving downhill at an angle, which can cause the vehicle to pitch sharply to one side. Drive straight downhill.
6. Shift your weight rearward.
7. Apply the brakes *slightly* to aid in slowing.

## Turning Around on a Hill (K-Turn)

If the vehicle stalls while climbing a hill, never back it down the hill!  
Use the K-turn to turn around.



1. Stop the vehicle. Keep your weight uphill.
2. Lock the parking brake. Leave the transmission in forward gear. Turn the engine off.
3. Dismount on the uphill side of the vehicle, or on the left if the vehicle is pointing straight uphill.
4. Staying uphill of the vehicle, turn the handlebars full left. Squeeze the brake lever to release the parking brake.
5. Slowly release the brake lever and allow the vehicle to roll around to your right until it's pointing across the hill or slightly downward.
6. Lock the parking brake. Remount from the uphill side. Keep your weight uphill.
7. Apply the foot brake. Squeeze and release the brake lever to release the parking brake.
8. Release the foot brake and drive *slowly* downhill. Control speed with either the hand or foot brake until the vehicle is on level ground.

# OPERATION

## Driving Through Water

Your Polaris vehicle can operate through water with a maximum recommended depth equal to the bottom of the footrests. Follow these procedures when operating through water:

1. Determine water depths and current before entering water.
2. Choose a crossing where both banks have gradual inclines.
3. Avoid operating through deep or fast-flowing water.



Maximum Depth

**NOTICE:** Major engine damage can result if the vehicle is not thoroughly inspected after operation in water. Perform the services outlined in the maintenance chart. See page 47. The following areas need special attention: engine oil, transmission oil, front and rear gearcases (if equipped) and all grease fittings.

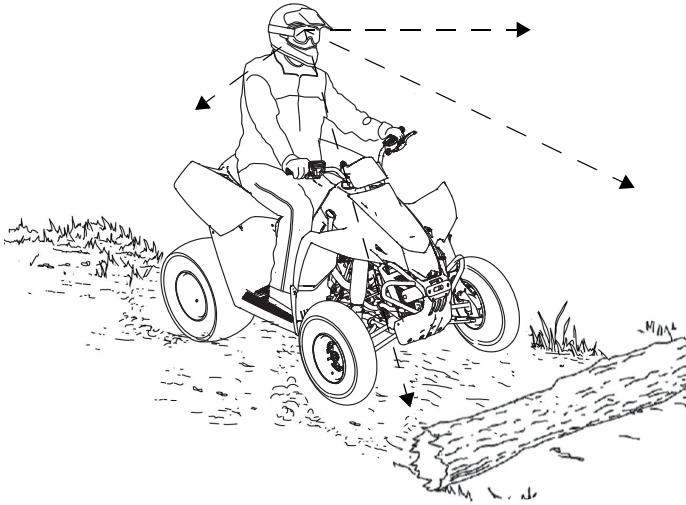
If the vehicle tips or overturns in water, or if the engine stops during or after operating in water, restarting can result in serious engine damage. Transport the vehicle to your dealer for service before restarting the engine. If this is not possible, follow the vehicle immersion inspection and drying procedures outlined on page 81, then see your dealer for service at the first opportunity.

4. After leaving water, test the brakes. Apply them lightly several times while driving slowly. The friction will help dry out the pads.

*If it's unavoidable to enter water deeper than the footrest level:*

- Proceed slowly. Avoid rocks and obstacles.
- Balance your weight carefully. Avoid sudden movements.
- Maintain a steady rate of speed. Do not make sudden turns or stops. Do not make sudden throttle changes.

## Driving Over Obstacles

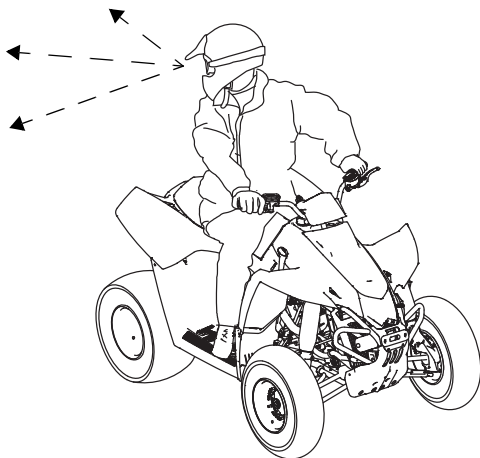


Follow these precautions when operating over obstacles:

1. Always check for obstacles before operating in a new area.
2. Look ahead and learn to read the terrain. Be constantly alert for hazards such as logs, rocks and low hanging branches.
3. Travel slowly and use extra caution when operating on unfamiliar terrain. Not all obstacles are immediately visible.
4. Never attempt to operate over large obstacles, such as rocks or fallen trees.

# OPERATION

## Driving in Reverse

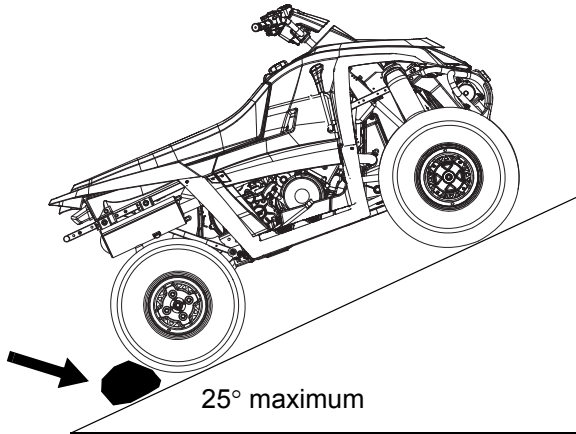


Follow these precautions when operating in reverse:

1. Always check for obstacles or people behind the vehicle.
2. Always avoid backing downhill.
3. Back slowly.
4. Apply the brakes *lightly* for stopping.
5. Avoid turning at sharp angles.
6. Never open the throttle suddenly.
7. Do not use the override switch unless additional wheel speed is required for vehicle movement. Use the override with caution as rearward vehicle speed is greatly increased. Do not operate at wide open throttle. Operate the throttle just enough to maintain a desired speed.

**NOTICE:** Excessive throttle operation while in the speed limit mode may cause fuel to build in the exhaust, resulting in engine popping and/or engine damage.

## Parking on an Incline



Avoid parking on an incline if possible. If it's unavoidable, follow these precautions:

1. Stop the engine.
2. Place the transmission in gear.
3. Lock the parking brake.
4. Always block the rear wheels on the downhill side.
5. Turn the fuel valve off.

# OPERATION

## Hauling Cargo

---



Overloading the vehicle or carrying or towing cargo improperly can alter vehicle handling and may cause loss of control or brake instability, which can result in serious injury or death. Always follow these precautions when hauling cargo:

**REDUCE SPEED AND ALLOW GREATER DISTANCES FOR BRAKING WHEN HAULING CARGO.**

**NEVER EXCEED THE MAXIMUM WEIGHT CAPACITY** of the vehicle. When determining the weight you are adding to the vehicle, include the weight of the operator, accessories, loads in the rack or box and the load on the trailer tongue. The combined weight of these items must not exceed the maximum weight capacity.

When operating over rough or hilly terrain, reduce speed and cargo to maintain stable driving conditions.

**CARRY LOADS AS LOW ON THE RACK AS POSSIBLE.** Carrying a load high on the rack raises the center of gravity of the vehicle and creates a less stable operating condition.

**SECURE ALL LOADS BEFORE OPERATING.** Unsecured loads can create unstable operating conditions, which could result in loss of control of the vehicle.

**OPERATE ONLY WITH STABLE AND SAFELY ARRANGED LOADS.** When handling off-centered loads that cannot be centered, securely fasten the load and operate with extra caution. Always attach the tow load to the hitch point designated for your vehicle.

**HEAVY LOADS CAN CAUSE BRAKING AND CONTROL PROBLEMS.** Use extreme caution when applying brakes with a loaded vehicle. Avoid terrain or situations that may require backing downhill.

**USE EXTREME CAUTION** when operating with loads that extend over the rack sides. Stability and maneuverability may be adversely affected, causing the vehicle to overturn.

**NEVER CARRY CARGO ON THE FRONT OF THE VEHICLE.**

**DO NOT TRAVEL FASTER THAN THE RECOMMENDED SPEEDS.** Vehicle should never exceed 10 mph (16 kph) while towing a load on a level surface. Vehicle speed should never exceed 5 mph (8 kph) when towing loads in rough terrain, while cornering, or while ascending or descending a hill.

## Hauling Cargo Load Distribution

Accessory racks and hitches are available from your Polaris dealer. Read and understand the load distribution warnings listed on the vehicle warning labels. Never exceed the specified weights.

Never carry cargo on the front of the vehicle.

Cargo should be evenly distributed and mounted as low as possible on the rear rack. When operating over rough or hilly terrain, reduce speed and cargo or towed load to maintain stable driving conditions.

## Towing Loads

Towing is approved OFF-ROAD ONLY. Do not exceed the maximum capacities when towing. Do not tow any trailer on a grade steeper than 15°.

Always attach a towed load to the hitch point. Remove the hitch when not towing a trailer. If towing a load, reduce rear rack cargo weight by the amount of tongue weight.

- The combination of rear rack cargo weight and tongue weight must not exceed the rear rack capacity.
- The total load (operator, accessories, cargo and weight on hitch) must not exceed the maximum weight capacity of the vehicle.



# **EMISSION CONTROL SYSTEMS**

## **Noise Emission Control System**

Do not modify the engine, intake or exhaust components, as doing so may affect compliance with governmental noise level requirements.

## **Spark Arrestor**

Your Polaris vehicle has a spark arrestor that was designed for on-road and off-road operation. It is required that this spark arrestor remain installed and functional when the vehicle is operated.

## **Exhaust Emission Control System**

The emissions from the exhaust of this vehicle are controlled by engine design, including factory-set fuel delivery and ignition. The engine and related components must be maintained at Polaris specifications to achieve optimal performance.

Engine idle speed is the only adjustment Polaris recommends that the operator perform. Any other adjustments should be performed by an authorized Polaris dealer.

## **Electromagnetic Interference**

This spark ignition system complies with Canadian ICES-002.

This vehicle complies with the EMC requirements of European directives 97/24/EC and 2004/108/EC.

## Periodic Maintenance Chart

Careful periodic maintenance will help keep your vehicle in the safest, most reliable condition. Inspection, adjustment and lubrication of important components are explained in the periodic maintenance chart.

Inspect, clean, lubricate, adjust and replace parts as necessary. When inspection reveals the need for replacement parts, use genuine Polaris parts available from your Polaris dealer.

Record maintenance and service in the Maintenance Log beginning on page 111.

Service and adjustments are important for proper vehicle operation. If you're not familiar with safe service and adjustment procedures, have a qualified dealer perform these operations.

Maintenance intervals in the following chart are based upon average riding conditions and an average vehicle speed of approximately 10 miles per hour (16 km/h). Vehicles subjected to severe use must be inspected and serviced more frequently.

### Severe Use Definition

- Frequent immersion in mud, water or sand
- Racing or race-style high RPM use
- Prolonged low speed, heavy load operation
- Extended idle
- Short trip cold weather operation

Pay special attention to the oil level. A rise in oil level during cold weather can indicate contaminants collecting in the oil sump or crankcase. Change oil immediately if the oil level begins to rise. Monitor the oil level, and if it continues to rise, discontinue use and determine the cause or see your dealer.

# MAINTENANCE

## Periodic Maintenance Chart



Improperly performing the procedures marked with a ■ could result in component failure and cause an accident, which may result in serious injury or death. Always have an authorized Polaris dealer perform these services.

### Maintenance Chart Key

- ▶ Perform these operations more often for vehicles subjected to severe use.
- E Emission-related service (Failure to conduct this maintenance will not void the emissions warranty but may affect emissions.)
- Have an authorized Polaris dealer perform these services.

*Perform all services at whichever maintenance interval is reached first.*

	Item	Maintenance Interval (whichever comes first)			Remarks
		Hours	Calendar	Miles (Km)	
■	Steering	-	Pre-Ride	-	Make adjustments as needed. See Pre-Ride Checklist on page 30.
▶	Front suspension	-	Pre-Ride	-	
▶	Rear suspension	-	Pre-Ride	-	
	Tires	-	Pre-Ride	-	
▶	Brake fluid level	-	Pre-Ride	-	
▶	Brake lever travel	-	Pre-Ride	-	
	Brake system	-	Pre-Ride	-	
	Wheels/fasteners	-	Pre-Ride	-	
	Frame fasteners	-	Pre-Ride	-	
▶	Engine oil level	-	Pre-Ride	-	
▶ E	Air filter, pre-filter	-	Daily	-	Inspect; clean often; replace as needed
▶	Air box sediment tube	-	Daily	-	Drain deposits when visible
	Headlamp/tail lamp	-	Daily	-	Check operation; apply dielectric grease if replacing
▶ E	Air filter, main element	-	Weekly	-	Inspect; replace as needed
▶ ■	Brake pad wear	10 H	Monthly	100 (160)	Inspect periodically

# MAINTENANCE

## Periodic Maintenance Chart

	Item	Maintenance Interval (whichever comes first)			Remarks
		Hours	Calendar	Miles (Km)	
	Battery	20 H	Monthly	200 (320)	Check terminals; clean; test
▶	Demand drive fluid	25 H	Monthly	250 (400)	Inspect level; change yearly
▶	Transmission oil	25 H	Monthly	250 (400)	Inspect level; change yearly
▶ E	Engine breather filter (if equipped)	25 H	Monthly	250 (400)	Inspect; clean if needed
▶	General lubrication	50 H	3 M	500 (800)	Lubricate all fittings, pivots, cables, etc.
	Carburetor float bowl	50 H	6 M	500 (800)	Drain bowl periodically and prior to storage
■ E	Throttle Cable/ ETC Switch	50 H	6 M	500 (800)	Inspect; adjust; lubricate; replace if necessary
■ E	Choke cable	50 H	6 M	500 (800)	Inspect; adjust; lubricate; replace if necessary
E	Carburetor air intake ducts/flange	50 H	6 M	500 (800)	Inspect duct for proper sealing/air leaks
	Drive belt	50 H	6 M	500 (800)	Inspect; adjust; replace as needed
	Cooling system (if applicable)	50 H	6 M	1000 (1600)	Inspect coolant strength seasonally; pressure test system yearly
▶	Engine oil change	100 H	6 M	1000 (1600)	Perform a break-in oil change at 20 hours
▶	Oil filter change	100 H	6 M	1000 (1600)	Replace with oil change
▶	Oil tank vent hose (if equipped)	100 H	12 M	1000 (1600)	Inspect routing, condition
■ E	Valve clearance	100 H	12 M	1000 (1600)	Inspect; adjust
■ E	Fuel system/filter	100 H	12 M	1000 (1600)	Check for leaks at tank cap, lines, fuel valve, filter, pump, carburetor; replace lines every two years

- ▶ Perform these procedures more often for vehicles subjected to severe use.
- E Emission-Related Service
- Have an authorized Polaris dealer perform these services.

# MAINTENANCE

## Periodic Maintenance Chart

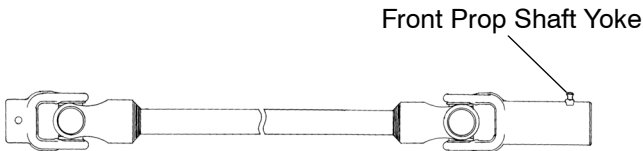
Item		Maintenance Interval (whichever comes first)			Remarks
		Hours	Calendar	Miles (Km)	
▶	Radiator (if applicable)	100 H	12 M	1000 (1600)	Inspect; clean external surfaces
▶	Cooling hoses (if applicable)	100 H	12 M	1000 (1600)	Inspect for leaks
▶	Engine mounts	100 H	12 M	1000 (1600)	Inspect
	Exhaust muffler/ pipe	100 H	12 M	1000 (1600)	Inspect
■ E	Spark plug	100 H	12 M	1000 (1600)	Inspect; replace as needed
■ E	Ignition Timing	100 H	12 M	1000 (1600)	Inspect
▶	Wiring	100 H	12 M	1000 (1600)	Inspect for wear, routing, security; apply dielectric grease to connectors subjected to water, mud, etc.
■	Clutches (drive and driven)	100 H	12 M	1000 (1600)	Inspect; clean; replace worn parts
■	Front wheel bearings	100 H	12 M	1000 (1600)	Inspect; replace as needed
■	Brake fluid	200 H	24 M	2000 (3200)	Change every two years
	Spark arrestor	300 H	36 M	3000 (4800)	Clean out
	Idle speed	-			Adjust as needed
■	Toe adjustment	-			Inspect periodically; adjust when parts are replaced
	Headlight aim	-			Adjust as needed

## Lubrication Guide

Check and lubricate all components at the intervals outlined in the Periodic Maintenance Chart beginning on page 47. Items not listed in the chart should be lubricated at the General Lubrication interval.

The a-arms and lower control arms are lubricated at the factory, and no additional lubrication will be needed. However, if these components are subjected to severe use, grease zerks have been provided for additional lubrication at the user's discretion.

Item	Lube	Method
Engine Oil	PS-4 PLUS Performance Synthetic 2W-50	See page 52.
Brake Fluid	DOT 4 Only	See page 59.
Drive Chain(s)	O-ring chain lube or SAE 80/90	Lubricate.
Transmission Oil	AGL Synthetic Gearcase Lube	See page 56.
Demand Drive Fluid (Front Gearcase)	Demand Drive LT Premium Fluid	See page 58.
Front Prop Shaft Yoke	Premium U-Joint Lube	Grease fittings (3 pumps maximum) every 500 miles (800 km), before long periods of storage, or after pressure washing or submerging.



# MAINTENANCE

## Engine Oil

### Oil Recommendations

Always change the oil filter whenever changing oil.

Polaris recommends the use of Polaris PS-4 *PLUS Performance Synthetic 2W-50* 4-cycle oil or a similar oil for this engine. Oil may need to be changed more frequently if Polaris oil is not used. Always use 2W-50 oil. Follow the manufacturer's recommendations for ambient temperature operation. See page 99 for the part numbers of Polaris products.



Mixing brands or using a non-recommended oil may cause serious engine damage. Always use the recommended oil. Never substitute or mix oil brands.

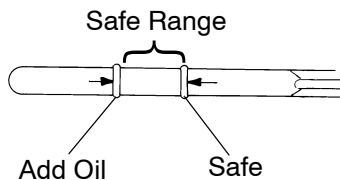
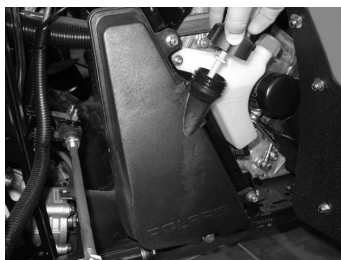
### Oil Specifications

Lubricant	Capacity	Drain Plug Torque
PS-4 PLUS Performance Synthetic 2W-50 4-Cycle Oil	2 qts. (1.9 l)	14-17 ft. lbs. (19-23 Nm)

### Oil Level

The oil dipstick is located on the left side of the vehicle.

1. Position the vehicle on a level surface. Place the transmission in neutral. Lock the parking brake.
2. Start the engine. Allow it to idle for 30 seconds. Stop the engine.
3. Remove the dipstick. Wipe it dry with a clean cloth.
4. Reinstall the dipstick completely. Make sure the cap is fully seated to keep the angle and depth of the stick consistent.
5. Remove the dipstick and check the oil level. Add oil as needed. Maintain the oil level in the safe range. Do not overfill.
6. Reinstall the dipstick.



## Oil and Filter Change

Always change the oil and filter at the intervals outlined in the Periodic Maintenance Chart beginning on page 47. Always change the oil filter whenever changing oil.

1. Position the vehicle on a level surface. Clean the area around the drain plug at the bottom of the oil tank and the bottom of the engine.
2. Start the engine. Allow it to idle for two to three minutes. Stop the engine.
3. Place a drain pan under the oil tank. Remove the drain plug. Allow the oil to drain completely.



Hot oil can cause burns to skin. Do not allow hot oil to contact skin.

4. Reinstall the drain plug with a new sealing washer. Torque to specification. See page 52.

**Tip:** The sealing surfaces on the drain plug and crankcase should be clean and free of burrs, nicks or scratches.

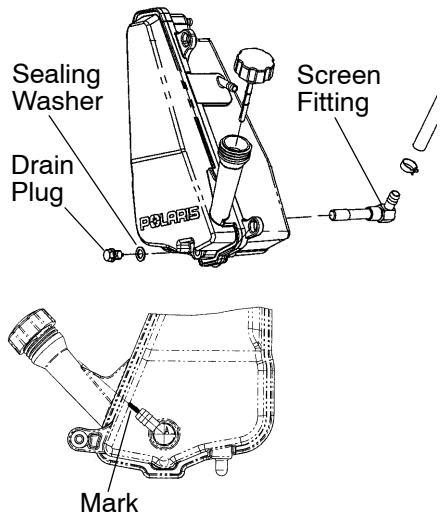
5. Disconnect the lower oil delivery hose and remove the screen fitting from the oil tank. Clean the fitting.

**NOTICE:** The fitting threads must be sealed with LOCTITE PST 505 or PTFE seal tape.

6. Reinstall the screen fitting and rotate the fitting clockwise a minimum of 2 1/2 turns into the tank threads. Continue to rotate the fitting until the nipple of the fitting aligns with the mark on the tank.

**NOTICE:** Do not over-tighten. Maximum torque for the screen fitting is 25 ft. lbs. (34 Nm).

7. Reattach the oil line.

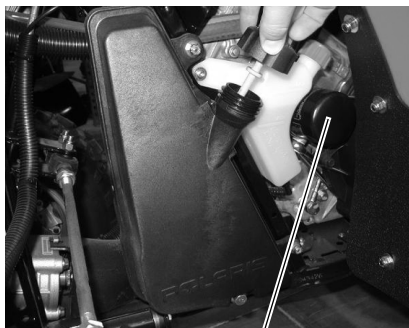




# MAINTENANCE

## Oil and Filter Change

8. Place towels under the oil filter. Using an oil filter wrench, turn the filter counterclockwise to remove it.
  9. Lubricate the gasket on the new filter with a film of new engine oil. Check to make sure the gasket is in good condition. Make sure the gasket from the old filter is not still on the engine.
  10. Install the new oil filter. After the filter contacts the engine surface, turn it 1/2 to 3/4 turn by hand.
  11. Approximately one cup of engine oil will remain in the crankcase. To drain, remove the drain plug on the lower right side of the crankcase.
- Tip:** The sealing surfaces on the drain plug and crankcase should be clean and free of burrs, nicks or scratches.
12. Reinstall the drain plug and torque to 14 ft. lbs. (19 Nm).
  13. Remove the dipstick. Add the recommended oil. See page 52. Reinstall the dipstick.
- Tip:** If the sump is not drained, add about 1 3/4 quarts initially.
14. Place the transmission in neutral. Lock the parking brake.
  15. *Prime the oil pump using the procedure on page 55.* Then stop the engine and inspect for leaks.
  16. Remove the dipstick and check the oil level. Add oil as needed. Maintain the oil level in the safe range. Do not overfill.
  17. Discard used oil and filter properly.

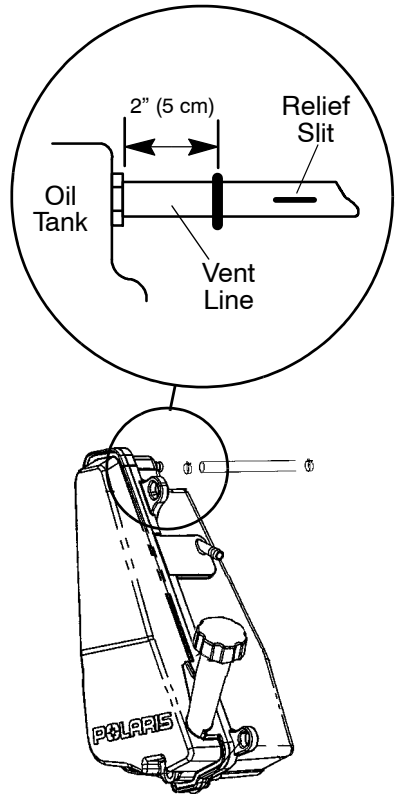


Filter

## Oil and Filter Change Oil Pump Priming

This priming procedure must be performed whenever the oil hose connection between the oil tank and pump inlet has been disconnected.

1. Clamp or pinch off the vent line approximately two inches (5 cm) from the oil tank, between the end of the oil tank vent fitting and the vent line's pressure relief slit.
2. Run the engine for 10-20 seconds.
3. Remove the vent line clamp. If the line is bled properly, you should hear a rush of air, indicating that the line is properly primed and ready for operation. *If you do not hear air, the line has not bled, and you'll need to repeat the priming procedure.*



# MAINTENANCE

## Transmission Oil

Always check and change the transmission oil at the intervals outlined in the Periodic Maintenance Chart beginning on page 47. Maintain the oil level at the bottom of the fill hole threads. See page 99 for the part numbers of Polaris products.

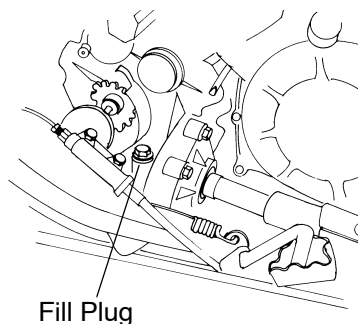
The fill plug is located on the left side of the vehicle, under the rear fender, behind the wheel. The drain plug is located behind the wheel well.

### Transmission Oil Recommendations

Gearcase	Lubricant	Capacity	Fill Plug Torque	Drain Plug Torque
Transmission	Premium AGL Synthetic Gearcase Lubricant	32 oz. (946 ml)	14 ft. lbs. (19 Nm)	14 ft. lbs. (19 Nm)

### Oil Check

1. Position the vehicle on a level surface.
2. Remove the propshaft shield from the right side of the vehicle to access the fill plug. Remove the fill plug.
3. Check the oil level. Add oil as needed. Do not overfill.
4. Reinstall the fill plug. Torque to specification.



## Transmission Oil Oil Change

1. Position the vehicle on a level surface.
2. Remove the propshaft shield from the right side of the vehicle to access the fill plug. Remove the fill plug.
3. Remove the transmission drain plug located on the bottom left-hand side and drain the oil into an appropriate container. Discard used oil properly.
4. Clean and reinstall the drain plug. Torque to specification.
5. Add the proper amount of the recommended lubricant.
6. Reinstall the fill plug. Torque to specification.
7. Check for leaks.
8. Reinstall the propshaft shield.

# MAINTENANCE

## Front Gearcase (Demand Drive) Fluid

Always check and change the demand drive fluid at the intervals outlined in the Periodic Maintenance Chart beginning on page 47. Maintain the fluid level at the bottom of the fill hole threads. See page 99 for the part numbers of Polaris products.

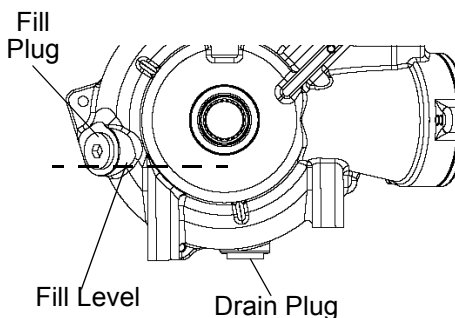
### Fluid Recommendations

Gearcase	Lubricant	Capacity	Fill Plug Torque	Drain Plug Torque
Front Gearcase	Demand Drive LT Premium Fluid	9 oz. (265 ml)	8-10 ft. lbs. (11-14 Nm)	11 ft. lbs. (15 Nm)

### Fluid Check

The fill plug is located on the right side of the demand drive unit.

1. Position the vehicle on a level surface.
2. Remove the fill plug. Check the fluid level.
3. Add the recommended demand drive fluid as needed to bring the level to the bottom of the fill hole threads.
4. Reinstall the fill plug. Torque to specification.



### Fluid Change

The drain plug is located on the bottom right side of the unit.

1. Position the vehicle on a level surface.
2. Remove the fill plug.
3. Place a drain pan under the demand drive unit. Remove the drain plug. Allow the fluid to drain completely.
4. Clean and reinstall the drain plug. Torque to specification.
5. Add the recommended fluid to capacity.
6. Reinstall the fill plug. Torque to specification.
7. Check for leaks.
8. Dispose of used fluid properly.

## Brake Fluid

Check brake fluid levels for both brake systems before each ride. Always maintain brake fluid at the recommended level. Do not overfill.

The brakes should feel firm when they're applied. Spongy or weak brakes may indicate a fluid leak or low fluid level. A low fluid level may also mean that brake pads are worn and need to be replaced. Do not operate the vehicle with spongy or weak brakes. See your dealer for service.



Operating the vehicle with a spongy brake can result in loss of braking, which could cause an accident. Never operate the vehicle with spongy-feeling brakes.

If the fluid level is low add DOT 4 brake fluid only. See page 99 for the part numbers of Polaris products.



An over-full master cylinder may cause brake drag or brake lock-up, which could result in serious injury or death. Maintain brake fluid at the recommended level. Do not overfill.

Under normal operation, the diaphragm extends into the reservoir as fluid level drops. If the fluid level is low and the diaphragm is not extended, a leak is likely and the diaphragm should be replaced. To ensure proper diaphragm operation, always fill the reservoir as needed whenever the cover is loosened or removed. Do not overfill.



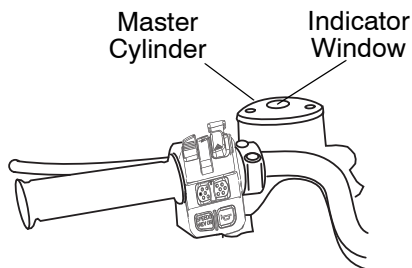
Never store or use a partial bottle of brake fluid. Brake fluid is hygroscopic, meaning it rapidly absorbs moisture from the air. The moisture causes the boiling temperature of the brake fluid to drop, which can lead to early brake fade and the possibility of accident or severe injury. After opening a bottle of brake fluid, always discard any unused portion.

# MAINTENANCE

## Brake Fluid

### Hand Brake

The master cylinder is located on the left handlebar. Maintain the fluid level 6 mm below the top edge of the master cylinder. Do not overfill.



- 
1. Position the vehicle on a level surface. Make sure the handlebars are straight.
  2. View the fluid level through the indicator window (eye) on the top of the master cylinder. The eye will appear dark when the fluid level is full. When fluid is low, the eye will be clear.
  3. Add the recommended fluid as needed. Do not overfill.
- 

### Foot Brake

1. Position the vehicle on a level surface.
2. The brake fluid reservoir is located either under the seat or near the foot brake. View the fluid level in the master cylinder.
3. Maintain the fluid level between the minimum and maximum marks. Do not overfill.

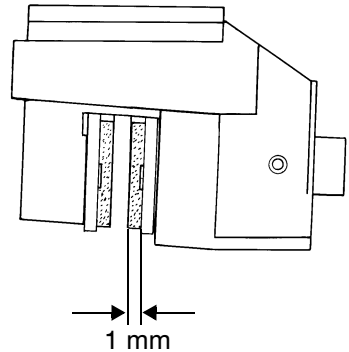
## Brakes

The front and rear brakes are hydraulic disc brakes. Both brake systems are self-adjusting.

### Brake Inspections

Perform the following checks to keep the brake systems in good operating condition. Check more often if brakes are used heavily under normal operation.

1. Always keep brake fluid at an adequate level. See page 59.
2. Check the brake systems regularly for fluid leaks.
3. Check the brakes for excessive travel or spongy feel.
4. Check the friction pads for wear, damage and looseness. Replace the pads when the friction material is worn to 1 mm.
5. Check the security and surface condition of the disc.



## Side Panel Removal

**Tip:** Side panel removal may be difficult until the locking tabs and receivers have been snapped and unsnapped a few times.

1. Remove the seat.
2. Remove the push-pins at the front and rear of the side panel.
3. Grasp the rear of the side panel near the rear cab. Pull the panel slightly outward, downward and rearward to disengage the upper front section.
4. To reinstall the side panel, align the upper and lower front section with the mating front cab tabs. Push the panel upward and forward until the panel is fully seated at the front. Lock the rear of the panel into the rear front cab tabs. Reinstall the push-pins at the front and rear of the side panel.



# MAINTENANCE

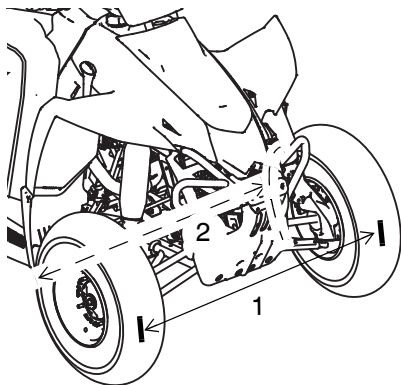
## Toe Alignment



Do not attempt to adjust tie rod alignment. All tie rod adjustments should be performed by an authorized Polaris dealer.

Use the following procedure to check the toe alignment of the vehicle. The recommended toe alignment is 3-6 mm toe out.

1. Position the vehicle on a level surface.
2. Set the handlebars in a straight-ahead position and secure them in this position.
3. Place a chalk mark on the center line of the front tires approximately 10" (25.4 cm) from the floor, or as close to the hub/axle center line as possible. Make sure both marks are the same distance from the floor.
4. Measure the distance between the marks and record the measurement (1).
5. Move the vehicle until the chalk marks are at the rear of the tires, even with the hub/axle center line.
6. Measure the distance between the marks and record the measurement (2).
7. Subtract measurement 2 from measurement 1. The difference is the vehicle toe-out alignment.
8. If you discover improper alignment, see your Polaris dealer for service.



## Steering Assembly

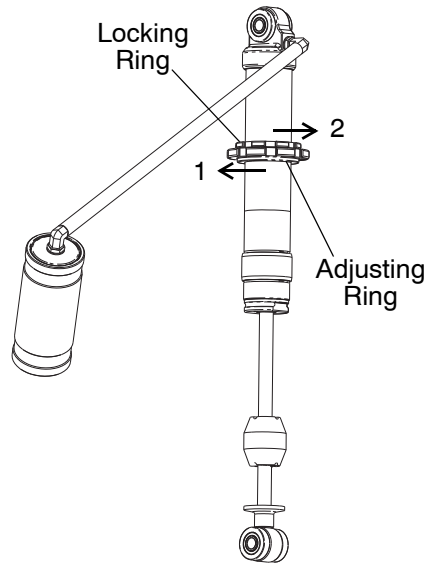
Check the steering assembly of the vehicle periodically for loose nuts and bolts. If loose nuts and bolts are found, see your Polaris dealer for service before operating the vehicle.

## Rear Suspension

The rear suspension spring preload and shock compression damping may be adjusted to suit different riding conditions and operator weight.

### Spring Preload

1. Raise and safely support the rear of the vehicle off the ground to allow the suspension to fully extend.
2. Loosen the jam nut and back it away from the adjusting ring.
3. As viewed from the top of the shock, turn the adjusting ring clockwise (1) to increase preload. Turn the ring counter-clockwise (2) to decrease preload.
4. Tighten the jam nut firmly against the adjuster ring.

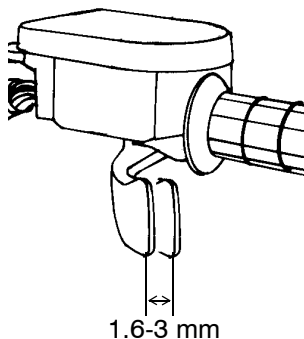


# MAINTENANCE

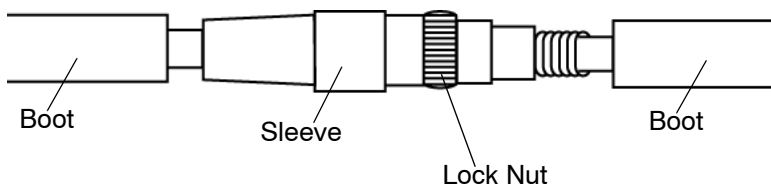
## Throttle Cable Freeplay

Adjust throttle cable freeplay at the handlebar.

1. Slide the boots off the inline cable adjuster sleeve. Loosen the adjuster locknut.
2. Turn the adjuster until 1.5-3 mm of freeplay is achieved at the thumb lever. Move the throttle lever back and forth several times while adjusting.
3. Tighten the lock nut and slide the boots over the cable adjuster until they touch at the midpoint of the adjuster.



**Tip:** Engine RPM should not increase when steering is turned full left or right. Readjust cable freeplay if this occurs.



## Tires

### **⚠ WARNING**

Operating your vehicle with worn tires, improperly inflated tires, non-standard tires or improperly installed tires will affect vehicle handling and could cause an accident.

- Maintain proper tire pressure as described on the label on your vehicle and in the specifications section of the owner's manual.
- Use only original equipment size and type when replacing tires.
- Make sure the wheels are installed properly.
- Replace tires when the tread depth measures 3 mm or less.

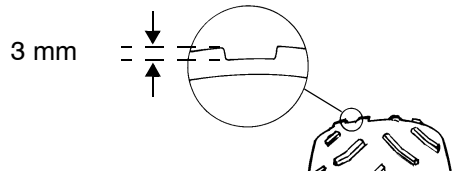
Refer to the specifications section beginning on page 104 for recommended tire type, size and pressure.

### **Front Wheel Hub Tightening**

Front wheel bearing tightness and spindle nut retention are critical component operations. All service must be performed by your authorized Polaris dealer.

### **Tire Tread Depth**

Always replace tires when tread depth is worn to 3 mm or less.



# MAINTENANCE

## Tires

### Wheel Removal

1. Position the vehicle on a level surface. Place the transmission in gear. Lock the parking brake.
2. Loosen the wheel nuts slightly.



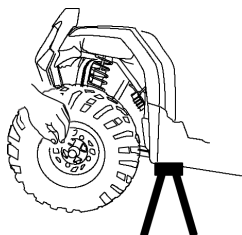
Do not service axle nuts that have a cotter pin installed. See your Polaris dealer.

3. Place a suitable stand under the footrest frame to raise the wheel slightly off the ground.
4. Remove the wheel nuts.
5. Remove the wheel.



### Wheel Installation

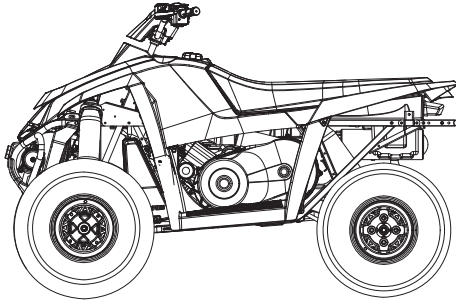
1. Place the wheel on the wheel hub with the valve stem toward the outside and the rotation arrows on the tire pointing toward forward rotation.
2. Install the wheel nuts finger tight. On vehicles with tapered rear wheel nuts, make sure the tapered ends of the nuts fit into the tapers on the wheels.
3. Lower the vehicle to the ground.
4. Torque the wheel nuts to specification (page 67).



Loose nuts could cause a tire to come off during operation, which could result in an accident or overturn. Always ensure that all nuts are torqued to specification.

## Tires

### Wheel Nut Torque Specifications



27 ft. lbs. (37 Nm)

50 ft. lbs. (68 Nm)

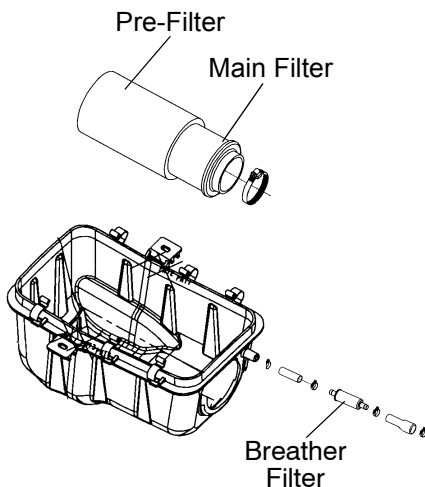
Check the wheel nut torques occasionally and when they've been loosened for service.

<b>Item</b>	<b>Torque Specification</b>
Front Wheel Nuts	27 ft. lbs. (37 Nm)
Rear Wheel Nuts	50 ft. lbs. (68 Nm)

# MAINTENANCE

## Air Filter

1. Remove the seat.
2. Release the air box cover clips, and remove the air box cover.
3. Loosen the clamp and remove the filter.
4. Remove the fabric type pre-filter from the main filter. Wash the pre-filter in soapy water, then rinse and let dry.
5. Reinstall the pre-filter over the main filter. Install a new main filter if needed.
6. Reinstall the filter into the air box and tighten the clamp. Do not over-tighten the clamp, as filter damage could occur.
7. Reinstall the air box cover and the seat.



## Breather Filter

The breather filter is on the hose that runs between the engine and air box.

1. Remove the clamps and pull the breather filter out of the hoses. It's not necessary to remove the lower hose from the engine.
2. Inspect the filter for debris. Blow gently through the filter in the direction of the arrow to check for clogging. Replace if needed.
3. Check the hoses for cracks, deterioration, abrasion, or leaks. Replace as needed.
4. Reinstall the filter and secure the clamps. The filter is effective with the arrow pointing in either direction.



Operation of your vehicle without a breather filter can cause engine damage. Always reinstall the breather filter after removing it for service.

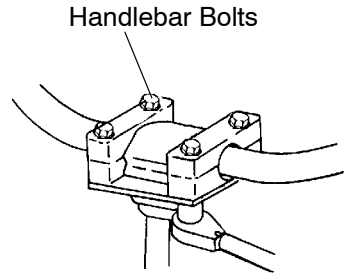
## Handlebars

The handlebars can be adjusted for rider preference.



Improper adjustment of the handlebars or incorrect torquing of the adjuster block tightening bolts can cause limited steering or loosening of the handlebars, resulting in loss of control. Follow the adjustment procedures exactly, or see your Polaris dealer for service.

1. Remove the handlebar cover to access the handlebar bolts.
2. Loosen the four handlebar bolts.
3. Adjust the handlebar to the desired height.
4. Be sure the handlebars do not contact the gas tank or any other part of the machine when turned fully to the left or right.
5. Torque the front two bolts to 14-17 Nm, then torque the rear two bolts. A gap of up to 3 mm will remain at the rear bolts.





# MAINTENANCE

## Carburetor

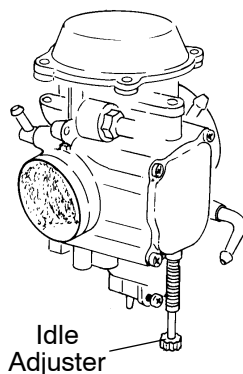
Your Polaris vehicle is calibrated at the factory for optimal performance at altitudes ranging from zero to 1800 meters and at temperatures of 4 degrees C. or higher. Above 1800 meters the engine air/fuel mixture becomes too rich and the engine loses approximately 3% of its power for each 300 meter increase in elevation. Although this power cannot be regained, adjustments to the carburetor and drive system can be made to allow more efficient operation. Optional jets and clutch components, available from your Polaris dealer, are required for operation above 1800 meters and at temperatures below 4 degrees C.

**Tip:** Continuous operation of the engine without proper jetting when required can cause poor performance, overheating or PVT or engine damage. See your Polaris dealer for more information about jetting the vehicle for conditions in your area.

## Carburetor/Engine Idle RPM Adjustment

If the engine idle speed is not satisfactory, and all other conditions are favorable, the carburetor can be adjusted.

1. Place the transmission in gear. Lock the parking brake.
2. Start the engine and allow it to warm up for approximately five minutes.
3. Turn the screw in (clockwise) to raise RPM. Turn the screw out (counterclockwise) to lower RPM.



## Drive Chain

### Drive Chain Lubrication

The drive chains are equipped with o-ring-sealed, permanently greased pins and rollers. However, the outer surfaces of the roller must be lubricated.

Always inspect the drive chain prior to operating the vehicle. Check for damaged or missing o-rings or damaged rollers. Also check for correct slack adjustment. Maintain the stone guard to rear sprocket clearance at 1/8" (3 mm).

Regularly lubricate the drive chain with Polaris Chain Lube, an SAE 80-90 lube or an approved o-ring chain spray lube. See page 99 for the part numbers of Polaris products.



Washing the drive chain with a high pressure washer or gasoline can cause damage to the o-rings, causing premature wear and drive chain failure. Do not use a high pressure washer or gasoline to clean the drive chain.

# MAINTENANCE

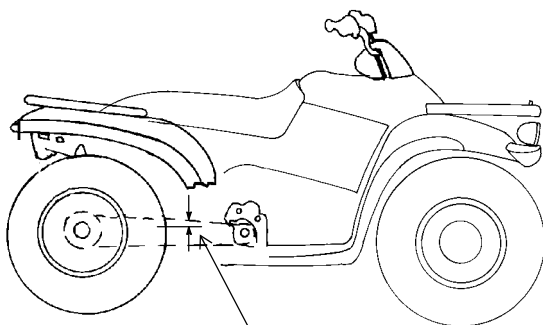
## Drive Chain

### Rear Drive Chain Slack

Check the amount of chain slack in three different locations by moving the vehicle slightly forward to gain slack at the top side of the rear chain. Measure the chain slack at the tightest of the three positions. At this point the chain should have 3/16"-3/8" (5 mm - 10 mm) deflection.



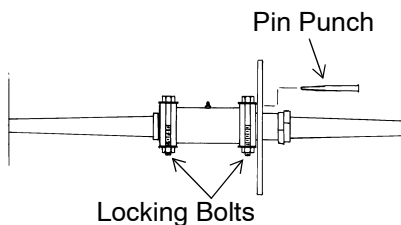
Adjusting or operating the vehicle with improper rear drive chain slack can result in severe damage to the transmission and drive components. Always make sure the slack is within the stated specifications.



3/16"-3/8" (5 mm - 10 mm)

Use the following procedure if adjustment is required.

1. Remove the chain guard.
2. Loosen the chain guide.
3. Loosen the two eccentric locking bolts.
4. Loosen the caliper mounting bolt located on the left side of the swing arm.
5. Insert a pin punch through the sprocket hub and into the eccentric housing.



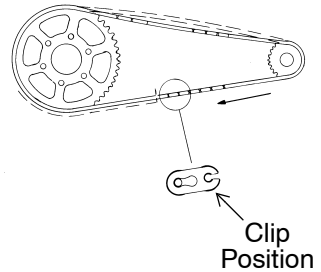
## Drive Chain

### Rear Drive Chain Slack

6. Roll the vehicle forward or backward to adjust the chain slack to the proper tension. See the illustration for proper splice link clip opening position.
7. Tighten the eccentric locking bolts to 30 ft. lbs. (41 Nm) for machines without the hitch and 45 ft. lbs. (61 Nm) for machines with a hitch.
8. Tighten the caliper mount bolt to 15 ft. lbs. (20 Nm).
9. Remove the pin punch.
10. Roll the vehicle forward, checking chain tension in several places around the chain.

**Tip:** The chain is adjusted correctly when the tightest portion of the chain has approximately 3/8" (10mm) deflection.

11. Position the chain guide to allow 1/8" (3 mm) clearance and tighten the retaining bolt to 5 ft. lbs. (7 Nm).
12. Reinstall the chain guard.



# MAINTENANCE

## Cooling System

The engine coolant level is controlled, or maintained, by the recovery system. The recovery system components are the recovery bottle, the radiator filler neck, the radiator pressure cap and the connecting hose.

As coolant operating temperature increases, the expanding (heated) excess coolant is forced out of the radiator, past the pressure cap, and into the recovery bottle. As engine coolant temperature decreases, the contracting (cooled) coolant is drawn back up from the bottle, past the pressure cap, and into the radiator.

Some coolant level drop on new vehicles is normal as the system is purging itself of trapped air. Check the coolant level and maintain as recommended by adding coolant to the recovery bottle.

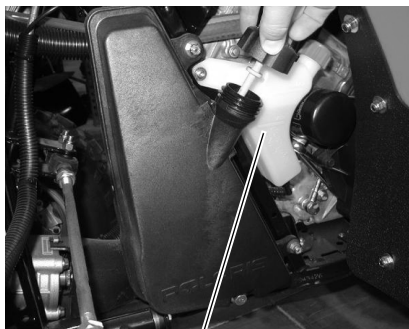
Polaris recommends the use of Polaris Premium 60/40 anti-freeze/coolant or a 50/50 mixture of high quality aluminum compatible anti-freeze/coolant and distilled water. Polaris Premium 60/40 is already premixed and ready to use. Do not dilute with water. See page 99 for the part numbers of Polaris products.

Always follow the manufacturer's mixing recommendations for the freeze protection required in your area.

### Recovery Bottle Coolant

The recovery bottle is located on the left side of the vehicle.

1. Maintain the coolant level between the minimum and maximum marks on the bottle (when the fluid is cool).
2. Add coolant as needed.



Recovery Bottle

## Cooling System Radiator Coolant

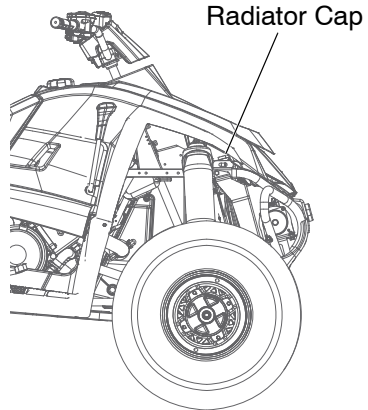
To ensure that the coolant maintains its ability to protect the engine, Polaris recommends that you drain the system completely every two years and add a fresh mixture of antifreeze and water.

Replace the coolant any time the cooling system has been drained for maintenance or repair. If the recovery bottle has run dry, check the level in the radiator. Add coolant as needed.



Escaping steam can cause burns. Never remove the pressure cap while the engine is warm or hot. Always allow the engine to cool before removing the pressure cap.

1. Remove the front panel to access the radiator pressure cap.
2. Remove the pressure cap.
3. If coolant is low, use a funnel and slowly add coolant through the radiator filler neck.
4. Reinstall the pressure cap. Use of a non-standard pressure cap will not allow the recovery system to function properly. Contact your dealer for the correct replacement part.
5. Secure the front panel.
6. Fill the coolant recovery bottle to the upper mark on the bottle.
7. Check the coolant level in the bottle frequently, adding coolant as needed until the level stabilizes.

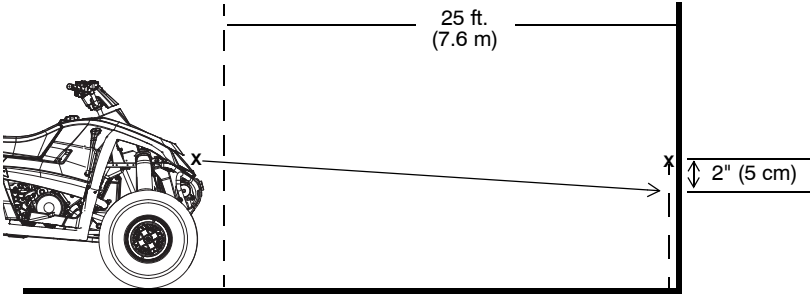


# MAINTENANCE

## Lights

### Headlight Beam Adjustment

The headlight beam can be adjusted slightly upward or downward. Use the following procedure to make the adjustment.



1. Position the vehicle on a level surface with the headlight approximately 25 ft. (7.6 m) from a wall.
2. Place the transmission in neutral.
3. Lock the parking brake.
4. Measure the distance from the floor to the center of the headlight and make a mark on the wall at the same height. Include rider weight on the seat when measuring.
5. Start the engine. Switch the headlight to high beam.
6. Observe the headlight aim on the wall. The most intense part of the headlight beam should be two inches (5 cm) below the mark on the wall.
7. Tighten or loosen the lower headlight screws to adjust the beam upward or downward or to the left or right.

## Lights



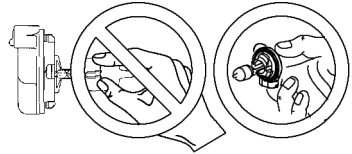
Poor lighting can result in loss of control or an accident. Lights become dirty during normal operation. Wash the headlights and taillights frequently.



Hot components can cause burns to skin. Allow lamps to cool before servicing.

## Headlamp Replacement

When servicing a halogen lamp, do not touch the lamp with bare fingers. Oil from your skin leaves a residue, causing a hot spot that will shorten the life of the lamp. Hold the plastic part of the lamp.



1. Remove the wire harness connector from the back of the headlight.
2. Grasp the bulb housing and turn it counterclockwise to remove the bulb.
3. Apply dielectric grease to the light bulb socket before installing the new bulb. Install the replacement bulb into the headlight housing and rotate clockwise firmly.

**Tip:** The bulb must be positioned so the harness installs into the lamp at the bottom.

4. Reinstall the connector to the back of the headlight.

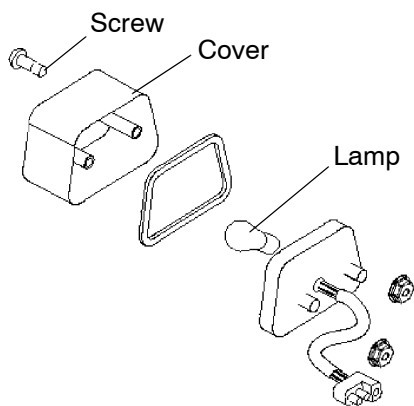


# MAINTENANCE

## Lights

### Taillight/Brakelight Lamp Replacement

1. Remove the taillight lens cover mounting screws. Remove the lens cover and gasket and set aside for reassembly.
2. Remove the lamp.
3. Apply dielectric grease to the socket and install the new lamp.
4. Test the taillight/brake light for proper operation.
5. Reinstall the gasket and lens cover.



### Indicator Lamp Replacement

1. Remove the instrument panel, if necessary, to access the back of the indicator panel.
2. Using a small, straight-blade screwdriver, turn the base of the bulb 1/4 turn counterclockwise.
3. Using a needle-nose pliers or similar tool, pull the lamp out of the indicator panel housing.
4. Insert the new bulb and seat it by turning it 1/4 turn clockwise.
5. Reinstall the instrument panel if removed.

## Spark Plugs

### Spark Plug Recommendations

Refer to the specifications section beginning on page 104 for the recommended spark plug type and gap for your vehicle.

**NOTICE:** Using non-recommended spark plugs can result in serious engine damage. Always use Polaris-recommended spark plugs.

Plug Condition	Torque Specification
New Spark Plug	12-15 Nm
Previously Installed Spark Plug	23-27 Nm

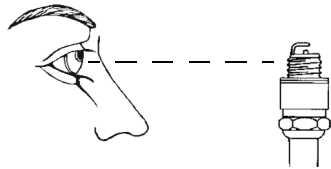
### Spark Plug Inspection

Check the spark plug firing end condition after the engine has been warmed up and the vehicle has been driven at higher speeds. Immediately check the spark plug for correct color. See page 80.



A hot exhaust system and engine can cause burns. Wear protective gloves when removing a spark plug for inspection.

1. Rotate the spark plug cap.
2. Using the special wrench provided in the tool pouch, rotate the spark plug counterclockwise to remove it.
3. Inspect the electrodes for wear and carbon buildup. Replace worn or fouled plugs. Verify that the gap is at specification before installation.
4. Reverse the procedure for spark plug installation. Torque to specification.



# **MAINTENANCE**

## **Spark Plugs**

### **Spark Plug Condition**

#### **Normal Spark Plug**

The normal insulator tip is gray, tan or light brown. There will be few combustion deposits. The electrodes are not burned or eroded. This indicates the proper type and heat range for the engine and the service.

The tip should not be flaky and white. A white insulator tip indicates overheating, caused by use of an improper spark plug or incorrect carburetion adjustments.

#### **Wet Fouled Spark Plug**

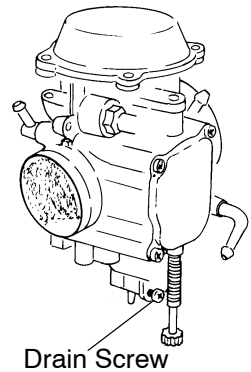
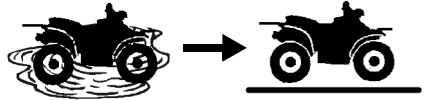
The wet fouled insulator tip is black. A damp oil film covers the firing end. There may be a carbon layer over the entire nose. Generally, the electrodes are not worn. General causes of fouling are excessive oil, use of non-recommended oil, improper use of the choke, or incorrect throttle body/carburetor adjustments.

## Vehicle Immersion

If your vehicle becomes immersed, major engine damage can result if the machine is not thoroughly inspected. Take the vehicle to your dealer before starting the engine.

If it's impossible to take your vehicle to a dealer before starting it, follow the steps outlined below.

1. Move the vehicle out of the water.
2. Turn the fuel valve off.
3. Check the air box. If water is present, dry the air box and replace the filter with a new filter.
4. Remove the spark plug.
5. Loosen the carburetor drain screw and drain the carburetor.
6. Turn the engine over several times using the electric start.
7. Dry the spark plug. Reinstall the plug or install a new plug.
8. Tighten the carburetor drain screw.
9. Turn the fuel valve on.
10. Attempt to start the engine. If necessary, repeat the drying procedure.
11. Have the vehicle serviced by your dealer promptly, whether you succeed in starting it or not.
12. If water has been ingested into the transmission, follow the procedure on page 85 for drying.



Drain Screw

# MAINTENANCE

## Spark Arrestor

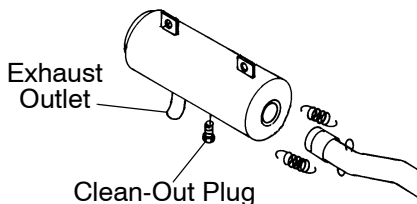
### **⚠ WARNING**

Failure to heed the following warnings while servicing the spark arrestor could result in serious injury or death. Never run the engine in an enclosed area. Remove any combustible materials from the area. Wear eye protection and leather work gloves. Do not stand behind or in front of the vehicle while purging. Never go under the vehicle while it's inclined.

The exhaust system can get extremely hot. Do not perform service on the spark arrestor while the system is hot. Allow components to cool sufficiently before proceeding.

Use the following procedure to periodically purge accumulated carbon from the exhaust pipe/muffler.

1. Position the vehicle on a level surface.
2. Place the transmission in neutral.
3. Lock the parking brake.
4. Remove the arrestor clean-out plug from the bottom of the muffler.
5. Start the engine.
6. Quickly squeeze and release the throttle lever several times to purge carbon from the system.
7. If carbon comes out of the exhaust, cover or plug the exhaust outlet. Wear protective gloves.
8. Lightly tap on the exhaust pipe with a rubber mallet while repeating step 6.
9. If particles are still suspected to be in the muffler, elevate the rear of the vehicle one foot (30 cm) higher than the front. Block the wheels.
10. Repeat steps 6 to 8 until no more particles are expelled.
11. Stop the engine. Allow the arrestor to cool.
12. Reinstall the arrestor plug and remove the exhaust outlet cover or plug.



## PVT System

### **⚠ WARNING**

Failure to comply with the instructions in this warning can result in severe injury or death.

Do not modify any component of the PVT system. Doing so may reduce its strength so that a failure may occur at a high speed. The PVT system has been precision balanced. Any modification will cause the system to be out of balance, creating vibration and additional loads on components.

The PVT system rotates at high speeds, creating large amounts of force on clutch components. Extensive engineering and testing has been conducted to ensure the safety of this product. However, as the owner, you have the following responsibilities to make sure this system remains safe:

- Always follow all recommended maintenance procedures. See your dealer as outlined in the owner's manual.
- This PVT system is intended for use on Polaris products only. Do not install it in any other product.
- Always make sure the PVT housing is securely in place during operation.

# MAINTENANCE

## PVT System

The basic operation of the Polaris PVT system is dependent on engine speed and vehicle torque requirements. As engine speed increases, the force exerted on the movable drive sheave by the flyweights also increases. This, in turn, increases the amount of pinch applied to the drive belt. Similarly, if the engine speed decreases, the amount of centrifugal force decreases, reducing the amount of belt pinch. This begins to occur at speeds of less than 5 MPH (8 km/h), due to the system's dependence on engine speed.

For example, when operating at a ground speed of 3 MPH (5 km/h), the engine would be running at only about 1500 RPM, with an engagement speed of about 1400 RPM. Whenever operating this close to the engagement speed, the engine may be running at a speed too low to provide the pinch needed to prevent belt slip. Belt slip is responsible for creating the excessive heat that destroys belts, wears clutch components and causes outer clutch covers to fail.

If the vehicle will be operated for extended periods below 5 MPH (8 km/h), or for towing loads, we recommend that you install a one tooth smaller counter shaft sprocket to raise the operating RPM far enough above the engagement RPM to reduce heat caused by incomplete engagement. Reducing the temperature inside the clutch cover greatly extends the life of the PVT components (belt, cover, etc.).

**Tip:** Avoid heavy pulling and extended low-speed operation.

## PVT System

### PVT Drying

There may be some instances when water is accidentally ingested into the PVT system. Use the following instructions to dry it out before operating.

1. Move the vehicle out of the water.
2. Remove the PVT drain plug. Allow the water to drain completely. Reinstall the drain plug.
3. Start the engine. Place the transmission in neutral.
4. Apply varying throttle for 10-15 seconds to expel the moisture and air-dry the belt and clutches. *Do not hold the throttle wide open for more than 10 seconds.*
5. Allow the engine RPM to settle to idle speed, then shift the transmission into forward gear.
6. Test for belt slippage. If the belt slips, repeat the process.
7. Take the vehicle to your dealer for service as soon as possible.



# MAINTENANCE

## Battery

### **⚠ WARNING**

Improperly connecting or disconnecting battery cables can result in an explosion and cause serious injury or death. When removing the battery, always disconnect the negative (black) cable first. When reinstalling the battery, always connect the negative (black) cable last.

### **⚠ WARNING**

Battery electrolyte is poisonous. It contains sulfuric acid. Serious burns can result from contact with skin, eyes or clothing.

Antidote:

**External:** Flush with water.

**Internal:** Drink large quantities of water or milk. Follow with milk of magnesia, beaten egg, or vegetable oil. Call physician immediately.

**Eyes:** Flush with water for 15 minutes and get prompt medical attention.

Batteries produce explosive gases. Keep sparks, flame, cigarettes, etc. away. Ventilate when charging or using in an enclosed space. Always shield eyes when working near batteries. **KEEP OUT OF REACH OF CHILDREN.**

Your vehicle may have either a sealed battery, which requires little maintenance, or a conventional battery. A sealed battery can be identified by its flat covers on the top of the battery. A conventional battery has six filler caps on the top of the battery.

Always keep battery terminals and connections free of corrosion. If cleaning is necessary, remove corrosion with a stiff wire brush. Wash with a solution of one tablespoon baking soda and one cup water. Rinse well with tap water and dry off with clean shop towels. Coat the terminals with dielectric grease or petroleum jelly. Be careful not to allow cleaning solution or tap water into a conventional battery.

## Battery

### Battery Removal

1. Place the transmission in gear.
2. Lock the parking brake.
3. Remove the seat.
4. Disconnect the battery hold-down strap.
5. Remove the battery cover (if equipped).
6. On conventional batteries, remove the battery vent tube.
7. Disconnect the black (negative) battery cable first.
8. Disconnect the red (positive) battery cable last.
9. Lift the battery out of the vehicle. Be careful not to tip a conventional battery sideways, which could spill electrolyte.

**NOTICE:** If electrolyte spills, immediately wash it off with a solution of one tablespoon baking soda and one cup water to prevent damage to the vehicle.

# MAINTENANCE

## Battery

### Battery Installation

Using a new battery that has not been fully charged can damage the battery and result in a shorter life. It can also hinder vehicle performance. Follow the battery charging instructions on page 90 before installing the battery.

1. Ensure that the battery is fully charged.
2. Place the battery in the battery holder.
3. With conventional batteries, install the battery vent tube (sealed batteries do not have a vent tube). The vent tube must be free of obstructions and securely installed. Route the tube away from the frame and vehicle body to prevent contact with electrolyte.



Battery gases could accumulate in an improperly installed vent tube and cause an explosion, resulting in serious injury or death. Always ensure that the vent tube is free of obstructions and is securely installed as recommended.

4. On conventional batteries, coat the terminals with dielectric grease or petroleum jelly.
5. Connect and tighten the red (positive) cable first.
6. Connect and tighten the black (negative) cable last.
7. Install the battery cover (if equipped).
8. Secure the battery hold-down strap.
9. Verify that cables are properly routed. Cables should be safely tucked away at the front and rear of the battery.
10. Reinstall the seat.

## Battery

### Battery Storage

Whenever the vehicle is not used for a period of three months or more, remove the battery from the vehicle, ensure that it's fully charged, and store it out of the sun in a cool, dry place. Check battery voltage each month during storage and recharge as needed to maintain a full charge.

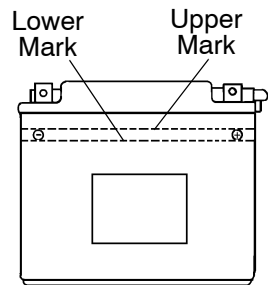
**Tip:** Power plug leads may need to be bent down so that the battery cover can be installed.

Polaris recommends maintaining battery charge by using a Polaris Battery Tender charger or by charging about once a month to make up for normal self-discharge. Battery Tender can be left connected during the storage period, and will automatically charge the battery if the voltage drops below a pre-determined point. See page 99 for the part numbers of Polaris products.

### Battery Fluid (Conventional Battery)

A poorly maintained battery will deteriorate rapidly. Check the battery fluid level often. Maintain the fluid level between the upper and lower level marks.

Add only distilled water. Tap water contains minerals that are harmful to a battery.



# MAINTENANCE

## Battery

### Battery Charging (Conventional Battery)

1. Remove the battery from the vehicle to prevent damage from leaking or spilled electrolyte during charging. See page 87.
2. Charge the battery with a charging output no larger than 1/10 of the battery's amp/hr rating. Charge as needed to raise the specific gravity to 1.270 or greater.
3. Reinstall the battery. See page 88. Make sure the positive terminal is toward the front of the vehicle.

### Battery Charging (Sealed Battery)

The following battery charging instructions apply only to the installation of a sealed battery. Read all instructions before proceeding with the installation of this battery.

The sealed battery is already filled with electrolyte and has been sealed and *fully charged* at the factory. *Never* pry the sealing strip off or add any other fluid to this battery.

The single most important thing about maintaining a sealed battery is to keep it fully charged. Since the battery is sealed and the sealing strip cannot be removed, you must use a voltmeter or multimeter to measure DC voltage.



An overheated battery may explode, causing severe injury or death. Always watch charging times carefully. Stop charging if the battery becomes very warm to the touch. Allow it to cool before resuming charging.

For a refresh charge, follow all instructions carefully.

1. Check the battery voltage with a voltmeter or multimeter. A fully charged battery will register 12.8 V or higher.
2. If the voltage is less than 12.8 volts, recharge the battery at 1.2 amps or less until battery voltage is 12.8 or greater.
3. When using an automatic charger, refer to the charger manufacturer's instructions for recharging. When using a constant current charger, use the following guidelines for recharging.

## Battery

### Battery Charging (Sealed Battery)

Always verify battery condition before and 1-2 hours after the end of charging.

<b>State of Charge</b>	<b>Voltage</b>	<b>Action</b>	<b>Charge Time</b> (Using constant current charger @ standard amps specified on top of battery)
100%	12.8-13.0 volts	None, check at 3 mos. from date of manufacture	None required
75%-100%	12.5-12.8 volts	May need slight charge, if no charge given, check in 3 months	3-6 hours
50%-75%	12.0-12.5 volts	Needs charge	5-11 hours
25%-50%	11.5-12.0 volts	Needs charge	At least 13 hours, verify state of charge
0%-25%	11.5 volts or less	Needs charge with desulfating charger	At least 20 hours

# MAINTENANCE

## Cleaning and Storage

### Washing the Vehicle

Keeping your Polaris vehicle clean will not only improve its appearance but it can also extend the life of various components.

**NOTICE:** High water pressure may damage components. Polaris recommends washing the vehicle by hand or with a garden hose, using mild soap.

Certain products, including insect repellents and chemicals, will damage plastic surfaces. Do not allow these types of products to contact the vehicle.

The best and safest way to clean your Polaris vehicle is with a garden hose and a pail of mild soap and water.

1. Use a professional-type washing cloth, cleaning the upper body first and the lower parts last.
2. Rinse with clean water frequently.
3. Dry surfaces with a chamois to prevent water spots.

### Washing Tips

- Avoid the use of harsh cleaners, which can scratch the finish.
- Do not use a power washer to clean the vehicle.
- Do not use medium to heavy duty compounds on the finish.
- Always use clean cloths and pads for cleaning and polishing. Old or reused cloths and pads may contain dirt particles that will scratch the finish.

## Cleaning and Storage

### Washing the Vehicle

If a high pressure water system is used for cleaning (not recommended), exercise extreme caution. The water may damage components and could remove paint and decals. Avoid directing the water stream at the following items:

- Wheel bearings
- Radiator
- Transmission seals
- Brakes
- Electrical components/wiring
- Switches and controls
- Cab and body panels
- Labels and decals

If an informational or graphic label becomes illegible or comes off, contact your Polaris dealer to purchase a replacement. Replacement *safety* labels are provided by Polaris at no charge.

Grease all zerk fittings immediately after washing. Allow the engine to run for a while to evaporate any water that may have entered the engine or exhaust system.

### Polishing the Vehicle

Polaris recommends the use of common household aerosol furniture polish for polishing the finish on your Polaris vehicle. Follow the instructions on the container.

#### Polishing Tips

- Avoid the use of automotive products, some of which can scratch the finish of your vehicle.
- Always use clean cloths and pads for cleaning and polishing. Old or reused cloths and pads may contain dirt particles that will scratch the finish.



# MAINTENANCE

## Cleaning and Storage

### Chrome Wheel Care (if equipped)

Proper maintenance will protect chrome wheels from corrosion, preserve wheel life and ensure a “like new” appearance for many years. Chrome wheels exposed to road salt (or salt in the air in coastal areas) are more susceptible to corrosion if not properly cleaned. Clean chrome wheels more often if they're exposed to salt or other corrosive elements.

1. Wash chrome wheels frequently. Use a mild detergent. Never use abrasive cleaners on plated or painted surfaces.
2. Rinse well with clear water. Soap, detergents, salt, dirt, mud and other elements can cause corrosion.
3. Polish the clean chrome wheels periodically. Use an automotive grade chrome polish.
4. Routinely and liberally apply a weather resistant wax to each polished chrome wheel. Choose a product suitable for chrome finishes. Read and follow the product labels and instructions.

### Removing Corrosion

If light rust is found on the chrome finish, use steel wool (#0000-OTT grade) to remove it. Gently rub the affected areas with the steel wool until the corrosion has been removed. Clean and polish the wheel as outlined above.

## Cleaning and Storage

### Storage Tips

**NOTICE:** Starting the engine during the storage period will disturb the protective film created by fogging and damage could occur. Never start the engine during the storage period.

### Clean the Exterior

Make any necessary repairs and clean the vehicle as recommended. See page 92.

### Stabilize the Fuel

1. Fill the fuel tank.
2. Add Polaris Carbon Clean Fuel Treatment or Polaris Fuel Stabilizer. Follow the instructions on the container for the recommended amount. Carbon Clean removes water from fuel systems, stabilizes fuel and removes carbon deposits from pistons, rings, valves and exhaust systems.
3. Allow the engine to run for 15-20 minutes to allow the stabilizer to disperse through the fuel in the tank and carburetor.
4. Turn the fuel valve off.
5. Drain the carburetor bowl.

### Oil and Filter

Change the oil and filter. See page 53.

### Air Filter / Air Box

1. Inspect and clean (or replace) the pre-cleaner and air filter.
2. Clean the air box.
3. Clean or replace the breather filter.
4. Drain the sediment tube.

# MAINTENANCE

## Cleaning and Storage

### Storage Tips

#### Fluid Levels

Inspect the fluid levels. Change fluids as recommended in the Periodic Maintenance Chart beginning on page 47.

- Demand drive unit (front gearcase)
- Transmission
- Brake fluid (change every two years and any time the fluid looks dark or contaminated)
- Coolant (test strength/fill)

#### Fog the Engine

1. Treat the fuel system with Polaris Carbon Clean. See page 95.
2. Support the front end of the machine so the engine is level or tilted slightly rearward.
3. Remove the spark plug. Pour 2-3 tablespoons (30-40 ml) of engine oil into the hole.

**Tip:** Use a section of small hose and a small plastic squeeze bottle filled with the pre-measured amount of oil.

4. Reinstall the spark plug. Torque to specification.
5. Apply dielectric grease to the inside of the spark plug cap. Reinstall the cap.
6. Turn the engine over several times using the electric start. Oil will be forced in and around the piston rings and ring lands, coating the cylinder with a protective film of fresh oil.
7. If Polaris fuel system additive is not used, the fuel tank, fuel lines, and carburetor should be completely drained of gasoline.
8. To eliminate any fuel remaining in the carburetor, run the engine until it stops.

## **Cleaning and Storage**

### **Storage Tips**

#### **Inspect and Lubricate**

Inspect all cables and lubricate all areas of the vehicle as recommended in the Periodic Maintenance Chart beginning on page 47.

#### **Battery Storage**

See pages 89-90 for storage and charging procedures.

#### **Storage Area/Covers**

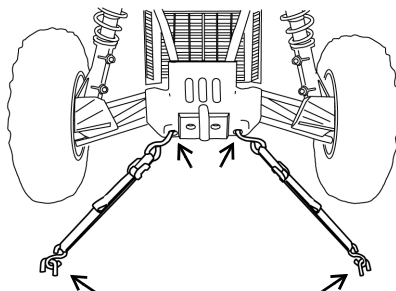
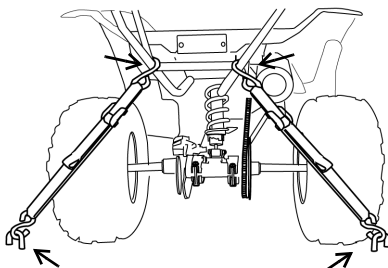
Set the tire pressure and safely support the vehicle with the tires slightly off the ground. Be sure the storage area is well ventilated. Cover the vehicle with a genuine Polaris cover. Do not use plastic or coated materials. They do not allow enough ventilation to prevent condensation, and may promote corrosion and oxidation.

# MAINTENANCE

## Transporting the Vehicle

Follow these procedures when transporting the vehicle.

1. Stop the engine.
2. Place the transmission in gear.
3. Lock the parking brake.
4. Turn the fuel valve off.
5. Secure the fuel cap, oil cap and seat.
6. Remove the key to prevent loss during transporting.
7. Always tie the frame of the vehicle to the transporting unit securely with suitable straps or rope. Do not attach tie straps to the front A-arm bolt pockets, racks or handlebars.



# POLARIS PRODUCTS

<b>Part Number</b>	<b>Description</b>
<b>Engine Lubricant</b>	
2870791	Fogging Oil (12 oz. Aerosol)
2876244	PS-4 PLUS Performance Synthetic 2W-50 4-Cycle Oil (qt./95 l)
2876245	PS-4 PLUS Performance Synthetic 2W-50 4-Cycle Oil (gal./3.8 l)
<b>Gearcase / Transmission Lubricants</b>	
2873602	Premium AGL Synthetic Gearcase Lubricant (qt./95 l)
2873603	Premium AGL Synthetic Gearcase Lube (gal./3.8 l)
2871653	Premium ATV Angle Drive Fluid (8 oz./237 ml)
2872276	Premium ATV Angle Drive Fluid (2.5 gal./9.5 l)
2870465	Pump for Gallon (3.8 l) Jug
2876251	Demand Drive LT Premium Fluid (8 oz./237 ml)
<b>Coolant</b>	
2871323	60/40 Coolant (gal./3.8 l)
2871534	60/40 Coolant (qt./95 l)
<b>Grease / Specialized Lubricants</b>	
2871312	Grease Gun Kit, Premium All Season
2871322	Premium All Season Grease (3 oz./89 ml cartridge)
2871423	Premium All Season Grease (14 oz./414 ml cartridge)
2871460	Starter Drive Grease
2871515	Premium U-Joint Lube (3 oz./89 ml cartridge)
2871551	Premium U-Joint Lube (14 oz./414 ml cartridge)
2871329	Dielectric Grease (Nyogel™)
2872073	Chain Lube, Aerosol (6.25 oz./185 ml)
2872348	Chain Lube, Aerosol (16 oz./473 ml)
<b>Additives / Miscellaneous</b>	
2871326	Carbon Clean Plus
2870652	Fuel Stabilizer
2872189	DOT 4 Brake Fluid
2871956	Loctite™ 565 Thread Sealant
2859044	Polaris Battery Tender™ Charger

# TROUBLESHOOTING

## Drive Belt Wear/Burn

Possible Cause	Solution
Starting out going up a steep incline	Use low range (if equipped) or turn around using the K-turn (see page 39).
Driving at low RPM or ground speed (3-7 MPH)	Drive at a higher speed or use low range (if equipped) more frequently.
Insufficient warm-up at low ambient temperatures	Warm the engine at least 5 minutes. With the transmission in neutral, advance the throttle to about 1/8 throttle in short bursts, 5 to 7 times. The belt will become more flexible and prevent belt burning.
Slow/easy clutch engagement	Use the throttle quickly and effectively.
Towing/pushing at low RPM/low ground speed	Use low range only (if equipped).
Utility use/plowing	Use low range only (if equipped).
Stuck in mud or snow	Shift the transmission to low range (if equipped). Carefully use fast, aggressive throttle application to engage clutch. <b>WARNING!</b> Excessive throttle may cause loss of control and vehicle overturn.
Climbing over large objects from a stopped position	
Belt slippage from water or snow ingestion into the PVT system	Dry out the PVT. See page 85. Inspect clutch seals for damage if repeated leaking occurs.
Clutch malfunction	See your Polaris dealer.
Poor engine performance	Check for fouled plugs or foreign material in gas tank, fuel lines or carburetor. See your dealer.
Slippage from failure to warm up belt	Always warm up the belt by operating below 30 mph (48 km/h) for one mile (1.6 km). Operate 5 miles (8 km) or more when temperature is below freezing.
Wrong or missing belt	Install the recommended belt.
Improper break-in	Always break in a new belt and/or clutch. See page 29.

# TROUBLESHOOTING

## Engine Doesn't Turn Over

Possible Cause	Solution
Tripped circuit breaker	Reset the breaker
Low battery voltage	Recharge the battery to 12.8 VDC
Loose battery connections	Check all connections and tighten
Loose solenoid connections	Check all connections and tighten

## Engine Turns Over, Fails to Start

Possible Cause	Solution
Out of fuel	Turn fuel valve to reserve, refuel
Clogged fuel valve or filter	Inspect and clean or replace
Water is present in fuel	Drain the fuel system and refuel
Fuel valve is turned off	Turn the fuel valve on
Old or non-recommended fuel	Replace with fresh recommended fuel
Fouled or defective spark plug(s)	Inspect plugs and replace if necessary
No spark to spark plug	Inspect plugs, verify stop switch is up
Overuse of choke	Inspect, clean and/or replace spark plugs
Clogged fuel filter	Replace the filter
Water or fuel in crankcase	Immediately see your Polaris dealer
Low battery voltage	Recharge the battery to 12.8 VDC
Mechanical failure	See your dealer

## Engine Backfires

Possible Cause	Solution
Weak spark from spark plug	Inspect, clean and/or replace spark plugs
Incorrect spark plug gap or heat range	Set gap to specs or replace plugs
Old or non-recommended fuel	Replace with fresh recommended fuel
Incorrectly installed spark plug wires	See your dealer
Incorrect ignition timing	See your dealer
Mechanical failure	See your dealer
Exhaust leaks	Replace exhaust seals



# TROUBLESHOOTING

## Engine Pings or Knocks

Possible Cause	Solution
Poor quality or low octane fuel	Replace with recommended fuel
Incorrect ignition timing	See your dealer
Incorrect spark plug gap or heat range	Set gap to specs or replace plugs
Idle set too low	Adjust idle speed

## Engine Runs Irregularly, Stalls or Misfires

Possible Cause	Solution
Fouled or defective spark plugs	Inspect, clean and/or replace spark plugs
Worn or defective spark plug wires	See your dealer
Incorrect spark plug gap or heat range	Set gap to specs or replace plugs
Loose ignition connections	Check all connections and tighten
Water present in fuel	Replace with new fuel
Low battery voltage	Recharge battery to 12.8 VDC
Kinked or plugged fuel tank vent line	Inspect and replace
Incorrect fuel	Replace with recommended fuel
Clogged air filter	Inspect and clean or replace
Reverse speed limiter malfunction	See your dealer
Electronic throttle control malfunction	See your dealer
Other mechanical failure	See your dealer

Possible Lean Fuel Cause	Solution
Low or contaminated fuel	Add or change fuel, clean the fuel system
Low octane fuel	Replace with recommended fuel
Clogged fuel filter	Replace filter
Incorrect jetting	See your dealer

Possible Rich Fuel Cause	Solution
Overuse of choke	Inspect, clean and/or replace spark plugs
Fuel is very high octane	Replace with lower octane fuel
Incorrect jetting	See your dealer

# TROUBLESHOOTING

## Engine Stops or Loses Power

Possible Cause	Solution
Out of fuel	Turn fuel valve to reserve, refuel
Kinked or plugged fuel vent line	Inspect and replace
Water is present in fuel	Replace with new fuel
Overuse of choke	Inspect, clean and/or replace spark plugs
Fouled or defective spark plugs	Inspect, clean and/or replace spark plugs
Worn or defective spark plug wires	See your dealer
Incorrect spark plug gap or heat range	Set gap to specs or replace plug
Loose ignition connections	Check all connections and tighten
Low battery voltage	Recharge the battery to 12.8 VDC
Incorrect fuel	Replace with fresh recommended fuel
Clogged air filter	Inspect and clean or replace
Reverse speed limiter malfunction	See your dealer
Electronic throttle control malfunction	See your dealer
Other mechanical failure	See your dealer
Overheated engine	Clean radiator screen and core if equipped Clean engine exterior See your Polaris dealer

# SPECIFICATIONS

## Scrambler 500 4X4 International

Maximum Weight Capacity	275 lbs. (125 kg) (includes weight of operator, cargo and accessories)
Dry Weight	570 lbs. (258.5 kg)
Fuel Capacity	4 gal. (15.1 l)
Engine Oil Capacity	2 qts. (1.9 l)
Transmission Oil	32 oz. (946 ml)
Demand Drive Fluid Capacity	9 oz. (265 ml)
Coolant	2.25 qts. (2.13 l)
Rear Rack Capacity (Accessory)	60 lbs. (27.2 kg) (Maximum)
Hitch Tongue Weight Capacity	85 lbs. (38.6 kg) (Rear rack capacity and tongue weight not to exceed 60 lbs./27.2 kg)
Hitch Towing Rating	850 lbs. (385.6 kg)
Unbraked Trailer Towing Capacity*	1210 lbs. (549 kg)
Overall Length	75 in. (190.5 cm)
Overall Width	45 in. (114 cm)
Overall Height	49 in. (124.5 cm)
Wheelbase	48.5 in. (123 cm)
Ground Clearance	4.75 in. (12 cm)
Minimum Turning Radius	65 in. (165 cm) unloaded
Engine Model Number/Type	EH50PLE-129 / 4 Cycle, Single Cylinder
Lubrication	Dry sump
Engine Cooling	Liquid
Displacement	498 cc
Bore x Stroke	92 x 75
Alternator Output	250w @5000 rpm
Compression Ratio	10.2:1
Carburetor	BST 40
Pilot Jet	37.5
Main Jet	155
Needle Jet	X-6M
Jet Needle	6MGH1194-4
Pilot Air Jet	1.3
Pilot Screw	3 turns
Ignition System	CDI
Ignition Timing	30° +/- 2° @ 5000 RPM
Idle RPM	1350
Spark Plug / Gap	BKR6E / .036 in. (.9 mm)

\* Based on EU Directive 76/432/EC

# SPECIFICATIONS

## Scrambler 500 4X4 International

Driving System Type	Automatic PVT (Polaris Variable Transmission)
Shift Type	Side Lever (F/N/R)
Gear Reduction, Reverse	4.74:1
Gear Reduction, Forward	3.06:1
Drive Ratio, Front	3.818:1
Drive Ratio, Final	2.77:1
Drive Chain	520 O-Ring
Tires/Pressure, Front	23 x 7-10 (4 psi/27.6 kPa)
Tires/Pressure, Rear	22 x 11-10 (3 psi/20.7 kPa)
Front Suspension	MacPherson strut with 8.2" (21 cm) travel
Rear Suspension	Progressive rate with 10.5" (26.7 cm) travel
Shock Adjustment	CAM
Hand Brake	Single-Control Hydraulic Disc, All Wheel
Foot Brake	Foot-Activated Hydraulic Disc, All Wheel
Brake, Parking	Hydraulic lock, all wheel
Headlight	Single Beam 60w
Taillights	12V 8.26W
Brake Light	12V 26.9W
Battery	12V 14AH
Indicators	High Beam/Turn Signals/High Temp/Neutral/Reverse

## Jetting Chart

ALTITUDE Meters (Feet)	AMBIENT TEMPERATURE	
	Below 40° F (Below 5° C)	40°F and above (5°C and above)
0-1800 (0-6000)	160	155
1800-3700 (6000-12000)	152.5	147.5

## Clutching Chart

Altitude Meters (Feet)	Shift Weight	Drive Clutch Spring	Driven Clutch Spring	Helix/Spring/ Setting
0-1800 (0-6000)	25-52 5632391	Blue/Green 7041157	Black 7041782	40° 5131446 2+2
1800 & above (6000 & above)	25-48 5630709	Blue/Green 7041157	Black 7041782	40° 5131446 2+2

# DECLARATION OF CONFORMITY

Polaris Industries Inc.,  
2100 Hwy 55, Medina, MN 55340 U.S.A.  
Telephone 763-542-0500



We, Polaris Industries Inc., declare that the vehicles listed below conform to the essential health and safety requirements applicable to off-road all-terrain vehicles.

APPLICABLE EUROPEAN DIRECTIVES	TEST / EVALUATION METHODS	
98/37/EC as amended (Machinery Directive)	EN 1050 hazard analysis CD 77/311/EEC driver-perceived noise level	
2004/108/EC as amended (EMC Directive)	CISPR 12:2001 CAN/CSA-C108.4-M92	EN 55012:2002 EN 61000-6-2:2001

## PRODUCT IDENTIFICATION

VEHICLE SERIES	TRADE NAME	MODEL YEARS	SOUND PRESSURE dB (A)
KA05	OUTLAW 50	2008, 2009, 2010	76.8
KA09	OUTLAW 90	2008, 2009, 2010	76.8
FA09	SPORTSMAN 90	2008, 2009, 2010	76.8
VA17	RZR 170	2009, 2010	81.3
PB20	PHOENIX 200	2008, 2009, 2010	76.8
BA32	TRAIL BLAZER 330	2008, 2009, 2010	76.8
CA32	TRAIL BOSS 330	2008, 2009, 2010	76.8
BA50	SCRAMBLER 500	2008, 2009, 2010	79.6
GJ45	OUTLAW 450	2008, 2009, 2010	80.7
GJ52, GP52	OUTLAW 525	2008, 2009, 2010	80.7
LH27	SPORTSMAN 300	2008, 2009, 2010	81.1
LH46	SPORTSMAN 400	2008, 2009, 2010	80.2
MN50	SPORTSMAN 500 EFI	2008, 2009, 2010	80.4
ZN55, ZX55	SPORTSMAN 550 EFI	2009, 2010	80.8
TN55, DN55	SPORTSMAN X2/TOURING 550	2010	77.2
MN76	SPORTSMAN 800	2008, 2009, 2010	83.6
TN85, DN85	SPORTSMAN X2/TOURING 850	2010	77.2
CL76	SPORTSMAN 800 6X6	2009, 2010	80.1
ZN85, ZX85	SPORTSMAN 850 EFI	2009, 2010	80.4
RH50, HH50	RANGER 500 EFI 4X4	2009, 2010	76.5
HH76	RANGER 800 EFI 4X4	2010	76.5
WH76	RANGER 800 EFI CREW	2010	76.5
HR	RANGER 800 6X6	2010	76.5
HY	RANGER HD 800 4X4	2010	76.5
VH76	RANGER RZR	2008, 2009, 2010	85.8

Authorized Signatory:

Alexander A. Kennedy, Product Compliance  
Polaris Industries Inc., Engineering Operations  
301 5th Avenue SW, Roseau, MN 56751

# WARRANTY

## LIMITED WARRANTY

Polaris Industries Inc., 2100 Highway 55, Medina, MN 55340, gives a TWO YEAR LIMITED WARRANTY on all components of the Polaris vehicle against defects in material or workmanship. This warranty covers the parts and labor charges for repair or replacement of defective parts which are covered by this warranty. This warranty begins on the date of purchase. This warranty is transferable to another consumer during the warranty period through a Polaris dealer.

## REGISTRATION

At the time of sale, the Warranty Registration Form must be completed by your dealer and submitted to Polaris within ten days. Upon receipt of this registration, Polaris will record the registration for warranty. No verification of registration will be sent to the purchaser as the copy of the Warranty Registration Form will be the warranty entitlement. If you have not signed the original registration and received the customer copy, please contact your dealer immediately. **NO WARRANTY COVERAGE WILL BE ALLOWED UNLESS YOUR VEHICLE IS REGISTERED WITH POLARIS.**

Initial dealer preparation and set-up of your vehicle is very important in ensuring trouble-free operation. Purchasing a machine in the crate or without proper dealer set-up will void your warranty coverage.

# WARRANTY

## WARRANTY COVERAGE AND EXCLUSIONS: LIMITATIONS OF WARRANTIES AND REMEDIES

The Polaris limited warranty excludes any failures that are not caused by a defect in material or workmanship. This warranty does not cover accidental damage, normal wear and tear, abuse or improper handling. This warranty also does not cover any vehicle that has been altered structurally, modified, neglected, improperly maintained, used for racing, or used for purposes other than for which it was manufactured, or for any damages which occur during trailer transit or as a result of unauthorized service or the use of unauthorized parts. In addition, this warranty does not cover physical damage to paint or finish, stress cracks, tearing or puncturing of upholstery material, corrosion, or defects in parts, components or the vehicle due to fire, explosions or any other cause beyond Polaris' control.

Warranty does not apply to parts exposed to friction surfaces, stresses, environmental conditions and/or contamination for which they were not designed or not intended, including but not limited to the following items:

- Wheels and tires
- Suspension components
- Brake components
- Seat components
- Clutches and components
- Steering components
- Batteries
- Light bulbs/Sealed beam lamps
- Finished and unfinished surfaces
- Carburetor/Throttle body components
- Engine components
- Drive belts
- Hydraulic components
- Circuit breakers/Fuses
- Electronic components

Warranty applies to the product only and does not allow for coverage of personal loss. Some items are considered "consumable," meaning they are considered part of normal maintenance or part of completing an effective repair. The following items are excluded from warranty coverage in the event of a warranty claim:

- Spark Plugs
- Filters
- Fuel
- Sealants
- Hotel fees
- Towing charges
- Mileage
- Rentals/Loss of product use
- Lubricants such as oil, grease, etc.
- Batteries (unless defective)
- Cosmetic damage/repair
- Coolants
- Meals
- Shipping/ handling fees
- Product pick-up/delivery
- Loss of vacation/personal time

# WARRANTY

## LIMITATIONS OF WARRANTIES AND REMEDIES

This warranty also excludes failures resulting from improper lubrication; improper engine timing; improper fuel; surface imperfections caused by external stress, heat, cold or contamination; operator error or abuse; improper component alignment, tension, adjustment or altitude compensation; failure due to snow, water, dirt or other foreign substance ingestion/contamination; improper maintenance; modified components; use of aftermarket components resulting in failure; unauthorized repairs; repairs made after the warranty period expires or by an unauthorized repair center; use of the product in competition or for commercial purposes. Warranty will not apply to any product which has been damaged by abuse, accident, fire or any other casualty not determined a defect of materials or workmanship.

This warranty does not cover the use of unauthorized lubricants, chemicals, or fuels that are not compatible with the vehicle. The exclusive remedy for breach of this warranty shall be, at Polaris' exclusive option, repair or replacement of any defective materials, or components or products. THE REMEDIES SET FORTH IN THIS WARRANTY ARE THE ONLY REMEDIES AVAILABLE TO ANY PERSON FOR BREACH OF THIS WARRANTY. POLARIS SHALL HAVE NO LIABILITY TO ANY PERSON FOR INCIDENTAL, CONSEQUENTIAL OR SPECIAL DAMAGES OF ANY DESCRIPTION, WHETHER ARISING OUT OF EXPRESS OR IMPLIED WARRANTY OR ANY OTHER CONTRACT, NEGLIGENCE, OR OTHER TORT OR OTHERWISE. Some states do not permit the exclusion or limitation of incidental or consequential damages or implied warranties, so the above limitations or exclusions may not apply to you if inconsistent with controlling state law.



# WARRANTY

ALL IMPLIED WARRANTIES (INCLUDING BUT NOT LIMITED TO THE IMPLIED WARRANTIES OF MERCHANTABILITY AND FITNESS FOR A PARTICULAR PURPOSE) ARE LIMITED IN DURATION TO THE ABOVE TWO YEAR WARRANTY PERIOD. POLARIS FURTHER DISCLAIMS ALL EXPRESS WARRANTIES NOT STATED IN THIS WARRANTY. Some states do not allow limitations on how long an implied warranty lasts, so the above limitation may not apply to you if inconsistent with controlling state law.

## HOW TO OBTAIN WARRANTY SERVICE

If your vehicle requires warranty service, you must take it to a Polaris dealer authorized to repair Polaris vehicles. When requesting warranty service you must present your copy of the Warranty Registration form to the dealer. (THE COST OF TRANSPORTATION TO AND FROM THE DEALER IS YOUR RESPONSIBILITY). Polaris suggests that you use your original selling dealer; however, you may use any Polaris Servicing Dealer to perform warranty service.

Please work with your dealer to resolve any warranty issues. Should your dealer require any additional assistance they will contact the appropriate person at Polaris.

This warranty gives you specific legal rights, and you may also have other rights which vary from state to state.

If any of the above terms are void because of state or federal law, all other warranty terms will remain in effect.





# INDEX

## A

Age Restrictions	5
Air Filter	68
All Wheel Drive Switch	21
All Wheel Drive System	28

## B

<b>Battery</b>	<b>86-91</b>
Charging (Conventional)	90
Charging (Sealed)	90-91
Fluid (Conventional)	89
Installation	88
Removal	87
Storage	89
Boots	9
Brake Fluid	59-60
Brake Inspections	61
Brake, Foot	24
Brake, Hand	24
Brake, Parking	25
Brakes	24-25, 61
Break-In Period	29
Breather Filter	68

## C

Carburetor	70
Carburetor Adjustment	70
Cargo	44-45
Choke	26
Chrome Wheel Care	94
Cleaning and Storage	92-97
Clothing	9
Clutching Chart	105
Coolant Bottle	74
Coolant, Radiator	75
Cooling System	74-75
Corrosion Removal, Chrome	94

## D

Demand Drive Fluid	58
Drive Belt Wear/Burn	100
Drive Chain	71-73
Drive Chain Lubrication	71
Drive Chain Slack	72-73
Drivetrain Break-In	29
Driving Downhill	38
Driving in Reverse	42
Driving on a Sidehill	37
Driving on Slippery Surfaces	35
Driving Over Obstacles	41
Driving Procedures	33
Driving Through Water	40
Driving Uphill	36

## E

Electromagnetic Interference	46
Engine Break-In	29
Engine Fogging	96
Engine Idle RPM Adjustment	70
Engine Oil	52
Engine Stop Switch	20
Equipment Modifications	5, 7
Exhaust Emission Control System	46
Eye Protection	9

## F

Fluid, Brake	59-60
Fluid, Demand Drive	58
Foot Brake	24
Front Gearcase Fluid	58
Fuel Filter	26
Fuel Safety	15
Fuel Tank Cap	26
Fuel Valve	26

# INDEX

## G

Gasoline Handling	15
Gear Selector	25
Gloves	9

## H

Handlebar Adjustment	69
Hauling Cargo	44-45
Hazard Switch	21
Headlamp Replacement	77
Headlight Beam Adjustment	76
Headlight Switch	21
Helmet	8
Horn Switch	21

## I

Idle RPM Adjustment	70
Immersion	81
Indicator Lights	22

## J

Jetting Chart	105
---------------	-----

## K

Key Switch	21
K-Turn	39

## L

<b>Lights</b>	<b>76-78</b>
Headlamp Replacement	77
Headlight Beam Adjustment	76
Indicator Lamp Replacement	78
Taillight/Brakelight Replacement	78
Load Distribution	45
Lubrication Guide	51

## M

Maintenance Chart	47-50
Mirrors	22
Modifications	5, 7

## N

Noise Emission Control System	46
-------------------------------	----

## O

Oil, Engine	52
Oil, Transmission	56-57
Oil and Filter Change	53-55
Oil Level, Engine	52
Oil Pump Priming	55
Oil Recommendations	52
Operator Safety	10-15
Override Switch	20

## P

Parking Brake	25
Parking on an Incline	43
Periodic Maintenance Chart	47-50
Polaris Product List	99
Polishing the Vehicle	93
Pre-Ride Checklist	30
PVT Break-In	29
PVT Drying	85
PVT System	83-85

## R

Reverse Operation	42
Riding Gear	8-9

## S

Safety Labels	16-19
"No Passenger" Warning	18
4X4 Caution	19
Age 16 Warning	19
Clutch Cover Warning	19
Discretionary Warning	17
General Warning	16
Reverse Override Warning	19
Tire Pressure/Load Warning	18
Safety Training	5
Severe Use	47

# INDEX

## S

Side Panel Removal .....	61
Sidehilling .....	37
Signal Words .....	4
Spark Arrestor .....	82
Spark Arrestor Requirements .....	46
Spark Plugs .....	79-80
Spring Preload, Rear .....	63
Starting the Engine .....	31-32
Steering Assembly .....	63
Steering Lock .....	27
Stop Switch .....	20
Storage .....	92-97
Suspension Adjustments, Rear .....	63
<b>Switches .....</b>	<b>20-21</b>
All Wheel Drive Switch .....	21
Engine Stop Switch .....	20
Hazard Switch .....	21
Headlight Switch .....	21
Horn Switch .....	21
Main Key Switch .....	21
Override Switch .....	20
Turn Signal Switch .....	21

## T

Throttle Cable Freeplay .....	64
Throttle Lever .....	23
Tire Tread Depth .....	65
<b>Tires .....</b>	<b>65-67</b>
Front Wheel Hub Tightening .....	65
Tread Depth .....	65
Wheel Installation .....	66
Wheel Nut Torque .....	67
Wheel Removal .....	66
Toe Alignment .....	62
Towing Loads .....	45
Training, Safety .....	5
Transmission Oil .....	56-57
Transporting the Vehicle .....	98
Turn Signal Switch .....	21
Turning Around on a Hill .....	39
Turning the Vehicle .....	34

## V

Vehicle Identification Numbers .....	6
Vehicle Immersion .....	81

## W

Warning Symbols .....	4
Washing the Vehicle .....	92-93
Wheel Hub Tightening .....	65
Wheel Installation .....	66
Wheel Nut Torque Specifications .....	67
Wheel Removal .....	66

## Free Manuals Download Website

<http://myh66.com>

<http://usermanuals.us>

<http://www.somanuals.com>

<http://www.4manuals.cc>

<http://www.manual-lib.com>

<http://www.404manual.com>

<http://www.luxmanual.com>

<http://aubethermostatmanual.com>

Golf course search by state

<http://golfingnear.com>

Email search by domain

<http://emailbydomain.com>

Auto manuals search

<http://auto.somanuals.com>

TV manuals search

<http://tv.somanuals.com>