



**POLARIS**<sup>®</sup>  
The Way Out.



**2007**

**600 HO RMK 144**

**600 HO RMK 155**

**DRAGON RMK**

***Snowmobile Owner's Manual  
for Maintenance and Safety***



For your nearest Polaris dealer,  
call 1-800-POLARIS  
or visit [www.polarisindustries.com](http://www.polarisindustries.com)  
Polaris Sales Inc.,  
2100 Hwy. 55, Medina, MN 55340  
Phone (763) 417-8650 Fax (763) 542-0599  
Part No. 9920476 Rev 01  
Printed in USA

** WARNING**

Read, understand, and follow all of the instructions and safety precautions in this manual and on all product labels.

Failure to follow the safety precautions could result in serious injury or death.

** WARNING**

The engine exhaust from this product contains chemicals known to the State of California to cause cancer, birth defects or other reproductive harm.

# WELCOME

Thank you for purchasing a Polaris vehicle, and welcome to our world-wide family of Polaris owners. We proudly produce an exciting line of utility and recreational products.

- Snowmobiles
- All-terrain vehicles (ATVs)
- *RANGER* utility vehicles
- Victory motorcycles

We believe Polaris sets a standard of excellence for all utility and recreational vehicles manufactured in the world today. Many years of experience have gone into the engineering, design, and development of your Polaris vehicle, making it the finest machine we've ever produced.

For safe and enjoyable operation of your vehicle, be sure to follow the instructions and recommendations in this owner's manual. Your manual contains instructions for minor maintenance, but information about major repairs is outlined in the Polaris Service Manual and should be performed only by a Factory Certified Master Service Dealer (MSD) Technician.

Your Polaris dealer knows your vehicle best and is interested in your total satisfaction. Be sure to return to your dealership for all of your service needs during, and after, the warranty period.

We also take great pride in our complete line of apparel, parts and accessories, available through our online store at [www.purepolaris.com](http://www.purepolaris.com). Have your accessories and clothing delivered right to your door!



**POLARIS**<sup>®</sup>  
The Way Out.

POLARIS and POLARIS THE WAY OUT are registered trademarks of Polaris Industries Inc.

Copyright 2006 Polaris Sales Inc. All information contained within this publication is based on the latest product information at the time of publication. Due to constant improvements in the design and quality of production components, some minor discrepancies may result between the actual vehicle and the information presented in this publication. Depictions and/or procedures in this publication are intended for reference use only. No liability can be accepted for omissions or inaccuracies. Any reprinting or reuse of the depictions and/or procedures contained within, whether whole or in part, is expressly prohibited.

Printed in U.S.A.

2007 600 HO RMK 144/600 HO RMK 155/DRAGON RMK Owner's Manual  
P/N 9920476

# TABLE OF CONTENTS

<b>Introduction</b> . . . . .	<b>5</b>
This section contains helpful information for owners and drivers and illustrates the location of important identification numbers that should be recorded in the owner's manual.	
<b>Safety</b> . . . . .	<b>8</b>
This section describes safe vehicle operation and identifies warning decals and their locations.	
<b>Features</b> . . . . .	<b>26</b>
This section identifies the locations of your snowmobile's controls and features.	
<b>The Perfect Fit</b> . . . . .	<b>39</b>
This section explains how to tailor the suspension and other features for an optimum riding experience.	
<b>Pre-Ride Inspections</b> . . . . .	<b>49</b>
This section explains procedures that must be performed before riding.	
<b>Operation</b> . . . . .	<b>56</b>
This section explains proper engine break-in, operation of features and general operating procedures.	
<b>Maintenance</b> . . . . .	<b>69</b>
This section defines your role, and your dealer's role, in your snowmobile's regular maintenance.	
<b>Polaris Products</b> . . . . .	<b>112</b>
<b>Troubleshooting</b> . . . . .	<b>113</b>
<b>Warranty</b> . . . . .	<b>118</b>
<b>Maintenance Log</b> . . . . .	<b>127</b>
<b>Index</b> . . . . .	<b>130</b>



# INTRODUCTION

## Important Notes for Owners and Drivers

After reading this manual, store it in the snowmobile for convenient reference. It should remain with the snowmobile when the snowmobile is sold.

Some of the illustrations and photos used in this manual are general representations. Your model may differ.

Follow the maintenance program outlined in this manual. Preventive maintenance ensures that critical components of the snowmobile are inspected by your dealer at specific mileage intervals.

You and your dealer must complete the registration form included with your snowmobile and forward it to us. This completed form is necessary to ensure warranty coverage.

Protect and preserve your right to ride by joining your local trail riding clubs.

When teaching inexperienced operators to ride, set up a predetermined course for practice. Make sure they know how to drive and control the snowmobile before allowing them to make longer trips. Teach them proper snowmobile courtesy, and enroll them in driver's training and safety courses sponsored by local or state organizations.



# **INTRODUCTION**

## **Preservation of the Environment**

Polaris is committed to supporting an environmental education campaign. We encourage state and provincial governments across the snowbelt to adopt rigorous safety training programs that encourage protection of our environment, including wildlife and vegetation.

Snowmobile clubs and other organizations are working together to protect our environment. Please support their efforts and operate your snowmobile with consideration for the protection and preservation of our environment.

### **Noise Level**

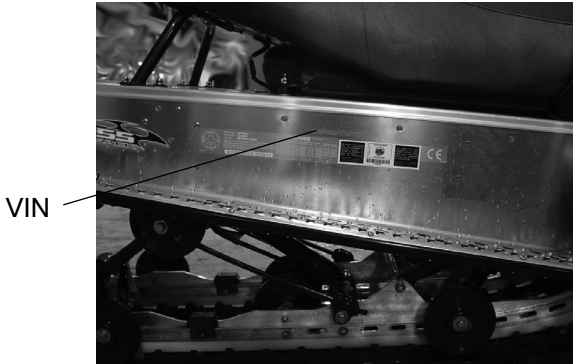
One of the most publicized issues about snowmobiles is noise. The Society of Automotive Engineers (SAE), the standard-setting body for snowmobile development, recommends that snowmobiles conform to prescribed sound levels.

Polaris snowmobiles are engineered to conform to these SAE standards. Our muffler systems are designed to reduce noise levels and must not be altered or removed. The sound of your snowmobile may not be welcome to non-snowmobilers, so you have a responsibility to operate your snowmobile with concern for others. We do our part by manufacturing quieter machines; we ask your help to further reduce the impact of noise by operating your snowmobile safely and responsibly.

# INTRODUCTION

## Vehicle Identification Numbers

Record your snowmobile's identification numbers and key number in the spaces provided below. The key number is stamped on the spare key. The number on the rubber-coated key is in the form of raised dots. Remove the spare key and store it in a safe place. An ignition key can be duplicated only by ordering a Polaris key blank (using your key number) and mating it with one of your existing keys. The ignition switch must be replaced if all keys are lost.



Vehicle Model Number: \_\_\_\_\_

Tunnel VIN: \_\_\_\_\_  
(lower right side of the tunnel)

Engine Serial Number (on valve cover): \_\_\_\_\_

Key Number: \_\_\_\_\_

# SAFETY

## Operator Safety

The following signal words and symbols appear throughout this manual and on your vehicle. Your safety is involved when these words and symbols are used. Become familiar with their meanings before reading the manual.



The *safety alert symbol*, on your vehicle or in this manual, alerts you to the potential for injury.

### **WARNING**

The *safety alert warning* indicates a potential hazard that may result in serious injury or death.

### **CAUTION**

The *safety alert caution* indicates a potential hazard that may result in minor injury or damage to the vehicle.

### **CAUTION**

A *caution* indicates a situation that may result in damage to the vehicle.

### **NOTE**

A *note* will alert you to important information or instructions.

## Operator Safety

Follow the recommended maintenance program outlined beginning on page 71 of this manual to ensure that all critical components on the snowmobile are thoroughly inspected by your dealer at specific mileage intervals.

### **WARNING**

Driving a snowmobile requires your full attention. **DO NOT** drink alcohol or use drugs or medications before or while driving or riding as a passenger. They will reduce your alertness and slow your reaction time.

Snowmobiles are capable of traveling at high speeds. Use extra caution to ensure operator safety. Make sure your snowmobile is in excellent operating condition at all times. Always check major and vital safety components before every ride.

All Polaris snowmobiles are designed and tested to provide safe operation when used as directed. Failure of critical machine components may result from operation with any modifications, especially those that increase speed or power. **DO NOT MODIFY YOUR MACHINE.** The snowmobile may become aerodynamically unstable at speeds higher than those for which it is designed. Loss of control may occur at higher speeds. Modifications may also create a safety hazard and lead to bodily injury.

*The warranty on your entire machine is terminated* if any equipment has been added, or any modifications have been made, to increase the speed or power of the snowmobile.

# SAFETY

## Operator Safety

### Stay Clear of Track

Your snowmobile is propelled by a revolving track that must be partially exposed for proper operation.

#### **⚠ WARNING**

Serious injuries may result if hands, feet, or clothing become entangled in the track. Be alert when riding, and remain properly seated to stay clear of the track.

Never hold the snowmobile up or stand behind it while warming up the track. A loose track or flying debris could cause serious injury or death. We recommend having your dealer perform all track service and alignment procedures.



### Stay Clear of Engine

*Never* attempt adjustments with the engine running. Turn off the ignition, raise the hood, make the adjustment, secure shields and guards, secure the hood, and then restart the engine to check its operation.

#### **⚠ WARNING**

Serious injury can occur if fingers or clothing contact the moving parts of an engine. Always stop the engine before attempting adjustments.

## Operator Safety

### Riding Position

Operating a snowmobile requires skill and balance for proper control. Rider positions may vary with experience; but under many conditions, the proper position is to be seated with both feet on the running boards and both hands on the handlebar grips for proper throttle, brake and steering control.

#### **WARNING**

Improper riding position may reduce control and could result in serious injury or death. Always ride in a position that allows for control of your vehicle.

### Survival Preparation

For your safety, always ride in a group of other snowmobilers. Always tell someone where you're going and how long you expect to be gone. If it isn't possible to ride with others, and you must travel into remote areas, always carry survival equipment that's appropriate to the conditions you may encounter. Such equipment may include, but is not limited to: extra clothing, a sleeping bag, a flashlight, food and water, a signaling mirror, a means of building a fire, and a two-way radio or cellular telephone.

Always carry the owner's manual on your snowmobile. For added protection, purchase and carry the following items on your snowmobile as well:

- Spare Drive Belt
- Extra Set of Spark Plugs
- Tow Rope
- Extra Oil
- Fuel Deicer
- Winter Survival Kit
- Trail Map
- First Aid Kit
- Tool Kit

# SAFETY

## Operator Safety

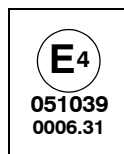
### Riding Apparel

#### Helmet

Wearing a helmet can prevent a severe head injury. Whenever riding a Polaris vehicle, always wear a helmet that meets or exceeds established safety standards.

Approved helmets in the USA and Canada bear a U.S. Department of Transportation (DOT) label.

Approved helmets in Europe, Asia and Oceania bear the ECE 22.05 label. The ECE mark consists of a circle surrounding the letter E, followed by the distinguishing number of the country which has granted approval. The approval number and serial number will also be displayed on the label.



#### Eye Protection

Do not depend on eyeglasses or sunglasses for eye protection. Whenever riding a Polaris vehicle, always wear shatterproof goggles or use a shatterproof helmet face shield. Polaris recommends wearing approved Personal Protective Equipment (PPE) bearing markings such as VESC 8, V-8, Z87.1, or CE. Make sure protective eye wear is kept clean.

#### Clothing

Be prepared, be warm and be comfortable when riding. Be aware of the weather forecast, especially the windchill, and dress accordingly. See the chart on page 21.



#### **⚠ WARNING**

Avoid wearing loose clothing or long scarves, which can become entangled in moving parts and cause serious injury. Always wear an approved helmet and eye protection.

## Operator Safety

### Disabled Operators

Safe operation of this rider-active vehicle requires good judgement and physical skills.

#### **WARNING**

Operators with cognitive or physical disabilities have an increased risk of loss of control, which could result in serious injury or death. Do not allow disabled persons to operate this vehicle.

### Rider Capacity

Your Polaris snowmobile is designed for a single rider only. Do not carry a passenger.

### Excessive Speed

#### **WARNING**

High speed driving, especially at night, could result in serious injury or death. Always reduce speed when driving at night or in inclement weather.

Always observe all state and local laws governing snowmobile operation and speed limits. Always be alert and pay attention to the trail ahead. If your speed is 40 MPH (64 km/h), your snowmobile is traveling about 60 feet (18 m) per second. If you look back for only two seconds, your snowmobile will travel about 120 feet (36 m). If your speed is 60 MPH (96 km/h), your snowmobile will travel about 180 feet (55 m) in two seconds.

Traveling at night requires extra caution. Check headlight and taillight to ensure proper operation, and don't over-drive your headlight beam. Always be able to bring your snowmobile to a stop in the distance illuminated by the headlight.



# SAFETY

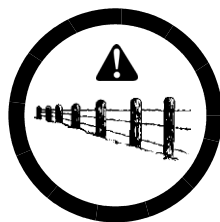
## Operator Safety

### Driver Awareness

Slow down when traveling near poles, posts, or other obstacles. Be especially alert if you're snowmobiling after dark. Always be on the alert for wire fences. Single strands are especially dangerous, since there may be a great distance between posts. Guy wires on utility poles are also difficult to distinguish.

Make sure the way is clear before crossing railroads and other roads and highways. The noise of your snowmobile will drown out the sound of approaching vehicles. Look ahead, behind, and to both sides before turning or crossing railroad tracks or highways. Steep embankments may also hide your view. Always leave yourself a way out.

Variations in snow depth and/or water currents may result in uneven ice thickness. You may drown if you break through the ice. Avoid travelling on frozen bodies of water.



## Operator Safety Avalanches

Snowmobilers should always be properly trained and equipped before traveling in mountainous terrain:

- Take an avalanche class
- Travel with experienced people
- Travel on designated trails
- Make sure each person is equipped with a shovel, probe and avalanche beacon.



You don't have to be snowmobiling on a slope for an avalanche to occur. Be aware that all of the snow is connected. You may be riding on a flat slope or snow covered road, but if the snowpack above is unstable enough you can trigger an avalanche on a steeper slope above you. Always be aware of snow conditions above you as you travel in mountainous terrain.

Before riding in mountainous terrain, call or log on to your local avalanche advisory to get current weather and snow stability information.

For more information about avalanche training and avalanche conditions, contact local law enforcement in your area, or visit the American and Canadian online avalanche centers at [www.avalanche.org](http://www.avalanche.org).

# SAFETY

## Operator Safety

### Ice and Snow Build-up

#### **WARNING**

Ice and snow build-up may interfere with the steering of your snowmobile, resulting in serious injury or death. Keep the underhood area free of snow and ice.

Before driving, manually turn the skis to the left and right to be sure ice and snow are not interfering with full left and right steering. If difficulty is encountered, remove ice and snow build-up that may be obstructing the steering linkage.

### Driving Downhill

When riding downhill, shift your weight to the rear of the snowmobile and reduce your speed to a minimum. Apply just enough throttle to keep the clutch engaged, allowing the engine's compression to help slow the snowmobile and keep it from rolling freely downhill.

#### **WARNING**

When driving on long downhill stretches, pump the brakes. Riding the brakes may cause the brake system to overheat, which may result in brake failure.

Excessive or repetitive use of the brakes for high speed stops will also cause an overheated brake system. This condition may lead to a sudden loss of brakes and/or fire and may result in serious injury or death.

## Operator Safety

### Driving on Slippery Surfaces

#### **⚠ WARNING**

Never attempt an abrupt change of direction when operating on slippery surfaces. Proceed slowly and use extra caution.

Driving on ice or hard-packed snow reduces steering and braking control, which may result in loss of control and serious injury or death. Slow down and use extra caution when operating on slippery surfaces.

### Driving in Hilly Terrain

#### **⚠ WARNING**

Climbing a hill or crossing the face of a slope may result in loss of balance and snowmobile rollover, causing serious injury or death. Use caution and good judgement when driving in hilly terrain.

Use extra caution when operating in hilly terrain. If climbing a hill is unavoidable, keep your weight low and forward. If you must cross the face of a slope, keep your weight on the uphill side of the snowmobile to maintain proper balance and avoid possible rollover.

Slow down when reaching the crest of a hill. Be prepared to react to obstacles, sharp drops or other people or vehicles that may be on the other side of the hill.

If you're unable to continue up a hill, turn the snowmobile downhill before it loses momentum. If this isn't possible, spin the track just enough to dig in to prevent it from rolling back down the hill. Stop the engine and set the parking brake (if equipped). Keeping away from the downhill side of the snowmobile, pull the rear of the snowmobile around and point the front end and skis downhill. Remount the snowmobile, restart the engine, release the parking brake, and descend the hill carefully.

# **SAFETY**

## **Operator Safety**

### **Drive Belt**

**Do not operate the engine with the drive belt removed.**

Any servicing that requires operation without a belt must be performed by your dealer. Operation of the engine with the belt removed may result in injury or damage to the engine.

### **Intake Silencer**

**Do not operate the engine with the intake silencer or filter removed.**

Damage to the engine may occur if the intake silencer or filter are removed.

### **Clutches**

**Do not attempt to service the clutches.**

All clutch service must be performed by your dealer. The clutch is a complex mechanism that rotates at high speeds. Each clutch is dynamically balanced before installation. Any tampering may disrupt this precision balancing and create an unstable condition.

### **Cold Weather Drive-Away**

Whenever your snowmobile has been parked for a length of time, especially overnight, always make sure the skis and track are loosened from ice and snow before attempting to drive. Apply the throttle with enough authority to put the snowmobile into motion, but always operate within safety limits and, on 2-up machines, with respect for a passenger.

### **Maneuverability**

While much control and maneuverability is achieved through the steering system and skis, maximum control is achieved by the shifting of your body weight. Maneuverability will change for lighter operators or snowmobiles designed to carry a load or a passenger.

## Operator Safety Inadequate Snow Conditions

### **WARNING**

Do not drive for prolonged periods on blacktop, gravel, or ice. Doing so could cause irreversible track damage and lead to serious injury.

Since snow provides the only lubrication for the power slide suspension and, on liquid cooled models, cooling for the engine, adequate snow cover is a requirement for operation of your snowmobile. Driving in too little snow will result in excessive wear and damage to the slide rail, track and/or engine.

### **CAUTION**

When operating on icy surfaces or hard-packed snow, avoid overheating the slide rail and track. Lack of lubrication and cooling will cause overheating of the slide rail and track, resulting in premature wear and failure. If frequently operating in low cooling conditions, see your dealer for an optional wheel kit that will reduce the wear from overheating.

## Operating in Deep Snow

If the snowmobile becomes stuck in snow, clear the running board area of snow, then step down the snow in front of the snowmobile so that when the throttle is opened, the snowmobile will be able to climb up and over the snow.

# SAFETY

## Operator Safety Driving Responsibly

Every snowmobile handles differently, and even the most docile conditions may become dangerous if operators drive improperly. If you're new to snowmobiling, acquaint yourself with the machine and with what it will and won't do under various conditions. Even seasoned drivers should spend some time getting the feel for a machine before attempting ambitious maneuvers.

- A snowmobile depends on the rider's body position for proper balance in executing turns, traversing hills, etc. Always start on a smooth, level area to begin building your operating experience.
- Before allowing someone else to use your snowmobile, know the extent of their operating skills. Check to see if they've taken a snowmobile safety course and have an operator's certificate. For their protection, as well as yours, make sure they take a snowmobile safety course. Everyone can benefit from the course.
- Don't "jump" your snowmobile. Jumping may injure your back because of spinal compression. The seat and suspension of your snowmobile have been designed to provide protection under normal riding conditions. Your snowmobile is not intended for this kind of use.
- Be courteous to oncoming traffic by dimming your headlights and reducing your speed.
- When traveling in a group of snowmobiles, don't tailgate (follow too closely). Leave enough distance between snowmobiles to provide ample stopping room and to provide protection from flying snow and debris. Allow even more distance when driving on slippery surfaces or when driving in darkness or other low visibility conditions. Be aware of any snowmobile traffic around your vehicle. Drive defensively to avoid accidents.
- Remove the key from the ignition when you leave the snowmobile unattended.

## Operator Safety Windchill/Temperature Charts

The following information is provided to help you determine when temperatures become dangerous for riding.

### WIND CHILL CHART (°F)

Wind Speed in MPH	Actual Thermometer Reading (°F)																	
	40	35	30	25	20	15	10	5	0	-5	-10	-15	-20	-25	-30	-35	-40	-45
	Equivalent Temperature (°F)																	
Calm	40	35	30	25	20	15	10	5	0	-5	-10	-15	-20	-25	-30	-35	-40	-45
5	36	31	25	19	13	7	1	-5	-11	-16	-22	-28	-34	-40	-46	-52	-57	-63
10	34	27	21	15	9	3	-4	-10	-16	-22	-28	-35	-41	-47	-53	-59	-66	-72
15	32	25	19	13	6	0	-7	-13	-19	-26	-32	-39	-45	-51	-58	-64	-71	-77
20	30	24	17	11	4	-2	-9	-15	-22	-29	-35	-42	-48	-55	-61	-68	-74	-81
25	29	23	16	9	3	-4	-11	-17	-24	-31	-37	-44	-51	-58	-64	-71	-78	-84
30	28	22	15	8	1	-5	-12	-19	-26	-33	-39	-46	-53	-60	-67	-73	-80	-87
35	28	21	14	7	0	-7	-14	-21	-27	-34	-41	-48	-55	-62	-69	-76	-82	-89
40	27	20	13	6	-1	-8	-15	-22	-29	-36	-43	-50	-57	-64	-71	-78	-84	-91
45	26	19	12	5	-2	-9	-16	-23	-30	-37	-44	-51	-58	-65	-72	-79	-86	-93
50	26	19	12	4	-3	-10	-17	-24	-31	-38	-45	-52	-60	-67	-74	-81	-88	-95
55	25	18	11	4	-3	-11	-18	-25	-32	-39	-46	-54	-61	-68	-75	-82	-89	-97
60	25	17	10	3	-4	-11	-19	-26	-33	-40	-48	-55	-62	-69	-76	-84	-91	-98
Frostbite in >>										30 min.	10 min.	5 min.						

### WIND CHILL CHART (°C)

Wind Speed in KPH	Actual Thermometer Reading (°C)																	
	5	2	-1	-4	-7	-10	-13	-16	-19	-22	-25	-28	-31	-34	-37	-40	-43	-46
	Equivalent Temperature (°C)																	
Calm	5	2	-1	-4	-7	-10	-13	-16	-19	-22	-25	-28	-31	-34	-37	-40	-43	-46
8	3	0	-	-7	-11	-14	-18	-22	-25	-29	-32	-36	-39	-43	-46	-50	-53	-57
16	2	-2	-6	-10	-13	-17	-21	-24	-28	-32	-36	-39	-43	-47	-50	-54	-58	-62
24	1	-3	-7	-11	-15	-19	-22	-26	-30	-34	-38	-42	-45	-49	-53	-57	-61	-65
32	0	-4	-8	-12	-16	-20	-24	-28	-32	-36	-39	-43	-47	-51	-55	-59	-63	-67
40	-1	-5	-9	-13	-17	-21	-25	-29	-33	-37	-41	-45	-49	-53	-57	-61	-65	-69
48	-1	-5	-9	-13	-18	-22	-26	-30	-34	-38	-42	-46	-50	-54	-58	-62	-66	-70
56	-2	-6	-10	-14	-18	-22	-26	-31	-35	-39	-43	-47	-51	-55	-59	-64	-68	-72
64	-2	-6	-10	-15	-19	-23	-27	-31	-35	-40	-44	-48	-52	-56	-61	-65	-69	-73
72	-2	-7	-11	-15	-19	-23	-28	-32	-36	-40	-45	-49	-53	-57	-61	-66	-70	-74
80	-3	-7	-11	-15	-20	-24	-28	-33	-37	-41	-45	-50	-54	-58	-62	-67	-71	-75
88	-3	-7	-12	-16	-20	-24	-29	-33	-37	-42	-46	-50	-55	-59	-63	-67	-72	-76
96	-3	-8	-12	-16	-21	-25	-29	-34	-38	-42	-47	-51	-55	-60	-64	-68	-73	-77
Frostbite in >>										30 min.	10 min.	5 min.						



# SAFETY

## Safety Decals and Locations

Warning decals have been placed on the snowmobile for your protection. Read and follow the instructions of the decals and other warnings on the snowmobile carefully. If any of the decals depicted in this manual differ from the decals on your snowmobile, always read and follow the instructions of the decals *on the snowmobile*.

If any decal becomes illegible or comes off, contact your Polaris dealer to purchase a replacement. Replacement *safety* decals are provided by Polaris at no charge. The part number is printed on the decal.

### Clutch Cover Warning

The clutch cover warning decal is under the hood on the clutch cover.

#### WARNING

**Do not operate engine with hood open.**

**Do not attempt adjustment with engine running.**

**Do not operate engine with plenum/belt guard removed.**

**Never run engine with drive belt removed.**

**Never service clutches yourself. See your dealer.**



Clutch Cover  
Warning

### Pressure Cap Warning

The pressure cap warning decal is found under the hood on the pressure cap of applicable liquid cooled models.

#### WARNING

**Do not open hot. Test or replace when changing coolant. Press down and turn to release cap. 13 PSI**

## Safety Decals and Locations

### “No Passenger” Warning

Snowmobiles designed for only a single rider have a warning decal on the console below the steering post.

#### WARNING

**This vehicle is designed for operator only.**

**“NO PASSENGER”**



“No Passenger”  
Warning

### Track Warning

The track warning decal is on the rear of the tunnel.

#### WARNING

**Stay clear of track. Do not sit on seat back. Entanglement with the track or a fall from seat back may result in severe injury or death.**

### Hot Surface Warning

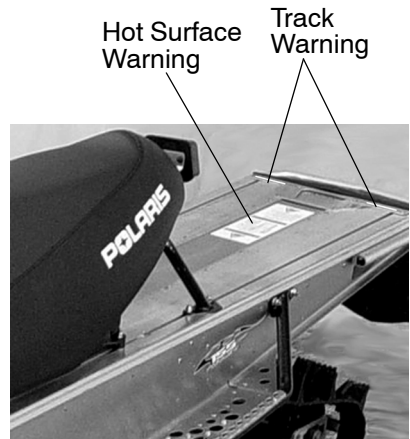
The hot surface warning is on the rear center of the tunnel.

#### WARNING

**Hot Surface**

**Do Not Touch**

**Burns may result. Entire top of tunnel may be hot. Install only accessories specifically approved for this model by Polaris. Do not place clothing, bags or cargo on tunnel. Do not cover this label.**



Hot Surface  
Warning

Track  
Warning

# SAFETY

## Safety Decals and Locations

### Reverse Warning

Polaris snowmobiles equipped with electric reverse have a reverse warning decal on the console.

#### WARNING

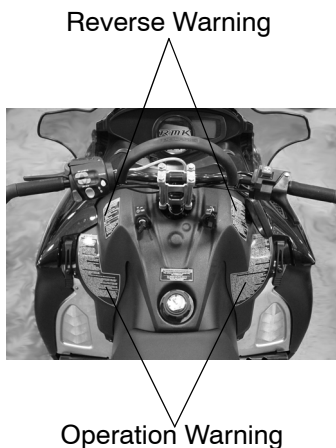
**Reverse operation, even at low speeds, can cause loss of control resulting in serious injury or death. To avoid loss of control, always:**

- Look behind before and while backing up.
- Avoid sharp turns.
- Shift to or from reverse only when stopped.
- Apply throttle slowly.

**NOTE: For more information, see Owner's Manual.**

**If electric reverse:**

- Machine stopped and engine at idle, push yellow button on LH control to reverse. Flashing light on dash indicates reverse operation.
- Push button again to return to forward.



### Operation Warning

The operation warning decal is located on the console of all Polaris snowmobiles.

#### WARNING

- To avoid serious injury or death, read and understand all warnings and the Owner's Manual before operation. If manual is missing, contact a Polaris dealer for a replacement.
- This vehicle is capable of high speeds. Buried objects or uneven terrain can cause loss of control. Reduce speed and use extreme caution when operating in unfamiliar terrain.

*(continued on next page)*

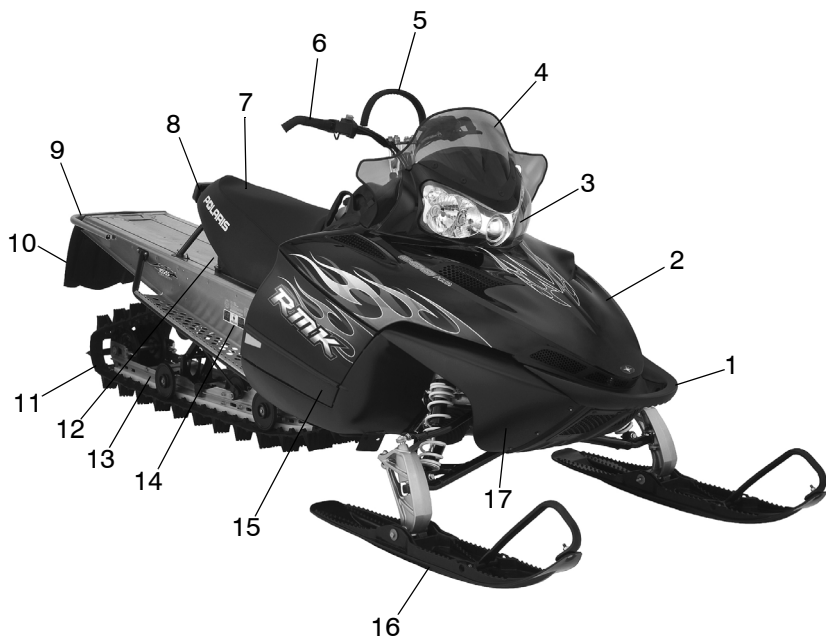
## Safety Decals and Locations Operation Warning

*(continued from previous page)*

- **Excessive speed, especially at night or with limited visibility, can result in insufficient time for you to react to terrain changes, to avoid unexpected obstacles, or to stop safely.**
- **Never consume alcohol or drugs before or while operating this vehicle.**
- **In an emergency, push down the Auxiliary Shut-Off Switch, located on the top of the throttle control assembly, to stop the engine. Then pull the brake lever to stop.**
- **Always wear an approved helmet, eye protection, and adequate clothing while operating this vehicle.**
- **This vehicle is designed for adult use only. Check local laws for age requirements.**
- **When operating with a passenger (on approved models only), reduce speed and allow extra space for steering and stopping. A passenger reduces your ability to control the vehicle.**
- **When operating on hard-packed snow, ice, or when crossing roads, steering and braking ability are greatly reduced. Reduce speed and allow extra space to turn or stop.**
- **To maintain vehicle control on ice or hard-packed surfaces, you should have a proper balance of ski carbides to track studs. See Owner's Manual for proper use of traction products.**
- **Repeated stops from high speed may cause fading or sudden loss of braking ability.**
- **Parking brake may relax when used for long periods. Do not leave brake engaged for more than five minutes.**
- **Before starting the engine, check throttle, brake, and steering for proper operation. Make sure hood is latched. Be seated and in position to control the vehicle.**

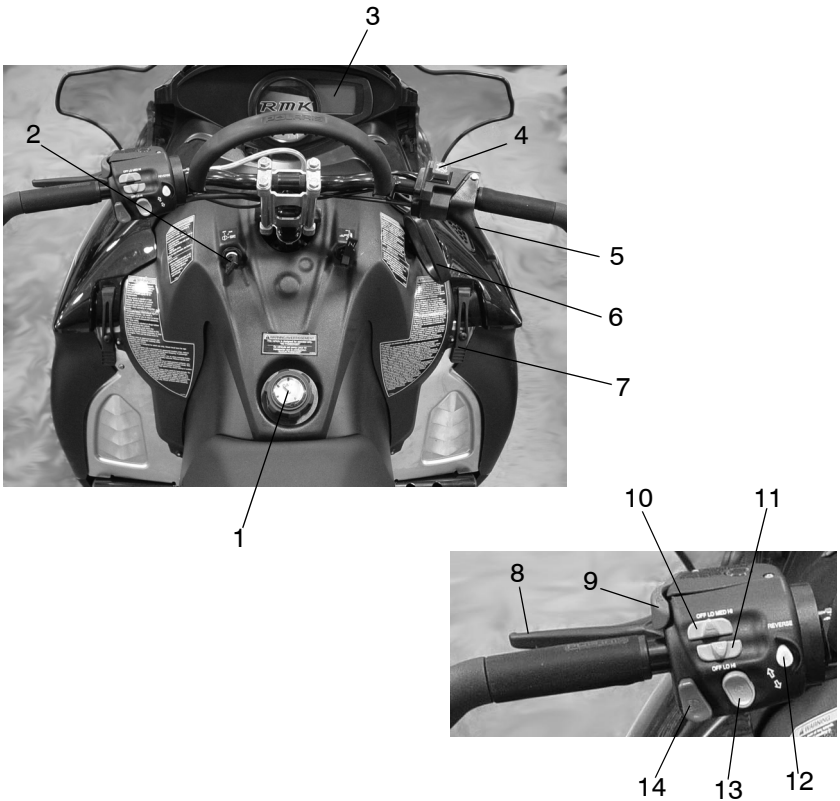
**Oil injection system: Use unmixed fuel only. Check oil level when refueling.**

# FEATURES



- |                               |                        |
|-------------------------------|------------------------|
| 1. Front Bumper               | 10. Snow Flap          |
| 2. Hood                       | 11. Track              |
| 3. Headlight                  | 12. Tool Storage (600) |
| 4. Windshield                 | 13. Suspension         |
| 5. Mountain Bar (if equipped) | 14. Tunnel             |
| 6. Handlebar                  | 15. Side Panel         |
| 7. Seat                       | 16. Ski                |
| 8. Taillights                 | 17. Nosepan            |
| 9. Rear Bumper                |                        |

# FEATURES



1. Fuel Filler Cap
2. Ignition Switch
3. MFD (Multi-Function Display)
4. Engine Stop Switch
5. Throttle Control
6. Recoil Starter Handle
7. Hood Hold-Down Straps
8. Brake Lever

9. Parking Brake
10. Handlebar Grip Warmer Switch
11. Thumbwarmer Switch
12. Electronic Reverse Button
13. MFD Control
14. Headlight Dimmer Switch

# FEATURES

## Accessory Cargo System

The maximum weight capacity for the rear cargo area is 15 lbs. (7 kg). Always secure cargo before operating. Do not exceed the cargo weight limit. Do not allow a passenger to sit on the seat back or the cargo area.

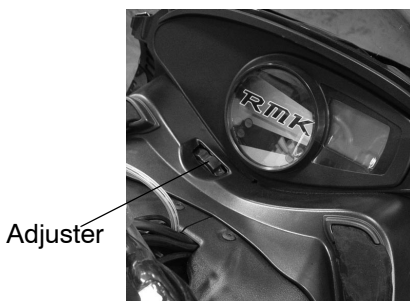
## Adjustable Steering

The adjustable steering system allows you to adjust the handlebar position to fit your style of riding. See page 47.

## Adjustable Headlights

Move the adjuster to the left to lower the headlight beam.

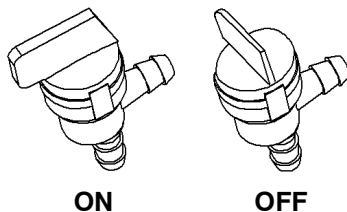
Move the adjuster to the right to raise the headlight beam.



## Fuel Valve (600 RMK)

The fuel valve is located under the hood. Turn the fuel valve off whenever the snowmobile is stored or parked.

1. Turn the valve clockwise to turn off the fuel supply.
2. Turn the valve counter-clockwise to turn on the fuel supply.



## Detonation Elimination Technology (DET)

A detonation sensor monitors the engine and responds to detonation by automatically reducing the engine timing and adding fuel. This results in decreased engine RPM and performance.

### DET Troubleshooting

Use this chart to determine causes and solutions for detonation. If none of these conditions exists and the sensor remains activated, see your Polaris dealer for diagnosis.

Possible Cause	Solution
Poor quality fuel	Replace with higher quality fuel
Improper engine modifications	Do not modify the engine

### Effect of DET

The DET system prevents damage to the engine from detonation while developing the maximum power of the engine safely. If the system senses detonation beyond a preset limit, it retards ignition timing and adds fuel to reduce the detonation and prevent engine damage.

When the detonation returns to a permissible level, the system will return spark and fuel to normal, allowing the engine to run at rated power levels.

### Sensor Fail-Safe

The DET includes a sensor fail-safe system to prevent the engine from damage if the sensor fails, becomes disconnected or is unable to detect detonation. The rider will experience a loss in power. The sensor must be reconnected or repaired to regain full power.

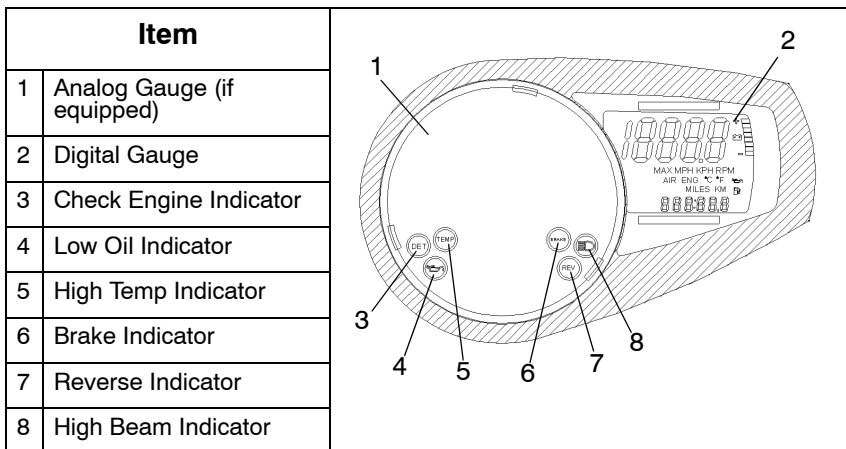
**NOTE:** The check engine light will flash six times if the sensor fails or becomes disconnected.



# FEATURES

## Instrumentation

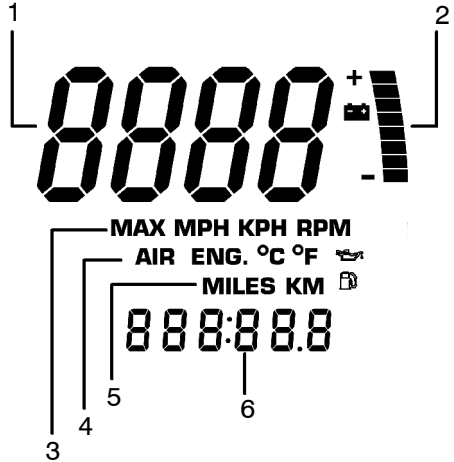
### MFD Component Identification



## Instrumentation

### Digital Display Identification

Item	
1	RPM or Speed Altitude (if equipped) Service Interval
2	Electrical System Voltage Level
3	MAX - Maximum MPH/ KPH or RPM MPH - Miles per hour KPH - Kilometers per hour RPM - Engine crankshaft revolutions per minute
4	Air Temp (if equipped) Engine Temp Degrees Celsius Degrees Fahrenheit
5	Miles Kilometers
6	Hours Trip 1/Trip 2/Trip F Service Label Altitude Label



# FEATURES

## Instrumentation

### MFD Settings

The MFD Control Switch allows you to set the MFD display to your preferences. The rocker switch has a MODE button (top) and a SET button (bottom). Specific instructions are outlined on the following pages.

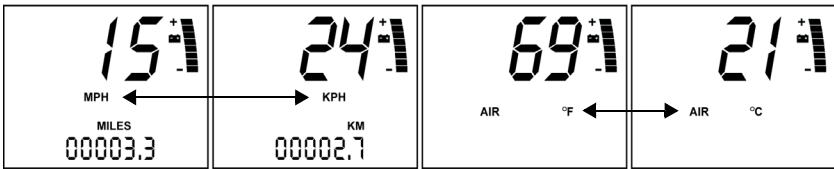
↑  
MODE  
  
SET  
↓



MFD Control Switch

### Standard vs. Metric

The MFD will display either standard or metric units of measurement. While viewing a screen that displays measurements (MPH, km/h or temperatures), press and hold the MODE switch until the unit of measurement changes (about 10 seconds).



### Speedometer/Tachometer

To change viewing preferences, press and hold the MODE button for three seconds. When the button is released, the new setting becomes active and screen colors change.

Option	Digital Display	Screen Backlight
1	RPM	Blue
2	Speed	Red

## Instrumentation

### MFD Digital Display Programs

Press and release the MODE button to cycle through the three MFD programs: Performance, Engine and History. Each program remains active until you cycle to the next program. While any program is active, press and release the SET button to cycle through the program's screens.

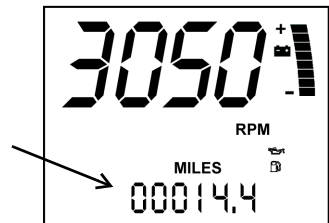
#### Performance Program

Press and release the MODE button until the performance program screen is active. The default display for this screen includes electrical system voltage, fuel level (if equipped) and either speed or tachometer, whichever is selected (see page 32).

Press and release the SET button to cycle through the following screens: odometer, trip 1 odometer, trip 2 odometer, fuel trip odometer (if fuel is low) and clock (if equipped). Use the following procedures to make changes to these screens.

#### Odometer Setting

The odometer records the vehicle's total distance traveled since manufacture. The odometer cannot be reset.



#### Trip Settings

Trip 1 and Trip 2 are odometers used to check fuel mileage or to keep track of distance traveled. Both odometers can be reset to zero.



1. Enter the Performance Program.
2. Press and release the SET button until the desired trip screen is active.
3. Press and hold the SET button for two seconds to reset the trip odometer to zero.
4. Press and release the SET button to view another trip screen if desired.

# FEATURES

## Instrumentation

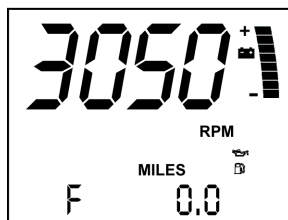
### MFD Digital Display Programs

#### Performance Program

##### Trip Settings

Trip F automatically displays when the fuel level is low if the snowmobile is equipped with an electronic fuel gauge. The fuel symbol and the last fuel bar on the MFD gauge (if equipped) will blink when the fuel level reaches 1/8 of a tank.

The Trip F odometer records distance traveled, and the fuel symbol continues to blink, until enough fuel is added to raise the level above 1/4 of a tank. The Trip F odometer will automatically reset to zero after refueling.



##### Engine Program

Press and release the MODE button until the engine program screen is active. The default display for this screen includes engine hours, electrical system voltage level, fuel level (if equipped) and either engine coolant temperature, air temperature (accessory) or altimeter (accessory).

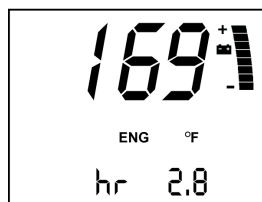
Press and release the SET button to cycle through the following screens: hour meter, engine temperature, air temperature (available as an accessory) and altimeter (available as an accessory).

##### Hour Meter

The hour meter records the total hours of engine operation since manufacture. This meter cannot be reset.

##### Engine Temperature

A thermometer measures water temperature, giving an indication of engine temperature.



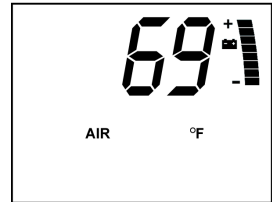
## Instrumentation

### MFD Digital Display Programs

#### Engine Program

#### Air Temperature (accessory)

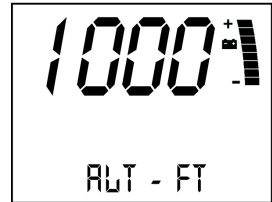
The MFD displays actual air temperature. Press and hold the MODE switch for ten seconds to switch between standard and metric units of measurement.



#### Altimeter (accessory)

The rider can calibrate the altimeter for current atmospheric conditions. Altimeter accuracy will be +/-300 ft. (91 m) after adjustment.

**NOTE:** When "ALT-FT" displays, the program is in the standard mode. If only "ALT" displays, the program is in the metric mode.



1. Enter the Engine Program.
2. Press and release the SET button until the altimeter screen is active.
3. Press and hold the SET button for five seconds.
4. When the digits begin to flash, release the SET button.
5. Press and release the SET button to advance the reading in 50-foot (15 m) increments, or press and hold the button to advance quickly. Adjust the altitude display to within 50 ft. (15 m) of the current altitude.

**NOTE:** The gauge reads barometric pressure and allows the rider to compensate for daily fluctuations in air pressure. The gauge can adjust the displayed altitude to +/- 1300 ft. (396 m) from the preset value. It will adjust up to +1300 ft. (396 m) above the calibrated altitude. Once the +1300 ft. (396 m) offset has been reached, the next adjustment is -1300 ft. (396 m) from the calibrated altitude, and 50 ft. (15 m) will be added to the altitude each time the SET button is pressed.

6. Press the MODE button to hold the reading at the adjusted value. If the MODE button is not pressed within five seconds, the gauge will automatically save the new setting.

# FEATURES

## Instrumentation

### MFD Digital Display Programs

#### History Program

Press and release the MODE button until the history program screen is active. This screen will always display electrical system voltage level and fuel level (if equipped).

Press and release the SET button to cycle through the following screens: maximum vehicle speed, maximum engine RPM and service interval reminder.

#### Maximum Speed/Maximum RPM

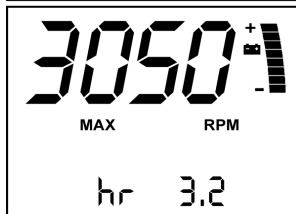
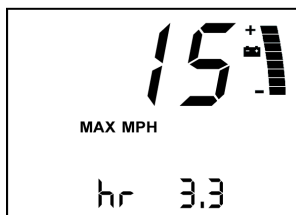
The gauge automatically logs the maximum speed and engine RPM even if the history program is not active in the display.

1. Enter the History Program.
2. Press and release the SET button until one of the two screens is active.

**NOTE:** The MPH and RPM values are both reset at the same time. Reset the values before each run to obtain accurate readings.

3. Press and hold the SET button for three seconds to reset the recorded maximum values for both MPH and RPM.

**NOTE:** Due to electrical noise, the MFD may occasionally display MAX MPH/RPM values that are not representative of actual values.



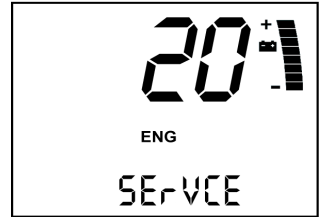
## Instrumentation

### MFD Digital Display Programs

#### History Program

#### Service Interval Reminder

The gauge logs the number of engine hours accumulated between service reminders. When the logged hours reaches the designated service interval (set by the user), the gauge provides a reminder that service is due. "SErVCE" will flash in the odometer area and "ENG" will flash in the icon area for five seconds each time the engine is started (until the service reminder is reset.) Use the following procedures to reset the reminder.



*To reset the reminder at the existing interval:*

1. Enter the History Program.
2. Press and release the SET button until the service interval screen is active.
3. Press and hold the SET button for *ten* seconds, continuing to hold even after the display begins to flash.
4. When the display stops flashing, release the button. The service interval has been reset.

*To reset the reminder at a new interval:*

1. Enter the History Program.
2. Press and release the SET button until the service interval screen is active.
3. Press and hold the SET button for *five* seconds, until the hours begin to flash. Immediately release the button.
4. Press the button again, up to five times, to advance the reminder in 20-hour increments.

**NOTE:** The maximum interval is 200 hours.

To disable the service interval reminder, press the SET button once after reaching 200 hours on the display. The gauge will display "OFF".



# FEATURES

## Instrumentation

### Gauge Cleaning

1. Wipe the gauge face as needed using a clean cloth and a mild soap and water solution. Wipe dry with clean, soft cloth.
2. Clean the back side of the gauge using a clean cloth and a mild soap and water solution. Do not remove the electrical connectors or protective rubber boot. Do not spray the back side of the gauge or the wire harness with a pressure washer or other water source.

<b>CAUTION</b>
To prevent damage to the lens, do not use alcohol for cleaning. Do not allow chemicals or sprays to contact the lens. Immediately clean off any gasoline that splashes on the gauge during refueling.

# THE PERFECT FIT

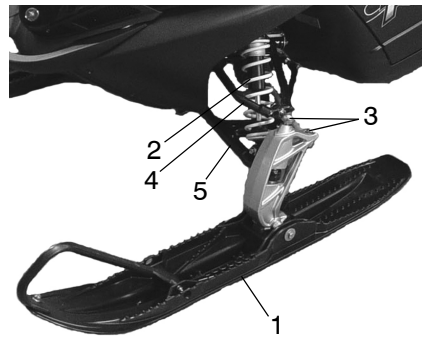
## IQ Front Suspension Adjustments Independent Front Suspension (IFS)

Break in the suspension for approximately 150 miles (240 km) before making any fine-tuning adjustments.

Settings will vary from rider to rider, depending on rider weight, vehicle speed, riding style, and trail conditions. We recommend starting with factory settings and then customizing each adjustment individually to suit rider preference. The snowmobile should be methodically tested, one change at a time, under the same conditions (trail and snow conditions, vehicle speed, riding position, etc.) after each adjustment until the best ride is achieved.

### IFS Components

1. Ski
2. Front shock and spring
3. Rod ends
4. Upper control arms
5. Lower control arms



### IFS Adjustment Options

- Shock spring preload
- Shock valving
- Optional springs
- Toe (ski alignment) (see page 106)
- Camber (see your dealer)

# THE PERFECT FIT

## IQ Front Suspension Adjustments

### **▲ WARNING**

Always verify ski alignment before making adjustments to the IFS. See page 106 to check alignment. If the skis are misaligned, see your dealer, as the camber adjustment may also be affected.

### **Air Shocks**

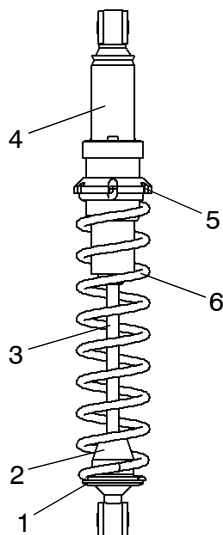
Walker Evans air shocks can be adjusted for preload and valving. Please see your Polaris dealer for these adjustments.

### **Standard Shocks**

The tension at which the shock coil spring is set is called spring preload. For the best ride, the suspension should be adjusted to use the full travel of the shocks with occasional light bottoming. To determine if your machine is using full travel, push the jounce bumper down on the shock rod until it contacts the body and test ride the machine. The bumper will move up on the rod in relation to the amount of travel that was used during the ride. If the travel is full, the bumper will be seated at the top of the rod.

### **Shock Absorber Components**

1. Retainer
2. Jounce Bumper
3. Shock Rod
4. Body
5. Threaded Spring Preload Adjuster Nut
6. Spring (Standard only)



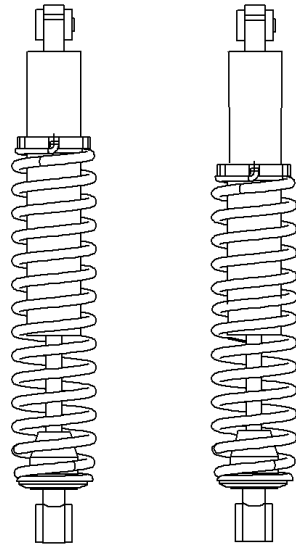
## IQ Front Suspension Adjustments

### Front Shock Spring Preload (RMK Premium Only)

Increasing spring preload will increase ski-to-ground pressure. Decreasing spring preload will decrease ski-to-ground pressure. When adjusting, be sure the springs on both the left and right sides of the machine are at the same adjustment.

To increase front shock spring preload, grasp the spring and turn it to the left. Turn it to the right to decrease preload.

Increasing the spring preload too much may adversely affect the handling of the snowmobile and the performance of the suspension. Never exceed one inch of preload beyond the factory settings, and ensure that both sides are adjusted the same. When decreasing preload, make sure at least two turns of preload are holding the spring between the retainer on top of the shock and the threaded spring preload adjuster nut on the shock body.



Low Preload

High Preload

### Front Shock Springs (Standard only)

The front springs can be changed if spring preload alone isn't sufficient and further adjustment is desired to control suspension stiffness. See your Polaris dealer for more information.

# THE PERFECT FIT

## Rear Suspension Adjustments

Rider weight, riding style, trail conditions, and vehicle speed all affect suspension action.

Each rear suspension can be adjusted to suit rider preference and deliver excellent performance for a given set of conditions. However, all suspension designs and adjustments involve a compromise, or trade-off. For example, a suspension set up for snow-cross racing would provide a very stiff ride on the trail. A suspension set up for trail riding would bottom out harshly on a snow-cross course.

Make adjustments to one area at a time so you can evaluate the change. For further assistance, see your dealer.

### Suspension Performance Tips

- Rider weight usually determines the position at which the spring preload should be set. However, this may vary with riding style. With a little experimentation, each rider can find a preferred set-up. These adjustments are easy to make, involve very little time or effort, and greatly affect the ride.
- In deep snow, a new rail slide will offer improved performance over a worn slide. It can also improve top speed.

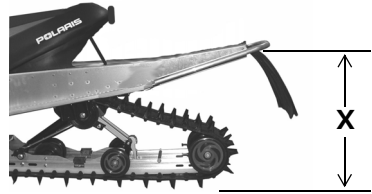
**NOTE:** Keep the suspension pivot points lubricated. This will reduce moisture and rust build-up and ensure proper function of the suspension components. Grease rear suspension pivots before adjusting the rear suspension. Refer to the suspension lubrication information beginning on page 76.

## Rear Suspension Adjustments

### Initial Spring Preload Setting (Sag Method)

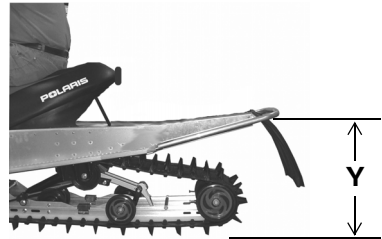
To set up the rear suspension torsion spring preload, measure the distance between the ground and rear bumper. This is measurement X.

Take this measurement with no rider and with the rear suspension at full extension.



**NOTE:** The rear bumper may need to be lifted upward slightly to fully extend the suspension.

Next, have the rider drop down hard on the seat and bounce up and down several times, collapsing the rear suspension. With the rider seated, measure the distance between the ground and the rear bumper at the exact location used for measurement X. This is measurement Y.



To determine sag, commonly referred to as ride-in, subtract measurement Y from X ( $\text{Sag} = X - Y$ ). Adjust sag by rotating the torsion spring preload cams located on the rear torque arm. See illustration. The ideal amount of sag for this rear suspension is five inches (12.7 cm) ( $X - Y = 5 \text{ in./12.7 cm}$ ).

If the rear suspension rides in less than four inches or more than six inches with the torsion spring preload cams at their maximum range of adjustment, optional torsion springs (softer or stiffer, respectively) may be required. This is only an initial setup, and final spring preload may vary based on rider preference and riding conditions.

# THE PERFECT FIT

## Rear Suspension Adjustments

### Torsion Spring Preload

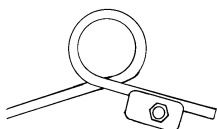
To adjust rear torsion spring preload, rotate the three-position cam using the engine spark plug tool. Different rate torsion springs are available if a firmer ride is desired. Contact your dealer for more information.

The following information is provided only as a guideline to be used for initial suspension set-up. Your set-up may vary based on your desired riding style.

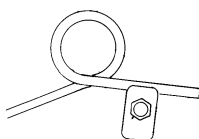
**Soft** (long end of cam to front)

**Medium** (short end of cam up)

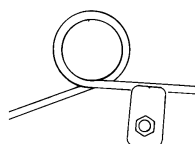
**Firm** (long end of cam up)



Soft



Medium



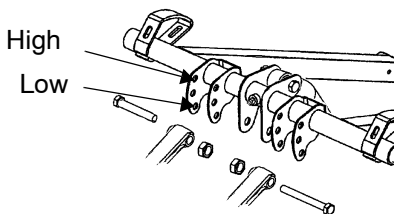
Firm

### Limiter Strap Position

The following information is provided only as a guideline to be used for initial suspension set-up. Your set-up may vary based on your desired riding style.

**High:** Limiter strap in high position increases ski pressure

**Low:** Limiter strap in low position decreases ski pressure



# THE PERFECT FIT

## Rear Suspension Adjustments

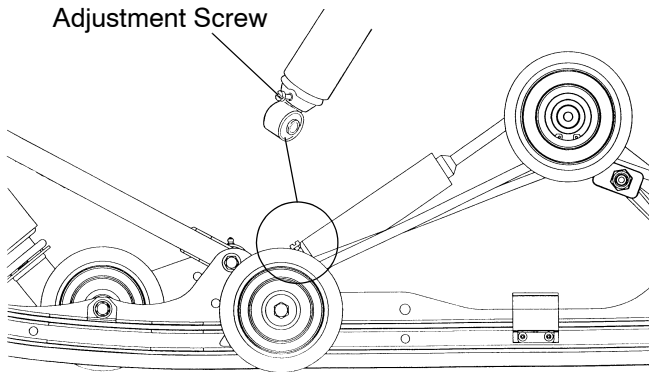
### Shock Compression Valving

#### RMK Standard Rear Track Shock

The standard RMK rear track shock is an Arvin MPV Select shock that allows for adjustments to the compression valving. Adjustments are made by turning the adjustment screw located near the base of the shock.

In half-turn increments, turn the screw clockwise to increase compression valving and stiffen the ride. Turn the screw counterclockwise to reduce compression and soften the ride. There are approximately three full turns of adjustment available.

If bottoming continues after the screw has been turned fully clockwise, the torsion spring should be adjusted (see page 44). Return the screw to its original starting position after the torsion spring has been adjusted.





# THE PERFECT FIT

## Handlebar Adjustments

### **WARNING**

Some aftermarket accessories (including windshields and cargo bags) may interfere with the handlebar. Such accessories could limit your ability to steer the vehicle and/or may contact the brake lever. This could lead to loss of control resulting in serious injury or death. Always be sure that accessories do not contact the handlebar or brake lever at any handlebar position.

Handlebar position and handlebar angle can be adjusted to rider preference. After making handlebar adjustments, check to make sure wires are not pinched or kinked. Make sure the handlebars, brake lever and throttle lever operate smoothly and do not hit the gas tank, windshield or any other part of the vehicle when the handlebars are turned fully to the left or right.

When adjustments are complete, torque the front adjuster block bolts first, then torque the rear bolts. Torque the bolts to 11-13 ft. lbs. (15-18 Nm).

## Handlebar Adjustments

### Handlebar Position

1. Loosen the four bolts on the bottom of the adjuster block.

**NOTE:** If necessary, pry the blocks apart with a screwdriver.

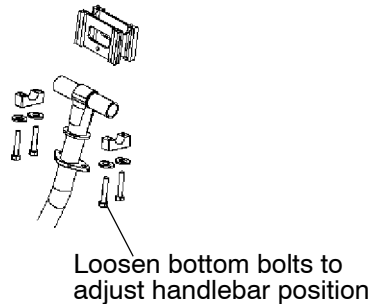
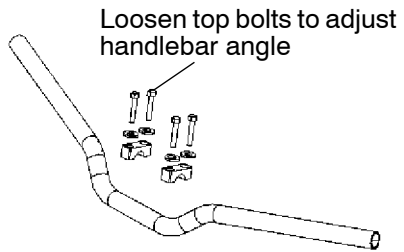
2. Adjust the handlebar forward or rearward to the desired position.
3. Tighten the bolts.

### Handlebar Angle

1. Loosen the four bolts on the top of the adjuster block.

**NOTE:** If necessary, pry the blocks apart with a screwdriver.

2. Adjust the handlebar forward or rearward to the desired angle.
3. Tighten the bolts.



# THE PERFECT FIT

## Accessories

Polaris offers a wide range of accessories for your snowmobile to help make each ride more enjoyable.

Use only Polaris parts and accessories on your Polaris snowmobile. Use of unapproved parts and accessories may result in:

- Non-compliance with government/industry requirements
- Voiding of warranty
- Injury to self or others

This applies, but is not limited to the following areas: brakes, clutches, fuel systems, and exhaust systems.

**NOTE:** Exhaust systems are critical safety areas that must use approved Polaris parts. Please see your Polaris dealer for service.

### Tether Switch

The accessory tether switch is available for all models. Order part number 2870668.

# PRE-RIDE INSPECTIONS

## Pre-Ride Checklist

Inspect all items on the checklist for proper operation or condition before each use of the snowmobile. Procedures are outlined on the referenced pages. Look for a checkmark (✓) on the referenced pages to locate the pre-ride inspection items.

<b>Item</b>	<b>See Page</b>
Drive Belt Condition	97
Steering System	53
Recoil Rope	51
Parking Brake Lock/Brake Lever/Brake System	51, 52, 91
Throttle Lever	50
Throttle Safety Switch	50
Auxiliary Shut-Off Switch (Engine Stop Switch)	55, 65
Ignition Switch	55, 65
Taillight/Brakelight/Headlight	55
Coolant Level	86
Gearcase Oil Level	N/A
Engine Oil Level	77
Suspension Mounting Bolts	54
Skags (Wear Bars)	107
Ski Saddle and Spindle Bolts	54
Hood Straps/Latches	50
Seat Latches (if equipped)	N/A
Rear Wheel Idler Bolts	54, 103
Tether Switch/Strap	55
Track Alignment/Condition	53, 104
Rail Slide Condition	108
Chaincase Oil Level	77
Oil Level	62

# PRE-RIDE INSPECTIONS

## Check Before Starting the Engine

### **WARNING**

Worn, damaged, or malfunctioning components may cause serious injury or death. Before starting the engine, check all components to be sure of proper operation.

### **Read and Understand Your Owner's Manual**

Read the Owner's Manual completely and refer to it often. The manual is your guide to safe and enjoyable snowmobiling experience.

#### **Throttle Lever**

The throttle and brake are the primary controls of your snowmobile. Always make sure both are functioning properly.

Squeeze the throttle lever to make sure it compresses evenly and smoothly. When released, the lever should immediately return to the idle position without binding or hesitation. If the throttle does not function smoothly, or if you discover excessive lever freeplay, **DO NOT** start the engine. Have the throttle serviced immediately.

#### **Throttle Safety Switch**

Test the throttle safety switch system before the snowmobile is operated. See page 63 for procedure.

#### **Hood Latches**

The hood of the snowmobile protects the operator from moving parts as well as aiding in sound emission control and other functions. Under no circumstances should your snowmobile be operated with the hood open or removed. Always ensure that the hood straps are in good condition and that the latches are securely in place before operating the snowmobile.

# PRE-RIDE INSPECTIONS

## Check Before Starting the Engine

### ✓ Recoil Rope

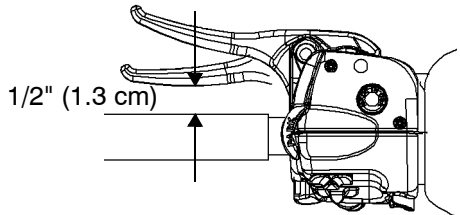
Inspect the recoil rope and handle for excessive wear, and make sure the knot securing the rope inside the handle is secure. If excessive wear is found, see your Polaris dealer for replacement.

### ✓ Brakes

Always check the following items for proper operation before starting the engine.

#### Brake Lever Travel

Squeeze the brake lever. It should move no closer to the handgrip than 1/2" (1.3 cm). A smaller distance indicates low brake fluid level or air in the hydraulic system. Refer to the brake bleeding information on page 94.



#### Brake Lever Feel

If the brake lever feels “spongy” when squeezed, check the brake fluid level and condition. Add fluid as needed. See page 93.

Check for the presence of air in the fluid system. See page 94 for more information, or see your dealer for service.

### **▲ WARNING**

Continued use of “spongy” brakes may cause a complete loss of brakes, which could result in serious injury or death. Always have the brakes serviced at the first sign of sponginess.

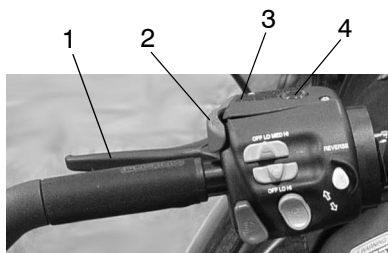
# PRE-RIDE INSPECTIONS

## Check Before Starting the Engine

### ✓ Parking Brake Lever Lock

Use the parking brake lever lock only when you want the snowmobile to remain stationary; for example, when parked on an incline for a period of five minutes or less.

1. Brake Lever
2. Parking Brake Lever Lock
3. Master Cylinder Reservoir/Cover
4. Fluid Level Indicator



### Lock Engagement

To engage the lock, squeeze the brake lever tightly and push forward on the lock. Hold the lock forward while releasing the brake lever.

**NOTE:** If the brake lever is squeezed tightly enough, the lock will move freely into place. Do not force the lock or it may break.

The parking brake light on the gauge will light up if the parking brake lever lock is set while the engine is running. It will also be lit when the service brake is in use. If the parking brake light does not come on when the parking brake or service brake is in use, have it serviced by your dealer.

### Lock Release

To release the lock, squeeze the brake lever tightly. The lock will return to the unlock position.

### **⚠ WARNING**

If the parking brake lever lock is partially or entirely engaged while riding, the brakes may overheat, resulting in brake damage. In extreme cases it could cause a fire, which could result in serious injury or death. Always ensure that the lever lock is completely disengaged before operating the snowmobile.

# PRE-RIDE INSPECTIONS

## Check Before Starting the Engine

### ✔ Steering System

Manually turn the skis completely to the right and to the left. If any difficulty is encountered, remove any ice and snow build-up that may be obstructing the steering linkage.

### ✔ Track Inspection

#### **WARNING**

Operating the snowmobile with a damaged track increases the possibility of track failure, which could cause loss of control resulting in serious injury or death. Always inspect the track for damage before using the vehicle.

Use of traction products such as studs increases the possibility of track damage and/or failure. Driving at high speeds for extended periods of time in marginal lubrication could severely damage track rods, break track edges and cause other track damage. Examples of marginal lubrication would include frozen bodies of water without snow cover, icy trails, and no-snow conditions.

**NOTE:** Track damage or failure caused by operation on ice or poor lubrication conditions voids the track warranty.

### **Deep Lug Tracks (if equipped)**

The 2.4" powder track is designed specifically for deep snow applications. Operation in low snow conditions at high speeds may cause track lug separation. Track lug separation is not covered under the Polaris limited warranty policy. **Polaris does not recommend operation above 70 mph with this track.**

#### **CAUTION**

High speed use on hard-packed surfaces is not recommended for models equipped with a deep lug track. Track lug damage may occur. Keep high speed use to a minimum, including frequent slow-speed intervals for track cooling.



# PRE-RIDE INSPECTIONS

## Check Before Starting the Engine

### ✓ Suspension Inspection

Loose nuts and bolts can reduce your snowmobile's reliability and cause needless repairs and down time. Before beginning any snowmobile trip, a visual inspection will uncover potential problems. Check the following items on a weekly basis or before any long trip.

Item	Check	Page
Suspension mounting bolts	Tightness	--
Rear idler wheel bolts	Tightness	103
Rear idler adjusting bolt locknuts	Tightness	--
Torque arm bolts	Tightness	--
Carrier and bogie wheel bolts	Tightness	--
Front torque arm limiter strap	Condition	--
Rail slide	Condition	108
Track	Tension	102
All rear suspension components	Lubrication	75
Ski runner/skag	Condition	--
Ski spindle bolts	Tightness	--
Tie rod end nuts	Tightness	--

# PRE-RIDE INSPECTIONS

## Check After Starting the Engine

### ✔ Engine Stop Switch

Check the auxiliary shut-off switch for proper operation. Push the switch down to stop the engine. Pull it up to allow restarting.

### ✔ Ignition Switch

Make sure the engine stops when the ignition switch is turned to OFF.

### ✔ Tether Switch

If your machine has a tether switch, remove the tether from the switch to make sure the engine stops immediately.

### ✔ Lighting

Check the headlight (high and low beam), taillight, and brake light. Replace burned out lamps before operating.

### ✔ Mirror Adjustment

If equipped, adjust your mirrors so they can be used to their full advantage.

### ✔ Operating Area

Before driving away, check your surroundings. Be aware of obstacles and make sure bystanders are a safe distance from the snowmobile.

# OPERATION

## Starting the Engine

### ⚠ WARNING

Before starting the engine, always refer to all safety warnings pertaining to snowmobile operation. Never start your snowmobile without checking all components to be sure of proper operation. See page 50.

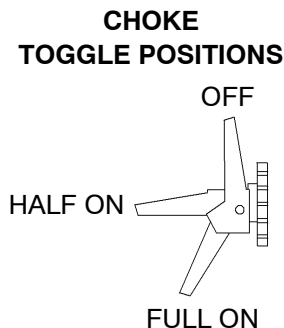
Do not depress the throttle until the engine starts.

1. Turn the key to the ON position.
2. Pull the engine stop switch up to the RUN position.
3. **Carbureted models:** Turn the fuel valve on. If the engine is cold, flip the choke toggle to FULL ON before cranking. After the engine starts, flip the toggle to the OFF position. If the engine slows or wants to stop, use intermittent choking to the HALF ON position.

**NOTE:** If the engine does not start after several attempts, *slightly* depress the throttle while cranking the engine. When the engine starts, *immediately* release the throttle.

4. Turn the key to START to crank the engine. Release the key to the ON position when the engine starts. If not equipped with electric start, grasp the starter handle and pull slowly until the recoil engages; then pull abruptly to crank the engine.
5. Repeat the cranking procedure as needed until the engine starts.

**NOTE:** It may require as many as eight to ten pulls to prime the fuel system and start the engine if the fuel tank has been completely emptied.



### ⚠ CAUTION

Don't pull the starter rope to the fully extended position and don't allow it to snap back into the housing. Damage may result. To avoid injury and/or engine damage, do not operate the electric starter or pull-rope starter while the engine is running.

## Engine Break-In

No single action on your part is as important to long, trouble-free machine life as proper break-in of a new or rebuilt engine. Premix the first tank of gasoline with one pint of Polaris injection oil for each five gallons of fuel. This, in addition to the lubrication supplied by the injection system, will assure proper engine break-in.

### CAUTION

Excessive heat build-up during the first three hours of operation will damage close-fitted engine parts. Do not operate at full throttle or high speeds for extended periods during the first three hours of use. Vary the throttle openings and machine speeds to reduce friction on all close-fitting machined parts, allowing them to break in slowly without damage.

Use of any lubricants other than those recommended by Polaris may cause serious engine damage. We recommend the use of Polaris lubricants for your vehicle.

Drive with extra caution during the break-in period. Perform regular checks on fluid levels, lines, and all other important areas of the machine.

# OPERATION

## Engine Break-In Oil Injection System

Always fill the oil reservoir when refueling.

### CAUTION

Serious engine damage can occur without the proper lubrication. Check the oil tank level often during the first tank of fuel. If the oil level doesn't go down, contact your dealer immediately.

## Oil Recommendations

This snowmobile is equipped with a variable exhaust system (VES). Engine lubrication comes from oil added to the fuel and oil injection systems. Polaris recommends the use of VES II 2 Cycle Oil for this engine. See page 112 for the part numbers of Polaris products.

Never mix brands of oil. Serious chemical reactions can cause injection system blockage, resulting in serious engine damage. Oils may also be incompatible and the result could be sludge formation, filter blockage, and reduced cold weather flow rates. All Polaris oils are compatible with each other.

## Slide Rail and Track Cooling

### CAUTION

Inadequate cooling and lubrication will lead to overheating of the slide rail and track, resulting in premature wear and failure. Reduce speeds and frequently drive into fresh snow to allow adequate cooling and polishing of the slide rail and track surfaces. Avoid operating on ice, hard-packed surfaces or roads.

## Track Warm-Up

### **⚠ WARNING**

A loose track or flying debris could cause serious injury or death. Stand clear of the front of the machine and the moving track. Never hold the snowmobile up or stand behind it while warming up the track. Do not use excessive throttle during warm-up or when the track is free-hanging. Be sure the rear support is stable.

### **⚠ WARNING**

Use of traction products such as studs, ice growers, etc. will increase the possibility of track damage and/or failure. This could cause loss of control, resulting in serious injury or death. Always inspect for track damage before operating the snowmobile.

Follow these steps to ensure proper warm-up of the engine, drive train and track.

1. Use an appropriate stand to securely support the rear of the snowmobile at the rear bumper. The track should be approximately 4" (10 cm) off the ground.
2. Start the engine and allow it to warm up two to three minutes.
3. Depress the throttle abruptly and allow the track to rotate several revolutions.

**NOTE:** It will take longer to warm up the track sufficiently during colder outdoor temperatures.

4. Release the throttle, apply the brakes, shut off the engine and lower the snowmobile to the ground.
5. Grasp the skis by their front loops and move them from side to side to loosen snow and ice.



# OPERATION

## Fuel Safety

### **WARNING**

Gasoline is highly flammable and explosive under certain conditions.

- Always exercise extreme caution whenever handling gasoline.
- Always refuel outdoors or in a well-ventilated area.
- Always turn off the engine before refueling.
- Do not overfill the tank. Do not fill the tank neck.
- Do not smoke or allow open flames or sparks in or near the area where refueling is performed or where gasoline is stored.
- If gasoline spills on your skin or clothing, immediately wash it off with soap and water and change clothing.
- Never start the engine or let it run in an enclosed area. Engine exhaust fumes are poisonous and can cause loss of consciousness or death in a short time.

### **WARNING**

The engine exhaust from this product contains chemicals known to cause cancer, birth defects or other reproductive harm. Operate this vehicle only outdoors or in well-ventilated areas.

## Fuel

For peak performance, Polaris recommends the use of 91 octane or higher fuel. Although 87 octane fuel is usable, some engine performance will be lost and fuel economy will decrease. Do not use lower than 87 octane fuel. *Do not use fuel containing more than 10% ethanol (including E85).*

### CAUTION

Operating with obstructed fuel systems will result in serious engine damage. Perform maintenance as recommended.

Damage to the fuel pump will occur if the snowmobile is operated with an empty fuel tank. Do not allow the snowmobile to run out of fuel. Always refuel when the level is low.

Prolonged exposure to petroleum based products may damage paint. Always protect painted surfaces when handling fuel.

## Fuel System Deicers

If you use non-oxygenated fuel, Polaris recommends the regular use of isopropyl-based fuel system deicer. Add one to two ounces per gallon (8-16 ml per liter) of gasoline to prevent engine damage resulting from fuel system icing and lean fuel mixtures. *Never use deicers or additives containing methanol.* Polaris also recommends the use of Carbon Clean Plus. See page 112 for the part numbers of Polaris products.

If you use oxygenated fuel containing ethanol, additional alcohol deicers or water absorbing additives should not be used.



# OPERATION

## Oil

### ✔ Low Oil Indicator Light

The low oil indicator light will alert the operator if the oil level is low. Visually check for oil in the bottle. Add oil before further operation of the snowmobile. See page 58 for oil recommendations.

CAUTION
Operating the snowmobile without adequate engine lubrication can result in serious engine damage. Always check the oil level when refueling. Add oil as needed.

### ✔ Low Oil Level

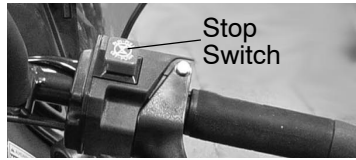
Maintaining the proper oil level will prevent system aeration and possible loss of pumping action, which could result in engine damage. This is especially important when the machine is operated in mountainous terrain.

Maintain the oil level at the bottom of the filler neck. Always check and fill the oil tank when refueling. Never operate the engine if oil is not visible in the tank.

**NOTE:** The Polaris oil cap on the oil bottle is vented to allow proper oil flow. See your Polaris dealer for recommended replacement parts.

## ✓ Engine Stop Switch

Push down on the engine stop switch to ground out the ignition and stop the engine quickly. Pull the switch up to the RUN position to allow restarting.



## ✓ Throttle Safety Switch

The throttle safety switch is designed to stop the engine whenever all pressure is removed from the throttle lever and the throttle cable or valves do not return to the normal closed position.

### **⚠ WARNING**

Operating the snowmobile with a faulty throttle safety switch can result in serious injury or death in the event of an accident. If the throttle safety switch does not shut off the engine during a throttle system malfunction, immediately push down the engine stop switch. Do not start the engine again until the malfunction has been corrected by your dealer.

Test the throttle safety switch system daily before operation.

1. Sit on the seat.
2. Start the engine and allow it to idle.
3. Hold the throttle lever pin stationary by exerting pressure on the pivot pin in the direction shown in the illustration.
4. Apply a slight amount of throttle. A properly functioning switch *must* shut down the engine.



# OPERATION

## ➤ Throttle Lever

### **WARNING**

An improperly functioning throttle lever may cause erratic machine behavior and loss of control, which could result in serious injury or death. If the throttle lever does not work properly, **DO NOT** start the engine.

If the engine stops abruptly when the throttle lever is released:

1. Turn the ignition switch to OFF.
2. Visually inspect the throttle cable and throttle body to determine what caused the safety switch to activate.
3. Test the throttle lever by compressing and releasing it several times. The lever and cable must return to the idle position quickly and completely.
4. If the throttle lever operates properly, turn the ignition switch on and go through normal starting procedures.
5. If the engine doesn't start, take the snowmobile to an authorized Polaris dealer for service.

**NOTE:** Excessive freeplay in the throttle cable may cause the safety switch to activate, preventing the engine from starting. If this occurs, return the snowmobile to an authorized Polaris dealer for service.

If an emergency exists and it's necessary to start the engine, the throttle safety switch and engine stop switch may be disconnected from the wire harness. When these switches are disconnected, the ignition key switch must be used to shut off the engine. **DO NOT** continue to operate the snowmobile with the throttle safety switch disconnected. Return the snowmobile to an authorized Polaris dealer for service as soon as possible.

## ✓ Emergency Stopping

The following chart lists methods for stopping the snowmobile in the event of an emergency. See page 63 for more information about the engine stop switch.

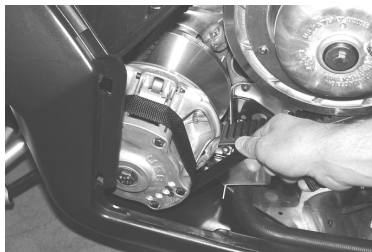
<b>SYSTEM</b>	<b>WHAT IT DOES</b>	<b>THROTTLE CONDITION</b>
Ignition Switch	Interrupts ignition circuit	All
Brake	Slows jackshaft	All
Engine Stop Switch	Interrupts ignition circuit	All
Choke (if equipped)	Floods engine	Half throttle or less
Throttle Safety Switch	Interrupts ignition circuit	All
Tether Switch (if equipped)	Interrupts ignition circuit	All

# OPERATION

## Emergency Starting

If the recoil starter system fails, an emergency start strap is provided in the tool kit.

1. Open the hood.
2. Remove the left side panel.
3. Using the belt removal tool, follow the directions on the air box to relieve belt tension.
4. Starting at one of the tower struts, wind the strap counterclockwise around the clutch as shown.



### **⚠ WARNING**

Serious injury can result from wrapping the start strap around your hand while using the emergency starting procedure. DO NOT wrap the start strap around your hand. Keep all bystanders and loose clothing away from the snowmobile when using the emergency starting procedure.

5. Pull the strap abruptly so the strap comes free of the clutch while starting the engine. Repeat until the engine starts.
6. Reinstall the air box and side panel.
7. Close and secure the hood.

## Electronic Reverse (PERC™)

Electronic reverse will activate only if the engine RPM is below 4000. The maximum engine RPM will be 6000 when in reverse.

### **⚠ WARNING**

Improper reverse operation, even at low speeds, may cause loss of control, resulting in serious injury or death. Damage will occur to the chaincase or transmission if shifting is attempted when the engine is operating above idle speed.

- Shift to or from reverse only when the snowmobile is stopped and when engine speed is at idle.
- Look behind the snowmobile before and while backing.
- Avoid sharp turns.
- Apply throttle slowly.

## Engaging Reverse

1. Stop the snowmobile and leave the engine idling.
2. Make sure the area behind your snowmobile is clear.
3. Push the yellow reverse button on the left-hand control for one second, then release. The engine will automatically reduce RPM and start a reverse rotation.



Reverse Button

**NOTE:** A reverse light on the instrument panel will indicate that the snowmobile is in reverse.

4. Apply the throttle slowly to make sure the snowmobile is in reverse.

**NOTE:** If the engine stops running, the snowmobile will be in forward gear when it's restarted.

## Disengaging Reverse

1. Stop the snowmobile and leave the engine idling.
2. Push the yellow reverse button for one second and release. The engine will slow and begin to rotate forward. The light on the instrument panel will shut off.
3. Apply the throttle slowly to make sure the snowmobile is in forward.

# OPERATION

## Daily Storage

At the end of each ride, park the snowmobile on a level surface and support it at the rear with an appropriate track stand. The track should be suspended approximately 4" (10 cm) off the ground.

Remove the key and cover the snowmobile.



## Towing

### **⚠ WARNING**

Objects towed with a rope have no braking power and can easily collide with the rear of the snowmobile or other objects, resulting in serious injury or death. DO NOT tow toboggans, sleds, saucers, or any type of vehicle with a rope. Only a stiff metal pole connecting the towed object and the tow hitch on the snowmobile should be used. If passengers are to be towed on a toboggan or sled, make sure the pole is at least four feet (1.2 meters) long to prevent any possibility of contact between the snowmobile's track and a person riding in the towed object.

Braking distances increase when towing loads. Slow down to maintain control of the snowmobile.

If the snowmobile becomes inoperable and must be towed, and if it isn't possible to use a rigid tow bar, attach the tow rope to the ski spindles (not to the ski loops) to prevent damage to the steering components. Remove the drive belt before towing, and have someone ride on the towed snowmobile to operate the brake and steering when necessary.

### **CAUTION**

Towing a disabled snowmobile with the drive belt in place can result in serious damage to the engine and drive system. Always remove the drive belt from a disabled snowmobile before towing.

## Emission Control Information

Any qualified repair shop or qualified person may maintain, replace, or repair the emission control devices or systems on your snowmobile.

### Emission Control Label

Your snowmobile is equipped at the time of sale with an emission control information (ECI) label and a factory-installed emissions information hangtag. These items are required by U.S. Environmental Protection Agency regulations. The ECI label is permanently affixed to either the right side of the tunnel or the engine recoil cover. The ECI label should not be removed, even after you purchase the snowmobile. You may remove the factory-installed emissions information hangtag, which is intended solely for your use in making a purchasing decision.

### Emission Control Maintenance Requirements

Your snowmobile is certified to operate on gasoline with a minimum octane level of 87 (R+M)/2. The emission control system designation per SAE J1930 is EM. If your snowmobile is equipped with a check engine light and it comes on, you must take your snowmobile to a qualified dealer for diagnostic service. Specifications and adjustments for engine tune-ups are located in the Service Manual, which is available to your qualified service technician. Reverse (if equipped) must not be engaged during engine tune-ups.



# **MAINTENANCE**

## **Emission Control Information**

### **Owner's Responsibilities**

Please read the Snowmobile Engine Emissions Limited Warranty on page 125, and read the maintenance section of your owner's manual. You are responsible for ensuring that the specified maintenance is performed, including the emission-related maintenance outlined in these sections of the manual.

You must inspect the air intake system on your snowmobile prior to each use (including the airbox foam filter and hood foam filters) and clean these components as necessary. Polaris considers the specified maintenance for the spark plugs, oil changes, air intake system and exhaust valves to be critical emission-related maintenance. The specified maintenance for the fuel filter is recommended additional emission-related maintenance. Polaris recommends that you contact an authorized Polaris dealer to perform any service that may be necessary.

# MAINTENANCE

## Polaris Recommended Maintenance Program

To ensure many trouble-free miles of snowmobiling enjoyment, follow recommended regular maintenance and perform service checks as outlined in this manual. Record maintenance and service in the Maintenance Log beginning on page 127.

The recommended maintenance schedule on your snowmobile calls for service and maintenance inspections at 150 miles (240 km), 500 miles (800 km) and 1000 miles (1600 km). These inspections should be performed by a qualified service technician. For continued optimum performance and component life, continue maintenance checks at 1000 mile (1600 km) intervals.

*All necessary replacement parts and labor incurred, with the exception of authorized warranty repairs, become the responsibility of the registered owner.* If, during the course of the warranty period, part failures occur as a result of owner neglect in performing recommended regular maintenance, the cost of repairs are the responsibility of the owner.

Personal safety is critical when attempting to service or make adjustments to your snowmobile. If you're not familiar with safe service or adjustment procedures and the use of tools, or if you don't feel comfortable performing these tasks yourself, contact an authorized Polaris dealer for service.

### CAUTION

Hot components can cause damage to plastic. Always make sure the exhaust system and engine have cooled before tipping the snowmobile on its side for service or inspection.

# MAINTENANCE

## Periodic Maintenance Interval Table

The following chart is a guide based on average riding conditions. You may need to increase frequency based on riding conditions. When inspection reveals the need for replacement parts, always use genuine Polaris parts, available from your Polaris dealer.

Item	See Page	Frequency				
		150 mi. (240 km)	500 mi. (800 km)	1000 mi. (1600 km)	2000 mi. (3200 km)	Pre-Season
<b>CLUTCH</b>						
Clutch Alignment Offset (without belt)	96		I	I	I	
Drive Belt Condition	97		I	I	I	I
Clutches (disassemble)	96		C	C	C	
Belt Tension	--		I	I	I	I
Clutch Sheaves	96		I	I	I	I
<b>ENGINE/COOLING</b>						
Engine Mounts	--		I	I	I	I
Recoil Rope	--		I	I	I	I
Engine Torque Stop	99		I	I	I	I
Cylinder Head Bolts	--		I	I	I	
Cylinder Base Nuts	--	I	I	I	I	
Ignition Timing BTDC	--		I	I	I	
VES System	--		C	C	C	I
Coolant Level	86		I	I	R	I
Water Pump Drive Belt (700)	--		I	I	R	
Coolant Hose	--		I	I	I	I
Heat Exchangers	89	I	I	I	I	I
Coolant Circulation	--		I	I	I	
Coolant Leaks	--		I	I	I	I
Spark Plug Condition	79	I	I	I	R	I
Exhaust Pipe	85				I	I
Exhaust Retaining Springs	85		I	I	I	I

I - Inspect (clean, adjust, tighten, lubricate, replace if necessary)

C - Clean    R - Replace    L - Lubricate

# MAINTENANCE

## Periodic Maintenance Interval Table

Item	See Page	Frequency				
		150 mi. (240 km)	500 mi. (800 km)	1000 mi. (1600 km)	2000 mi. (3200 km)	Pre-Season
<b>BRAKES</b>						
Hose Routing	--		I	I	I	I
Hose Condition	--		I	I	I	I
Fluid Leaks	--		I	I	I	I
Brake Pads	91		I	I	I	I
Brake Disc	--		I	I	I	I
Parking Brake	52		I	I	I	I
Brake System	51, 91					I
Brake Fluid	93				R	
<b>FUEL MANAGEMENT</b>						
Pilot Air Screws (600)	--		I	I	I	
Carburetor (600) (synchronize)	83		I	I	I	
Idle RPM	--		I	I	I	
Throttle Lever	50, 64	I	I	I	I	I
Oil Pump Lever (synchronize)	--		I	I	I	
Throttle Cable	76		L	L	L	
Choke Cable (600)	76		L	L	L	
Choke (600)	76		I	I	I	
Vent Lines	--		I	I	I	I
Throttle Position Sensor	--		I	I	I	
Fuel Lines	82	I	I	I	I	I
Fuel Filter	82			R	R	
Oil Filter	82			R	R	
Oil Lines	82			I	I	I
Air Box/Plenum	--	I	I	I	I	I
Fuel Injectors (700)	--		I	I	I	
Drain/Water Traps (600)	84		I	I	I	
<b>ELECTRICAL</b>						
Engine Stop Switch	63	I	I	I	I	I
Throttle Safety Switch	63	I	I	I	I	I
Ignition Switch	--	I	I	I	I	I
Taillight	55	I	I	I	I	I
Brakelight	55	I	I	I	I	I
Headlight	55	I	I	I	I	I

# MAINTENANCE

## Periodic Maintenance Interval Table

Item	See Page	Frequency				
		150 mi. (240 km)	500 mi. (800 km)	1000 mi. (1600 km)	2000 mi. (3200 km)	Pre-Season
<b>CHASSIS</b>						
Ski Toe Alignment	--		I	I	I	
Suspension Mounting Bolts	--	I	I	I	I	I
Steering Fasteners	--	I	I	I	I	C
Rear Suspension Fasteners	--	I	I	I	I	I
Walker Evans Air Shocks	--			<b>See your dealer for service at 1500 mi. (2000 km)</b>		
Suspension Shock Oil	--		I	I	I	I
Cooling Fins and Shroud	--		I	I	I	I
Drive Shaft Bearings	76		L	L	L	I
Jackshaft Bearings	109		L	L	L	I
Skags (Wear Bars)	107	I	I	I	I	I
Ski Saddle/Spindle Bolts	--	I	I	I	I	I
Drive Chain Tension	90	I	I	I	I	I
Hood Latches	50	I	I	I	I	I
Rear Wheel Idler Bolts	103	I	I	I	I	I
Idler Bolt Jam Nut	103	I	I	I	I	I
Rear Suspension Pivot Shafts	75		L	L		L
Camber Alignment	--		I	I	I	
Handlebar Centering	--					I
Tether Switch and Strap	55	I	I	I	I	I
Track Alignment	104	I	I	I	I	I
Track Tension	103	I	I	I	I	I
Front Limiter Strap	--	I	I	I	I	I
Rail Slide Condition	108					I
Chaincase Oil	77	I	I	I	R	I

I - Inspect (clean, adjust, tighten, lubricate, replace if necessary)

C - Clean      R - Replace      L - Lubricate

## Lubrication

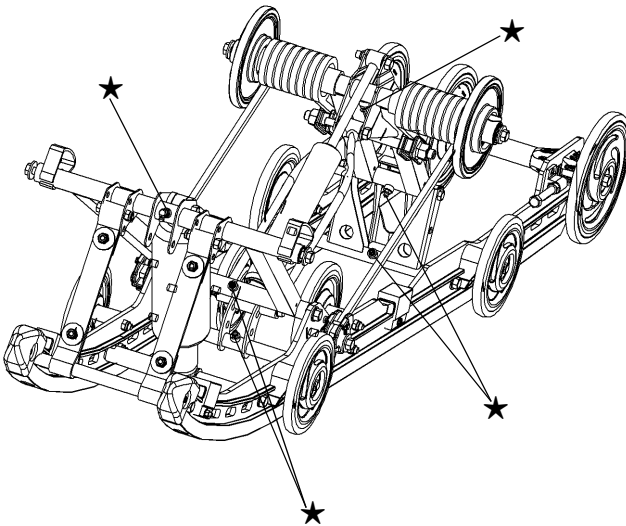
### Front Suspension

The front suspension does not require lubrication.

### Rear Suspension

Lubricate the suspension pivot shafts with Polaris Premium All Season Grease at the intervals outlined in the Periodic Maintenance Table beginning on page 72 and before seasonal storage. When operating in heavy, wet snow conditions, lubricate every 500 miles (800 km).

Lack of lubrication will adversely affect your ride and the life of the suspension. For more information about suspension lubrication and adjustments, see your Polaris dealer.

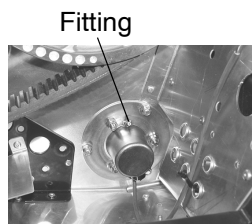


# MAINTENANCE

## Lubrication

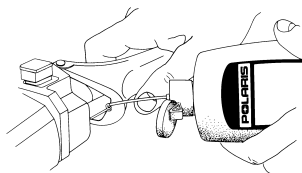
### Driveshaft Bearing

Inject grease into the fitting on the speedometer sensor housing until grease purges from the seal on the inside of the tunnel. This should take approximately two pumps. Do not use more than four pumps.



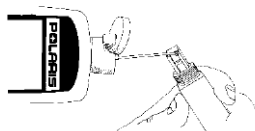
### Throttle Cable

Lubricate the throttle cable lightly with grease or oil. With the engine off, turn the handlebars to the left and lubricate liberally as shown.



### Choke and Choke Cable

Lubricate the choke slide and cables lightly with oil or grease. Before turning the engine off, operate the choke intermittently to draw moisture out of the choke plunger area and reduce the possibility of the choke becoming frozen.



## Lubrication

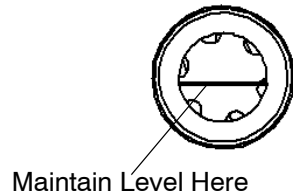
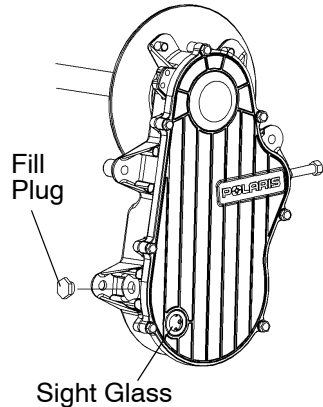
### ✓ Chaincase Oil

Check the chaincase oil level at the intervals outlined in the maintenance charts beginning on page 71. The sight glass is located on the lower rear of the chaincase. Maintain the oil level at or slightly below the center of the sight glass. Change the chaincase oil after the first 500 miles (800 km), then every 1000 miles (1600 km) or seasonally.

Polaris recommends the use of Polaris Synthetic Chaincase Lube. See page 112 for the part numbers of Polaris products.

### Oil Check

1. Position the vehicle on a level surface.
2. View the oil level at the sight glass.
3. Remove the fill plug and add the recommended oil as needed. Do not overfill.
4. Reinstall the fill plug, making sure it is seated properly.





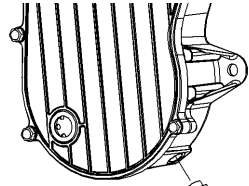
# MAINTENANCE

## Lubrication

### Chaincase Oil

#### Oil Change

1. Position the vehicle on a level surface.
2. Remove the drain plug and drain the oil into a drain pan. Allow the oil to drain completely.
3. Clean off all metal shavings from the plug.
4. Install a new sealing washer on the drain plug.



Drain Plug

**NOTE:** The sealing surfaces on the drain plug and the oil tank should be clean and free of burrs, nicks or scratches.

5. Reinstall the drain plug. Torque to 6-10 ft. lbs. (8-13 Nm).
6. Remove the fill plug. Clean off all metal shavings from the plug.
7. Add 11 oz. (325 ml) of the recommended oil. *Do not overfill.*
8. Reinstall the fill plug, making sure it is seated properly.

## Spark Plugs

Spark plug condition is indicative of engine operation. The spark plug firing end condition should be read after the engine has been warmed up and the vehicle has been driven at higher speeds. Immediately check the spark plug for correct color.

### **WARNING**

A hot exhaust system and engine can cause serious burns. Wear protective gloves when removing a spark plug for inspection.

**NOTE:** On carbureted models, incorrect fuel mixture can often cause a spark plug to appear too dark or too light in color. Before changing spark plug heat ranges, be sure the correct main jet is installed in the carburetor(s). Refer to the Owner's Manual Supplement or see your dealer.

### **Normal Spark Plug**

The normal insulator tip is gray, tan or light brown. There will be few combustion deposits. The electrodes are not burned or eroded. This indicates the proper type and heat range for the engine and the service.

**NOTE:** The tip should not be white. A white insulator tip indicates overheating, caused by use of an improper spark plug or incorrect carburetor/throttle body adjustments.

### **Wet Fouled Spark Plug**

The wet fouled insulator tip is black. A damp oil film covers the firing end. There may be a carbon layer over the entire nose. Generally, the electrodes are not worn. General causes of fouling are excessive oil, use of non-recommended injection oil, improper use of the choke, or incorrect carburetion adjustments.

# MAINTENANCE

## Spark Plugs

A new engine can cause temporary spark plug fouling due to the preservative added during the assembly process. Avoid prolonged idle speeds, which cause plug fouling and carbonization. Change the spark plugs every 2000-2500 miles (3200-4000 km).

### CAUTION

Using non-recommended spark plugs can result in serious engine damage. A spark plug with a heat range too high will always cause engine damage if the engine is operated in conditions more severe than intended for that plug. Always use the spark plugs recommended for your snowmobile. See your Owner's Manual Supplement.

- Use recommended spark plugs with the proper gap.
- Use only resistor-type spark plugs.
- Torque spark plugs to 18-22 ft. lbs. (24-30 Nm).
- Always carry spare spark plugs.

## Spark Plug Removal and Replacement

1. Remove the spark plug cap.
2. Using the special wrench provided in the tool pouch, rotate the spark plug counterclockwise to remove it.
3. Reverse the procedure for spark plug installation.
4. Torque to specification.
5. Reinstall the spark plug cap.

## Intake Filters

The intake foam filter limits snow ingestion into the intake system. When operating in loose powder snow, check the top of the foam filter periodically to remove any accumulation of snow.

Intake Foam Filters/Pre-filter



### CAUTION

Operating the 600 RMK with the intake filters removed may cause carburetor icing. The result will be poor fuel economy or carburetor malfunction. Always reinstall the intake filters before operating the snowmobile.

# MAINTENANCE

## Fuel Injectors (DRAGON RMK)

All fuel injector service must be performed by an authorized Polaris dealer. Do not attempt to clean or service the fuel injectors.

## Fuel Pump

All fuel pump service must be performed by an authorized Polaris dealer. Do not attempt to service the fuel pump.

## Fuel Filter

See your Polaris dealer for replacement of the fuel filter at the intervals outlined in the Periodic Maintenance Table beginning on page 72.

## Fuel Lines

Inspect the fuel lines regularly for signs of deterioration or damage. Always check fuel line condition after periods of storage. Normal deterioration from weather and fuel compounds may occur. Replace worn or damaged fuel lines promptly.

### CAUTION

Kinking the fuel lines or using a pliers or similar tools to remove fuel lines may cause damage to the lines. If a fuel line has been damaged or kinked, replace it promptly.

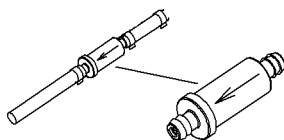
## Oil Lines

Inspect oil line condition at the intervals outlined in the Periodic Maintenance Table beginning on page 72.

## Oil Filter

Have your dealer change the oil filter and bleed the system at the intervals outlined in the Periodic Maintenance Table beginning on page 72.

**NOTE:** The direction of the arrows indicates the direction of flow through the filter.



## Carburetor (600 RMK)

The number stamped in the end of the main jet indicates the jet size. The jet installed at the time of manufacture is not necessarily correct for your elevation. It's your dealer's responsibility to make sure the correct main jet is installed.

### CAUTION

Operating the snowmobile with incorrect jetting can result in serious engine damage. Have your Polaris dealer perform all carburetor adjustments to ensure all adjustments are done correctly.

## Carburetor Adjustments (600 RMK)

The frequency at which the carburetors are synchronized or balanced is important. Properly adjusted carburetors can greatly improve engine performance, fuel economy, engine life, and reliability.

If you notice any of the following conditions, the carburetor may need adjustment:

- Hard starting
- Poor idle
- Overheated pistons and cylinder walls
- Plug fouling
- Poor engine response to various throttle valve openings

# MAINTENANCE

## Carburetor Water/Sediment Trap (600 RMK)

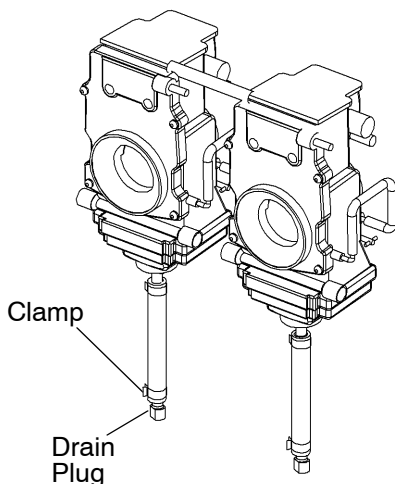
Most Polaris snowmobiles contain patented carburetor bowl water/sediment traps located at the bottom of each carburetor. The trap, consisting of a hose with a plug, should be drained about every 1000 miles (1600 km) and inspected for contamination.

### **⚠ WARNING**

When draining the traps, fuel spillage will occur. Always work in a well ventilated area away from anything that may cause the fuel to ignite, such as open flames, sparks, heaters, trouble lights, cigarettes, etc. Review the fuel warnings on page 60.

### **Cleaning Procedure**

1. Turn the fuel valve off.
2. Place a container or shop towels below the plug to catch drained fuel.
3. Slide the clamp away from the drain plug and remove the drain plug from the sediment tube.
4. Wipe residue from the plug and reinstall it. Reposition and tighten the clamp.
5. Repeat the draining procedure for any remaining traps.



## Exhaust System

Check the exhaust system for wear or damage at the intervals outlined in the Periodic Maintenance Table beginning on page 71.

<b>⚠ WARNING</b>
------------------

Hot exhaust system parts can cause serious burns. Allow adequate time for the exhaust system to cool. Never perform this procedure with the engine running.
---

Always allow the engine and exhaust system to cool completely before inspecting.

1. Open the hood and inspect the muffler and pipes for cracks or damage.
2. Check for weak or missing retaining springs or damper/support grommets.
3. Check for loose clamps on the pipe covers.



# MAINTENANCE

## Cooling System

### Coolant

The coolant supplied in the system is a 60/40 mixture of ethylene-glycol and distilled water. This mixture provides protection against freezing. Contact your dealer if greater protection is required.

Use Premium 60/40 anti-freeze coolant, which is already premixed and ready to use. Do not dilute with water. Never exceed a 60% antifreeze/40% water mixture. See page 112 for the part numbers of Polaris products.

**NOTE:** Never add tap water to the cooling system. Minerals cause deposits and may react adversely with the metals in the engine and cooling system.

### ✓ Coolant Level

The engine coolant level is controlled by the recovery system. The recovery system components are:

- Coolant bottle or overflow tank
- Filler neck
- Pressure cap
- Connecting hoses

Always maintain the coolant level between the minimum and maximum marks on the coolant bottle (when engine is cold) to prevent overheating and serious engine damage.

### CAUTION

Operating the snowmobile with insufficient coolant will result in overheating and serious engine damage. Always maintain the coolant level as recommended.

## Cooling System

### Coolant High Temperature Indicator Light

The high temperature indicator light will illuminate when engine coolant temperature becomes too hot for safe continued operation of the engine. If you must drive your snowmobile after the high temperature indicator light has come on, drive slowly and stop frequently to allow the engine to cool down. Driving in deep snow will also help cool the engine. See your dealer for service. Add coolant if the level is low.

**NOTE:** Engine performance will be reduced if you continue operating when the high temperature light is on.

### Flushing the Cooling System

To ensure that the coolant maintains its ability to protect the engine, drain the system completely every two years and add a fresh mixture of antifreeze and distilled water. This service must be performed when the engine is cold. Ask your Polaris dealer to check the coolant when he performs the fall tune-up on your snowmobile.

# MAINTENANCE

## Cooling System

### Bleeding the Cooling System

#### **WARNING**

Steam and hot liquids will cause serious burns to your skin. Never bleed the cooling system or remove the pressure cap when the engine is warm or hot.

Use of a non-standard pressure cap will not allow the recovery system to function properly. If the pressure cap needs replacement, contact your dealer for the correct part.

#### **CAUTION**

If coolant flow becomes restricted or plugged, coolant loss, air lock or engine damage may result. Most cooling systems are equipped with a filter that should be periodically inspected or replaced.

## Cooling System

### Bleeding the Cooling System

Bleed the cooling system at the intervals outlined in the Periodic Maintenance Table beginning on page 72. Perform the bleeding procedure when the engine is cold.

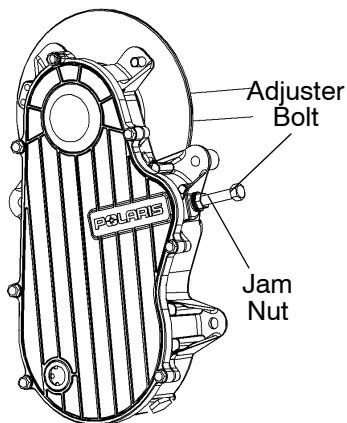
1. Remove the pressure cap and fill the coolant bottle with properly mixed coolant to the maximum mark.
2. Elevate the front end of the machine slightly to aid in bleeding of the heat exchangers.
3. Remove the bleed screw from the water outlet manifold and/or the thermostat housing. Allow the coolant to bleed through the system until it runs out the bleed holes. Reinstall the bleed screw into the manifold.
4. Add coolant to the coolant bottle to the maximum mark.
5. Start the engine and run at a fast idle for two to three minutes. Loosen the bleed screw occasionally to purge any trapped air.
6. Stop the engine and check the coolant bottle level. Fill as required.
7. Feel the heat exchangers under the running boards. If the system is bled properly, they'll be warm to the touch. If they're not, repeat step 5. Lift the front of the machine slightly to assist in the bleeding.
8. Replace the pressure cap and carefully lower the front end of the machine.

# MAINTENANCE

## Drive Chain Tension

Check drive chain tension weekly and before each long trip. To obtain correct chain tension:

1. Rotate the driven clutch counterclockwise to move all chain slack to the tensioner side. Lock the brake lever lock, or have an assistant hold the brake lever firmly.
2. Loosen the adjuster bolt jam nut.
3. Finger tighten the adjuster bolt until it can no longer be adjusted by hand, then back off 1/4 turn.
4. Tighten the jam nut while holding the adjuster bolt. Torque to 21 ft. lbs. (28 Nm).
5. Release the brake lever lock.



## Brakes

### ✓ Hydraulic Brake Inspection

Inspect the brake lever travel before each use of the snowmobile. See page 51.

Brake pads must be replaced when the brake pad material becomes thinner than the backing plate, approximately 1/16" (1.5mm). A kit is available for replacing brake pads. See your dealer.

<b>⚠ WARNING</b>
<p>Brake failure during operation can result in serious injury or death. Properly functioning brakes are vital to your safety. Be sure the brake pads do not drag on the disc and that brake lever travel is not excessive.</p> <p>Always replace brake pads when the brake pad material becomes thinner than the backing plate, approximately 1/16" (1.5mm).</p>

# MAINTENANCE

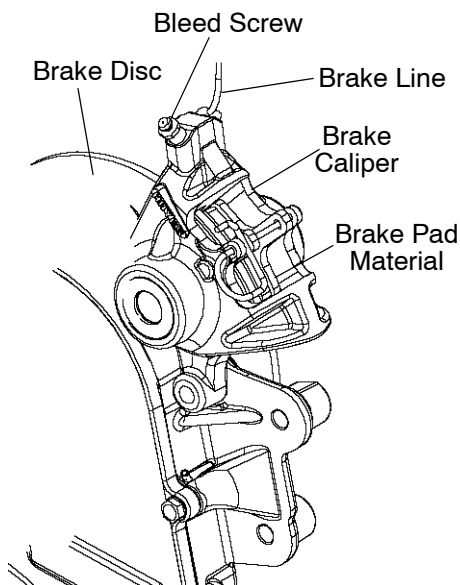
## Brakes

### Brake Components

- Brake Disc
- Bleed Screw
- Brake Line
- Brake Caliper
- Brake Pad Material -  
Replace when thickness is  
less than 1/16" (1.5mm).

### Excessive Lever Travel

Hydraulic brakes are self-adjusting, but if excessive brake pad clearance develops (see page 91) bring the snowmobile to an authorized Polaris dealer for inspection and adjustment.



## Brakes

### ✓ Brake Fluid

#### **⚠ WARNING**

After opening a bottle of brake fluid, always discard any unused portion. Never store or use a partial bottle. Brake fluid is hygroscopic, meaning it rapidly absorbs moisture from the air. The moisture causes the boiling temperature of the brake fluid to drop, which can lead to early brake fade and the possibility of accident or serious injury.

#### **⚠ WARNING**

Keep the master cylinder cover free of dirt and debris. The vent slits allow for diaphragm movement, and if they become plugged, movement of brake fluid below the diaphragm may be restricted, altering brake function.

#### **CAUTION**

Brake fluid will damage decals, paint and some plastics. Always wipe up spills immediately.

Replace brake fluid at least every two years with Polaris DOT 4 high temperature brake fluid. See page 112 for the part numbers of Polaris products.

The brake fluid level can be seen through a plastic sight glass in the brake reservoir. If the fluid is sufficient, the sight glass will be black. If the sight glass is any color other than black, add brake fluid.

Sight Glass





# MAINTENANCE

## Brakes

### Bleeding the Hydraulic Brake System

Air in the hydraulic brake system will cause spongy brake lever action. Bleed the system before operating the snowmobile.

#### **WARNING**

Operating the vehicle with a spongy brake lever can result in loss of brakes, which could cause an accident and lead to serious injury or death. Never operate the vehicle with a spongy-feeling brake lever.

During the bleeding procedure, keep the brake handle as level as possible. The reservoir must be in this position to minimize the possibility of air entering the system through the reservoir vent.

1. Remove brake master cylinder reservoir cover and gasket.
2. Fill the master cylinder reservoir to between the MIN and MAX marks or 1/4"-5/16" (.6-.8 cm) below the lip of the reservoir opening. Reinstall the gasket and cover.
3. Slip a rubber tube over the ball of the bleeder valve and direct the flow of fluid into an approved container.
4. Squeeze the brake lever a full stroke. Then unscrew the bleeder valve 3/4 of a turn to release air.
5. Close the bleeder valve and release the brake lever.
6. Repeat steps 4 and 5 until fluid flows from the bleeder valve in a solid stream free of air bubbles.

#### **WARNING**

Overfilling the master cylinder leaves no room for fluid expansion and may cause the brakes to lock, resulting in serious injury or death. Always add brake fluid to the fill line as recommended.

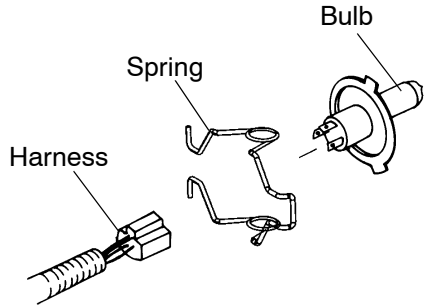
7. After bleeding is complete, refill the reservoir to the proper level. See page 93.
8. Reinstall the gasket and cover.

## Lights

### Removing Halogen Bulbs

**NOTE:** Do not touch a halogen bulb with bare fingers. Oil from skin leaves a residue, causing a hot spot that will shorten the life of the lamp. If fingers do touch the bulb, clean it with an alcohol-moistened towel.

1. Remove the plenum covering from the headlight assembly.
2. Lift the rubber boot to expose the bulb.
3. Push down on the spring to release it from the housing.
4. With the wire harness attached to the bulb, withdraw the bulb from the housing.
5. Grasp the bulb by its metal base and carefully separate the bulb from the harness.



### Installing Halogen Bulbs

1. Hold the bulb by its metal base and install it into the wire harness.
2. Insert the bulb into the housing.
3. Connect the spring to the housing.
4. Carefully flip the spring back into the housing, placing it around the wire harness.
5. Reinstall the plenum covering on the headlight assembly.
6. Adjust headlight aim. See page 28.

### Replacing Taillight Bulbs

1. Remove the screws securing the taillight lens.
2. Remove the bulb and install a new bulb.
3. Reinstall the lens.



# MAINTENANCE

## Clutch System

Periodically inspect clutch sheaves for damage, wear or belt residue. To maintain optimum performance, clean with non-oil based cleaners such as isopropyl alcohol.

### ⚠ WARNING

If you become aware of higher than normal clutch engagement or an unusual vibration or shift pattern, see your dealer immediately. Do not operate the snowmobile until repairs have been made.

All clutch maintenance and repairs must be performed by an authorized Polaris dealer. Any unauthorized modifications to clutches, such as adding or removing weights, will void the warranty.

### CAUTION

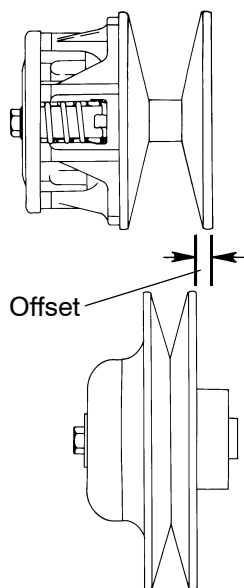
The bushings in the weights and rollers of Polaris clutches are made of a material that may be damaged if lubricated. Do not lubricate clutch bushings.

## Clutch Alignment and Offset

Clutch alignment offset is important for maintaining optimum performance. See your Owner's Manual Supplement for the recommended offset between the drive and driven clutches with the belt removed.

Belt width and length must match the center distance of the clutches and sheave width of the drive clutch. Polaris recommends the use of O.E.M. belts. Other belts may match the dimensions, but can drastically change the shift pattern, resulting in poor performance. See your dealer for service and adjustments.

**NOTE:** A worn belt will continue to function, but will not deliver maximum performance. Always carry a spare belt in case of an emergency.



## Clutch System

### ✔ Drive Belt Condition

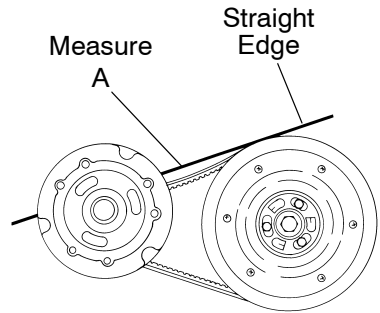
Periodically check the condition and tension of the drive belt, and always carry a spare. Inspect the belt for signs of excessive wear: frayed edges, missing cogs, cracks and excessive looseness. Replace the belt if any of these conditions exist. See Drive Belt Troubleshooting on page 117.

For improved drive-away during extremely cold temperatures, remove the belt and warm it to room temperature. Reinstall it before starting the snowmobile.

### ✔ Drive Belt Deflection

Measure belt deflection with both clutches at rest and in their full neutral position.

Place a straight edge on the belt and apply downward pressure while measuring at point A. This measurement should be 1 1/4" (3.2 cm).



## Drive Belt Adjustment

### TEAM Clutch

1. Install the L-wrench into the open threaded hole in the outer sheave of the clutch (see page 98). Turn the wrench clockwise *slightly* to remove pressure from the sheaves.
2. Loosen the 7/16" jam nut.
3. Using a 1/8" Allen wrench, turn the set screw inward (clockwise) to increase the distance between the sheaves or outward (counter-clockwise) to decrease the distance.
4. Tighten the jam nut. Store the L-wrench in the tool kit.

# MAINTENANCE

## Clutch System

### Drive Belt Removal

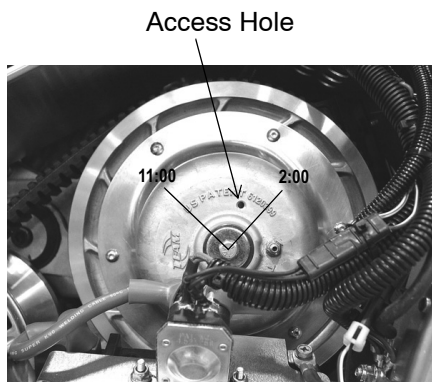
#### CAUTION

Do not attempt to remove the drive belt after operating in reverse. The snowmobile must be stopped after forward motion to prevent damage to components during belt removal.

1. Stop the engine after operating in a forward motion.

**NOTE:** For easier accessibility, make sure the clutch tool access hole is visible between the 11:00 and 2:00 positions of the clutch sheave.

2. Turn the ignition key off. Wait for the engine to come to a complete stop.
3. Lock the parking brake.
4. Open the hood.
5. Remove the left side panel.
6. Locate the L-wrench in the tool kit. Install the wrench into the open threaded access hole in the outer sheave of the clutch.
7. Turn the wrench clockwise until the sheaves open far enough to remove the belt.



## Clutch System Drive Belt Installation

1. Drop the drive belt over the drive clutch and pull back the slack.

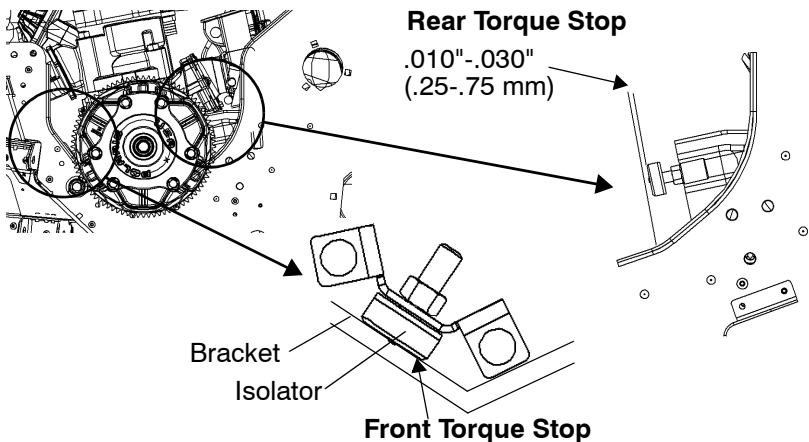
**NOTE:** To ensure satisfactory belt life, install belts so they operate in the same direction of rotation by positioning the identification numbers so that you can read them. If required, separate the sheaves as outlined in the belt removal procedures.



2. Rotate the L-wrench counter-clockwise to tighten the sheaves while working the belt to the outer edge of the sheaves.
3. Remove the wrench and store it in the tool kit.
4. Reinstall the side panel.
5. Close and secure the hood.

## Torque Stop

Periodically check torque stop clearance. With clutches in proper alignment, measure rear torque stop clearance from the engine case. Rear torque stop clearance should be  $.010''-.030''$  (.25-.75mm). The front torque stop should be firmly fitted against the bracket. Adjust if necessary. Secure the nut.



# MAINTENANCE

## Track Replacement

When replacing the track, always install a track having the lug size recommended for your model. See your Polaris dealer.

### CAUTION

Installing tracks with larger lugs on machines equipped with coolers will result in damage to the cooler or tunnel. Always install a track having the lug size recommended for your model.

## Track Inspection

### ⚠ WARNING

Broken track rods can cause a rotating track to come off the machine, which could cause serious injury or death. Never operate with a damaged track. Never rotate a damaged track under power.

1. Using a hoist, safely lift and support the rear of the snowmobile off the ground.
2. Rotate the track by hand to check for damage.
3. Carefully examine the track along the entire length of each rod. Bend the track to check for breakage.
4. Replace the track if any rod damage is found.



Rods

## Track Lubrication

### **WARNING**

Operating with insufficient lubrication between the rail slide and track guide clips can cause track failure, loss of vehicle control and loss of braking ability, which can result in serious injury or death.

Avoid operating for extended periods on ice and other surfaces that have little or no snow for lubrication.

The slide rail requires adequate snow cover for sufficient lubrication. Excessive wear indicates insufficient lubrication. A new rail slide can cause faster heat build-up in limited lubrication, resulting in excessive wear.

**NOTE:** Track damage or failure caused by operation on ice or under other poor lubrication conditions will void the track warranty.

### **CAUTION**

High speed use on hard-packed surfaces is not recommended for models equipped with a deep lug track. Track lug damage may occur. Keep high speed use to a minimum, including frequent slow-speed intervals for track cooling.



# MAINTENANCE

## Track Tension

### **WARNING**

Moving parts can cut and crush body parts. When performing the checks and adjustments recommended on the following pages, stay clear of all moving parts. Never perform track measurement or adjustments with the engine running.

Track adjustment is critical for proper handling. Always maintain correct tension and alignment.

### TRACK TENSION DATA CHART

Suspension	Weight	Measurement Location	Slack Measurement
IQ RMK	10 lbs. (4.54 kg)	16" (40 cm) ahead of rear idler shaft	3/8"-1/2" (1-1.3 cm)

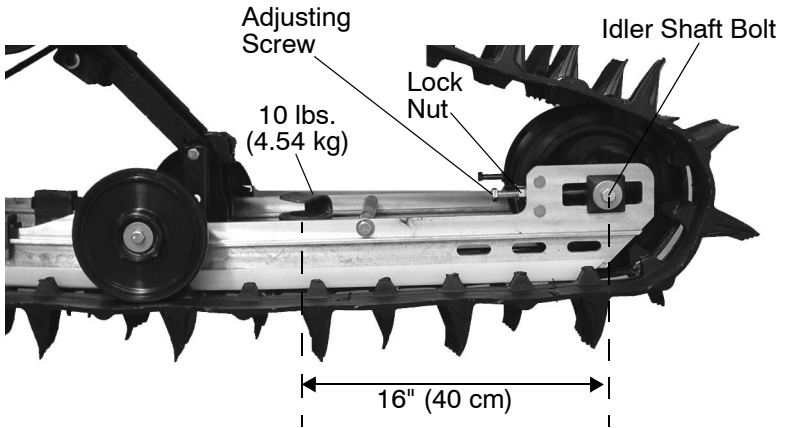
**NOTE:** Tension adjustments should be made only after the track is warmed up and limber.

1. Turn the engine off.
2. Lift the rear of the snowmobile and safely support it off the ground.
3. Place the recommended weight or downward pressure on the track at the specified distance (see chart) ahead of the center of the rear idler wheel.

**NOTE:** Measure at the point where the weight is placed.

4. Check for specified slack between the wear surface of the track clip and the plastic rail slide.

## Track Tension



If the track needs adjustment:

5. Loosen the rear idler shaft bolt.
6. Loosen the lock nuts.
7. Tighten or loosen the track adjusting screws as necessary to provide equal adjustment on both sides of the track.
8. Repeat the measurement on the other side of the track.

**NOTE:** Check more frequently when the snowmobile is new.

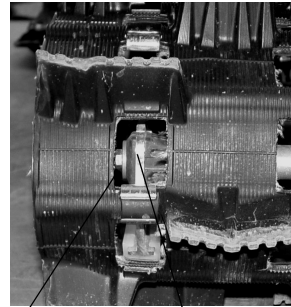
9. Start the engine and slowly rotate the track at least five revolutions. Let the track come to a stop (do not apply brakes).
10. Check track alignment (see page 104) and adjust as necessary.
11. Tighten the lock nuts.
12. Tighten the idler shaft bolts. Torque to 35 ft. lbs. (47.5 Nm).

# MAINTENANCE

## ✔ Track Alignment

Periodically check that the track is centered and running evenly on the slide rails. Misalignment will cause excessive wear to the track and slide rail.

1. Safely support the rear of the snowmobile with the track off the ground.
2. Start the engine and apply a small amount of throttle until the track turns slowly at least five complete revolutions. Stop the engine and let the track come to a stop (do not apply brakes).
3. Inspect track alignment by looking through the track window to make sure the rails are evenly spaced on each side. If the track runs to the left, loosen the left locknut and tighten the left adjusting bolt. If the track runs to the right, loosen the right locknut and tighten the right adjusting bolt.
4. After adjustments are complete, tighten the locknuts and torque idler shaft bolts to 35 ft. lbs. (47.5 Nm).
5. Repeat steps 2 and 3 to verify proper alignment.



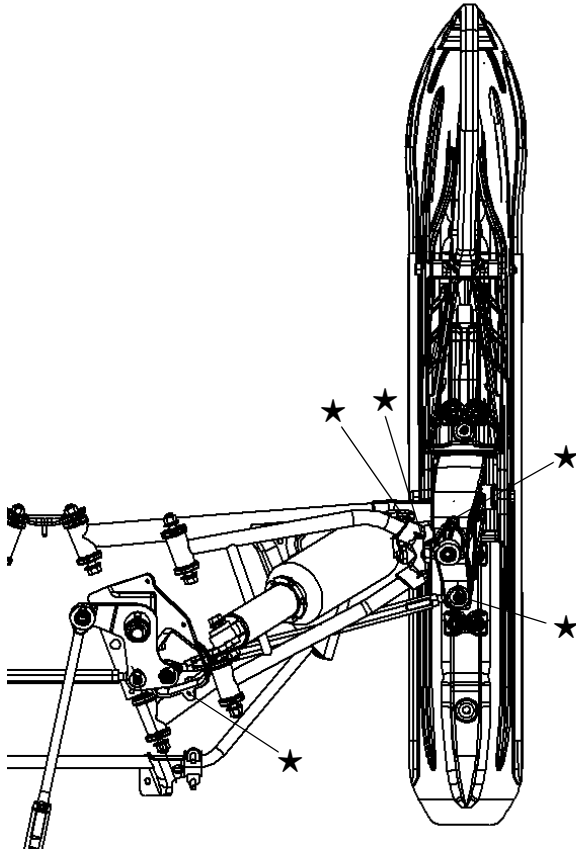
Window

Rail

## Steering System

### Steering Inspection and Adjustment

Check all steering system fasteners weekly and before a long ride.  
Tighten any loose fasteners.



# MAINTENANCE

## Steering System

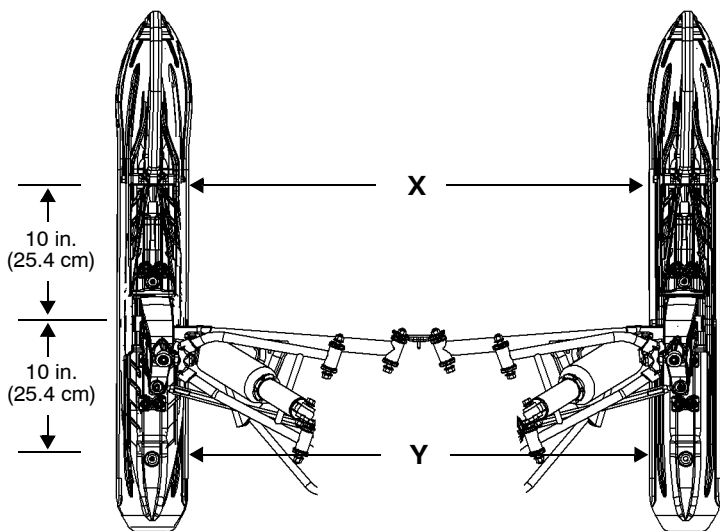
### Ski Alignment

#### **⚠ WARNING**

Improper ski alignment or adjustment may cause loss of steering control, resulting in serious injury or death. Do not attempt to change the ski alignment or camber adjustment. See your Polaris dealer.

With the handlebars in a straight ahead position, and with vehicle weight compressing the suspension, measure from the straight edge of the skis at the center of the ski mounting bolt. The measurement between the skis at point X should be  $1/8''$  to  $1/4''$  (3-6 mm) greater than the measurement at point Y.

**NOTE:** If the skis are misaligned, we recommend that your dealer correct the alignment, since camber adjustment may also be affected.



## Steering System

### ✓ Ski Skags

#### **⚠ WARNING**

Worn skis and/or skags will adversely affect handling. Loss of vehicle control may result, causing serious injury or death.

See your dealer's studding chart for recommended skags. If you install longer or more aggressive carbide skags than the original equipment, it may also be necessary to add track studs to maintain proper vehicle control while turning on hard-packed snow or ice.

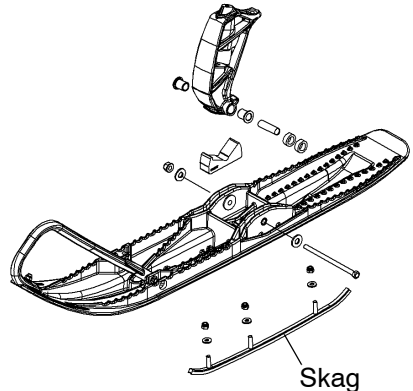
Check skags before each use of the snowmobile to ensure positive steering characteristics. Skags must be replaced when worn to half their original diameter.

**NOTE:** Carbide skags must be replaced if any abnormal wear or chipping is found.

### Skag Replacement

**NOTE:** Some models are equipped with single skags. Other models are equipped with dual skags.

1. Raise and support the front of the snowmobile so the skis are approximately 6" (15 cm) from the ground.
2. Remove the attaching nuts and pry the skag downward.
3. Remove the front end of the skag.
4. Remove the rear end of the skag.
5. Reverse the steps to install a skag.

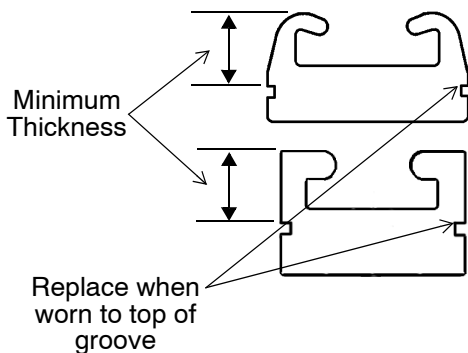


# MAINTENANCE

## Steering System

### ✓ Rail Slide Wear

For ease of inspection, all Polaris rail slides have a wear limit indicator groove to indicate the minimum permissible slide thickness. Replace the rail slides if they are worn to the top of the groove at any point along their length. Failure to do so may result in permanent damage to the track or rails.



## Extended Storage

Off-season or extended storage of your snowmobile requires preventive measures to aid against deterioration and to prolong the useful life of many components. See page 112 for the part numbers of Polaris products.

## Cleaning and Preservation

Proper storage starts with cleaning, washing, and waxing the hood, chassis, and plastic parts. Wipe down remaining surfaces with a damp cloth. Clean and touch up with paint any rusted or previously painted surfaces. Be sure that corrosive salt and acids are removed from surfaces before beginning preservation with waxes and rust inhibitors (grease, oil or paint).

The snowmobile should be stored in a dry garage or shed, out of direct sunlight, and covered with a fabric snowmobile cover. Plastic tarp may cause condensation to form and damage snowmobile components.

## Controls and Linkage

Lubricate all bushings, spindle shafts, tie rod ends and cables as outlined in the Periodic Maintenance Table beginning on page 72.

## Bearings

Grease the jackshaft and drive shaft clutch side bearings with Polaris Premium All-Season Grease or a similar high quality grease to prevent corrosion.

## Clutch and Drive System

Remove the drive belt and store in a cool dry location. Do not lubricate clutch components, except the driven clutch shaft bushing as outlined in the Master Repair Manual. See your dealer.



# MAINTENANCE

## Extended Storage

### Engine and Carburetor Protection (600 RMK)

Proper preparation of the engine and fuel system is vital to the prevention of rust and corrosion on precision engine parts during storage. Whenever the machine is stored for a period of more than 60 days, the engine must be fogged with fogging oil. Follow the engine fogging instructions provided on the container.

Always add Premium Carbon Clean or a fuel conditioner/stabilizer to the fuel tank. Follow the instructions on the container, running the engine for five minutes to get additives through the entire fuel system. Top off with fresh fuel. *Do not allow the snowmobile to run out of fuel.*

If stabilizer is not used, drain the carburetors by removing the water trap drain plugs. See page 84.

Jet restriction caused by improper storage can cause lean conditions and very poor slow speed driving quality.

### Engine Protection (DRAGON RMK)

Proper preparation of the engine and fuel system is vital to the prevention of rust and corrosion on precision engine parts during storage. Whenever the machine is stored for a period of more than 60 days, the engine must be fogged with fogging oil. Follow the engine fogging instructions provided on the container.

**NOTE:** Do not spray fogging oil into the plenum. Remove the plenum and spray the fogging oil into the boost box. Continue spraying until the engine stops.

Always add Premium Carbon Clean or a fuel conditioner/stabilizer to the fuel tank. Follow the instructions on the container, running the engine for five minutes to get additives through the entire fuel system. Top off with fresh fuel. Do not allow the snowmobile to run out of fuel. See page 68.

## **Extended Storage**

### **Electrical Connections**

Replace worn or frayed electrical wire and connectors. Be sure wiring harness is properly secured away from sharp edges, steering linkage, moving parts, and hot exhaust parts.

### **Track and Suspension**

Moderate track tension should be maintained during summer storage. The machine should be supported off the ground to allow the track to hang freely.

## **Transporting the Snowmobile**

Whenever the snowmobile is transported:

1. Turn the fuel valve off. See page 28.
2. Be sure the fuel cap and oil cap are installed correctly.
3. Always tie the snowmobile to the transporting unit securely using suitable straps.
4. Remove the ignition key to prevent loss.

# POLARIS PRODUCTS

Part No.	Description
<b>Engine Lubricants</b>	
2870791	Fogging Oil (12 oz. Aerosol)
2871098	Premium 2-Cycle Engine Oil (qt.)
2871097	Premium 2-Cycle Engine Oil (gal.)
2871240	Premium 2-Cycle Engine Oil (2.5 gal.)
2871721	Premium Gold Synthetic 2-Cycle Engine Oil (qt.)
2871722	Premium Gold Synthetic 2-Cycle Engine Oil (gal.)
2872347	Premium Gold Synthetic 2-Cycle Engine Oil (2.5 gal.)
2874438	VES II Synthetic 2-Cycle Engine Oil (qt.)
2874439	VES II Synthetic 2-Cycle Engine Oil (gal.)
2874443	VES II Synthetic 2-Cycle Engine Oil (2.5 gal.)
<b>Chaincase Lubricants</b>	
2873105	Synthetic Chaincase Lubricant (qt.)
2872951	Synthetic Chaincase Lubricant (12 oz.)
<b>Grease/Specialized Lubricants</b>	
2871312	Grease Gun Kit, Premium All Season (3 oz.)
2871322	Premium All Season Grease (3 oz. cartridge)
2871423	Premium All Season Grease (14 oz. cartridge)
2871329	Dielectric Grease (Nyogel™)
<b>Coolant</b>	
2871323	Anitfreeze, 60/40 Premix (gal.)
2871534	Anitfreeze, 60/40 Premix (qt.)
<b>Additives/Miscellaneous</b>	
2871326	Carbon Clean Plus (12 oz.)
2870652	Fuel Stabilizer (16 oz.)
2872189	DOT 4 Brake Fluid (12 oz.)
2872893	Engine Degreaser (12 oz.)
2870505	Isopropyl
2872889	Brake and Clutch Cleaner
2872890	Carb and Throttle Body Cleaner

# TROUBLESHOOTING

## Engine Troubleshooting

Unless you have experience and training in two-cycle engine repair, see your dealer if technical problems arise.

Problem	Probable Cause	Solution
Erratic engine operating RPM during acceleration or load variations	Drive clutch binding	• SEE YOUR DEALER.
	Driven clutch malfunction	• SEE YOUR DEALER.
Harsh drive clutch engagement	Drive belt worn or too narrow	• Replace the drive belt.
	Excessive belt/sheave clearance	• SEE YOUR DEALER.
Drive belt turns over	Wrong belt for application	• Replace the drive belt.
	Clutch alignment out of spec	• SEE YOUR DEALER.
	Engine mount broken or loose	• Inspect and replace. SEE YOUR DEALER.
Machine fails to move	Clutch jammed	• Check for twisted belt or broken spring. SEE YOUR DEALER.
	Track jammed	• Foreign object may be caught or the rail slide melted to the track clips due to lack of lubrication. • Track may be iced up or frozen to the ground.
	Chaincase sprocket or chain jammed or broken	• Chain is loose or broken or chain tightener is loose. SEE YOUR DEALER.

# TROUBLESHOOTING

## Engine Troubleshooting

Problem	Probable Cause	Solution
Noise in drive system	Broken drive clutch components	• SEE YOUR DEALER.
	Bearing failure/chaincase, jackshaft, or front drive shaft	• SEE YOUR DEALER.
	Drive belt surface flat spots	• Inspect and replace as needed.
	Drive chain loose	• Inspect and adjust (or replace).
	Drive chain worn, sprocket teeth broken	• SEE YOUR DEALER.
Poor low RPM performance	Worn drive belt	• Inspect and replace as needed.
	Excessive belt/sheave clearance	• SEE YOUR DEALER.
	Loose torque stop	• Inspect and adjust.
	Sticky clutch	• SEE YOUR DEALER.
	Poor fuel quality	• Use 87-91 octane fuel (or higher).
Engine doesn't turn	Seized engine	• SEE YOUR DEALER. Seizure is a result of poor lubrication, inadequate fuel supply, broken parts or improper cooling.
	Hydrostatic lock	• Fuel may have entered the crankcase while the vehicle was standing or being transported. SEE YOUR DEALER to correct the cause. Drain plug(s) are located on the lower crankcase for emergency draining.

# TROUBLESHOOTING

## Engine Troubleshooting

Problem	Probable Cause	Solution
Engine turns but fails to start	Faulty ignition	<ul style="list-style-type: none"><li>• Install new spark plug(s). If engine still fails to start, check for spark. If there's no spark, SEE YOUR DEALER.</li></ul>
	No fuel to engine	<ul style="list-style-type: none"><li>• Make sure the fuel valve is on.</li><li>• Use the choke. See page 56.</li><li>• Make sure the fuel tank contains fuel.</li><li>• Ice may be in the fuel line, filter or pump. Add isopropyl alcohol to the fuel system.</li></ul>
	Poor engine compression	<ul style="list-style-type: none"><li>• Mixture is too lean. A main jet that is too small will cause seizure resulting in loss of power. This indicates a major engine problem that must be repaired before operating. SEE YOUR DEALER.</li></ul>
Engine lacks power	Fouled or defective spark plug(s)	<ul style="list-style-type: none"><li>• Replace the plug(s).</li></ul>
	Fuel filter (loss of high RPM power)	<ul style="list-style-type: none"><li>• SEE YOUR DEALER.</li></ul>
	Incorrect clutching	<ul style="list-style-type: none"><li>• SEE YOUR DEALER.</li></ul>
	Carburetor and fuel pump	<ul style="list-style-type: none"><li>• There is no adjustment to change power output. SEE YOUR DEALER.</li></ul>
Engine continually backfires	Faulty plug(s)	<ul style="list-style-type: none"><li>• Change plug(s).</li></ul>
	Carburetor / Fuel System	<ul style="list-style-type: none"><li>• Dirt or ice may be in the fuel system (deicer should be added to non-ethanol fuel at all times for assurance against fuel line icing).</li></ul>
	Incorrect throttle freeplay or faulty switch	<ul style="list-style-type: none"><li>• SEE YOUR DEALER.</li></ul>
Engine requires more than normal pulls to start	Poor fuel	<ul style="list-style-type: none"><li>• Replace with fresh winter fuel.</li></ul>
	Not enough fuel getting to engine	<ul style="list-style-type: none"><li>• SEE YOUR DEALER.</li></ul>
Engine backfires but fails to start	Spark plug wires may be on wrong cylinder	<ul style="list-style-type: none"><li>• Reinstall spark plug wires to the corresponding cylinder.</li></ul>

# TROUBLESHOOTING

## Suspension Troubleshooting

Problem	Solution
Rear suspension bottoms too easily	<ul style="list-style-type: none"> <li>• Set static sag (see page 43). Adjust torsion spring blocks or install optional torsion springs to achieve correct sag dimensions.</li> </ul>
Rides too stiff in rear	<ul style="list-style-type: none"> <li>• Check for binding suspension components and grease all pivot points.</li> <li>• Set static sag (see page 43). Adjust torsion spring blocks or install optional torsion springs to achieve correct sag dimensions.</li> </ul>
Too much weight transfer when climbing	<ul style="list-style-type: none"> <li>• Set static sag (see page 43). Adjust torsion spring blocks or install optional torsion springs to achieve correct sag.</li> <li>• Move limiter strap to high position (see page 44).</li> </ul>
Too little weight transfer when climbing	<ul style="list-style-type: none"> <li>• Set static sag (see page 43). Adjust torsion spring blocks or install optional torsion springs to achieve correct sag.</li> <li>• Move limiter strap to low position (see page 44).</li> </ul>
Front end pushes	<ul style="list-style-type: none"> <li>• Check for worn skags.</li> <li>• Check for binding front suspension shafts/steering components, grease all pivot points (elevate front of machine).</li> <li>• Set static sag (see page 43). Adjust torsion spring blocks or install optional torsion springs to achieve correct sag.</li> <li>• Increase IFS preload (if equipped) (see page 41).</li> <li>• Move limiter strap to high position (see page 44).</li> </ul>
Steering is heavy	<ul style="list-style-type: none"> <li>• Make sure spindles and all steering components turn freely.</li> <li>• Check ski alignment (see page 106).</li> <li>• Check skags and skis for damage.</li> <li>• Set static sag (see page 43).</li> </ul>
Machine darts from side to side	<ul style="list-style-type: none"> <li>• Check ski alignment (see page 106).</li> <li>• Check for binding front suspension shafts/steering components, grease all pivot points (elevate front of machine).</li> <li>• Check for excessive play in steering assembly (see dealer).</li> <li>• Ensure skags are straight on skis.</li> <li>• Set static sag (see page 43).</li> <li>• Check rail slide/replace if worn (see page 108).</li> <li>• Install Accu-Trak dual skags (see your dealer).</li> </ul>

# TROUBLESHOOTING

## Drive Belt Troubleshooting

<b>Belt Wear/Burn Diagnosis</b>	
<b>Causes</b>	<b>Solutions</b>
Driving at low RPM	<ul style="list-style-type: none"><li>• Drive at higher RPM. Gear the machine down. Check belt deflection.</li></ul>
Insufficient warm-up	<ul style="list-style-type: none"><li>• Warm the engine at least five minutes. Take the drive belt off the machine in extremely cold weather and warm it up. Break machine loose from the snow.</li></ul>
Towing at low RPM	<ul style="list-style-type: none"><li>• Do not tow in deep snow. Use fast, aggressive throttle to engage clutch.</li></ul>
Riding with high RPM and slow speed (8000 RPM/10 MPH)	<ul style="list-style-type: none"><li>• Lower the gear ratio. Reduce RPM. Avoid riding in high ambient temperatures. Check for snow ingestion.</li></ul>
Ice and snow build-up between track and tunnel	<ul style="list-style-type: none"><li>• Warm the engine at least five minutes. Take the drive belt off the machine in extremely cold weather and warm it up. Break machine loose from the snow.</li></ul>
Poor engine performance	<ul style="list-style-type: none"><li>• Check for carburetor and choke synchronization, fouled plugs, debris in the carburetor(s) and water, ice or dirt in the fuel tank or fuel line.</li></ul>
Loading machines onto trailers	<ul style="list-style-type: none"><li>• Skis may gouge into trailers and prevent the drivetrain from spinning properly. Use enough speed to drive the machine completely onto the trailer. Push and pull it to finish loading if necessary.</li></ul>
Clutch malfunction	<ul style="list-style-type: none"><li>• Inspect clutch components. See your dealer.</li></ul>
Slow, easy clutch engagement	<ul style="list-style-type: none"><li>• Use fast, aggressive throttle to engage clutch.</li></ul>



# WARRANTY

## Service And Warranty Information

### Obtaining Service and Warranty Assistance

Read and understand the service data and the Polaris warranty information contained in this manual. Contact your Polaris dealer for replacement parts, service or warranty. Your dealer receives frequent updates on changes, modifications and tips on snowmobile maintenance, which may supersede information contained in this manual. Your dealer is also familiar with Polaris policies and procedures and will be happy to assist you.

When contacting us about parts, service, or warranty, always provide the following information:

1. Serial number
2. Model number
3. Dealer name
4. Date of purchase
5. Details of trouble experienced
6. Length of time and conditions of operation
7. Previous correspondence

Use the page provided near the front of your Owner's Manual to record the identification numbers of your snowmobile and its engine.

### Polaris Customer Service

United States: 1-763-417-8650

Canada: 1-204-925-7100

## Service And Warranty Information

### Polaris Anti-Theft System

The Polaris anti-theft system (PATS) monitoring program is designed to aid owners of registered snowmobiles in recovery of stolen machines.

### Administration

1. Polaris snowmobile owner reports theft.
  - A. In addition to notifying the proper law enforcement officials, the owner must call Polaris Customer Service.
  - B. Owners must provide their name, address, telephone number and the model and serial number of stolen machines.
2. Polaris warranty will provide all dealerships with a monthly updated list of all stolen units to further monitor thefts.
3. Polaris warranty will aid in notifying the proper owner when a unit is recovered

# WARRANTY

## Limited Warranty

Polaris Sales Inc., 2100 Highway 55, Medina, MN 55340, provides a ONE YEAR LIMITED WARRANTY on all components of the Polaris snowmobile against defects in material or workmanship. This warranty covers the parts and labor charges for repair or replacement of defective parts that are covered by this warranty. The warranty begins on the date of purchase. This warranty is transferable to another consumer, during the warranty period, through a Polaris dealer.

## Registration

At the time of sale, the Warranty Registration Form must be completed by your dealer and submitted to Polaris within ten days. Upon receipt of this registration, Polaris will record the registration for warranty. No verification of registration will be sent to the purchaser as the copy of the Warranty Registration Form will be the warranty entitlement. If you have not signed the original registration and received the customer copy, please contact your dealer immediately. **NO WARRANTY COVERAGE WILL BE ALLOWED UNLESS THE SNOWMOBILE IS REGISTERED WITH POLARIS.**

Initial dealer preparation and set-up of your snowmobile is very important in ensuring trouble-free operation. Purchasing a snowmobile in the crate or without proper dealer set-up will void your warranty coverage.

## Warranty Coverage and Exclusions

### Limitations of warranties and remedies

This warranty excludes any failures not caused by a defect in material or workmanship. The warranty does not cover accidental damage, normal wear and tear, abuse or improper handling. The warranty also does not cover any snowmobile that has been structurally altered, neglected, improperly maintained, used for racing or used for purposes other than for which it was manufactured. The warranty does not cover any damages that occur during trailer transit or as a result of unauthorized service or parts. In addition, this warranty does not cover physical damage to paint or finish, stress cracks, tearing or puncturing of upholstery material, corrosion or defects in parts, components or the snowmobile due to fire, explosions or any other cause beyond Polaris' control.

This warranty does not cover the use of unauthorized lubricants, chemicals, or fuels that are not compatible with the snowmobile.

The exclusive remedy for breach of this warranty shall be, at Polaris' exclusive option, repair or replacement of any defective materials, or components or products. **THE REMEDIES SET FORTH IN THIS WARRANTY ARE THE ONLY REMEDIES AVAILABLE TO ANY PERSON FOR BREACH OF THIS WARRANTY. POLARIS SHALL HAVE NO LIABILITY TO ANY PERSON FOR INCIDENTAL, CONSEQUENTIAL OR SPECIAL DAMAGES OF ANY DESCRIPTION, WHETHER ARISING OUT OF EXPRESS OR IMPLIED WARRANTY OR ANY OTHER CONTRACT, NEGLIGENCE, OR OTHER TORT OR OTHERWISE.** Some states do not permit the exclusion or limitation of incidental or consequential damages or implied warranties, so the above limitations or exclusions may not apply to you if inconsistent with controlling state law.

# WARRANTY

## Limitations of warranties and remedies

ALL IMPLIED WARRANTIES (INCLUDING BUT NOT LIMITED TO THE IMPLIED WARRANTIES OF MERCHANTABILITY AND FITNESS FOR A PARTICULAR PURPOSE) ARE LIMITED IN DURATION TO THE ABOVE ONE YEAR WARRANTY PERIOD. POLARIS FURTHER DISCLAIMS ALL EXPRESS WARRANTIES NOT STATED IN THIS WARRANTY. Some states do not allow limitations on how long an implied warranty lasts, so the above limitation may not apply to you if inconsistent with controlling state law.

## How to Obtain Warranty Service

If your snowmobile requires warranty service, you must take it to a Polaris dealer authorized to repair Polaris snowmobiles. When requesting warranty service you must present your copy of the Warranty Registration form to the dealer. (The cost of transportation to and from the dealer is YOUR responsibility). Polaris recommends that you use your original selling dealer; however, you may use any Polaris Servicing Dealer to perform warranty service.

Please work with your dealer to resolve any warranty issues. Your dealer will contact the appropriate personnel at Polaris if additional assistance is needed.

This warranty gives you specific legal rights, and you may also have other rights which vary from state to state.

If any of the above terms are void because of state or federal law, all other warranty terms will remain in effect.

## Engine Oil

1. Mixing oil brands or using non-recommended oil may cause engine damage. We recommend the use of Polaris engine oil.
2. Damage resulting from the use of non-recommended lubricants may not be covered by warranty.

# WARRANTY

## Conditions and Exclusions

In order to qualify for warranty, the product must have been properly set up and tested by a Polaris Dealer (if applicable). Failure of any dealer to perform the required vehicle Pre-Delivery Inspection, perform all applicable service bulletins and have the consumer sign the PDI form prior to delivery may void the warranty. Failure to provide proof of required periodic maintenance upon request may result in denial of warranty coverage. Use of the recommended Polaris products for lubrication and maintenance as directed by the Owner's manual is highly recommended. Should a failure occur during the warranty period resulting from the use of non-recommended products, warranty coverage may be denied.

Warranty does not apply to parts exposed to friction surfaces, stresses, environmental conditions and/or contamination. The following items are excluded from warranty consideration if the failure was due to wear or not the direct result of a defect:

Skis	Ski wear rods
Tracks	Slide rails
Suspension components	Finished and unfinished surfaces
Brake components	Carburetor/Throttle body components
Seat components	Engine components
Clutches and components	Drive belts
Steering components	Hydraulic components
Batteries	Circuit breakers/Fuses
Light bulbs/Sealed beam lamps	Electronic components
Idler wheels	

Warranty applies to the product only and does not allow for coverage of personal loss. Some items are considered "consumable," meaning they are considered part of normal maintenance or part of completing an effective repair. The following items are excluded from warranty coverage in the event of a warranty claim:

Spark Plugs	Lubricants such as oil, grease, etc.
Filters	Batteries (unless defective)
Fuel	Cosmetic damage/repair
Sealants	Coolants
Hotel fees	Meals
Towing charges	Shipping/ handling fees
Mileage	Product pick-up/delivery
Rentals/Loss of product use	Loss of vacation/personal time

This warranty also excludes failures resulting from improper lubrication; improper engine timing; improper fuel; surface imperfections caused by external stress, heat, cold or contamination; operator error or abuse; improper component alignment, tension, adjustment or altitude compensation; failure due to snow, water, dirt or other foreign substance ingestion/contamination; improper maintenance; modified components; use of aftermarket components resulting in failure; unauthorized repairs; repairs made after the warranty period expires or by an unauthorized repair center; use of the product in competition or for commercial purposes. Warranty will not apply to any product which has been damaged by abuse, accident, fire or any other casualty not determined a defect of materials or workmanship.

# WARRANTY

## Polaris Second Year Engine Service Contract

Second Year Engine Service Contract is standard on all eligible new and unused snowmobiles that were Snow Checked through an authorized Polaris dealer during the March/April Snow Check promotion. The free Second Year Engine Service Contract is honored by all authorized Polaris snowmobile dealers in North America and is transferable 120 days after the original purchase date, free of charge, through any Polaris snowmobile dealer. Coverage on Snow Check units is automatic. Although you do not receive a warranty card, your dealership should have printed a copy of the warranty registration form. This form is your proof of warranty.

### Consumer Exclusions

- Each repair visit after the first twelve months of standard warranty coverage is subject to a \$50 deductible.
- The free Second Year Engine Service Contract applies to the first 5,000 miles or two (2) calendar years from date of purchase, whichever comes first. Tampering with the odometer shall void all warranties/service contracts. No extensions to coverage under this engine service contract can be given. Used snowmobiles are not eligible under this program.
- Snowmobiles used for commercial purposes or for racing are excluded from coverage.

### Coverage

Coverage for second year engine failures due to defects in materials and workmanship will be determined by Polaris in its sole discretion. Coverage is automatic with no additional paperwork required. The free Second Year Engine Service Contract is subject to a \$50 deductible per visit. Regular, documented service maintenance visits are required to validate this warranty.

A partial list of items excluded from coverage includes:

- Damage due to accident, fire, explosion, theft, or other causes beyond Polaris' control.
- Damage caused by the failure of other components of the snowmobile.
- Failures caused by improper fuel or oil.
- Piston seizures, unless caused by a defective engine component.
- Failures caused due to improper adjustments.
- Failure due to unauthorized service.
- Failures due to lack of service as required in the owner's manual or Polaris updates. This includes off-season storage as listed in the owner's manual.
- Failure due to use of unauthorized parts or modifications.
- Normal wear parts, including but not limited to spark plugs, hoses, batteries, controls, and recoil ropes are excluded from coverage. Gaskets are covered, as are intake and exhaust manifolds excluding paint coverage.
- Electrical coverage is limited to the ECU box, coils, stator plate, and sensors. Wiring and other electrical components are excluded from coverage.
- Cooling system coverage is limited to the water pump assembly and components, fan, fan bearings, temperature sensor, gasket and seals.
- Non wear related throttle body parts are covered. The fuel pump is covered.
- Clutches and related clutch parts, including but not limited to, the drive belt, are excluded from coverage.
- Electrical components are excluded from coverage.
- Gearcases and transmissions are excluded from coverage.

# WARRANTY

## Exported Vehicles

EXCEPT WHERE SPECIFICALLY REQUIRED BY LAW, THERE IS NO WARRANTY OR SERVICE BULLETIN COVERAGE ON THIS VEHICLE IF IT IS SOLD OUTSIDE THE COUNTRY OF THE SELLING DEALER'S AUTHORIZED LOCATION.

This policy does not apply to vehicles that have received authorization for export from Polaris Industries. Dealers may not give authorization for export. You should consult an authorized dealer to determine this vehicle's warranty or service bulletin coverage if you have any questions.

This policy does not apply to vehicles registered to government officials or military personnel on assignment outside the country of the selling dealer's authorized location.

This policy does not apply to Safety Recalls.

## How to Get Service

*In the Country where your vehicle was purchased:*

Warranty or Service Bulletin repairs must be done by an authorized Polaris dealer. If you move or are traveling within the country where your vehicle was purchased, Warranty or Service Bulletin repairs may be requested from any authorized Polaris dealer who sells the same line as your vehicle.

*Outside the Country where your vehicle was purchased:*

If you are traveling temporarily outside the country where your vehicle was purchased, you should take your vehicle to an authorized Polaris dealer. You must show the dealer photo identification from the country of the selling dealer's authorized location as proof of residence. Upon residence verification, the servicing dealer will be authorized to perform the warranty repair.

*If You Move:*

If you move to another country, be sure to contact Polaris Customer Assistance and the customs department of the destination country before you move. Vehicles importation rules vary considerably from country to country. You may be required to present documentation of your move to Polaris Industries in order to continue your warranty coverage. You may also be required to obtain documentation from Polaris Industries in order to register your vehicle in your new country.

*If Purchased From A Private Party:*

If you purchase a Polaris product from a private citizen outside of the country in which the vehicle was originally purchased, all warranty coverage will be denied.

## Notice

If your vehicle is registered outside of the country where it was purchased, and you have not followed the procedure set out above, your vehicle will no longer be eligible for warranty or service bulletin coverage of any kind. (Vehicles registered to Government officials or military personnel on assignment outside of the country where the vehicle was purchased will continue to be covered by the basic warranty.)

*For questions call Polaris Customer Assistance (see page 118).*

# WARRANTY

## Snowmobile Engine Emissions Limited Warranty

This snowmobile engine emissions limited warranty is in addition to the Polaris standard limited warranty for snowmobiles.

Polaris Industries Inc. warrants that the new engine, including all parts of its emission-control system, is designed, built and equipped so it conforms to current U.S. Environmental Protection Agency regulations applicable to snowmobile emissions under 40 CFR1051, 1065 and 1068 at the time of sale to the ultimate purchaser. Polaris warrants that the engine is free from defects in materials and workmanship that may keep it from meeting these regulations.

The warranty period for this emissions certified snowmobile engine starts on the date when the engine is first purchased and continues for 4000 kilometers (2485 miles) of vehicle travel, 200 hours of operation, or 30 calendar months, whichever comes first.

This engine emissions limited warranty covers the parts and labor charges for repair or replacement of defective parts that are covered by this warranty. This includes components whose failure increases the snowmobile engine's emissions. To the extent they are present on your snowmobile engine, this includes electronic controls, fuel injection components, exhaust gas recirculation system components, and aftertreatment system components. Replacing or repairing other components not covered by this warranty is the responsibility of the snowmobile owner.

The exclusive remedy for breach of this limited warranty shall be, at the exclusive option of Polaris, repair or replacement of any defective materials, components or products. THE REMEDIES SET FORTH IN THIS LIMITED WARRANTY ARE THE ONLY REMEDIES AVAILABLE TO ANY PERSON FOR BREACH OF THIS WARRANTY. POLARIS SHALL HAVE NO LIABILITY TO ANY PERSON FOR INCIDENTAL, CONSEQUENTIAL OR SPECIAL DAMAGES OF ANY DESCRIPTION, WHETHER ARISING OUT OF EXPRESS OR IMPLIED WARRANTY OR ANY OTHER CONTRACT, NEGLIGENCE OR OTHER TORT OR OTHERWISE. ALL IMPLIED WARRANTIES (INCLUDING BUT NOT LIMITED TO ANY IMPLIED WARRANTIES OF MERCHANTABILITY AND FITNESS FOR A PARTICULAR PURPOSE) ARE LIMITED IN DURATION TO THE WARRANTY PERIOD DESCRIBED HEREIN. POLARIS DISCLAIMS ALL EXPRESS WARRANTIES NOT STATED IN THIS WARRANTY.



# WARRANTY

## Snowmobile Engine Emissions Limited Warranty

Some states do not allow limitations on how long an implied warranty lasts, so the above limitation may not apply if it is inconsistent with the controlling state law. This limited warranty excludes failures not caused by a defect in material or workmanship. This limited warranty does not cover damage due to accidents, abuse or improper handling, maintenance or use. This limited warranty also does not cover any engine that has been structurally altered, or any engine that has been used in racing competition. This limited warranty also does not cover physical damage, corrosion or defects caused by fire, explosions or other similar causes beyond the control of Polaris.

Owners are responsible for performing the scheduled maintenance identified in the owner's manual. Polaris can deny an emissions warranty claim if any specified critical emissions-related maintenance is not performed. Performance of other scheduled maintenance is strongly recommended, but is not necessary to keep the emissions-related warranty valid. Any qualified repair shop or qualified person may maintain, replace, or repair the emission control devices or systems on your snowmobile. Polaris recommends that you contact an authorized Polaris dealer to perform any service that may be necessary.

It is a potential violation of the Clean Air Act if a part supplied by an aftermarket parts manufacturer reduces the effectiveness of the vehicle's emission controls. Tampering with emission controls is prohibited by federal law and may result in civil penalties.

# MAINTENANCE LOG

Present this section of your manual to your dealer each time your snowmobile is serviced. This will provide you and future owners with an accurate log of maintenance and services performed on the snowmobile.

DATE	MILES (KM)	TECHNICIAN	SERVICE PERFORMED / COMMENTS
	150 mi. (240 km)		
	500 mi. (800 km)		
	1000 mi. (1600 km)		
	2000 mi. (3200 km)		

# MAINTENANCE LOG

DATE	MILES (KM)	TECHNICIAN	SERVICE PERFORMED / COMMENTS

# MAINTENANCE LOG

DATE	MILES (KM)	TECHNICIAN	SERVICE PERFORMED / COMMENTS

# INDEX

## A

Accessories .....	48
Apparel for Riding .....	12
Avalanches .....	15

## B

Brake Components .....	92
Brake Fluid .....	93
Brake Inspection .....	91
Brake Lever Feel .....	51
Brake Lever Travel .....	51, 92
Brake System, Bleeding .....	94
Brakes .....	51, 91-94
Break-In, Engine .....	57-58
Bulbs, Replacing .....	95

## C

Carburetor .....	83
Carburetor Adjustments .....	83
Carburetor Protection .....	110
Carburetor Water/Sediment Trap ..	84
Cargo System .....	28
Chaincase Oil .....	77-78
Choke Cable .....	76
Clutch Alignment and Offset .....	96
Clutch Cover Warning .....	22
Clutch System .....	96-99
Clutches .....	18
Coolant .....	86
Coolant High Temperature Light ..	87
Coolant Level .....	86
Cooling System .....	86-89
Cooling System Bleeding .....	88-89
Cooling System Flushing .....	87

## D

DET .....	29
Detonation Elimination Technology	29
Digital Display .....	31
Digital Display Programs .....	33-37
Disabled Operators .....	13
Drive Belt .....	18
Drive Belt Adjustment .....	97
Drive Belt Condition .....	97
Drive Belt Deflection .....	97
Drive Belt Installation .....	99
Drive Belt Removal .....	98
Drive Belt Troubleshooting .....	117
Drive Chain Tension .....	90

## D

Driver Awareness .....	14
Driving Downhill .....	16
Driving in Hilly Terrain .....	17
Driving on Slippery Surfaces .....	17
Driving Responsibly .....	20

## E

Electrical Connections .....	111
Emission Control Information .....	69-70
Emission Control Label .....	69
Emission Control Maintenance .....	69
Engine Break-In .....	57-58
Engine Protection (600) .....	110
Engine Protection (DRAGON) .....	110
Engine Stop Switch .....	63
Engine, Starting .....	56
Environment Preservation .....	6
Exhaust System .....	85
Eye Protection .....	12

## F

Fuel Filter .....	82
Fuel Injectors .....	82
Fuel Lines .....	82
Fuel Pump .....	82
Fuel Recommendations .....	61
Fuel Safety .....	60
Fuel System Deicers .....	61
Fuel Valve .....	28

## G

Gauge Cleaning .....	38
----------------------	----

## H

Handlebar Adjustments .....	46-47
Handlebar Angle .....	47
Handlebar Position .....	47
Headlight Adjustments .....	28
Helmet Recommendations .....	12
Hood Latches .....	50
Hot Surface Warning .....	23

## I

Ice and Snow Build-up .....	16
IFS .....	39
Instrumentation .....	30-38
Intake Filters .....	81
Intake Silencer .....	18

# INDEX

## L

Lights	95
Limiter Strap Position	44
Low Oil Indicator Light	62
Lubrication	75-78
<b>Lubrication</b>	
Choke	76
Choke Cable	76
Driveshaft Bearing	76
Front Suspension	75
Rear Suspension	75
Throttle Cable	76

## M

Maintenance Interval Table	72-74
Maintenance Program	71
Maneuverability	18
MFD Components	30
MFD Digital Display	33
MFD Digital Display Programs	34-37
MFD Settings	32

## N

Noise	6
-------	---

## O

Oil Filter	82
Oil Injection System	58
Oil Level	62
Oil Lines	82
Oil Recommendations	58
Oil, Chaincase	77
Oil, Engine	62
Operating in Deep Snow	19
Operation Warning	24-25

## P

Parking Brake Lever Lock	52
Passenger Warning	23
Polaris Products	112
Pre-Ride Checklist	49-55
Pressure Cap Warning	22

## R

Rail Slide Wear	108
Recoil Rope	51
Reverse Operation	67
Reverse Warning	24
Rider Capacity	13

## S

Safety	8-21
Safety Decals	22-25
Sag Settings	43
Sediment Trap	84
Shock Components	40
Shock Compression Valving	45
Shock Spring Preload,	
Front Suspension	41
Shock Springs, Front	41
Shocks, Air	40
Shocks, Standard	40
Skags	107
Ski Alignment	106
Slide Rail and Track Cooling	58
Snow Build-up	16
Snow Conditions	19
Spark Plugs	79-80
Speed	13
Spring Preload	43
Starting the Engine	56
Starting, Emergency	66
Steering Adjustments	28
Steering Inspection	53, 105
Steering System	105-108
Stop Switch	63
Stopping	65
Storage, Daily	68
Storage, Extended	109-111
Survival Preparation	11
Suspension Adjustments, Front	39-41
Suspension Adjustments, Rear	42-45
Suspension Inspection	54
Suspension Lubrication, Front	75
Suspension Lubrication, Rear	75
Suspension Performance Tips	42
Suspension, Front	39
Switch, Stop	63
Switch, Throttle Safety	50, 63
Switch, Tether	48

# INDEX

## T

Tether Switch . . . . .	48
Throttle Lever . . . . .	50, 64
Throttle Safety Switch . . . . .	50, 63
Torque Stop . . . . .	99
Torsion Spring Preload . . . . .	44
Towing . . . . .	68
Track Alignment . . . . .	104
Track Care for Storage . . . . .	111
Track Inspection . . . . .	53, 100
Track Lubrication . . . . .	101
Track Replacement . . . . .	100
Track Tension . . . . .	102-103
Track Warm-Up . . . . .	59
Track Warning . . . . .	23
Track, Deep Lug . . . . .	53
Transporting the Snowmobile . . . . .	111
Troubleshooting, Drive Belt . . . . .	117
Troubleshooting, Engine . . . . .	113-115
Troubleshooting, Rear Suspension . . . . .	116

## V

Vehicle Identification Numbers . . . . .	7
--	---

## W

Warning Labels/Decals . . . . .	22-25
Warranty, Engine Emissions . . . . .	125
Windchill/Temperature Charts . . . . .	21

## Free Manuals Download Website

<http://myh66.com>

<http://usermanuals.us>

<http://www.somanuals.com>

<http://www.4manuals.cc>

<http://www.manual-lib.com>

<http://www.404manual.com>

<http://www.luxmanual.com>

<http://aubethermostatmanual.com>

Golf course search by state

<http://golfingnear.com>

Email search by domain

<http://emailbydomain.com>

Auto manuals search

<http://auto.somanuals.com>

TV manuals search

<http://tv.somanuals.com>