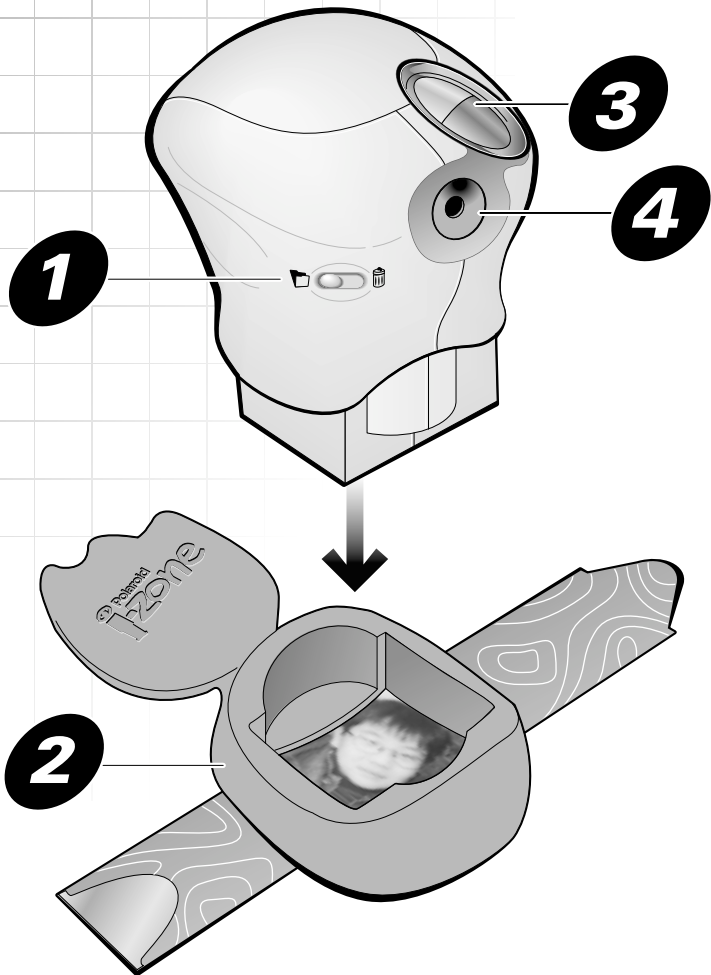


# Polaroid i-zone Webster



## Instructions

1

Slide switch to  to initialize.



 **Warning:**

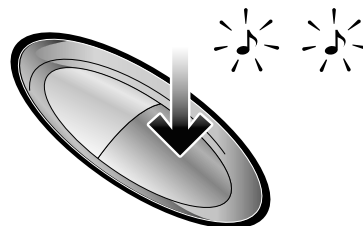
Sliding switch to  deletes all stored images.



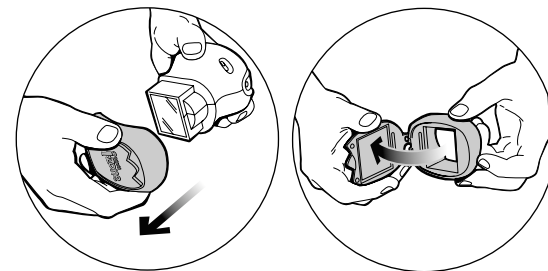
Sleeps if idle for 30 seconds.



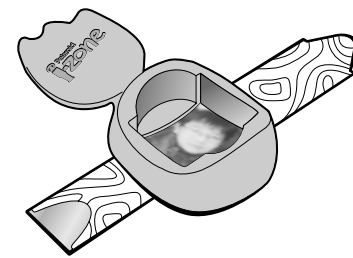
Press to wake up.



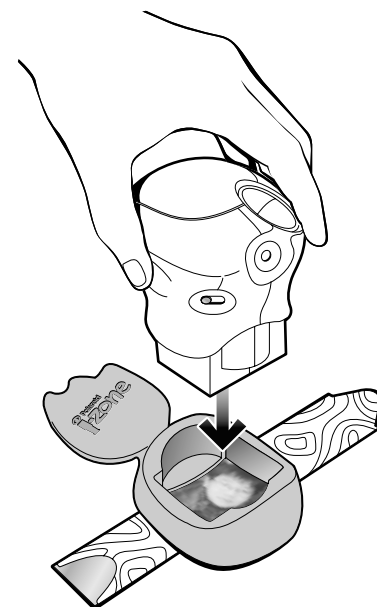
2



Place on area to scan.

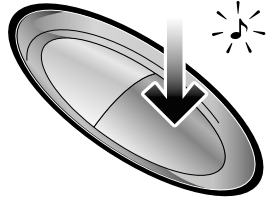


Insert Webster.



**3**

Press to scan.

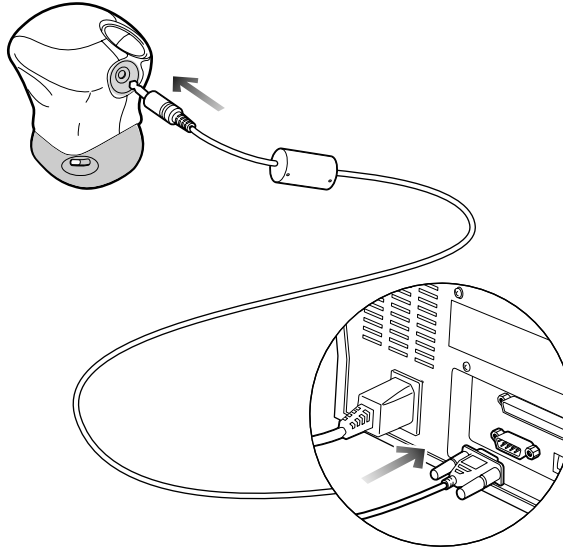


Counts down from 20 images



**4**

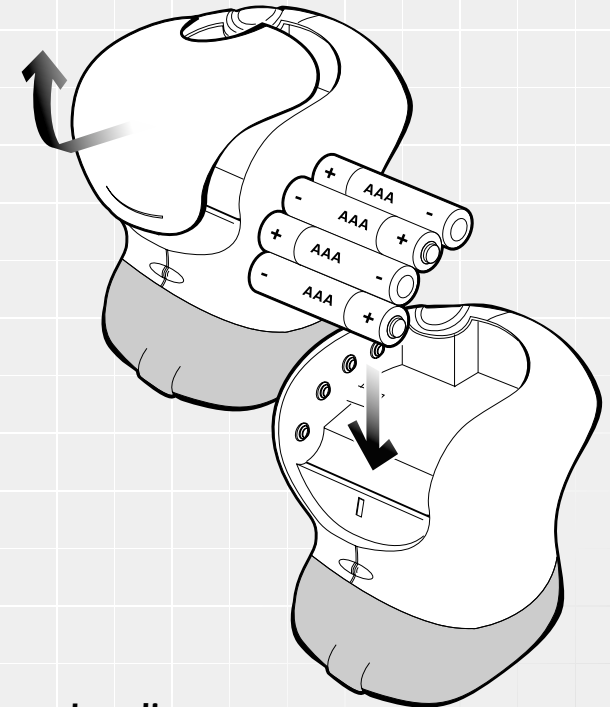
Connect to computer with serial cable.



Turn on your computer.



Open PhotoImpression.



### Loading Batteries

Webster uses four AAA batteries. Use only AAA alkaline batteries with Webster. Never mix old batteries with new batteries, or use different types of batteries together.

## Installing the software

### Minimum system requirements

- PC with Pentium class processor
- Microsoft Windows 95, Windows 98
- 16 MB RAM
- 70 MB available hard drive space
- CD-ROM drive
- Serial port
- 16-bit or 24-bit display
- Mouse

To install the software:

- Insert the software CD in your CD-ROM drive. The automatic installation procedure should start. Follow the instructions on the screen.

**Note:** If the installation does not start, from the Windows Start menu, select **Run**.

Type **D:\Setup.exe** at the prompt (**D:** is the letter of your CD-ROM drive). Click **OK** and follow the instructions on the screen.

When the software is installed, see the online help for help using the product.

## Transferring photos to your computer

Once you have installed the Arcsoft PhotoImpression software, you can transfer photos to your computer.

To connect the mini photographic scanner to the computer:

1. Connect the serial cable to the mini photographic scanner and to the serial port on your computer.
2. Start the software: Click the **Start** menu, select **Programs** then open the **Polaroid I-Zone** folder, select Arcsoft PhotoImpression.

PhotoImpression starts.



3. Click **Get Photo**.

The Get Photo area (a) is displayed at the bottom of the screen.

4. Select **Camera/Scanner** and select **Polaroid I-Zone Webster**.



5. Click **Acquire**.

The Polaroid I-Zone dialog box is displayed. The image numbers are displayed.

**Note:** If a "Camera not found" message displays, turn off the computer and make sure the serial cable is firmly connected. Then turn on the mini photographic scanner and turn on the computer.



6. To view thumbnail images of the photos in the mini photographic scanner, press the **Refresh Thumbnails** button.

7. To select all the photos in the mini photographic scanner, click **Select All** or click on an individual photo to select it.



8. Click **Get Photos** to download the selected photos.

**Caution:** Clicking **Delete All Photos** will delete all photos in the mini photographic scanner.

## FCC Notice

**WARNING:** Changes or modifications to this unit not expressly approved by the party responsible for compliance could void the user's authority to operate the equipment.

**Note:** This equipment has been tested and found to comply with the limits for a Class B digital device, pursuant to Part 15 of the FCC rules. These limits are designed to provide reasonable protection against harmful interference when the equipment is operated in a residential installation. This equipment generates, uses, and can radiate radio frequency energy and, if not installed and used in accordance with the instruction manual, may cause harmful interference to radio communications. However, there is no guarantee that interference will not occur in a particular installation. If this equipment does cause harmful interference to radio or television reception, which can be determined by turning the equipment off and on, the user is encouraged to try to correct the interference by one or more of the following measures:

- Reorient or relocate the receiving antenna.
- Increase the separation between the equipment and receiver.
- Connect the equipment into an outlet on a circuit different from that to which the receiver is connected.

Consult the dealer or an experienced radio TV technician for help.

Observe the following precautions when you use this Polaroid mini photographic scanner:

- Do not open the mini photographic scanner case or attempt your own repairs. High-voltage internal components create the risk of electrical shock when exposed. Return your mini photographic scanner to an authorized Polaroid service provider for all maintenance and repairs.
- Keep the mini photographic scanner away from water and other liquids. Moisture creates the danger of fire and electrical shock. Do not use the mini photographic scanner in the rain, at the seashore, or any location where there is the possibility of exposure to liquids.
- Turn the mini photographic scanner power off and remove the batteries immediately if mini photographic scanner is exposed to water or other liquids. Using the mini photographic scanner under these conditions creates the danger of electrical shock or fire.
- Do not open the battery compartment while the mini photographic scanner is processing an image. In this situation, the new image cannot be stored and may cause corruption of other stored photos.

Follow these guidelines:

- Use only AAA alkaline batteries with the mini photographic scanner. Never mix old batteries with new batteries, or use different types of batteries together. Do not mix alkaline, standard (carbon-zinc), or rechargeable (nickel-cadmium) batteries.
- Do not expose batteries to direct heat or dispose of them by burning. Dispose of batteries according to local laws and regulations.
- Remove batteries from the mini photographic scanner if you are not going to use the mini photographic scanner for an extended period of time.
- Remove dead batteries from the mini photographic scanner. Dead batteries are susceptible to leakage, and may cause significant damage to your mini photographic scanner.

**Caution:** Mini photographic scanner damage caused by misuse of batteries is not covered under the terms of the 6 month Limited Warranty.

You can call Polaroid toll-free within the U.S.A. at 1-800-343-5000, 7 days a week, 8 A.M. to 8 P.M. Eastern Standard Time. When calling with a technical question, ask for an Electronic Imaging or a Digital Imaging Specialist.

Please identify the Polaroid product and its serial number (if applicable). If possible, have your system running the software when you call.

We offer a variety of Customer Support Services. Call us for details and applicable fees. Outside the U.S.A., contact the Polaroid office nearest you.

Technical support is available via the Internet. Visit our Web site at: [izone.polaroid.com](http://izone.polaroid.com)

### In the U.S. and Canada: 6 month limited warranty

### In Mexico: 1 year limited warranty

Polaroid will, at our option, repair or replace any mini photographic scanner unit found defective in manufacture within the warranty period. The warranty period is determined by the date of purchase. Keep the receipt as proof of purchase. Otherwise, the warranty period is determined by the date of manufacture. **This warranty does not apply to damage caused by accident, misuse or tampering, and excludes all consequential damages except in jurisdictions not allowing such exclusions or limitations.**

For warranty service information: To obtain warranty service, please call Polaroid at our toll-free number (1-800-343-5000 in the USA, 01-800-70727-77 in México or 1-800-268-6970 Canada).

### Caution

This mini photographic scanner unit is battery operated. Supervise children when mini photographic scanner is operated by them or used in their presence. To avoid electrical shock, do not expose to or immerse in water or other fluids, disassemble, or operate if dropped or damaged. Contact a Polaroid Service Center for repair information.

## Free Manuals Download Website

<http://myh66.com>

<http://usermanuals.us>

<http://www.somanuals.com>

<http://www.4manuals.cc>

<http://www.manual-lib.com>

<http://www.404manual.com>

<http://www.luxmanual.com>

<http://aubethermostatmanual.com>

Golf course search by state

<http://golfingnear.com>

Email search by domain

<http://emailbydomain.com>

Auto manuals search

<http://auto.somanuals.com>

TV manuals search

<http://tv.somanuals.com>