



polk™

PSW121

owners manual



English

Important Safety Instructions

This product was designed and manufactured to meet strict quality and safety standards. There are, however, some installation and operation precautions which you should be particularly aware of.

1. Read Instructions. All the safety and operating instructions should be read before the system is operated.
2. Retain Instructions. The safety and operating instructions should be retained for future reference.
3. Heed Warnings. All warnings on the appliances and in the operating instructions should be adhered to.
4. Follow Instructions. All operating and use instructions should be followed.
5. Cleaning. Unplug the appliance from wall outlet before cleaning. Do not use liquid cleaners or aerosol cleaners. Use a damp cloth for cleaning.
6. Attachments. Do not use attachments not recommended by the product manufacturer as they may cause hazards.
7. Water and Moisture. Do not use these appliances near water—for example, near a bath tub, washbowl, kitchen sink, or laundry tub, in a wet basement, or near a swimming pool, and the like.
8. Accessories. Do not place these appliances on an unstable cart, stand, tripod, bracket, or table. The audio/video products may fall, causing serious injury to a child or adult, and serious damage to the products. Use only with a cart, stand, tripod, bracket, or table recommended by the manufacturer, or sold with the appliances. Any mounting of the appliances should follow the manufacturer's instructions, and should use mounting accessories recommended by the manufacturer.
9. Ventilation. Slots and openings in the cabinet are provided for ventilation and to ensure reliable operation of the appliances and to protect them from overheating, and these openings must not be blocked or covered. The openings should never be blocked by placing the products on a bed, sofa, rug, or other similar surface. This product should never be placed near or over a radiator or heat register. This product should not be placed in a built-in installation such as a bookcase or rack unless proper ventilation is provided or the manufacturer's instructions have been adhered to.
10. Power Sources. This product should be operated only from the type of power source indicated on the marking labels. If you are not sure of the type of power supply to your home, consult your appliance dealer or local power company.
11. Grounding or Polarization. This product is equipped with polarized alternating-current line plugs (plugs having one blade wider than the other). This plug will fit into the power outlet only one way. This is a safety feature. If you are unable to insert the plug fully into the outlet, try reversing the plug. If the plug should still fail to fit, contact your electrician to replace your obsolete outlet. Do not defeat the safety purpose of the polarized plug.
12. Power Cord Protection. Power-supply cord should be routed so that it is not likely to be walked on or pinched by items placed upon or against it, paying particular attention to cords at plugs, convenience receptacles, and the point where they exit from the appliances.
13. Lightning. For added protection for this audio/video product during a lightning storm, or when it is left unattended and unused for long periods of time, unplug it from the wall outlet and disconnect the antenna or cable system. This will prevent damage to the product due to lightning and power-line surges.
14. Power Lines. An outside antenna system should not be located in the vicinity of overhead power lines or other electric light or power circuits, or where it can fall into such power lines or circuits. When installing an outside antenna system, extreme care should be taken to keep from touching such power lines or circuits as contact with them might be fatal.
15. Overloading. Do not overload wall outlets and extension cords as this can result in a risk of fire or electric shock.
16. Object and Liquid Entry. Never push objects of any kind into this product through openings, as they may touch dangerous voltage points or short out parts that could result in a fire or electric shock. Never spill liquid of any kind on this audio/video product.
17. Servicing. Do not attempt to service this product yourself, as opening or removing covers may expose you to dangerous voltage or other hazards. Refer all servicing to qualified service personnel.

18. Damage Requiring Service. Unplug this product from wall outlets and refer servicing to qualified service personnel under the following conditions:
 - a. When the power supply cord or plug is damaged.
 - b. If liquid has been spilled, or objects have fallen into the product.
 - c. If the product has been exposed to rain or water.
 - d. If the product does not operate normally by following the operating instructions. Adjust only those controls that are covered by the operating instructions, as an improper adjustment of other controls may result in damage and will often require extensive work by a qualified technician to restore the product to its normal operation.
 - e. If the product has been dropped or the cabinet has been damaged.
 - f. When the product exhibits a distinct change in performance this indicates a need for service.
19. Replacement Parts. When replacement parts are required, be sure the service technician has used replacement parts specified by the manufacturer or that the parts have the same characteristics as the original part. Unauthorized substitutions may result in fire, electric shock or other hazards.
20. Safety Check. Upon completion of any service or repairs to this product, ask the service technician to perform safety checks to determine that the products are in proper operating condition.
21. Carts and Stands. The appliances should be used only with a cart or stand that is recommended by the manufacturer. An appliance and cart combination should be moved with care. Quick stops, excessive force, and uneven surfaces may cause the appliance and cart combination to overturn. Use caution when moving the cart/apparatus combination to avoid injury from tip-over.
22. This product is not intended for use outdoors.



Safe Limits of Operation

Polk specifies the recommended amplification range for each of its passive (non-amplified) loudspeakers. Typically that specification will be expressed as a range of power such as 20-200 Watts (per channel). It is important to understand what those numbers mean when choosing a receiver or amplifier for your Polk loudspeakers. The lower number indicates the lowest continuous rated power that will yield acceptable performance in a typical listening environment. The higher number indicates the highest per channel power that should be used with your Polk speakers. That number should not be confused with a "Power Handling" specification, and it does not imply that the speaker will safely handle that full amount of power on a long-term basis. We specify a wide range of power ratings because not all electronics manufacturers use the same method for rating power. In fact, high quality lower-rated amplifiers sound better and play louder than low quality units with higher power rating.

Similarly, we recommend using amplifiers and receivers with rated power above the Power Handling limits of our speakers because having extra power available for short term peaks is conducive to better sound quality, maximum dynamic range and effortless high volume output. But we strongly urge you not to use the full power of your amplifier or receiver for daily listening.

Loudspeakers can be damaged when an amplifier, regardless of its wattage, is made to play at higher listening levels than its power can clearly produce. Operation at this level can result in very high levels of audible distortion originating in the amplifier, which can add a harsh, gritty sound to your listening material. If you hear distortion—turn the volume down or risk damaging your speakers. You can damage just about any speaker, regardless of power rating, if you drive an amplifier to or beyond the point of distortion.

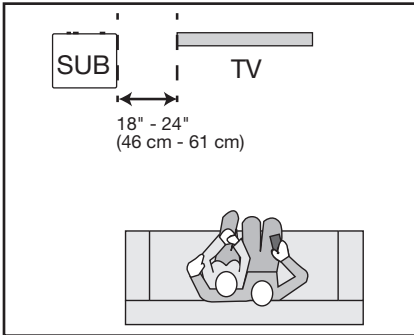
Product Disposal

Certain international, national and/or local laws and/or regulations may apply regarding the disposal of this product. For further detailed information, please contact the retailer where you purchased this product or the Polk Importer/Distributor in your country. A listing of Polk Importer/ Distributors can be found on the Polk website www.polkaudio.com or by contacting Polk at: 5601 Metro Drive, Baltimore, Maryland 21215, USA. Phone: 1-410-358-3600; in California: 1-800-377-7655.



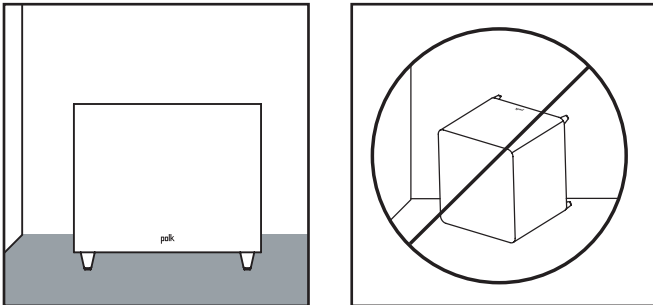
Placing Your Subwoofer in a Room

Your PSW Series subwoofer is not magnetically shielded. Do not place near video monitors. (LCD, DLP and Plasma televisions are not affected by magnetism.) Allow at least 18" (45cm) of space between your subwoofer and any television, but if you do notice video distortion or discoloration, immediately move the subwoofer away from the TV.



Your PSW Series subwoofer offers many placement options: in an entertainment center, behind furniture, or next to a sofa or chair. You may place your subwoofer anywhere in the room, but you'll enjoy the best performance when it's on the same side of the room as your system's front speakers. Placing your subwoofer near a wall or in a corner will increase its loudness. When placing your subwoofer in the room, always place your subwoofer on its base feet side down. If you can at all avoid it, do not place your subwoofer next to an open door.

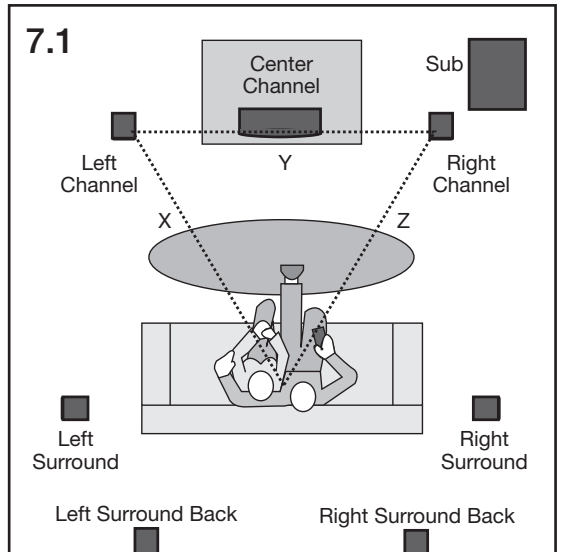
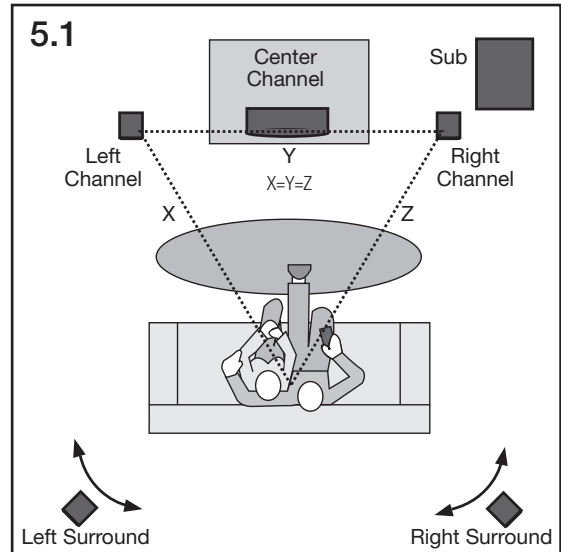
We do recommend placing your subwoofer in different locations within your room to learn what produces the best sound quality for your listening environment.



Suggested Speaker Placement

Suggested speaker placement with options for rear speaker placement. Subwoofer should be placed more than six inches from wall anywhere in the room.

Note: Additional satellite speakers may be purchased for 6.1, 7.1 or 9.2 surround systems by contacting Polk customer service at 1-800-377-7655.



System Hookup Options

Important: Use only one of these options. Never combine hookup options.

Option #1

Receivers that include a “Sub Out” feature—the most common hookup method with Dolby® Digital receivers.

Note that one of the speaker input terminals on the rear of the speaker is marked red (+) and the other black (-). Make certain that you connect the wire from the red (+) terminal of your receiver to the red (+) terminal on your speaker, and the wire from the black (-) terminal of the receiver to the black (-) terminal on your speaker. Speaker wire has some indication (such as color coding, ribbing, or writing) on one of the two conductors to help maintain consistency. If your subwoofer doesn't seem to produce much bass, it is most likely that one of the speaker wires is connected backwards. Double check all connections for correct polarity.

Note: Use either the L or R Line input (another hookup option is to use a Y-split cable and connect both L and R line inputs). After you make this sub out connection, turn the “Low Pass” filter fully clockwise.

Connect all speakers directly to the receiver. When using method #1, adjust your receiver's speaker configurations as follows: set front, center and surround speakers to “small.”

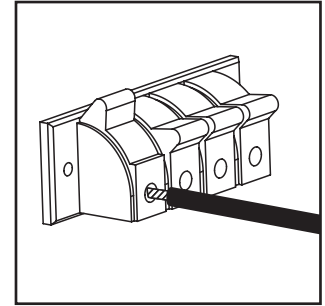
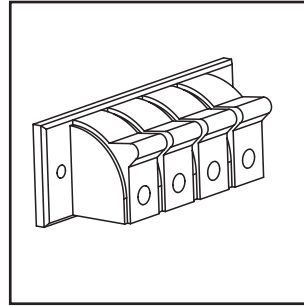
Receiver Settings:

Front, Center, and Surrounds = “SMALL”

Subwoofer = “ON,” or “YES,” or “PRESENT”

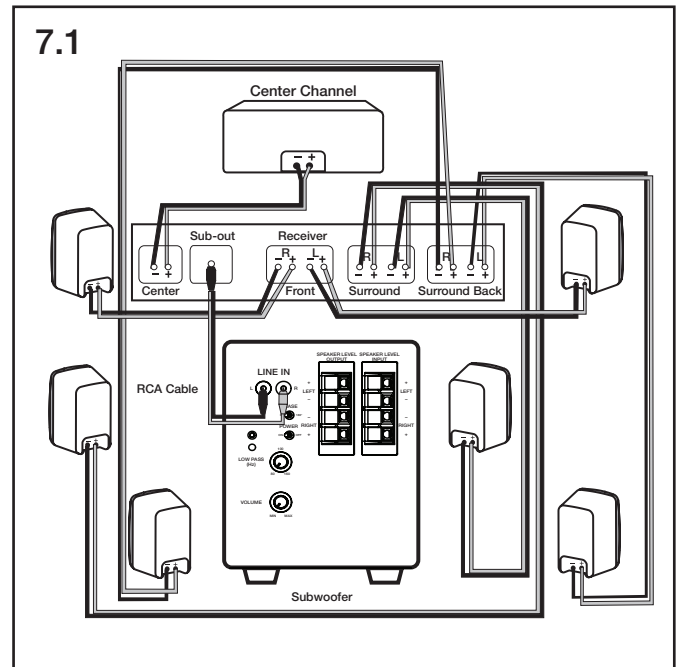
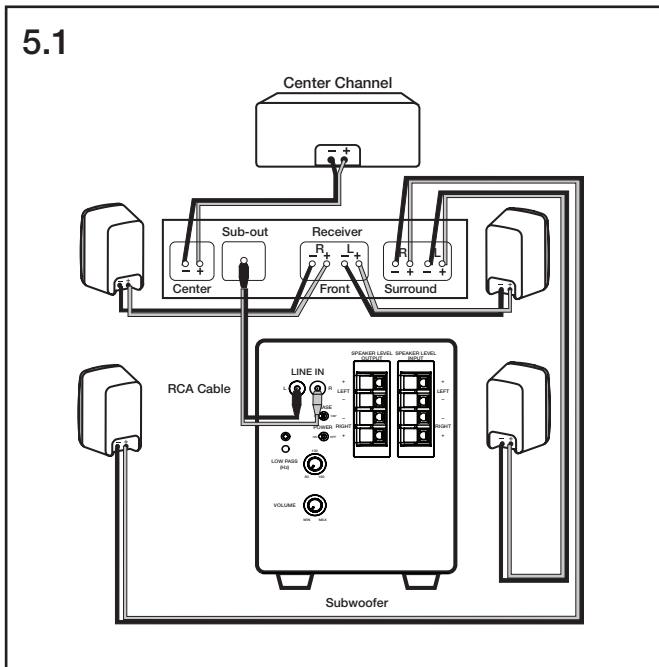
Set the crossover frequency on the receiver to 120 Hz.

Consult your receiver's owner's manual for speaker configuration.



Wire Recommendations

Runs	Gauge
Lengths up to 25'	18 or 16
Lengths greater than 25' but less than 50'	16 or 14
Lengths greater than 50' but less than 75'	14 or 12
Lengths greater than 75'	12



Option #2

Two channel or Dolby Pro Logic receiver with no "Sub Out."

If you elect to use the speaker level inputs, use two-conductor 16 gauge or thicker speaker wires. See your Polk dealer for wire recommendations.

Note that one of the speaker input terminals on the rear of the speaker is marked red (+) and the other black (-). Make certain that you connect the wire from the red (+) terminal of your receiver to the red (+) terminal on your speaker, and the wire from the black (-) terminal of the receiver to the black (-) terminal on your speaker. Speaker wire has some indication (such as color coding, ribbing, or writing) on one of the two conductors to help maintain consistency. If your subwoofer doesn't seem to produce much bass, it is most likely that one of the speaker wires is connected backwards. Double check all connections for correct polarity.

Strip 1/2" (12mm) of insulation from each of the two conductors on both ends to expose the bare wire. Twist the exposed wire of each conductor to form two unfrayed strands.

- Connect the left and right front speaker outputs of your receiver to the speaker level inputs of the powered subwoofer using speaker wire.
- Then, connect the left and right front speakers using speaker wire from the speaker level outputs from the powered subwoofer.
- Connect the center channel speaker directly to the center channel output from your receiver.
- Connect the rear surround satellites directly to the rear or surround channel outputs from your receiver.

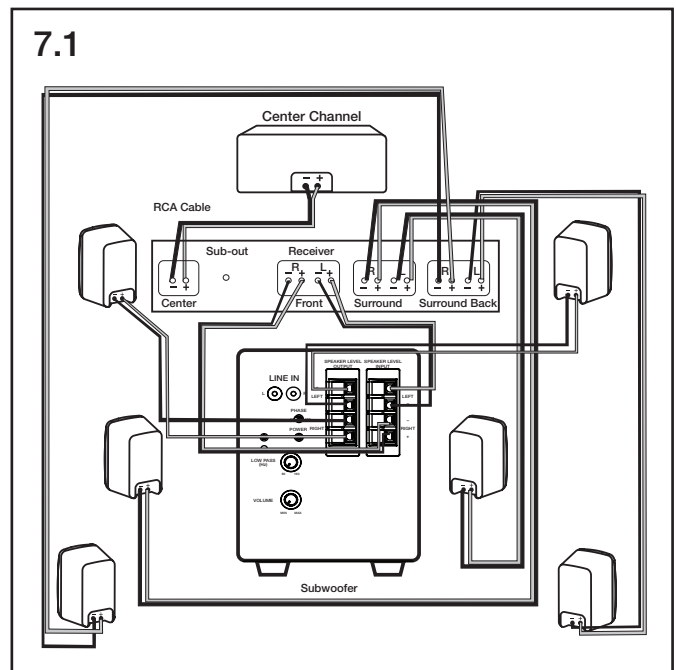
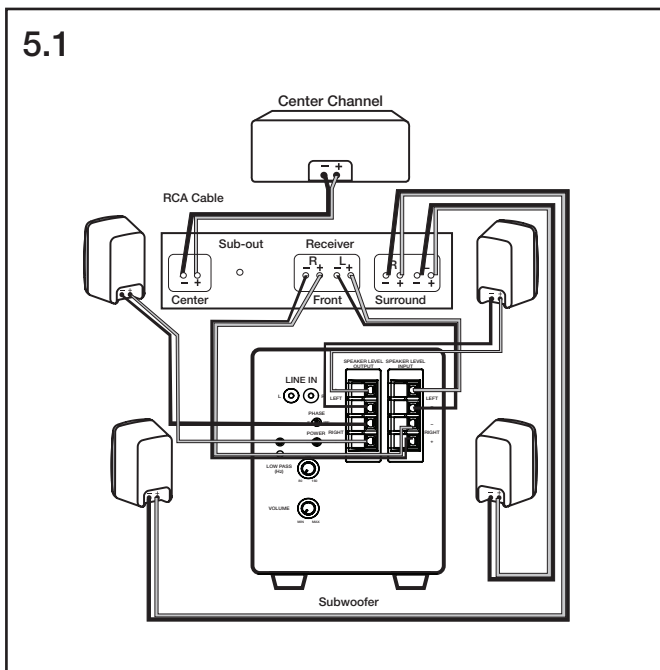
Receiver Settings:

Front speakers = LARGE

Subwoofer = "OFF" or "NO"

Center and Surrounds = SMALL

Crossover Frequency = 120 Hz



Adjusting Your System

Subwoofer Adjustments

Your powered subwoofer offers a range of setting options. We recommend the following settings as starting points, but the settings that are best for you depend upon your speaker placement, electronics and personal taste. After you've become familiar with what the settings do, experiment with alternate options to find the method that works best for your system setup. You'll find an informative article on "Subwoofer Positioning and Adjustment" in the set up section at: <http://www.polkaudio.com/polk-university/articles/bass-management-and-subwoofer-connections>.

Note: When you set up your subwoofer for the first time, you will probably have to make adjustments several times before you hear what you personally like. Start with the volume at 50%.

AC Power Connection and Auto On/Off

Your subwoofer features auto on/off circuitry, marked "auto" on the power switch, which automatically turns your subwoofer on when it senses a program signal. We recommend the "auto" setting if your subwoofer is always receiving power (ie, if it's plugged into a wall outlet).

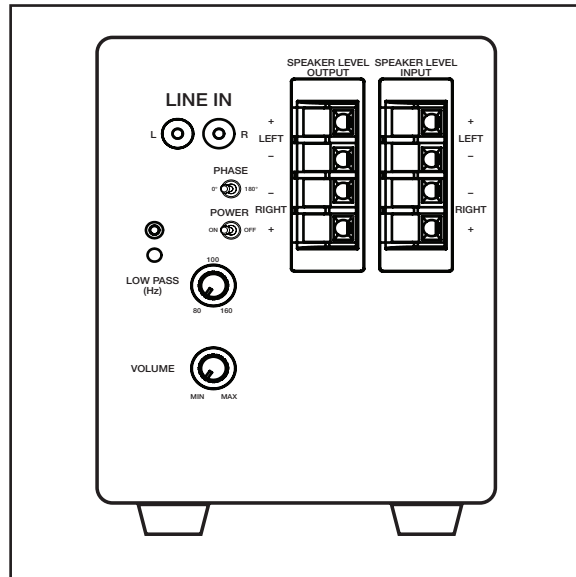
When no signal is present, the circuit turns the subwoofer off after 15 minutes. If you are concerned about the brief delay between when the music starts and when the subwoofer turns on, simply leave your subwoofer in the "On" position. You may want to leave your system unplugged during extended periods of non use, such as during a vacation.

Fine Tuning Your Subwoofer

- **Volume**—Adjust by ear using a wide variety of CDs and video sources. Adjust for deep, powerful bass without "boominess."
- **Low Pass**—**Note:** This control should be turned all the way up when the subwoofer is connected with Method #1 (LINE IN). This control adjusts the frequency range over which the subwoofer operates. If male vocals sound "thin," turn this control up until the voice sounds rich but not "boomy." If male vocals sound too "thick" or "chesty," turn this control down until the voice sounds natural.
- **Phase Switch**—Sit in your favorite listening position. Play music (not a movie) with a walking bass line. We recommend playing jazz or country music. Now listen carefully for the point at which the subwoofer transitions to your main speakers. This is the crossover point, and this point should be below the frequency of a male human voice. Whichever phase setting sounds louder or fuller at the subwoofer's crossover (transition) point is the optimum setting. Sometimes no difference will be heard.

Troubleshooting

No sound coming from subwoofer	If hookup is "Sub Out" to LINE IN, is your receiver set to "Subwoofer—yes" If hookup is via speaker wire, check that the polarity of the wires is correct.
Subwoofer doesn't sound right	If hookup is "Sub Out" to LINE IN, is your receiver set to "Subwoofer—yes" If hookup is via speaker wire, check that the polarity of the wires is correct.
Subwoofer has no power	Check outlet; check fuse after unplugging the subwoofer and calling customer service.



Rear Amp Panel

Power Switch Settings:

- On = Green LED
- Off = Red LED (no signal)
- Auto
- No signal = Red LED
- Signal = Green LED

Technical Assistance and Service

If, after following these hook up directions, you experience difficulty, please double-check all wire connections. Should you isolate the problem to the speaker, contact the authorized Polk Audio dealer where you made your purchase, or call Polk Audio's friendly Customer Service Department at 1-800-377-7655 (calls from US or CAN only), (Outside the US or CAN, 410-358-3600), 9am to 5:30pm EST, Monday through Friday. You may also contact us via email: polkcs@polkaudio.com. For more detailed hookup information and manual updates, visit: www.polkaudio.com.

Limited Warranty

Polk Audio, Inc., warrants to the original retail purchaser only. This warranty will terminate automatically prior to its stated expiration if the original retail purchaser sells or transfers the Product to any other party.

Polk Audio, Inc., warrants, to the original retail purchaser only, that the LOUDSPEAKER(S), PASSIVE CROSSOVER COMPONENT(S) and ENCLOSURE on this Polk Audio Loudspeaker Product will be free from defects in material and workmanship for a period of five (5) years from the date of original retail purchase from a Polk Audio Authorized Dealer.

Furthermore, Polk Audio, Inc., warrants, to the original retail purchaser only, that any AMPLIFIER OR OTHER ELECTRONIC COMPONENT that may be included in this Polk Audio Loudspeaker Product will be free from defects in material and workmanship for a period of three (3) years from the date of original retail purchase from a Polk Audio Authorized Dealer.

To allow Polk Audio to offer the best possible warranty service, please register your new product online at: www.polkaudio.com/registration or call Polk customer service 800-377-7655 in the USA and Canada (outside the USA: 410-358-3600) within ten (10) days of the date of original purchase. Be sure to keep your original purchase receipt.

Defective Products must be shipped, together with proof of purchase, prepaid insured to the Polk Audio Authorized Dealer from whom you purchased the Product, or to the Factory at 1 Viper Way Vista, CA 92081. Products must be shipped in the original shipping container or its equivalent; in any case the risk of loss or damage in transit is to be borne by you. If upon examination at the Factory or Polk Audio Authorized Dealer it is determined that the unit was defective in materials or workmanship at any time during this Warranty period, Polk Audio or the Polk Audio Authorized Dealer will, at its option, repair or replace this Product at no additional charge, except as set forth below. All replaced parts and Products become the property of Polk Audio. Products replaced or repaired under this warranty will be returned to you, within a reasonable time, freight prepaid.

This warranty does not include service or parts to repair damage caused by accident, disaster, misuse, abuse, negligence, inadequate packing or shipping procedures, commercial use, voltage inputs in excess of the rated maximum of the unit, cosmetic appearance of cabinetry not directly attributable to defect in materials or workmanship, or service, \repair, or modification of the Product which has not been authorized or approved by Polk Audio. This warranty shall terminate if the Serial number on the Product has been removed, tampered with or defaced.

This warranty is in lieu of all other expressed Warranties. If this Product is defective in materials or workmanship as warranted above, your sole remedy shall be repair or replacement as provided above. In no event will Polk Audio, Inc. be liable to you for any incidental or consequential damages arising out of the use or inability to use the Product, even if Polk Audio, Inc. or a Polk Audio Authorized Dealer has been advised of the possibility of such damages, or for any claim by any other party. Some states do not allow the exclusion or limitation of consequential damages, so the above limitation and exclusion may not apply to you.

All implied warranties on this Product are limited to the duration of this expressed Warranty. Some states do not allow limitation on how long an implied Warranty lasts, so the above limitations may not apply to you. This Warranty gives you specific legal rights, and you also may have other rights which vary from state to state.

This Warranty applies only to Products purchased in Canada, the United States of America, its possessions, and U.S. and NATO armed forces exchanges and audio clubs.

The Warranty terms and conditions applicable to Products purchased in other countries are available from the Polk Audio Authorized Distributors in such countries.

Français

Consignes de Sécurité Importantes

Ce produit a été conçu et fabriqué pour répondre à de strictes normes de qualité et de sécurité. Veuillez cependant porter attention aux consignes de sécurité suivantes se rapportant à son installation et à son utilisation.

1. Lisez toutes les consignes de sécurité et d'utilisation avant d'utiliser cet appareil.
2. Conservez les instructions de sécurité et d'opération pour référence future.
3. Observez les consignes contenues dans ce manuel et affichées sur le produit.
4. Suivez toutes les instructions d'opération et d'utilisation
5. Nettoyage. Débranchez l'appareil avant de le nettoyer. N'utilisez jamais de nettoyant liquide ou en aérosol. Utilisez un chiffon humide.
6. Accessoires. N'utilisez jamais d'accessoires non recommandés par le fabricant. Ils pourraient provoquer un danger.
7. Eau et humidité. N'utilisez jamais cet appareil près d'une source d'eau ou d'humidité—par exemple près d'une baignoire, d'un évier, d'un lavabo ou dans un sous-sol humide ou près d'une piscine ou autre source d'eau.
8. Accessoires. Ne placez jamais ce produit audio-visuel sur un charriot, socle, meuble ou support instable. Le produit pourrait tomber, s'endommager et/ou blesser grièvement un enfant ou un adulte. Utilisez uniquement un charriot, socle, meuble ou support spécifié par le fabricant ou vendu avec le produit. Toute installation du produit doit se faire selon les directives du fabricant et en utilisant des accessoires recommandés par le fabricant.
9. Aération. Les ouvertures et les fentes situées sur le boîtier préviennent la surchauffe et assurent la fiabilité du produit et ne doivent jamais être couvertes ou obstruées. Elles ne doivent jamais être obstruées en plaçant le produit sur un lit, un sofa, un tapis ou autre surface similaire. Ce produit ne doit jamais être installé sur ou à proximité d'un radiateur ou d'un registre de chaleur. Ce produit ne doit pas être installé dans un meuble, une bibliothèque ou un bâti à moins d'assurer une aération adéquate ou d'observer les directives du fabricant.
10. Alimentation CA. Ce produit ne doit être utilisé qu'avec le type d'alimentation CA spécifié sur l'étiquette apposée au produit. Si vous ne connaissez pas le type d'alimentation utilisé dans votre région, communiquez avec le revendeur du produit ou avec votre fournisseur local d'électricité.
11. Mise à la terre et polarisation. Ce produit est muni d'une fiche d'alimentation CA polarisée (une des deux broches étant plus large que l'autre). Cette fiche ne peut être insérée dans la prise de courant que d'une seule façon. C'est un dispositif de sécurité. Si vous ne parvenez pas à bien insérer la fiche dans la prise de courant, renversez-la. Si vous ne parvenez toujours pas à insérer la fiche dans la prise de courant, faites remplacer la prise obsolète par un électricien. Ne contournez jamais le dispositif de sécurité de mise à la terre de la fiche polarisée.
12. Protection du cordon d'alimentation CA. Les cordons d'alimentation CA doivent être disposés hors des zones passantes où ils risquent d'être écrasés, pincés ou endommagés, particulièrement à proximité des prises de courant, des blocs multiprises et à la sortie de l'appareil.
13. Foudre et surtension. Pour assurer la protection de ce produit contre la foudre ou la surtension lorsqu'il n'est pas utilisé pour de longues périodes, débranchez son cordon d'alimentation de la prise de courant CA et déconnectez le système de câble ou d'antenne.
14. Lignes électriques. Une antenne extérieure ne doit pas être installée à proximité de lignes électriques aériennes ou autres dispositifs électriques ou d'éclairage sur lesquels elle pourrait tomber. Lors de l'installation d'une antenne extérieure, il est impératif de vous assurer que cette dernière ne pourra jamais entrer en contact avec de tels dispositifs ou lignes électriques. Il pourrait y avoir danger de mort.
15. Surcharge. Ne surchargez jamais les prises de courant, les rallonges ou les blocs multiprises; cela pourrait constituer un risque d'incendie ou de choc électrique.
16. Objets et liquides. N'insérez jamais d'objets dans les ouvertures de ce produit. Ils pourraient entrer en contact avec des points de voltage dangereux ou provoquer des courts-circuits; cela pourrait provoquer un risque d'incendie ou de choc électrique. Ne renversez jamais de liquides sur le produit.
17. Service. Ne tentez jamais de réparer ce produit vous-même car ouvrir son boîtier ou en retirer le couvercle pourrait vous exposer à des voltages dangereux ou à d'autres dangers. Confiez tout service à un technicien qualifié.
18. Dommages et service. Débranchez l'appareil de la prise CA et contactez un réparateur qualifié lorsque:
 - a. le cordon d'alimentation a été endommagé.
 - b. un objet ou du liquide s'est introduit dans le produit.
 - c. le produit a été exposé à la pluie ou à de l'eau.
 - d. le produit ne fonctionne pas normalement selon les instructions du fabricant. Réglez uniquement les contrôles spécifiés dans le manuel de l'utilisateur car le réglage inapproprié de certains autres contrôles pourrait endommager le produit et requérir l'intervention d'un réparateur qualifié pour le remettre en ordre. le produit a subi une chute ou son boîtier a été endommagé.
 - e. le produit ne semble pas fonctionner normalement—ce qui indique la nécessité de service.

19. Pièces de rechange—Lorsque des pièces de rechange sont requises, assurez-vous que le technicien de service utilise des pièces de rechange spécifiées par le fabricant ou des pièces ayant les mêmes caractéristiques que les pièces d'origine. Des substitutions non autorisées risquent de provoquer un incendie, des chocs électriques ou d'autres dangers.
20. Contrôle de sécurité—Après chaque contrôle technique ou réparation de cet appareil, demandez au technicien d'effectuer un contrôle pour assurer que l'appareil est en bon état de fonctionnement.
21. Chariots et socles. Les appareils doivent être utilisés uniquement avec des chariots ou des socles recommandés par le fabricant. Un appareil sur chariot doit être déplacé avec soin. Des arrêts soudains, une poussée excessive ou une surface inégale pourraient provoquer le renversement du chariot avec risque de blessures.
22. Ce produit n'est pas conçu pour utilisation extérieure.



Limites D'Opération

Polk spécifie la marge de puissance d'amplification recommandée pour chacun de ses haut-parleurs non amplifiés. Cette spécification est typiquement exprimée en watts par canal (par ex. 20-200 W/canal). Il est important de bien comprendre la signification de ces chiffres avant de choisir un amplificateur pour vos haut-parleurs Polk. Le premier chiffre indique la puissance nominale minimum requise pour assurer une performance adéquate dans une pièce de dimensions normales. Le deuxième chiffre indique la puissance nominale maximum admissible par vos haut-parleurs – ce chiffre ne doit pas être confondu avec la spécification «capacité de puissance» et n'implique pas que le haut-parleur peut soutenir cette puissance de façon continue. Nous spécifions une marge de puissance d'amplification étendue parce que les fabricants de composants électroniques n'utilisent pas toujours la même méthode pour déterminer la puissance admissible. En fait, les amplificateurs moins puissants de qualité supérieure donnent un meilleur rendement que les amplificateurs plus puissants de qualité inférieure.

C'est pour cette même raison que nous vous recommandons d'utiliser un amplificateur ou un récepteur d'une puissance nominale plus élevée que la capacité de puissance spécifiée pour vos haut-parleurs. En effet, cette réserve de puissance leur permettra de reproduire les crêtes sonores momentanées sans peine et sans distorsion, assurant une gamme dynamique optimale et une performance maximale—même à haut volume. Il est quand même fortement déconseillé d'écouter votre chaîne audio «à fond la caisse» en tout temps.

Un haut-parleur peut être endommagé lorsqu'un amplificateur, quelle que soit sa puissance, est poussé au-delà de ses limites. L'amplificateur surchargé génère alors un niveau élevé de distorsion audible, le son devenant rauque et éraillé. Si vous entendez de la distorsion, baissez le volume sinon vous risquez d'endommager vos haut-parleurs. Un haut-parleur, quelle que soit sa capacité de puissance, risque d'être endommagé lorsque l'amplificateur est poussé au-delà de ses limites et génère de la distorsion.

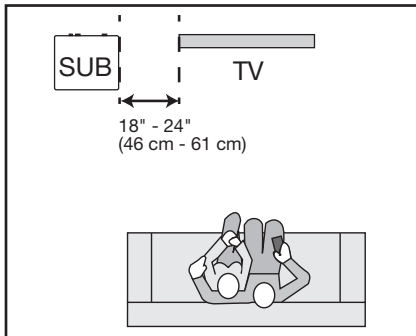
Récupération du Produit

Certaines lois ou certains règlements internationaux, nationaux et/ou régionaux pourraient s'appliquer à la récupération de ce produit. Pour plus d'information, communiquez avec le revendeur de ce produit ou avec l'importateur/distributeur de ce produit dans votre pays. Vous trouverez la liste des importateurs/distributeurs des produits Polk sur le site www.polkaudio.com ou en communiquant avec Polk: 5601 Metro Drive, Baltimore, Maryland 21215, USA—Tél.: +1 410 358-3600



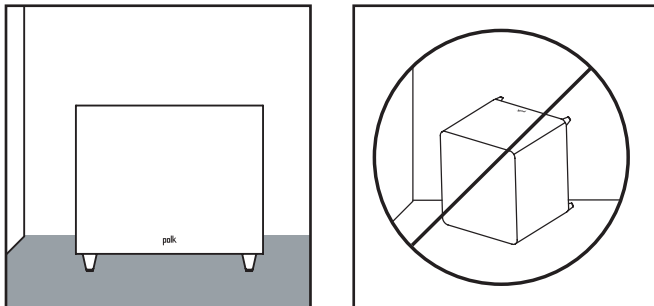
Où Installer votre Subwoofer

Votre subwoofer de Série PSW n'est pas blindé. Ne l'installez jamais à proximité d'un moniteur vidéo à écran cathodique (les écrans LCD, DLP et à plasma ne sont pas affectés par le magnétisme). Ne l'installez jamais à moins de 45 cm (18 po) d'un téléviseur. Si vous constatez de la distorsion ou de la décoloration vidéo, éloignez immédiatement votre subwoofer du téléviseur.



Vous pouvez installer votre subwoofer de Série PSW à peu près n'importe où dans la pièce—dans un meuble audio-vidéo, derrière le mobilier ou à côté d'un divan ou d'un fauteuil—mais vous obtiendrez de meilleurs résultats si vous l'installez du même côté de la pièce que vos enceintes principales avant. Sachez que le volume des graves est accentué lorsque vous placez le subwoofer au ras d'un mur ou dans un coin. Le subwoofer doit toujours être installé debout et sur ses pieds. Si possible, ne l'installez pas à proximité d'une porte ouverte.

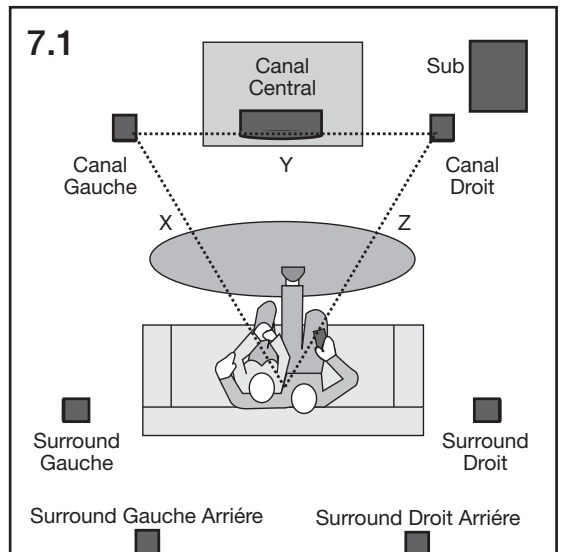
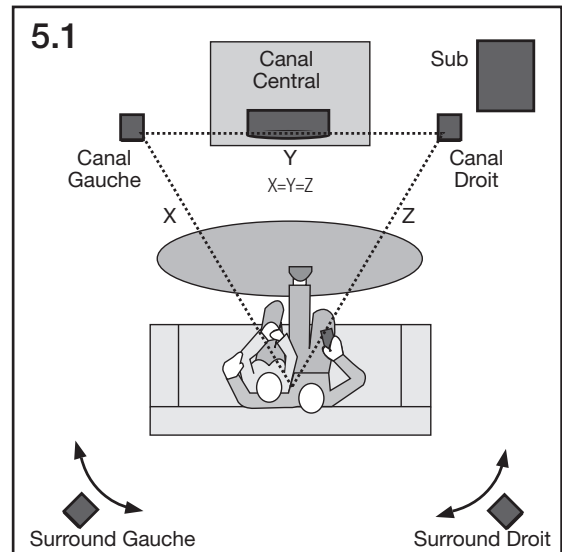
Expérimentez. Placez successivement votre subwoofer à différents endroits dans la pièce afin de déterminer sa position idéale pour le meilleur équilibre sonore possible.



Suggested Speaker Placement

Cette suggestion offre aussi des options d'emplacement pour les enceintes arrière. Le subwoofer doit être toujours placé à plus de 15 cm de n'importe quel mur.

Note: Vous pouvez vous procurer des enceintes satellites additionnelles pour systèmes 6.1, 7.2 ou 9.2 en contactant le Service à la Clientèle de Polk au: 1-800-377-7655.



Options de Connexion

Important: Utilisez une seule de ces options. Ne combinez jamais ces options de connexion.

Option #1

Récepteurs dotés de la fonction «Sub Out»—la méthode de raccord la plus courante pour récepteurs Dolby Digital.

Note: Les borne d'entrée h.-p. à l'arrière du subwoofer sont rouge (+) et noire (-). Assurez-vous de bien raccorder le fil provenant de la borne rouge (+) de votre récepteur à la borne rouge (+) de votre enceinte et le fil noir (-) provenant de la borne noire (-) de votre récepteur à la borne noire (-) de votre enceinte. La polarité de la plupart des câbles à deux conducteurs est codée (couleur, nervure ou écriture) pour faciliter son identification. Si votre subwoofer ne semble pas générer assez de graves, il est probable que la polarité d'un des câbles de haut-parleur soit inversée. Assurez-vous que la polarité de tous les conducteurs est respectée.

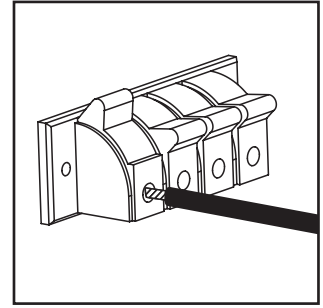
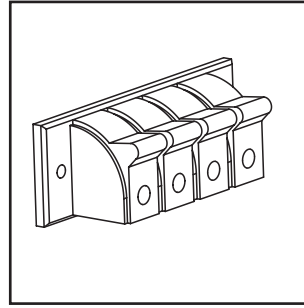
Note: Utilisez soit l'entrée L (gauche) ou R (droite)—vous pouvez aussi utiliser un adaptateur en Y pour jumeler les entrées de ligne L et R. Après avoir fait la connexion Sub Out, réglez le contrôle Low Pass au maximum dans le sens horaire.

Raccordez toutes les enceintes directement au récepteur. Pour l'option #1, réglez les contrôles de haut-parleurs de votre récepteur comme suit: «Small» (petit) pour les haut-parleurs «Front» (avant), «Center» (centre) et «Surround» (ambiophoniques).

Réglage du récepteur:

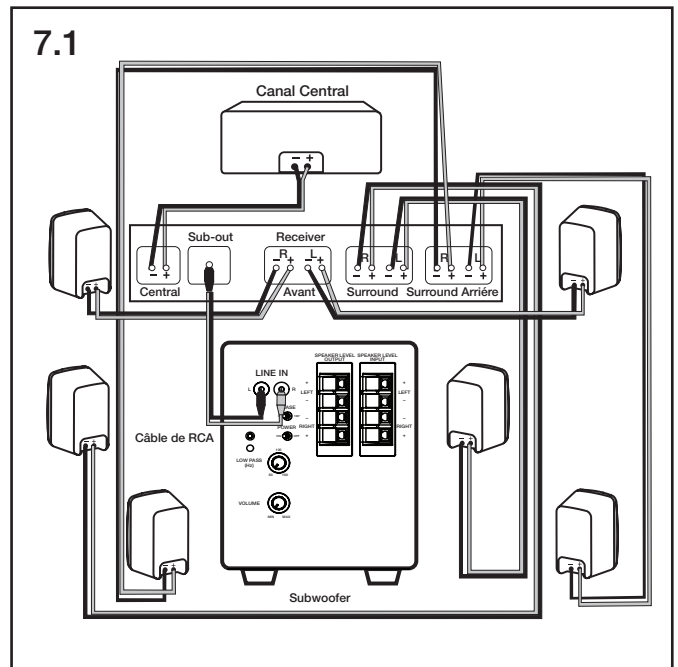
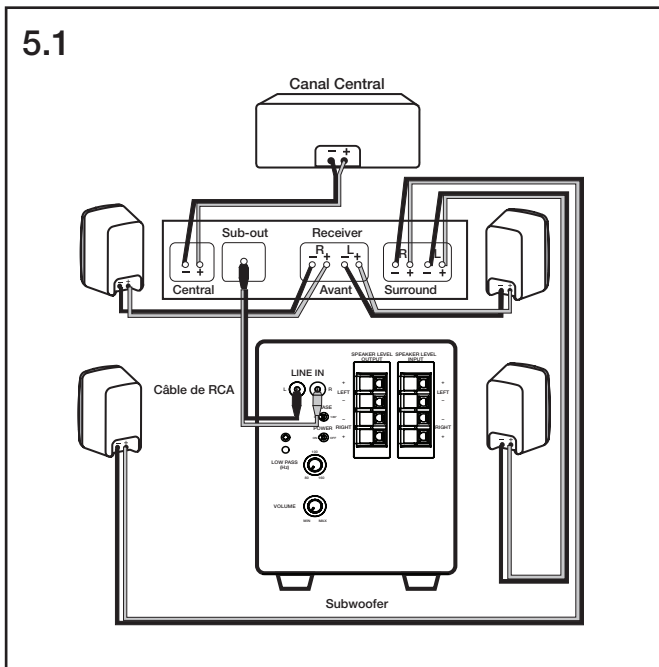
«Small» (petit) pour les haut-parleurs «Front» (avant), «Center» (centre) et «Surround» (ambiophoniques). Réglez le contrôle du subwoofer à «ON,» «YES,» ou «PRESENT.» Réglez le contrôle de la fréquence de séparation du récepteur à 120 Hz.

Consultez le manuel d'utilisation de votre récepteur pour établir la configuration de vos enceintes.



Type de câble: recommandations

Longueur	Calibre
Jusqu'à 8 m	18 ou 16
Plus de 8 m mais moins de 15 m	16 ou 14
Plus de 15 m mais moins de 22 m	14 ou 12
Plus de 22 m	12



Option #2

Récepteur stéréo ou Dolby Pro Logic sans sortie «Sub Out».

Si vous utilisez les entrées «speaker level» (niveau h.p.), utilisez du câble de haut-parleur à deux conducteurs de calibre 16 ou plus gros. Consultez votre revendeur Polk pour des conseils en matière de câblage.

Notez que les borne d'entrée haut-parleur à l'arrière du subwoofer sont rouge (+) et noire (-). Assurez-vous de bien raccorder le fil provenant de la borne rouge (+) de votre récepteur à la borne rouge (+) de votre enceinte et le fil noir (-) provenant de la borne noire (-) de votre récepteur à la borne noire (-) de votre enceinte. La polarité de la plupart des câbles à deux conducteurs est codée (couleur, nervure ou écriture) pour faciliter son identification. Si votre subwoofer ne semble pas générer assez de graves, il est probable que la polarité d'un des câbles de haut-parleur soit inversée. Assurez-vous que la polarité de tous les conducteurs est respectée.

Retirez 12 mm (1/2 po) d'isolation de chaque conducteur aux deux bouts du câble pour exposer les brins métalliques. Tordez les brins de chaque conducteur pour former deux torons non éraillés.

- Raccordez les sorties haut-parleur gauche et droite de votre récepteur aux entrées «speaker level» (niveau h.p.) de votre subwoofer avec du câble de haut-parleur.
- Raccordez ensuite les enceintes avant gauche et droite aux sorties «speaker level» (niveau h.p.) du subwoofer avec du câble de haut-parleur.
- Raccordez l'enceinte du canal central directement à la sortie du canal central (center channel) de votre récepteur.
- Raccordez les enceintes satellites arrière-ambiophoniques directement aux sorties des canaux arrière ou ambiophoniques (rear—surround) de votre récepteur.

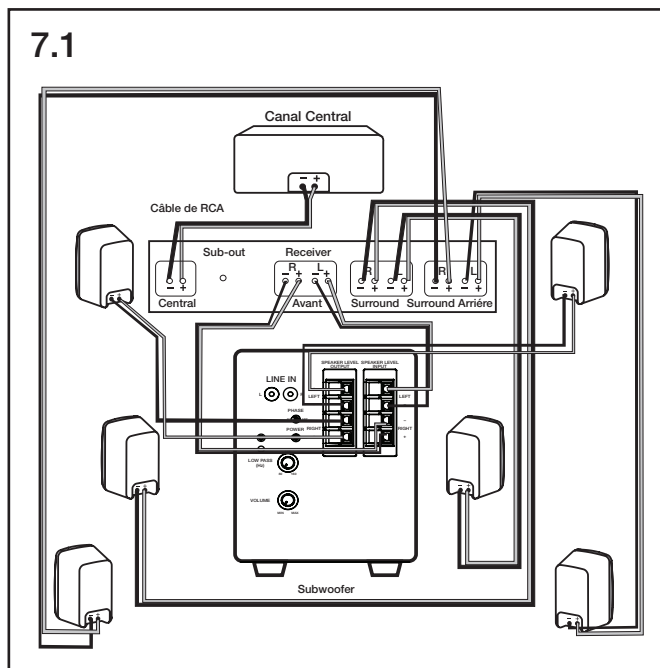
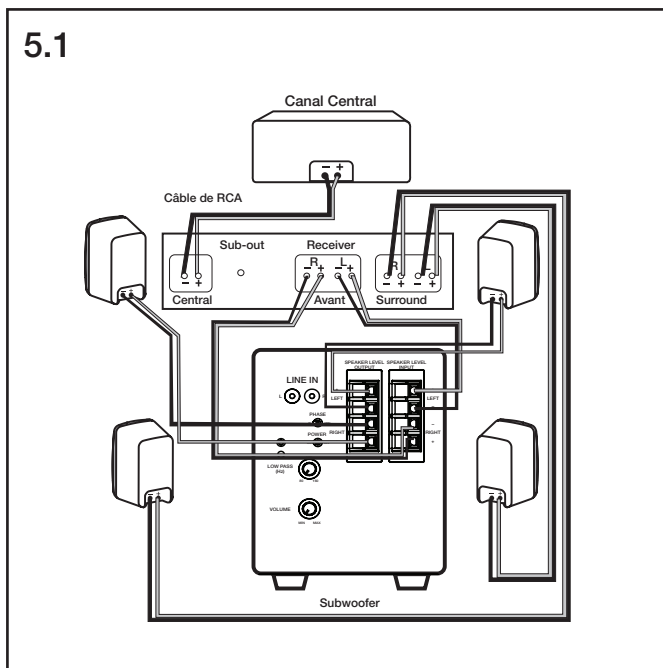
Réglage du récepteur:

Enceintes avant = «LARGE»

Subwoofer = «OFF» ou «ON»

Enceintes centrale et ambiophoniques = «SMALL»

Fréquence de séparation = 120 Hz



Réglage de votre Système

Réglage du Subwoofer

Votre subwoofer vous offre plusieurs options de réglage. Nous vous recommandons le réglage suivant comme point de départ mais le réglage idéal dépend de vos composants électroniques, de l'emplacement de vos enceintes et de vos préférences personnelles. Après vous être familiarisé avec les divers réglages et leurs effets, essayez différentes combinaisons jusqu'à ce que vous obteniez l'équilibre acoustique qui vous satisfait.

Vous trouverez un article informatif sur le réglage et le emplacement des subwoofers («Subwoofer Positioning and Adjustment») dans la section «set up» du site suivant: <http://www.polkaudio.com/polk-university/articles/bass-management-and-subwoofer-connections>.

Note: Lorsque vous installez votre subwoofer pour la première fois, il est normal d'essayer plusieurs réglages avant d'obtenir le son qui vous satisfait. Commencez avec le volume à 50%.

Branchement au Secteur ca et Circuit «Auto On/Off»

Votre subwoofer est doté d'un circuit de mise sous-hors tension «auto on/off» automatique identifié par «auto» sur l'interrupteur. Il met votre subwoofer sous tension lorsqu'il détecte la présence d'un signal audio et le met hors tension après 15 minutes d'absence de signal. La position «auto» est recommandée lorsque votre subwoofer est branché en permanence dans une prise de courant active.

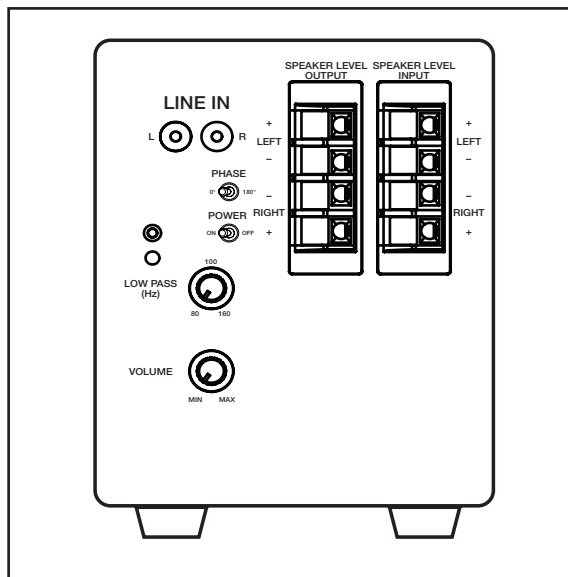
Si vous désirez éviter le court délai qui peut parfois se produire entre le début de la musique et la mise sous tension du subwoofer, laissez tout simplement le subwoofer à la position «ON». Il est recommandé de débrancher votre subwoofer du secteur lors de périodes de non-utilisation prolongées (comme des vacances).

Réglage Précis de votre Subwoofer

- **Volume**—Réglez le volume du subwoofer à l'oreille en écoutant une variété de CD et de sources vidéo. Recherchez des graves puissants et profonds mais sans résonance induite ou grondement excessif.
- **«Low Pass» (passe-bas)**—Ce contrôle doit être réglé au maximum lorsque le subwoofer est raccordé selon l'option #1 «LINE IN»). Ce contrôle détermine la gamme de fréquences reproduite par le subwoofer. Si les voix masculines semblent trop «minces», montez ce contrôle jusqu'à ce que le son des voix soit naturel et chaleureux mais sans résonance induite. Si le son des voix masculines semble trop «gras» ou «pâteux» baissez ce contrôle jusqu'à ce que le son soit naturel et bien équilibré.
- **Commutateur de phase**—Asseyez-vous à votre position d'écoute préférée. Faites jouer de la musique (pas un film) contenant une ligne de basse rythmique continue, comme du jazz ou du «country.» Écoutez attentivement et tentez de déterminer à quelle fréquence les graves du subwoofer s'entrecroisent avec les graves de vos enceintes principales. C'est le point de croisement des fréquences—qui devrait toujours être sous les fréquences inférieures d'une voix masculine. Réglez le commutateur de phase à la position qui donne le meilleur équilibre entre le subwoofer et les enceintes principales. En certains cas il n'y aura presque pas de différence entre les deux positions.

Guide de Dépannage

Le subwoofer n'émet aucun son	Si le raccord est «Sub Out» à «LINE IN», votre récepteur est-il réglé à «subwoofer—oui» («Subwoofer—yes»)? Si le raccord est par câbles de h.-p., assurez-vous que la polarité est respectée.
Le subwoofer émet un son médiocre	Si le raccord est «Sub Out» à «LINE IN», votre récepteur est-il réglé à «subwoofer—oui» («Subwoofer—yes»)? Si le raccord est par câbles de h.-p., assurez-vous que la polarité est respectée.
Le subwoofer ne s'allume pas	Vérifiez la prise de courant. Débranchez le subwoofer et vérifiez son fusible.



Panneau Arrière Amplificateur

Réglage du commutateur:

On (marche) = DEL verte
Off (arrêt) = DEL rouge (pas de signal)
Auto
Pas de signal = DEL rouge
Signal = DEL verte

Service ou Assistance Technique

Si, après avoir suivi toutes les instructions, vous éprouvez toujours des difficultés, vérifiez de nouveau tous les raccords et connexions. Si vous en concluez que le problème est relié à l'enceinte, communiquez avec votre revendeur Polk ou contactez le Service à la Clientèle de Polk au 1-800-377-7655 (Canada ou É.-U. seulement), du lundi au vendredi, de 9h00 à 17h30, HNE. À l'extérieur des É.U. et du Canada, composez le: 410-358-3600.

Garantie Limitée

La garantie de Polk Audio, Inc., n'est valide que pour l'acheteur au détail original. La garantie sera automatiquement annulée avant sa date d'expiration spécifiée si l'acheteur original vend ou transfère le produit à tout autre parti.

Polk Audio, Inc., garantit - à l'acheteur au détail original seulement - que le ou les HAUTPARLEUR(S), COMPOSANTE(S) DE FILTRE PASSIF et CAISSON(S) de ce produit Polk Audio seront exempts de tout défaut attribuable aux pièces d'origine et à la main d'oeuvre pour une période de cinq (5) ans à partir de la date de l'achat au détail original chez un revendeur agréé Polk Audio.

En outre, Polk Audio, Inc., garantit - à l'acheteur au détail original seulement - que TOUT AMPLIFICATEUR OU TOUT AUTRE COMPOSANTE ÉLECTRONIQUE qui pourrait faire partie ce produit Polk Audio sera exempt de tout défaut attribuable aux pièces d'origine et à la main d'oeuvre pour une période de trois (3) ans à partir de la date de l'achat au détail original chez un revendeur agréé Polk Audio.

Pour permettre à Polk Audio de vous offrir le meilleur service de garantie possible, veuillez enregistrer votre nouveau produit en ligne à l'adresse web: www.polkaudio.com/registration - ou contactez le Service à la Clientèle de Polk au 800-377-7655 aux États-Unis et au Canada (à l'extérieur des É.U.: 410-358-3600) dans les dix (10) jours suivant la date de l'achat original. Assurez-vous de conserver votre reçu d'achat original.

Les produits défectueux doivent être expédiés, avec une preuve d'achat, francs de port et assurés, au revendeur agréé Polk Audio de qui vous avez acheté le produit, ou à l'usine Polk Audio, 1 Viper Way Vista, CA 92081.

Les produits doivent être expédiés dans leur carton d'expédition original ou dans un contenant équivalent. Le propriétaire doit assumer tout risque de perte ou de dommage en transit. Si, suite à l'examen du produit à l'usine Polk ou chez le marchand agréé Polk Audio, il est déterminé que la défectuosité est imputable aux matériaux d'origine ou à la main d'oeuvre au cours de la période de la garantie spécifiée, Polk Audio ou le revendeur Polk Audio, à sa guise, réparera ou remplacera le produit sans frais additionnels et selon les conditions décrites ci-dessous.

Toute pièce ou produit remplacé devient la propriété de Polk Audio. Les produits réparés ou remplacés sous la garantie vous seront expédiés francs de port dans un délai raisonnable.

Cette garantie n'inclut pas le service ou les pièces nécessaires à la réparation des dommages provoqués par accident, désastre, abus, négligence, mode d'expédition ou emballage inadéquat, utilisation commerciale, tensions supérieures au maximum prescrit pour l'unité, aspect visuel du meuble non directement attribuable à un défaut de pièces d'origine ou de main d'oeuvre, ou par le service, la réparation, ou toute modification du produit qui n'a pas été autorisé ou approuvé par Polk Audio. Cette garantie sera annulée si le numéro de série sur le produit a été enlevé, altéré ou falsifié.

Cette garantie prend préséance sur toutes autres garanties énoncées. Si la défectuosité de ce produit est imputable aux pièces d'origine ou à la main d'oeuvre selon les conditions de la garantie exprimées ci-dessus, votre seul recours sera la réparation ou le remplacement selon les conditions décrites ci-dessus. Dans aucun cas Polk Audio, Inc. pourra-t-elle être tenue responsable pour tout dommage accessoire ou indirect causé par l'utilisation ou par l'incapacité d'utilisation du produit, même si Polk Audio, Inc. ou un revendeur agréé Polk Audio, a été avisé de la possibilité de tel dommage, ou pour toute réclamation par tout autre parti.

Certains états ne permettant pas l'exclusion ou la limitation des dommages indirects, les limitations et exclusions exprimées ci-dessus pourraient ne pas s'appliquer dans votre cas.

Toutes les garanties tacites sur ce produit sont limitées à la durée de la garantie énoncée. Certains états ne permettant pas la limitation de la durée d'une garantie tacite, les limitations ci-dessus pourraient ne pas s'appliquer dans votre cas. Cette garantie vous accorde des droits légaux spécifiques; vous pourriez également avoir d'autres droits qui pourraient varier d'état en état.

Cette garantie s'applique seulement aux produits achetés au Canada, aux États-Unis d'Amérique et ses possessions, et dans les clubs audio et d'échange des forces armées des É.U. et de l'OTAN. Les modalités et les conditions de garantie applicables aux produits achetés dans d'autres pays sont disponibles chez les distributeurs agréés Polk Audio établis dans ces pays.

Instrucciones Importantes de Seguridad

Este producto ha sido diseñado y fabricado para satisfacer estrictas normas de calidad y seguridad. Sin embargo, hay ciertas precauciones de operación e instalación que usted debe tener en cuenta en particular.

1. Lea las instrucciones. Todas las instrucciones de seguridad y operación deben leerse antes de operar el sistema.
2. Guarde las instrucciones. Las instrucciones de seguridad y operación deben guardarse para poder consultarlas en el futuro.
3. Respete las advertencias. Todas las advertencias escritas en los aparatos y en las instrucciones de operación deben respetarse.
4. Siga las instrucciones. Todas las instrucciones de operación y uso deben seguirse.
5. Limpieza. Antes de limpiar el aparato, desenchúfelo del tomacorriente. No use limpiadores líquidos ni en aerosol. Limpie el producto con un paño húmedo.
6. Agregados. No utilice agregados que el fabricante del producto no haya recomendado, porque pueden causar peligros.
7. Agua y humedad. No use el aparato cerca del agua; por ejemplo, cerca de una bañera, lavabo, fregadero de cocina o lavandería, en un subterráneo húmedo, ni cerca de una piscina o lugares similares.
8. Accesorios. No coloque el aparato en carritos, pedestales, trípodes, soportes o mesas inestables. El producto de audio/video puede caerse y causar lesiones graves a niños o adultos y daños graves al producto. Use el aparato solamente con el carrito, pedestal, trípode, soporte o mesa recomendado por el fabricante o vendido con el aparato. Todo montaje del aparato se debe hacer siguiendo las instrucciones del fabricante y con los accesorios de montaje recomendados por el fabricante.
9. Ventilación. Las ranuras y aberturas de la caja son para ventilar el aparato, asegurar su funcionamiento confiable y evitar que se sobrecaliente; por lo tanto, no se deben ni bloquear ni cubrir. Las aberturas no se deben bloquear nunca poniendo el aparato en una cama, un sofá, una alfombra u otra superficie similar. Este producto no se debe colocar nunca sobre un radiador o una rejilla de calefacción. Este producto no se debe instalar en una estructura empotrada, tal como una estantería o un librero, a menos que se le dé ventilación apropiada o se respeten las instrucciones del fabricante.
10. Fuentes de alimentación. Este producto debe funcionar conectado exclusivamente a una fuente de alimentación del tipo indicado en sus etiquetas. Si no está seguro del tipo de fuente de alimentación de su casa, consulte al distribuidor de aparatos o a la compañía local de electricidad.
11. (Sólo América del Norte) Conexión a tierra o polarización. Este producto viene equipado con enchufes de línea de alimentación de corriente alterna polarizados (una pata más ancha que la otra). Como medida de seguridad, este enchufe entra en el tomacorriente de una manera solamente. Si no puede insertar completamente el enchufe, déle vuelta. Si aun así no entra, consulte a un electricista para que cambie el tomacorriente obsoleto. No anule la seguridad implícita en el enchufe polarizado.
12. Protección del cordón de alimentación. Encamine el cordón de alimentación de manera que sea poco probable que sea pisado o aplastado por objetos que se le coloquen encima o se le apoyen, en particular cerca del enchufe, cerca del tomacorriente y en el punto en que el cordón sale del aparato.
13. Rayos. Para aumentar la protección de este producto de audio/video durante una tormenta eléctrica, o cuando se deje solo o no se use durante largos períodos de tiempo, desenchúfelo del tomacorriente y desconecte la antena o el sistema de cable. Esto evitará daños al producto causados por rayos o subidas de voltaje.
14. Líneas de alta tensión. El sistema de antena exterior no debe colocarse cerca de líneas de alta tensión suspendidas u otros circuitos de alimentación o luz eléctrica, ni donde al caer pueda hacer contacto con tales líneas o circuitos de alimentación. Cuando instale un sistema de antena externa, debe tener sumo cuidado de evitar tocar tales circuitos o líneas de alta tensión, pues tal contacto puede ser mortal.
15. Sobrecarga. No sobrecargue los tomacorrientes ni las extensiones, pues esto puede dar como resultado un peligro de incendio o descarga eléctrica.
16. Entrada de objetos y líquidos. Nunca meta objetos de ningún tipo en este producto a través de las aberturas, pues pueden hacer contacto con puntos de voltajes peligrosos o hacer cortocircuitos que podrían causar un incendio o una descarga eléctrica. Nunca derrame líquidos de ningún tipo sobre este producto de audio/video.
17. Servicio. No intente hacerle servicio a este producto usted mismo, pues abrirlo o quitarle las cubiertas puede exponerlo a usted a voltajes peligrosos u otros peligros. Encargue todo servicio al personal de servicio calificado.
18. Daños que requieren servicio. Desenchufe el producto y encargue el servicio al personal de servicio calificado cuando:
 - a. Se haya dañado el enchufe o el cordón de alimentación.
 - b. Hayan caído líquidos u objetos dentro del aparato.
 - c. El producto haya sido expuesto a la lluvia o a la humedad.

- d. El producto haya dejado de funcionar normalmente a pesar de que se hayan seguido las instrucciones. Ajuste sólo los controles mencionados en las instrucciones de operación, pues ajustar incorrectamente otros controles puede causar daños y, a menudo, restablecer el funcionamiento normal del producto requerirá un extenso trabajo técnico calificado.
 - e. El producto se haya dejado caer o la caja haya sido dañada.
 - f. El producto manifieste un cambio notable de rendimiento; esto indica la necesidad de servicio.
19. Piezas de repuesto. Cuando se requieran piezas de repuesto, asegúrese de que el técnico de servicio haya utilizado las piezas de repuesto especificadas por el fabricante o que las piezas tengan las mismas características que la pieza original. Las sustituciones no autorizadas pueden dar como resultado un incendio, una descarga eléctrica u otros peligros.
 20. Revisión de seguridad. Al terminar cualquier servicio o reparación de este producto, pídale al técnico de servicio que lleve a cabo verificaciones de seguridad para determinar que el producto esté en buenas condiciones de funcionamiento.
 21. Carritos y pedestales. El aparato se debe utilizar solamente con el carrito o pedestal recomendado por el fabricante. Las combinaciones de aparato y carrito deben moverse cuidadosamente. Parar repentinamente, ejercer demasiada fuerza y pasar por superficies desniveladas puede hacer que la combinación de aparato y carrito se vuelque. Tenga cuidado cuando mueva la combinación de aparato y carrito para evitar lesiones causadas por volcamiento.
 22. Este producto no es para usar al aire libre.



Límites de Seguridad de Funcionamiento

Polk especifica el intervalo de amplificación recomendado para cada uno de sus altavoces pasivos (sin amplificación). Por lo general, la especificación se presenta en forma de intervalo de potencia, tal como 20 a 200 W (por canal). Es importante entender lo que estos números significan cuando se escoge un receptor o un amplificador para los altavoces Polk. El número inferior indica la potencia nominal continua mínima que produce fidelidad aceptable en un ambiente normal de audición. El número superior indica la potencia máxima por canal que se puede aplicar a los altavoces Polk. Estos números no se deben confundir con la especificación de "procesamiento de potencia" ni implican que el altavoz puede procesar con seguridad esa potencia total durante un largo período de tiempo. Especificamos una amplia gama de valores nominales de potencia porque los fabricantes de dispositivos electrónicos calculan la potencia nominal de diferentes maneras. De hecho, los amplificadores de alta calidad con baja potencia nominal suenan mejor y más fuerte que las unidades de baja calidad con alta potencia nominal.

De manera similar, recomendamos amplificadores y receptores con valores de potencia nominal por encima de los límites de procesamiento de potencia de nuestros altavoces, dado que disponer de potencia adicional para máximos de corta duración produce mejor calidad de sonido, máxima gama dinámica y salida de alto volumen sin esfuerzo. No obstante, recomendamos enfáticamente no escuchar música todos los días a la potencia máxima del amplificador o receptor.

Los altavoces se pueden dañar cuando el amplificador, independientemente de su potencia en vatios, funciona a niveles de audición mayores de los que su potencia puede producir claramente. El funcionamiento a este nivel puede dar como resultado alta distorsión audible originada en el amplificador, que puede agregar un sonido discordante y arenoso al material de audición. Si oye distorsión, baje el volumen o arriéguese a dañar los altavoces. Cualquier altavoz se puede dañar, independientemente de su potencia nominal, si el amplificador se hace funcionar más allá del punto de distorsión.

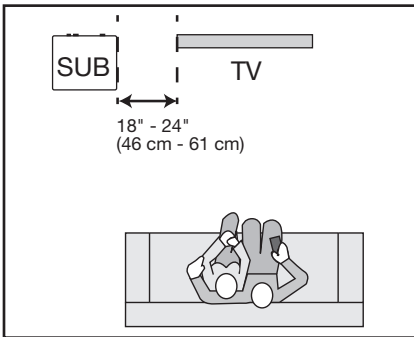
Eliminación del Producto

Es posible que haya leyes y/o reglamentos internacionales, nacionales y/o locales sobre la eliminación de este producto. Para obtener información más detallada, comuníquese con el distribuidor a quien le compró este producto de Polk o al importador o distribuidor en su país. Puede obtener una lista de importadores y distribuidores de Polk en el sitio Web de Polk, www.polkaudio.com, o comuni-cándose con Polk: 5601 Metro Drive, Baltimore, Maryland 21215, USA. Teléfono: +1 410 358-3600.



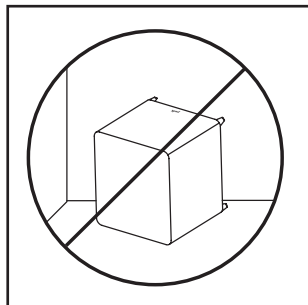
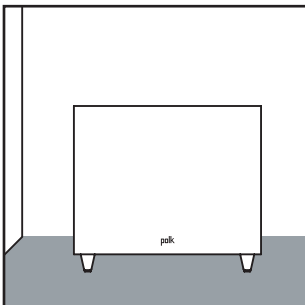
Colocación del Subwoofer en una Sala

Su subwoofer de la serie PSW no tiene blindaje magnético. No lo coloque cerca de monitores de video (el magnetismo no afecta a las pantallas de televisión de LCD, DLP y plasma). Deje por lo menos 45 cm (18 plg.) de separación entre el subwoofer y todo televisor pero, si nota distorsión o decoloración del video, aleje inmediatamente el subwoofer del televisor.



Su subwoofer de la serie PSW ofrece muchas opciones de colocación: en un centro de entretenimiento, detrás de un mueble o al lado de un sofá o sillón. Usted puede colocar el subwoofer en cualquier lugar de la sala, pero disfrutará del mejor rendimiento posible cuando esté en el mismo lado de la sala que su sistema de altavoces frontales. Poner el subwoofer cerca de la pared o en una esquina le aumenta el volumen. Cuando coloque el subwoofer en una sala, póngalo siempre sobre la base, con las patas hacia abajo. Si puede evitarlo, no coloque el subwoofer junto a una puerta abierta.

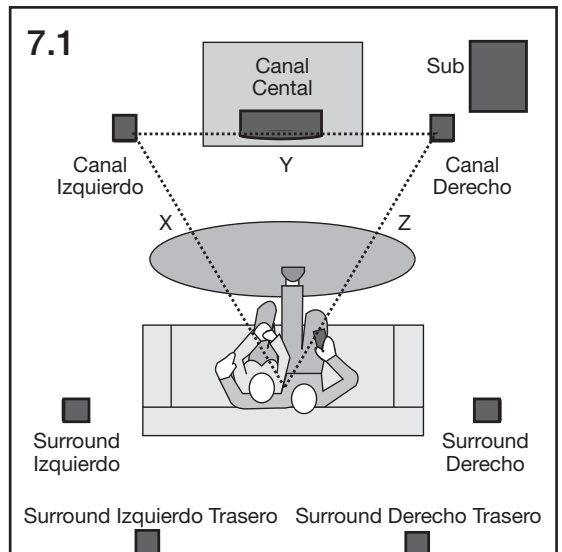
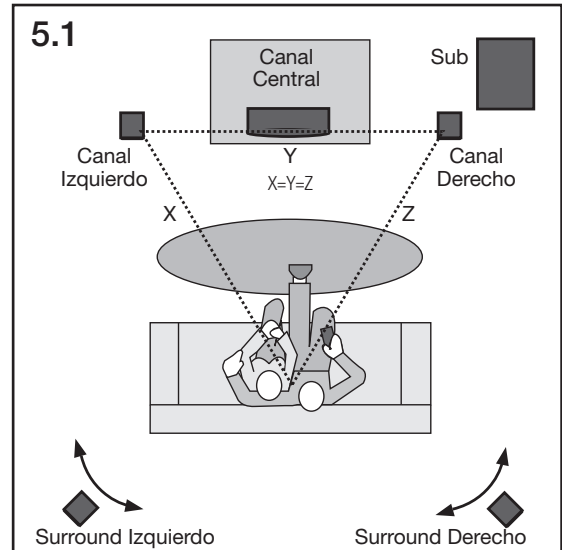
Recomendamos que ponga el subwoofer en diferentes lugares de la sala para descubrir el que produce la mejor calidad de sonido para su ambiente de audición.



Sugerencias para la Ubicación de Altavoces

Sugerencias para la ubicación de altavoces con opciones para la ubicación de los altavoces traseros. El subwoofer debe colocarse a más de seis pulgadas de la pared en cualquier lugar de la sala.

Nota: Se pueden comprar altavoces satélite adicionales para sistemas surround 6.1, 7.1 ó 9.2 llamando al Servicio al cliente de Polk, cuyo número es 1-800-377-7655.



Opciones de Cableado del Sistema

Importante: Aplique solamente una de las opciones.
No combine opciones de cableado.

Opción N° 1

Receptores con función de salida de subwoofer (SUB-OUT). Es el método de conexión más común para receptores con Dolby® Digital.

Nota: Observe que una de las terminales en la parte posterior del altavoz es roja (+) y la otra es negra (-). Conecte el cable de la terminal roja (+) del receptor a la terminal roja (+) del altavoz, y el cable de la terminal negra (-) del receptor a la terminal negra (-) del altavoz. El cable de altavoz tiene una indicación (código de colores, nervadura, texto, etc.) en uno de los dos conductores para facilitar la uniformidad de la instalación. Si el subwoofer parece no producir muchos bajos, lo más probable es que uno de los cables esté conectado al revés. Asegúrese bien de que todas las conexiones tengan la polaridad correcta.

Nota: Conecte la salida de subwoofer a la entrada de línea izquierda (L) o la entrada de línea derecha (R) (otra de las opciones es conectar la salida de subwoofer a las dos entradas de línea (L y R) con un cable divisor en Y). Después de hacer esta conexión de salida de subwoofer, gire el filtro de pasabajas (Low Pass) al máximo en el sentido de las manecillas del reloj.

Conecte todos los altavoces directamente al receptor. Cuando aplique el método N° 1, las configuraciones de altavoz del receptor deben ser las siguientes: altavoces frontales, central y surround en la posición SMALL (pequeño).

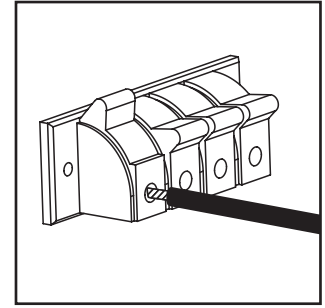
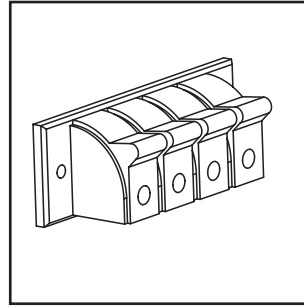
Configuraciones del receptor:

Altavoces frontales, central y surround: SMALL (pequeño).

Subwoofer: ON (encendido), YES (sí) o PRESENT (presente).

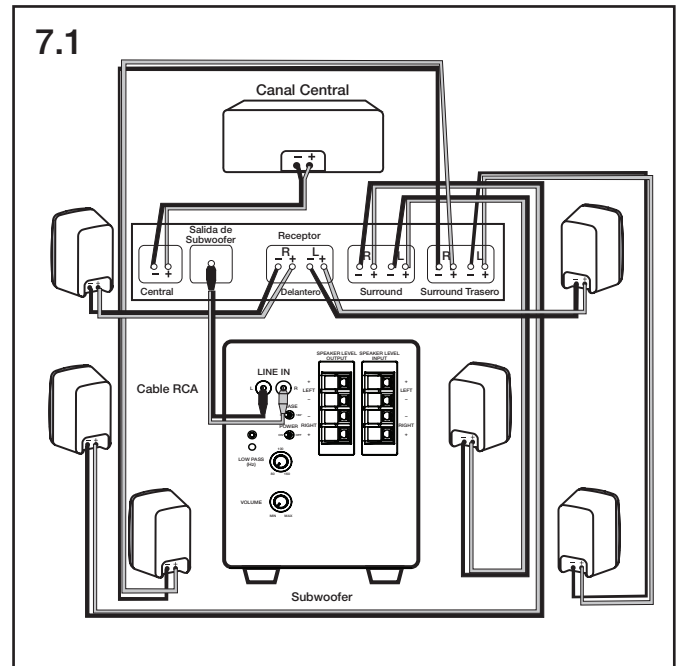
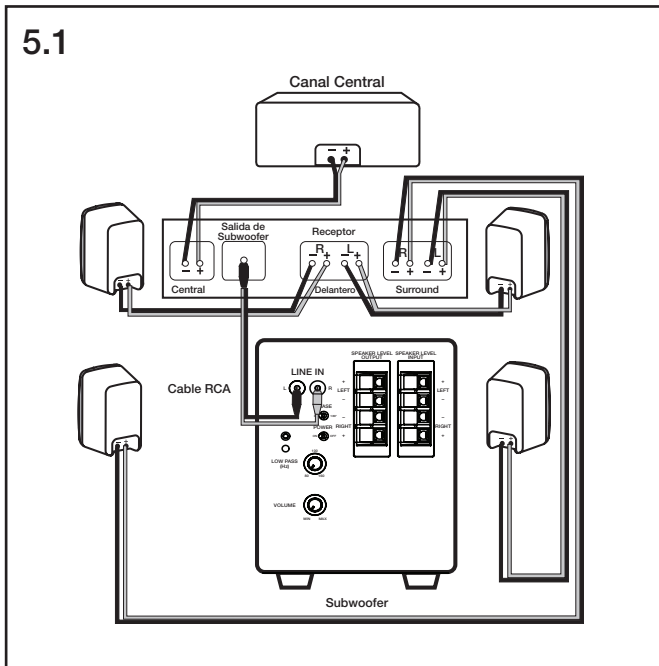
Fije la frecuencia de crossover del receptor en 120 Hz.

Consulte el manual del propietario del receptor para ver las configuraciones de altavoz.



Recomendaciones de Cable

Trayectos	Calibre
De hasta 25 pies	18 ó 16
Entre 25 y 50 pies	16 ó 14
Entre 50 y 75 pies	14 ó 12
Más de 75 pies	12



Opción N° 2

Receptor de dos canales o Dolby® Pro Logic sin función de salida de subwoofer (SUB-OUT).

Si decide conectar a las entradas de altavoz del subwoofer, hágalo con cables de altavoz de dos conductores de por lo menos calibre 16. Consulte a su proveedor Polk para obtener recomendaciones sobre los cables.

Observe que una de las terminales en la parte posterior del altavoz es roja (+) y la otra es negra (-). Conecte el cable de la terminal roja (+) del receptor a la terminal roja (+) del altavoz, y el cable de la terminal negra (-) del receptor a la terminal negra (-) del altavoz. El cable de altavoz tiene una indicación (código de colores, nervadura, texto, etc.) en uno de los dos conductores para facilitar la uniformidad de la instalación. Si el subwoofer parece no producir muchos bajos, lo más probable es que uno de los cables esté conectado al revés. Asegúrese bien de que todas las conexiones tengan la polaridad correcta.

Quítele 12 mm (1/2 plg.) de aislamiento a los extremos de cada uno de los cables para exponer el conductor. Retuerza el conductor expuesto de cada cable para formar dos hebras sin hilachas.

- Con cable de altavoz, conecte las salidas de altavoz frontales izquierda y derecha de su receptor a las entradas de altavoz del subwoofer alimentado.
- Luego, con cable de altavoz, conecte los altavoces frontales izquierdo y derecho a las salidas de altavoz del subwoofer alimentado.
- Conecte el altavoz de canal central directamente a la salida de altavoz central de su receptor.
- Conecte los satélites surround traseros directamente a las salidas de canales traseros o surround de su receptor.

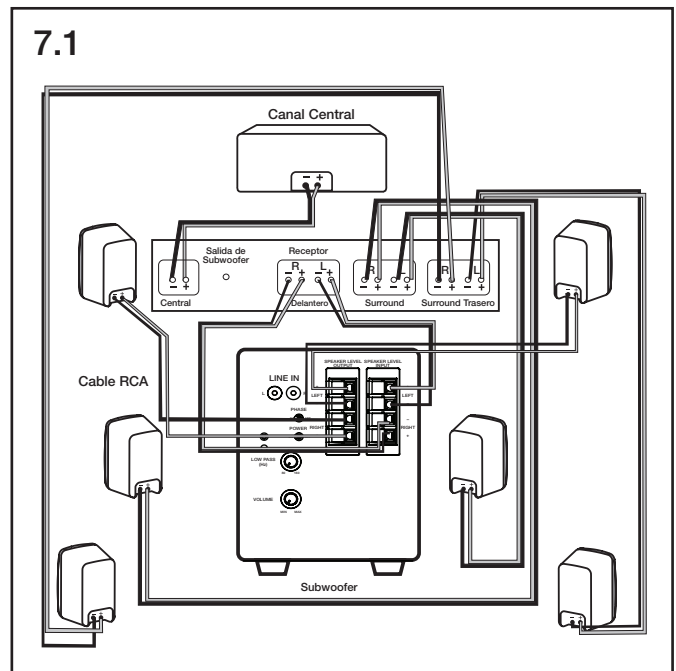
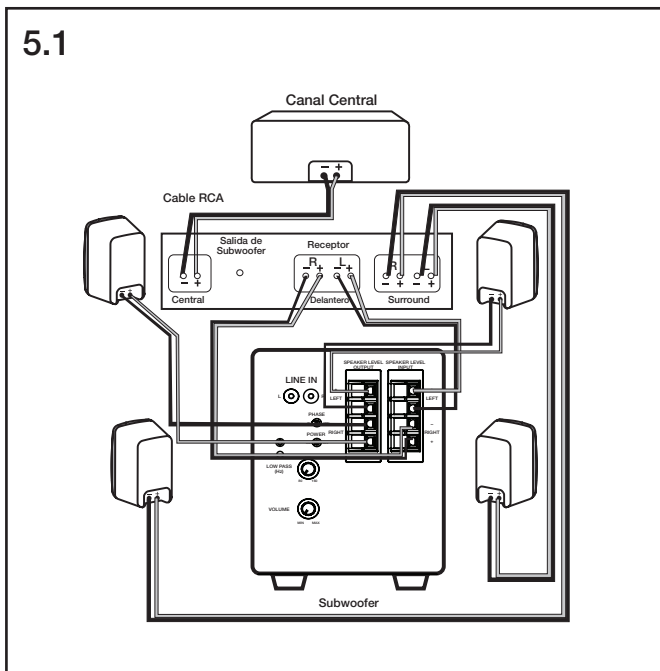
Configuraciones del receptor:

Altavoces frontales: LARGE (grande)

Subwoofer: OFF (apagado) o ON

Altavoces surround: SMALL (pequeño)

Frecuencia de crossover: 120 Hz



Ajuste del Sistema

Ajustes del Subwoofer

Su subwoofer alimentado ofrece una variedad de opciones de configuración. Recomendamos las siguientes configuraciones como puntos de partida, pero las mejores configuraciones para usted dependen de la colocación de sus altavoces, los componentes electrónicos y su gusto personal. Después de familiarizarse con lo que producen las configuraciones, experimente con opciones alternas a fin de encontrar la mejor configuración del sistema para usted. Hay un artículo informativo sobre ajuste y colocación de subwoofers en la sección de configuración del sitio Web <http://www.polkaudio.com/polk-university/articles/bass-management-and-subwoofer-connections>.

Nota: Cuando configure su subwoofer por primera vez, es probable que tenga que hacer ajustes varias veces hasta que oiga lo que personalmente le gusta. Comience con el volumen a 50%.

Conexión de Alimentación de Corriente Alterna y Apagado y Encendido Automático

Su subwoofer tiene circuitos de encendido y apagado automático, marcados con la palabra AUTO en el interruptor de alimentación, que encienden automáticamente el subwoofer cuando detectan la señal de un programa. Recomendamos que ponga el interruptor en la posición AUTO si el subwoofer recibe energía eléctrica continuamente (es decir, si está conectado a un tomacorriente).

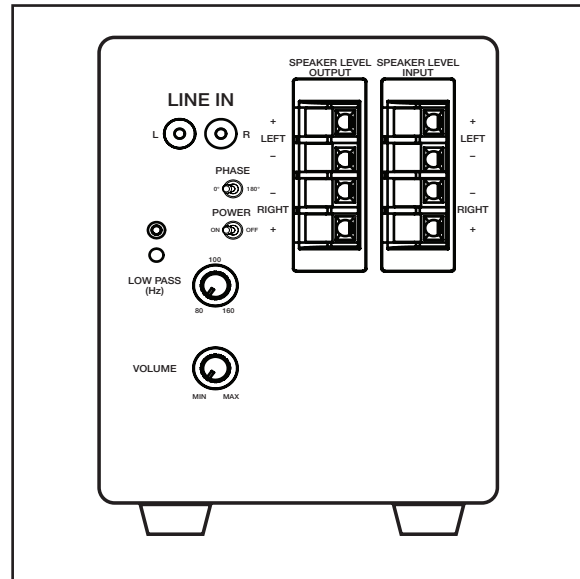
Cuando no hay señal, el circuito apaga el subwoofer después de 15 minutos. Si a usted le preocupa la breve demora entre el momento en que comienza la música y el momento en que se enciende el subwoofer, simplemente deje el subwoofer en la posición ON (encendido). Es recomendable dejar el sistema desenchufado durante largos períodos de tiempo en que no lo vaya a usar, como ocurre durante unas vacaciones.

Ajuste Preciso del Subwoofer

- **Volumen**—Ajuste de oído el volumen por medio de una extensa variedad de discos compactos (CD) y fuentes de video. Ajuste para obtener bajos profundos y potentes, sin “sonido retumbante.”
- **Pasabajas**—**Nota:** Este control se debe subir al máximo cuando el subwoofer esté conectado según el método 1 (LINE IN {entrada de línea}). Este control ajusta la gama de frecuencias en la cual funciona el subwoofer. Si las voces masculinas suenan “finas,” suba este control hasta que la voz suene fuerte sin retumbar. Si las voces masculinas suenan demasiado “gruesas” o “graves,” baje este control hasta que la voz suene natural.
- **Conmutador de fase**—Siéntese en su posición de audición favorita. Toque música (no la banda de sonido de una película) con una línea de bajos uniforme; recomendamos jazz o country. Esté atento al punto en que el subwoofer hace la transición a los altavoces principales. Éste es el punto de transición, y este punto debe estar por debajo de la frecuencia de la voz masculina. Cualquiera que sea la fase que produce el sonido más fuerte o más lleno en el punto de transición es el ajuste óptimo. A veces no se oye ninguna diferencia.

Detección y Resolución de Aterías

No sale sonido del subwoofer	Si el cableado es salida de subwoofer (SUB OUT) a LINE IN, ¿tiene su receptor la configuración “subwoofer—YES (sí)?” Si el cableado es por cable de altavoz, asegúrese de que la polaridad de los cables sea correcta.
El subwoofer no suena bien	Si el cableado es salida de subwoofer (SUB OUT) a LINE IN, ¿tiene su receptor la configuración de “subwoofer—YES (sí)?” Si el cableado es por cable de altavoz, asegúrese de que la polaridad de los cables sea correcta.
El subwoofer no tiene alimentación	Revise el enchufe; revise el fusible des-pués de desenchufar el subwoofer y llamar al servicio de atención al cliente.



Panel trasero del amplificador

Configuraciones del interruptor de alimentación:

Encendido (On) = Indicador luminoso verde
Apagado (Off) = Indicador luminoso rojo (no hay señal)
Auto
No hay señal = Indicador luminoso rojo
Hay señal = Indicador luminoso verde

Servicio y Asistencia Técnica

Si tiene problemas después de seguir las instrucciones de cableado, revise bien todas las conexiones de cables. Si determina que el problema está en el altavoz, póngase en contacto con el proveedor autorizado de Polk donde hizo su compra o llame al Departamento de Atención al Cliente de Polk al teléfono 1-800-377-7655 (solamente llamadas dentro de EE.UU. o Canadá). Fuera de EE.UU. y Canadá, llame al 410-358-3600 entre las 9 a.m. y las 6 p.m., hora del este, de lunes a viernes.



Polk Audio
5601 Metro Drive
Baltimore, Maryland 21215
(800) 377-7655

Polk Audio is a DEI Holdings, Inc. Company.
Polk is a trademark of Polk Audio, Inc.

HBP2796

Free Manuals Download Website

<http://myh66.com>

<http://usermanuals.us>

<http://www.somanuals.com>

<http://www.4manuals.cc>

<http://www.manual-lib.com>

<http://www.404manual.com>

<http://www.luxmanual.com>

<http://aubethermostatmanual.com>

Golf course search by state

<http://golfingnear.com>

Email search by domain

<http://emailbydomain.com>

Auto manuals search

<http://auto.somanuals.com>

TV manuals search

<http://tv.somanuals.com>